



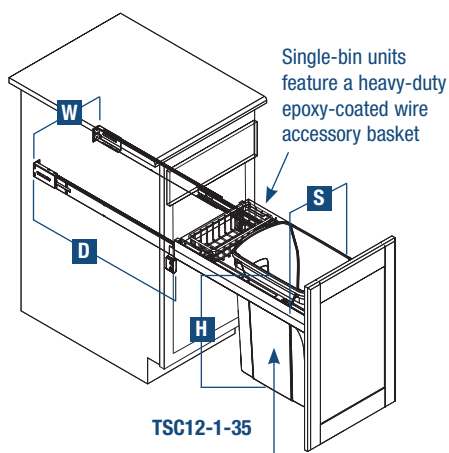
TSC12-1-35WH
(with optional QT35LB-W lid)



TSC15-2-35PT

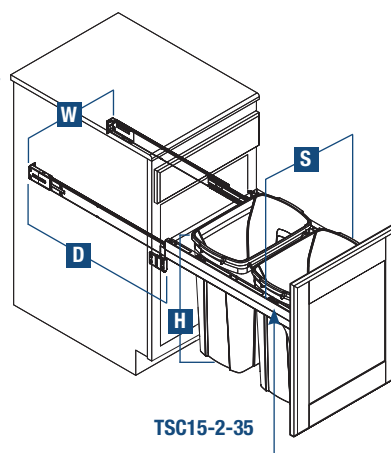
NEW! Soft-Close, Top-Mount Waste & Recycling Bins (door-mounted)

- KV® heavy-duty, full-extension ball bearing slides with soft-close technology
- Door-mount brackets include six-way adjustability for precise door alignment and easy installation
- Unique KV Face Frame Adapter Mounting Hardware accommodates 1-3/4" face frame cabinets by allowing for installation in openings 1/2" smaller than standard sizes (excluding TSC15-2-35PT and TSC15-2-35WH).



TSC12-1-35

New Bins and optional Lids (order Lids on page 14) fit securely into multi-ply birch veneered plywood with soft radius edges.



TSC15-2-35

Color coordinated steel decorative slide hardware covers provide strength and stability while concealing slide hardware, creating a streamlined, easy-to-clean design

Stock #	Sliding Assembly		Assembled Product Dimensions			Finish	Capacity per Bin	# Bins	Units per Carton	Weight per Carton
	S Width	W Width	H Height*	D Depth						
SINGLE BIN UNITS										
TSC12-1-35WH	11-13/16" [300 mm]	11-1/2" [292 mm]	17-1/2" [445 mm]	23-3/16" [589 mm]	White	35 Qt.	1	1	13.9 lbs. [6.3 kg.]	
TSC12-1-35PT	11-13/16" [300 mm]	11-1/2" [292 mm]	17-1/2" [445 mm]	23-3/16" [589 mm]	Platinum	35 Qt.	1	1	13.9 lbs. [6.3 kg.]	
TSC15-1-35WH	14-13/16" [376 mm]	14-1/2" [368 mm]	17-1/2" [445 mm]	23-3/16" [589 mm]	White	35 Qt.	1	1	14.7 lbs. [6.7 kg.]	
TSC15-1-35PT	14-13/16" [376 mm]	14-1/2" [368 mm]	17-1/2" [445 mm]	23-3/16" [589 mm]	Platinum	35 Qt.	1	1	14.7 lbs. [6.7 kg.]	
TSC15-1-50WH	14-13/16" [376 mm]	14-1/2" [368 mm]	21-5/8" [549 mm]	23-3/16" [589 mm]	White	50 Qt.	1	1	15.7 lbs. [7.1 kg.]	
TSC15-1-50PT	14-13/16" [376 mm]	14-1/2" [368 mm]	21-5/8" [549 mm]	23-3/16" [589 mm]	Platinum	50 Qt.	1	1	15.7 lbs. [7.1 kg.]	
DOUBLE BIN UNITS										
TSC15-2-35WH	14-13/16" [376 mm]	15" [381 mm]	17-1/2" [445 mm]	23-3/16" [589 mm]	White	35 Qt.	2	1	14.9 lbs. [6.8 kg.]	
TSC15-2-35PT	14-13/16" [376 mm]	15" [381 mm]	17-1/2" [445 mm]	23-3/16" [589 mm]	Platinum	35 Qt.	2	1	14.9 lbs. [6.8 kg.]	
TSC18-2-35WH	17-13/16" [452 mm]	17-1/2" [445 mm]	17-1/2" [445 mm]	23-3/16" [589 mm]	White	35 Qt.	2	1	15.6 lbs. [7.1 kg.]	
TSC18-2-35PT	17-13/16" [452 mm]	17-1/2" [445 mm]	17-1/2" [445 mm]	23-3/16" [589 mm]	Platinum	35 Qt.	2	1	15.6 lbs. [7.1 kg.]	

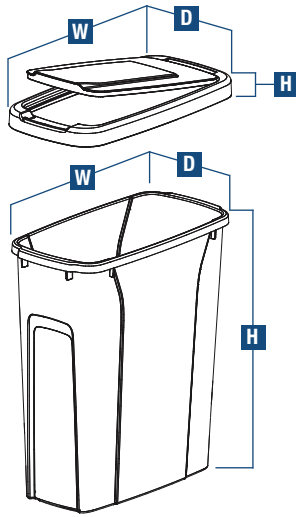
* If using lid, add 3/4".

30 lbs. maximum per bin, not to exceed 80 lbs. total weight. Not intended for bulk storage.





NEW! Replacement Bins and Lids



Replacement Bin Chart

Replaces Bin from Product Number	Stock #	Replaces Bin from Product Number	Stock #	Replaces Bin from Product Number	Stock #
BSC10-1-35PT	QT35PB-PT	PDMTM145-1-50WH	QT50PB-W	TSC12-1-35WH	QT35PB-WH
BSC10-1-35WH	QT35PB-WH	PDMTM15-2-35WH	QT35PB-WH	TSC15-1-35PT	QT35PB-PT
BSC12-1-50PT	QT50PB-P	PDMTM175-2-35WH	QT35PB-WH	TSC15-1-35WH	QT35PB-WH
BSC12-1-50WH	QT50PB-W	PDMTM18-2-35WH	QT35PB-WH	TSC15-1-50PT	QT50PB-P
BSC12-2-27WH	QT27PB-W	PDMTM21-2-35WH	QT35PB-WH	TSC15-1-50WH	QT50PB-W
BSC15-1-20PT	QT20PB-PT	PRC12-2-27-W	QT27PB-W	TSC15-2-35PT	QT35PB-PT
BSC15-1-20WH	QT20PB-WH	PRC24-4-27-W	QT27PB-W	TSC15-2-35WH	QT35PB-WH
BSC15-2-20PT	QT20PB-PT	PSW10-1-35WH	QT35PB-WH	TSC18-2-35PT	QT35PB-PT
BSC15-2-20WH	QT20PB-WH	PSW12-1-50-W	QT50PB-W	TSC18-2-35WH	QT35PB-WH
BSC15-2-35PT	QT35PB-PT	PSW15-1-20WH	QT20PB-WH	USC12-1-35PT	QT35PB-PT
BSC15-2-35WH	QT35PB-WH	PSW15-1-35WH	QT35PB-WH	USC12-1-35WH	QT35PB-WH
BSC15-3-20WH	QT20PB-WH	PSW15-2-20WH	QT20PB-WH	USC12-1-50PT	QT50PB-P
BSC15-3-20PT	QT20PB-PT	PSW15-2-35WH	QT35PB-WH	USC12-1-50WH	QT50PB-W
BSC24-4-27WH	QT27PB-W	PSW15-3-20WH	QT20PB-WH	USC15-2-35PT	QT35PB-PT
BSC9-1-20PT	QT20PB-PT	PSW9-1-20WH	QT20PB-WH	USC15-2-35WH	QT35PB-WH
BSC9-1-20WH	QT20PB-WH	RRC28K-W	QT32PB-W	PDMSH15-1-60-W	QT60PB-W
PDMTM115-1-35WH	QT35PB-WH	RRC28PT-W	QT32PB-W	PSH15-1-60-W	QT60PB-W
PDMTM12-1-35WH	QT35PB-WH	TSC12-1-35PT	QT35PB-PT		

Stock #	W Width	H Height**	D Depth	Finish	Description	Units per Carton	Weight per Carton
BINS							
QT20PB-WH	NEW!	14-15/16" [379 mm]	16" [406 mm]	7-1/4" [184 mm]	White	20 Qt.	6 12 lbs. [5.4 kg.]
QT20PB-PT	NEW!	14-15/16" [379 mm]	16" [406 mm]	7-1/4" [184 mm]	Platinum	20 Qt.	6 12 lbs. [5.4 kg.]
QT27PB-W		11-7/16" [291 mm]	17-3/4" [451 mm]	11-7/16" [291 mm]	White	27 Qt.	10 17.4 lbs. [7.9 kg.]
QT32PB-W		14" [356 mm]	20" [508 mm]	11-3/4" [298 mm]	White	32 Qt.	1 4 lbs. [1.8 kg.]
QT35PB-WH	NEW!	14-15/16" [379 mm]	17-1/2" [445 mm]	9-5/16" [237 mm]	White	35 Qt.	6 14 lbs. [6.4 kg.]
QT35PB-PT	NEW!	14-15/16" [379 mm]	17-1/2" [445 mm]	9-5/16" [237 mm]	Platinum	35 Qt.	6 14 lbs. [6.4 kg.]
QT50PB-W		15-3/8" [391 mm]	21-5/8" [549 mm]	11-1/8" [283 mm]	White	50 Qt.	8 20 lbs. [9.1 kg.]
QT50PB-P		15-3/8" [391 mm]	21-5/8" [549 mm]	11-1/8" [283 mm]	Platinum	50 Qt.	8 20 lbs. [9.1 kg.]
QT60PB-W*		19-1/8" [486 mm]	19-5/8" [498 mm]	13-7/8" [352 mm]	White	60 Qt.	6 19.9 lbs. [9.0 kg.]
LIDS							
QT20LB-W	NEW!	14-1/2" [368 mm]	**	7-7/16" [189 mm]	White	Fits 20 Qt.	1 2 lbs. [0.9 kg.]
QT20LB-PT	NEW!	14-1/2" [368 mm]	**	7-7/16" [189 mm]	Platinum	Fits 20 Qt.	1 2 lbs. [0.9 kg.]
QT35LB-W	NEW!	14-1/2" [368 mm]	**	9-9/16" [243 mm]	White	Fits 35 Qt.	1 2 lbs. [0.9 kg.]
QT35LB-PT	NEW!	14-1/2" [368 mm]	**	9-9/16" [243 mm]	Platinum	Fits 35 Qt.	1 2 lbs. [0.9 kg.]

* Replacement bin for Roll-Out Plastic Hampers (PSH15-1-60-W and PDMSH15-1-60-W). See page 61 for product information.

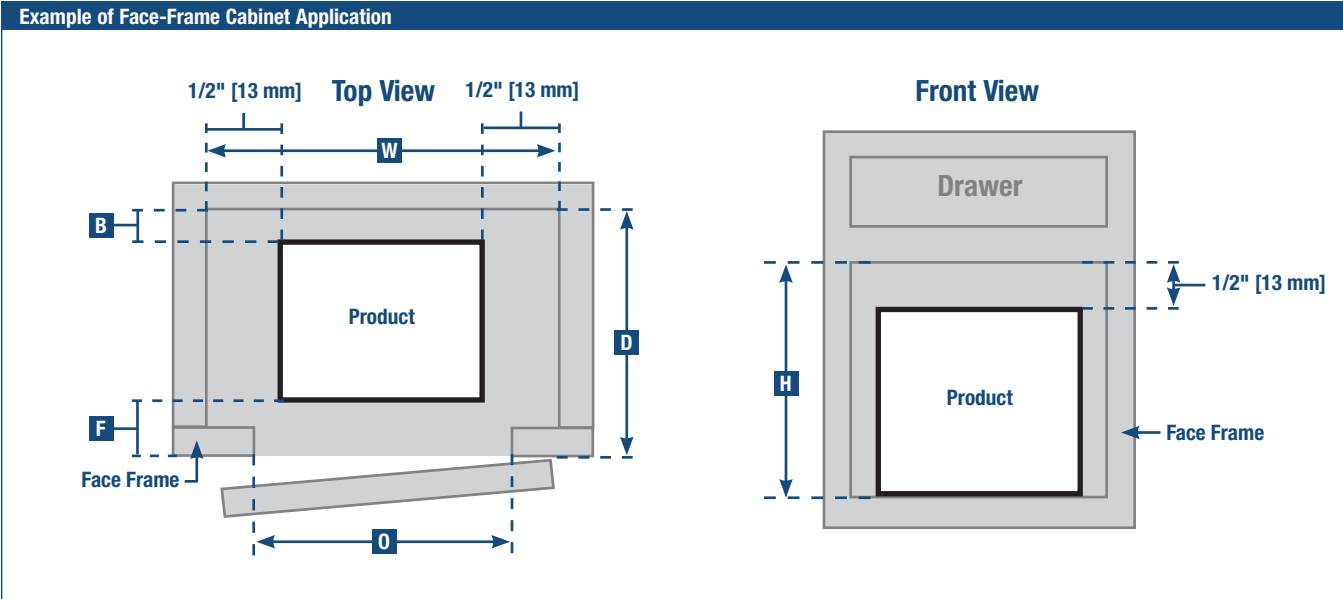
** Lid adds 3/4" [19 mm] to bin height.



Cabinet Dimensions

Stock #	Min. Cabinet Opening		Minimum Interior Cabinet Dimensions			Minimum Cabinet Clearances	
	O Width	W Width	H Height*	D Depth	F Front	B Back	
SINGLE BIN UNITS							
Non-Door-Mount							
BSC9-1-20PT	9" [229 mm]	10" [254 mm]	17-13/16" [452 mm]	20-1/2" [521 mm]	1/4" [6 mm]	1/8" [3 mm]	
BSC9-1-20WH	9" [229 mm]	10" [254 mm]	17-13/16" [452 mm]	20-1/2" [521 mm]	1/4" [6 mm]	1/8" [3 mm]	
BSC10-1-35PT	10" [254 mm]	11" [279 mm]	19-5/16" [491 mm]	20-1/2" [521 mm]	1/4" [6 mm]	1/8" [3 mm]	
BSC10-1-35WH	10" [254 mm]	11" [279 mm]	19-5/16" [491 mm]	20-1/2" [521 mm]	1/4" [6 mm]	1/8" [3 mm]	
BSC12-1-50PT	12" [305 mm]	13" [330 mm]	23-3/8" [594 mm]	20-1/2" [521 mm]	1/4" [6 mm]	1/8" [3 mm]	
BSC12-1-50WH	12" [305 mm]	13" [330 mm]	23-3/8" [594 mm]	20-1/2" [521 mm]	1/4" [6 mm]	1/8" [3 mm]	
BSC15-1-20PT	15" [381 mm]	16" [406 mm]	17-13/16" [452 mm]	20-1/2" [521 mm]	1/4" [6 mm]	1/8" [3 mm]	
BSC15-1-20WH	15" [381 mm]	16" [406 mm]	17-13/16" [452 mm]	20-1/2" [521 mm]	1/4" [6 mm]	1/8" [3 mm]	
PSW9-1-20WH	9" [229 mm]	10" [254 mm]	17-13/16" [452 mm]	20-3/8" [518 mm]	1/4" [6 mm]	1/8" [3 mm]	
PSW10-1-35WH	10" [254 mm]	11" [279 mm]	19-5/16" [491 mm]	20-3/8" [518 mm]	1/4" [6 mm]	1/8" [3 mm]	
PSW12-1-50-W	12" [305 mm]	13" [330 mm]	23-3/8" [594 mm]	20-3/8" [518 mm]	1/4" [6 mm]	1/8" [3 mm]	
PSW15-1-20WH	15" [381 mm]	16" [406 mm]	17-3/16" [437 mm]	20-3/8" [518 mm]	1/4" [6 mm]	1/8" [3 mm]	
PSW15-1-35WH	15" [381 mm]	16" [406 mm]	19-5/16" [491 mm]	20-3/8" [518 mm]	1/4" [6 mm]	1/8" [3 mm]	
Door-Mount (Bottom-mount)							
DWB975-W	12" [305 mm]	12" [305 mm]	12-1/8" [308 mm]	7-1/2" [191 mm]	-	1/8" [3 mm]	
USC12-1-35WH	12" [305 mm]	12" [305 mm]	19-3/16" [487 mm]	22-5/8" [575 mm]	-	1/8" [3 mm]	
USC12-1-35PT	12" [305 mm]	12" [305 mm]	19-3/16" [487 mm]	22-5/8" [575 mm]	-	1/8" [3 mm]	
USC12-1-50WH	12" [305 mm]	12" [305 mm]	23-5/16" [592 mm]	22-5/8" [575 mm]	-	1/8" [3 mm]	
USC12-1-50PT	12" [305 mm]	12" [305 mm]	23-5/16" [592 mm]	22-5/8" [575 mm]	-	1/8" [3 mm]	
Door-Mount (Top-mount)							
PDMTM115-1-35WH	11-1/2" [292 mm]	11-1/2" [292 mm]	18" [457 mm]	22-1/2" [572 mm]	-	1/8" [3 mm]	
PDMTM12-1-35WH	12" [305 mm]	12" [305 mm]	18" [457 mm]	22-1/2" [572 mm]	-	1/8" [3 mm]	
PDMTM145-1-50WH	14-1/2" [368 mm]	14-1/2" [368 mm]	22-1/8" [562 mm]	22-1/2" [572 mm]	-	1/8" [3 mm]	
TSC12-1-35WH	11-1/2" [292 mm]	11-1/2" [292 mm]	18" [457 mm]	23-3/8" [594 mm]	-	1/8" [3 mm]	
TSC12-1-35PT	11-1/2" [292 mm]	11-1/2" [292 mm]	18" [457 mm]	23-3/8" [594 mm]	-	1/8" [3 mm]	
TSC15-1-35WH	14-1/2" [368 mm]	14-1/2" [368 mm]	18" [457 mm]	23-3/8" [594 mm]	-	1/8" [3 mm]	
TSC15-1-35PT	14-1/2" [368 mm]	14-1/2" [368 mm]	18" [457 mm]	23-3/8" [594 mm]	-	1/8" [3 mm]	
TSC15-1-50WH	14-1/2" [368 mm]	14-1/2" [368 mm]	22-1/8" [562 mm]	23-3/8" [594 mm]	-	1/8" [3 mm]	
TSC15-1-50PT	14-1/2" [368 mm]	14-1/2" [368 mm]	22-1/8" [562 mm]	23-3/8" [594 mm]	-	1/8" [3 mm]	

* If using lid, add 3/4" [19 mm].



Dimensions shown are recommended minimum cabinet dimensions and clearances.

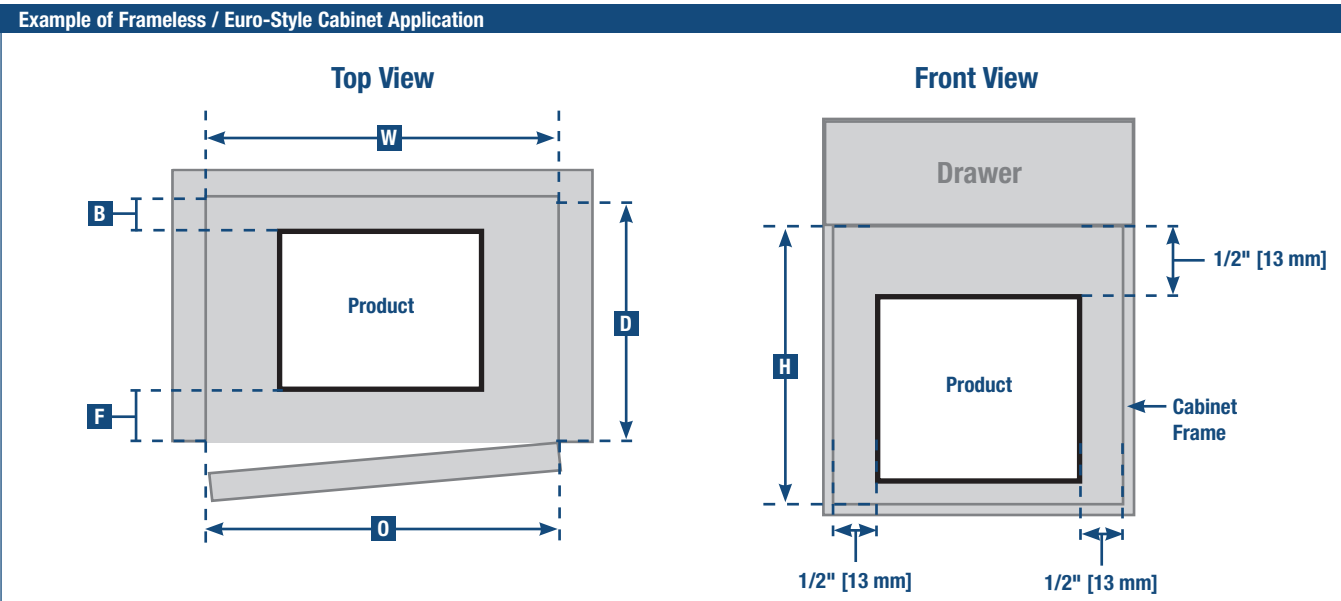


Tel. 800.253.1561
Fax 877.636.3290
www.kv.com

Cabinet Dimensions

Stock #	Min. Cabinet Opening		Minimum Cabinet Dimensions			Minimum Cabinet Clearances	
	O Width	W Width	H Height*	D Depth	F Front	B Back	
DOUBLE BIN UNITS							
Non-Door-Mount							
BSC12-2-27WH	12" [305 mm]	13" [330 mm]	19-1/2" [495 mm]	23-3/8" [594 mm]	1/4" [6 mm]	1/8" [3 mm]	
BSC15-2-20PT	15" [381 mm]	16" [406 mm]	17-13/16" [452 mm]	23-3/8" [594 mm]	1/4" [6 mm]	1/8" [3 mm]	
BSC15-2-20WH	15" [381 mm]	16" [406 mm]	17-13/16" [452 mm]	23-3/8" [594 mm]	1/4" [6 mm]	1/8" [3 mm]	
BSC15-2-35PT	15" [381 mm]	16" [406 mm]	19-5/16" [491 mm]	23-3/8" [594 mm]	1/4" [6 mm]	1/8" [3 mm]	
BSC15-2-35WH	15" [381 mm]	16" [406 mm]	19-5/16" [491 mm]	23-3/8" [594 mm]	1/4" [6 mm]	1/8" [3 mm]	
PRC12-2-27-W	12" [305 mm]	13" [330 mm]	19-1/4" [489 mm]	23-3/8" [594 mm]	1/4" [6 mm]	1/8" [3 mm]	
PSW15-2-20WH	15" [381 mm]	16" [406 mm]	17-13/16" [452 mm]	20-3/8" [518 mm]	1/4" [6 mm]	1/8" [3 mm]	
PSW15-2-35WH	15" [381 mm]	16" [406 mm]	19-5/16" [491 mm]	22-3/8" [568 mm]	1/4" [6 mm]	1/8" [3 mm]	
Door-Mount (Bottom-mount)							
USC15-2-35WH	15" [381 mm]	16" [406 mm]	19-3/16" [487 mm]	22-5/8" [575 mm]	-	1/8" [3 mm]	
USC15-2-35PT	15" [381 mm]	16" [406 mm]	19-3/16" [487 mm]	22-5/8" [575 mm]	-	1/8" [3 mm]	
Door-Mount (Top-mount)							
PDMTM15-2-35WH	15" [381 mm]	15" [381 mm]	18" [457 mm]	22-1/2" [572 mm]	-	1/8" [3 mm]	
PDMTM175-2-35WH	17-1/2" [445 mm]	17-1/2" [445 mm]	18" [457 mm]	22-1/2" [572 mm]	-	1/8" [3 mm]	
PDMTM18-2-35WH	18" [457 mm]	18" [457 mm]	18" [457 mm]	22-1/2" [572 mm]	-	1/8" [3 mm]	
PDMTM21-2-35WH	21" [533 mm]	21" [533 mm]	18" [457 mm]	22-1/2" [572 mm]	-	1/8" [3 mm]	
TSC15-2-35WH	15" [381 mm]	15" [381 mm]	18" [457 mm]	23-3/8" [594 mm]	-	1/8" [3 mm]	
TSC15-2-35PT	15" [381 mm]	15" [381 mm]	18" [457 mm]	23-3/8" [594 mm]	-	1/8" [3 mm]	
TSC18-2-35WH	17-1/2" [445 mm]	17-1/2" [445 mm]	18" [457 mm]	23-3/8" [594 mm]	-	1/8" [3 mm]	
TSC18-2-35PT	17-1/2" [445 mm]	17-1/2" [445 mm]	18" [457 mm]	23-3/8" [594 mm]	-	1/8" [3 mm]	
TRIPLE BIN UNITS							
Non-Door-Mount							
BSC15-3-20PT	15" [381 mm]	15" [381 mm]	17-13/16" [452 mm]	23-3/8" [594 mm]	1/4" [6 mm]	1/8" [3 mm]	
BSC15-3-20WH	15" [381 mm]	15" [381 mm]	17-13/16" [452 mm]	23-3/8" [594 mm]	1/4" [6 mm]	1/8" [3 mm]	
PSW15-3-20WH	15" [381 mm]	15" [381 mm]	17-13/16" [452 mm]	23-3/8" [594 mm]	1/4" [6 mm]	1/8" [3 mm]	
FOUR BIN UNITS							
Non-Door-Mount							
BSC24-4-27WH	24" [610 mm]	25" [635 mm]	19-1/2" [495 mm]	23-3/8" [594 mm]	1/4" [6 mm]	1/8" [3 mm]	
PRC24-4-27-W	24" [610 mm]	25" [635 mm]	19-1/2" [495 mm]	23-3/8" [594 mm]	1/4" [6 mm]	1/2" [13 mm]	

* If using lid, add 3/4" [19 mm].



Dimensions shown are recommended minimum cabinet dimensions and clearances.

