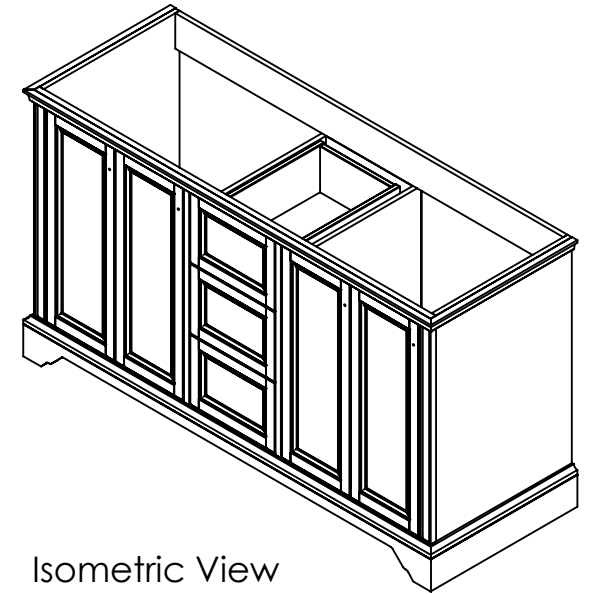
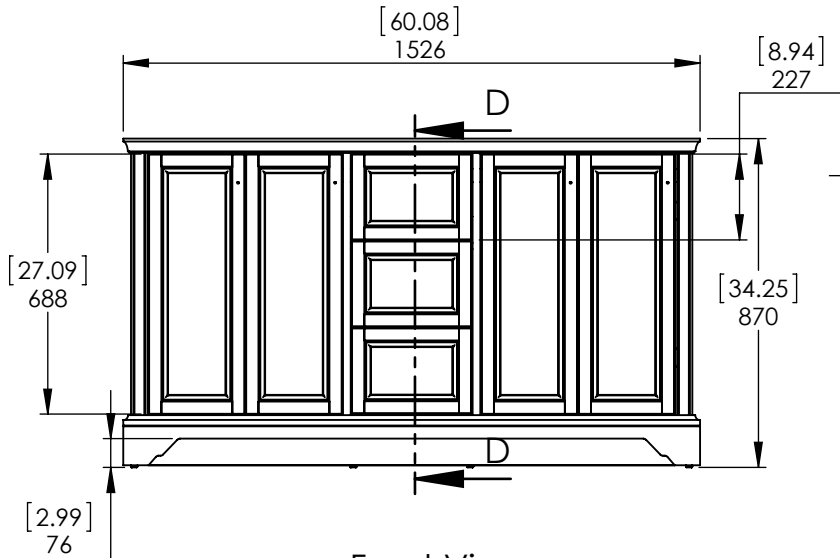


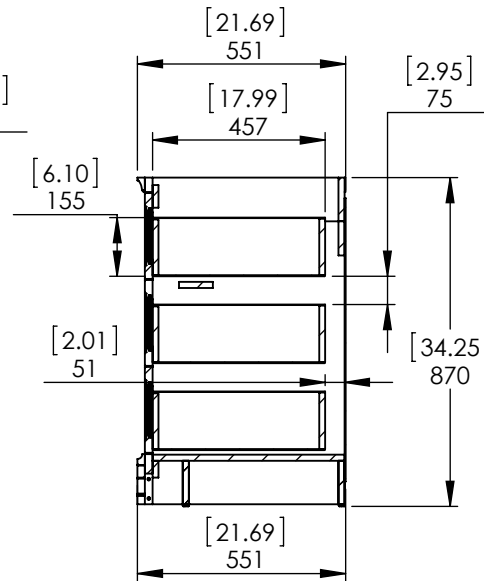
Top View



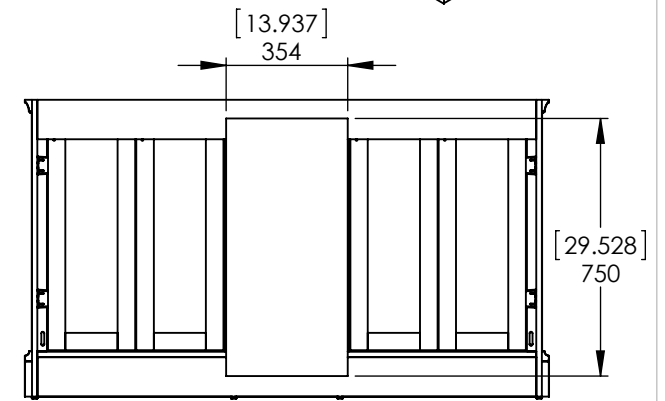
Isometric View



Front View



Section D-D



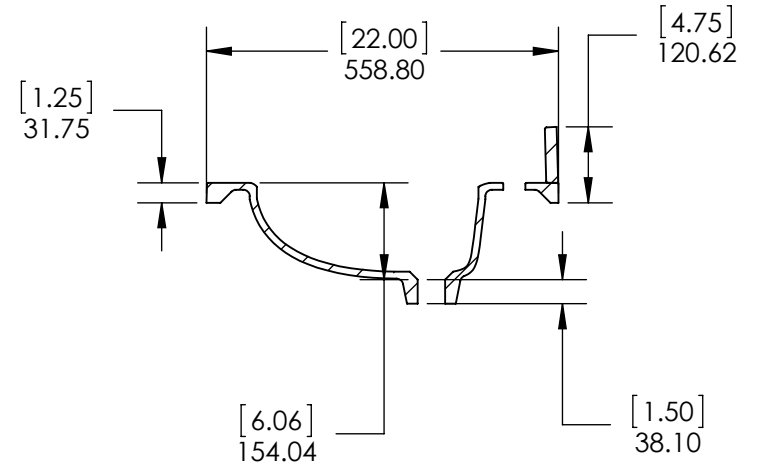
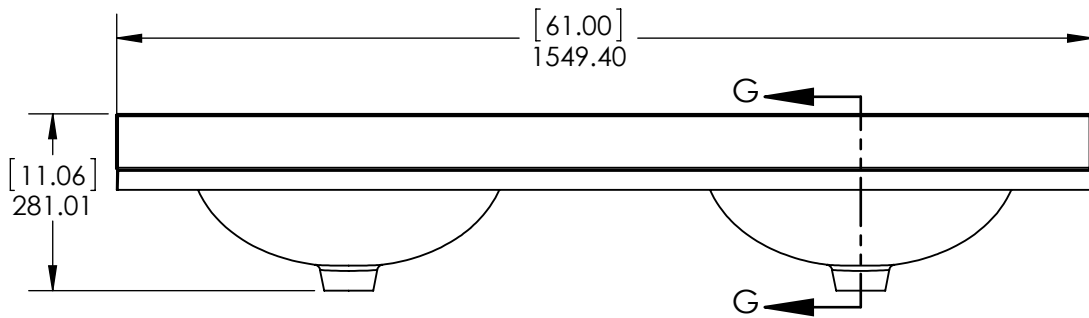
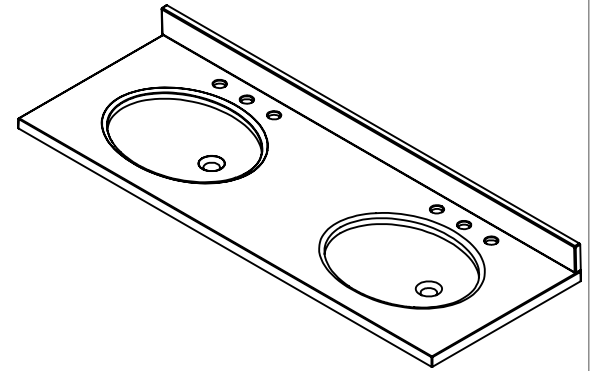
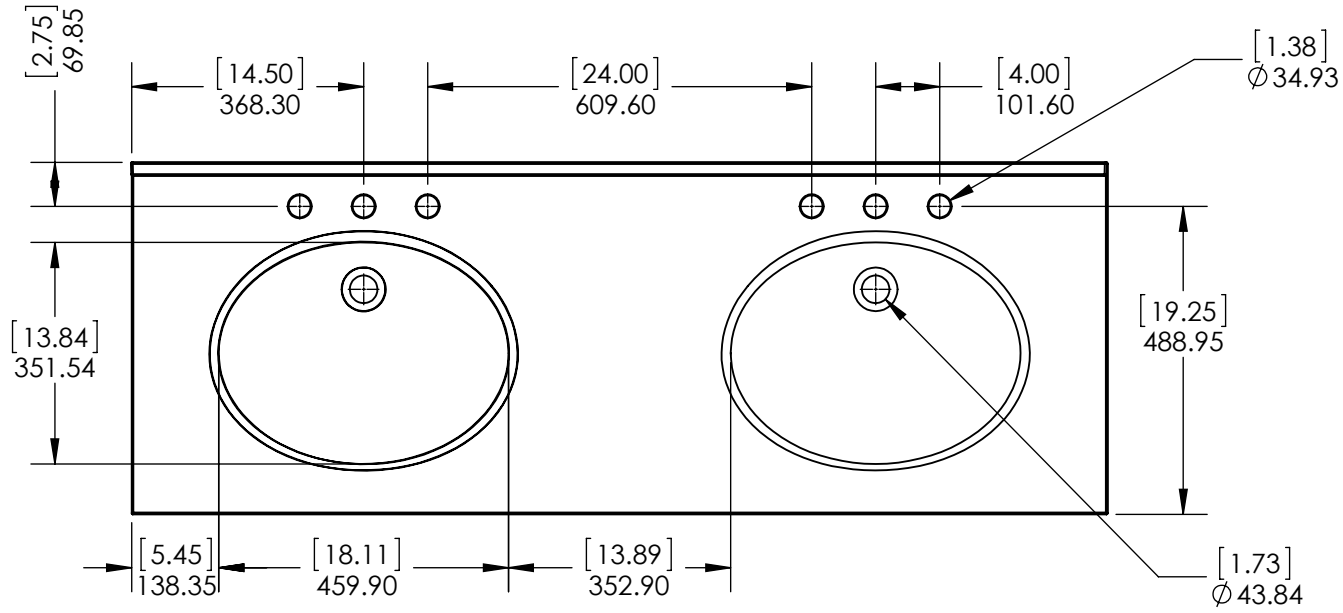
Back View

ITEM:	SF60-WH SF60-ST SF60-CR SF60-CH	REV	A
NAME:	Stratfield 60in		



Propiedad y Confidencialidad La información contenida en este dibujo es puramente propiedad de Woodcrafters Home Products LLC. Queda prohibida cualquier reproducción parcial o total sin el permiso por escrito de Woodcrafters Home Product LLC.	DWG	LAG	03/29/17	MATERIAL:	German beech 4/4 Laminated particle board (4 colours)
	REV	ING	03/29/17		
	APP	R&D	22/12/17		
	SCALE: 1:20			MODEL:	Stratfield 60in

DRAWING TYPE	ITEM ID	ITEM DESCRIPTION	TECHNOLOGIES	DRAWING STATUS	REV	ECO #	DESCRIPTION	REV'D BY DATE	CHK'D BY DATE	APRV'D BY DATE
Finish Good	SS61O-AH	Vtop Oval 61x22 Bitono SS Silver Ash	Solid Surface	Ready for production	0		New Model	2/27/18	2/27/18	2/27/18



PROPRIETARY AND CONFIDENTIAL		UNLESS OTHERWISE SPECIFIED		NAME	DATE
THE INFORMATION CONTAINED IN THIS DRAWING IS THE SOLE PROPERTY OF WOODCRAFTERS. ANY REPRODUCTION IN PART OR AS A WHOLE WITHOUT THE WRITTEN PERMISSION OF WOODCRAFTERS IS PROHIBITED.		DIMENSIONS ARE IN MM. AND (INCHES)		DRAWN	R. Rubio 2/27/18
		TOLERANCES ARE +0.125 [3.175] -0.125 [-3.175]		CHECKED	R. Rubio 2/27/18
		SCALE:1:10		ENG APPR.	R. Rubio 2/27/18
				MFG APPR.	C. Leal 2/27/18

		SIZE	DWG. NO.	SHEET 1 OF 1
		A	Vtop Oval 61x22 Bitono SS Silver Ash	REV: 0