

SONTAX®

650 LB. GARDEN DUMP CART



**Actual product may vary slightly*

Please carefully read and save these instructions before attempting to assemble, maintain, install, or operate this product. Observe all safety information to protect yourself and others. Failure to observe the instructions may result in property damage and/or personal injury. Please keep instructions for future reference.

For warranty purchases, please keep your dated proof of purchase. File or attach to the manual for safe keeping.

INTENDED USE

This dump cart is perfect for moving and unloading supplies around the yard when working on gardening and landscaping projects.

TECHNICAL SPECIFICATIONS

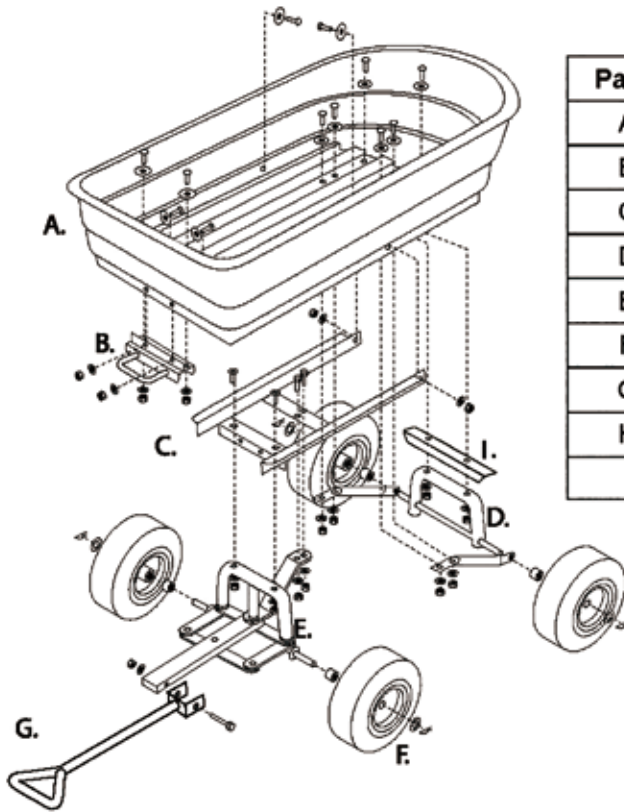
Item	Description
Capacity	Overall maximum 600 lb. load capacity Maximum 300 lb. dumping load capacity when cart is loaded
Tires	10 inch Pneumatic Tires Do not inflate the tires to more than 30 PSI
Construction	Poly bed with steel frame
Dimensions	38" x 20" x 19.5"

IMPORTANT SAFETY CONSIDERATIONS

- **Do not exceed loading capacity.**
 - **Maximum load capacity:** 600 lb.
 - **Maximum dumping load capacity:** 300 lb.
- **Distribute load over the surface of the tray.** Do not load items on the top edges of the tray.
- **Do not modify the dump cart in any way.** Unauthorized modification may impair the function and/or safety and could affect the life of the equipment. There are specific applications for which the poly dump cart was designed.
- **This cart is not intended for highway use.** Do not exceed 5 MPH.
- **Do not use this cart for transporting passengers.** Do not allow children to use this cart without supervision. This cart is not a toy.
- **Do not inflate the tires to more than 30 PSI.** Do not use the cart on surfaces or for transporting objects that can cause damage to the pneumatic tires.
- **Always check of damaged or worn out parts before using the poly garden dump cart.** Broken parts will affect the poly dump cart operation. Replace or repair damaged or worn parts immediately.
- **Store idle the dump cart. When the dump cart is not in use, store it in a secure place out of the reach of children.** Inspect it for good working condition prior to storage and before re-use.

EXPLODED DRAWING FOR ASSEMBLY

PARTS LIST














Part#	Description	Qty.
A	Tray	1
B	Dump Lock Assembly	1
C	Frame	1
D	Rear Axle Assembly	1
E	Front Axle Assembly	1
F	Tire	4
G	Pull Handle	1
H	Hardware Kit	1
I	Protection plate	1

HARDWARE LIST

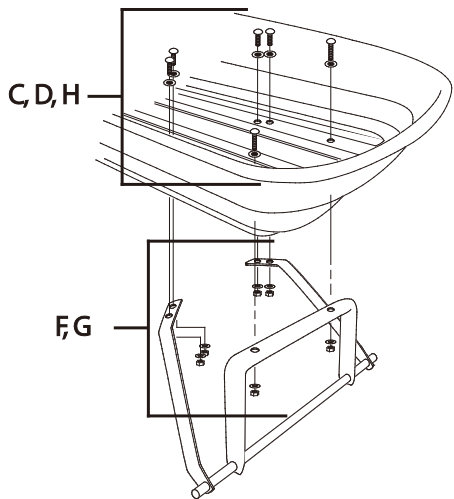
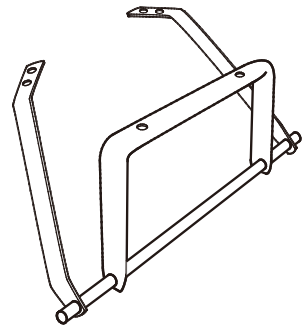
Hardware List

Images are not to scale

A. M8x60 Hex Head Bolt (1)	A.	B.	C.	D.	E.
B. M8x40 Phillips Flat Head Bolt (2)					
C. M8x45 Carriage Bolt (2)		F.	G.	H.	I.
D. M8x20 Carriage Bolt (10)					
E. M8x20 Hex Head Bolt (2)			J.	K.	
F. M8 Lock Nut (17)					
G. M8 Washer (17)					
H. M11 Washer (12)					
I. M16 Washers (4)					
J. Cotter Pin (4)					
K. Wheel Spacers (4)					

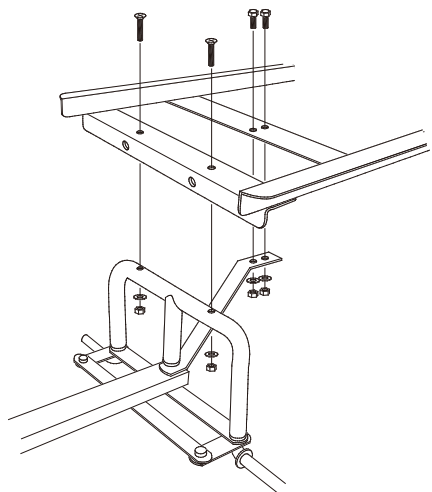
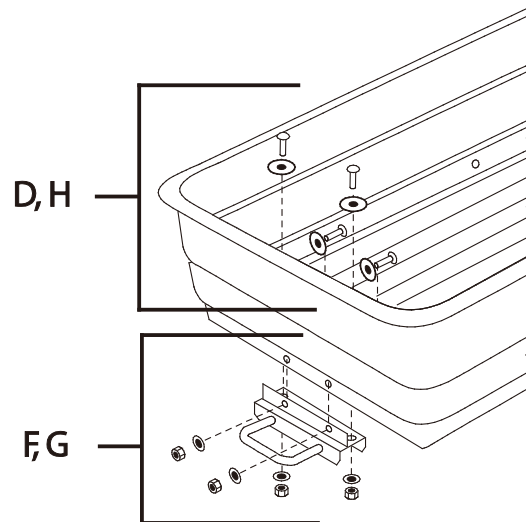
ASSEMBLY

1. Locate the rear axle assembly (the left and right rear struts are pre-assembled to the rear axle frame as shown below).



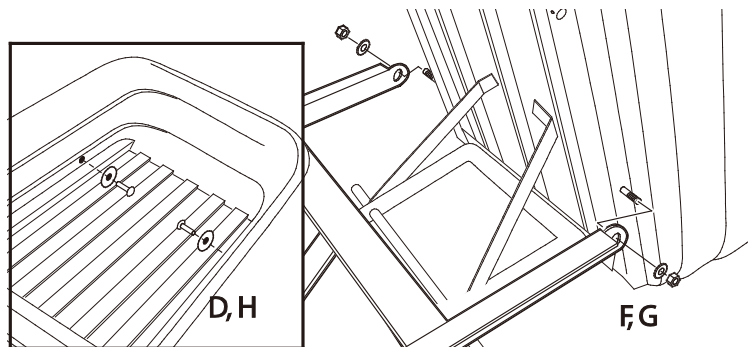
2. Attach the rear axle assembly to the tray using M8x45 carriage bolts (C-2), M11 washers (H-2), M8 washers (G-2), and M8 lock nuts (F-2). Attach the left and right rear struts to the tray using M8x20 carriage bolts (D-4), M11 washers (H-4), M8 washers (G-4), and M8 lock nuts (F-4).

3. Attach the dump lock assembly to the tray using M8x20 carriage bolts (D-4), M11 washers (H-4), M8 washers (G-4), and M8 lock nuts (F-4).

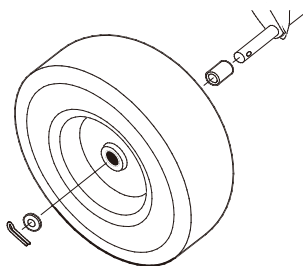


4. Attach the front axle assembly to the front frame using M8x40 Phillips flat head bolts (B-2), M8 lock nuts (F-2), and M8 washers (G-2). Attach the front axle support arm to the frame using M8x20 hex head bolts (E-2), M8 lock nuts (F-2), and M8 washers (G-2).

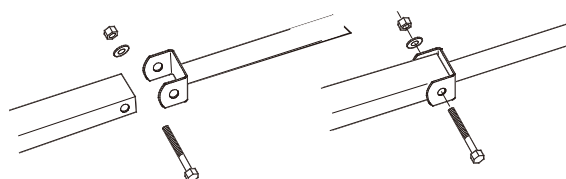
-
5. Attach the frame to the tray using M8x20 carriage bolts (D-2), M11 washers (H-2), M8 washers (G-2), and M8 lock nuts (F-2).



6. Attach the wheels by first placing the wheel spacers (K-4) onto each axle, then placing the wheel (4) onto each axle and finally placing the wheel washers (I-4). Insert the cotter pins (J-4) into the hole at each end of the axles and bend back the ends of the cotter pins with pliers to keep them in place.



7. Attach the handle to the yoke using M8x60 hex bolt (A-1), M8 lock nut (F-1), and M8 washer (G-1).



OPERATION

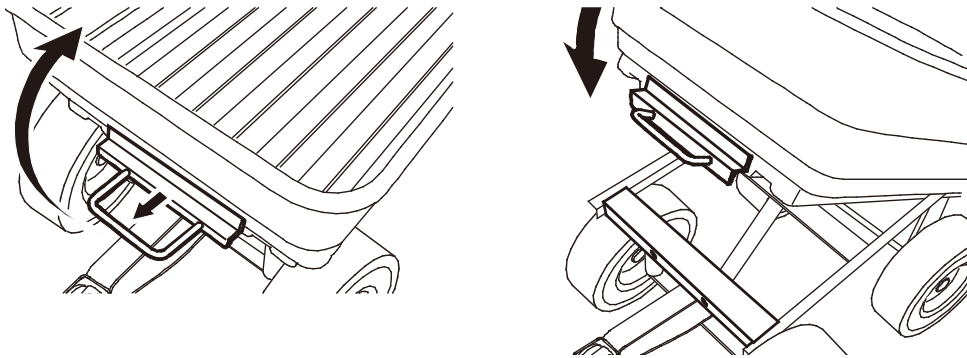
USING THE DUMPING FEATURE

To use the dumping feature, pull the dumping release handle forward in order to release the tray from the locking mechanism. Lift the release handle in order to rotate the tray upward into the dumping position.

WARNING: To reduce risk of injury when dumping, ensure worksite is clear and free of hazards and bystanders.

RETURNING THE TRAY TO THE LOWERED POSITION

Return the tray back to the lowered position and verify that the dumping release handle locks in place. Avoid pinch points.



MAINTENANCE

- Maintain your dump cart. It is recommended that the general condition of any dump cart be examined before it is used. Keep your dump cart in good repair by adopting a program of conscientious repair and maintenance. Have necessary repairs made by qualified service personnel.

Limited Manufacturer Warranty

FOT makes every effort to ensure that this product meets high quality and durability standards. FOT warrants to the original retail consumer a 1-year limited warranty from the date the product was purchased at retail and each product is free from defects in materials. Warranty does not apply to defects due directly or indirectly to misuse, abuse, negligence or accidents, repairs or alterations, or a lack of maintenance. FOT shall in no event be liable for death, injuries to persons or property, or for incidental, special or consequential damages arising from the use of our products. To receive service under warranty, the original manufacturer part must be returned for examination by an authorized service center. Shipping and handling charges may apply. If a defect is found, FOT will either repair or replace the product at its discretion.

DO NOT RETURN TO STORE

For Customer Service:

Email: customerservice@focus-ontools.com or Call 1-800-348-5004