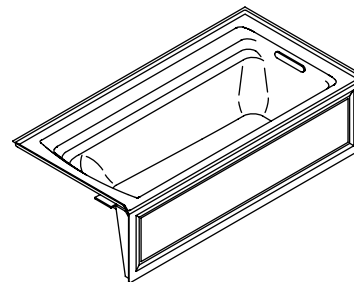


### Features

- Acrylic
- Left or right drain
- Integral apron
- Integral tile flange
- Slotted overflow for maximum bathing depth
- Low threshold height
- Integral lumbar support
- Armrests
- 72" (182.9 cm) x 36" (91.4 cm) x 19" (48.3 cm)

6' (1.8 cm) BATH WITH INTEGRAL APRON

**K-1125-LA**  
ALSO K-1125-RA



### Codes/Standards Applicable

Specified model meets or exceeds the following:

- ANSI Z124.1.2
- IAPMO/UPC
- Underwriters Laboratories (UL)
- ASME A112.19.7M

### Colors/Finishes

- 0: White
- Other: Refer to Price Book for additional colors/finishes

### Accessories:

- 0: White
- CP: Polished Chrome
- Other: Refer to Price Book for additional colors/finishes

### Specified Model

Model	Description	Colors/Finishes	
K-1125-LA	6' (1.8 m) integral apron bath, left side drain	<input type="checkbox"/> 0	<input type="checkbox"/> Other_____
K-1125-RA	6' (1.8 m) integral apron bath, right side drain	<input type="checkbox"/> 0	<input type="checkbox"/> Other_____
<b>Required Accessories</b>			
K-7272	Bath drain	<input type="checkbox"/> CP	<input type="checkbox"/> Other_____
<b>Optional Accessories</b>			
K-9529	Removable bath seat	<input type="checkbox"/> 0	

### Product Specification:

The bath shall be 72" (182.9 cm) in length, 36" (91.4 cm) in width, and 19" (48.3 cm) in height. Bath shall be made of acrylic. Bath shall have left or right drain. Bath shall have slotted overflow for maximum bathing depth, low threshold height, and integral lumbar support. Bath shall have integral apron and integral tile flange. Bath shall have armrests. Bath shall be Kohler Model K-1125-\_\_\_\_\_-\_\_\_\_\_.

# ARCHER™

## Technical Information

Fixture*:	basin area	top area	weight
Bathing well	51-3/8" (130.4 cm) x 21" (53.3 cm)	64-1/2" (163.8 cm) x 30-1/2" (77.5 cm)	80 lbs (36.3 kg)
To overflow	water depth	capacity	
	15" (38.1 cm)	72 gal (273 L)	

\* Approximate measurements for comparison only.

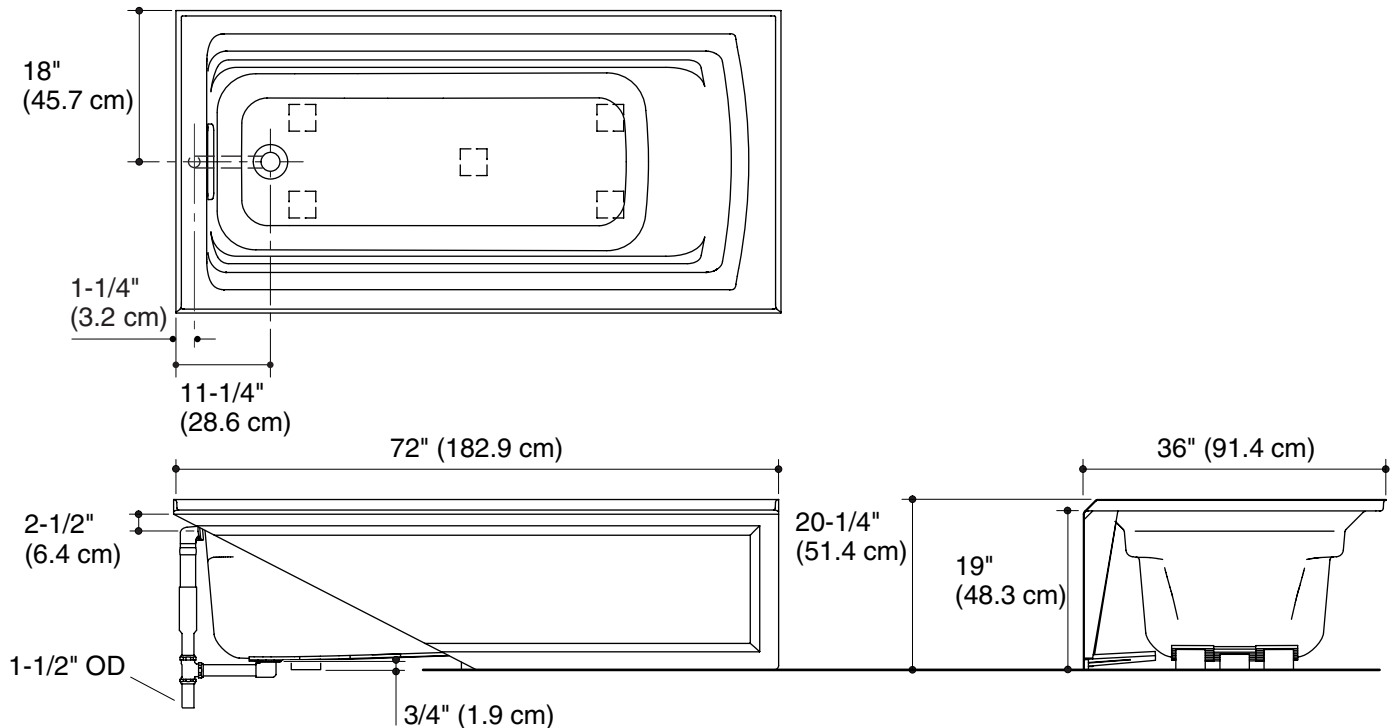
## Installation Notes

Install this product according to the installation guide.

Floor support under this product must provide for a minimum of 40 lbs/square foot (195 kg/square meter) loading.

The hot water supply should be 70% of the capacity of the bath or greater. Installations will vary.

No change in measurements if connected with drain illustrated. (K-7272)



## Product Diagram

ARCHER™ 6' (1.8 cm) BATH WITH INTEGRAL APRON

Page 2 of 2  
1071363-4-A

THE BOLD LOOK  
OF **KOHLER**®