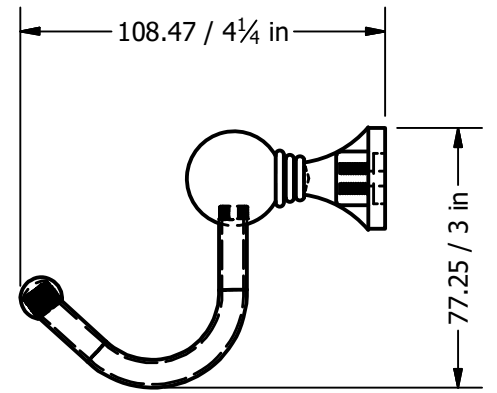
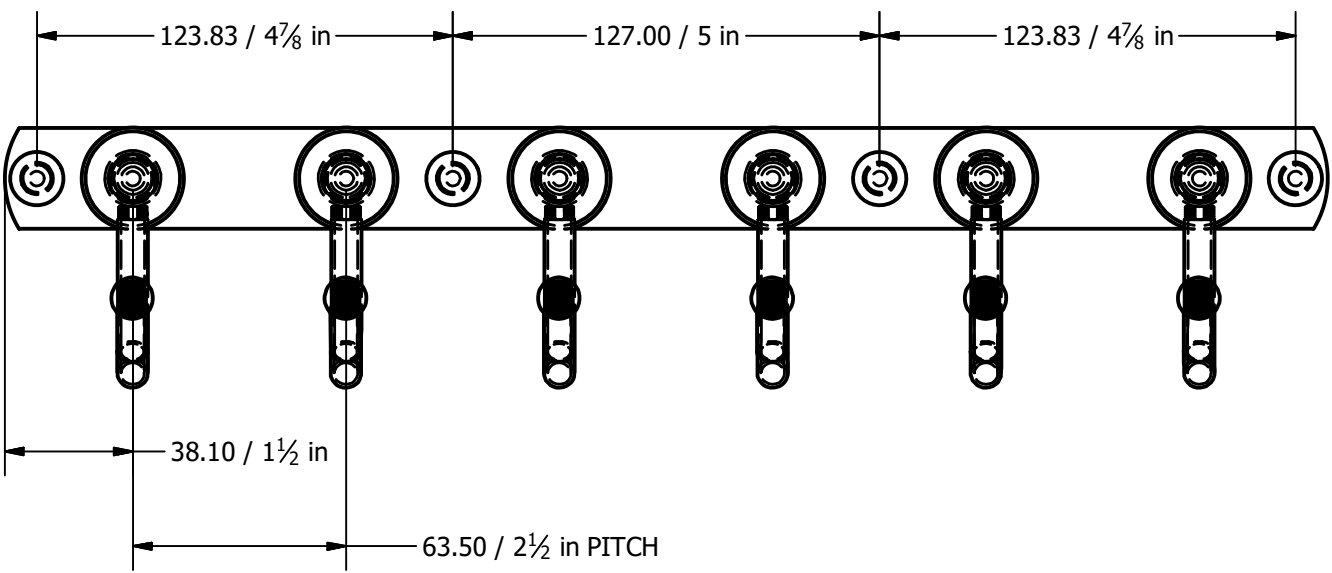
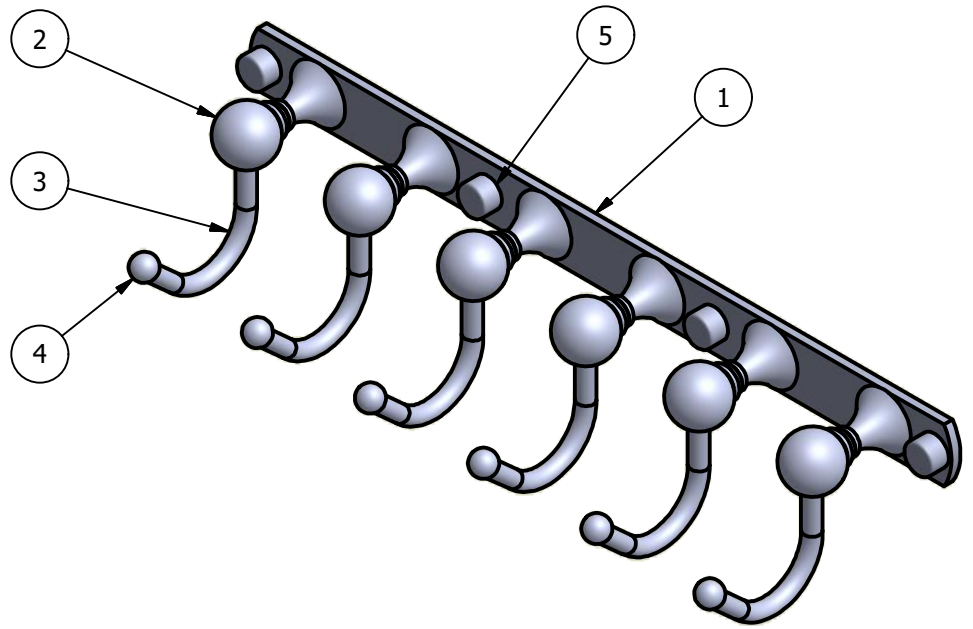
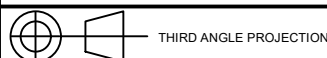


SL-20-6			
ITEM	QTY	PART NUMBER	DESCRIPTION
1	1	BPHK-18	SIX HOOK PLATE
2	6	SGRHPOST	POST
3	6	HKHK	BENT TUBE
4	4	CARD-58	CAP
5	6	BL1T-34	3/4 Inch Ball Single Tap



APPROVED FOR PRODUCTION
 By: RICHARD PAUL
 Date: 3-10-18

UNLESS OTHERWISE SPECIFIED	
.X	± .3mm
.XX	± .15mm
.XXX	± .008mm



DRAWN	3-10-18	IM	MATERIAL:	BRASS	FINISH	TBD
CHECKED	3-10-18	P.D.	DESCRIPTION:		QTY	TBD
APPROVED	3-10-18	R.A.	Shadwell Collection 6 Position Multi Hook		DRAWING NO.	
					SL-20-6	
					SCALE	1:1
					SHEET: 1 OF 1	A4