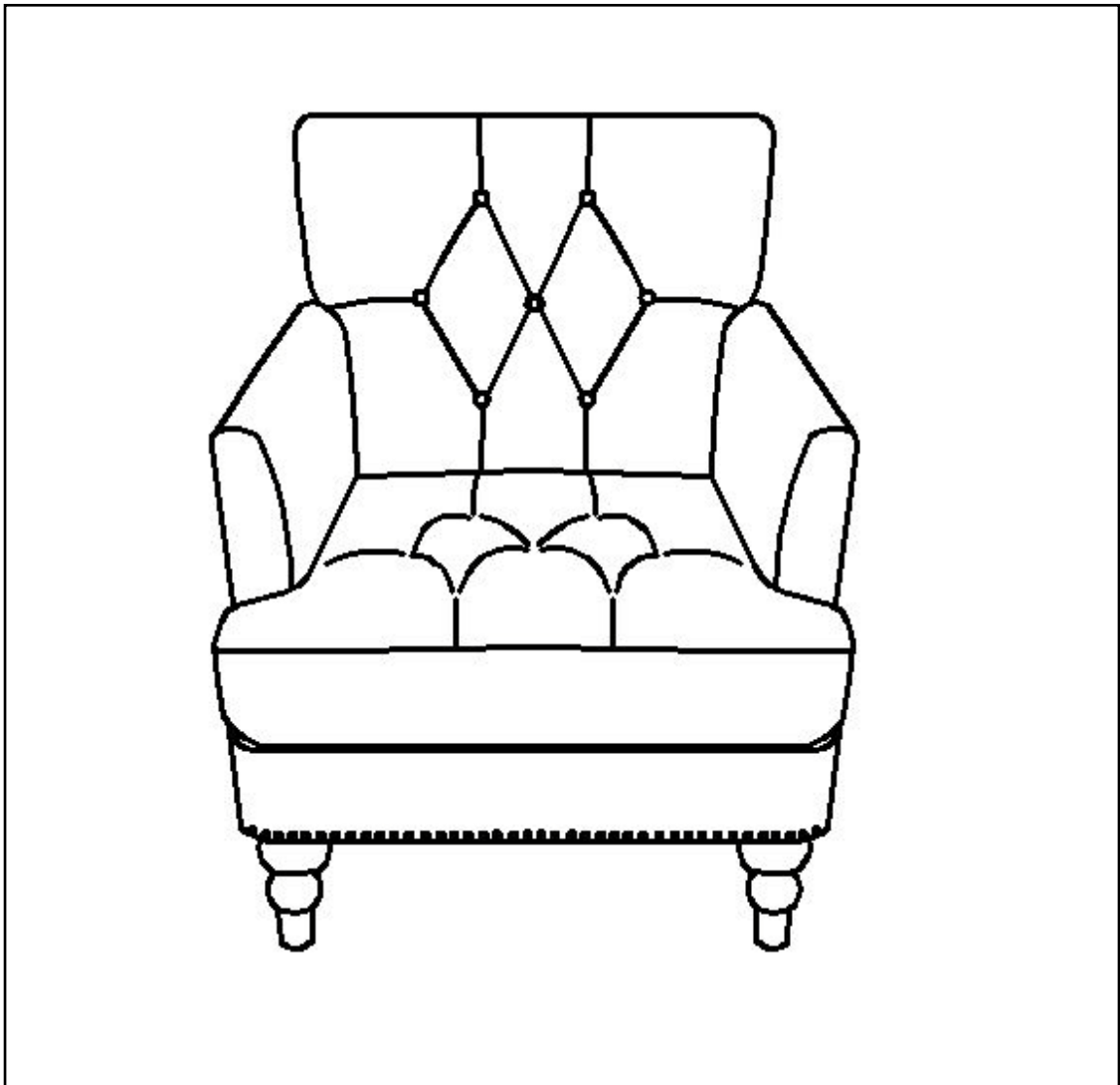
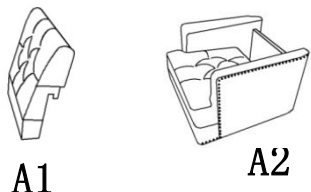

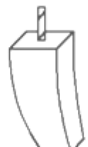


# Assembly Instructions


## Club Chair



## Parts List

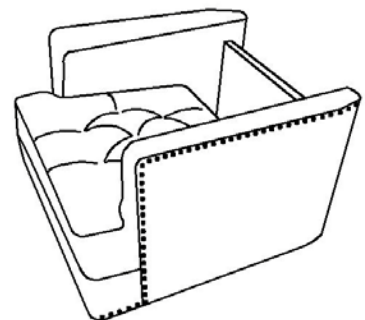
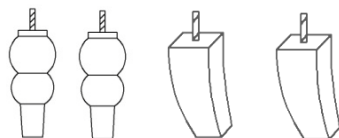
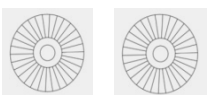
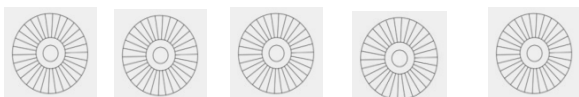
Label	Picture	Description	QTY
A	 A1                      A2	Chair : Seat Backrest (A1) and Seat Box ( A2)	A1-1PC A2-1PC
B	 Front Legs	Wooden Legs	2
C	 Hind Legs	Wooden Legs	2

## Hardware

Label	Picture	Description	QTY
1		Washer Rings	7

## Assembly Preparation

Before Beginning Assembly:



- Read instructions, cover to cover-



- Have 2 adults on hand for assembly-



- Do not assemble on flooring or carpet-



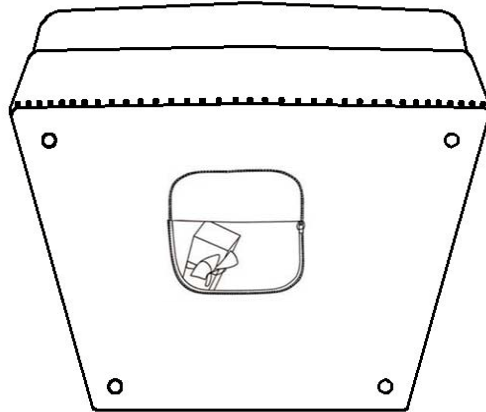
- Assemble on a clean non-marring surface (packing foam)-



- Save all packaging until finished-

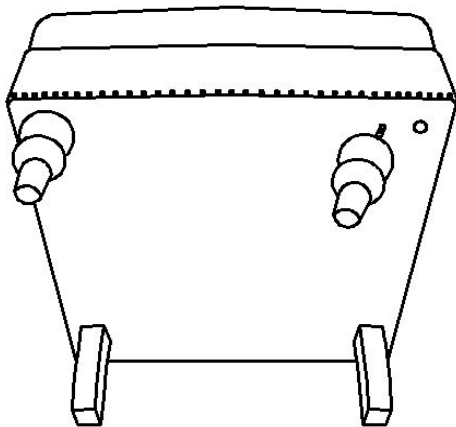
## Assembly Steps

### Step 1



Position the Chair on its back, as shown.  
Unzip to open and remove the 4 wooden legs. Close the pouch.

### Step 2

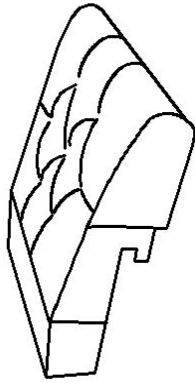


Insert the threaded Stem  
Into the threaded Hole.

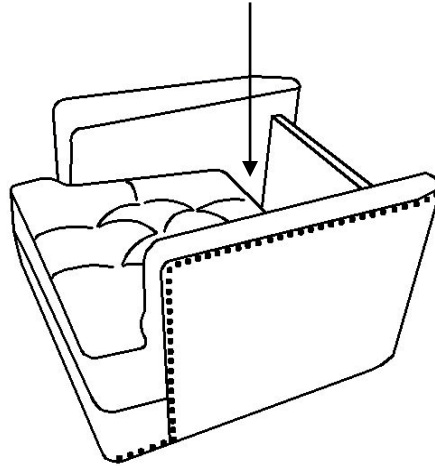
Install the leg into the chair by putting a Washer Ring (improves tightness and security of leg) on the threaded stem, (The use of washer rings are OPTIONAL and is especially useful to help alleviate slight wobbliness); and then insert the threaded stem into the threaded hole at each corner of the bottom of the chair. Tighten by turning leg clockwise. Repeat the same procedure to install the other 3 remaining legs.

## Assembly Steps

### Step 3



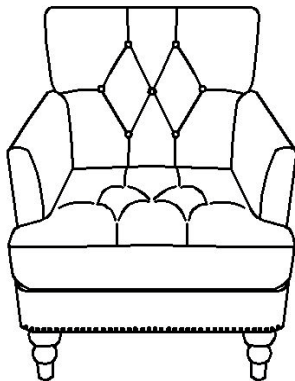
A1



A2

Position yourself behind the chair. Place the back rest(A1) into the body slot(A2). While tilting the back rest slightly forward. Then gently pull the back rest towards you while pushing it down all the way into the Chair Seat slot. located to the rear of the seat box. (as marked by the arrow above).


### Step 4



Make sure all parts are connected and locked into position before this chair is used.

## Care & Maintenance

-  Do not put hot items directly on furniture surface.
-  Do not clean furniture with harsh cleansers or polish.
-  Do not place furniture under direct sunlight.
-  Do not place furniture near heating or cooling vents.
-  Do not write on furniture without a padded barrier to protect the surface.
-  Do not place furniture outside. For indoor use only.
-  Not for commercial use. For residential use only.
-  Stains may be removed with mild soap solution and damp cloth.

- 
-  Dust and pick-up spills using a clean, non-colored, lint-free cloth.