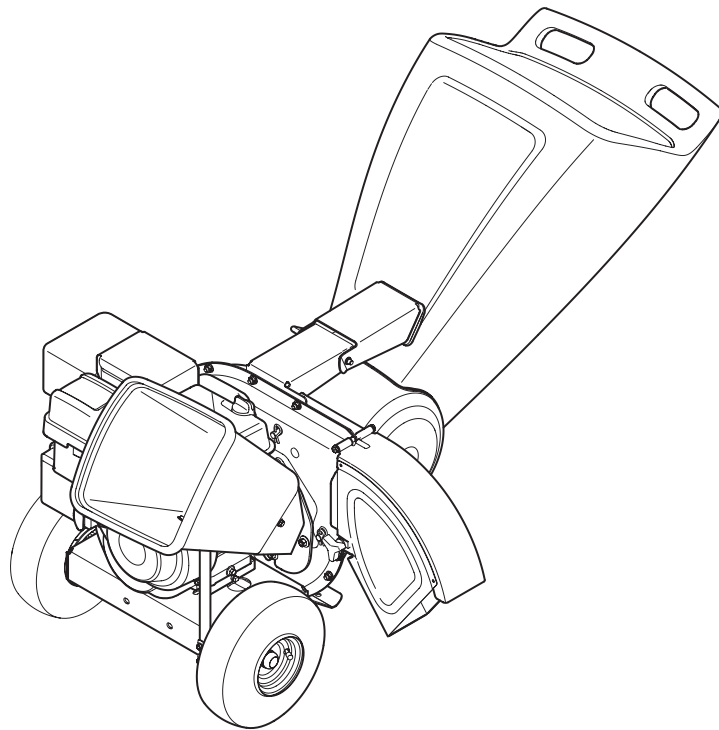


OPERATOR'S MANUAL



Chipper/Shredder — Model Series 450 - 460

⚠ WARNING

**READ AND FOLLOW ALL SAFETY RULES AND INSTRUCTIONS IN THIS MANUAL
BEFORE ATTEMPTING TO OPERATE THIS MACHINE.
FAILURE TO COMPLY WITH THESE INSTRUCTIONS MAY RESULT IN PERSONAL INJURY.**

MTD LLC, P.O. BOX 361131 CLEVELAND, OHIO 44136-0019

Thank You

Thank you for purchasing a Chipper Shredder manufactured by MTD. It was carefully engineered to provide excellent performance when properly operated and maintained.

Please read this entire manual prior to operating the equipment. It instructs you how to safely and easily set up, operate and maintain your machine. Please be sure that you, and any other persons who will operate the machine, carefully follow the recommended safety practices at all times. Failure to do so could result in personal injury or property damage.

All information in this manual is relative to the most recent product information available at the time of printing. Review this manual frequently to familiarize yourself with the machine, its features and operation. Please be aware that this Operator's Manual may cover a range of product specifications for various models. Characteristics and features discussed and/or illustrated in this manual may not be applicable to all models. MTD reserves the right to change product specifications, designs and equipment without notice and without incurring obligation.

If applicable, the power testing information used to establish the power rating of the engine equipped on this machine can be found at www.opei.org or the engine manufacturer's web site.

If you have any problems or questions concerning the machine, phone your local authorized MTD service dealer or contact us directly. MTD's Customer Support telephone numbers, website address and mailing address can be found on this page. We want to ensure your complete satisfaction at all times.

Throughout this manual, all references to *right* and *left* side of the machine are observed from the operating position

For all engine-related issues with regards to performance, power-rating, specifications, warranty and service, please refer to the engine Owner's/Operator's Manual, packed separately with your machine.

Table of Contents

Safe Operation Practices	3	Service	14
Assembly & Set-Up	7	Troubleshooting	16
Controls & Features.....	10	Replacement Parts	17
Operation.....	11	Warranty.....	18
Maintenance & Adjustment	12	Espanol.....	19

Record Product Information

Before setting up and operating your new equipment, please locate the model plate on the equipment and record the information in the provided area to the right. You can locate the model plate by standing at the operator's position and looking down at the frame below the engine. This information will be necessary, should you seek technical support via our web site, Customer Support Department, or with a local authorized service dealer.

MODEL NUMBER

--	--	--	--	--	--	--	--	--	--	--

SERIAL NUMBER

--	--	--	--	--	--	--	--	--	--	--

Customer Support

Please do NOT return the machine to the retailer or dealer without first contacting our Customer Support Department.

If you have difficulty assembling this product or have any questions regarding the controls, operation, or maintenance of this machine, you can seek help from the experts. Choose from the options below:

- ◇ Visit us on the web at www.mtdproducts.com



See How-to Maintenance and Parts Installation Videos at www.mtdparts.com/KnowledgeCenter

- ◇ Call a Customer Support Representative at (800) 800-7310 or (330) 220-4683
- ◇ Write us at MTD LLC • P.O. Box 361131 • Cleveland, OH • 44136-0019



WARNING: This symbol points out important safety instructions which, if not followed, could endanger the personal safety and/or property of yourself and others. Read and follow all instructions in this manual before attempting to operate this machine. Failure to comply with these instructions may result in personal injury. When you see this symbol. **HEED ITS WARNING!**

CALIFORNIA PROPOSITION 65



WARNING: Engine Exhaust, some of its constituents, and certain vehicle components contain or emit chemicals known to State of California to cause cancer and birth defects or other reproductive harm.



DANGER: This machine was built to be operated according to the safe operation practices in this manual. As with any type of power equipment, carelessness or error on the part of the operator can result in serious injury. This machine is capable of amputating fingers, hands, toes and feet and throwing debris. Failure to observe the following safety instructions could result in serious injury or death.

Training

1. Read, understand, and follow all instructions on the machine and in the manual(s) before attempting to assemble and operate. Keep this manual in a safe place for future and regular reference and for ordering replacement parts.
2. Be familiar with all controls and their proper operation. Know how to stop the machine and disengage them quickly.
3. Never allow children under 16 years of age to operate this machine. Children 16 and over should read and understand the instructions and safe operation practices in this manual and on the machine and be trained and supervised by an adult.
4. Never allow adults to operate this machine without proper instruction.
5. Keep bystanders, pets, and children at least 75 feet from the machine while it is in operation. Stop machine if anyone enters the area.
6. Never run an engine indoors or in a poorly ventilated area. Engine exhaust contains carbon monoxide, an odorless and deadly gas.
7. Do not put hands and feet near rotating parts or in the feeding chambers and discharge opening. Contact with the rotating impeller can amputate fingers, hands, and feet.

8. Never attempt to unclog either the feed intake or discharge opening, remove or empty bag, or inspect and repair the machine while the engine is running. Shut the engine off and wait until all moving parts have come to a complete stop. Disconnect the spark plug wire and ground it against the engine.

Preparation

1. Thoroughly inspect the area where the equipment is to be used. Remove all rocks, bottles, cans, or other foreign objects which could be picked up or thrown and cause personal injury or damage to the machine.
2. Always wear safety glasses or safety goggles during operation and while performing an adjustment or repair, to protect your eyes. Thrown objects which ricochet can cause serious injury to the eyes.
3. Wear sturdy, rough-soled work shoes and close-fitting slacks and shirts. Loose fitting clothes or jewelry can be caught in movable parts. Never operate this machine in bare feet or sandals. Wear leather work gloves when feeding material in the chipper chute.
4. Before starting, check all bolts and screws for proper tightness to be sure the machine is in safe working condition. Also, visually inspect machine for any damage at frequent intervals.
5. Maintain or replace safety and instructions labels, as necessary.

Safe Handling of Gasoline:

To avoid personal injury or property damage use extreme care in handling gasoline. Gasoline is extremely flammable and the vapors are explosive. Serious personal injury can occur when gasoline is spilled on yourself or your clothes which can ignite. Wash your skin and change clothes immediately.

- a. Use only an approved gasoline container.
- b. Never fill containers inside a vehicle or on a truck or trailer bed with a plastic liner. Always place containers on the ground away from your vehicle before filling.
- c. When practical, remove gas-powered equipment from the truck or trailer and refuel it on the ground. If this is not possible, then refuel such equipment on a trailer with a portable container, rather than from a gasoline dispenser nozzle.
- d. Keep the nozzle in contact with the rim of the fuel tank or container opening at all times until fueling is complete. Do not use a nozzle lock-open device.
- e. Extinguish all cigarettes, cigars, pipes and other sources of ignition.
- f. Never fuel machine indoors.
- g. Never remove gas cap or add fuel while the engine is hot or running. Allow engine to cool at least two minutes before refueling.
- h. Never over fill fuel tank. Fill tank to no more than ½ inch below bottom of filler neck to allow space for fuel expansion.
- i. Replace gasoline cap and tighten securely.
- j. If gasoline is spilled, wipe it off the engine and equipment. Move unit to another area. Wait 5 minutes before starting the engine.
- k. To reduce fire hazards, keep machine free of grass, leaves, or other debris build-up. Clean up oil or fuel spillage and remove any fuel soaked debris.
- l. Never store the machine or fuel container inside where there is an open flame, spark or pilot light as on a water heater, space heater, furnace, clothes dryer or other gas appliances.

Operation

1. Do not put hands and feet near rotating parts or in the feeding chambers and discharge opening. Contact with the rotating impeller can amputate fingers, hands, and feet.
2. Before starting the machine, make sure the chipper chute, feed intake, and cutting chamber are empty and free of all debris.
3. Thoroughly inspect all material to be shredded and remove any metal, rocks, bottles, cans, or other foreign objects which could cause personal injury or damage to the machine.

4. If it becomes necessary to push material through the shredder hopper, use a small diameter stick. Do not use your hands or feet.
5. If the impeller strikes a foreign object or if your machine should start making an unusual noise or vibration, immediately shut the engine off. Allow the impeller to come to a complete stop. Disconnect the spark plug wire, ground it against the engine and perform the following steps:
 - a. Inspect for damage.
 - b. Repair or replace any damaged parts.
 - c. Check for any loose parts and tighten to assure continued safe operation.
6. Do not allow an accumulation of processed material to build up in the discharge area. This can prevent proper discharge and result in kickback of material through the feed opening.
7. Do not attempt to shred or chip material larger than specified on the machine or in this manual. Personal injury or machine damage could result.
8. Never attempt to unclog either the feed intake or discharge opening while the engine is running. Shut the engine off, wait until all moving parts have stopped, disconnect the spark plug wire and ground it against the engine before clearing debris.
9. Never operate without the shredder hopper, chipper chute, or chute deflector properly attached to the machine. Never empty or change discharge bag while the engine is running.
10. Keep all guards, deflectors and safety devices in place and operating properly.
11. Keep your face and body back and to the side of the chipper chute while feeding material into the machine to avoid accidental kickback injuries.
12. Never operate this machine without good visibility or light.
13. Do not operate this machine on a paved, gravel or non-level surface.
14. Do not operate this machine while under the influence of alcohol or drugs.
15. Muffler and engine become hot and can cause a burn. Do not touch.
16. Never pick up or carry machine while the engine is running.
17. If situations occur which are not covered in this manual, use care and good judgement. Contact Customer Support for assistance and the name of the nearest service dealer.

Maintenance & Storage

1. Never tamper with safety devices. Check their proper operation regularly.
2. Check bolts and screws for proper tightness at frequent intervals to keep the machine in safe working condition. Also, visually inspect machine for any damage and repair, if needed.

3. Before cleaning, repairing, or inspecting, stop the engine and make certain the impeller and all moving parts have stopped. Disconnect the spark plug wire and ground it against the engine to prevent unintended starting.
4. Do not change the engine governor settings or overspeed the engine. The governor controls the maximum safe operating speed of the engine.
5. Maintain or replace safety and instruction labels, as necessary.
6. Follow this manual for safe loading, unloading, transporting, and storage of this machine.
7. Never store the machine or fuel container inside where there is an open flame, spark or pilot light such as a water heater, furnace, clothes dryer, etc.
8. Allow machine to cool at least 5 minutes before storing.
9. Always refer to the operator's manual for proper instructions on off-season storage.
10. If the fuel tank has to be drained, do this outdoors.
11. Observe proper disposal laws and regulations for gas, oil, etc. to protect the environment.
12. According to the Consumer Products Safety Commission (CPSC) and the U.S. Environmental Protection Agency (EPA), this product has an *Average Useful Life* of seven (7) years, or 60 hours of operation. At the end of the *Average Useful Life* have the machine inspected annually by an authorized service dealer to ensure that all mechanical and safety systems are working properly and not worn excessively. Failure to do so can result in accidents, injuries or death.

Do not modify engine

To avoid serious injury or death, do not modify engine in any way. Tampering with the governor setting can lead to a runaway engine and cause it to operate at unsafe speeds. Never tamper with factory setting of engine governor.

Notice Regarding Emissions

Engines which are certified to comply with California and federal EPA emission regulations for SORE (Small Off Road Equipment) are certified to operate on regular unleaded gasoline, and may include the following emission control systems: Engine Modification (EM), Oxidizing Catalyst (OC), Secondary Air Injection (SAI) and Three Way Catalyst (TWC) if so equipped.

Spark Arrestor






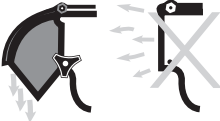

WARNING: This machine is equipped with an internal combustion engine and should not be used on or near any unimproved forest-covered, brushcovered or grass-covered land unless the engine's exhaust system is equipped with a spark arrestor meeting applicable local or state laws (if any).

If a spark arrestor is used, it should be maintained in effective working order by the operator. In the State of California the above is required by law (Section 4442 of the California Public Resources Code). Other states may have similar laws. Federal laws apply on federal lands.

A spark arrestor for the muffler is available through your nearest engine authorized service dealer or contact the service department, P.O. Box 361131 Cleveland, Ohio 44136-0019.

Safety Symbols

This page depicts and describes safety symbols that may appear on this product. Read, understand, and follow all instructions on the machine before attempting to assemble and operate.

Symbol	Description
	READ THE OPERATOR'S MANUAL(S) Read, understand, and follow all instructions in the manual(s) before attempting to assemble and operate
	WARNING— ROTATING BLADES Keep hands out of inlet and discharge openings while machine is running. There are rotating blades inside
	BYSTANDERS Keep bystanders, pets, and children at least 75 feet from the machine while it is in operation. Stop machine if anyone enters the area.
	WARNING— THROWN DEBRIS Never operate without the chute deflector properly attached to the machine.
	EYE PROTECTION Always wear safety glasses or safety goggles when operating this machine.



WARNING: Your Responsibility—Restrict the use of this power machine to persons who read, understand and follow the warnings and instructions in this manual and on the machine.

SAVE THESE INSTRUCTIONS!

Contents of Carton

- One Chipper Shredder
- One Hopper Assembly
- One Chute Deflector
- One Operator's Manual
- One Bag
- One Safety Glasses
- One Engine Operator's Manual
- One Chipper Chute
- One Bottle of Oil

Assembly

NOTE: This unit is shipped without gasoline or oil in the engine. Fill up gasoline and oil as instructed in the accompanying engine manual BEFORE operating your chipper shredder.

Hopper Assembly

1. Remove six hex nuts and washers from the weld studs on the impeller housing. Do not remove the support plate. See Figure 3-1A.

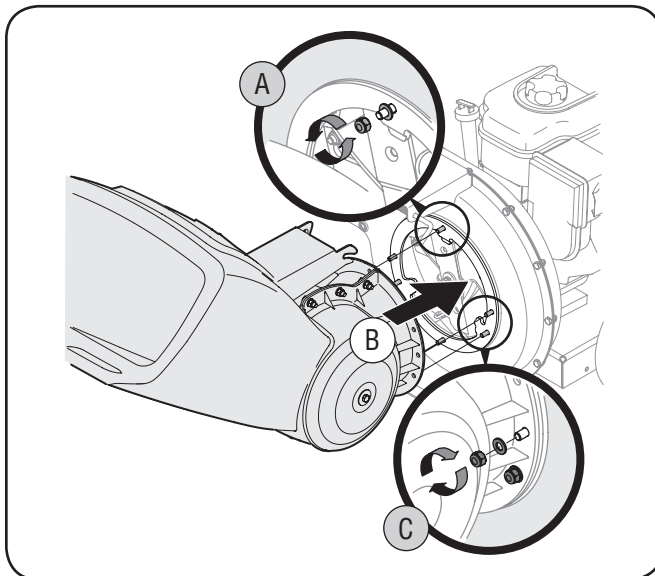


Figure 3-1

2. Place hopper assembly into position in front of impeller housing, aligning holes in hopper assembly collar with weld studs. See Figure 3-1B.
3. Slide hopper assembly onto weld studs and replace washers and hex nuts. See Figure 3-1C. Do not tighten completely.
4. Lift hopper assembly up to impeller bracket assembly. See Figure 3-2A.
5. Slide the release rod out slightly to hook the hopper bracket onto the rod. See Figure 3-2B.
6. Tighten the six hex nuts that secure hopper assembly to impeller housing and also tighten the hex nuts that secure hopper bracket to hopper assembly.

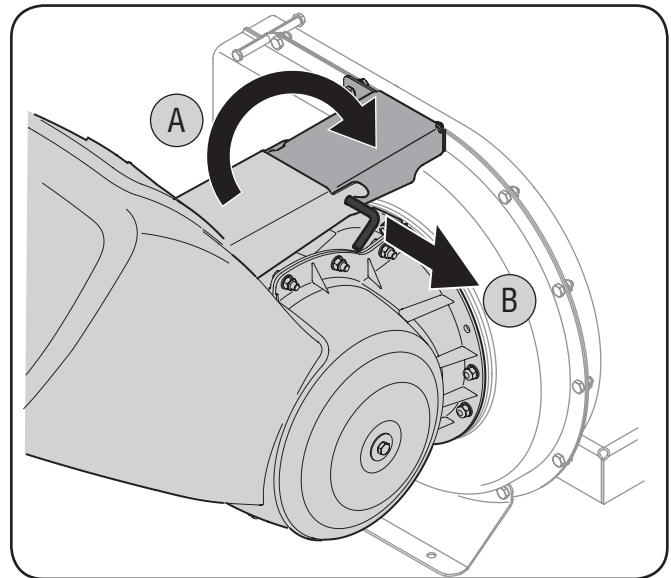


Figure 3-2

Chute Deflector

1. Remove the wing knobs from each side of the lower impeller housing. See Figure 3-3A.
2. Remove the hex lock nut, spacers, and hex bolt from the top of the impeller housing. See Figure 3-3B.

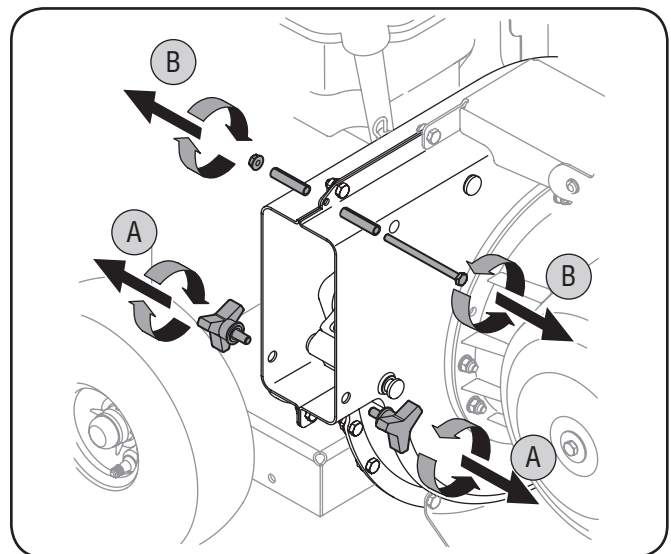


Figure 3-3

- Align the chute deflector in position on the discharge opening and insert hex bolt with spacer through hinge on chute deflector (spacers fit inside of hinges). See Figure 3-4A.
- Place second spacer over hex bolt inside other hinge and secure with hex lock nut. See Figure 3-4B.
- Secure both sides of chute deflector to impeller housing using wing knobs previously removed. See Figure 3-4C.

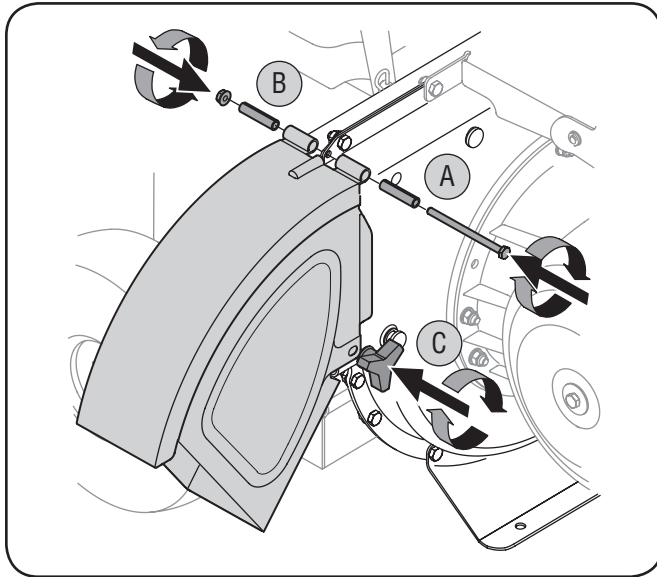


Figure 3-4

Chipper Chute (Model Series 460)

- Remove the three cupped washers and hex nuts from weld studs around the opening on the side of the impeller housing. See Figure 3-5A.
- Remove the hex bolts, flat washers, and lock nuts from the two holes on the upper end of the support brace. See Figure 3-5B.

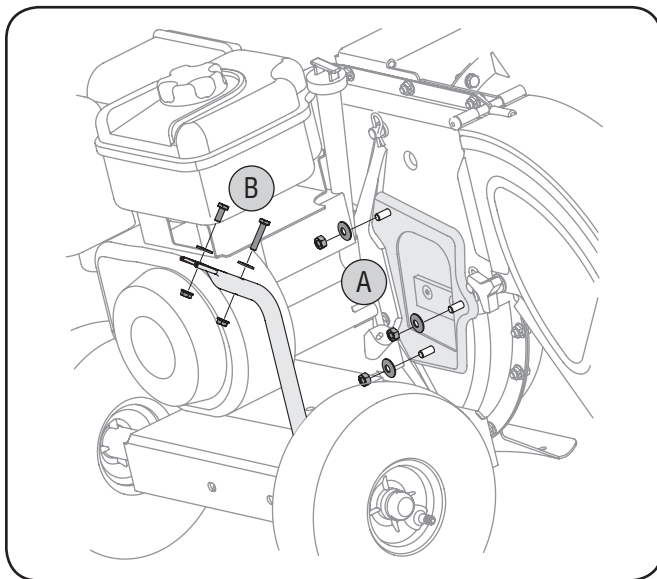


Figure 3-5

- Align the chipper chute over the weld studs, so the slot in the bottom of the chute is facing down. See Figure 3-6A.

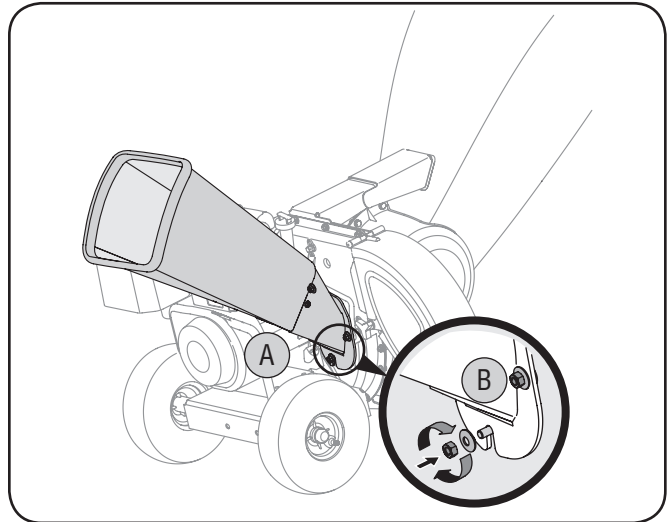


Figure 3-6

- Secure chipper chute with the three cupped washers (cupped side against the chipper chute) and hex nuts previously removed. See Figure 3-6B. Do not tighten the nuts at this time.

The chipper shredder was shipped with one end of the support brace already secured to the lower frame. Loosen but do not remove the bolts securing the brace to the frame.

- Align the holes in the chute with the holes in the top of the brace and attach brace to chipper chute with hardware previously removed. The flat washers should be placed under the bolt heads and against the inside surface of the plastic chipper chute. See Figure 3-7A. Tighten securely.
- Tighten the bolts securing the support brace to the frame. See Figure 3-7B.
- Tighten the three nuts on the weld studs holding the chipper chute to the impeller housing. See Figure 3-7C.

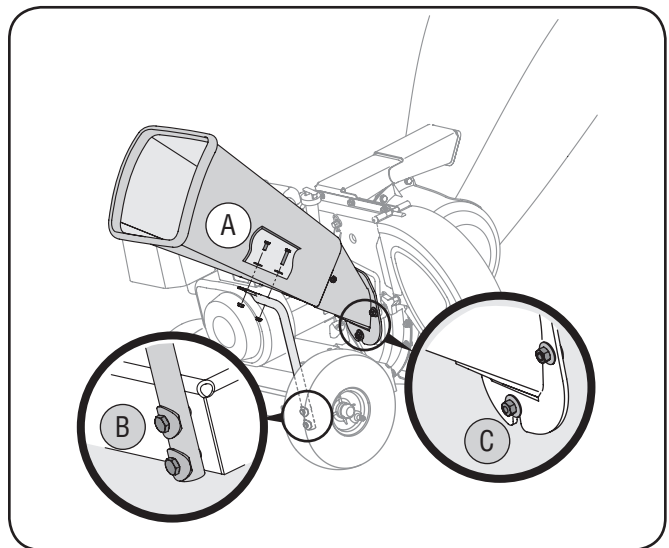


Figure 3-7

Bag

1. Place the opening of the bag completely over the chute deflector. See Figure 3-8A.
2. Pull on the drawstring until the bag is tight around chute deflector opening. See Figure 3-8B.
3. Clip drawstring back on itself, tight against chute deflector to secure into position. See Figure 3-8C.

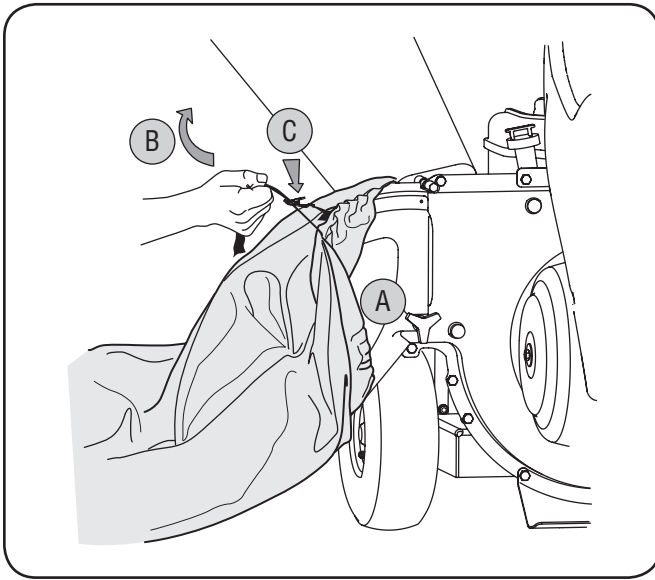


Figure 3-8

Set-Up

Gas and Oil Fill-Up

Refer to the separate engine owner's manual for additional engine information.

1. Add oil provided before starting unit for the first time out of the box.
2. Service the engine with gasoline as instructed in the separate engine owner's manual.



WARNING: Use extreme care when handling gasoline. Gasoline is extremely flammable and the vapors are explosive. Never fuel the machine indoors or while the engine is hot or running. Extinguish cigarettes, cigars, pipes and other sources of ignition.



WARNING: Never fill fuel tank indoors with engine running or until the engine has been allowed to cool for at least two minutes after running.

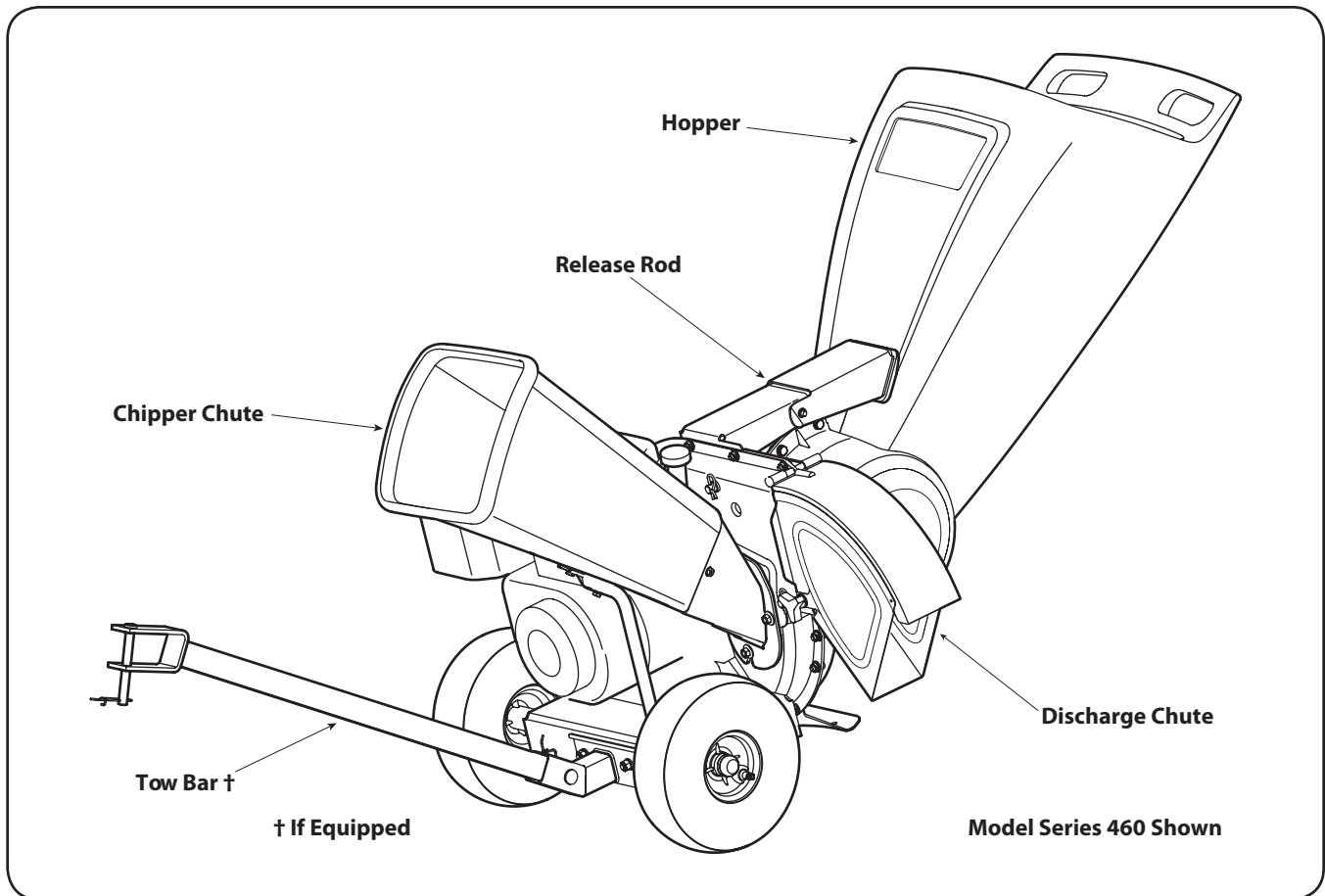


Figure 4-1

Chipper Chute

Model Series 450: Allows twigs and small branches up to 2" in diameter to be fed into the impeller for chipping.

Model Series 460: Allows twigs and small branches up to 3" in diameter to be fed into the impeller for chipping.

Hopper

Allow leaves and small branches up to 1/2 diameter to be fed into the impeller for chipping and shredding. Material can be raked into the hopper by lowering it down to the ground.

Release Rod

The release rod is located on the impeller bracket assembly and it is used to release or lock the hopper when raising or lowering.

Discharge Chute

Debris exits the machine's reduction chamber through the discharge chute.

Oil Fill Cap

Remove oil cap to add oil. Refer to the engine operator's manual for checking and adding oil instructions.

Fuel Fill Cap

Remove the fuel cap to add fuel. Unit runs on regular gas.

Engine Controls

See the engine operator's manual packed with your unit for the location and function of the controls on the engine.



WARNING: The operation of any chipper shredder can result in foreign objects being thrown into the eyes, which can damage your eyes severely. Always wear the safety glasses provided with this unit or eye shields before chipping or shredding and while performing any adjustments or repairs.

Starting Engine

Refer to the engine operator's manual for the starting instructions.

Lowering the Hopper

1. With one hand grasp the handle at the top of the hopper and lift slightly.
2. With the other hand pull out on the release rod and lower the hopper to the ground.

Shredding

Yard waste such as leaves and pine needles can be raked up in the hopper for shredding. After material has been processed by the shredder blade and flails, it will be forced out of the chute deflector, and, if attached, into a debris collection bag.

Observe the following guidelines when shredding yard debris:

- Never attempt to shred material other than normal yard debris (leaves, twigs, pine cones, etc.).
- Avoid shredding fibrous plants such as tomato vines until they are thoroughly dried out. Fresh vines do not shred well and tend to wrap themselves around the impeller and flails.
- Place reasonable amounts of debris into the hopper at a time. Do not overload the hopper.
- Allow the material in the hopper to be drawn into the blades and shredded before adding additional debris to the hopper. Failure to do so may result in a clogged hopper, clogged chute deflector or a stalled engine.

IMPORTANT: The flail screen is located inside the housing in the discharge area. If the flail screen becomes clogged, remove and clean as instructed in the Maintenance & Adjustments section. For best performance, it is also important to keep the chipper blade sharp.

Chipping

Branches up to two inches in diameter can be fed into the chipper chute. Observe the following guidelines when chipping branches:

- Keep both hands firmly on the branch as you feed it into the chipper chute.
- Never feed more than one branch into the chipper chute at a time.
- Never feed anything other than branches (or wood) into the chipper chute.

- Apply intermittent pressure (force, in short pulses) while feeding larger branches into the chipper chute, to avoid bogging or stalling the engine.

IMPORTANT: Never feed branches with a diameter greater than two (2) inches into the chipper chute (Model 450) and (3) inches for Model Series 460. Doing so can result in serious damage to your unit's chipper blades, flails or impeller.

NOTE: For best performance, always operate the unit with sharp chipper blades. If a noticeable loss in performance is encountered while chipping branches, the chipper blades should be replaced.

Emptying the Bag

1. Stop engine.
2. Un-clip drawstring and loosen bag from chute deflector opening.
3. Empty bag and reattach to the discharge chute opening. Pull on the drawstring until the bag is tight around the chute opening and clip the drawstring tight against the chute deflector. See Figure 5-1.

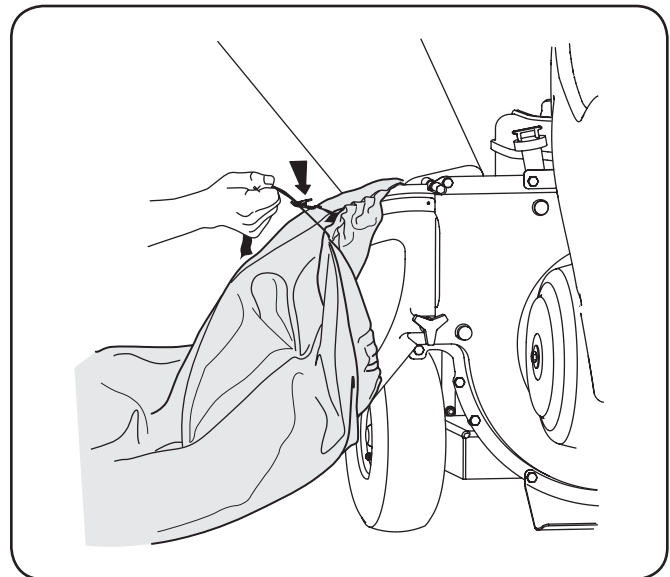


Figure 5-1

Maintenance

General Recommendations

- Always observe safety rules when performing any maintenance.
- The warranty on this chipper shredder does not cover items that have been subjected to operator abuse or negligence. To receive full value from warranty, operator must maintain the equipment as instructed here.
- Changing of engine-governed speed will void engine warranty.
- All adjustments should be checked at least once each season.
- Periodically check all fasteners and make sure these are tight.



WARNING: Always stop engine, disconnect spark plug, and ground against engine before, cleaning, lubricating, or performing any type of maintenance on your machine.

Lubrication

1. Lubricate the release rod and spring with light oil once a season. See Figure 6-1.
2. Lubricate the pivot points on the hopper with light oil once a season.
3. Lubricate the pivot points on the chute deflector with light oil once a season.
4. Follow the separate engine manual packed with your unit for engine lubrication instructions.

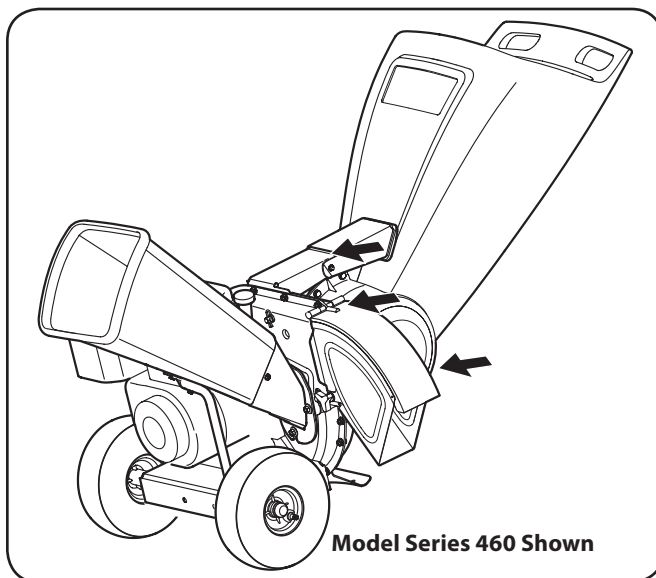


Figure 6-1

Equipment Care

- Clean the chipper shredder thoroughly after each use.
- Wash bag periodically with water. Allow to dry thoroughly in shade.
- If the discharge area becomes clogged, remove flail screen and clean as instructed below.

NOTE: Cleaning with a forceful spray of water is not recommended as it could contaminate the fuel system.

Engine Care

Refer to the Maintenance section of the Engine Owner/ Operator manual packed with your unit. Read and follow instructions carefully.

- Check engine oil level before each use as instructed in the separate engine manual.
- Clean or replace air cleaner every 25 hours under normal conditions. Clean every few hours under extremely dusty conditions. To service the air cleaner, refer to the engine manual.
- The spark plug should be cleaned and the gap reset once a season. Check engine manual for correct plug type and gap specifications.
- Clean engine regularly with a cloth or brush. Keep the top of the engine clean to permit proper air circulation. Remove all grass, dirt, and combustible debris from muffler area.

Removing the Flail Screen



WARNING: The impeller's shredder blade and chipper blades are sharp. Wear leather work gloves to protect your hands when cleaning out the reduction chamber.

If the discharge area becomes clogged, remove the flail screen and clean area as follows:

1. Stop engine and make certain the chipper shredder has come to a complete stop.



WARNING: The muffler and surrounding area will be hot if the engine has been running. Use caution and protect your hands if working near the muffler.

2. Disconnect spark plug wire from spark plug and ground against the engine.
3. Remove the bag and two wing knobs on each side of the chute deflector. See Figure 6-2A.
4. Lift the chute deflector up to keep it out of the way. See Figure 6-2B.
5. Remove the two hairpin clips from each clevis pin which extend through the housing and remove pins. See Figure 6-2C.
6. Remove the flail screen from inside the housing and clean the screen by scraping or washing with water. See Figure 6-2D.
7. Reinstall the screen, making certain to reassemble the flail screen with the curve side down.
8. Reattach the chute deflector with the hardware previously removed and connect the bag to unit.

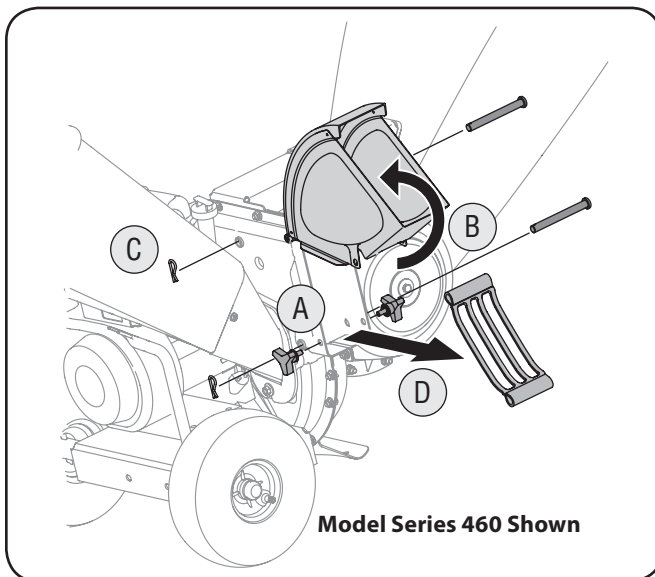


Figure 6-2

Blade Care

Chipper Blades



WARNING: Always stop engine, disconnect spark plug, and ground against engine before cleaning, lubricating or doing any kind of maintenance on your machine.

1. Disconnect the spark plug wire and ground against the engine.
2. Remove the flail screen as instructed in the previous section.
3. Remove the chipper chute by removing three hex nuts and washers. See Figure 7-1A.

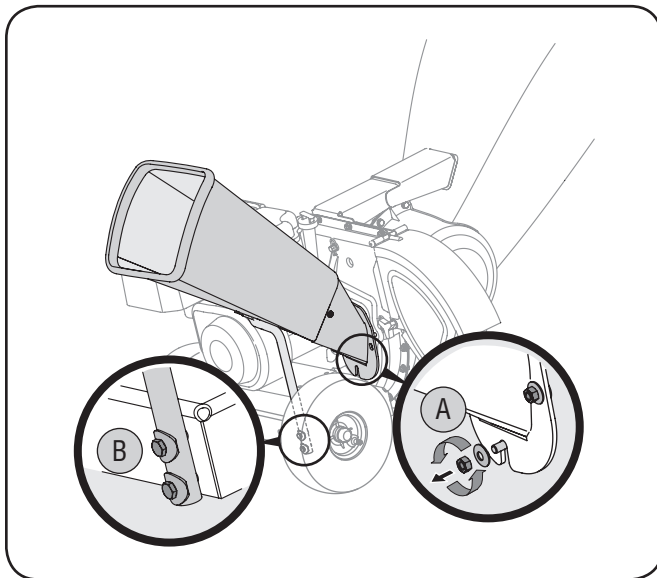


Figure 7-1

4. Remove the chipper chute support brace (Model Series 460) from the frame by removing the hex bolts. See B.
5. Rotate impeller assembly by hand until you locate one of two chipper blades in the chipper chute opening.
6. Remove the blade by removing the internal hex screws, lock washers, and hex nuts which secure it to the impeller. See Figure 7-2. Retain the hardware.

NOTE: Use a 3/16" hex key (Allen) wrench on the outside of the blade and a 1/2" box (or socket) wrench on the inside of the impeller. Hold the Allen wrench stationary and rotate the box (or socket) wrench to loosen the nut.

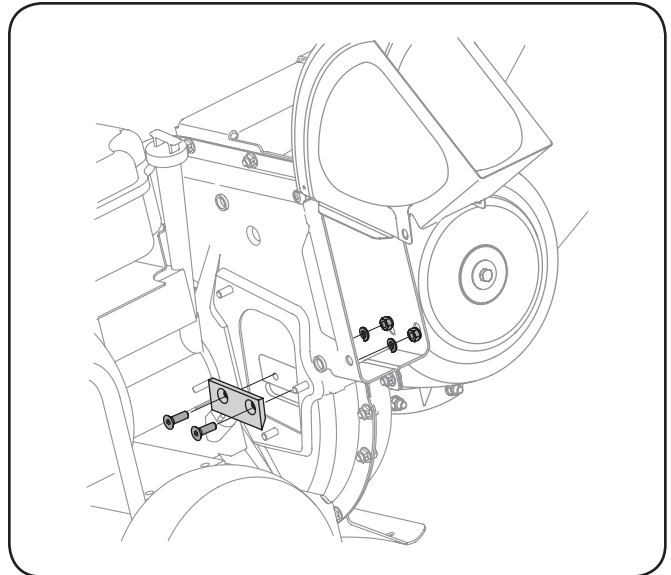


Figure 7-2

7. Install a replacement blade (Part No. 942-0544B) with the hardware removed earlier or sharpen.
8. To replace the other blade, rotate the impeller to expose the second blade and repeat the steps above.

IMPORTANT: When sharpening the blade, protect hands by using gloves. Follow the original angle of grind and make sure to remove an equal amount from each blade.

NOTE: Make certain blades are reassembled with the sharp edge facing upward. Torque hardware to 250 - 300 in. lbs.



WARNING: The impeller's chipper blades and shredder blade are sharp. Wear leather work gloves to protect your hands.

Shredder Blade

1. Stop the engine and make certain that all moving parts have come to a complete stop.
2. Disconnect the spark plug wire and ground against the engine.
3. Lower the hopper assembly and block up the housing.
4. Remove the six hex lock nuts and flat washers from the weld studs on the flail housing. See Figure 7-3A. Retain the hardware.
5. Carefully separate the hopper assembly from the impeller assembly and remove the support plate. See Figure 7-3B.

NOTE: When reassembling the support plate, make certain the embossed tab faces inward towards the impeller.

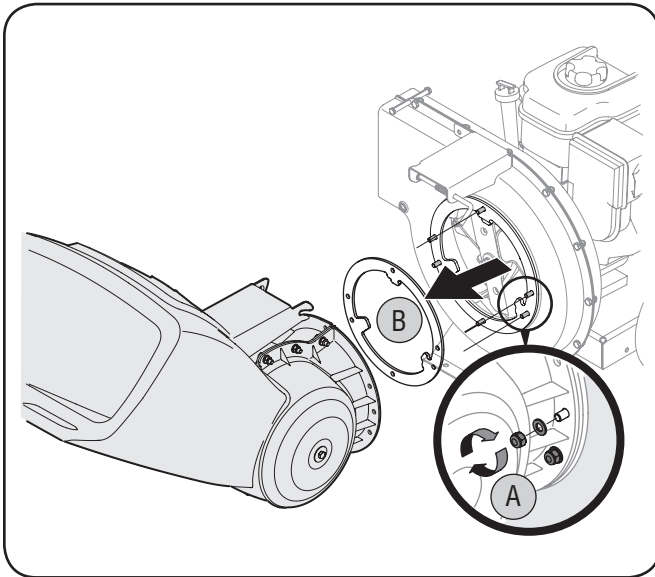


Figure 7-3

6. Remove the two wing knobs and cupped washers that secure the chute deflector and raise the chute.
7. Insert a 1/2" or 3/4" diameter pipe through the flail screen into the impeller to keep it from turning or remove the flail screen and insert a piece of wood into the chute opening.

8. Remove the two internal hex screws, lock washers, and hex lock nuts which secure the shredder blade to the impeller. See Figure 7-4A.

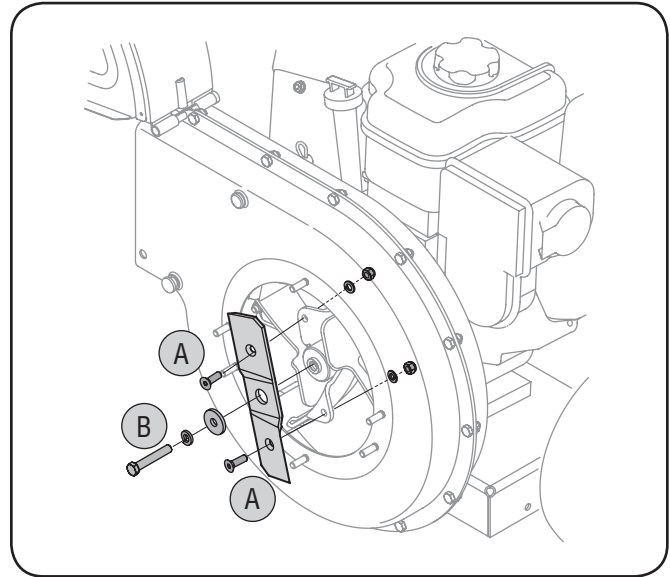


Figure 7-4

9. Remove the hex bolt, lock washer, and flat washer to completely free shredder blade. See Figure 7-4B.

IMPORTANT: When reassembling the shredder blade, tighten center bolt to between 550 and 700 in.-lbs. and the two outside bolts to between 250 and 350 in.-lbs.

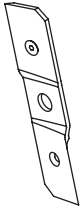
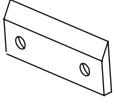
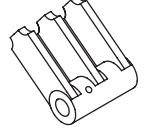
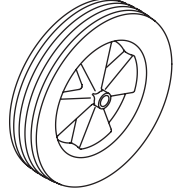
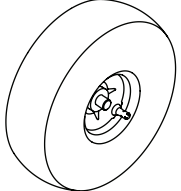
NOTE: Use a 3/16" hex key (Allen) wrench on the outside of the shredder blade and a 1/2" box (or socket) wrench on the inside of the shredder blade. Hold the Allen wrench stationary and rotate the box (or socket) wrench to loosen the nut. Use caution when removing the blade to avoid contacting the weld studs on housing.

IMPORTANT: When sharpening the blade, follow the original angle of grind as a guide. It is extremely important that each cutting edge receives an equal amount of grinding to prevent an unbalanced blade. An unbalanced blade will cause excessive vibration when rotating at high speeds and may cause damage to the unit. The blade can be tested by balancing it on a screwdriver or nail. Remove metal from the heavy side until it is balanced evenly.

Off-Season Storage

- When storing the chipper shredder in an unventilated or metal storage shed, care should be taken to rustproof the non-painted surfaces. Using a light oil or silicone, coat the equipment, especially any springs, bearings, and cables.
- Remove all dirt from exterior of engine and equipment.
- Follow lubrication recommendations.
- Refer to engine manual for correct engine storage instructions.
- Store equipment in a clean, dry area. Do not store in an area where equipment is present that may use a pilot light or has a component that can create a spark.

Problem	Cause	Remedy
Excessive Vibration	1. Loose parts or damaged impeller.	2. See authorized service dealer.
Unit does not discharge	1. Discharge area clogged. 2. Foreign object lodged in impeller. 3. Low engine RPM.	1. Stop engine immediately and disconnect spark plug wire. Clean flail screen and inside of discharge opening. 2. Stop engine and disconnect spark plug wire. Remove lodged object. 3. Always run engine at full throttle.
Rate of discharge slows considerably or composition of discharged material changes	1. Low engine RPM. 2. Chipper blade dull.	1. Always run engine at full throttle. 2. Replace chipper blade or see your authorized service dealer.

Component	Part Number and Description
	942-0571 Shredder Blade
	942-0544B Chipper Blade (2)
	719-04308 Flail Blade (4 total)
	734-1600 Wheel Asm Comp 10 X 2.50
	934-04009 Wheel Asm Comp 10X4

Phone (800) 800-7310 to order replacement parts or a complete Parts Manual (have your full model number and serial number ready). Parts Manual downloads are also available free of charge at www.mtdproducts.com.

MANUFACTURER'S LIMITED WARRANTY FOR



The limited warranty set forth below is given by MTD LLC with respect to new merchandise purchased and used in the United States and/or its territories and possessions, and by MTD Products Limited with respect to new merchandise purchased and used in Canada and/or its territories and possessions (either entity respectively, "MTD").

This warranty is in addition to any applicable emissions warranty provided with your product.

"MTD" warrants this product (excluding its *Normal Wear Parts* and Attachments as described below) against defects in material and workmanship for a period of two (2) years commencing on the date of original purchase and will, at its option, repair or replace, free of charge, any part found to be defective in materials or workmanship. This limited warranty shall only apply if this product has been operated and maintained in accordance with the Operator's Manual furnished with the product, and has not been subject to misuse, abuse, commercial use, neglect, accident, improper maintenance, alteration, vandalism, theft, fire, water, or damage because of other peril or natural disaster. Damage resulting from the installation or use of any part, accessory or attachment not approved by MTD for use with the product(s) covered by this manual will void your warranty as to any resulting damage.

Normal Wear Parts are warranted to be free from defects in material and workmanship for a period of thirty (30) days from the date of purchase. Normal wear parts include, but are not limited to items such as: batteries, belts, blades, blade adapters, tines, grass bags, wheels, rider deck wheels, seats, snow thrower skid shoes, friction wheels, shave plates, auger spiral rubber and tires.

Attachments — MTD warrants attachments for this product against defects in material and workmanship for a period of one (1) year, commencing on the date of the attachment's original purchase or lease. Attachments include, but are not limited to items such as: grass collectors and mulch kits.

HOW TO OBTAIN SERVICE: Warranty service is available, WITH PROOF OF PURCHASE, through your local authorized service dealer. To locate the dealer in your area:

In the U.S.A.

Check your Yellow Pages, or contact MTD LLC at P.O. Box 361131, Cleveland, Ohio 44136-0019, or call 1-800-800-7310, 1-330-220-4683 or log on to our Web site at www.mtdproducts.com.

In Canada

Contact MTD Products Limited, Kitchener, ON N2G 4J1, or call 1-800-668-1238 or log on to our Web site at www.mtdcanada.com.

This limited warranty does **not** provide coverage in the following cases:

- a. The engine or component parts thereof. These items may carry a separate manufacturer's warranty. Refer to applicable manufacturer's warranty for terms and conditions.

- b. Log splitter pumps, valves, and cylinders have a separate one- year warranty.
- c. Routine maintenance items such as lubricants, filters, blade sharpening, tune-ups, brake adjustments, clutch adjustments, deck adjustments, and normal deterioration of the exterior finish due to use or exposure.
- d. Service completed by someone other than an authorized service dealer.
- e. MTD does not extend any warranty for products sold or exported outside of the United States and/or Canada, and their respective possessions and territories, except those sold through MTD's authorized channels of export distribution.
- f. Replacement parts that are not genuine MTD parts.
- g. Transportation charges and service calls.
- h. MTD does not warrant this product for commercial use.

No implied warranty, including any implied warranty of merchantability or fitness for a particular purpose, applies after the applicable period of express written warranty above as to the parts as identified. No other express warranty, whether written or oral, except as mentioned above, given by any person or entity, including a dealer or retailer, with respect to any product, shall bind MTD. During the period of the warranty, the exclusive remedy is repair or replacement of the product as set forth above.

The provisions as set forth in this warranty provide the sole and exclusive remedy arising from the sale. MTD shall not be liable for incidental or consequential loss or damage including, without limitation, expenses incurred for substitute or replacement lawn care services or for rental expenses to temporarily replace a warranted product.

Some states do not allow the exclusion or limitation of incidental or consequential damages, or limitations on how long an implied warranty lasts, so the above exclusions or limitations may not apply to you.

In no event shall recovery of any kind be greater than the amount of the purchase price of the product sold. **Alteration of safety features of the product shall void this warranty.** You assume the risk and liability for loss, damage, or injury to you and your property and/or to others and their property arising out of the misuse or inability to use the product.

This limited warranty shall not extend to anyone other than the original purchaser or to the person for whom it was purchased as a gift.

HOW STATE LAW RELATES TO THIS WARRANTY: This limited warranty gives you specific legal rights, and you may also have other rights which vary from state to state.

IMPORTANT: Owner must present Original Proof of Purchase to obtain warranty coverage.

**MTD LLC, P.O. BOX 361131 CLEVELAND, OHIO 44136-0019; Phone: 1-800-800-7310, 1-330-220-4683
MTD Canada Limited - KITCHENER, ON N2G 4J1; Phone 1-800-668-1238**

Gracias

Gracias por comprar una cortadora trituradora fabricada por MTD usted. Mismo ha sido diseñada cuidadosamente para brindar excelente rendimiento si se la opera y mantiene correctamente.

Por favor lea todo este manual antes de operar el equipo. Le indica cómo configurar de forma segura y sencilla, operar y mantener el equipo. Por favor, asegúrese de que usted y cualquier otra persona que opere la máquina, siga cuidadosamente las prácticas de seguridad recomendadas en todo momento. El no hacerlo podría resultar en lesiones personales o daños materiales .

Toda la información en este manual hace referencia a la información más reciente del producto disponible en el momento de la impresión . Revise el manual frecuentemente para familiarizarse con la unidad, sus características y funcionamiento. Tenga en cuenta que este Manual del Operador puede cubrir una gama de especificaciones de productos de diferentes modelos . Características y funciones incluidas y / o ilustradas en este manual pueden no ser aplicables a todos los modelos. MTD se reserva el derecho de cambiar las

especificaciones, los diseños y el equipo sin previo aviso y sin incurrir en obligaciones.

En su caso, la información de las pruebas de potencia se utiliza para establecer la potencia nominal del motor equipado en esta máquina se puede encontrar en www.opei.org o sitio web del fabricante del motor .

Si usted tiene algún problema o duda respecto a la unidad, llame a su distribuidor de servicio Troy-Bilt autorizado o póngase en contacto con nosotros directamente. Número de MTD de soporte al cliente de teléfono, dirección del sitio web y dirección de correo se pueden encontrar en esta página . Queremos garantizar su entera satisfacción en todo momento.

A lo largo de este manual , se observan todas las referencias al lado derecho e izquierdo de la máquina de la posición de funcionamiento

Para todas las cuestiones relacionadas con el motor con el rendimiento , potencia de salida, especificaciones , garantía y mantenimiento , por favor consulte / Manual del operador del propietario del motor, embalaje por separado con su máquina.

Índice

Importante Medidas importantes de seguridad	20	Servicio.....	32
Ensamblado y Configuración.....	24	Solución de Problemas	34
Controles y Características.....	27	Repuestos.....	35
Funcionamiento	28	Garantía	Cubierta Trasera
Mantenimiento y Ajustes.....	30		

Registro de información de producto

Antes de configurar y operar su equipo nuevo, por favor localice la placa del modelo en el equipo y registre la información en el área situada a la derecha. Para encontrar la placa de modelo, colóquese detrás de la unidad en la posición del operador y mire hacia la parte inferior de la sección trasera del chasis. Si tiene que solicitar soporte técnico a través de nuestro sitio web, el Departamento de Asistencia al Cliente, o de un distribuidor de servicio autorizado local, necesitará esta información.

NÚMERO DE MODELO

--	--	--	--	--	--	--	--	--	--	--	--

NÚMERO DE SERIE

--	--	--	--	--	--	--	--	--	--	--	--

Asistencia al Cliente

Por favor, NO devuelva la unidad al minorista o distribuidor sin ponerse en contacto primero con el Departamento de Asistencia al Cliente.

En caso de tener problemas para montar este producto o de tener dudas con respecto a los controles, funcionamiento o mantenimiento del mismo, puede solicitar la ayuda de expertos. Elija entre las opciones que se presentan a continuación:

◇ Visite nuestro sitio web en www.mtdproducts.com



Vea-Cómo Mantenimiento y Recambios Videos de instalación en www.mtdparts.com/KnowledgeCenter

◇ Llame a un representante de Asistencia al Cliente al (800) 800-7310 ó (330) 220-4683

◇ Escribanos a MTD LLC • P.O. Box 361131 • Cleveland, OH • 44136-0019

Medidas importantes de seguridad

2



ADVERTENCIA: La presencia de este símbolo indica que se trata de instrucciones importantes de seguridad que se deben respetar para evitar poner en peligro su seguridad personal y/o material y la de otras personas. Lea y siga todas las instrucciones de este manual antes de poner en funcionamiento esta máquina. Si no respeta estas instrucciones puede provocar lesiones personales.

Cuando vea este símbolo - **¡TENGA EN CUENTAS LAS ADVERTENCIAS!**

PROPOSICIÓN 65 DE CALIFORNIA



ADVERTENCIA: El escape del motor de este producto, algunos de sus componentes y algunos componentes del vehículo contienen o liberan sustancias químicas que el estado de California considera que pueden producir cáncer, defectos de nacimiento u otros problemas reproductivos.



PELIGRO: Esta máquina está diseñada para ser utilizada respetando las normas de seguridad contenidas en este manual. Al igual que con cualquier tipo de equipo motorizado, un descuido o error por parte del operador puede producir lesiones graves. Esta máquina es capaz de amputar dedos, manos y pies y de arrojar objetos extraños con gran fuerza. De no respetar las instrucciones de seguridad siguientes se pueden producir lesiones graves o la muerte.

Capacitación

1. Lea, entienda y cumpla todas las instrucciones incluidas en la máquina y en los manuales antes de montarla y utilizarla. Guarde este manual en un lugar seguro para consultas futuras y regulares, así como para solicitar repuestos.
2. Familiarícese con todos los controles y su operación adecuada. Sepa cómo detener la máquina y cómo desengranar los controles rápidamente.
3. No permita nunca que los niños menores de 16 años utilicen esta máquina. Los niños de 16 años y más mayores deben leer y comprender las instrucciones de operación y las reglas de seguridad contenidas en este manual, y también deben ser capacitados y estar supervisados por uno de los padres.
4. Nunca permita que los adultos operen esta máquina sin recibir antes la instrucción apropiada.
5. Mantenga a los transeúntes, ayudantes, mascotas y niños al menos a 75 pies de la máquina mientras está operando. Detenga la máquina si alguien entra en la zona.
6. Nunca encienda un motor en espacios cerrados o en una zona con poca ventilación. El escape del motor contiene monóxido de carbono, un gas inodoro y letal.
7. No ponga las manos o los pies cerca de las piezas rotatorias o en las cámaras de alimentación ni en la abertura de descarga. El contacto con el motor rotatorio puede producir la amputación de dedos, manos o pies.

8. Nunca trate de destapar la toma de alimentación o la abertura de descarga, ni trate de sacar o vaciar la bolsa de la aspiradora, ni de revisar y reparar la máquina mientras el motor está en marcha. Apague el motor y espere hasta que todas las piezas móviles se hayan detenido por completo. Desconecte el cable de la bujía y póngalo de manera que haga masa contra el motor.

Preparativos

1. Inspeccione minuciosamente el área donde utilizará el equipo. Retire todas las piedras, botellas, latas u otros objetos extraños que puedan ser levantados o arrojados causando lesiones personales o daños a la máquina.
2. Para protegerse los ojos utilice siempre anteojos o antiparras de seguridad mientras opera la máquina o mientras la ajusta o repara. Los objetos arrojados que rebotan pueden lesionar gravemente la vista.
3. Utilice zapatos de trabajo resistentes, de suela fuerte, así como pantalones y camisas ajustados. Las prendas sueltas o las alhajas pueden quedar atrapadas en las piezas móviles. Nunca utilice la máquina descalzo o con sandalias. Utilice guantes de trabajo de cuero cuando alimente material por el canal de la cortadora.
4. Antes de encender la máquina controle que todos los pernos y tornillos estén bien ajustados para comprobar que la máquina se encuentra en condiciones seguras de operación. Además, realice una inspección visual de la máquina a intervalos frecuentes para controlar si la misma está dañada.
5. Mantenga o reemplace las etiquetas de seguridad e instrucciones según sea necesario.

Manejo seguro de la gasolina

Para evitar lesiones personales o daños materiales sea sumamente cuidadoso al manipular la gasolina. La gasolina es altamente inflamable y sus vapores pueden causar explosiones. Se puede lesionar gravemente si derrama gasolina sobre usted o sobre la ropa ya que se puede encender. Lávese la piel y cámbiese de ropa de inmediato.

1. Utilice sólo recipientes para gasolina autorizados.
2. Nunca llene los contenedores en el interior de un vehículo o camión o caja de camioneta con recubrimientos plásticos. Coloque siempre los recipientes en el piso y lejos del vehículo antes de llenarlos.
3. Retire el equipo a gasolina del camión o remolque y llénelo en el piso. Si esto no es posible, entonces llene dicho equipo en un remolque con un recipiente portátil, en vez de desde un dispensador de gasolina.
4. Mantenga la boquilla de llenado en contacto con el borde de la entrada del tanque de gasolina o contenedor en todo momento hasta que esté lleno. No utilice un dispositivo para abrir/cerrar la boquilla.
5. Apague todos los cigarrillos, cigarras, pipas y otras fuentes de combustión.
6. Nunca cargue combustible en la máquina en un espacio cerrado.
7. Nunca saque la tapa del gas ni agregue combustible mientras el motor está caliente o en marcha. Deje que el motor se enfríe por lo menos dos minutos antes de volver a cargar combustible.
8. Nunca recargue el tanque de combustible. Llene el tanque no más de 1/2 pulgada por debajo de la base del cuello del filtro para dejar espacio para la dilatación del combustible.
9. Vuelva a colocar la tapa de la gasolina y ajústela bien.
10. Limpie la gasolina derramada sobre el motor y el equipo. Traslade la máquina a otra zona. Espere 5 minutos antes de encender el motor.
11. Nunca almacene la máquina o el recipiente de combustible en un espacio cerrado donde haya fuego, chispas o luz piloto (por ejemplo, hornos, calentadores de agua, calefactores, secadores de ropa, etc.)
12. Para reducir el riesgo de incendio mantenga la máquina limpia de pasto, hojas y de acumulación de otros desechos. Limpie los derrames de aceite o combustible y saque todos los desechos embebidos con combustible.

Operación

1. No ponga las manos o los pies cerca de las piezas rotatorias o en las cámaras de alimentación ni en la abertura de descarga. El contacto con el motor rotatorio puede producir la amputación de dedos, manos o pies.
2. Antes de encender la máquina compruebe que el canal de la cortadora, la toma de alimentación y la cámara de corte están vacías y sin desechos.
3. Inspeccione minuciosamente todo el material que desea triturar y saque los objetos metálicos, piedras, botellas, latas u otros objetos extraños que pueden ocasionar lesiones o dañar la máquina.

4. Si es necesario empujar el material por la tolva de la trituradora use un palo de diámetro pequeño. No utilice las manos ni los pies.
5. Si el motor golpea un objeto extraño o si la máquina empieza a producir un sonido poco común o una vibración, apague el motor de inmediato. Deje que el motor se detenga por completo. Desconecte el cable de la bujía, póngalo de manera que haga masa contra el motor y siga estos pasos:
 - a. Inspeccione la máquina para ver si está dañada.
 - b. Repare o reemplace las piezas dañadas.
 - c. Controle si hay piezas flojas y ajústelas para asegurar que la máquina funcione de manera segura y continua.
6. No permita que se acumule material procesado en la zona de descarga. El mismo puede obstaculizar la descarga adecuada y provocar el retorno del material a través de la abertura de alimentación.
7. No intente triturar ni picar material de mayor tamaño al especificado en la máquina o en este manual. Se podrían producir lesiones o daños.
8. Nunca trate de destapar la toma de alimentación o la abertura de descarga mientras el motor está en marcha. Apague el motor y espere hasta que todas las piezas que se mueven se hayan detenido por completo, desconecte el cable de la bujía y póngalo de manera que haga masa contra el motor antes de sacar los escombros.
9. Nunca opere la máquina sin que la tolva de la trituradora, el canal de la cortadora o el canal deflector estén correctamente conectados a la máquina. Nunca vacíe ni cambie la bolsa de descarga mientras el motor está en marcha.
10. Mantenga todos los protectores, desviadores y dispositivos de seguridad en su lugar y en buenas condiciones.
11. Mientras alimenta material dentro de la máquina mantenga su rostro y su cuerpo detrás y hacia un costado del canal de la cortadora para evitar lesiones por retrocesos accidentales.
12. Nunca opere esta máquina sin buena visibilidad o iluminación.
13. No opere esta máquina en superficies con grava.
14. No opere esta máquina estando bajo los efectos del alcohol o de drogas.
15. El silenciador y el motor se calientan y pueden producir quemaduras. No los toque.
16. Nunca levante o transporte la máquina cuando el motor está encendido.
17. Si se presentan situaciones que no están previstas en este manual sea cuidadoso y use el sentido común. Marque para contactar el departamento de atención al cliente y obtener el nombre de su distribuidor más cercano.

Mantenimiento y almacenamiento

1. Nunca manipule los dispositivos de seguridad de manera imprudente. Controle periódicamente que funcionen de forma adecuada.
2. Controle frecuentemente que todos los pernos y tornillos estén bien ajustados para comprobar que la máquina se encuentra en condiciones seguras de funcionamiento. Además, realice una inspección visual de la máquina para controlar si la misma está dañada y repárela de ser necesario.
3. Antes de limpiar, reparar o inspeccionar la máquina, detenga el motor y compruebe que el mismo y que todas las piezas móviles se hallan detenidos. Desconecte el cable de la bujía y póngalo de manera que haga masa contra el motor para evitar que se encienda de manera accidental.
4. No cambie la configuración del regulador del motor ni acelere demasiado el mismo. El regulador controla la velocidad máxima segura de operación del motor.
5. Mantenga o reemplace las etiquetas de seguridad e instrucciones según sea necesario.
6. Siga las instrucciones de este manual para cargar, descargar, transportar y almacenar de manera segura esta máquina.
7. Nunca almacene la máquina o el recipiente de combustible en un espacio cerrado donde haya fuego, chispas o luz piloto como por ejemplo, calentadores de agua, hornos, secadores de ropa, etc.
8. Deje que la máquina se enfríe por lo menos 5 minutos antes de guardarla.
9. Consulte siempre el manual del operador para conocer las instrucciones adecuadas para el almacenamiento fuera de temporada.
10. Si debe vaciar el tanque de combustible, hágalo al aire libre.
11. Respete las normas referentes a la disposición correcta y las reglamentaciones sobre gas, combustible, etc. para proteger el medio ambiente.

No modifique el motor

Para evitar lesiones graves o la muerte, no modifique el motor bajo ninguna circunstancia. Si cambia la configuración del regulador el motor puede descontrolarse y operar a velocidades inseguras. Nunca cambie la configuración de fábrica del regulador del motor.

Aviso referido a emisiones

Los motores que están certificados y cumplen con las regulaciones de emisiones federales EPA y de California para SORE (Equipos pequeños todo terreno) están certificados para operar con gasolina común sin plomo y pueden incluir los siguientes sistemas de control de emisiones: Modificación de motor (EM) y catalizador de tres vías (TWC) si están equipados de esa manera.

Guardachispas



ADVERTENCIA: Esta máquina está equipada con un motor de combustión interna y no debe ser utilizada en o cerca de un terreno agreste cubierto por bosque, malezas o hierba excepto si el sistema de escape del motor está equipado con un amortiguador de chispas que cumpla con las leyes locales o estatales correspondientes, en caso de haberlas.

Si se utiliza un amortiguador de chispas el operador lo debe mantener en condiciones de uso adecuadas. En el Estado de California las medidas anteriormente mencionadas son exigidas por ley (Artículo 4442 del Código de Recursos Públicos de California). Es posible que existan leyes similares en otros estados. Las leyes federales se aplican en territorios federales.

Puede conseguir el amortiguador de chispas para el silenciador a través de su distribuidor autorizado de motores o poniéndose en contacto con el departamento de servicios, P.O. Box 361131 Cleveland, Ohio 44136-0019.

Vida útil media

Según la Comisión de Seguridad de Productos para el Consumidor de los Estados Unidos (CPSC) y la Agencia de Protección Ambiental de los Estados Unidos (EPA), este producto tiene una *vida útil media* de siete (7) años, ó 60 horas de funcionamiento. Al finalizar la *vida útil media*, adquiera una máquina nueva o haga inspeccionar anualmente ésta por un distribuidor de servicio autorizado para cerciorarse de que todos los sistemas mecánicos y de seguridad funcionan correctamente y no tienen excesivo desgaste. Si no lo hace, pueden producirse accidentes, lesiones o muerte.



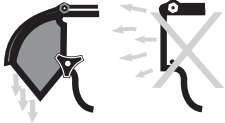



ADVERTENCIA: Su responsabilidad—Restrinja el uso de esta máquina motorizada a las personas que lean, comprendan y respeten las advertencias e instrucciones que figuran en este manual y en la máquina.

GUARDE ESTAS INSTRUCCIONES

Símbolos De Seguridad

Esta página representa y describe la seguridad los símbolos que pueden parecer en este producto. Lea, comprenda, y siga todas instrucciones en la máquina antes procurar para reunir y operar.

Símbolo	Descripción
	<p>LEA EL MANUAL(S) DEL OPERADOR</p> <p>Lea, comprenda, y siga todas instrucciones en el manual (manuales) antes procurar para reunir y operar</p>
	<p>ADVERTENCIA— GIRANDO HOJAS</p> <p>Mantenga manos fuera de aperturas de cala y descarga mientras máquina corre. Allí giran hojas adentro</p>
	<p>ESPECTADORES</p> <p>Mantenga a espectadores, los animales favoritos, y los niños por lo menos 75 pies de la máquina mientras está en la operación. Pare máquina si cualquiera entra el área.</p>
	<p>ADVERTENCIA— ESCOMBROS TIRADOS</p> <p>Nunca operar sin el deflector de tobogán conectó apropiadamente a la máquina.</p>
	<p>PROTECCION DE OJO</p> <p>Siempre lleve gafas de seguridad o gafas de seguridad al operar esta máquina.</p>



¡ADVERTENCIA! Su Responsabilidad—Restringe el uso de esta máquina del poder a personas que leen, comprenden y siguen las advertencias y las instrucciones en este manual y en la máquina.

¡GUARDE ESTAS INSTRUCCIONES!

Contenido de la caja

- Una Cortadora Trituradora
- Uno Manual de Operador
- Uno Manual de Operador de Motor
- Uno Montaje de tolva
- Una Bolsa
- Uno Canal de la cortadora
- Uno Canal deflector
- Uno Anteojos de seguridad
- Uno Botella del Aceite

Montaje

NOTA: Esta unidad se envía sin gasolina ni aceite en el motor. Llene con gasolina y aceite como se indica en las instrucciones que se incluyen en el manual de motor adjunto ANTES de poner en funcionamiento su cortadora trituradora .

Montaje de Tolva

1. Saque seis tuercas hexagonales y arandelas de los espárragos de la soldadura de la caja del motor. No saque la placa de sostén. Vea la Fig. 3-1A.

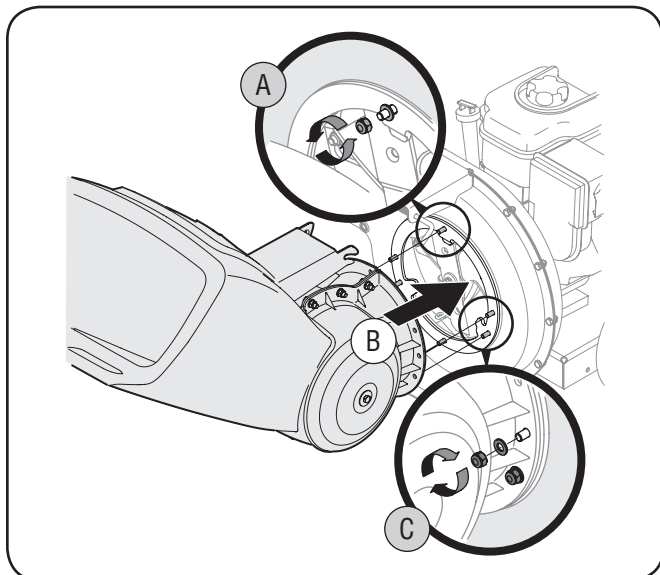


Figura 3-1

2. Coloque el montaje de la tolva en posición delante de la caja del motor, alineando los agujeros del montaje del aro de la tolva con los espárragos de la soldadura. Vea la Fig. 3-1B.
3. Deslice el montaje de la tolva sobre los espárragos de la soldadura y vuelva a colocar las arandelas y las tuercas hexagonales. Vea la Fig. 3-1C. No las ajuste por completo.
4. Levante el montaje de la tolva hasta el montaje del soporte de motor. Vea la Fig. 3-2A.
5. Deslice la varilla de liberación hacia afuera levemente para enganchar el soporte de tolva en la varilla. Vea la Fig. 3-2B.
6. Ajuste las seis tuercas hexagonales que unen el montaje de la tolva a la caja del motor y ajuste también las arandelas hexagonales que unen el soporte de la tolva al montaje de la misma.

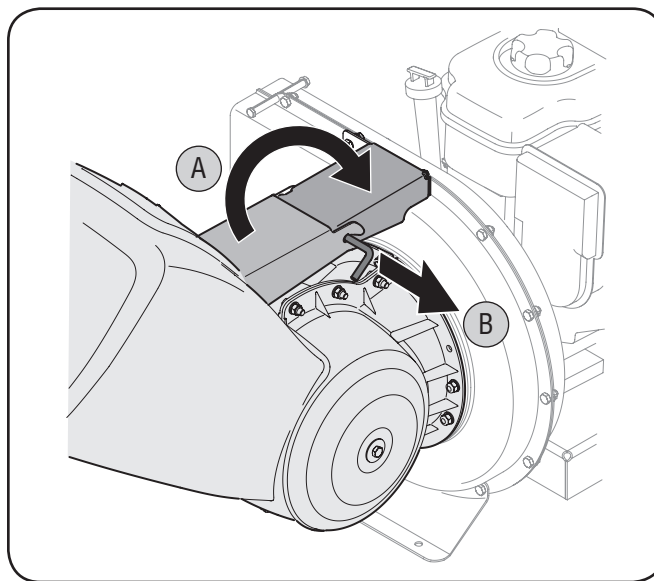


Figura 3-2

Canal deflector

1. Saque las perillas a mariposa de los costados de la caja inferior del motor. Vea la Fig. 3-3A.

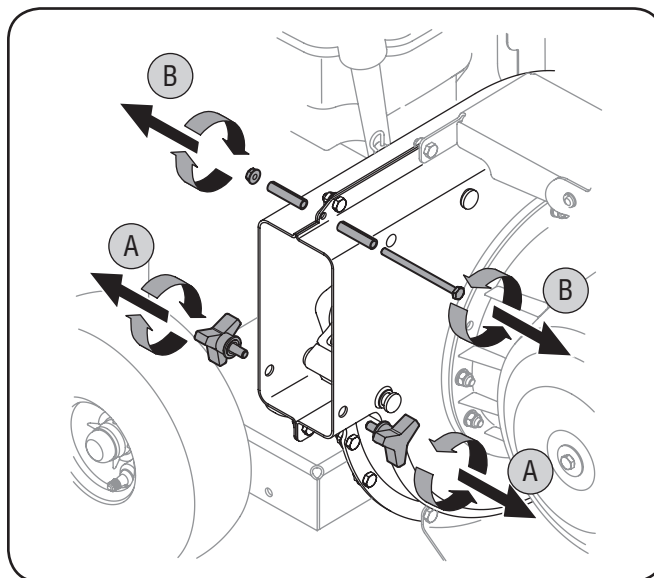


Figura 3-3

2. Saque la tuerca de seguridad hexagonal, los separadores y el bulón hexagonal de la parte superior de la caja del motor. Vea la Fig. 3-3B.
3. Ponga en línea el canal deflector en su posición en la abertura de descarga e inserte el bulón hexagonal con el separador a través de la bisagra del canal deflector (los separadores van dentro de las bisagras). Vea la Fig. 3-4A.

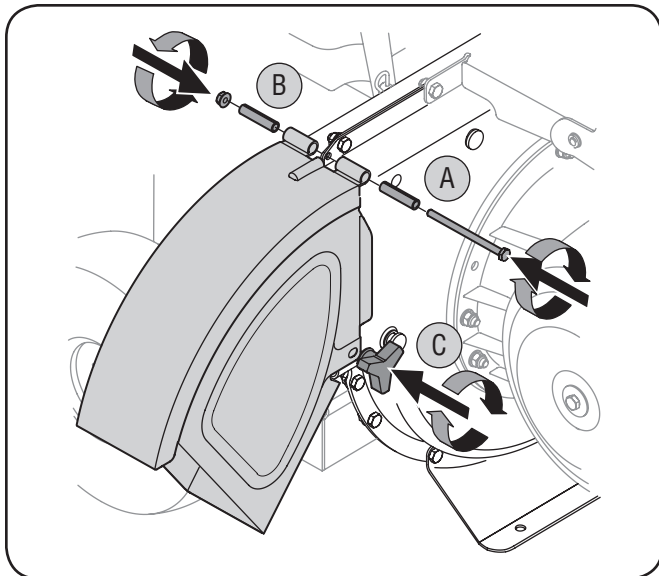


Figura 3-4

4. Coloque el segundo separador sobre el bulón hexagonal dentro de la otra bisagra y ajústelo con la tuerca de seguridad hexagonal. Vea la Fig. 3-4B.
5. Ajuste ambos costados del canal deflector a la caja del motor utilizando las perillas a mariposa que había sacado anteriormente. Vea la Fig. 3-4C.

Canal de la cortadora (Modelo Serie 460)

1. Saque las tres arandelas curvas y las tuercas hexagonales de los espárragos de la soldadura que están alrededor de la abertura en el costado de la caja del motor. Vea la Fig. 3-5A.

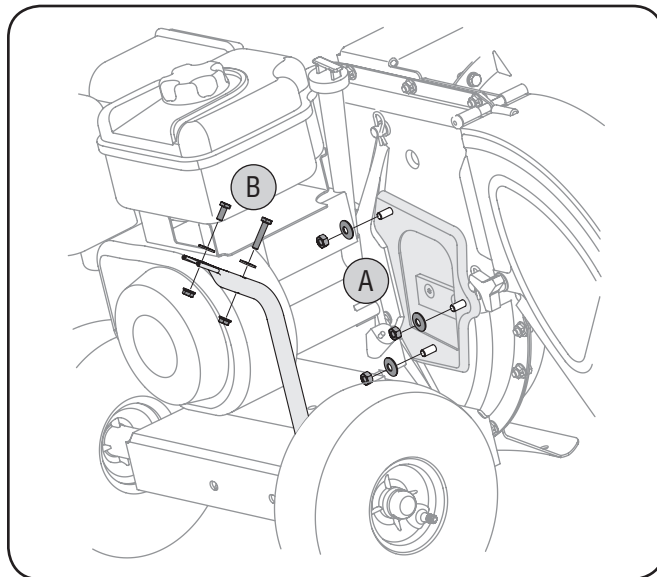


Figura 3-5

2. Saque los bulones hexagonales, las arandelas planas y las tuercas de seguridad de los dos agujeros del extremo superior de la traba de sostén. Vea la Fig. 3-5B.
3. Ponga en línea el canal de la cortadora por encima de los espárragos de la soldadura de manera que la ranura en la base del canal mire hacia abajo. Vea la Fig. 3-6A.

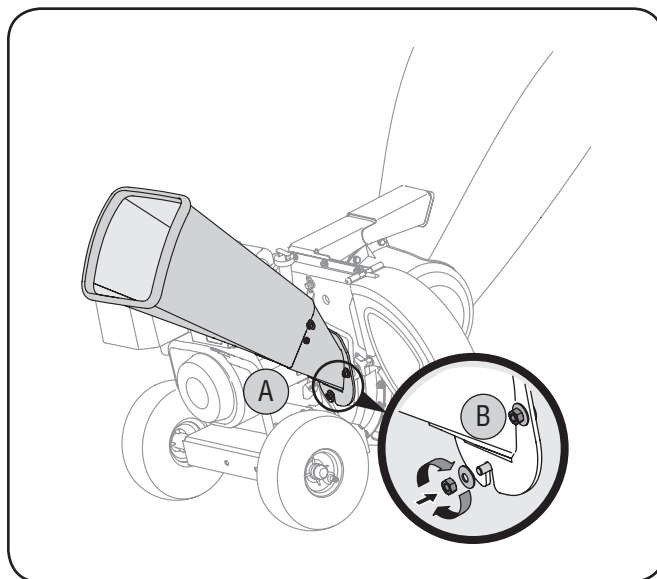


Figura 3-6

- Ajuste el canal de la cortadora con tres arandelas curvas (con el lado curvo contra el canal de la cortadora) y con las tuercas hexagonales que había sacado anteriormente. Vea la Fig. 3-6B. No ajuste las tuercas en este momento.

La cortadora trituradora fue enviada con un extremo de la traba de sostén ya unido al bastidor inferior. Afloje pero no saque los bulones que unen la traba al bastidor.

- Ponga en línea los agujeros del canal con los agujeros de la parte superior de la traba y una la misma al canal de la cortadora con los elementos de ferretería previamente retirados. Las arandelas llanas deberían ser colocadas bajo las cabezas de cerrojo y contra la superficie interior del plástico chipper tolva. Vea la Fig. 3-7A. Ajuste bien.

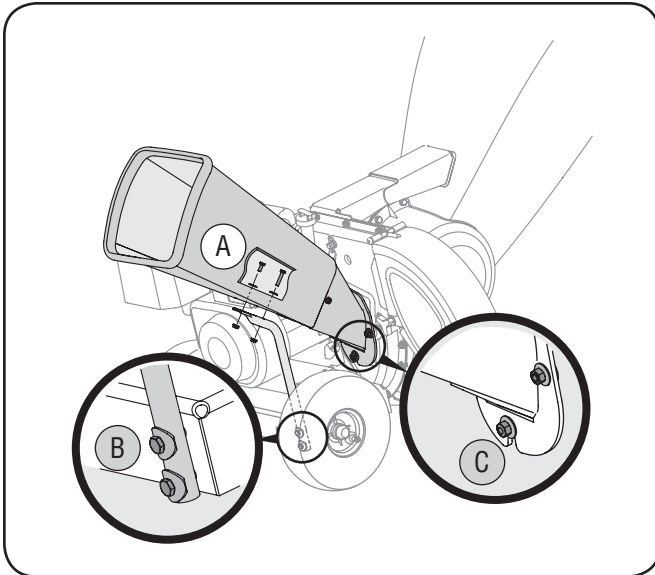


Figura 3-7

- Ajuste los bulones que unen la traba de sostén al bastidor. Vea la Fig. 3-7B.
- Ajuste las tres tuercas de los espárragos de la soldadura que sostienen el canal de la cortadora a la caja del motor. Vea la Fig. 3-7C.

Bolsa

- Coloque la abertura de la bolsa completamente sobre el canal deflector. Vea la Fig. 3-8A.

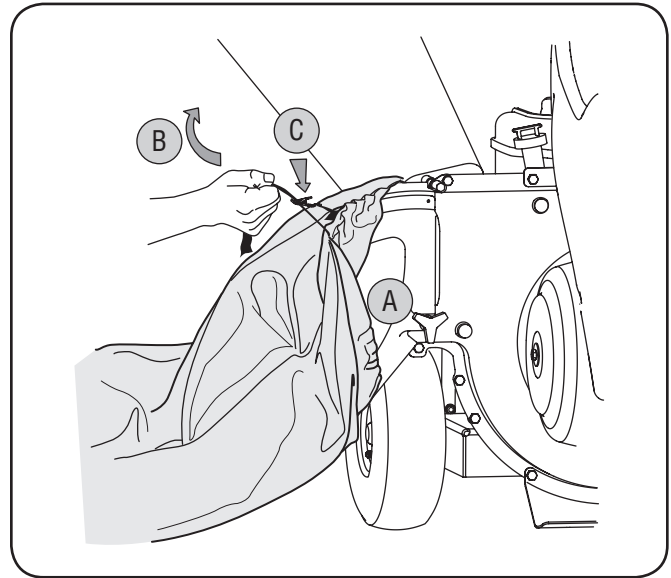


Figura 3-8

- Tire de la tira de extracción hasta que la bolsa quede ajustada alrededor de la abertura del canal deflector. Vea la Fig. 3-8B.
- Vuelva a sujetar la tira de extracción sobre sí misma, apriétela contra el canal deflector para que quede firme en su lugar. Vea la Fig. 3-8C.

Configuración

Llenado de gasolina y aceite

Refiérase a las instrucciones del manual del motor para la información de motor.

- Añadir el petróleo proporcionado antes de la unidad inicial por primera vez de la caja.
- Atender el motor con la gasolina como instruido en el manual del motor.



ADVERTENCIA: Tenga extremo cuidado cuando manipule gasolina. La gasolina es altamente inflamable y sus vapores pueden causar explosiones. Nunca agregue combustible a la máquina en interiores o mientras el motor está caliente o en funcionamiento. Apague cigarrillos, cigarros, pipas y otras fuentes de combustión.



ADVERTENCIA: Nunca llene el depósito de combustible dentro del correr de motor o hasta que se haya permitido que el motor se enfríe durante al menos dos minutos después del correr.

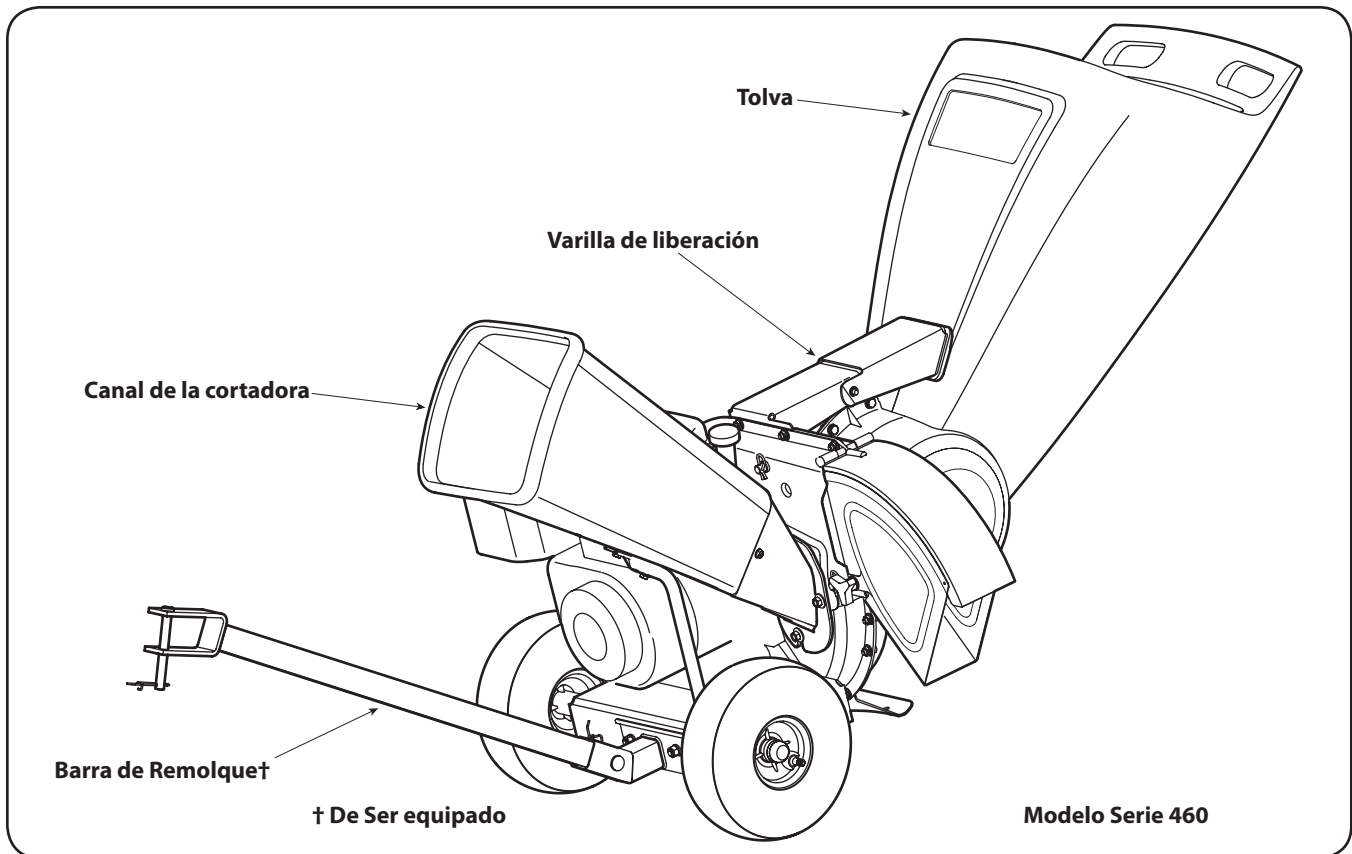


Figure 4-1

Canal de la cortadora

Permite que las ramas pequeñas de hasta 3" de diámetro (2" en el caso del modelo serie 450) ingresen al motor para ser picadas. Vea la Figure 4-1.

Tolva

Permita que las hojas y las ramas pequeñas de hasta 1/2 de diámetro ingresen al motor para ser picadas y trituradas. Bajando la tolva se puede rastrear material e introducirlo dentro del mismo.

Varilla de liberación

La varilla de liberación está ubicada en el montaje del soporte del motor y se usa para liberar o trabar la tolva al momento de subir o bajar.

Barra de remolque (De Ser equipado)

Use la barra de remolque para remolcar la cortadora trituradora mediante una unidad de tracción hasta el lugar de operación. Vea la Figure 4-1.

NOTA: Si su unidad no está equipada con una barra de remolque, puede comunicarse con el servicio de Asistencia al Cliente según las instrucciones de la página 2 para consultar información sobre precio y disponibilidad.

Arrancador de Retroceso

El arrancador de retroceso es localizado en el motor. Tire el arrancador de retroceso para comenzar el motor.

Controles del motor

Consulte el manual de Propietario/Operador empaquetado con su unidad para ver la ubicación y función de los controles del motor.



ADVERTENCIA: Al operar una cortadora trituradora puede ser que objetos extraños sean arrojados a los ojos lo cual puede dañarlos gravemente. Utilice siempre los anteojos de seguridad provistos con esta unidad o protectores para ojos antes de picar o triturar el material o mientras realiza ajustes o reparaciones.

Encendido del Motor

Consulte el manual del operario del motor para las instrucciones de arranque.

Cómo bajar la tolva

1. Con una mano tome la manija que se encuentra en la parte superior de la tolva y levántela levemente.
2. Con la otra mano tire hacia afuera de la varilla de liberación y baje la tolva hasta el piso.

Trituración

El desecho que se acumula en los patios como por ejemplo las hojas y las agujas de los pinos puede ser rastrillar en la tolva para triturarlo. Después de procesar el material con la cuchilla de la trituradora y de desgranar, es empujado fuera del deflector del canal y, si está instalada, hacia el interior de la bolsa de recolección de desechos.

Respete las siguientes pautas cuando triture desechos que se acumulan en los patios:

- Sólo utilice la máquina para triturar el material que se encuentra en un patio normal (hojas, ramas, piñas de los pinos, etc.).
- Evite la trituración de plantas fibrosas como, por ejemplo, las de tomates hasta que estén totalmente secas. Las plantas de tomates frescas no se trituran bien y tienden a enroscarse alrededor del motor y del desgranado.
- Coloque cantidades razonables de desechos en la tolva por vez. No sobrecargue la tolva.
- Permita que el material que se encuentra en la tolva sea atraído hasta las cuchillas y triturado antes de agregar más desechos dentro de la misma. De no hacerlo se puede tapan la tolva, el deflector del canal o detener el motor.

IMPORTANTE: La pantalla de desgranado está ubicada dentro de la caja en la zona de descarga. Si se tapa la pantalla de desgranado, sáquela y límpiela como se indica en la sección Mantenimiento Y Ajustes. Para obtener el mejor resultado también es importante mantener afilada la cuchilla de la cortadora.

IMPORTANTE: Nunca alimente ramas con un diámetro superior a dos (2) pulgadas en el canal de la cortadora (Modelo 450) y (3) pulgadas de la serie Modelo 460 Si lo hace, puede provocar daños graves a cuchillas de la cortadora de su unidad, desgranado o el motor.

NOTA: Para un mejor rendimiento, siempre opere la unidad con las cuchillas de la cortadora. Si se produce una pérdida notable en el rendimiento, mientras que picar ramas, se deben reemplazar las cuchillas de la cortadora.

Corte

Se puede permitir el ingreso de ramas de hasta 2" (modelo serie 450) o 3" (modelo serie 460) de diámetro en el canal de la cortadora. Respete las siguientes pautas para el corte de las ramas:

- Mantenga ambas manos firmemente en la rama a medida que la coloca dentro del canal de la cortadora.
- No ponga nunca más de una rama dentro del canal de la cortadora por vez.
- En el canal de la cortadora sólo se puede colocar ramas (de madera).
- Aplique presión intermitente (fuerza, en impulsos cortos) cuando coloque ramas más largas dentro del canal de la cortadora para evitar inundar o ahogar el motor.

IMPORTANTE: Nunca coloque ramas con un diámetro superior a dos (2) pulgadas (modelo serie 450) o tres (3) pulgadas (modelo serie 460) dentro del canal de la cortadora. De hacerlo se pueden dañar gravemente las cuchillas de corte, el desgranado o el motor de la unidad.

NOTA: Para mejores resultados, opere siempre la unidad con cuchillas de corte afiladas. Si se produce una reducción apreciable en el rendimiento mientras se cortan ramas, se debe reemplazar las cuchillas de la cortadora.

Vaciado de la bolsa

1. Detenga el motor.
2. Suelte la cuerda de extracción y afloje la bolsa de la abertura del canal deflector.
3. Vacíe la bolsa y vuelva a colocarla en la abertura del canal de descarga. Tire de la cuerda hasta que la bolsa esté ajustada alrededor de la abertura del canal y sujete la cuerda apretándola contra el canal deflector. Vea la Figure 5-1.

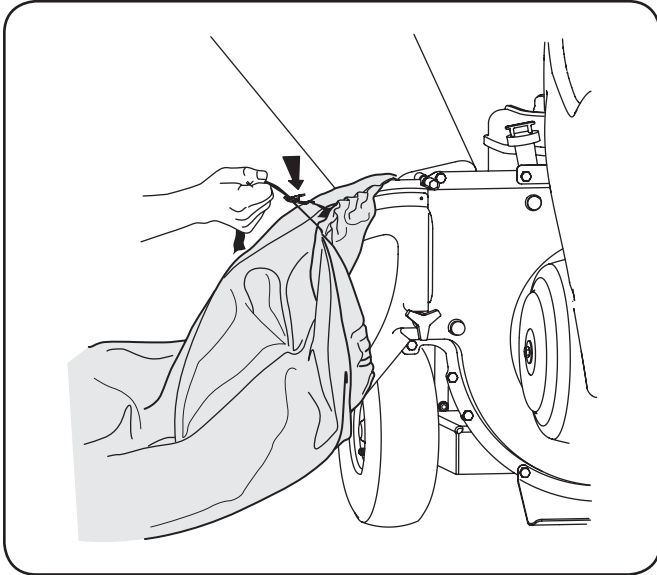


Figure 5-1

Mantenimiento

Recomendaciones Generales

- Respete siempre las reglas de seguridad cuando realice tareas de mantenimiento.
- La garantía de esta la cortadora trituradora no cubre elementos que han estado sujetos al mal uso o la negligencia del operador. Para recibir el reembolso total de la garantía, el operador deberá dar mantenimiento al equipo como se indica en este manual.
- El cambio de la velocidad controlada del motor invalidará la garantía del motor.
- Todos los ajustes deben ser verificados por lo menos una vez en cada estación.
- Revise periódicamente todos los sujetadores y compruebe que estén bien ajustados.



ADVERTENCIA: Detenga siempre el motor, desconecte la bujía y haga masa contra el motor antes de limpiar, lubricar o hacer llevar a cabo cualquier clase de mantenimiento en su máquina.

Lubricación

1. Lubrique la varilla y el resorte de liberación con aceite liviano una vez por temporada. Vea la Figure 6-1.

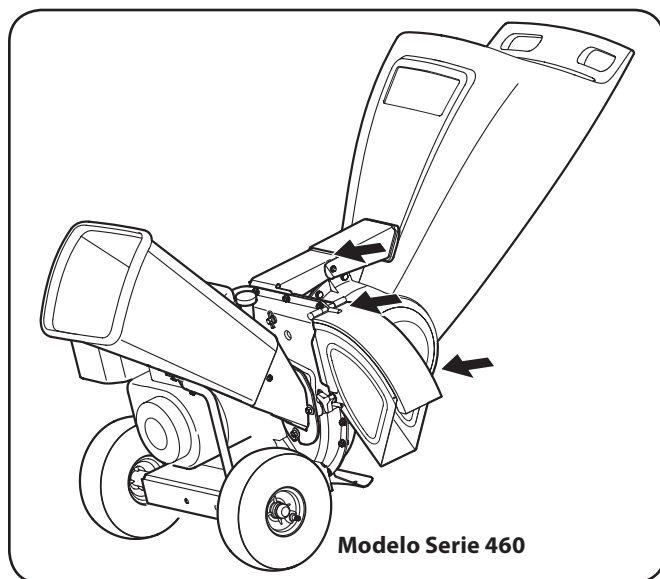


Figure 6-1

2. Lubrique los puntos de pivote del montaje de la tolva con aceite liviano una vez por temporada.
3. Lubrique los puntos de pivote del canal de descarga con aceite liviano una vez por temporada.
4. Siga el manual de motor separado embalado por su unidad para instrucciones de lubricación de motor.

Care de Equipo

- Limpie cuidadosamente la cortadora trituradora después de cada uso.
- Lave la bolsa con agua periódicamente. Permita que se seque bien en un sitio a la sombra.
- Si se tapa la zona de descarga, sáquela la pantalla de desgranado y límpiela como se indica abajo.

NOTA: La limpieza con un chorro de agua a presión no se recomienda, ya que el sistema de combustible podría resultar contaminado.

Cuidados para el motor

NOTA: Refiérase a las secciones de mantenimiento y operación de motor en este manual para instrucciones detalladas.

- Verifique el nivel de aceite.
- Limpie el filtro de aire cada 100 horas o por lo menos una vez por temporada en condiciones normales de uso. Limpie a intervalos de pocas horas cuando haya mucho polvo.
- Limpie la bujía y restablezca la distancia disruptiva cada 25 horas o por lo menos una vez por temporada.
- Limpie el motor regularmente con un trapo o cepillo. Mantenga limpio el sistema de enfriamiento (área del soplador) para permitir la circulación apropiada de aire. Quite todo el césped, suciedad y residuos combustibles del área del silenciador.

Extracción de la Pantalla de Desgranado



ADVERTENCIA: Las cuchillas de trituración y de corte del motor están afiladas. Use guantes de trabajo de cuero para protegerse las manos cuando limpie la zona de descarga.

Si la zona de descarga se tapa, saque la pantalla de desgranado y limpie la zona como se indica a continuación:

1. Detenga el motor y compruebe que la cortadora trituradora se haya detenido por completo.



ADVERTENCIA: El silenciador y la zona circundante están calientes si el motor ha estado en funcionamiento. Sea precavido y protéjase las manos si trabaja cerca del silenciador.

2. Desconecte el cable de la bujía y póngalo haciendo masa contra el motor.
3. Retire la bolsa y dos perillas a mariposa a cada lado del canal deflector. Vea la Figure 6-2A.

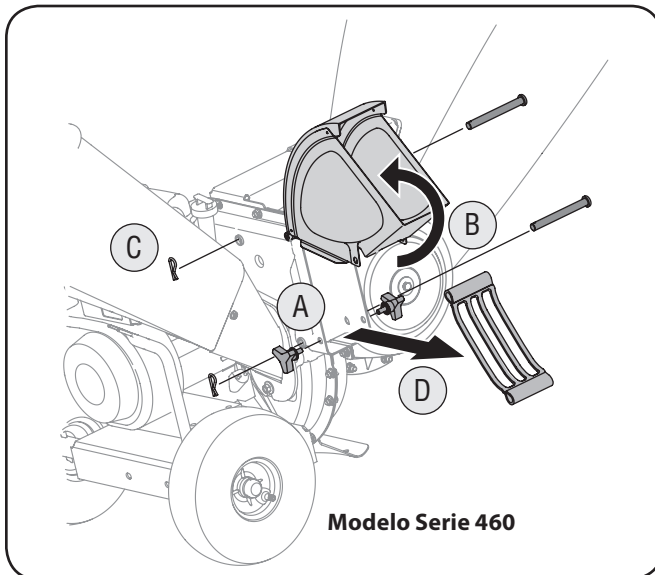


Figure 6-2

4. Levante el canal deflector para mantenerlo fuera del paso. Vea la Figure 6-2B.
5. Saque los dos broches de horquilla de cada pasador de horquilla que se extiende cruzando la caja y saque los pasadores. Vea la Figure 6-2C.
6. Saque la pantalla de desgranado del interior de la caja y limpie la pantalla cepillándola o lavándola con agua. Vea la Figure 6-2D.
7. Vuelva a colocar la pantalla y asegúrese de reensamblarla con el lado curvo hacia abajo.
8. Vuelva a unir el canal deflector con los elementos de ferretería previamente sacados y conecte la bolsa a la unidad.

Cuidado de la Cuchilla

Las cuchillas de la cortadora



ADVERTENCIA: Detenga siempre el motor, desconecte la bujía y haga masa contra el motor antes de limpiar, lubricar o llevar a cabo cualquier clase de mantenimiento en su máquina.

1. Desconecte el cable de la bujía y póngalo de manera que haga masa contra el motor.
2. Saque la pantalla de desgranado conforme se indica en la sección anterior.
3. Saque el canal de la cortadora quitando tres tuercas hexagonales y arandelas. Vea la Figure 7-1A.

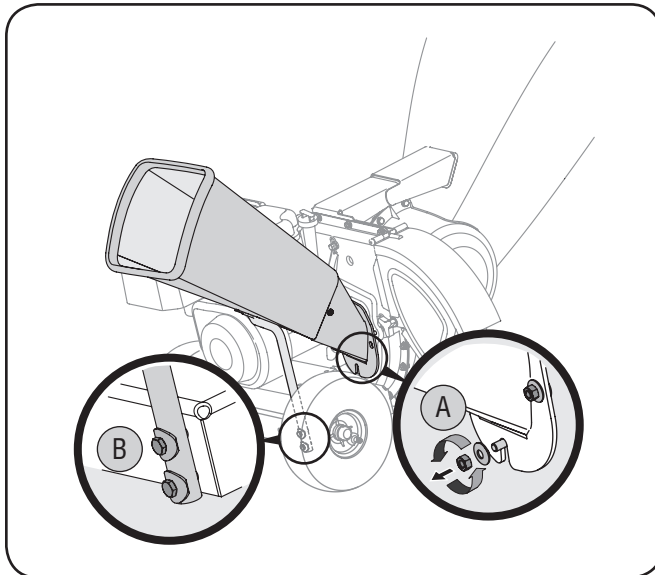


Figure 7-1

4. Saque del bastidor la traba de sostén del canal de la cortadora (Modelo serie 460) quitando los bulones hexagonales. Vea la Figure 7-1B.
5. Gire el montaje del motor en forma manual hasta ubicar una de las dos cuchillas de la cortadora en la abertura del canal de la cortadora.
6. Para sacar la cuchilla saque los tornillos hexagonales internos, las arandelas de seguridad y las tuercas hexagonales que la sujetan al motor. Vea la Figure 7-2. Guarde los elementos de ferretería.

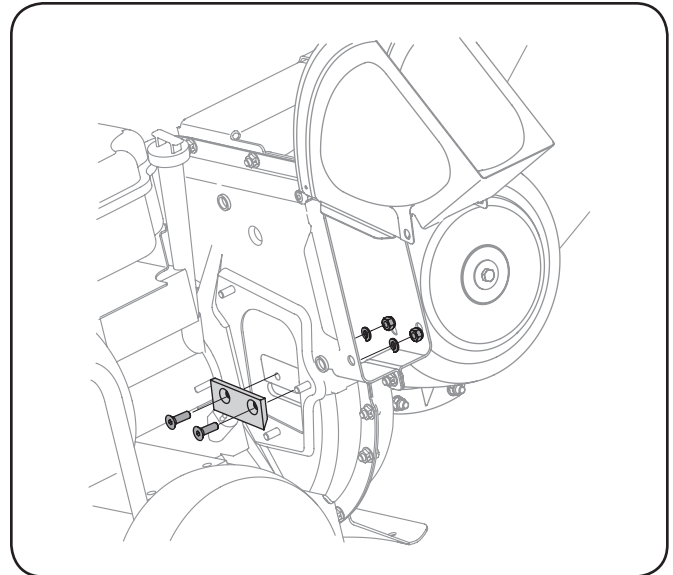


Figure 7-2

NOTA: Use una llave hexagonal de 3/16" (Allen) en el exterior de la cuchilla y una llave de tubo de 1/2" (o cubo) en el interior del motor. Sostenga la llave Allen firmemente y gire la llave de tubo (o cubo) para aflojar la tuerca.

7. Coloque una cuchilla de repuesto (Número de pieza 942-0544B) con los elementos de ferretería que extrajo anteriormente o afílela.
8. Para reemplazar la otra cuchilla, gire el motor para exponer la segunda cuchilla y repita los pasos anteriores.

NOTA: Compruebe que las cuchillas se reensamben con el filo hacia arriba. Ajuste los elementos de ferretería a 250 - 300 pulgadas libras.



ADVERTENCIA: Las cuchillas de trituración y la cuchilla de corte del motor son filosas. Utilice guantes de trabajo de cuero para protegerse las manos.

LA cuchilla de la trituradora

1. Detenga el motor y verifique que todas las piezas móviles se hayan detenido por completo.
2. Desconecte el cable de la bujía y póngalo de manera que haga masa contra el motor.
3. Baje el montaje de la tolva y trabe la caja.
4. Saque las seis tuercas hexagonales de seguridad y las arandelas planas de los espárragos de la soldadura de la caja de desgranado. Vea la Figure 7-3A. Guarde los elementos de ferretería.

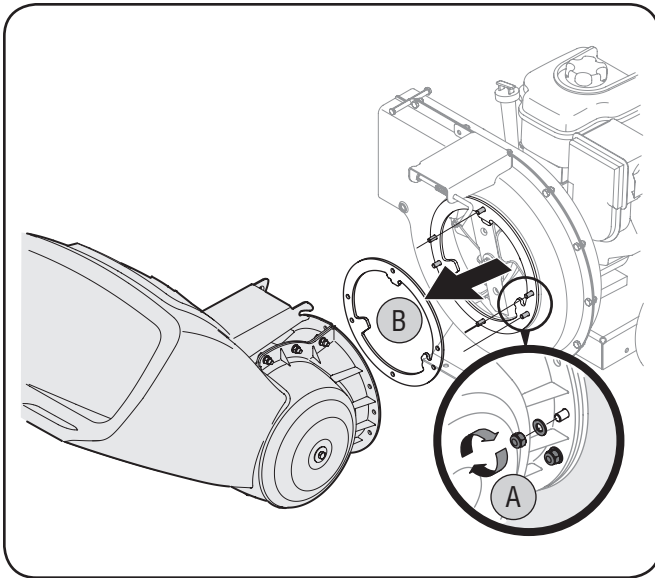


Figure 7-3

5. Con mucho cuidado separe el montaje de la tolva del montaje del motor y retire la placa de sostén. Vea la Figure 7-3B.
NOTA: Cuando vuelva a montar la placa de sostén compruebe que la aleta grabada mire hacia adentro hacia el motor.
6. Saque las dos perillas a mariposa y las arandelas curvas que unen el canal deflector y levántelo.
7. Inserte un tubo de 1/2" o 3/4" de diámetro a través de la pantalla de desgranado hacia el interior del motor para evitar que el mismo gire o saque la pantalla de desgranado e inserte un trozo de madera en la abertura del canal.
8. Saque los dos tornillos hexagonales internos, las arandelas de seguridad y las tuercas de seguridad hexagonales que sujetan la cuchilla de la trituradora al motor. Vea la Figure 7-4A.

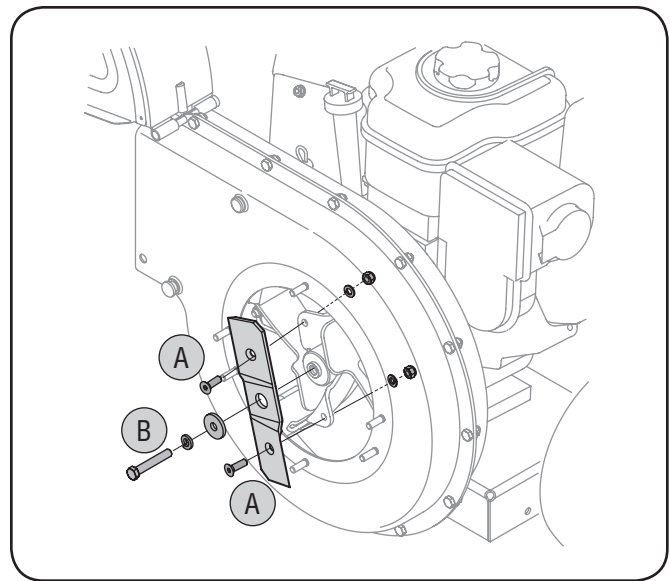


Figure 7-4

9. Saque el perno hexagonal, la arandela de seguridad y la arandela plana para liberar totalmente la cuchilla de la trituradora. Vea la Figure 7-4B.
IMPORTANTE: Cuando vuelva a montar la cuchilla de trituración ajuste el bulón central entre 550 y 700 pulgadas libras y los dos bulones exteriores entre 250 y 350 pulgadas libras.

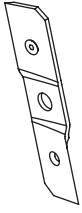
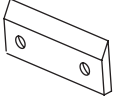
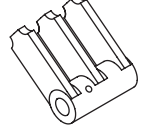
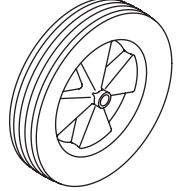
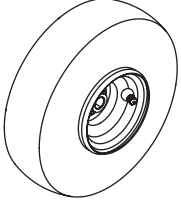
NOTA: Use una llave hexagonal de 3/16" (Allen) en el exterior de la cuchilla de la trituradora y una llave de tubo de 1/2" (o cubo) en el interior de la cuchilla de la trituradora. Sostenga la llave Allen firmemente y gire la llave de tubo (o cubo) para aflojar la tuerca. Tenga precaución cuando saque la cuchilla para evitar el contacto con los espárragos de la soldadura de la caja.

IMPORTANTE: Cuando afile la cuchilla, siga el ángulo original de afilado como guía. Es de suma importancia que cada extremo de corte sea desbastado de igual manera para evitar que la cuchilla quede desequilibrada. Si la cuchilla está desequilibrada producirá una vibración excesiva cuando gire a alta velocidad y puede dañar la unidad. Se puede probar la cuchilla balanceándola sobre un destornillador o clavo. Saque metal del lado pesado hasta que quede bien balanceada.

Almacenamiento Fuera de Temporada

- Almacenando la cortadora trituradora en un cobertizo de almacenaje no ventilado o metálico, el cuidado debería ser tomado a inoxidable las superficies no pintadas. Usando un petróleo ligero o silicona, cubra el equipo, sobre todo cualquier primavera, portes, y cables.
- Quite toda la suciedad del exterior de motor y equipo.
- Siga recomendaciones de lubricación.
- Consulte el manual del motor para conocer las instrucciones para el almacenamiento correcto del mismo.
- Equipo de tienda en un área limpia, seca. No almacene en un área donde el equipo está presente que puede usar un piloto o tiene un componente que puede cree una chispa.

Problema	Causa	Remedio
Demasiada vibración	<ol style="list-style-type: none"> Hay partes que están flojas o el motor está dañado. 	<ol style="list-style-type: none"> Detenga el motor de inmediato y desconecte el cable de la bujía. Consulte a un distribuidor autorizado.
La unidad no descarga	<ol style="list-style-type: none"> El área de descarga está tapada. Hay un objeto extraño en el motor. RPM del motor bajas. 	<ol style="list-style-type: none"> Detenga el motor de inmediato y desconecte el cable de la bujía. Limpie la pantalla de desgranado y el interior de la abertura de descarga. Detenga el motor y desconecte el cable de la bujía. Saque el objeto extraño del motor. Siempre accione el motor con el estrangulador al máximo.
La tasa de descarga se reduce de manera considerable o cambia la composición del material descargado	<ol style="list-style-type: none"> RPM del motor bajas. La hoja de la cortadora está desafilada 	<ol style="list-style-type: none"> Siempre accione el motor con el estrangulador al máximo. Reemplace la hoja de la cortadora o contacte a un distribuidor autorizado.

Componente	Número de pieza y Descripción
	942-0571 Trituradora Blade
	942-0544B Alegre Blade (2)
	719-04308 Mayal Blade (4 total)
	734-1600 Asamblea Ruedas completas 10 x 2.50
	934-04009 Montaje de la rueda nuematica completa 10 x 4

Teléfono (800) 800-7310 para solicitar piezas de reemplazo o un Manual de Repuestos completo (tenga el número de modelo y número de serie). Piezas descargas manuales también están disponibles de forma gratuita en www.mtdproducts.com.

GARANTÍA LIMITADA DEL FABRICANTE

La siguiente garantía limitada es otorgada por MTD LLC con respecto a nuevos productos adquiridos y utilizados en Estados Unidos y/o sus territorios y posesiones, y por MTD Products Limited con respecto a nuevos productos adquiridos y utilizados en Canadá y/o sus territorios y posesiones (cualquiera de las dos entidades, respectivamente, "MTD").

Esta garantía es adicional a la garantía de emisiones aplicables proporcionada con el producto.

"MTD" garantiza este producto (excluidas *las Piezas y Accesorios con Desgaste Normal según se describe más abajo*) contra defectos en los materiales y mano de obra por un período de dos (2) años a partir de la fecha de compra original y, a su opción, reparará o reemplazará, sin costo alguno, cualquier pieza que presente defectos en los materiales o de mano de obra. Esta garantía limitada sólo se aplicará si el producto ha sido operado y mantenido de acuerdo con las instrucciones del Manual del Operador que se proporciona con el producto y no ha sido objeto de uso inapropiado, abuso, uso comercial, abandono, accidente, mantenimiento incorrecto, alteración, vandalismo, robo, incendio, inundación o algún daño debido a otro peligro o desastre natural. El daño resultante por la instalación o el uso de piezas, accesorios o aditamentos no aprobados por MTD para su uso con el(los) producto(s) incluido(s) en este manual anulará la garantía en lo que respecta a esos daños.

Se garantiza que *las Piezas con Desgaste Normal* están libres de defectos en los materiales y mano de obra por un período de treinta (30) días a partir de la fecha de compra. Las piezas sujetas a desgaste normal incluyen pero no se limitan a: baterías, correas, cuchillas, adaptadores para cuchillas, dientes, bolsas para pasto, ruedas, ruedas para la plataforma de la podadora tractor, asientos, zapatas antideslizantes, ruedas de fricción, placas de raspado, gomas helicoidales y neumáticos.

Accesorios — MTD garantiza que los accesorios de este producto están libres de defectos de material y mano de obra durante un período de un (1) año a partir de la fecha de compra o arrendamiento original del accesorio. Los accesorios incluyen, pero no se limitan a: colectores de césped y kits para abono.

CÓMO SOLICITAR Y OBTENER SERVICIO TÉCNICO: El servicio de la garantía está disponible, CON COMPROBANTE DE COMPRA, a través de su distribuidor local de servicio autorizado. Para localizar el distribuidor en su área:

En Estados Unidos de América

Consulte las páginas amarillas, o póngase en contacto con MTD LLC en P.O. Box 361131, Cleveland, Ohio 44136-0019, llame al 1-800-800-7310, o visite nuestro sitio web en www.mtdproducts.com.

En Canadá

Contacte MTD Products Limited, Kitchener, ON N2G 4J1, llame al 1-800-668-1238 o visite nuestro sitio web en www.mtdcanada.com.

Esta garantía limitada **no** ofrece cobertura en los siguientes casos:

- El motor o las piezas que lo componen. Estos productos pueden tener garantía del fabricante por separado. Consulte los términos y condiciones de la garantía aplicable del fabricante.
- Las bombas rompetroncos, válvulas y cilindros tienen una garantía separada de un año.

- Los artículos necesarios para el mantenimiento de rutina como por ejemplo lubricantes, filtros, afiladores de cuchillas, sincronización del motor, los ajustes de los frenos, del embrague o de la plataforma y el deterioro normal del acabado exterior debido al uso o exposición.
- Mantenimiento no realizado por el distribuidor de servicio autorizado.
- MTD no extiende ninguna garantía para los productos vendidos o exportados fuera de los Estados Unidos de América y/o Canadá, y sus respectivas posesiones y territorios, excepto para aquellos vendidos a través de los canales autorizados de distribución de exportaciones de MTD.
- Piezas de reemplazo que no son piezas originales de MTD.
- Gastos de transporte y por visitas técnicas.
- MTD no garantiza este producto para uso comercial.

No se aplican garantías implícitas, incluidas las garantías implícitas de comerciabilidad o de adecuación para un propósito determinado, después del período de aplicación de la garantía escrita expresa extendida más arriba para las piezas de acuerdo con su identificación. Ninguna otra garantía expresa, ni oral ni escrita, excepto la mencionada anteriormente, extendida por personas reales o jurídicas, incluidos los distribuidores o los minoristas con respecto a cualquier producto, obligará a MTD. Durante el plazo de la garantía el único recurso es la reparación o reemplazo del producto como se indicó anteriormente.

Las disposiciones incluidas en esta garantía proveen el recurso único y exclusivo que surge de las ventas. MTD no se hará responsable de ninguna pérdida o daño incidental o resultante, incluyendo sin limitación, los gastos incurridos para los servicios de mantenimiento del pasto, o los gastos de arrendamiento para reemplazar de manera transitoria un producto bajo garantía.

Algunos estados no permiten la exclusión o limitación de los daños y perjuicios incidentales o directos, o las limitaciones sobre la duración de las garantías implícitas, por lo que las exclusiones o limitaciones mencionadas anteriormente pueden no serle de aplicación.

En ningún caso se obtendrá una compensación mayor al monto del precio de compra del producto vendido. **La alteración de las características de seguridad del producto anulará esta garantía.** Usted asume el riesgo y la responsabilidad de las pérdidas, daños o lesiones que sufran usted y sus bienes y / o otras personas y sus bienes como resultado del uso incorrecto o de la falta de capacidad para usar este producto.

Esta garantía limitada alcanza solamente al comprador original, o a la persona que recibió el producto de regalo.

CÓMO SE RELACIONA LA LEGISLACIÓN ESTATAL CON ESTA GARANTÍA: Esta garantía limitada le otorga derechos legales específicos y usted también puede tener otros derechos que varían de un estado a otro.

IMPORTANTE: El propietario debe presentar el Comprobante de compra original para obtener la cobertura de la garantía.

MTD LLC, P.O. BOX 361131 CLEVELAND, OHIO 44136-0019, Teléfono: 1-800-800-7310
MTD Canada Limited - KITCHENER, ON N2G 4J1; teléfono 1-800-668-1238