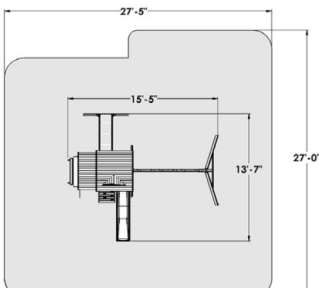


# MEADOWBROOK – F24920

## INSTALLATION AND OPERATING INSTRUCTIONS



### **! WARNING**

To reduce the risk of serious injury or death, you must read and follow these instructions. Keep and refer to these instructions often and give them to any future owner of this play system.

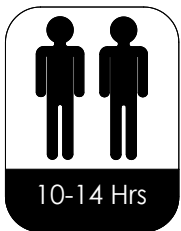
Manufacturer contact information provided below.

OBSTACLE FREE SAFETY ZONE - **27'5" x 27'** area requires Protective Surfacing. See page 3.

MAXIMUM VERTICAL FALL HEIGHT - **6'9"**

CAPACITY - **13 Users** Maximum, Ages **3 to 10**; Weight Limit **110 lbs. (49.9 kg)** per child.

RESIDENTIAL HOME USE ONLY. Not intended for public areas such as schools, churches, nurseries, day cares or parks.



Two person  
assembly



### Solowave Design

375 Sligo Rd. West, PO Box 10  
Mount Forest, ON Canada N0G 2L0

### General Inquiries:

8:00am - 4:30pm EST  
Toll Free: **1-877-966-3738**  
support@solowavedesign.com

### Table of Contents

Warnings and Safe Play Instructions.....	pg. 2
Protective Surfacing Guidelines.....	pg. 3
Instructions for Proper Maintenance.....	pg. 4
About Our Wood – Limited Warranty.....	pg. 5
Keys to Assembly Success .....	pg. 6
Metric Conversion Sheets .....	pg. 7,8
Part ID .....	pg. 9
Step by Step Instruction .....	pg. 17-77
Installation of I.D./Warning Plaque.....	Final Step

# Warnings and Safe Play Instructions



**CONTINUOUS ADULT SUPERVISION REQUIRED.** Most serious injuries and deaths on playground equipment have occurred while children were unsupervised! Our products are designed to meet mandatory and voluntary safety standards. Complying with all warnings and recommendations in these instructions will reduce the risk of serious or fatal injury to children using this play system. Go over the warnings and safe play instructions regularly with your children and make certain that they understand and follow them. Remember on-site adult supervision is required for children of all ages.



## WARNING

### SERIOUS HEAD INJURY HAZARD

Installation over concrete, asphalt, dirt, grass, carpet and other hard surface creates a risk of serious injury or death from falls to the ground. Install and maintain shock absorbing material under and around play-set as recommended on page 3 of these instructions.

### COLLISION HAZARD

Place play-set on level ground at least 6 feet from any obstruction such as a garage or house, fences, poles, trees, sidewalks, walls, landscape timbers, rocks, pavement, planters, garden borders, overhanging branches, laundry lines, and electrical wires. (See OBSTACLE FREE SAFETY ZONE on cover)

### CHOKING HAZARD/SHARP EDGES & POINTS

Adult assembly required. This product contains small parts and parts with sharp edges and points. Keep parts away from children until fully assembled.

### WARNING LABEL

Owners shall be responsible for maintaining the legibility of the warning labels.

### STRANGULATION HAZARD

- NEVER allow children to play with ropes, clotheslines, pet leashes, cables, chains or cord-like items when using this play-set or to attach these items to play-set.
- NEVER allow children to wear loose fitting clothing, ponchos, hoods, scarves, capes, necklaces, items with draw-strings, cords or ties when using this play-set.
- NEVER allow children to wear bike or sport helmets when using this play-set.

Failure to prohibit these items, even helmets with chin straps, increases the risk of serious injury and death to children from entanglement and strangulation.

### TIP OVER HAZARD

Choose a level location for the equipment. This can reduce the likelihood of the play set tipping over and loose-fill surfacing materials washing away during heavy rains.

DO NOT allow children to play on the play-set until the assembly is complete and the unit is properly anchored.



## WARNING – Safe Play Instructions

- ✓ Observe capacity limitations of your play-set. See front cover.
- ✓ Dress children with well fitting and full foot enclosing footwear.
- ✓ Teach children to sit with their full weight in the center of the swing seat to prevent erratic swing motion or falling off.
- ✓ Check for splintered, broken or cracked wood; missing, loose, or sharp edged hardware. Replace, tighten and or sand smooth as required prior to playing.
- ✓ Verify that suspended climbing ropes, rope ladders, chain or cable are secured at both ends and cannot be looped back on itself as to create an entanglement hazard.
- ✓ On sunny and or hot days, check the slide and other plastic rides to assure that they are not very hot as to cause burns. Cool hot slide and rides with water and wipe dry prior to using.
- ✗ Do not allow children to wear open toe or heel footwear like sandals, flip-flops or clogs.
- ✗ Do not allow children to walk, in front, between, behind or close to moving rides.
- ✗ Do not let children twist swing chains or ropes or loop them over the top support bar. This may reduce the strength of the chain or rope and cause premature failure.
- ✗ Do not let children get off rides while they are in motion.
- ✗ Do not permit climbing on equipment when it is wet.
- ✗ Do not permit rough play or use of equipment in a manner for which it was not intended. Standing on or jumping from the roof, elevated platforms, swings, climbers, ladders or slide can be dangerous.
- ✗ Do not allow children to swing empty rides or seats.
- ✗ Do not allow children to go down slide head first or run up slide.

# ⚠️ Protective Surfacing - Reducing Risk of Serious Head Injury From Falls

One of the most important things you can do to reduce the likelihood of serious head injuries is to install shock-absorbing protective surfacing under and around your play equipment. The protective surfacing should be applied to a depth that is suitable for the equipment height in accordance with ASTM F1292. There are different types of surfacing to choose from; whichever product you select, follow these guidelines:

## Loose-Fill Materials

- Maintain a minimum depth of 9 inches of loose-fill materials such as wood mulch/chips, engineered wood fiber (EWF), or shredded/recycled rubber mulch for equipment up to 8 feet high; and 9 inches of sand or pea gravel for equipment up to 5 feet high. NOTE: An initial fill level of 12 inches will compress to about a 9-inch depth of surfacing over time. The surfacing will also compact, displace, and settle, and should be periodically raked and refilled to maintain at least a 9-inch depth.
- Use a minimum of 6 inches of protective surfacing for play equipment less than 4 feet in height. If maintained properly, this should be adequate. (At depths less than 6 inches, the protective material is too easily displaced or compacted.)

NOTE: Do not install home playground equipment over concrete, asphalt, or any other hard surface. A fall onto a hard surface can result in serious injury to the equipment user. Grass and dirt are not considered protective surfacing because wear and environmental factors can reduce their shock absorbing effectiveness. Carpeting and thin mats are not adequate protective surfacing. Ground level equipment -- such as a sandbox, activity wall, playhouse or other equipment that has no elevated play surface -- does not need any protective surfacing.

- Use containment, such as digging out around the perimeter and/or lining the perimeter with landscape edging. Don't forget to account for water drainage.
- Periodically rake, check and maintain the depth of the loose-fill surfacing material. Marking the correct depth on the play equipment support posts will help you to see when the material has settled and needs to be raked and or replenished. Be sure to rake and evenly redistribute the surfacing in heavily used areas.
- Do not install loose fill surfacing over hard surfaces such as concrete or asphalt.

## Poured-In-Place Surfaces or Pre-Manufactured Rubber Tiles

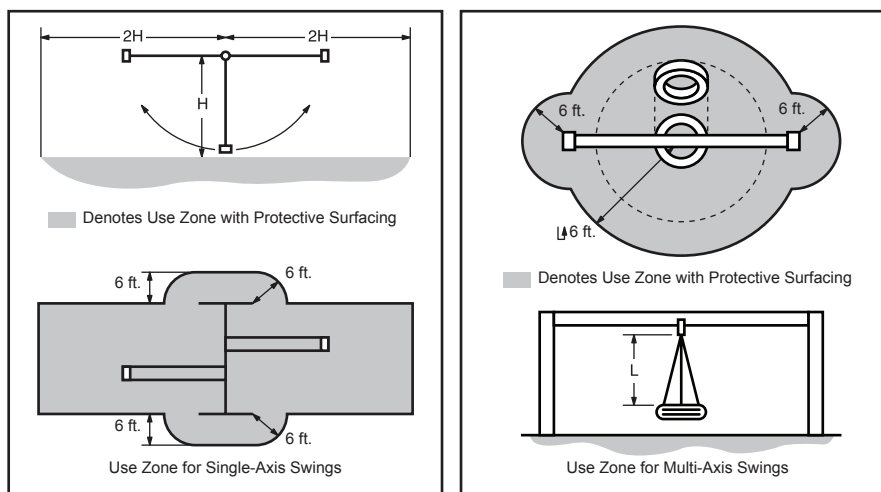
You may be interested in using surfacing other than loose-fill materials - like rubber tiles or poured-in-place surfaces.

- Installations of these surfaces generally require a professional and are not “do-it yourself” projects.
- Review surface specifications before purchasing this type of surfacing. Ask the installer/manufacturer for a report showing that the product has been tested to the following safety standard: ASTM F1292 *Standard Specification for Impact Attenuation of Surfacing Materials within the Use Zone of Playground Equipment*. This report should show the specific height for which the surface is intended to protect against serious head injury. This height should be equal to or greater than the fall height - vertical distance between a designated play surface (*elevated surface for standing, sitting, or climbing*) and the protective surfacing below - of your play equipment.
- Check the protective surfacing frequently for wear.

## Placement

Proper placement and maintenance of protective surfacing is essential. Refer to diagram on Fort Guides. Be sure to;

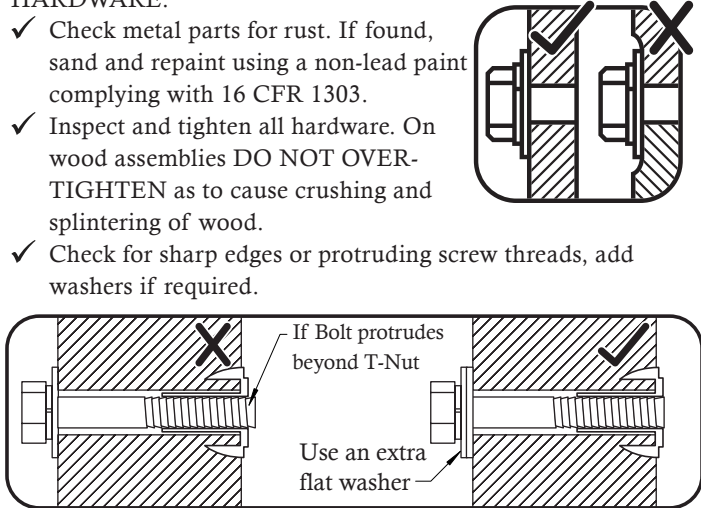
- Extend surfacing at least 6 feet from the equipment in all directions.
- For to-fro swings, extend protective surfacing in front of and behind the swing to a distance equal to twice the height of the top bar from which the swing is suspended.
- For tire swings, extend surfacing in a circle whose radius is equal to the height of the suspending chain or rope, plus 6 feet in all directions.



# Instructions for Proper Maintenance

Your Big Backyard Play System is designed and constructed of quality materials with your child's safety in mind. As with all outdoor products used by children, it will weather and wear. To maximize the enjoyment, safety and life of your Play Set, it is important that you, the owner, properly maintain it.

## Check the following at the beginning of the play season:

<p><b>HARDWARE:</b></p> <ul style="list-style-type: none"> <li>✓ Check metal parts for rust. If found, sand and repaint using a non-lead paint complying with 16 CFR 1303.</li> <li>✓ Inspect and tighten all hardware. On wood assemblies <b>DO NOT OVER-TIGHTEN</b> as to cause crushing and splintering of wood.</li> <li>✓ Check for sharp edges or protruding screw threads, add washers if required.</li> </ul>  <p>If Bolt protrudes beyond T-Nut</p> <p>Use an extra flat washer</p> <p><b>SHOCK ABSORBING SURFACING:</b></p> <ul style="list-style-type: none"> <li>✓ Check for foreign objects. Rake and check depth of loose fill protective surfacing materials to prevent compaction and maintain appropriate depth. Replace as necessary. (See Protective Surfacing, page 3)</li> </ul>	<p><b>GROUND STAKES (ANCHORS):</b></p> <ul style="list-style-type: none"> <li>✓ Check for looseness, damage or deterioration. Should firmly anchor unit to ground during use. Re-secure and or replace, if necessary.</li> </ul> <p><b>SWING HANGERS:</b></p> <ul style="list-style-type: none"> <li>✓ Check that bolts are secure and tight. Quick clips should be completely closed and threaded clips screwed tight.</li> <li>✓ If squeaking occurs lubricate bushings with oil or WD-40®.</li> </ul> <p><b>SWINGS, ROPES AND RIDES:</b></p> <ul style="list-style-type: none"> <li>✓ Reinstall if removed during cold season. Check all moving parts including swing seats, ropes, chains and attachments for wear, rust and other deterioration. Replace as needed.</li> <li>✓ Check that ropes are tight, secure at both ends and cannot loop back as to create an entrapment.</li> </ul> <p><b>WOOD PARTS:</b></p> <ul style="list-style-type: none"> <li>✓ Check all wood members for deterioration, structural damage and splintering. Sand down splinters and replace deteriorated wood members. As with all wood, some checking and small cracks in grain is normal.</li> <li>✓ Applying a water repellent or stain (water-based) on a yearly basis is important maintenance to maintain maximum life and performance of the product.</li> </ul>
--	---

## Check twice a month during play season:

<p><b>HARDWARE:</b></p> <ul style="list-style-type: none"> <li>✓ Inspect for tightness. Must be firmly against, but not crushing the wood. <b>DO NOT OVER-TIGHTEN.</b> This will cause splintering of wood.</li> <li>✓ Check for sharp edges or protruding screw threads. Add washers if required.</li> </ul>	<p><b>SHOCK ABSORBING SURFACING:</b></p> <ul style="list-style-type: none"> <li>✓ Rake and check depth of loose fill protective surfacing materials to prevent compaction and maintain appropriate depth. Replace as necessary. (See Protective Surfacing, page 3)</li> </ul>
---	---

## Check once a month during play season:

<p><b>SWING HANGERS:</b></p> <ul style="list-style-type: none"> <li>✓ Check that they are secure and orientated correctly. Hook should rotate freely and perpendicular to support beam.</li> <li>✓ If squeaking occurs lubricate bushings with oil or WD-40®.</li> </ul>	<p><b>SWINGS AND RIDES:</b></p> <ul style="list-style-type: none"> <li>✓ Check swing seats, all ropes, chains and attachments for fraying, wear, excessive corrosion or damage. Replace if structurally damaged or deteriorated.</li> </ul>
--	---

## Check at the end of the play season:

<p><b>SWINGS AND RIDES:</b></p> <ul style="list-style-type: none"> <li>✓ To prolong their life, remove swings and store inside when outside temperature is below 32°F/0°C. Below freezing, plastic parts may become more brittle.</li> </ul>	<p><b>SHOCK ABSORBING SURFACING:</b></p> <ul style="list-style-type: none"> <li>✓ Rake and check depth of loose fill protective surfacing materials to prevent compaction and maintain appropriate depth. Replace as necessary. (See Protective Surfacing, page 3)</li> </ul>
--	---

**If you dispose of your play set:** Please disassemble and dispose of your unit so that it does not create any unreasonable hazards at the time it is discarded. Be sure to follow your local waste ordinances.



# About Our Wood

Solowave Design™ uses only premium playset lumber, ensuring the safest product for your children's use. Although great care has been taken in selecting the best quality lumber available, wood is a product of nature and susceptible to weathering (changes in the aesthetics of the wood). A light sanding may be required to remove minor splinters. For your information, we have described some changes that may occur as a result of weathering:

1. **Checking** Checks are surface cracks in the wood along the grain. 4" x 4" material will experience more checking than 2", 1-1/4" or 1" material because the surface and interior moisture content will vary more widely than in thinner wood.
2. **Warping** Warping refers to any distortion (twisting, cupping) from the true plane that may take place during weathering.
3. **Fading** Wood exposed to sunlight, will over time, turn a grey color.

Note: The above changes will not affect the strength of the product.

## What causes weathering?

One of the main reasons for weathering is the effects of water (moisture); the moisture content of the wood at the surface is different than the interior of the wood. As the moisture moves in or out of the wood (result of climate changes), the different moisture content causes tension in the wood, which can result in checking and or warping.

## How can I reduce the amount of weathering to my Play System?

At the factory we have added water repellent to the stain. This water repellent decreases the amount of water absorption during rain or snow thus decreasing the tension in the wood. Sunlight will break down the water repellent, applying a water repellent or stain on a yearly basis is important maintenance. (see your local stain and paint supplier for a recommended product) Also if storing the product before installation, make sure you store out of direct sunlight in a cool dry place.

## Will weathering affect the strength of my Play System?

Most weathering is just the normal result of nature and will not affect safe play and enjoyment for your child. However if you are concerned that a part has experienced a severe weathering problem please call our consumer relations department for further assistance.

## Complete and mail registration card to receive important product notifications and assure prompt warranty service.

### 5 Year Limited Warranty

Solowave Design warrants that this product is free from defect in materials and workmanship for a period of one year from the original date of purchase. In addition, lumber is warranted for 5 years against structural failure due to rot and insect damage. All other parts, such as hardware, swings, rides, accessories, and slides carry a one-year warranty only.

This warranty applies to the original owner and registrant and is non-transferable.

Regular maintenance is required to assure the integrity of your Play System. Failure by the owner to maintain the product according to the maintenance requirements may void this warranty. This warranty does not cover any inspection cost.

This Limited Warranty does not cover:

- Labor for replacement of any defective item(s);
- Incidental or consequential damages;
- Cosmetic defects which do not affect performance or integrity;
- Vandalism; improper use or installation; acts of nature;
- Minor twisting, warping, checking, or any other natural occurring properties of wood that do not affect performance or integrity.

Solowave Design products have been designed for safety and quality. Any modifications made to the original product could damage the structural integrity of the unit leading to failure and possible injury. Solowave Design Inc. cannot assume any responsibility for modified products. Furthermore, modification voids any and all warranties.

This product is warranted for **RESIDENTIAL USE ONLY**. Under no circumstance should a Solowave Design Play System be used in public settings such as schools, churches, playgrounds, parks, day cares and the like. Such use may lead to product failure and potential injury. Any and all public use will void this warranty. Solowave Design disclaims all other representations and warranties of any kind, express or implied.

This Warranty gives you specific legal rights. You may have other rights as well which vary from state to state or province to province. This warranty excludes all consequential damages, however, some states do not allow the limitation or exclusion of consequential damages, and therefore this limitation may not apply to you.

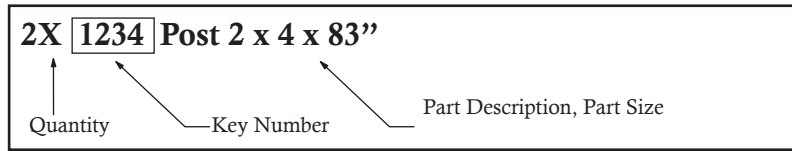
# Keys to Assembly Success

## Tools Required

<ul style="list-style-type: none"> <li>• Tape Measure</li> <li>• Carpenters Level</li> <li>• Carpenters Square</li> <li>• Claw Hammer</li> <li>• Standard or Cordless Drill</li> </ul>	<ul style="list-style-type: none"> <li>• #1, #3 Phillips or Robertson bit or Screwdriver</li> <li>• Ratchet(1/2" &amp; 7/16" sockets)</li> </ul>	<ul style="list-style-type: none"> <li>• Open End Wrench (1/2" &amp; 7/16")</li> <li>• Adjustable Wrench</li> <li>• 1/8" &amp; 3/16" Drill Bits</li> </ul>	<ul style="list-style-type: none"> <li>• 3/16" Hex Key</li> <li>• 8' Step Ladder</li> <li>• Safety Glasses</li> <li>• Adult Helpers</li> <li>• Pencil</li> </ul>
--	--	--	--

## Part Identification Key

On each page, you will find the parts and quantities required to complete the assembly step illustrated on that page. Here is a sample.



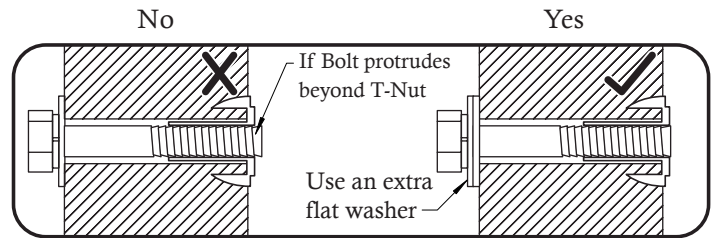
## Symbols

Throughout these instructions symbols are provided as important reminders for proper and safe assembly.

<p>This identifies information that requires special attention. Improper assembly could lead to an unsafe or dangerous condition.</p>	<p>Check that set or assembly is properly level before proceeding.</p> <p>Use Level</p>
<p>Use Help</p> <p>Where this is shown, 2 or 3 people are required to safely complete the step. To avoid injury or damage to the assembly make sure to get help!</p>	<p>Pre-drill 1/8" &amp; 3/16" Bit</p> <p>Pre-drill a pilot hole before fastening screw or lag to prevent splitting of wood.</p>
<p>Measure Distance</p> <p>Use a measuring tape to assure proper location.</p>	<p>Tighten Bolts</p> <p>This indicates time to tighten bolts, but not too tight! Do not crush the wood. This may create splinters and cause structural damage.</p>
<p>Square Assembly</p> <p>Check that assembly is square before tightening bolts.</p>	

## CAUTION – Protrusion Hazard

Once the assembly is tightened, watch for exposed threads. If a thread protrudes from the T-Nut, remove the bolt and add washers to eliminate this condition. Extra washers have been provided for this purpose.

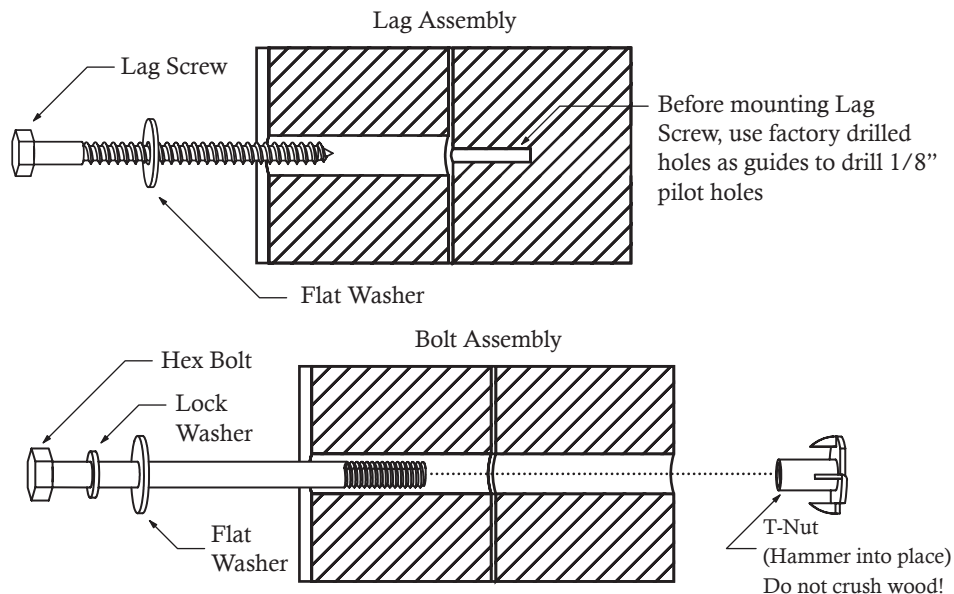


## Proper Hardware Assembly

Lag screws require drilling pilot holes to avoid splitting wood. Only a flat washer is required. For ease of installation liquid soap can be used on all lag-type screws.

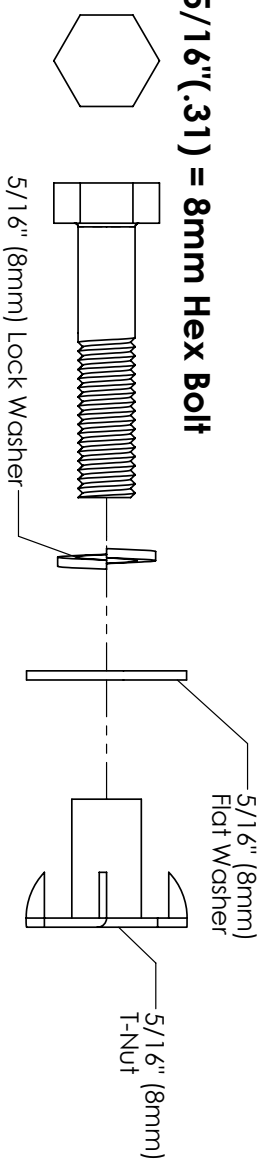
For bolts, tap T-Nut into hole with hammer. Insert the hex bolt through lock washer first then flat washer then hole. Because the assemblies need to be squared do not completely tighten until instructed. Pay close attention to diameter of the bolts. 5/16" is slightly larger than 1/4".

**Note:** Wafer head bolts with blue lock tight or a bolt with a Ny-Lok nut do NOT require a lock washer.

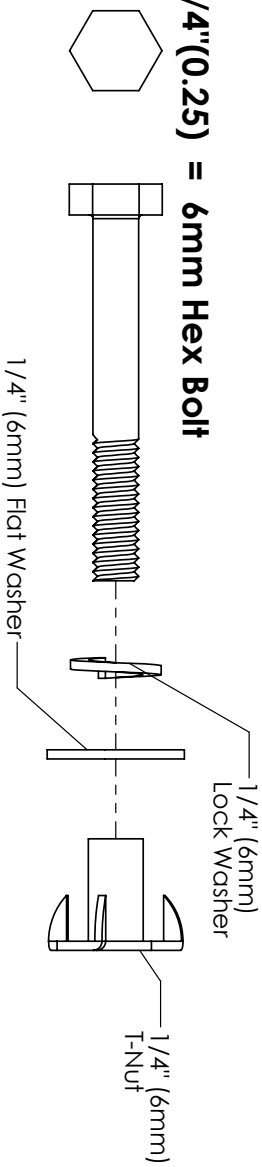


# SOLOWAVE DESIGN HARDWARE

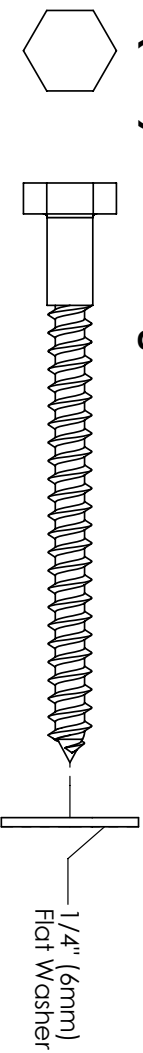
**5/16"(.31) = 8mm Hex Bolt**



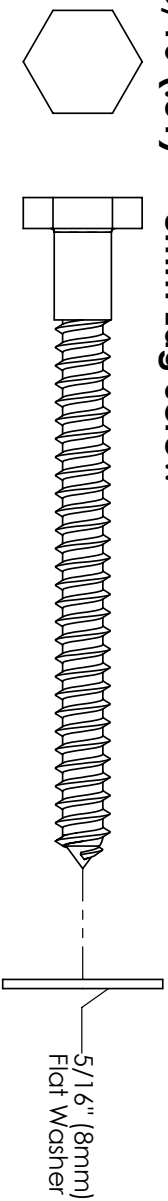
**1/4"(0.25) = 6mm Hex Bolt**



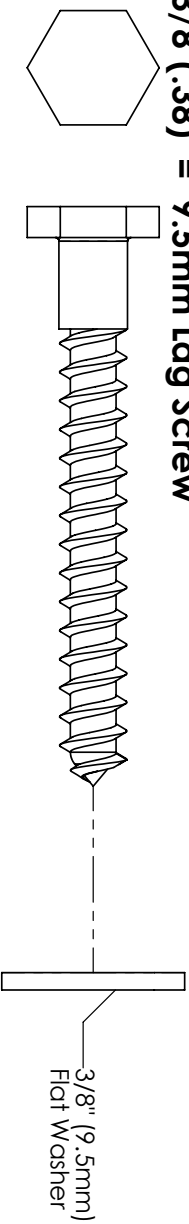
**1/4"(0.25) = 6mm Lag Screw**



**5/16"(.31) = 8mm Lag Screw**



**3/8"(.38) = 9.5mm Lag Screw**



## HARDWARE LENGTH CHART inches vs millimetres

6	152
5½	140
5	127
4½	114
4	102
3½	89
3	76
2½	64
2	51
1½	38
1¼	32
1-1/8	29
1	25.4
7/8	22
3/4	19
1/2	12.7

### DIAMETER CONVERSION

1 inch = 25.4mm

**For example:**

BOLT DIAMETER 5/16 (0.31) inches

0.31 inches x 25.4mm = 8mm

### LENGTH CONVERSION

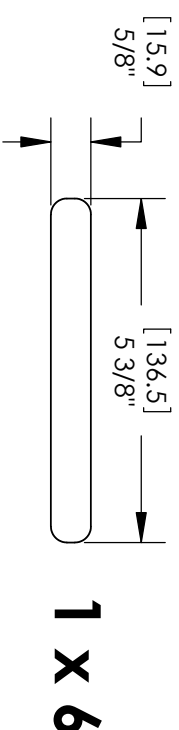
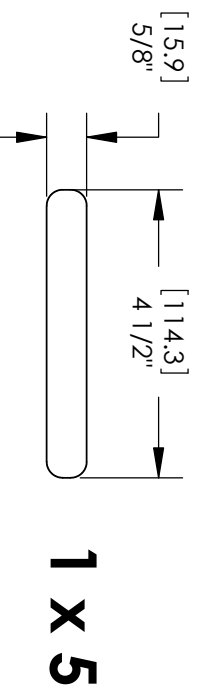
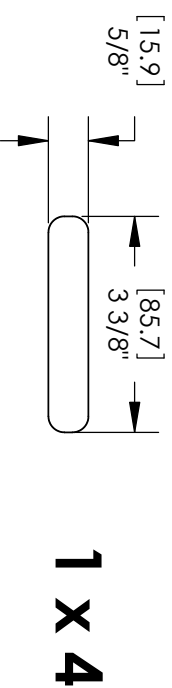
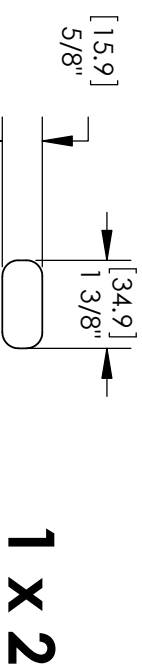
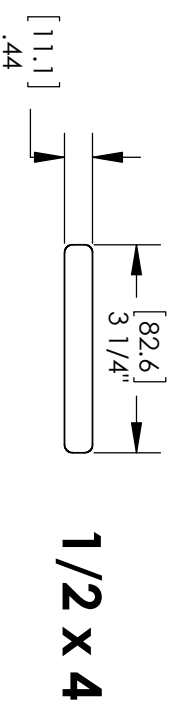
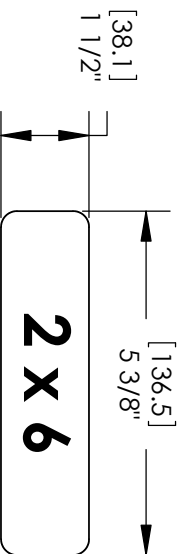
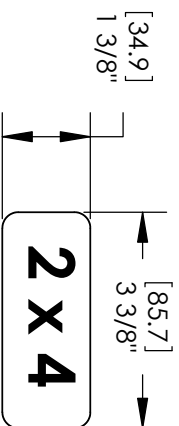
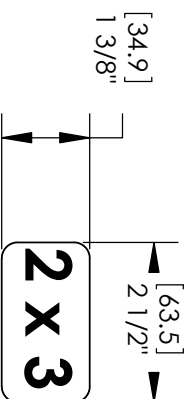
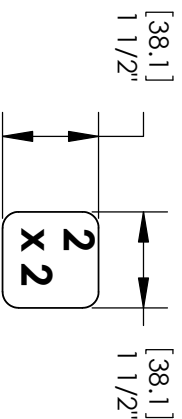
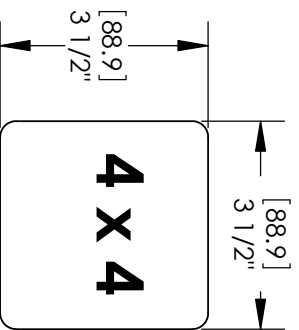
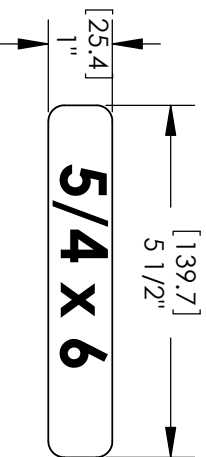
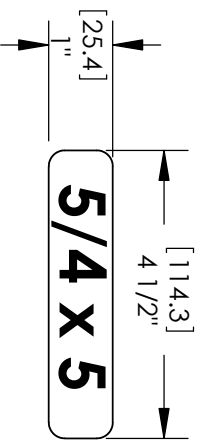
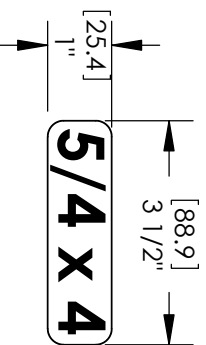
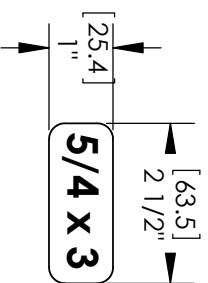
1 inch = 25.4mm

**For example:**

BOLT LENGTH 4½ (4.5) inches long

4.5 inches x 25.4mm = 114mm long

# SOLOWAVE DESIGN WOOD PROFILES



## LENGTH CONVERSION

1 inch = 25.4mm

**For example:**

BOARD LENGTH 59 1/4 (59.25) inches

59.25 inches x 25.4mm = 1505mm

Dimensions in brackets [mm] represent millimetres.



# Part Identification (Reduced Part Size) Box 1,2 of 6

Nominal Size	Actual Size
5/4 x 5	15/16 x 4-1/4
5/4 x 6	15/16 x 5-1/4
2 x 2	1-1/2 x 1-1/2
1 x 4	5/8 x 3-3/8
1 x 6	5/8 x 5-3/8
1-1/4 x 2-1/4	1-1/4 x 2-1/4
1-1/4 x 3	1-1/4 x 3
4 x 4	3 x 3
4 x 6	3 x 5-1/4

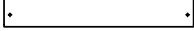
1pc. - **[2648]** - 1 x 4 x 40-5/8" - Floor Board - **Box 2 - 3632648**



8pc. - **[2609]** - 1 x 5 x 40-5/8" - Floor Board - **Box 2 - 3632609**



2pc. - **[2605]** - 1 x 6 x 19-3/4" - Access Board - **Box 2 - 3632605**



2pc. - **[2717]** - Clock Block 3/4 x 1-3/4 x 9-3/4" - **Box 2 - 3632717**



2pc. - **[2603]** - 1 x 6 x 19-3/4" - Rock Board A - **Box 2 - 3632603**



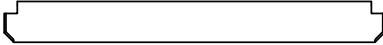
3pc. - **[2604]** - 1 x 6 x 19-3/4" - Rock Board B - **Box 2 - 3632604**



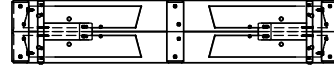
2pc. - **[2606]** - 5/4 x 4 x 14 1/4" - SW Ground - **Box 2 - 3632606**



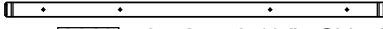
1pc. - **[2611]** - 5/4 x 5 x 39-5/8" - Table Top - **Box 2 - 3632611**



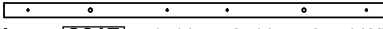
1pc. - **[2658]** - 2-13/32 x 6-3/4 x 34" - Folding Bench - **Box 2 - 37632658**



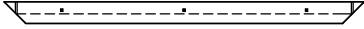
1pc. - **[2612]** - 2 x 2 x 39-5/8" - Table Support - **Box 2 - 3632612**



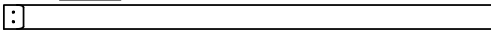
2pc. - **[2610]** - 2 x 2 x 40-1/4" - Side Joist - **Box 2 - 3632610**



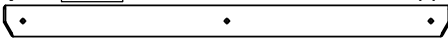
4pc. - **[2617]** - 1-1/4 x 2-1/4 x 37-1/2" - Roof Support - **Box 2 - 3632617**



2pc. - **[0349]** - Rock Rail 2 x 3 x 51" - **Box 1 - 3640349**



1pc. - **[2616]** - 5/4 x 4 x 46-1/2" - SW Support - **Box 1 - 3632616**



2pc. - **[2646]** - 1-1/4 x 3 x 10" - Roof End - **Box 2 - 3632646**



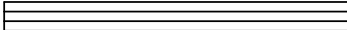
2pc. - **[2647]** - 1-1/4 x 3 x 10" - Roof End Left - **Box 2 - 3632647**



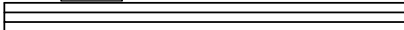
2pc. - **[2607]** - 1-1/4 x 3 x 22" - Diagonal - **Box 2 - 3632607**



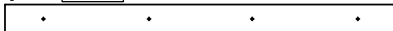
1pc. - **[2602]** - Upper Jamb 1 1/4 x 3 x 35-15/16" - **Box 2 - 3632602**



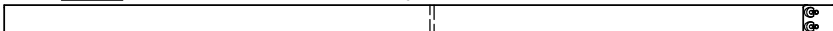
1pc. - **[2601]** - Lower Jamb 1 1/4 x 3 x 41-15/16" - **Box 2 - 3632601**



1pc. - **[2608]** - 1-1/4 x 3 x 40-3/4" - Floor Joist - **Box 2 - 3632608**



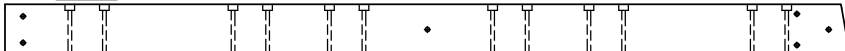
2pc. - **[2613]** - 2 x 3 x 86-11/16" - Heavy SW Post - **Box 1 - 3632613**



1pc. - **[2615]** - 4 x 4 x 50-15/16" - SW Upright - **Box 1 - 3632615**



1pc. - **[2614]** - 4 x 6 x 88" - Engineered Beam - **Box 1 - 3632614**



2x - Sky Gable (3320212)

1x - Bracket Set (3206303)



1x - Narrow Angle Bracket (3 Pk) (3200640)

1x - Jamb Mount (4 Pk) (3206302)

1x - Base Clock (9320124)

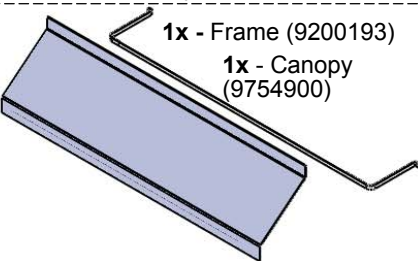


1x - Rocks (5pk) (3320386)



1x - Clock Subset (3320329)

1x - Cafe Canopy Set (3754900)



1x - Frame (9200193)

1x - Canopy (9754900)

2x - Long Belt Swing (3724939) Yellow

1x - Big Backyard ID Plaque (3320356)



1x - Big Backyard Plaque (3320351)

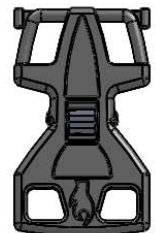
1x - L Beam Brkt. (3200145) (2pk)



1x - Rebar Ground Stake (6 Pk) (3200318)



1x - Space Glider Body (3320268) Yellow



2x - Space Glider Handle (3320177) Green

1x - Glider Hanger (2pk) (3200105)



1x - Beam Brkt. Left/Right (3200143) (2pk)



1x - Swing Hanger (4 Pk) (3200106)

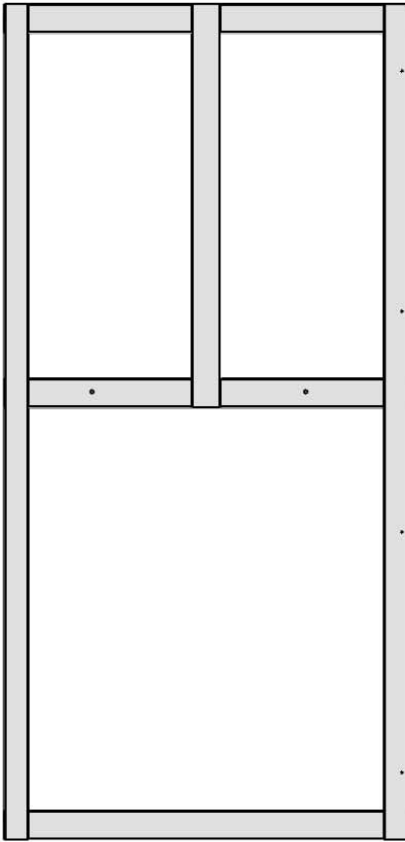


1x - Glider Rope & Chain (4Pk) (3533862)

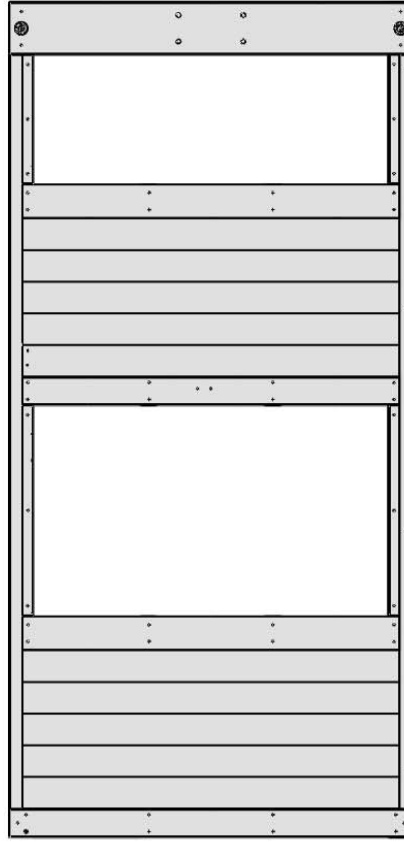


# Part Identification (Reduced Part Size)

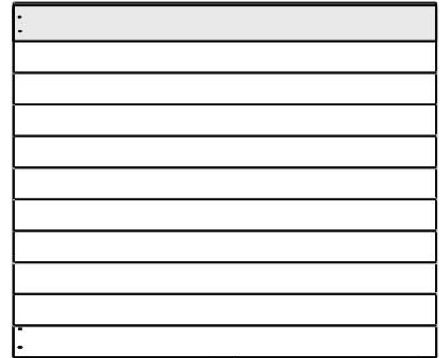
2pc. - **2618** Front Back  
Panel 1¼ x 42 x 87"  
Box 2 - 37632618



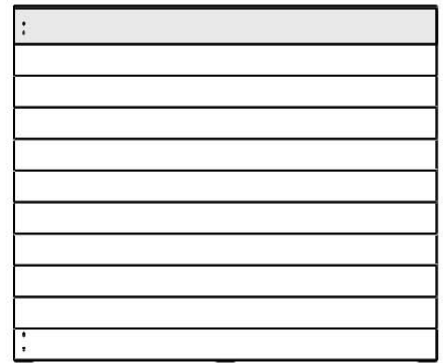
1pc. - **2627**  
SW Wall Panel 1¼ x 42 x 87"  
Box 2 - 37632627



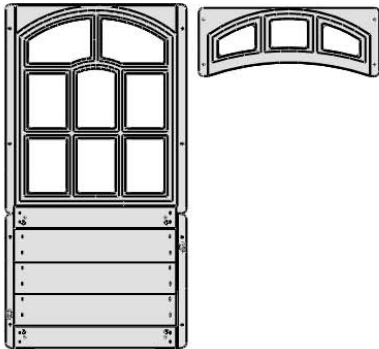
1pc. - **2639**  
Back Roof Panel 1¼ x 36¾ x 44"  
Box 2 - 37632639



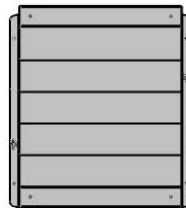
1pc. - **2644**  
Front Roof Panel 1¼ x 37 x 44"  
Box 2 - 37632644



2pc. - **2655**  
Upper Window Insert  
1.27 x 18.8 x 35.86"  
Box 2 - 37632655

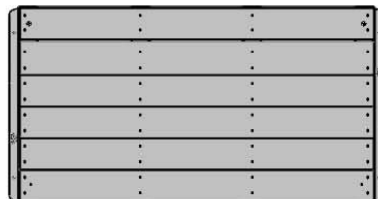


1pc.  
MOD 3 Pane Transom (2Pk)  
Box 1 - 3320138

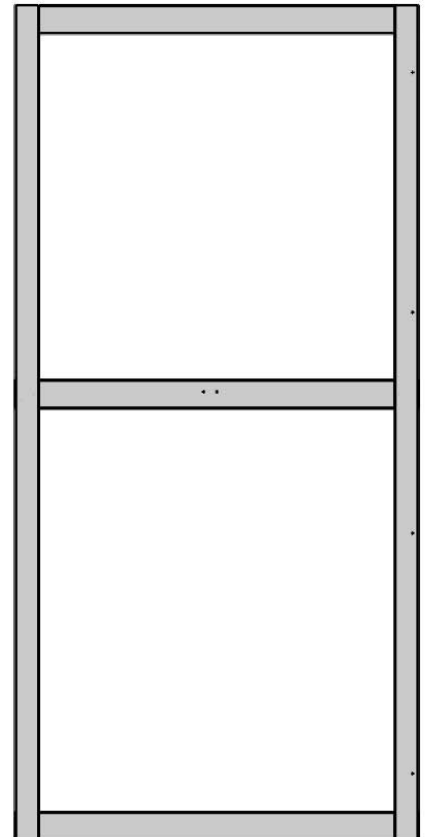


2pc. - **649A**  
Short Half Wall - 1.27 x 18.8 x 20-15/16"  
Box 2 - 37632649A

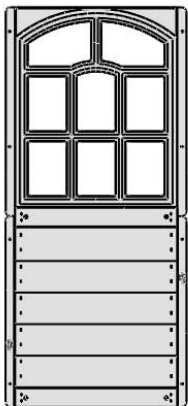
1pc. - **2665**  
Half Wall Insert - 1.4 x 20¼ x 38.8"  
Box 2 - 37632665



1pc. - **2622**  
End Panel Assembly 1¼ x 42 x 87"  
Box 2 - 37632622

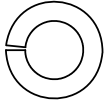


1pc. - **2649**  
Lower Window Insert  
1.27 x 18.8 x 41.91"  
Box 2 - 37632649

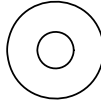


# Hardware Identification (Actual Size)

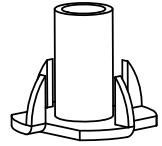
5pc. **LW2** - 5/16" Lock Washer - (51303300)



5pc. **FW0** - 3/16" Flat Washer - (51103100)



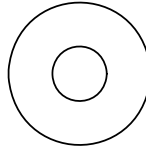
10pc. **TN1** - 1/4" T - Nut  
(54503200)



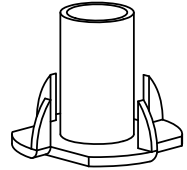
15pc. **LW1** - 1/4" Lock Washer - (51303200)



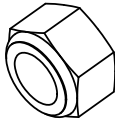
12pc. **FW1** - 1/4" Flat Washer - (51103200)



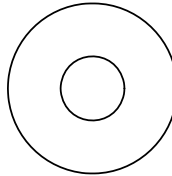
8pc. **TN2** - 5/16" T - Nut - (54503300)



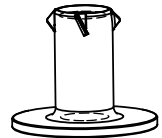
29pc. **LN2** - 5/16" Lock Nut - (54303300)



66pc. **FW2** - 5/16" Flat Washer - (51103300)



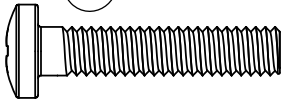
5pc. **BN1** - 1/4" Barrel Nut - (54803200)



8pc. **FW3** - #8 Flat Washer - (51003500)

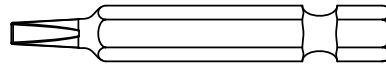


5pc. **PB2** - Pan Bolt 1/4 x 1-1/4"

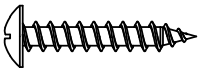


- (53433212)

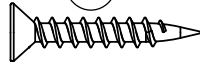
1pc. **D4** - 2 x 2 Robertson Driver Bit - (9200014)



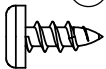
69pc. **S0** - Truss Screw #8 x 7/8" - (52933505)



4pc. **S18** - Wood Screw #6 x 1" - (52013910)



20pc. **S5** - Pan Screw #8 x 1/2" - (52433502)



77pc. **S2** - Wood Screw #8 x 1-1/2" - (52043512)



5pc. **S10** - Pan Screw #8 x 1"

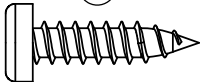


- (52433510)

28pc. **S11** - Wood Screw #8 x 2" - (52043520)



2pc. **S6** - Pan Screw #12 x 1"

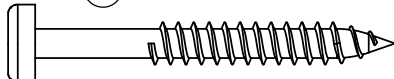


- (52433610)

14pc. **S3** - Wood Screw #8 x 2-1/2" - (52043522)



13pc. **S7** - Pan Screw #12 x 2" - (52433620)

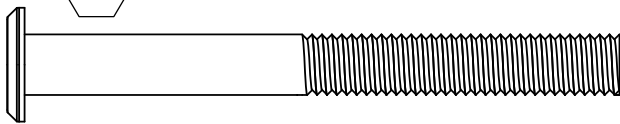


12pc. **S4** - Wood Screw #8 x 3" - (52043530)

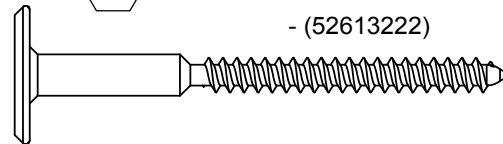


# Hardware Identification (Actual Size) Box 1,2 of 6

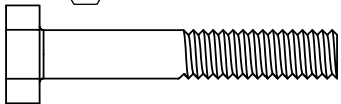
3pc. **WB7** - Wafer Bolt 5/16 x 3" - (53613330)



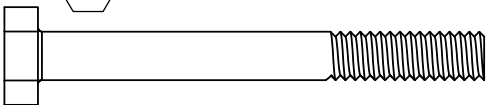
16pc. **WL5** - Wafer Lag 1/4 x 2-1/2" - (52613222)



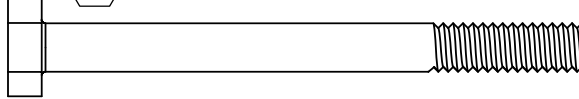
4pc. **H1** - Hex Bolt 1/4 x 1-1/2" - (53703212)



2pc. **H10** - Hex Bolt 1/4 x 2-1/4" - (53703221)

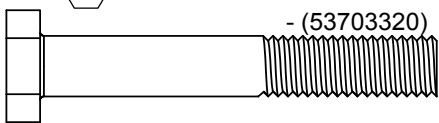


4pc. **H11** - Hex Bolt 1/4 x 2-3/4" - (53703223)

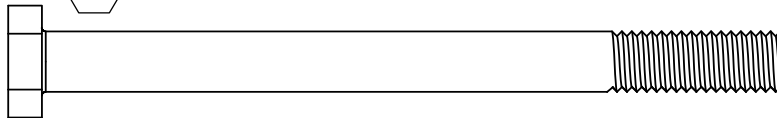


4pc. **G8** - Hex Bolt 5/16 x 2"

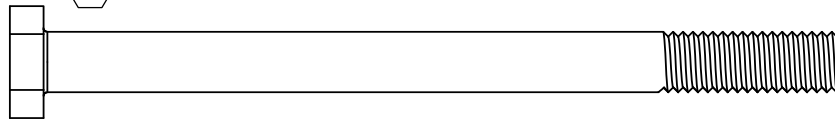
- (53703320)



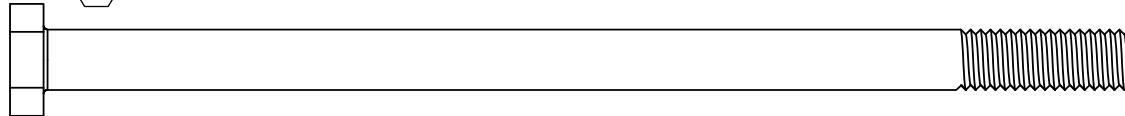
7pc. **G21** - Hex Bolt 5/16 x 3-3/4" - (53703333)



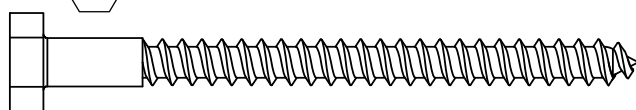
3pc. **G4** - Hex Bolt 5/16 x 4" - (53703340)



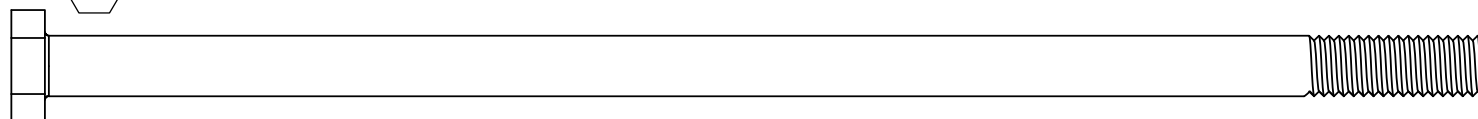
14pc. **G7** - Hex Bolt 5/16 x 5-1/2" - (53703352)



2pc. **LS3** - Lag Screw 1/4 x 3" - (52213230)

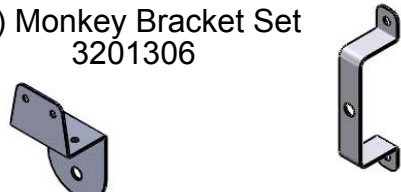
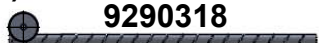


2pc. **G25** - Hex Bolt 5/16 x 7-1/4" - (53703371)





# Part Identification (Reduced Part Size) Box 3 of 6

		Nominal Size	Actual Size
<b>0353</b>	(1) MK Ground 1 x 4 x 55-1/4" 3640353 Box 1	2" x 6"	1 1/2" x 5 3/8"
		2" x 4"	1 3/8" x 3 3/8"
		2" x 3"	1 3/8" x 2 1/2"
		2" x 2"	1 1/2" x 1 1/2"
<b>578</b>	(3) Tennon Dowel 1 1/8" x 15 7/8" 3681578 Box 1	5/4" x 4"	1" x 3 1/2"
		5/4" x 5"	1" x 4 1/2"
		5/4" x 6"	1" x 5 1/2"
		1" x 6"	5/8" x 5 3/8"
<b>858</b>	(1) Tennon Dowel 1 1/8" x 18 5/8" 3681858 Box 1	1" x 5"	5/8" x 4 1/2"
		1" x 4"	5/8" x 3 3/8"
<b>0369</b>	(2) Lower Diagonal 2 x 3 x 37" 3640369 Box 1	(1) Monkey Bracket Set 3201306 	
<b>1367</b>	(2) Post MK 2 x 3 x 70" 3641367 Box 1		
<b>1564</b>	(2) MK Rail Long 2 x 4 x 52" 3641564 Box 1	(1) Rebar Ground Stake 9290318 	

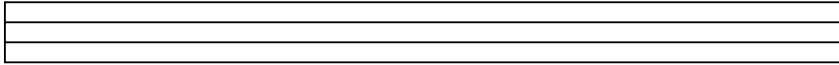
# Hardware Identification (Actual Part Size) Box 3 of 6

<b>H2</b>	(2) Hex Bolt 1/4 x 2" (53703220) 1/4" Lock Washer - 1/4" Flat Washer - 1/4" T-Nut	<b>LW2</b>	(2) 5/16" Lock Washer (51303300)	<b>TN1</b>	(4) 1/4" T-Nut (54503200)
<b>H12</b>	(2) Hex Bolt 1/4 x 3" 1/4" Flat Washer, 1/4" Lock Washer, 1/4" T- Nut (53703230)			<b>TN2</b>	(2) 5/16" T-Nut (54503300)
<b>G10</b>	(2) Hex Bolt 5/16 x 3" (53703330) 5/16" Lock Washer - 5/16" Flat Washer - 5/16" T-Nut	<b>LW1</b>	(4) 1/4" Lock Washer (51303200)		
<b>LS3</b>	(2) Lag Screw 1/4 x 3" -1/4" Flat Washer (52213230)	<b>LS2</b>	(2) Lag Screw 1/4 x 2-1/2" -1/4" Flat Washer (52213222)		
<b>S2</b>	(2) Flat Head Screw #8 x 1 1/2" (52043512)	<b>FW2</b>	(2) 5/16" Flat Washer (51103300)	<b>FW1</b>	(8) 1/4" Flat Washer (51103200)
<b>S3</b>	(6) Flat Head Screw #8 x 2 1/2" (52043522)	<b>S7</b>	(1) Pan Screw #12 x 2" (52433620)		
<b>S6</b>	(12) Pan Screw #12 x 1" (52433610)				

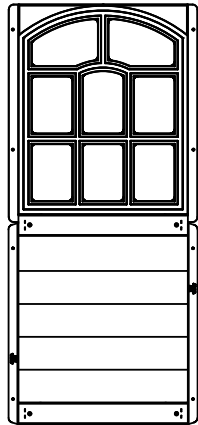
# Part Identification (Reduced Part Size) Box 4 of 6

(1) Lower Jamb 1¼ x 3 x 41-15/16" 3632601

**2601**

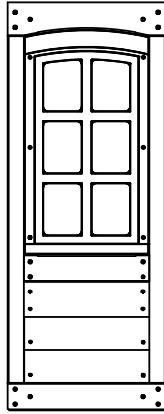


**2649**



(1) Lower Window Insert  
1.27 x 18.8 x 41.9" 37632649

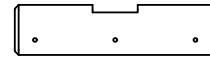
**2709**



(1) Door Window Panel  
1¼ x 15¾ x 40¾" 37602709B

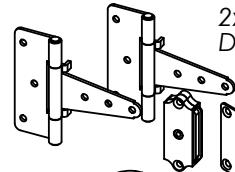
(1) Door Stop 5/4 x 3 x 10"

**2715**



3632715

## 1x - Door Hardware (3201710)



2x 9201713  
Door Hinge

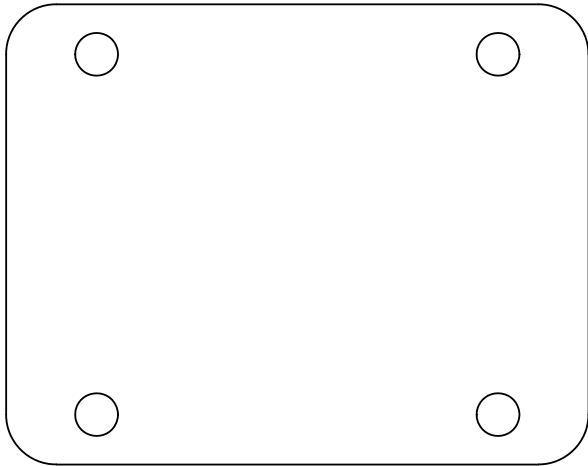
9207713  
Door Catch

1x Magnetic Catch  
1x Catch Plate



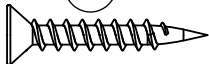
2x 9207711  
Door Handle

# Hardware Identification (Actual Part Size) Box 4 of 6



(1) Jamb Mount -2 PK (3206301)

4pc. **S18** - Wood Screw #6 x 1" - (52013910)



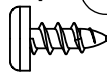
17pc. **S0** - Truss Screw #8 x 7/8" - (52933505)



3pc. **S11** - Wood Screw #8 x 2" - (52043520)



16pc. **S13** - Pan Screw #6 x 5/8" - (52413908)



# Part Identification (Reduced Size) Box 5 of 6

Nominal Size	Actual Size
2 x 2	1-1/2 x 1-1/2
1 x 2	1 x 2
1 x 5	5/8 x 4-1/2
1 x 6	5/8 x 5-3/8
1-1/4 x 3	1-1/4 x 3
1-1/4 x 2-1/4	1-1/4 x 2-1/4
1-1/4 x 4-7/8	1-1/4 x 4-7/8

2pc. - **5536** - 5/8 x 2 x 6-3/4" - Counter Side - **38045536**

1pc. - **2686** - 5/8 x 2-3/4 x 40-5/8" - Counter Front - **3632686**

2pc. - **2716** - 1 x 4 x 17-5/8" - Counter Mid Top - **3632716**

1pc. - **2687** - 1 x 4 x 40-5/8" - Counter Back - **3632687**

1pc. - **2685** - 1 x 4 x 40-5/8" - Counter Top - **3632685**

5pc. - **2609** - 1 x 5 x 40-5/8" - Floor Board - **3632609**

2pc. - **6136** - 1 x 2 x 12-9/16" - Counter Brace  
**38046136**

4pc. - **5736** - 1 x 2 x 8 1/4" - Counter Joist  
**38045736**

2pc. - **2683** - 5/4 x 3 x 62-5/8" - Wall Tie **3632683**

2pc. - **2682** - 2 x 2 x 22-1/8" - Short Side Joist - **3632682**

2pc. - **2680** - 1-1/4 x 2-1/4 x 34.10" - Roof Support - **3632680**

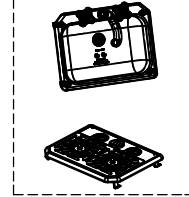
1pc. - **2688** - Dormer Cleat 1 1/4 x 3 x 12 3/4" - **3632688**

1pc. - **2608** - 1-1/4 x 3 x 40-3/4" - Floor Joist - **3632608**

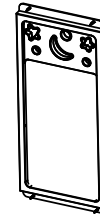
1pc. - **2681** - 1-1/4 x 3 x 62-5/8" - Long Floor Joist - **3632681**

2pc. - **2684** - 1-1/4 x 4-7/8 x 7" - Mid Roof End - **3632684**

1x - Deluxe Kitchen Set  
(3320969)



1x - Sky Chalk Wall  
(3320217)



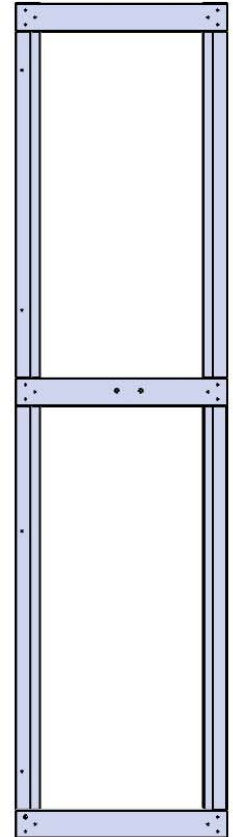
1x - Flag and Pole (2pk)  
(3320632)



1x - Sky Gable  
(3320212)



2pc. - **2677**  
Narrow Panel 1 1/4 x 22 x 87"  
**37632677**

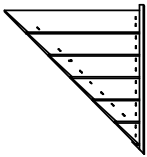


1x - ADD ON C Bracket Set (3204910)

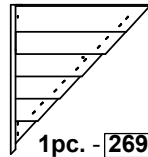
1x - Flat Panel Bracket (4 Pk)  
(3200641)



1x - Narrow Angle Bracket (3 Pk)  
(3200640)

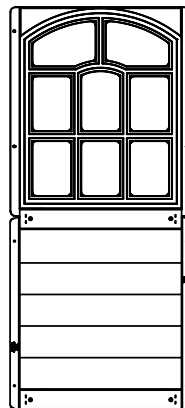
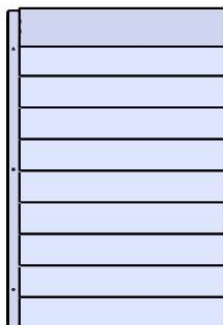


1pc. - **2689**  
Gable Dormer Lt 1 1/4 x 14.6 x 22"  
**37632689**



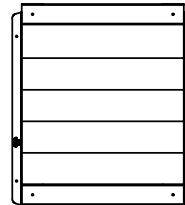
1pc. - **2699**  
Gable Dormer Rt 1 1/4 x 14.6 x 22"  
**37632699**

1pc. - **2671**  
Back Small Roof 1 1/4 x 22-9/16 x 33-3/8"  
**37632671**

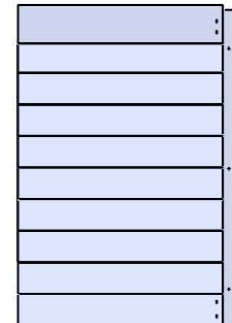


1pc. - **2649**  
Lower Window Insert  
1.27 x 18.8 x 41.91"  
**37632649**

1pc. - **2672**  
Front Small Roof 1 1/4 x 22-9/16 x 33-5/8"  
**37632672**

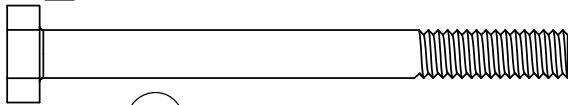


2pc. - **649A**  
Short Half Wall  
1.27 x 18.8 x 20-15/16"  
**37632649A**

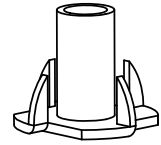


# Hardware Identification(Actual Part Size) Box 5 of 6

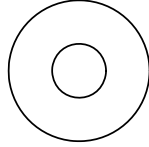
2pc. **H11** - Hex Bolt 1/4 x 2-3/4" - (53703223)



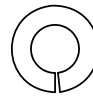
2pc. **TN1** - 1/4" T - Nut  
(54503200)



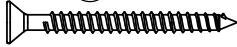
2pc. **FW1** - 1/4" Flat Washer - (51103200)



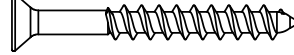
2pc. **LW1** - 1/4" Lock Washer - (51303200)



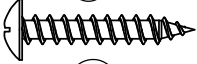
20pc. **TS** - Trim Screw #6 x 30mm - (52953911)



44pc. **S2** - Wood Screw #8 x 1-1/2" - (52043512)



21pc. **S0** - Truss Screw #8 x 7/8" - (52933505)



30pc. **S11** - Wood Screw #8 x 2" - (52043520)



9pc. **S10** - Pan Screw #8 x 1"  
- (52433510)



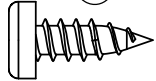
12pc. **S3** - Wood Screw #8 x 2-1/2" - (52043522)



6pc. **S5** - Pan Screw #8 x 1/2" - (52433502)



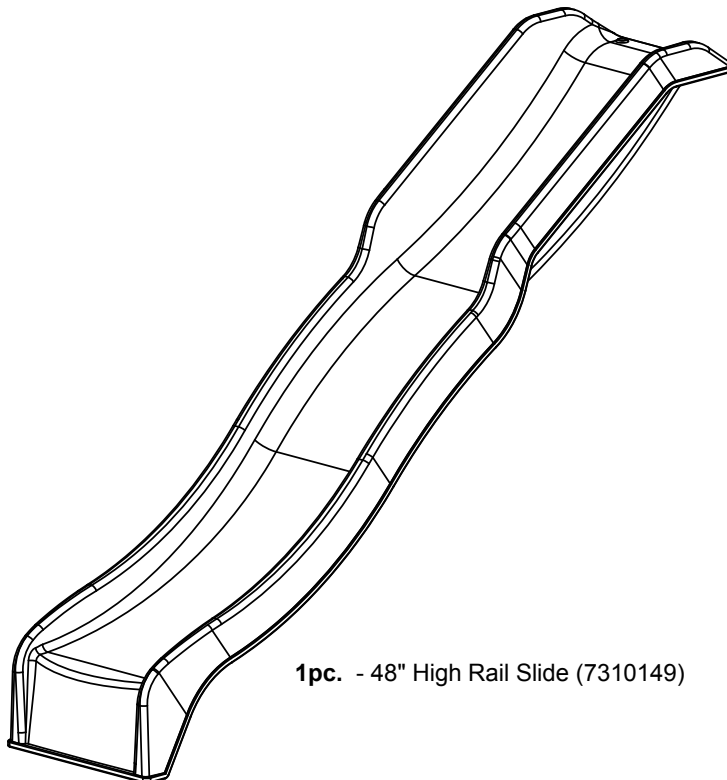
16pc. **S8** - Pan Screw #12 x 3/4"  
- (52433603)



1pc. **S4** - Wood Screw #8 x 3" - (52043530)



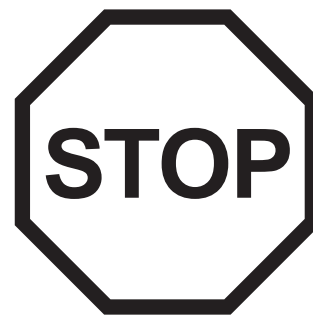
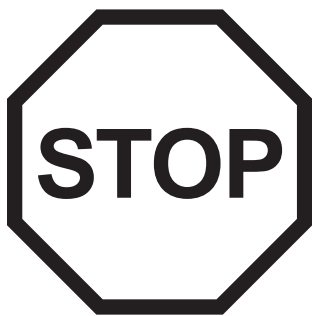
# Part Identification(Reduced Part Size) Box 6 of 6



1pc. - 48" High Rail Slide (7310149)



# Step 1: Inventory Parts - Read This Before Starting Assembly



- A.** This is the time for you to inventory all your hardware, wood and accessories, referencing the parts identification sheets. This will assist you with your assembly.
- The wood pieces will have the four digit key number stamped on the ends of the boards. The wood pieces are referenced throughout the instructions with this number.
  - Please refer to Page 6 for proper hardware assembly.
  - Each step indicates which bolts and/or screws you will need for assembly, as well as any flat washers, lock washers, t-nuts or lock nuts.
- B.** If there are any missing or damaged pieces or you need assistance with assembly please contact the Consumer Relations Department directly. Call us before going back to the store.

**1-877-966-3738**  
**support@solowavedesign.com**

- C.** Read the assembly manual completely, paying special attention to ANSI warnings; notes; and safety/maintenance information on pages 1 - 6.
- D.** Before you discard your cartons fill out the form below.
- The carton I.D. stamp is located on the end of each carton. The tracking number is located on the Big Backyard ID Plaque (3320356).
  - Please retain this information for future reference. You will need this information if you contact the Consumer Relations Department.

**MODEL NUMBER: F24920**

CARTON I.D. STAMP: \_ \_ \_ \_ 14459 \_ (Box 1)

CARTON I.D. STAMP: \_ \_ \_ \_ 14459 \_ (Box 4)

CARTON I.D. STAMP: \_ \_ \_ \_ 14459 \_ (Box 2)

CARTON I.D. STAMP: \_ \_ \_ \_ 14459 \_ (Box 5)

CARTON I.D. STAMP: \_ \_ \_ \_ 14459 \_ (Box 3)

CARTON I.D. STAMP: \_ \_ \_ \_ 14459 \_ (Box 6)

TRACKING NUMBER (from ID Plaque): \_\_\_\_\_

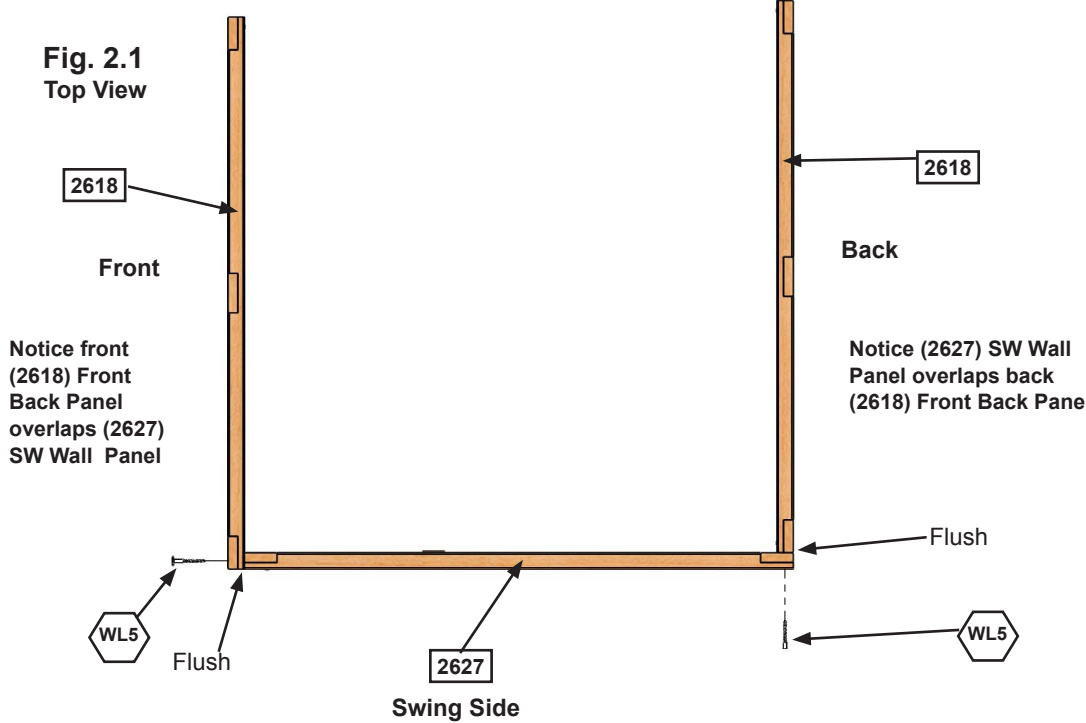
# Step 2: Frame Assembly Part 1



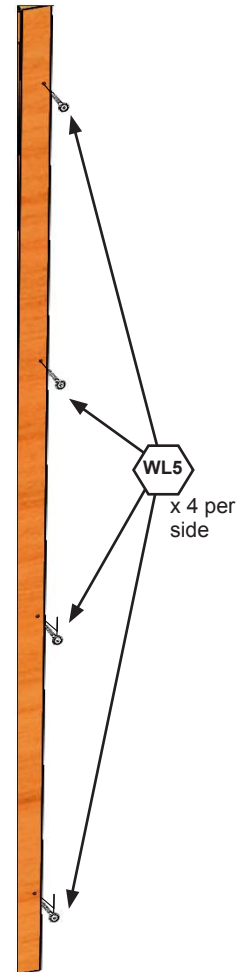
*It is important to assemble the frame on a flat, smooth surface.*

**A:** Place (2627) SW Wall Panel between 2 (2618) Front Back Panels noticing the panel orientations. The tops and bottoms of the panels should be flush. Make sure the panels are square then using the pilot holes as a guide pre-drill with a 3/16" drill bit and fasten the front (2618) Front Back Panel to (2627) SW Wall Panel and (2627) SW Wall Panel to the back (2618) Front Back Panel with 4 (WL5) 1/4 x 2-1/2" Wafer Lags per side. (fig. 2.1, 2.2 and 2.3)

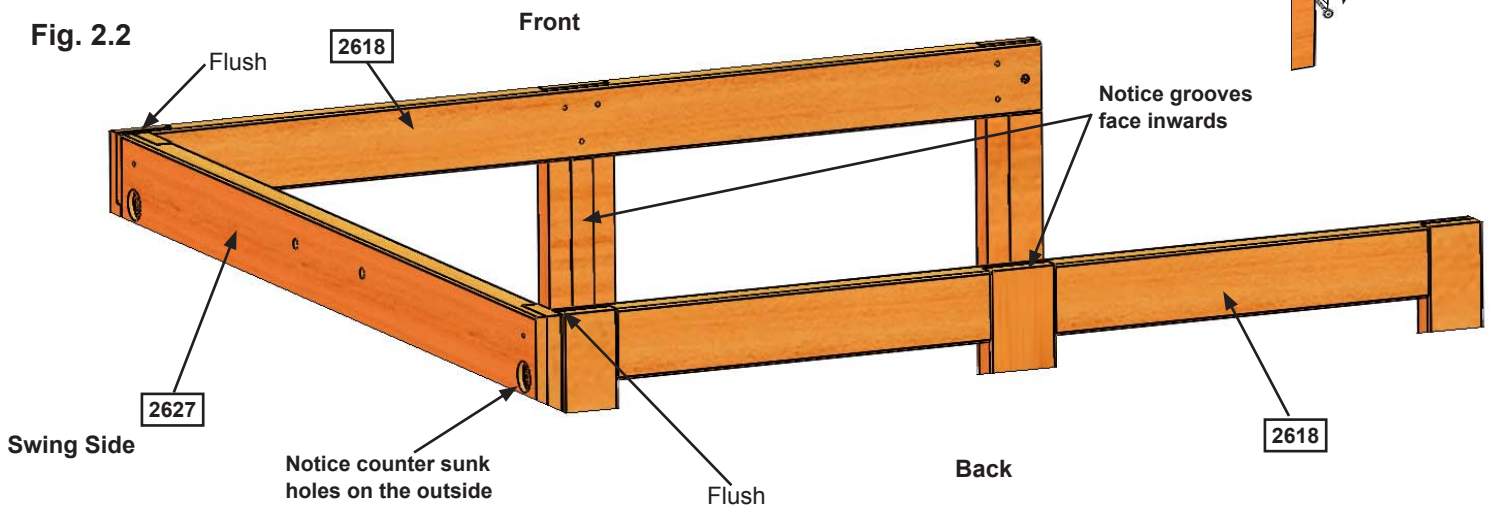
**Fig. 2.1**  
Top View



**Fig. 2.3**



**Fig. 2.2**



**Wood Parts**

- 2 x 2618 Front Back Panel 1-1/4 x 42 x 87"
- 1 x 2627 SW Wall Panel 1-1/4 x 42 x 87"

**Hardware**

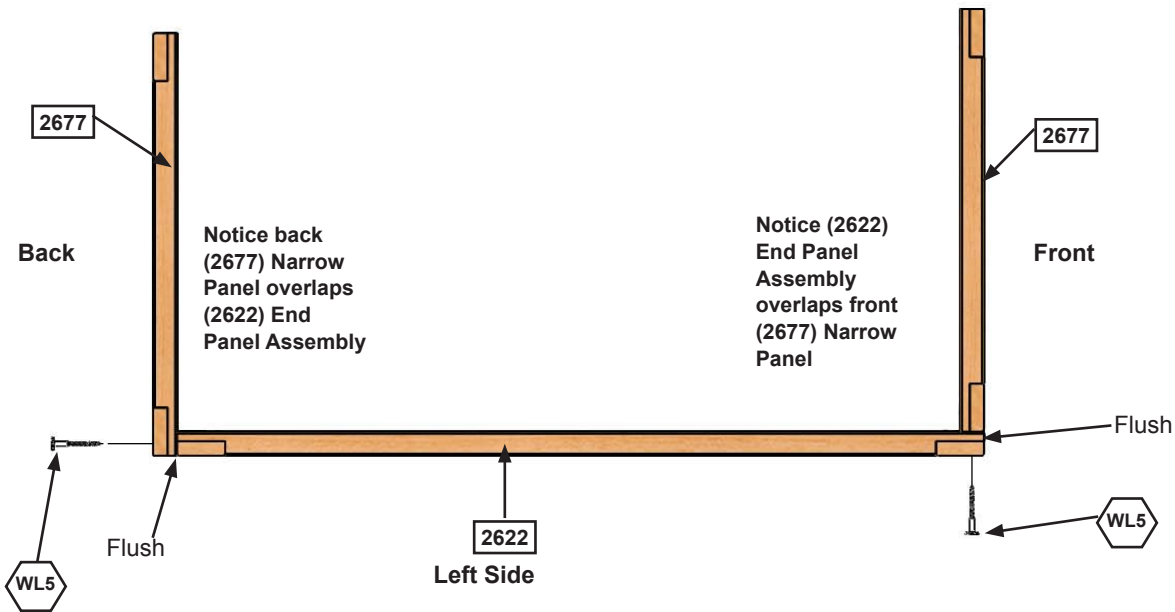
- 8 x WL5 1/4 x 2-1/2" Wafer Lag

# Step 2: Frame Assembly Part 2

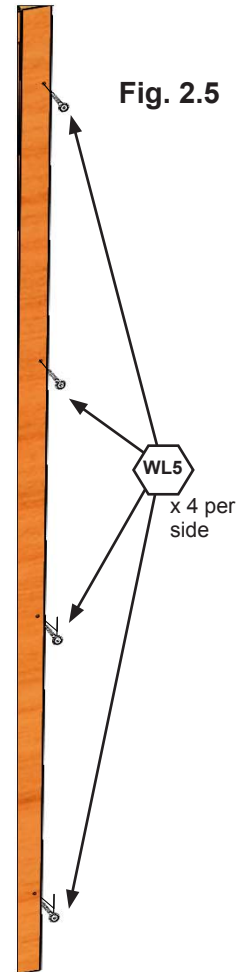


**B:** Place (2622) End Panel Assembly between 2 (2677) Narrow Panels noticing the panel orientations. The tops and bottoms of the panels should be flush. Make sure the panels are square then using the pilot holes as a guide pre-drill with a 3/16" drill bit and fasten the back (2677) Narrow Panel to (2622) End Panel Assembly and (2622) End Panel Assembly to the front (2677) Narrow Panel with 4 (WL5) 1/4 x 2-1/2" Wafer Lags per side. (fig. 2.4, 2.5 and 2.6)

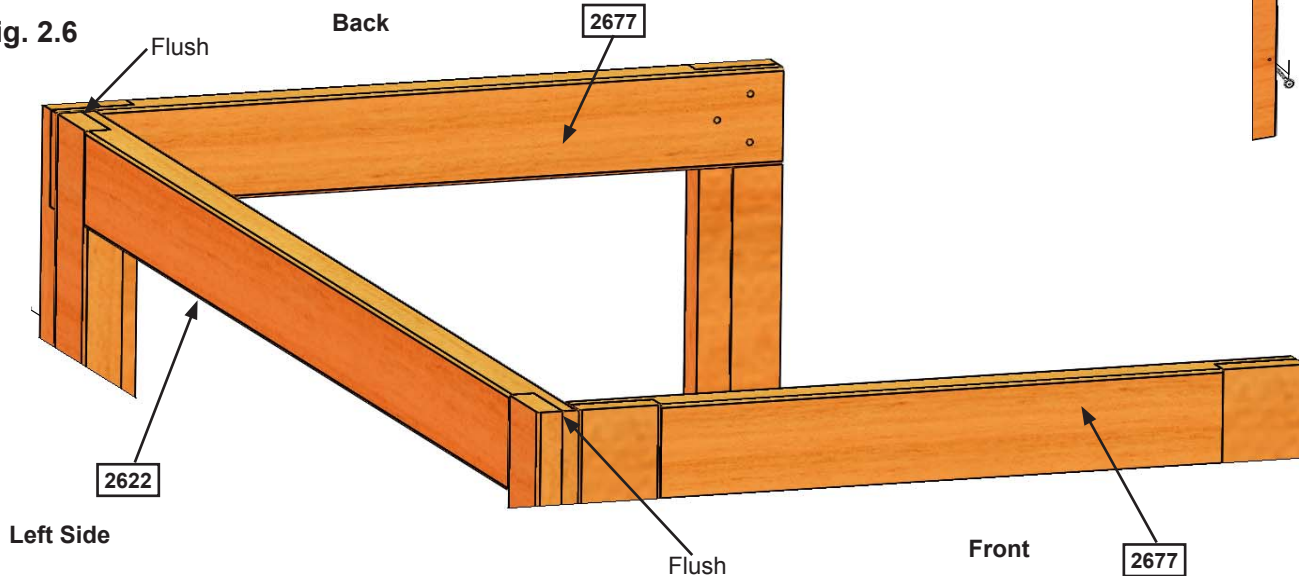
**Fig. 2.4**  
Top View



**Fig. 2.5**



**Fig. 2.6**



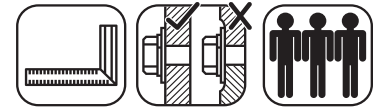
### Wood Parts

- 1 x (2622) End Panel Assembly 1-1/4 x 42 x 87"
- 2 x (2677) Narrow Panel 1-1/4 x 22 x 87"

### Hardware

- 8 x (WL5) 1/4 x 2-1/2" Wafer Lag

# Step 3: Join Frame Assemblies Part 1



**A:** With at least two helpers lift the two wall assemblies so the (2618) Front Back Panels meet and are tight to the (2677) Narrow Panels as shown in fig. 3.1.

**B:** Make sure the assembly is square then on the inside of the assembly, tight to (2622) End Panel Assembly and flush to the bottom of the panels attach 1 (2608) Floor Joist to (2677) Narrow Panel and (2618) End Panel Assembly on the front and back walls with 4 (S11) #8 x 2" Wood Screws per board. (fig. 3.1 and 3.2)

Fig. 3.1

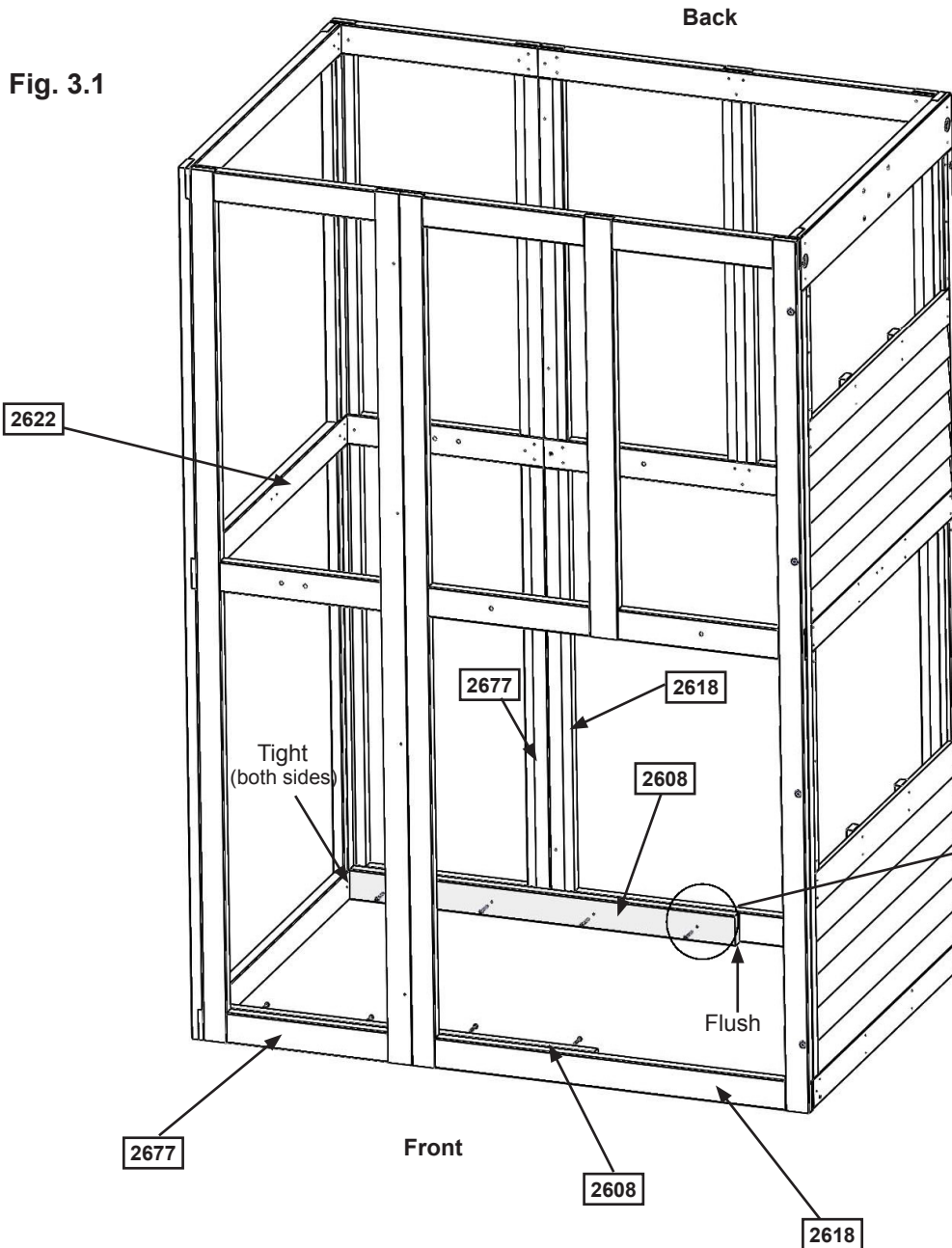
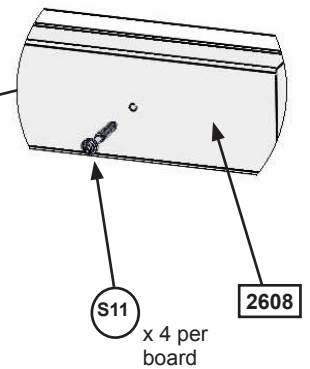


Fig. 3.2



### Wood Parts

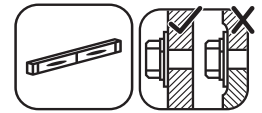
2 x **2608** Floor Joist 1-1/4 x 3 x 40-3/4"

### Hardware

8 x **S11** #8 x 2" Wood Screw



# Step 3: Join Frame Assemblies Part 2



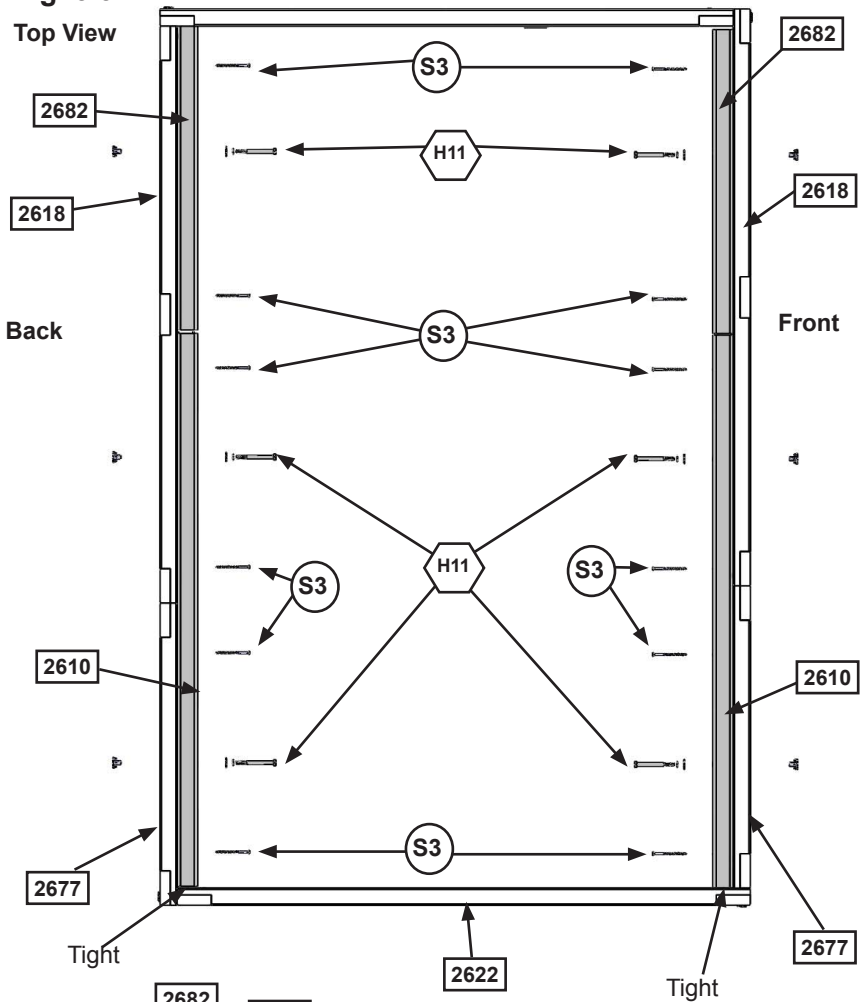
**C:** On the Back Wall, from inside the assembly, tight to (2622) End Panel Assembly, halfway up the assembly attach 1 (2610) Side Joist to (2677) Narrow Panel and (2618) Front Back Panel with 2 (H11) 1/4 x 2-3/4" Hex Bolts (with lock washer, flat washer and t-nut). Bolts are installed from inside the assembly. Make sure (2610) Side Joist is level then attach with 4 (S3) #8 x 2-1/2" Wood Screws. (fig. 3.3 and 3.4)

**D:** Tight to (2610) Side Joist attach (2682) Short Side Joist to (2618) End Panel Assembly with 1 (H11) 1/4 x 2-3/4" Hex Bolt (with lock washer, flat washer and t-nut). Bolt is installed from inside the assembly. Make sure (2682) Short Side Joist is level and flush to the top of (2610) Side Joist then attach with 2 (S3) #8 x 2-1/2" Wood Screws. (fig. 3.3 and 3.4)

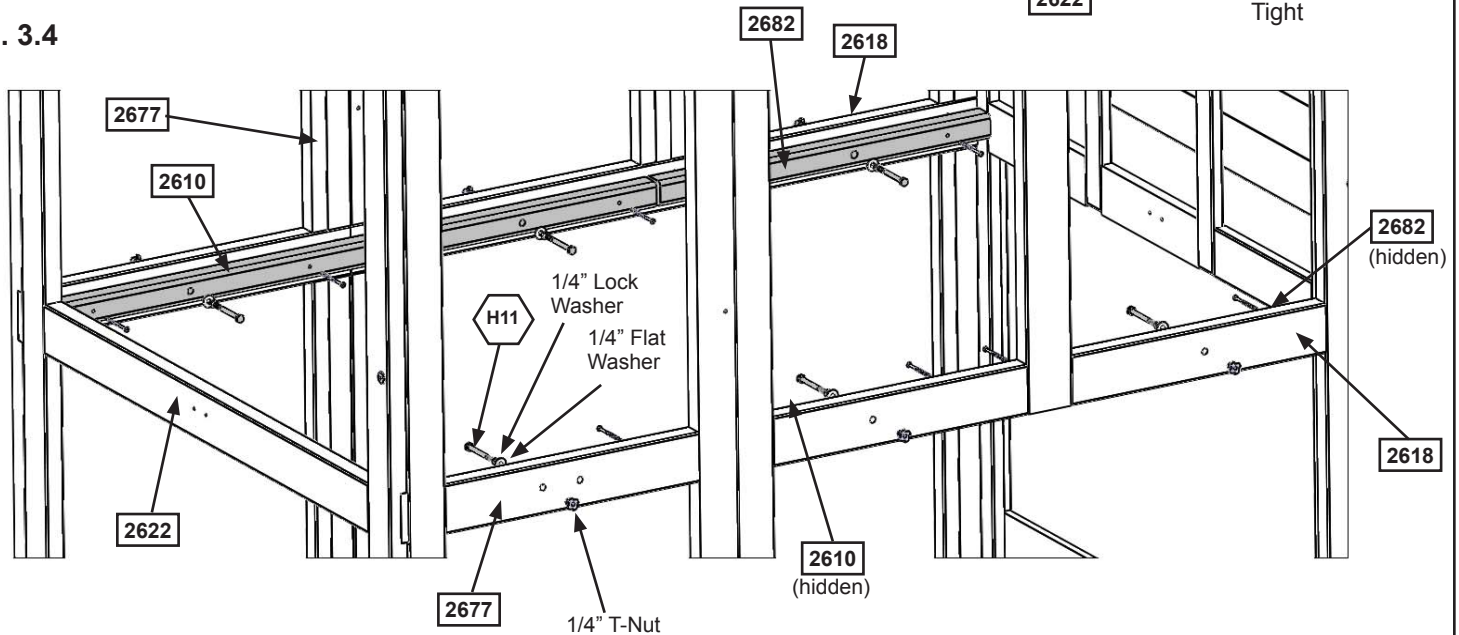
**E:** Repeat C and D for the Front Wall. (fig. 3.3 and 3.4)

**Fig. 3.3**

Top View



**Fig. 3.4**



**Wood Parts**

- 2 x 2610 Side Joist 2 x 2 x 40-1/4"
- 2 x 2682 Short Side Joist 2 x 2 x 22-1/8"

**Hardware**

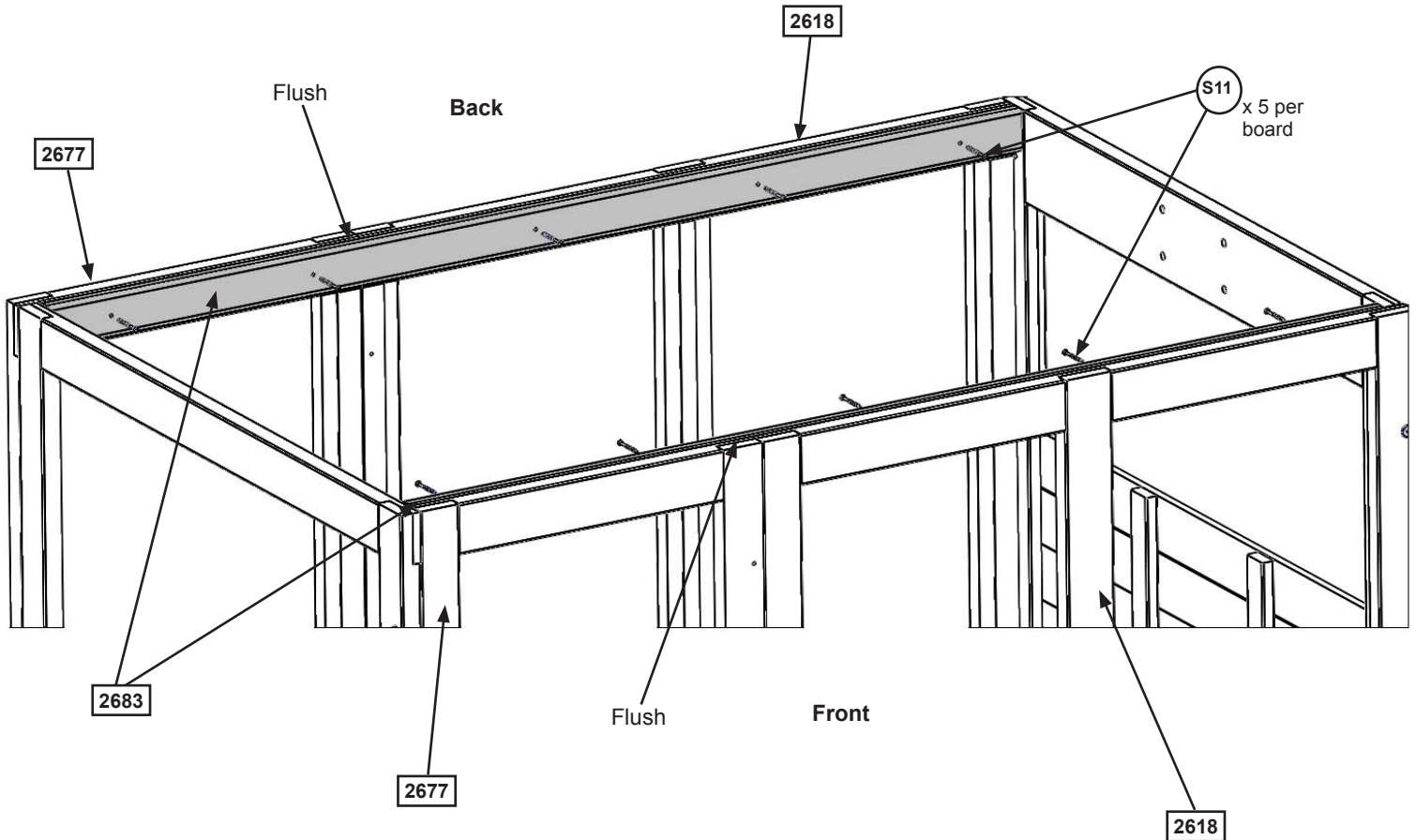
- 12 x S3 #8 x 2-1/2" Wood Screw
- 6 x H11 1/4 x 2-3/4" Hex Bolt  
(1/4" lock washer, 1/4" flat washer, 1/4" t-nut)

# Step 3: Join Frame Assemblies Part 3



F: From inside the assembly, flush to the top of the assembly attach 1 (2683) Wall Tie to (2677) Narrow Panel and (2618) Front Back Panel on both the front and back walls with 5 (S11) #8 x 2" Wood Screws per board. (fig. 3.5)

Fig. 3.5



### Wood Parts

2 x 2683 Wall Tie 5/4 x 3 x 62-5/8"

### Hardware

10 x S11 #8 x 2" Wood Screw

# Step 3: Join Frame Assemblies

## Part 4

**G:** On the inside of the assembly attach (2677) Narrow Panel to (2618) Front Back Panel on both the front and back walls using 2 Flat Panel Brackets per wall in the places shown with 4 (S8) #12 x 3/4" Pan Screws per bracket. (fig. 3.6 and 3.7)

Fig. 3.6

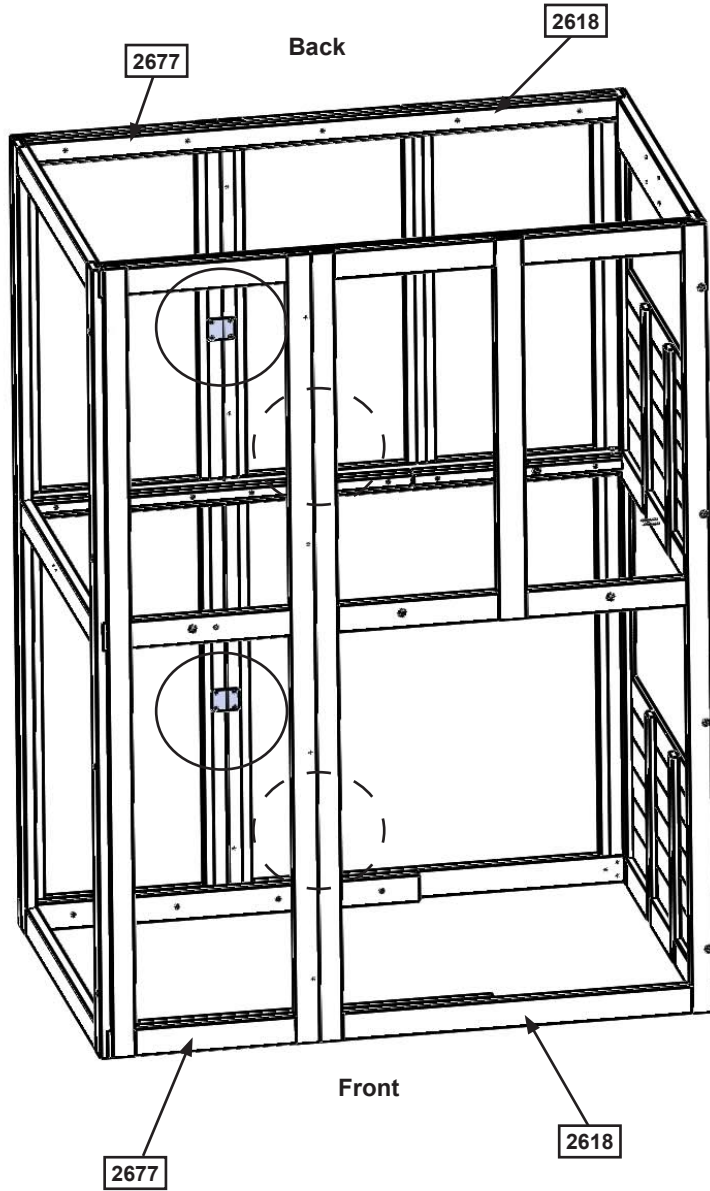
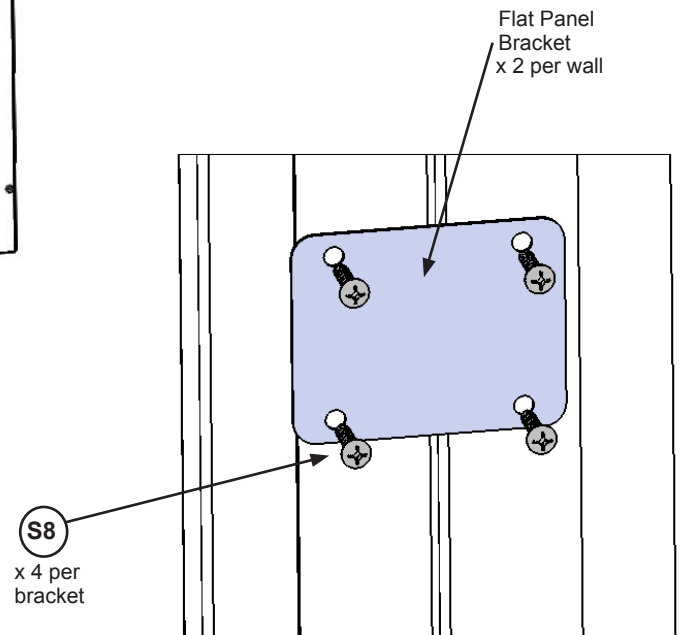



Fig. 3.7  
Inside View



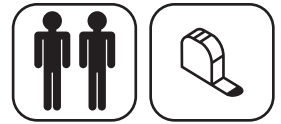
### Hardware

16 x  #12 x 3/4" Pan Screw

### Other Parts

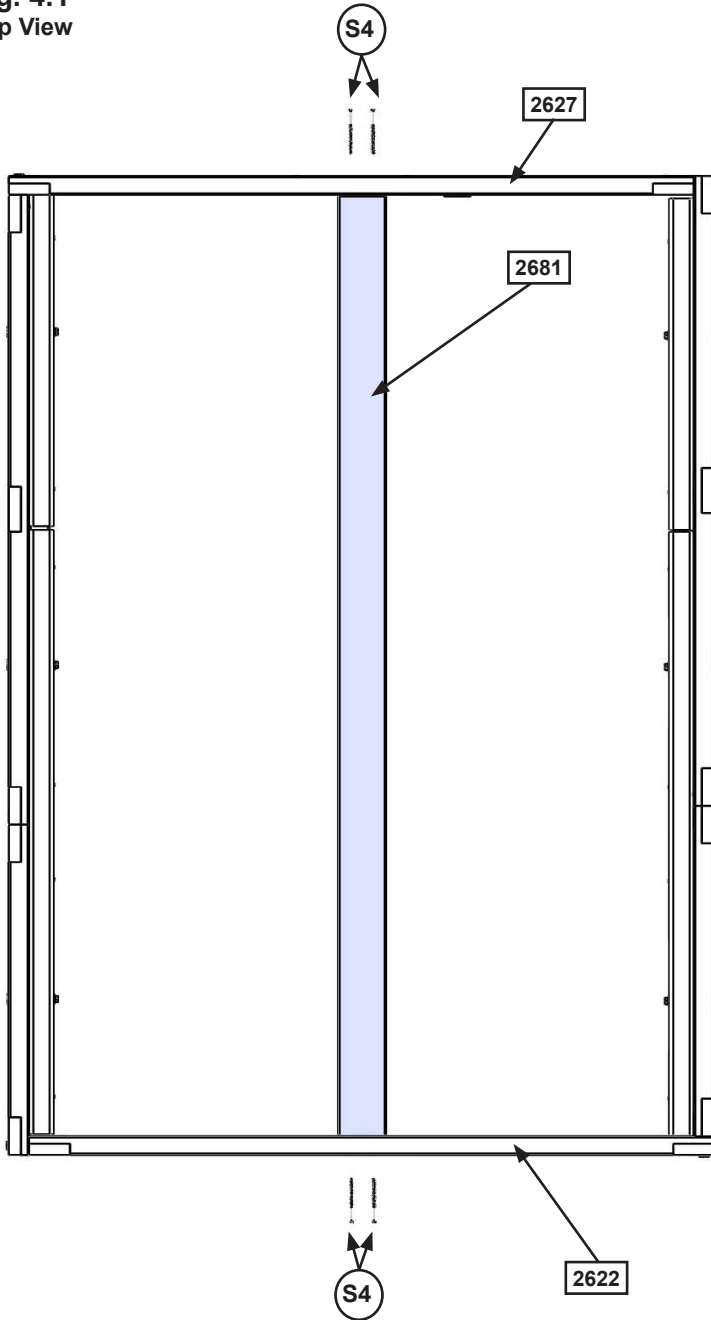
4 x Flat Panel Bracket

# Step 4: Floor Assembly Part 1

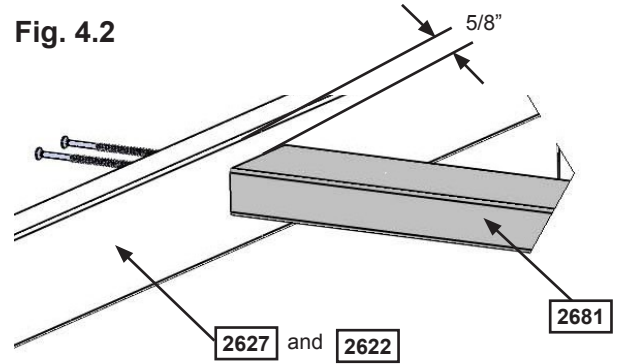


**A:** From inside of the assembly centre (2681) Long Floor Joist over pilot holes in (2622) End Panel Assembly and (2627) SW Wall Panel, 5/8" down from the top of boards then attach (2681) Long Floor Joist to each panel with 2 (S4) #8 x 3" Wood Screws per end. (fig.4.1, 4.2 and 4.3)

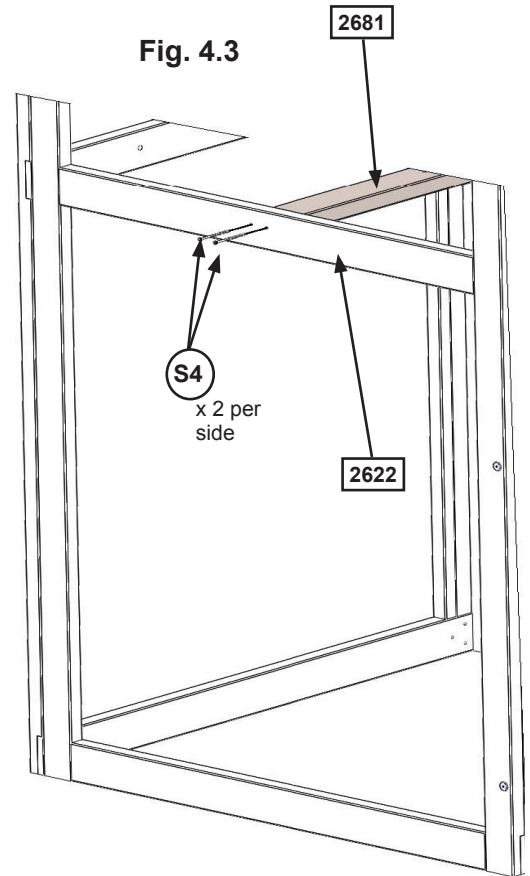
**Fig. 4.1**  
Top View



**Fig. 4.2**



**Fig. 4.3**



**Wood Parts**

1 x **2681** Long Floor Joist 1-1/4 x 3 x 62-5/8"

**Hardware**

4 x **S4** #8 x 3" Wood Screw

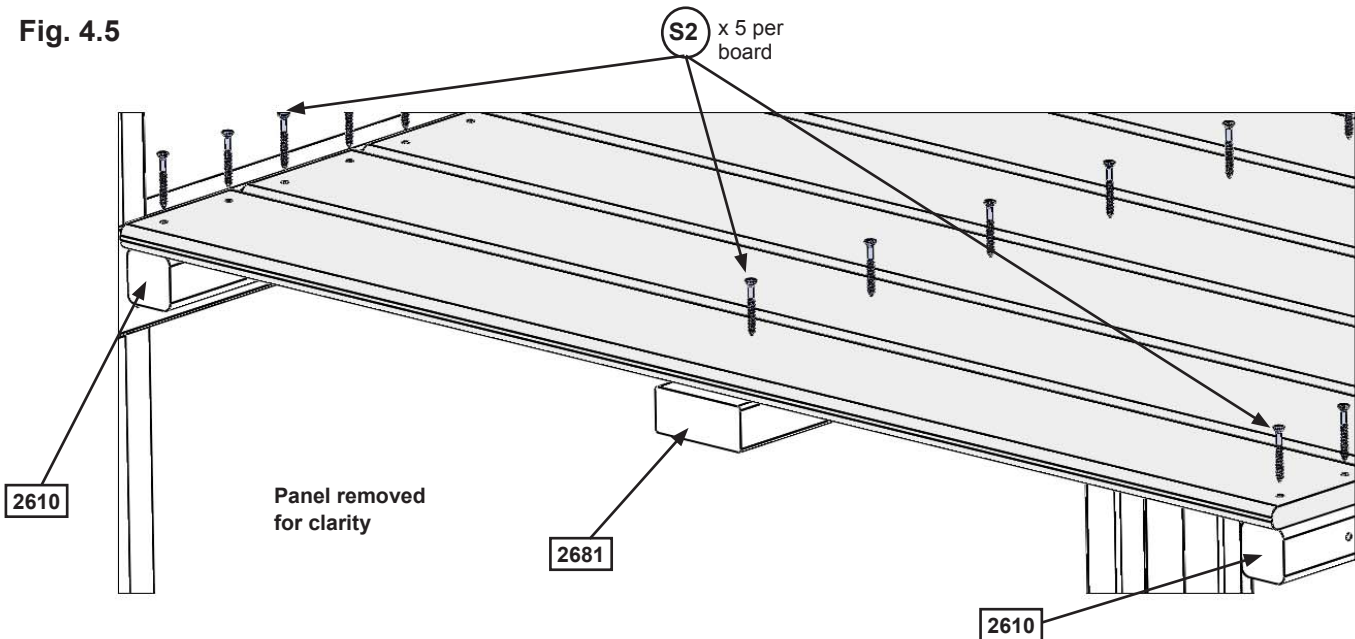
# Step 4: Floor Assembly Part 2

**B:** Starting at (2627) SW Wall Panel place 4 (2609) Floor Boards followed by 1 (2648) Floor Board then the remaining 9 (2609) Floor Boards. Make sure all boards are evenly spaced then attach to (2681) Long Floor Joist and each (2610) Side Joist and (2682) Short Side Joist with 5 (S2) #8 x 1-1/2" Wood Screws per board. (fig. 4.4 and 4.5)

**Fig. 4.4**  
Top View



**Fig. 4.5**



**Wood Parts**

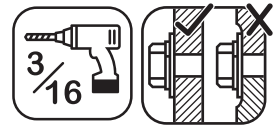
- 1 x 2648 Floor Board 1 x 4 x 40-5/8"
- 13 x 2609 Floor Board 1 x 5 x 40-5/8"

**Hardware**

- 70 x S2 #8 x 1-1/2" Wood Screw



# Step 5: Attach SW Ground and Diagonal



**A:** Loosely attach 1 (2606) SW Ground to each (2607) Diagonal with 1 (H10) 1/4 x 2-1/4" Hex Bolt (with lock washer, flat washer and t-nut) per board then place each (2607) Diagonal tight and flush to the front of (2627) SW Wall Panel. (2606) SW Grounds to be flush to the bottom of (2627) SW Wall Panel. (fig. 5.1 and 5.2)

**B:** Pre-drill pilot hole with a 3/16" drill bit then attach each (2607) Diagonal to (2627) SW Wall Panel with 1 (LS3) 1/4 x 3" Lag Screw (with flat washer) per board, checking that they remain flush to outside edge. (fig. 5.1 and 5.2)

**C:** Make sure bottom of each (2606) SW Ground is flush to bottom of (2627) SW Wall Panel then attach with 2 (S11) #8 x 2" Wood Screws and 1 (S4) #8 x 3" Wood Screw per board. Tighten all bolts. (fig. 5.1 and 5.2)

Fig. 5.1

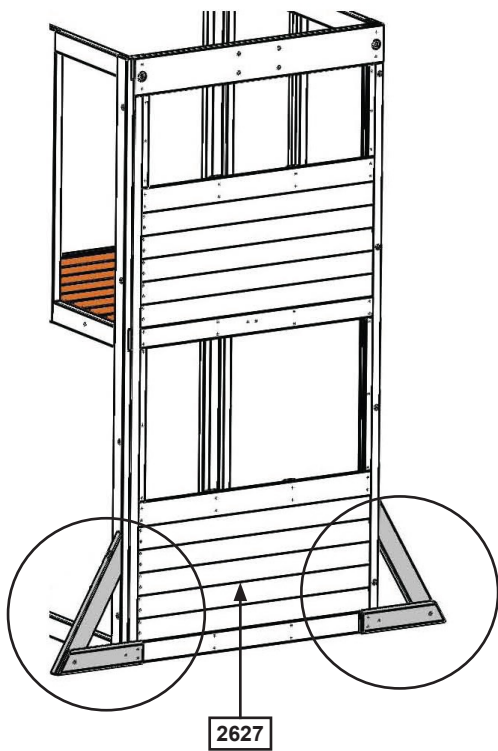
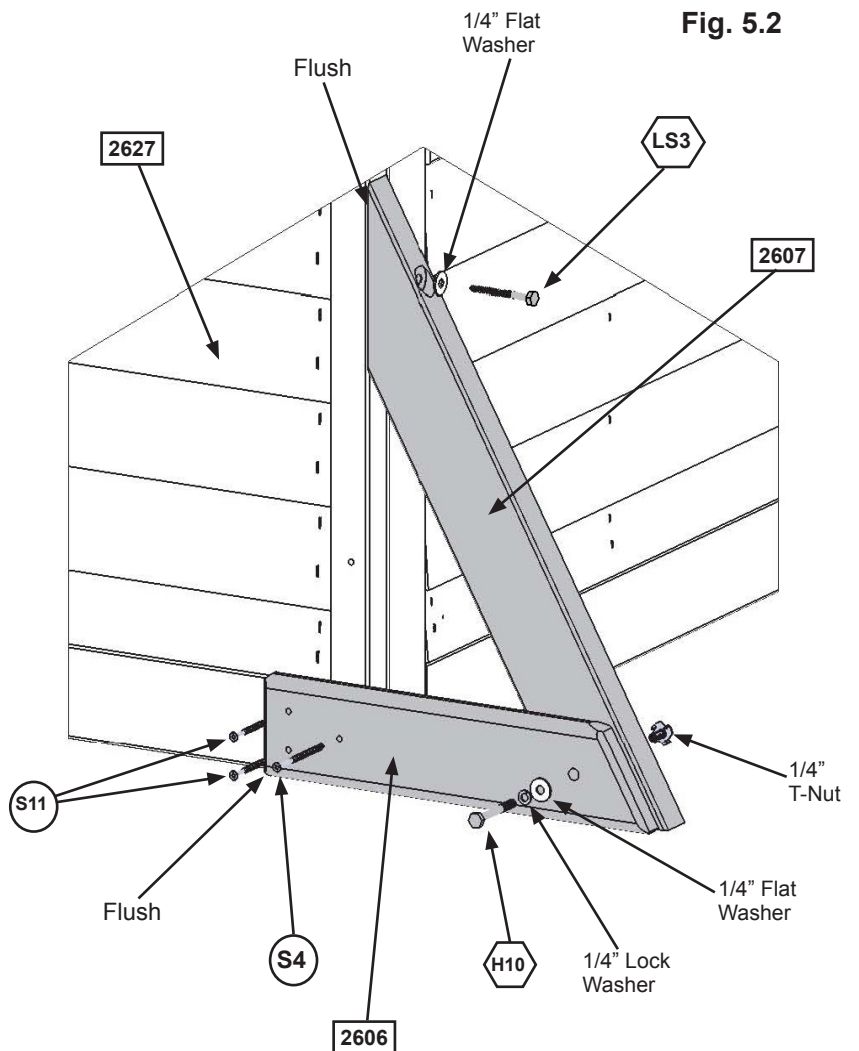


Fig. 5.2



### Wood Parts

- 2 x 2606 SW Ground 5/4 x 4 x 14-1/4"
- 2 x 2607 Diagonal 1-1/4 x 3 x 22"

### Hardware

- 2 x H10 1/4 x 2-1/4" Hex Bolt (1/4" lock washer, 1/4" flat washer, 1/4" t-nut)
- 2 x LS3 1/4 x 3" Lag Screw (1/4" flat washer)
- 2 x S4 #8 x 3" Wood Screw
- 4 x S11 #8 x 2" Wood Screw





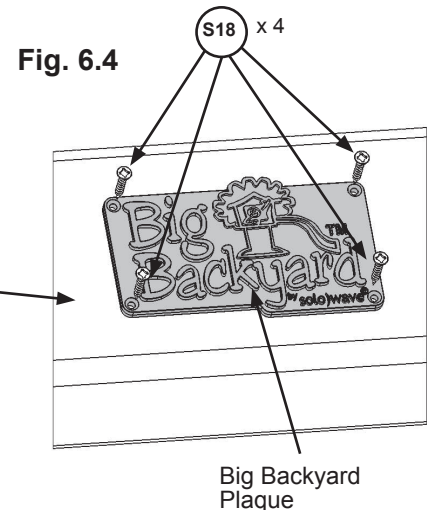
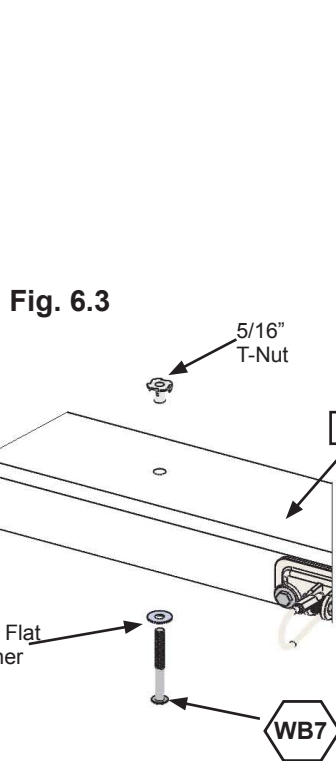
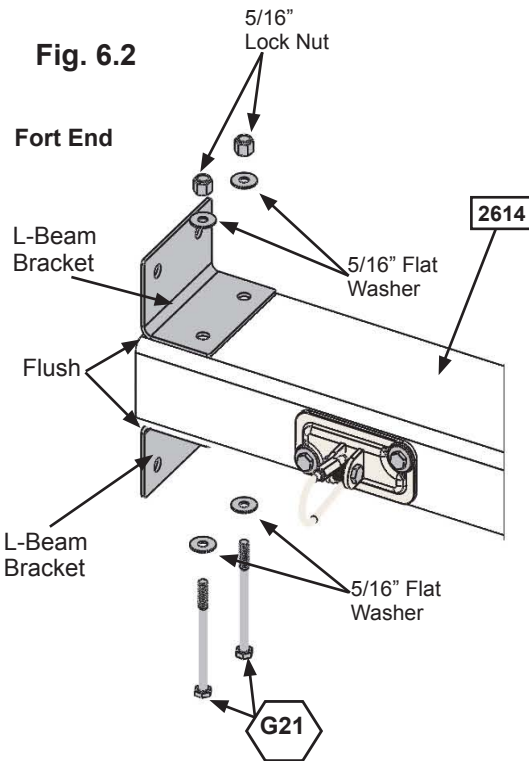
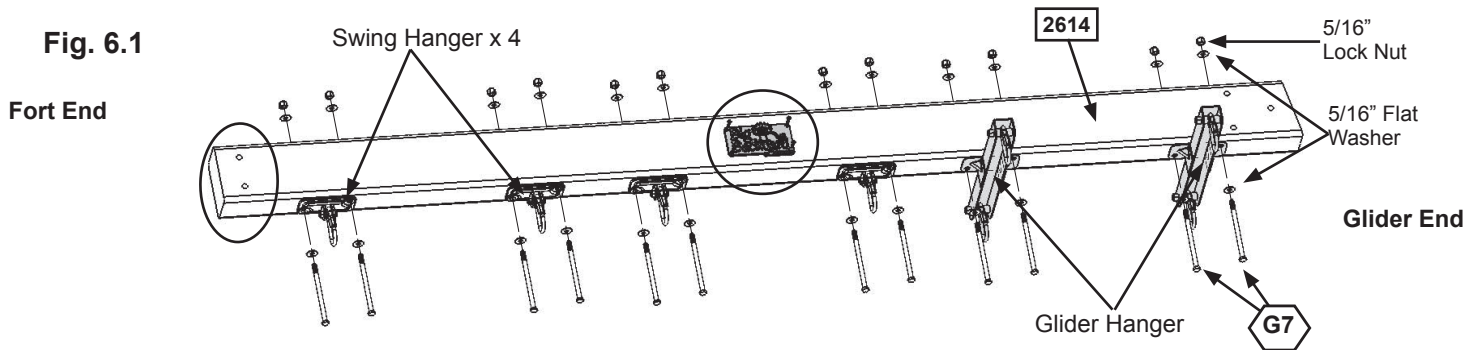
# Step 6: Swing Beam Assembly

**A:** Attach 4 Swing Hangers to Fort End of (2614) Engineered Beam and 2 Glider Hangers to the Glider End using 2 (G7) 5/16 x 5-1/2" Hex Bolts (with 2 flat washers and 1 lock nut) per Swing Hanger and Glider Hanger, as shown in fig. 6.1.

**B:** Flush to the Fort End of (2614) Engineered Beam attach 2 L-Beam Brackets with 2 (G21) 5/16 x 3-3/4" Hex Bolts (with 2 flat washers and 1 lock nut). (fig. 6.2)

**C:** Install 1 (WB7) 5/16 x 3" Wafer Bolt (with flat washer and t-nut) in the middle bolt hole in (2614) Engineered Beam as shown in fig. 6.3. **IT IS IMPORTANT THAT THIS BOLT IS ATTACHED. IT WILL MINIMIZE CHECKING OF WOOD.**

**D:** Attach Big Backyard Plaque to centre of (2614) Engineered Beam (over top of t-nut) using 4 (S18) #6 x 1" Wood Screws. (fig. 6.4)



### Wood Parts

1 x 2614 Engineered Beam 4 x 6 x 88"

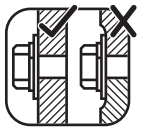
### Hardware

- 12 x G7 5/16 x 5-1/2" Hex Bolt (5/16" flat washer x 2, 5/16" lock nut)
- 2 x G21 5/16 x 3-3/4" Hex Bolt (5/16" flat washer x 2, 5/16" lock nut)
- 1 x WB7 5/16 x 3" Wafer Bolt (5/16" flat washer & 5/16" t-nut)
- 4 x S18 #6 x 1" Wood Screw

### Other Parts

- 4 x Swing Hangers
- 2 x Glider Hanger
- 2 x L-Beam Bracket
- 1 x Big Backyard Plaque

# Step 7: Swing End Assembly

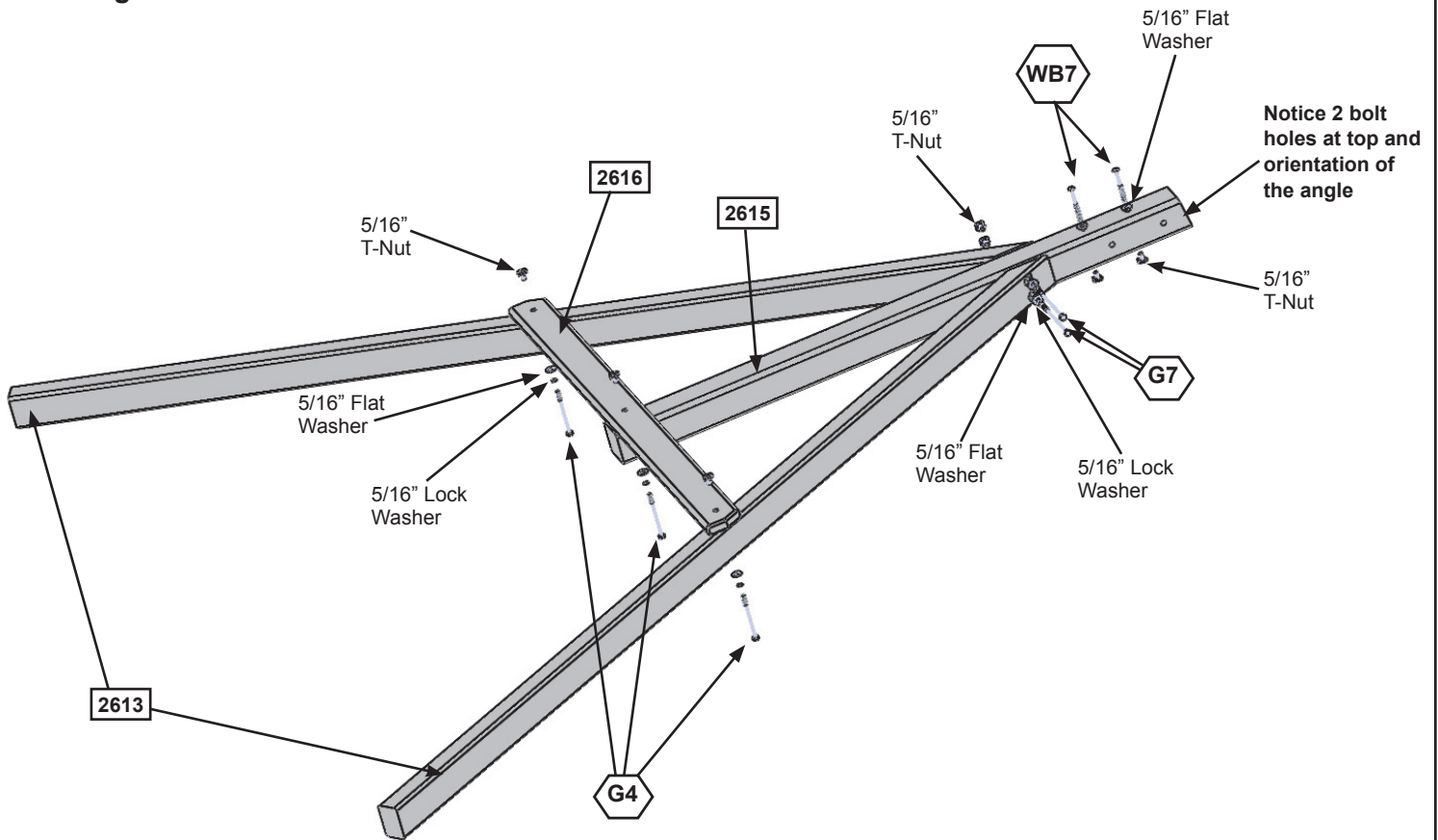


**A:** Loosely attach 2 (2613) Heavy SW Posts to (2615) SW Upright using 2 (G7) 5/16 x 5-1/2" Hex Bolts (with lock washer, flat washer and t-nut). Notice 2 bolt holes at top of (2615) SW Upright and orientation of angle. (fig. 7.1)

**B:** Attach (2616) SW Support to both (2613) Heavy SW Posts and (2615) SW Upright using 3 (G4) 5/16 x 4" Hex Bolts (with lock washer, flat washer and t-nut). Tighten all bolts (fig. 7.1)

**C:** Install 2 (WB7) 5/16 x 3" Wafer Bolts (with flat washer and t-nut) in the top bolt holes in (2615) SW Upright as shown in fig. 7.1. **IT IS IMPORTANT THAT THESE BOLTS ARE ATTACHED. THEY WILL MINIMIZE CHECKING OF WOOD.**

Fig. 7.1



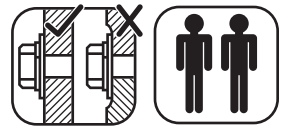
**Wood Parts**

- 2 x 2613 Heavy SW Post 2 x 3 x 86-11/16"
- 1 x 2615 SW Upright 4 x 4 x 50-15/16"
- 1 x 2616 SW Support 5/4 x 4 x 46-1/2"

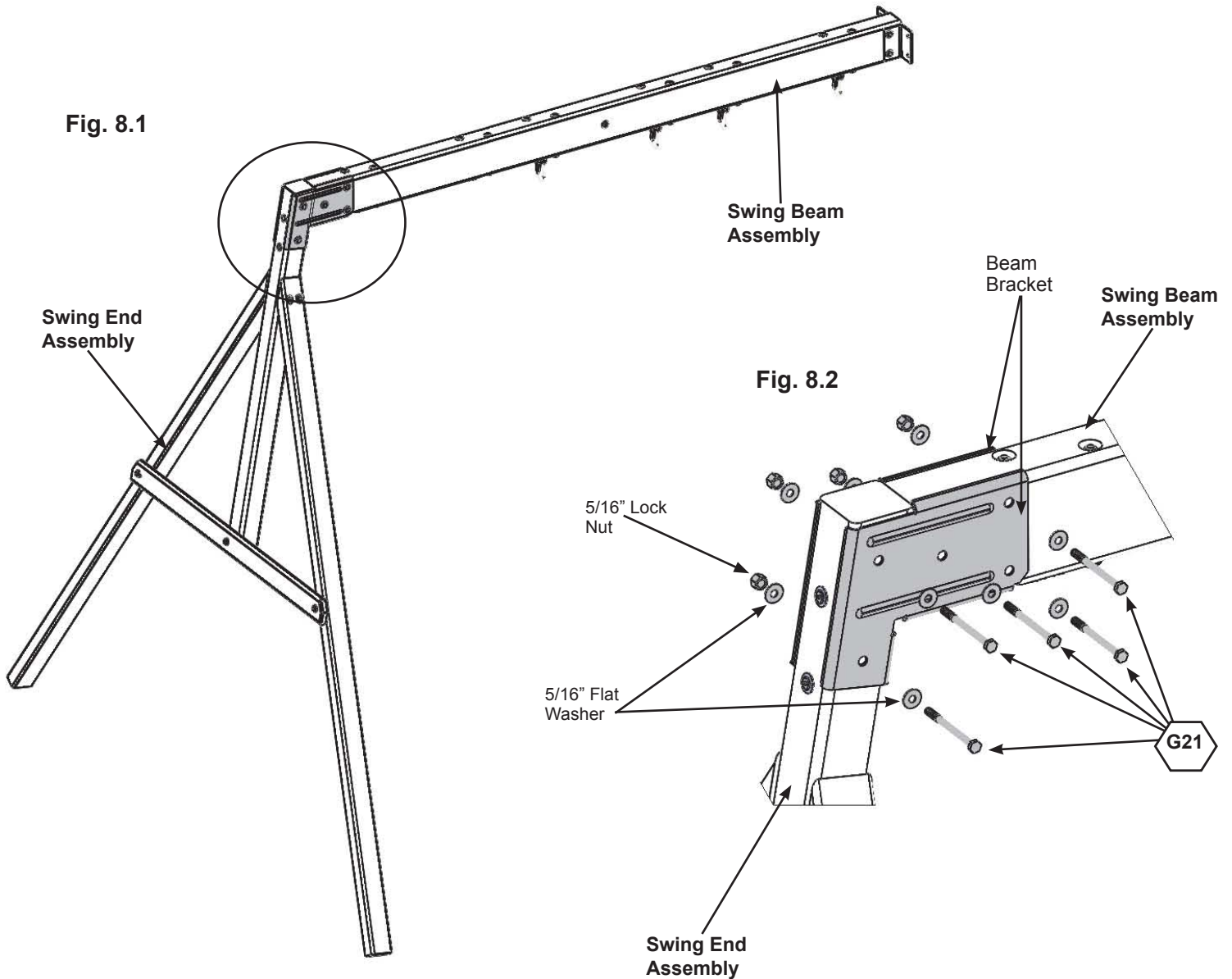
**Hardware**

- 2 x G7 5/16 x 5-1/2" Hex Bolt (5/16" lock washer, 5/16" flat washer, 5/16" t-nut)
- 3 x G4 5/16 x 4" Hex Bolt (5/16" lock washer, 5/16" flat washer, 5/16" t-nut)
- 2 x WB7 5/16 x 3" Wafer Bolt (5/16" flat washer & 5/16" t-nut)

## Step 8: Attach Swing End to Swing Beam



**A:** Place Swing End Assembly against Swing Beam Assembly then place 1 Beam Bracket on each side of the assembly (they are specific for left and right side) and attach with 5 (G21) 5/16 x 3-3/4" Hex Bolts (with 2 flat washers and 1 lock nut). (fig. 8.1 and 8.2)



### Hardware

5 x  5/16 x 3-3/4" Hex Bolt  
(5/16" flat washer x 2, 5/16" lock nut)

### Other Parts

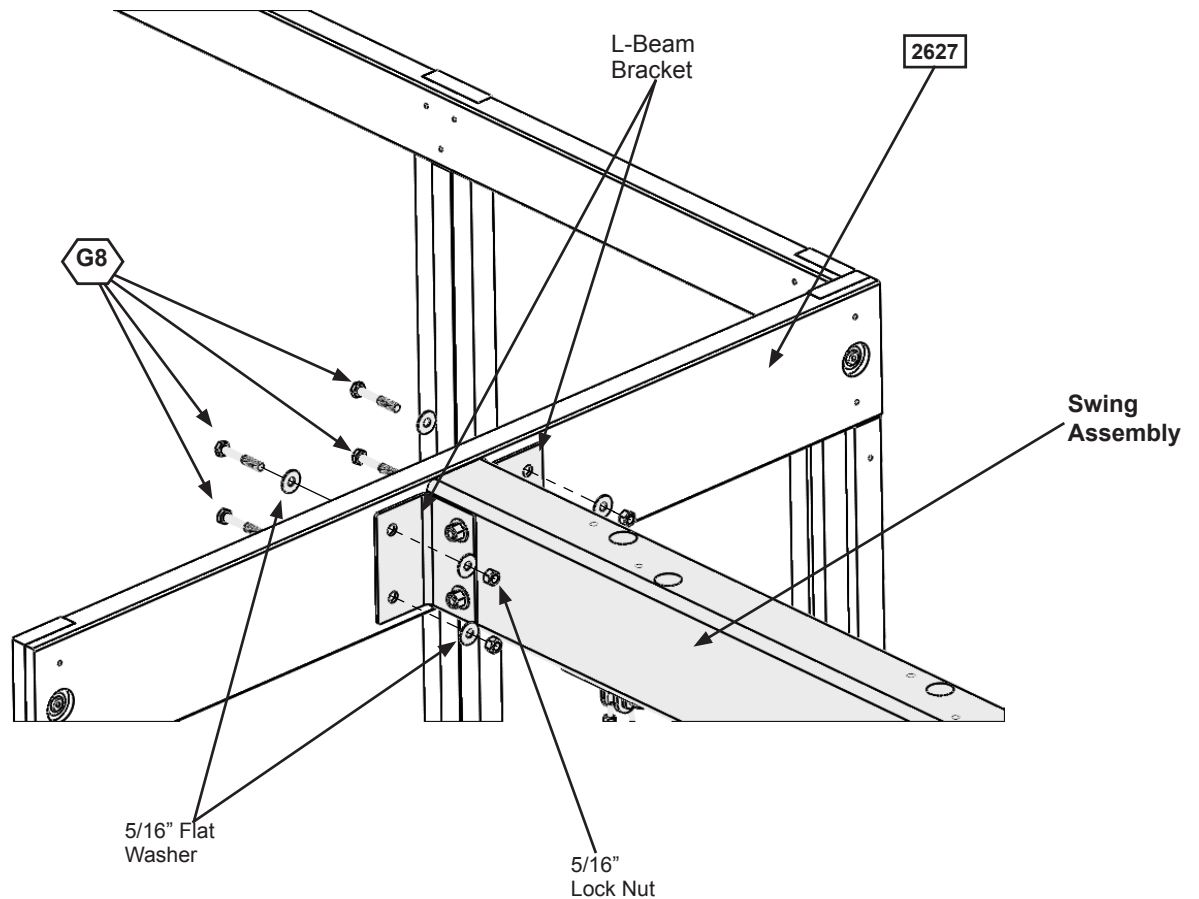
2 x Beam Bracket (Left/Right)

## Step 9: Attach Swing Assembly To Fort



**A:** Place Swing Assembly against top of (2627) SW Wall Panel, make sure assembly is level then attach from inside the fort assembly into each L-Beam Bracket with 4 (G8) 5/16 x 2" Hex Bolts (with 2 flat washers and 1 lock nut). (fig. 9.1)

**Fig. 9.1**



### Hardware

4 x  5/16 x 2" Hex Bolt  
(5/16" flat washer x 2, 5/16" lock nut)

# Step 10: Install Ground Stakes

## MOVE FORT TO FINAL LOCATION PRIOR TO STAKING FINAL LOCATION MUST BE LEVEL GROUND

**A:** In the 5 places shown in fig. 10.1 drive the Rebar Ground Stakes 13" into the ground against outside front corner of (2622) End Panel Assembly, on both (2607) Diagonals and both (2613) Heavy SW Posts. Be careful not to hit the washer while hammering stakes into the ground as this could cause the washer to break off.

**B:** Attach ground stakes using 1 (S7) #12 x 2" Pan Screw per ground stake (fig. 10.2 and 10.3).

**C:** After driving stakes into the ground, check for sharp edges caused by the impact of the hammer. Smooth any sharp edges from impact area and touch up with outdoor paint.

**⚠ Warning!** To prevent tipping and avoid potential injury, stakes must be driven 13" into ground. Digging or driving stakes can be dangerous if you do not check first for under-ground wiring, cables or gas lines.

Fig. 10.1

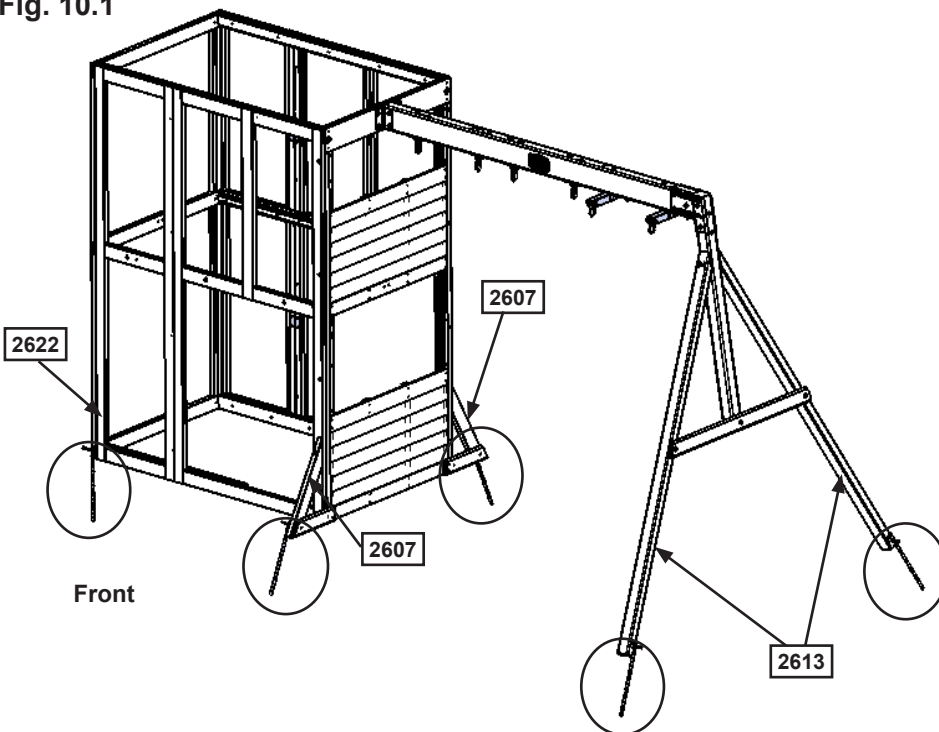


Fig. 10.2

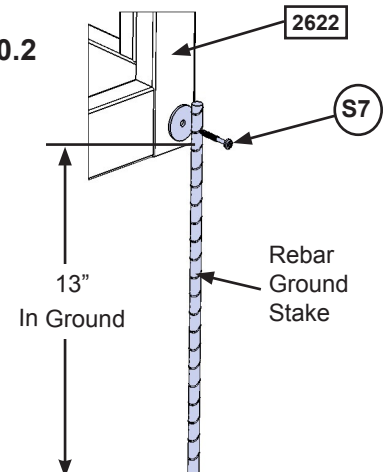
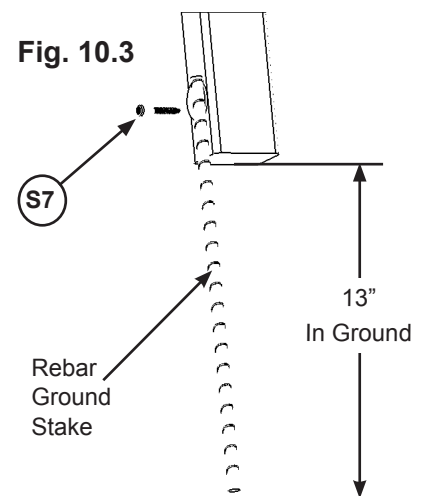


Fig. 10.3



### Hardware

5 x (S7) #12 x 2" Pan Screw

### Other Parts

5 x Rebar Ground Stake

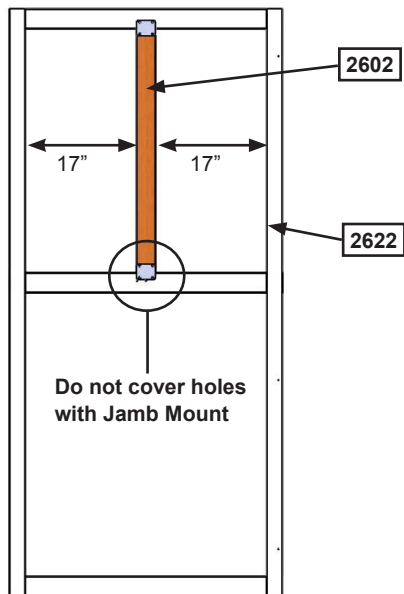
# Step 11: Install Upper and Lower Jambs



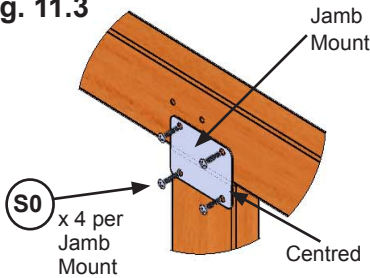
**A:** In the upper opening of (2622) End Panel Assembly place 1 (2602) Upper Jamb so it measures 17" to the inside of each post then attach with 2 Jamb Mounts using 4 (S0) #8 x 7/8" Truss Screws per mount. (fig. 11.1, 11.2, 11.3, 11.4 and 11.5)

**B:** In the lower opening of each (2618) Front Back Panel place 1 (2601) Lower Jamb so it measures 17" to the inside of each post then attach each (2601) Lower Jamb with 2 Jamb Mounts using 4 (S0) #8 x 7/8" Truss Screws per mount. (fig. 11.2, 11.3, 11.4 and 11.6).

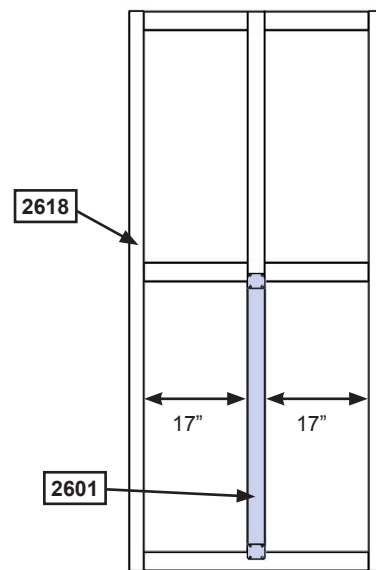
**Fig. 11.1**  
Outside View



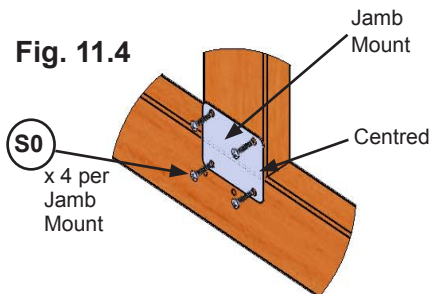
**Fig. 11.3**



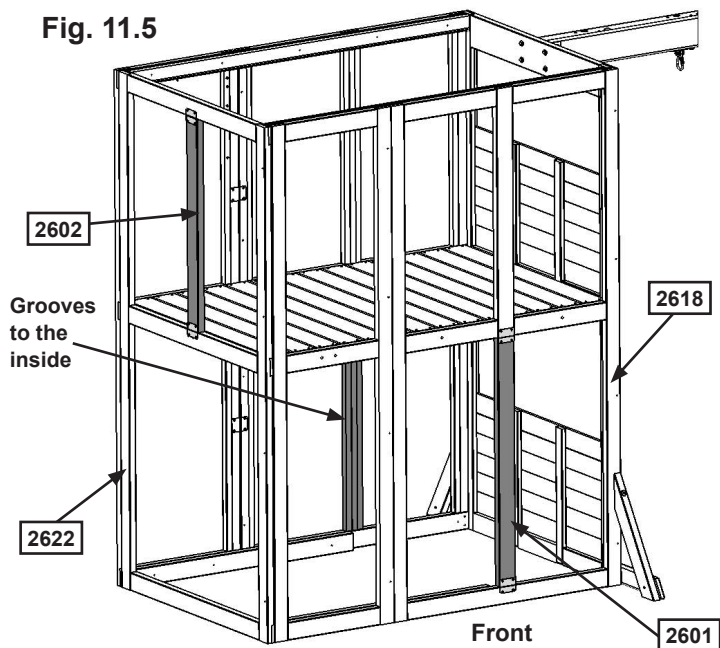
**Fig. 11.2**  
Outside View



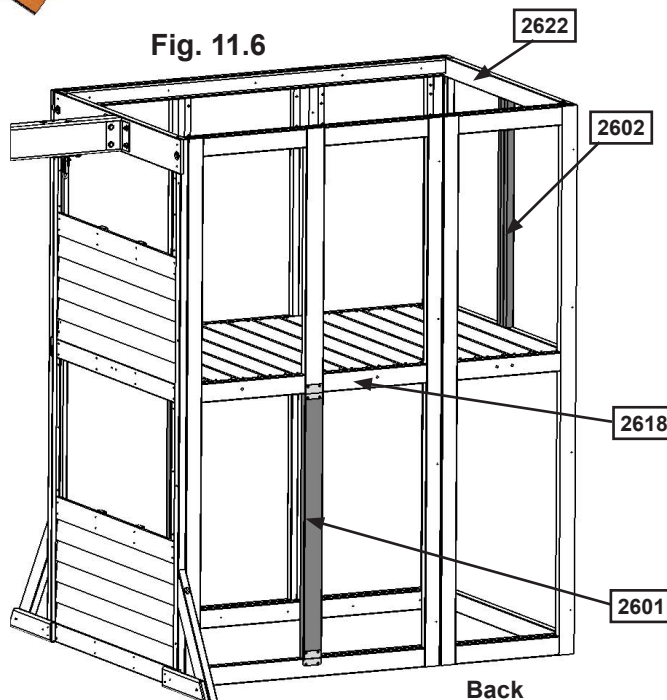
**Fig. 11.4**



**Fig. 11.5**



**Fig. 11.6**



**Wood Parts**

- 1 x 2602 Upper Jamb 1-1/4 x 3 x 35-15/16"
- 2 x 2601 Lower Jamb 1-1/4 x 3 x 41-15/16"

**Hardware**

- 24 x S0 #8 x 7/8" Truss Screw

**Other Parts**

- 6 x Jamb Mount



# Step 12: Install Window and Wall Inserts

## Part 1 - Front Wall

**A:** In the places shown in fig. 12.1 and 12.2, on the Front of the assembly install 1 (2655) Upper Window Insert in the upper opening of (2677) Narrow Panel and 1 (2649) Lower Window Insert in (2618) Front Back Panel using 9 (S0) #8 x 7/8" Truss Screws per insert. (fig. 12.1, 12.2 and 12.3)

**B:** In the places shown in fig. 12.1 and 12.2, on the Front of the assembly install 1 (649A) Short Half Wall in the lower opening of (2618) Front Back Panel and 2 MOD 3-Pane Transoms in (2618) Front Back Panel using 4 (S0) #8 x 7/8" Truss Screws per insert. (fig. 12.1, 12.2, 12.4 and 12.5)

Fig. 12.1

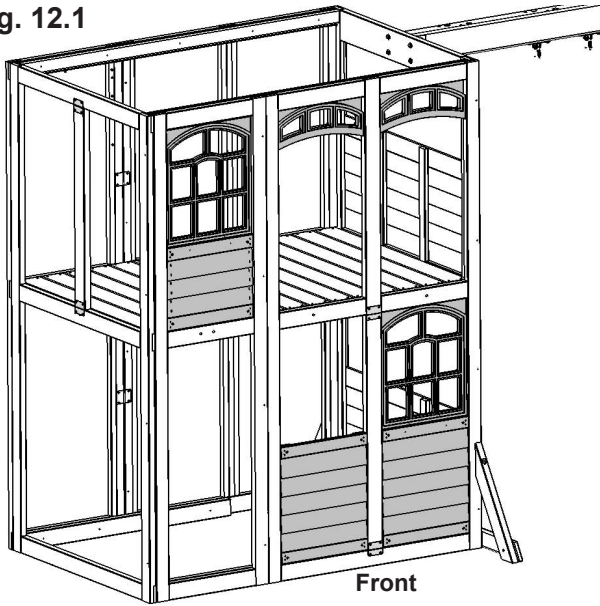


Fig. 12.2  
Outside View

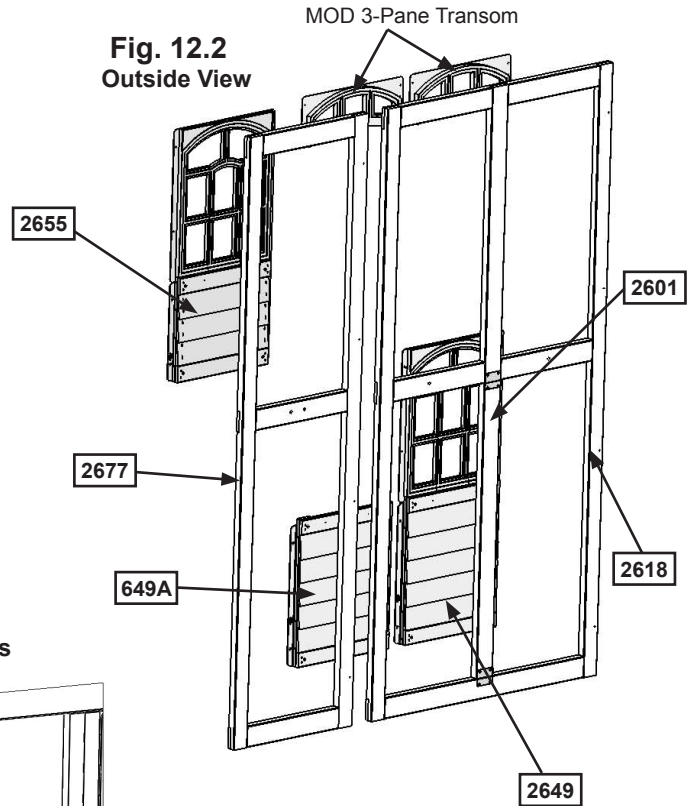


Fig. 12.4  
Inside Views

Fig. 12.3

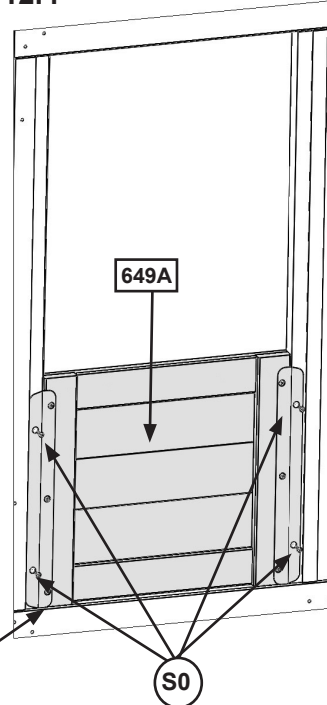
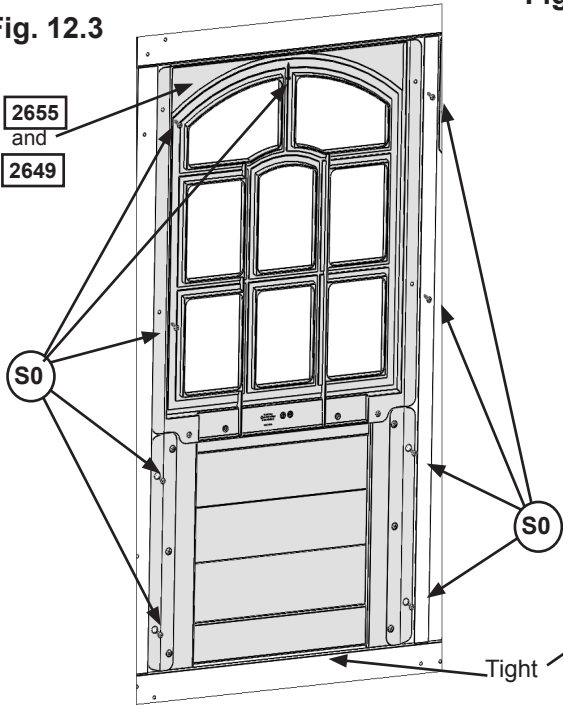
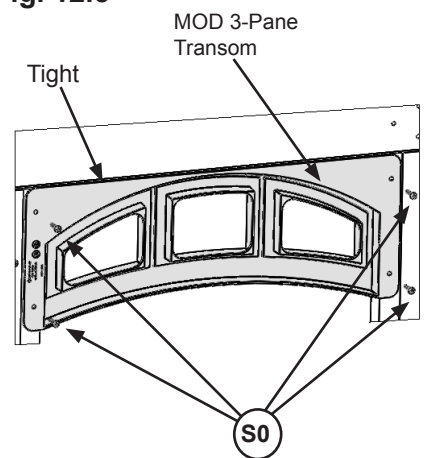


Fig. 12.5



### Wood Parts

- 1 x 2655 Upper Window Insert 1.27 x 18.8 x 35.86"
- 1 x 2649 Lower Window Insert 1.27 x 18.8 x 41.91"
- 1 x 649A Short Half Wall 1.27 x 18.8 x 20-15/16"

### Hardware

- 30 x S0 #8 x 7/8" Truss Screw

### Other Parts

- 2 x MOD 3-Pane Transom

# Step 12: Install Window and Wall Inserts

## Part 2 - Left Side

C: In the places shown in fig. 12.7, on the Left Side of the assembly install 2 (649A) Short Half Walls in the upper openings of (2622) End Panel Assembly and 1 (2665) Half Wall Insert in the lower opening using 4 (S0) #8 x 7/8" Truss Screws per insert. (fig. 12.6, 12.7, 12.8 and 12.9)

Fig. 12.6

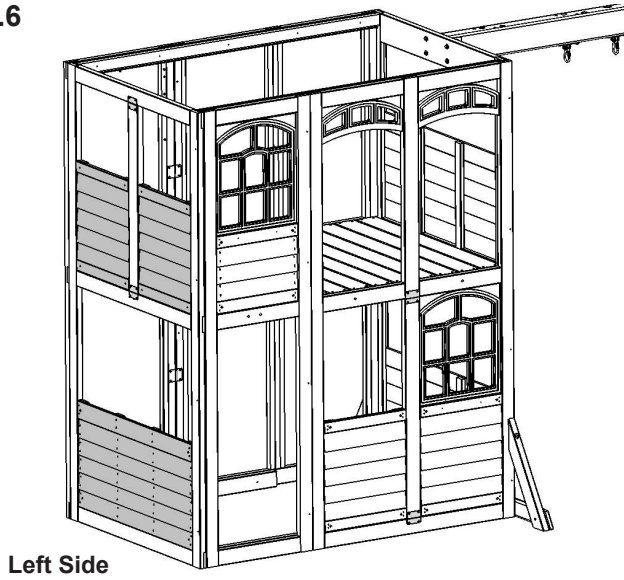


Fig. 12.7  
Outside View

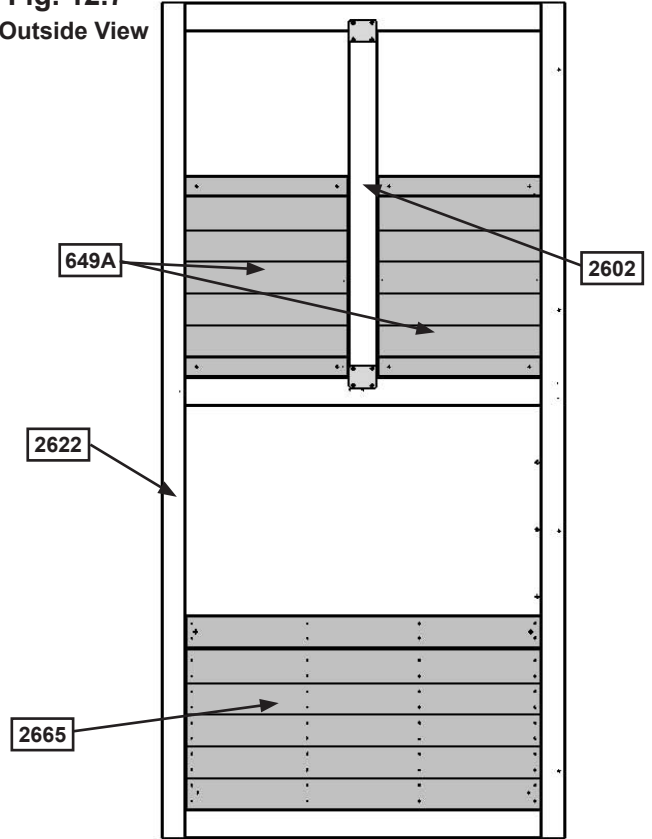


Fig. 12.8  
Inside View

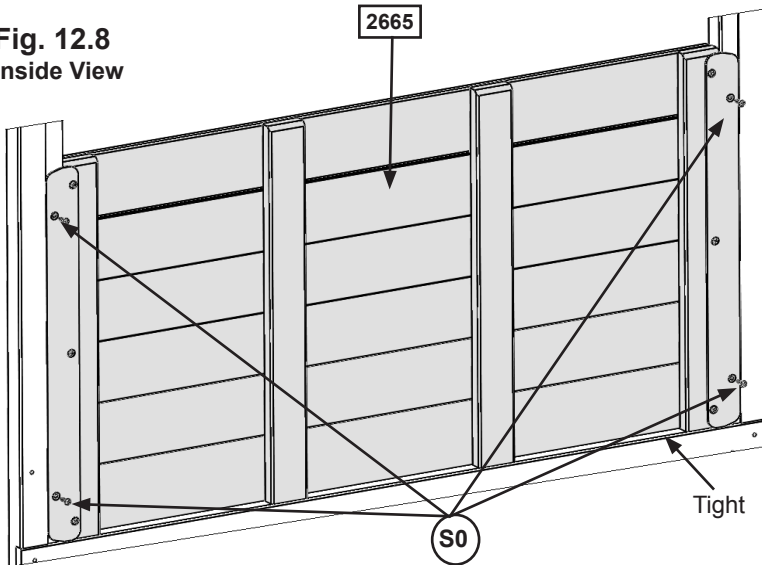
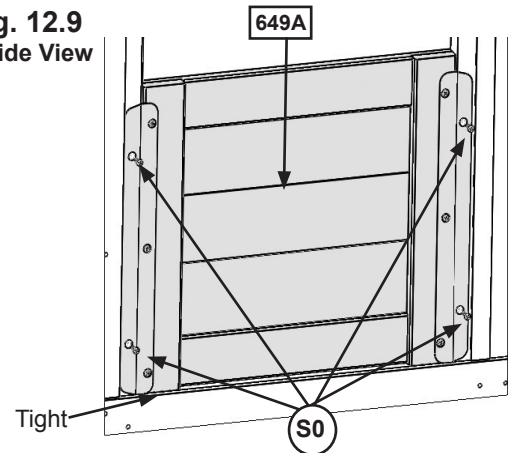


Fig. 12.9  
Inside View



### Wood Parts

- 2 x 649A Short Half Wall 1.27 x 18.8 x 20-15/16"
- 1 x 2665 Half Wall Insert 1.4 x 20-1/4 x 38.8"

### Hardware

- 12 x S0 #8 x 7/8" Truss Screw

# Step 12: Install Window and Wall Inserts

## Part 3 - Back Wall

**D:** In the places shown in fig. 12.10 and 12.11, on the Back of the assembly, install 1 (2655) Upper Window Insert in the upper opening of (2677) Narrow Panel and 2 (2649) Lower Window Inserts the lower openings of (2677) Narrow Panel and (2618) Front Back Panel using 9 (S0) #8 x 7/8" Truss Screws per insert. (fig. 12.10, 12.11 and 12.12)

**E:** In the opening shown in fig. 12.10 and 12.11, on the Back of the assembly, install 1 (649A) Short Half Wall to (2618) Front Back Panel using 4 (S0) #8 x 7/8" Truss Screws. (fig. 12.10, 12.11 and 12.13)

Fig. 12.10

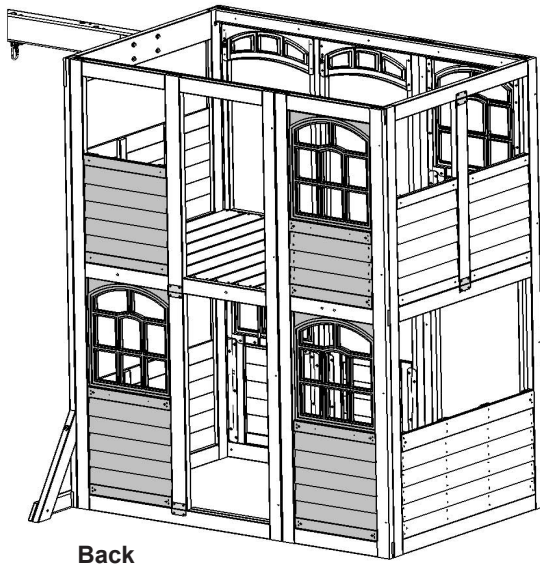


Fig. 12.11  
Outside View

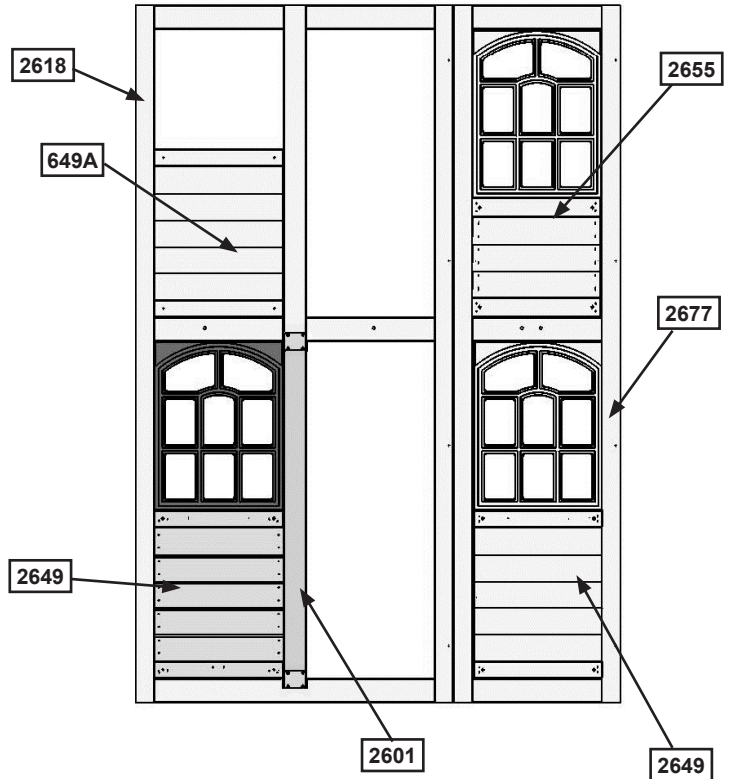


Fig. 12.12  
Inside View

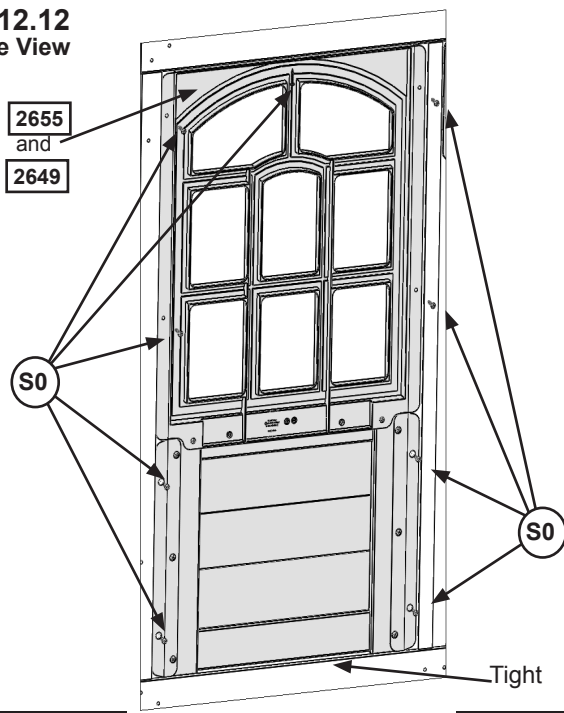
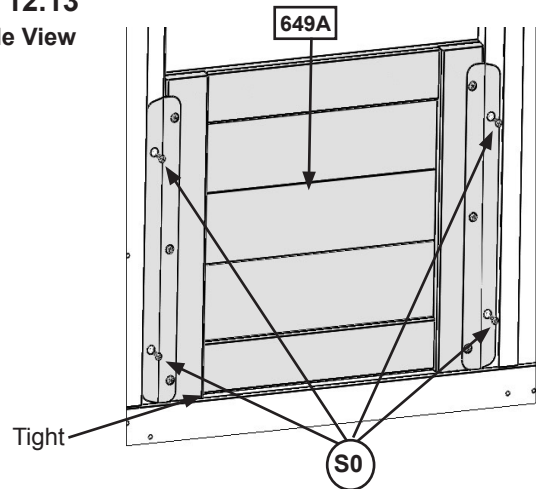


Fig. 12.13  
Inside View



### Wood Parts

- 1 x 2655 Upper Window Insert 1.27 x 18.8 x 35.86"
- 2 x 2649 Lower Window Insert 1.27 x 18.8 x 41.91"
- 1 x 649A Short Half Wall 1.27 x 18.8 x 20-15/16"

### Hardware

- 31 x S0 #8 x 7/8" Truss Screw

# Step 13: Clock Assembly

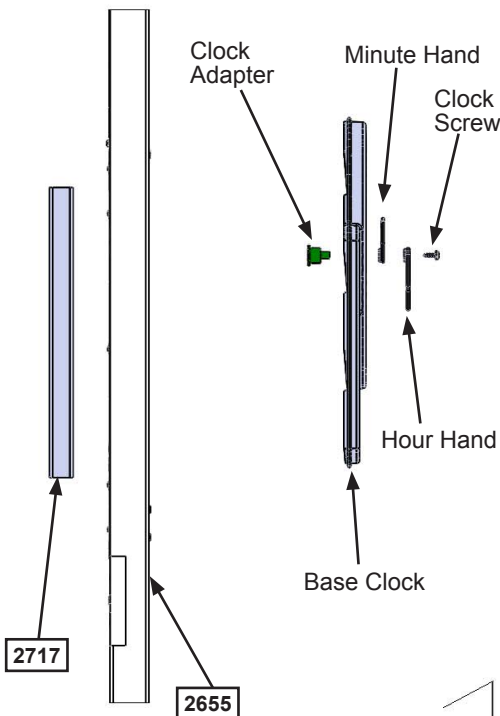


**A:** From the back of the Base Clock insert the Clock Adapter then from the front of the Base Clock place the Hour Hand over the Clock Adapter making sure they line up properly. Press the Minute Hand over the Hour Hand and connect with the Clock Screw. (fig. 13.1)

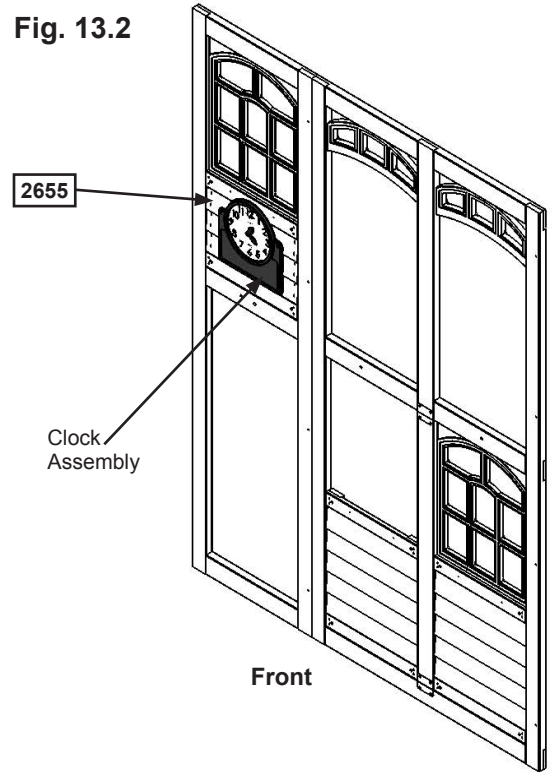
**B:** On the Front of the Assembly place Clock Assembly centred under window of (2655) Upper Window Insert then with a helper attach through insert and into each (2717) Clock Block with 4 (S2) #8 x 1-1/2" Wood Screw, 2 per block. (fig. 13.2, 13.3 and 13.4)

**Do not over tighten screws.**

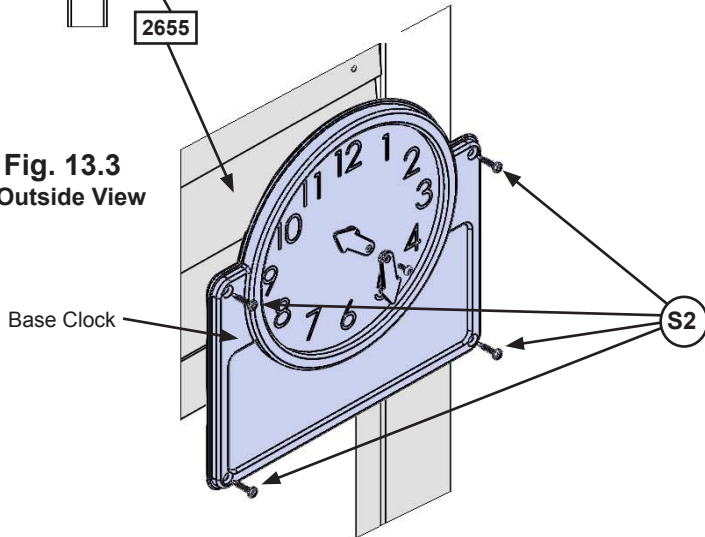
**Fig. 13.1**  
Side View



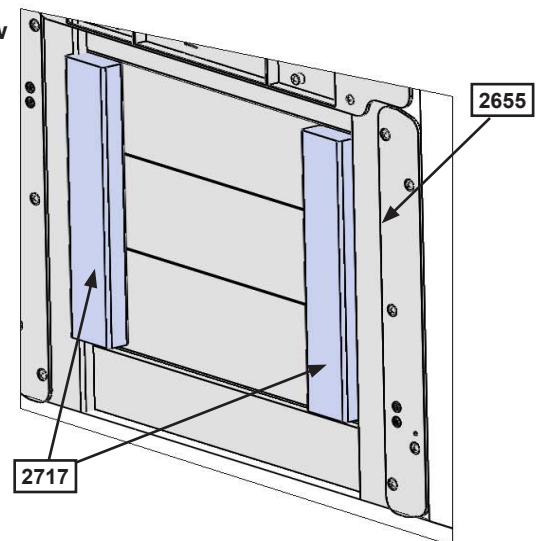
**Fig. 13.2**



**Fig. 13.3**  
Outside View



**Fig. 13.4**  
Inside View



**Wood Parts**

2 x 2717 Clock Block 3/4 x 1-3/4 x 9-3/4"

**Hardware**

4 x S2 #8 x 1-1/2" Wood Screw

**Other Parts**

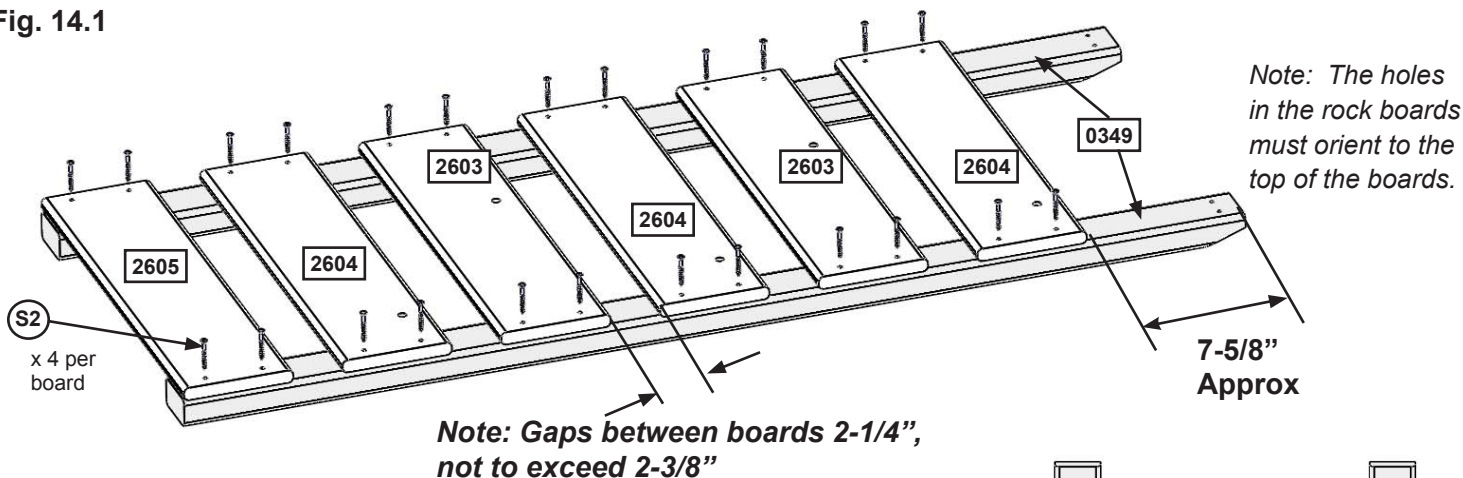
1 x Base Clock  
 1 x Clock Subset  
 1 x Clock Adapter  
 1 x Hour Hand  
 1 x Minute Hand  
 1 x Clock Screw



# Step 14: Rock Wall Assembly



Fig. 14.1



Note: The holes in the rock boards must orient to the top of the boards.

Note: Gaps between boards 2-1/4", not to exceed 2-3/8"

**A:** Lay 2 (0349) Rock Rails down, side by side with angled edges facing down. (fig. 14.1)

**B:** Place (2605) Access Board on the bottom of each (0349) Rock Rail as shown in fig. 14.1. Make sure (2605) Access Board is flush to the outside and bottom edges of each (0349). Attach using 4 (S2) #8 x 1-1/2" Wood Screws.

**C:** 7-5/8" down from the top of both (0349) Rock Rails place 1 (2604) Rock Board B, making sure the sides are flush to the outside edges of each (0349) Rock Rail. Attach using 4 (S2) #8 x 1-1/2" Wood Screws. (fig. 14.1)

**D:** In between the (2605) Access Board and (2604) Rock Board B stagger 2 (2604) Rock Board Bs and 2 (2603) Rock Board As using 4 (S2) #8 x 1-1/2" Wood Screws per board. Placing them as shown in fig. 14.1, this will prevent rocks from forming a straight line. Make sure the boards are evenly spaced and do not exceed 2-3/8" between boards.

Fig. 14.2

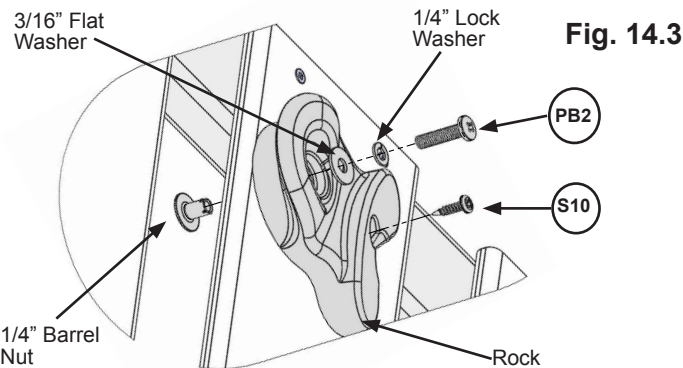
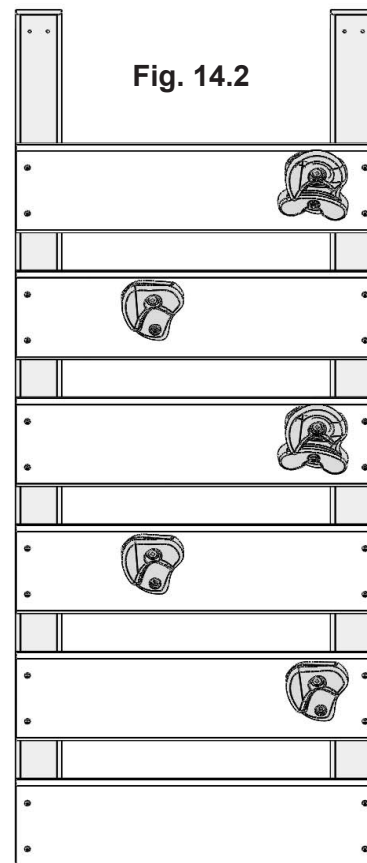


Fig. 14.3

**E:** Place 1 rock on each (2603) Rock Board A and (2604) Rock Board B (fig. 14.2) and attach using 1 (PB2) 1/4 x 1-1/4" Pan Bolt (with lock washer, flat washer and barrel nut) and 1 (S10) #8 x 1" Pan Screw per rock. The Screw must be in the hole directly under the Pan Bolt, it will stop the rock from spinning. (fig. 14.3)

**Wood Parts**

- 1 x 2605 Access Board 1 x 6 x 19-3/4"
- 3 x 2604 Rock Board B 1 x 6 x 19-3/4"
- 2 x 2603 Rock Board A 1 x 6 x 19-3/4"
- 2 x 0349 Rock Rail 2 x 3 x 51"

**Hardware**

- 24 x S2 #8 x 1-1/2" Wood Screw
- 5 x S10 #8 x 1" Pan Screw
- 5 x PB2 1/4 x 1-1/4 Pan Bolt (1/4" lock washer, 3/16" flat washer & 1/4" barrel nut)

**Other Parts**

- 5 x Rocks (3 green/2 yellow)

# Step 15: Attach Rock Wall Assembly to Fort

## Part 1

**A:** On the Front of the assembly place Rock Wall Assembly centred in (2618) Front Back Panel opening and flush as shown in fig. 15.1. Attach (0349) Rock Rails to the panel using 4 (S11) #8 x 2" Wood Screws. (fig. 15.2 and 15.3)

**B:** Attach 1 (2605) Access Board to top of Rock Wall Assembly, flush to top of (0349) Rock Rail using 4 (S2) #8 x 1-1/2" Wood Screws. (fig. 15.4)

Fig. 15.1

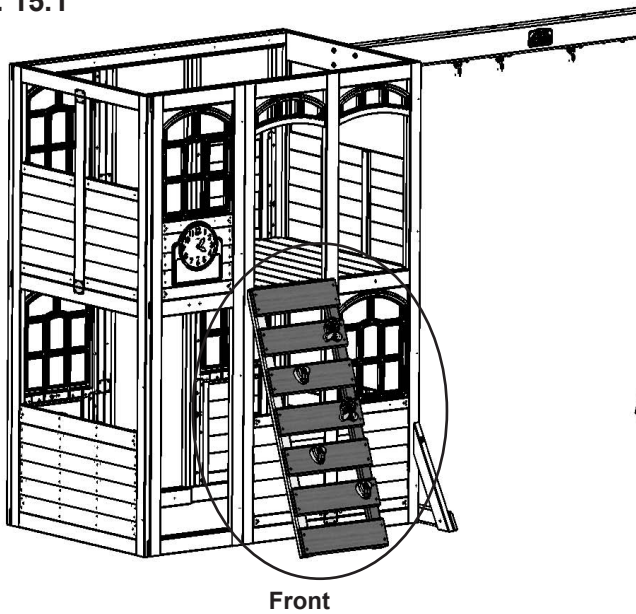


Fig. 15.2

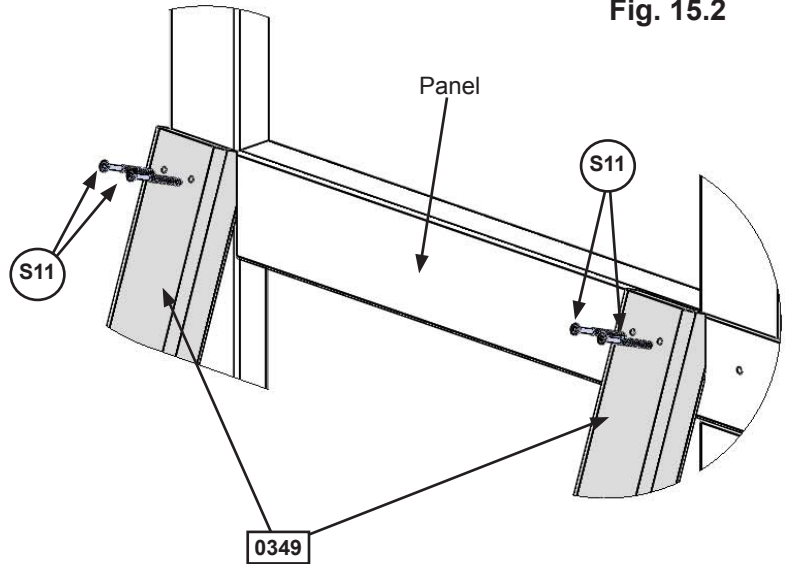


Fig. 15.2

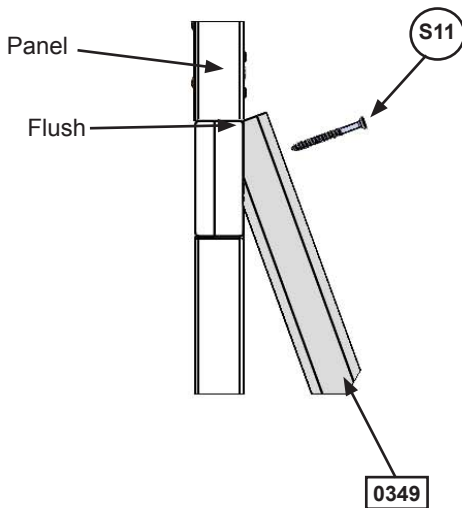
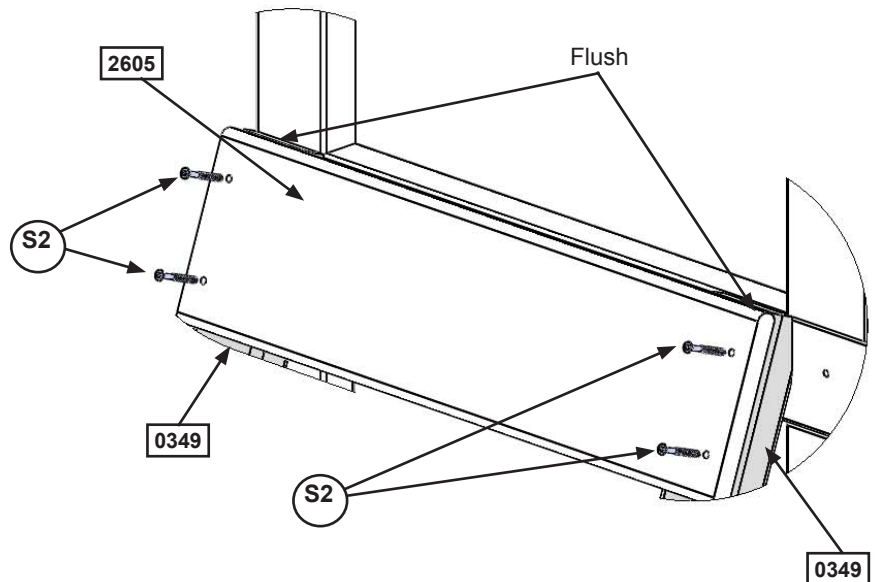


Fig. 15.4



### Wood Parts

1 x [2605] Access Board 1 x 6 x 19-3/4"

### Hardware

4 x (S2) #8 x 1-1/2" Wood Screw

4 x (S11) #8 x 2" Wood Screw



# Step 15: Attach Rock Wall Assembly to Fort

## Part 2

**C:** Drive 1 Rebar Ground Stake 13" into the ground against outside (0349) Rock Rail then attach with 1 (S7) #12 x 2" Pan Screw. Be careful not to hit the washer while hammering stake into the ground as this could cause the washer to break off. (fig. 15.5 and 15.6)

**D:** After driving stake into the ground, check for sharp edges caused by the impact of the hammer. Smooth any sharp edges from impact area and touch up with outdoor paint.

**⚠Warning!** To prevent tipping and avoid potential injury, stakes must be driven 13" into ground. Digging or driving stakes can be dangerous if you do not check first for under-ground wiring, cables or gas lines.

Fig. 15.5

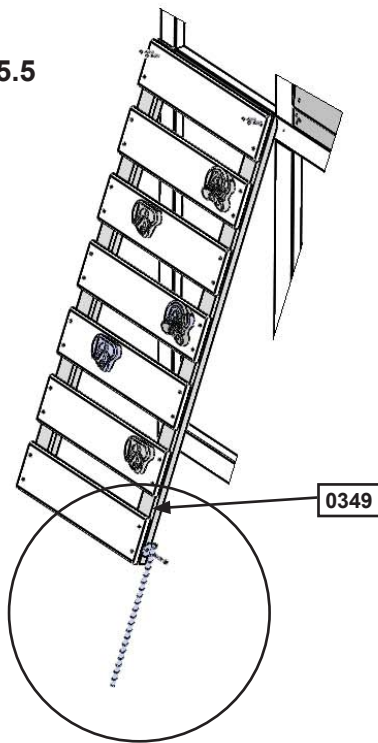
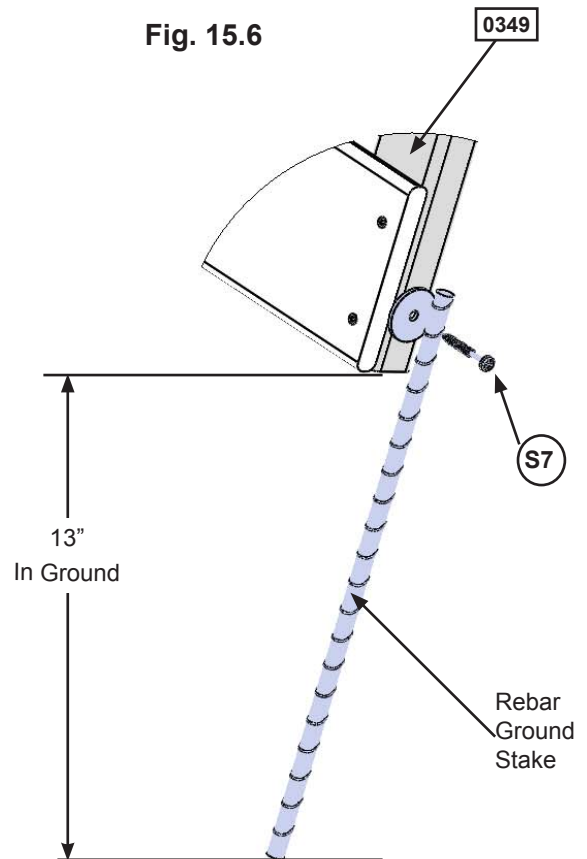


Fig. 15.6



### Hardware

1 x (S7) #12 x 2" Pan Screw

### Other Parts

1 x Rebar Ground Stake

# Step 16: Cafe Table Assembly

**A:** Place (2612) Table Support flush to the notched out ends of (2611) Table Top and attach with 4 (S7) #12 x 2" Pan Screws as shown in fig. 16.1.

**B:** Place Table Top Assembly tight in the opening of (2622) End Panel Assembly tight to top of (2665) Half Wall Insert then attach (2612) Table Support to the panel with 2 (S3) #8 x 2-1/2" Wood Screws. (fig. 16.2 and 16.3)

Fig. 16.1

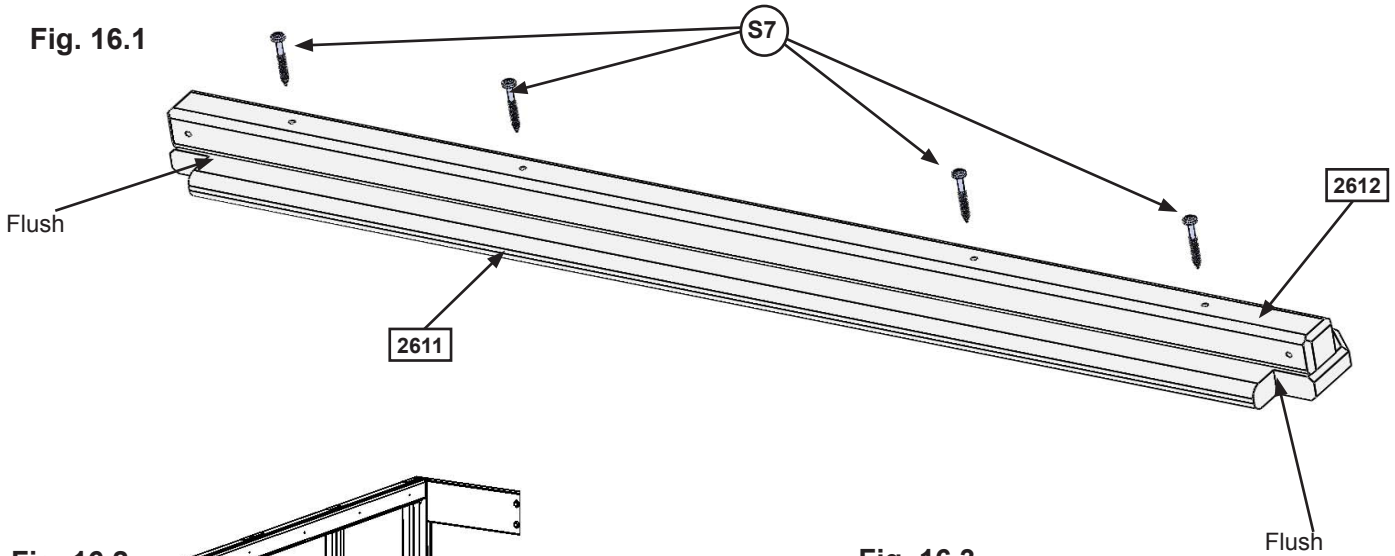


Fig. 16.2

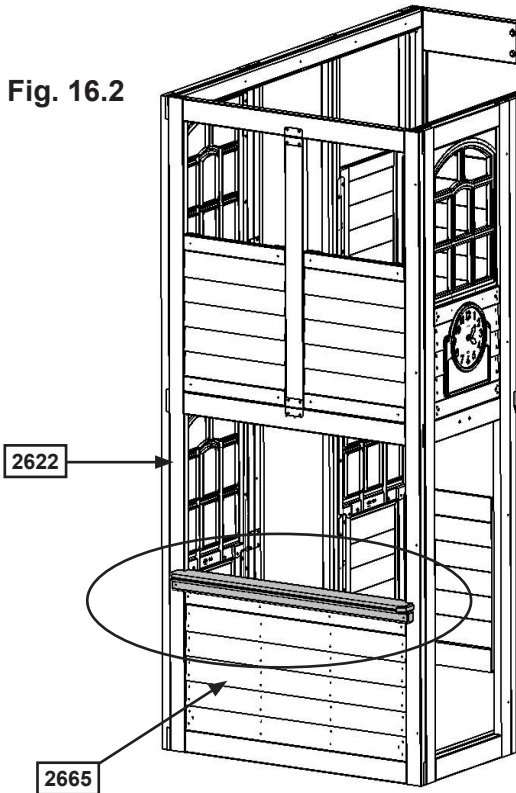
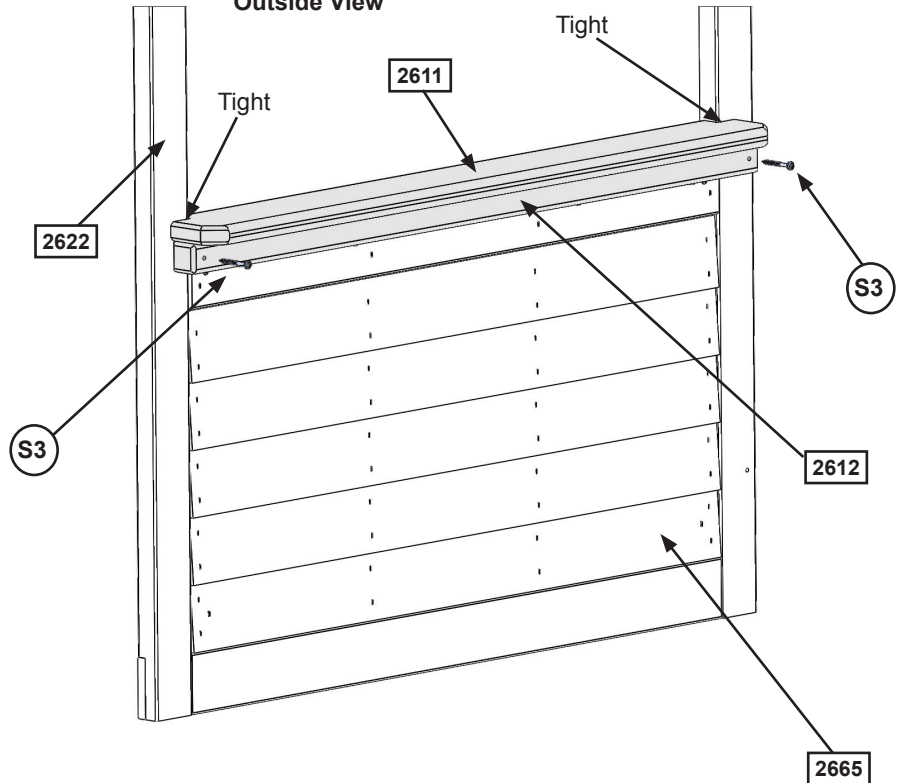


Fig. 16.3  
Outside View



## Wood Parts

- 1 x 2612 Table Support 2 x 2 x 39-5/8"
- 1 x 2611 Table Top 5/4 x 5 x 39-5/8"

## Hardware

- 4 x S7 #12 x 2" Pan Screw
- 2 x S3 #8 x 2-1/2" Wood Screw

# Step 17: Attach Cafe Canopy to Fort



**A:** Feed Cafe Canopy Frame through the pocket of the Cafe Canopy. (fig. 17.1)

**B:** With a helper hold the Canopy against the fort, centred on (2622) End Panel Assembly (fig. 17.2), make sure the Cafe Canopy is smooth and tight then attach to the panel with 1 (S5) #8 x 1/2" Pan Screw (with #8 flat washer), measure 1-1/2" down from the first screw then attach a second screw and washer. Follow measurements as shown in fig. 17.3 for remaining screws and washers. Measurements must be exact.

**C:** Hold the Cafe Canopy Frame against the panel and attach with 1 (S6) #12 x 1" Pan Screw per side. (fig. 17.3)

Fig. 17.1

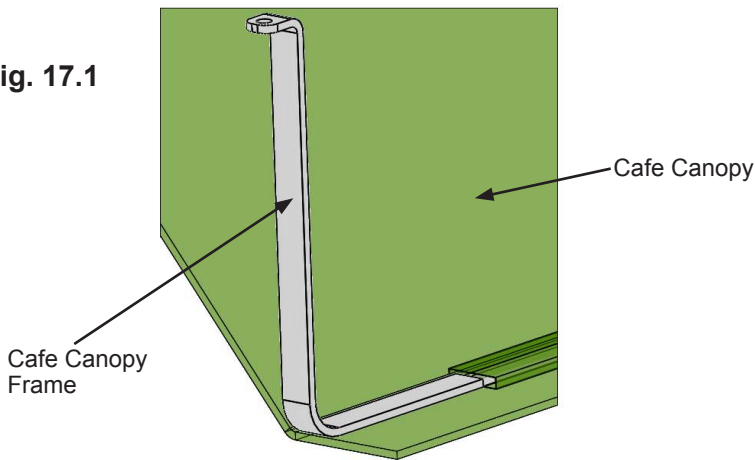


Fig. 17.2

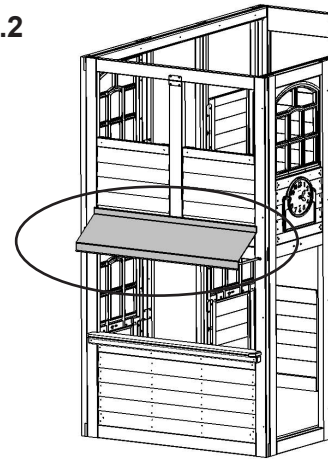
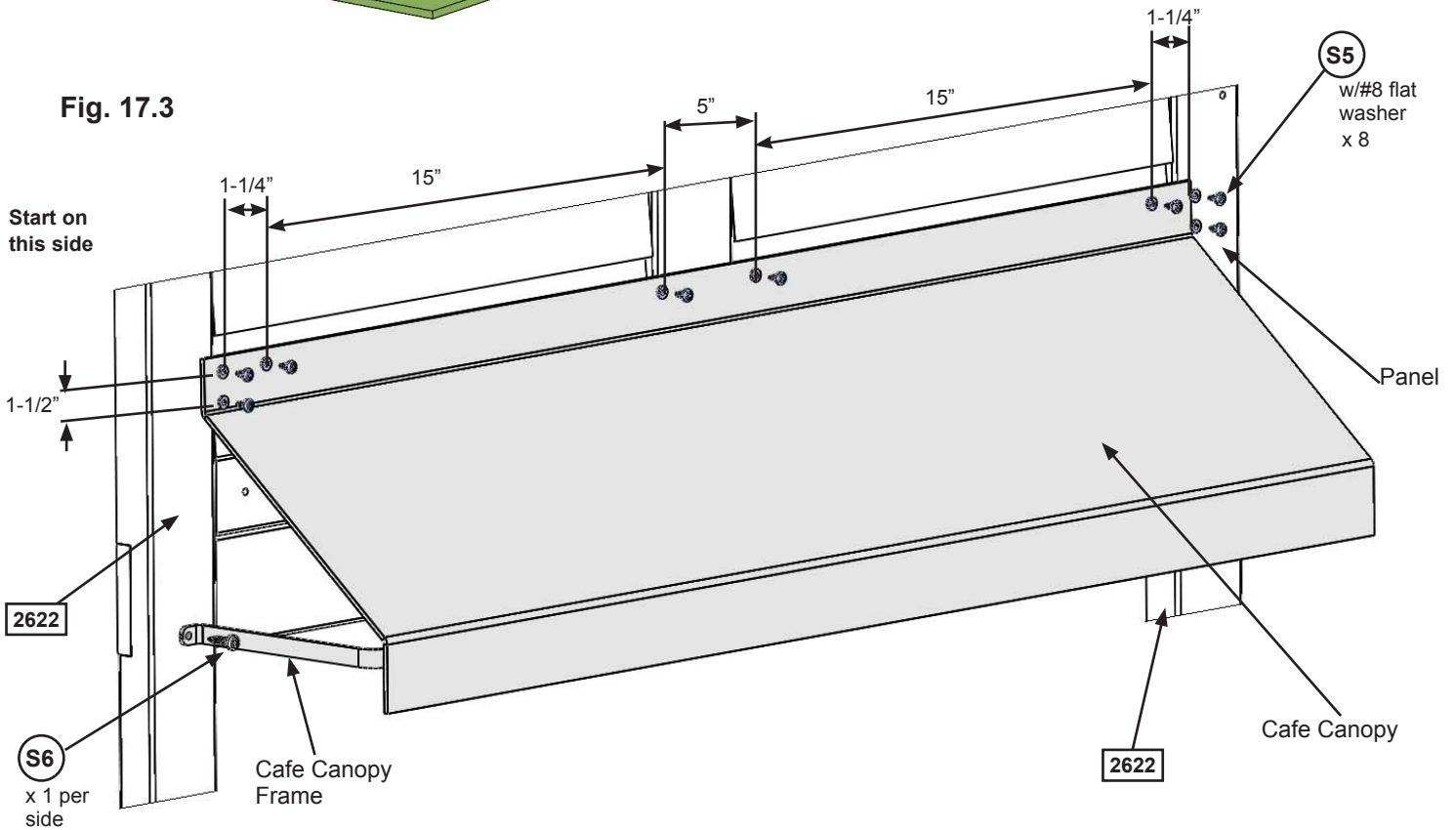


Fig. 17.3



### Hardware

- 8 x S5 #8 x 1/2" Pan Screw (#8 flat washer)
- 2 x S6 #12 x 1" Pan Screw

### Other Parts

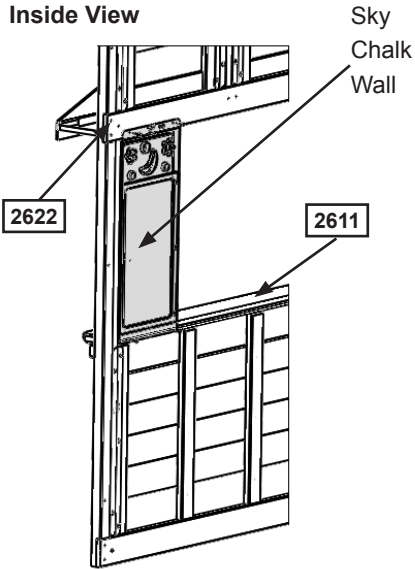
- 1 x Cafe Canopy Frame
- 1 x Cafe Canopy

# Step 18: Attach Sky Chalk Wall to Fort

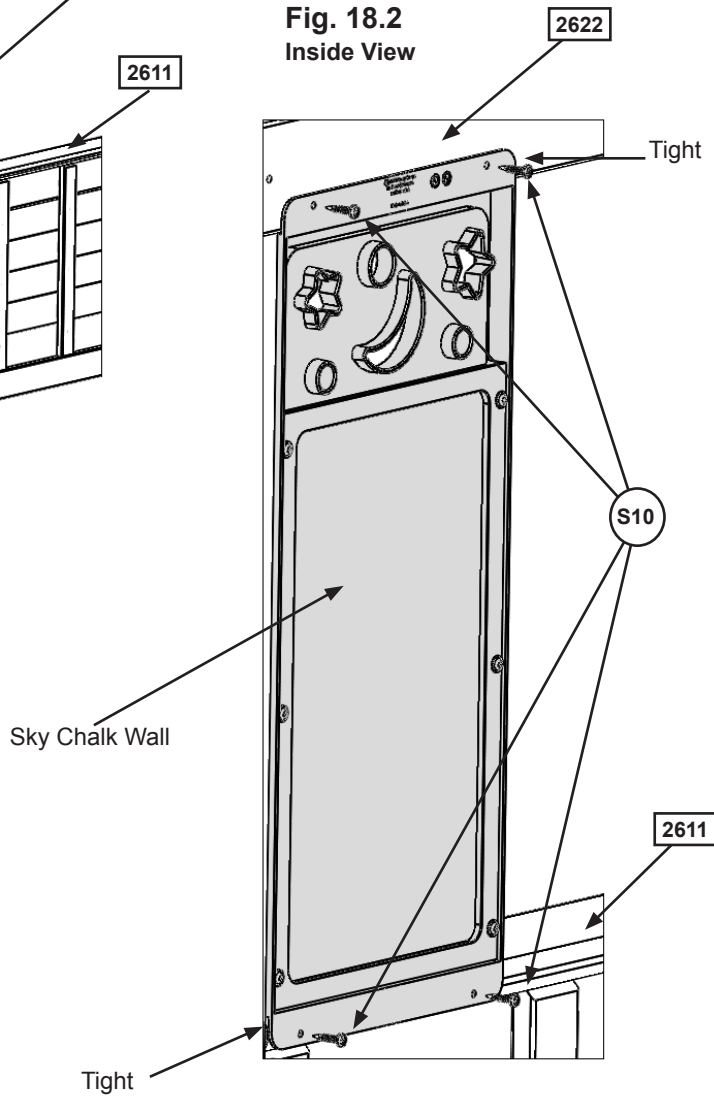
**A:** From inside the assembly place Sky Chalk Wall tight to (2611) Table Top and (2622) End Panel Assembly then attach with 4 (S10) #8 x 1" Pan Screws from the inside and 1 (S10) #8 x 1" Pan Screw from the outside. (fig. 18.1, 18.2, 18.3 and 18.4)

**Fig. 18.1**

Inside View

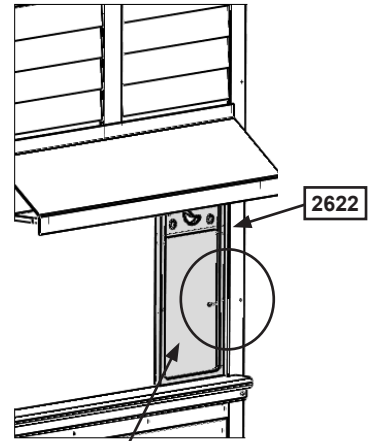


**Fig. 18.2**  
Inside View



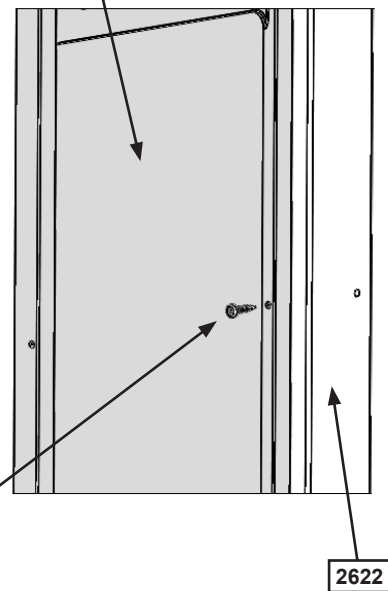
**Fig. 18.3**

Outside View



Sky Chalk Wall

**Fig. 18.4**  
Outside View



**Hardware**

5 x (S10) #8 x 1" Pan Screw

**Other Parts**

1 x Sky Chalk Wall

# Step 19: Attach Slide to Fort



**A:** Place Slide in the centre of the (2618) Front Back Panel opening at the front of the fort, pre-drill with a 1/8" drill bit then attach slide to fort through the panel using 3 (S7) #12 x 2" Pan Screws. (fig. 19.1, 19.2 and 19.3)

Fig. 19.1

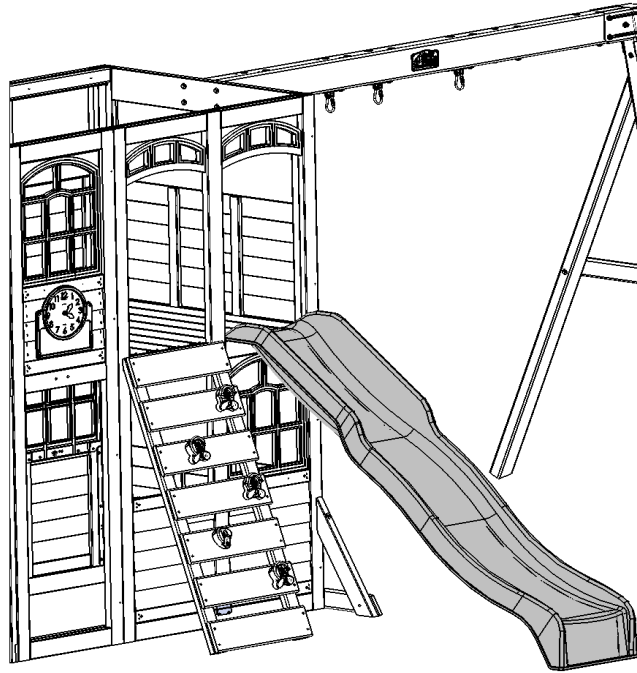


Fig. 19.2

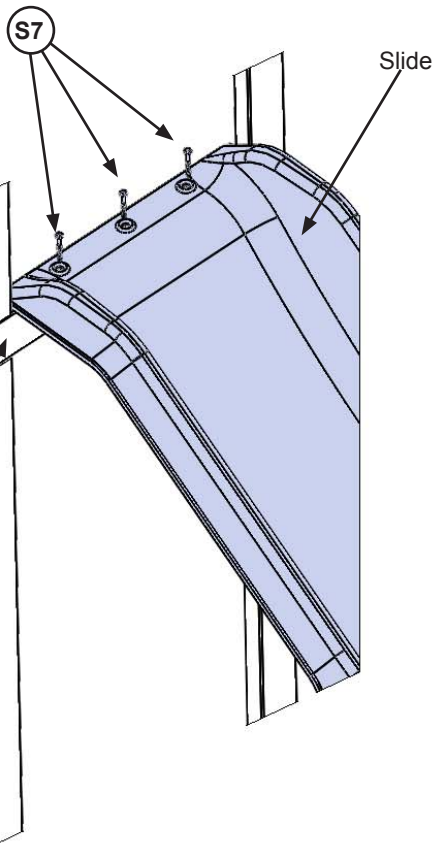
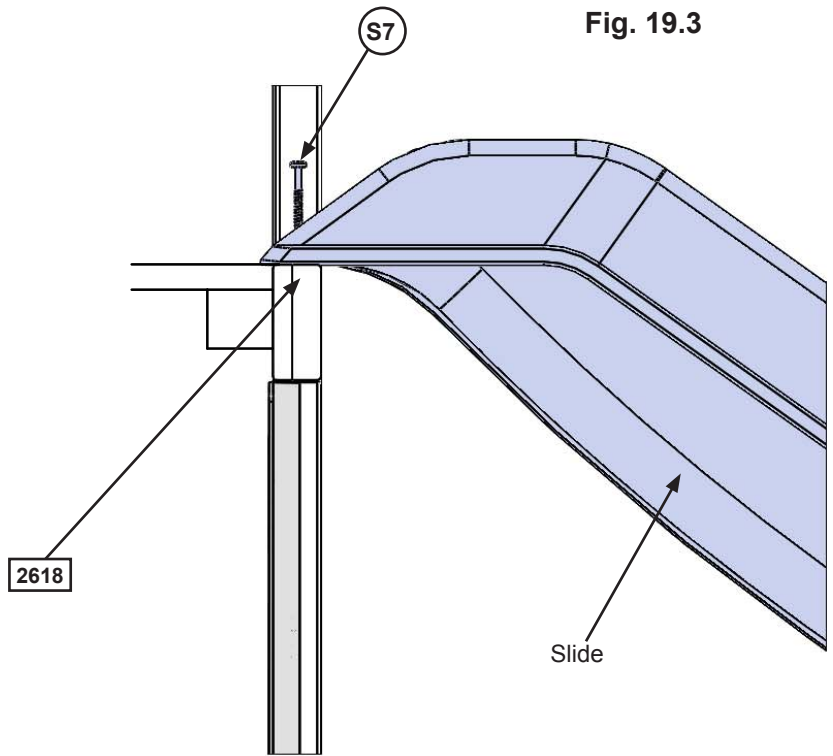


Fig. 19.3



### Hardware

3 x (S7) #12 x 2" Pan Screw

### Other Parts

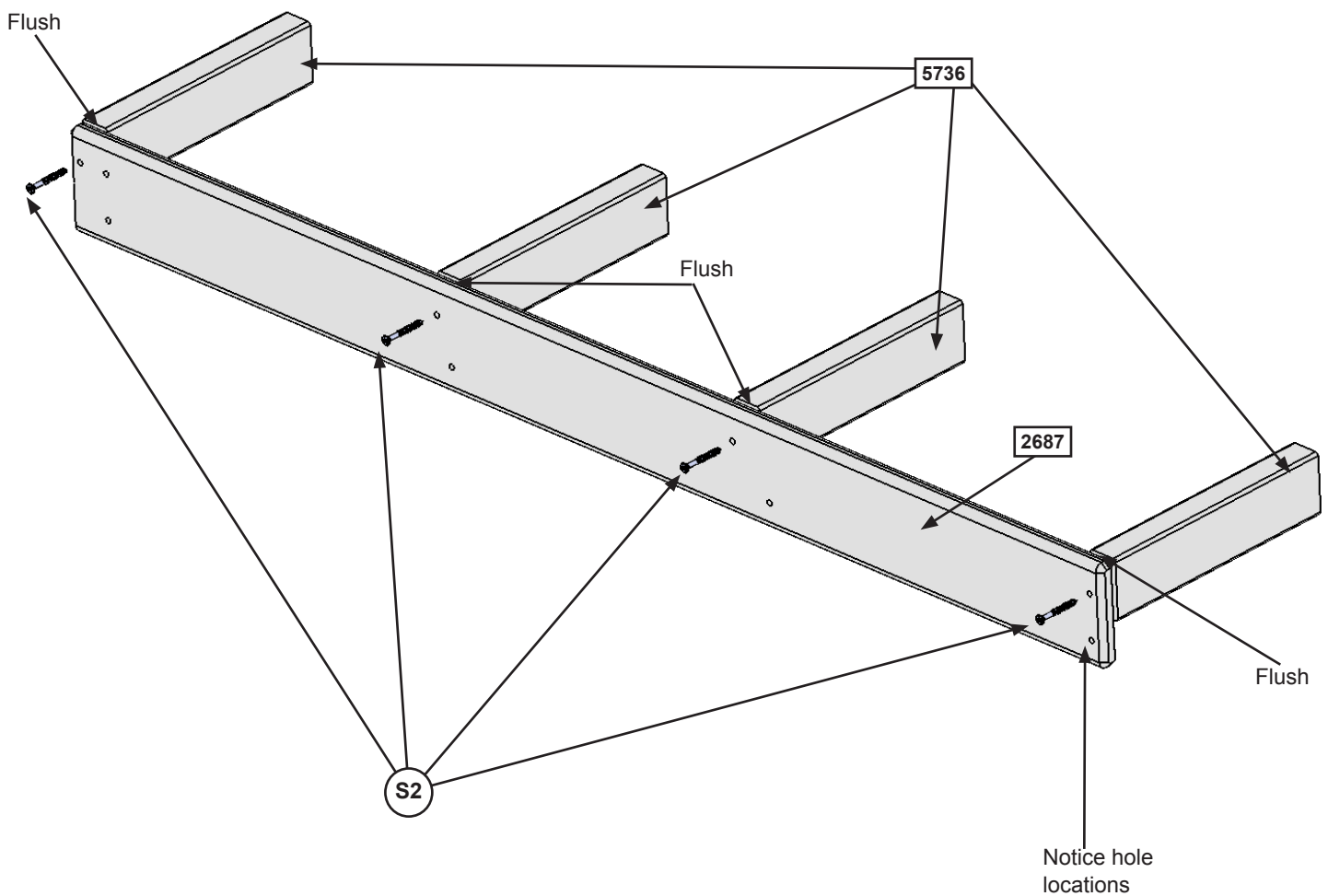
1 x Slide  
(sold separately -  
A24912)

# Step 20: Counter Assembly Part 1

**A:** Flush to each end and to the top of (2687) Counter Back attach 1 (5736) Counter Joist per end with 1 (S2) #8 x 1-1/2" Wood Screw per joist. Notice the remaining holes at the bottom of (2687) Counter Back. (fig. 20.1)

**B:** Place the remaining 2 (5736) Counter Joists centred over the pilot holes in the middle of (2687) Counter Back and flush to the top of the board, then attach, in the top holes, with 1 (S2) #8 x 1-1/2" Wood Screw per joist. (fig. 20.1)

Fig. 20.1



### Wood Parts

- 1 x 2687 Counter Back 1 x 4 x 40-5/8"
- 4 x 5736 Counter Joist 1 x 2 x 8-1/4"

### Hardware

- 4 x S2 #8 x 1-1/2" Wood Screw



# Step 20: Counter Assembly Part 2

C: On the inside of (2627) SW Wall Panel place Counter Assembly so the top of (2687) Counter Back is flush to the top of the opening then attach with 5 (S2) #8 x 1-1/2" Wood Screws. (fig. 20.2 and 20.3)

Fig. 20.2  
Outside View

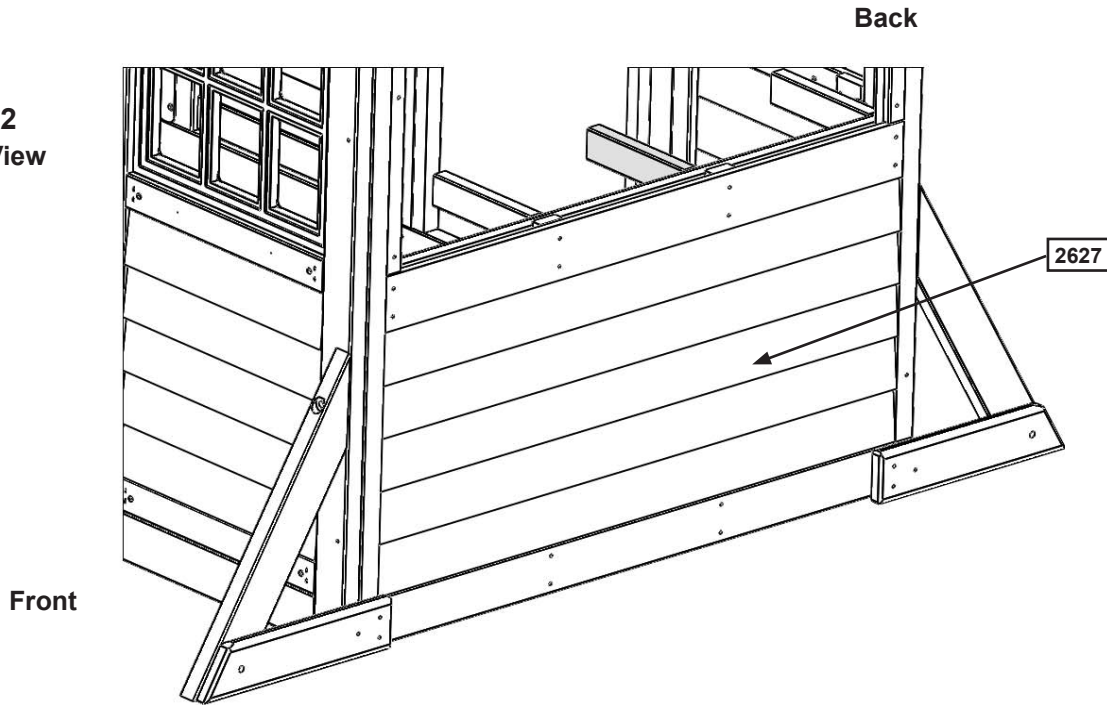
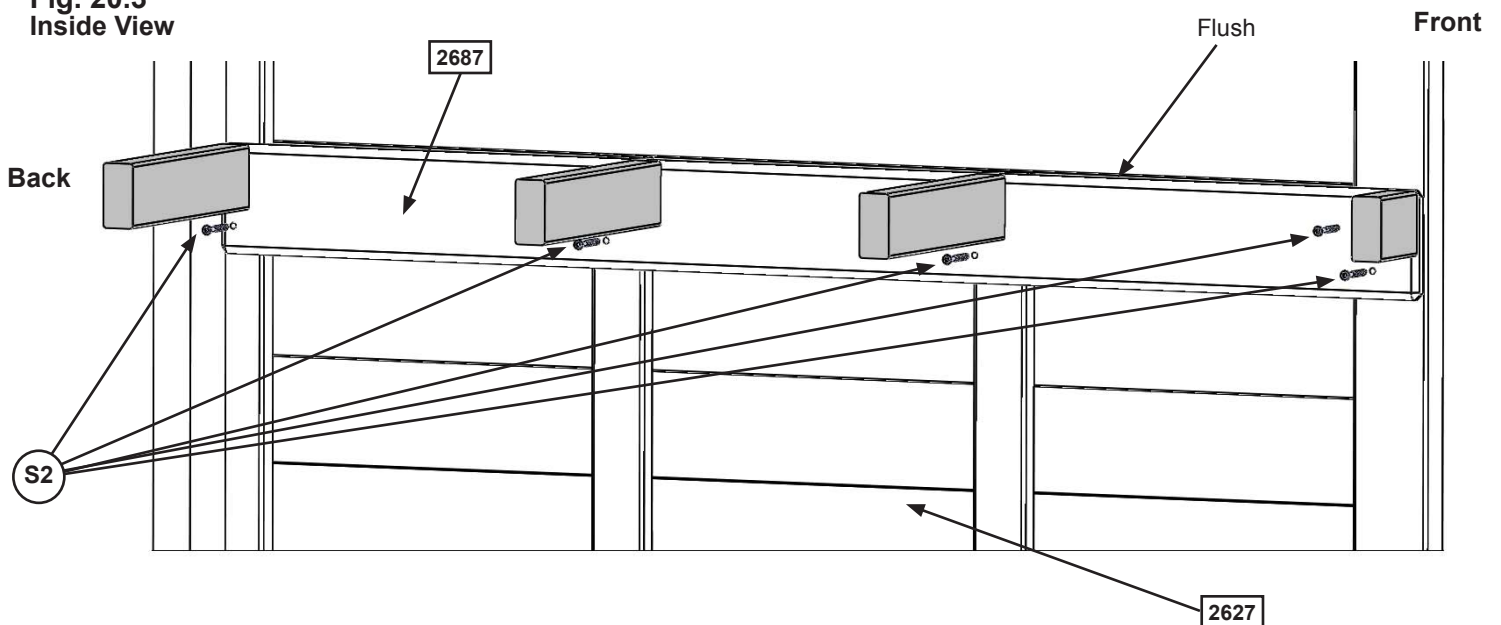


Fig. 20.3  
Inside View



## Hardware

5 x (S2) #8 x 1-1/2" Wood Screw

# Step 20: Counter Assembly

## Part 3

D: Place 1 (6136) Counter Brace flush to the front and outside edge of each outer (5736) Counter Joist and tight to (2627) SW Wall Panel then attach with 2 (S3) #8 x 2-1/2" Wood Screws per brace. (fig. 20.4 and 20.5)

Fig. 20.4

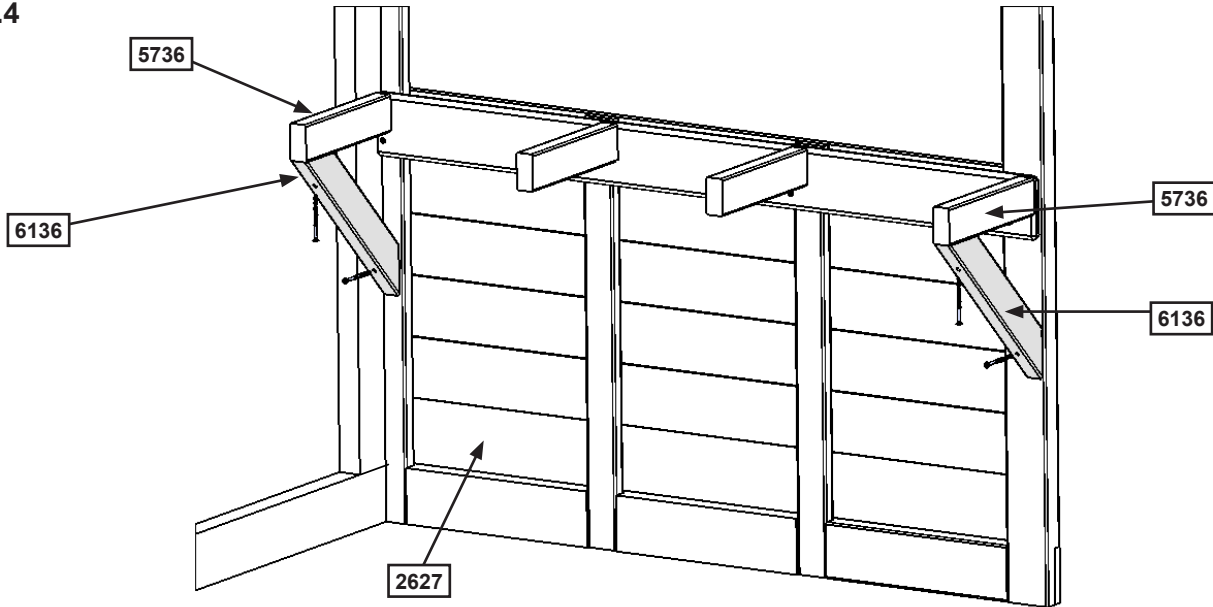
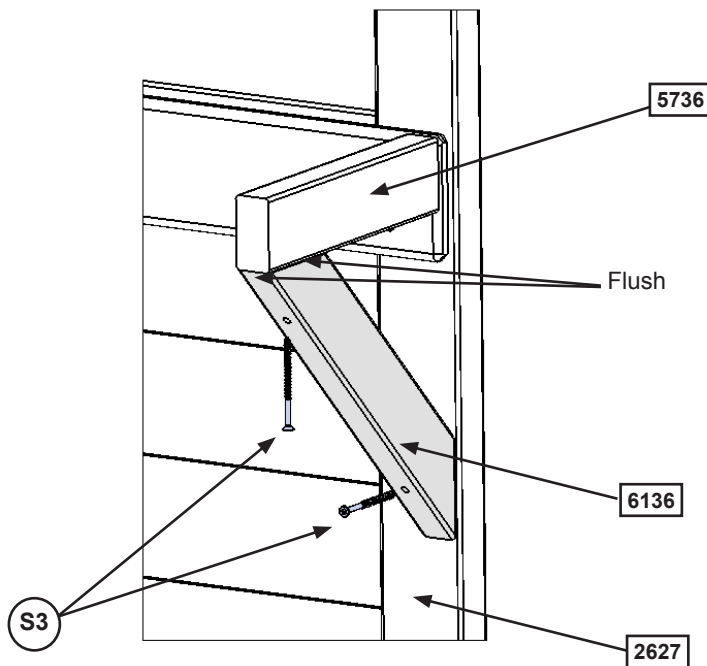


Fig. 20.5



### Wood Parts

2 x **6136** Counter Brace 1 x 2 x 12-9/16"

### Hardware

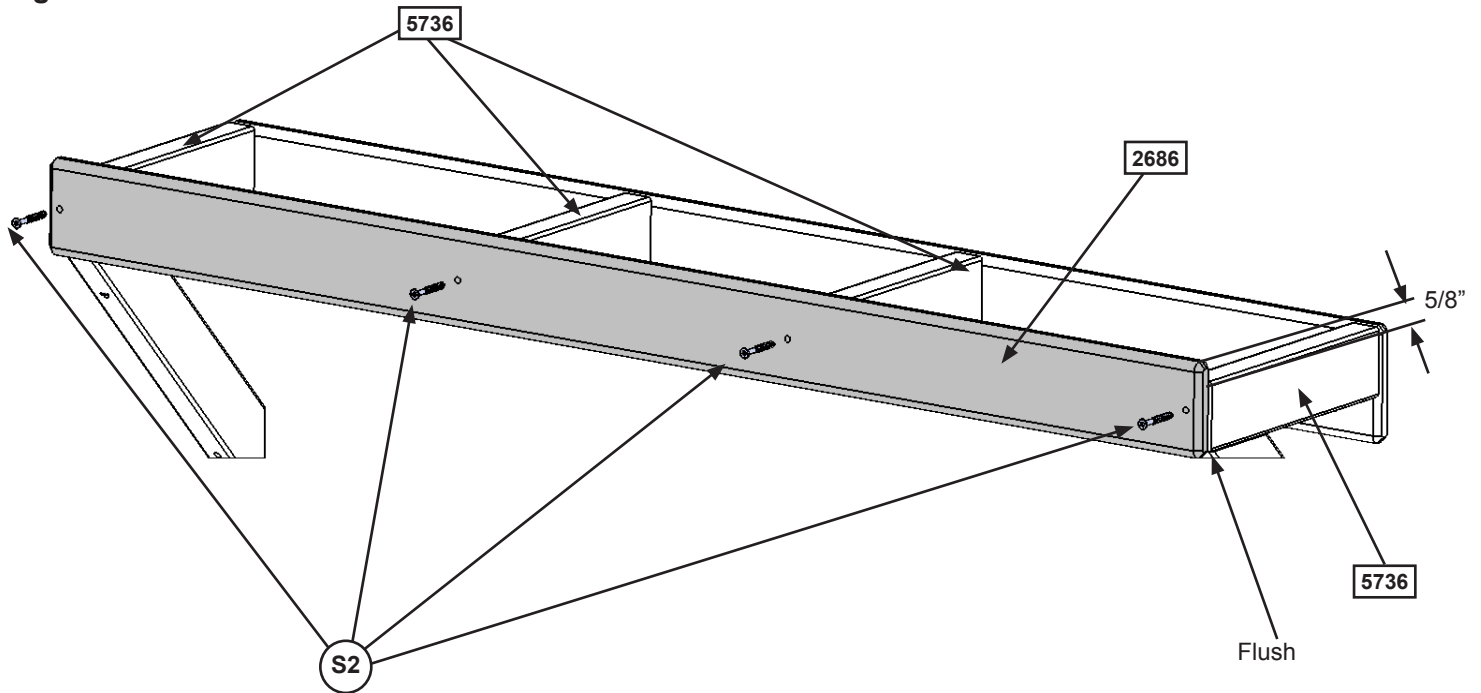
4 x **S3** #8 x 2-1/2" Wood Screw

# Step 20: Counter Assembly Part 4



E: Place (2686) Counter Front against (5736) Counter Joists so the ends are flush and the centre (5736) Counter Joists are centred over the pilot holes. Measure 5/8" down from the top of (2686) Counter Front on both ends and attach to the (5736) Counter Joists with 4 (S2) #8 X 1-1/2" Wood Screws. (fig. 20.6)

Fig. 20.6



### Wood Parts

1 x **2686** Counter Front 5/8 x 2-3/4 x 40-5/8"

### Hardware

4 x **S2** #8 x 1-1/2" Wood Screw

# Step 20: Counter Assembly

## Part 5

**F:** Tight to (2687) Counter Back attach (2685) Counter Top to each (5736) Counter Joist with 4 (TS) #6 x 30 mm Trim Screws. (fig. 20.7)

**G:** Tight to (2685) Counter Top and flush to the outside edges of the outer (5736) Counter Joists attach 1 (5536) Counter Side per joist with 3 (TS) #6 x 30 mm Trim Screws per board. (fig. 20.7)

**H:** Tight to (2685) Counter Top and centred over the middle 2 (5736) Counter Joists with ends flush to the outside edges attach 2 (2716) Counter Mid Tops with 4 (TS) #6 x 30 mm Trim Screws per board. (fig. 20.7)

**I:** Attach (2685) Counter Top to (2627) SW Wall Panel with 2 (TS) #6 x 30 mm Trim Screws per board. (fig. 20.8)

Fig. 20.7

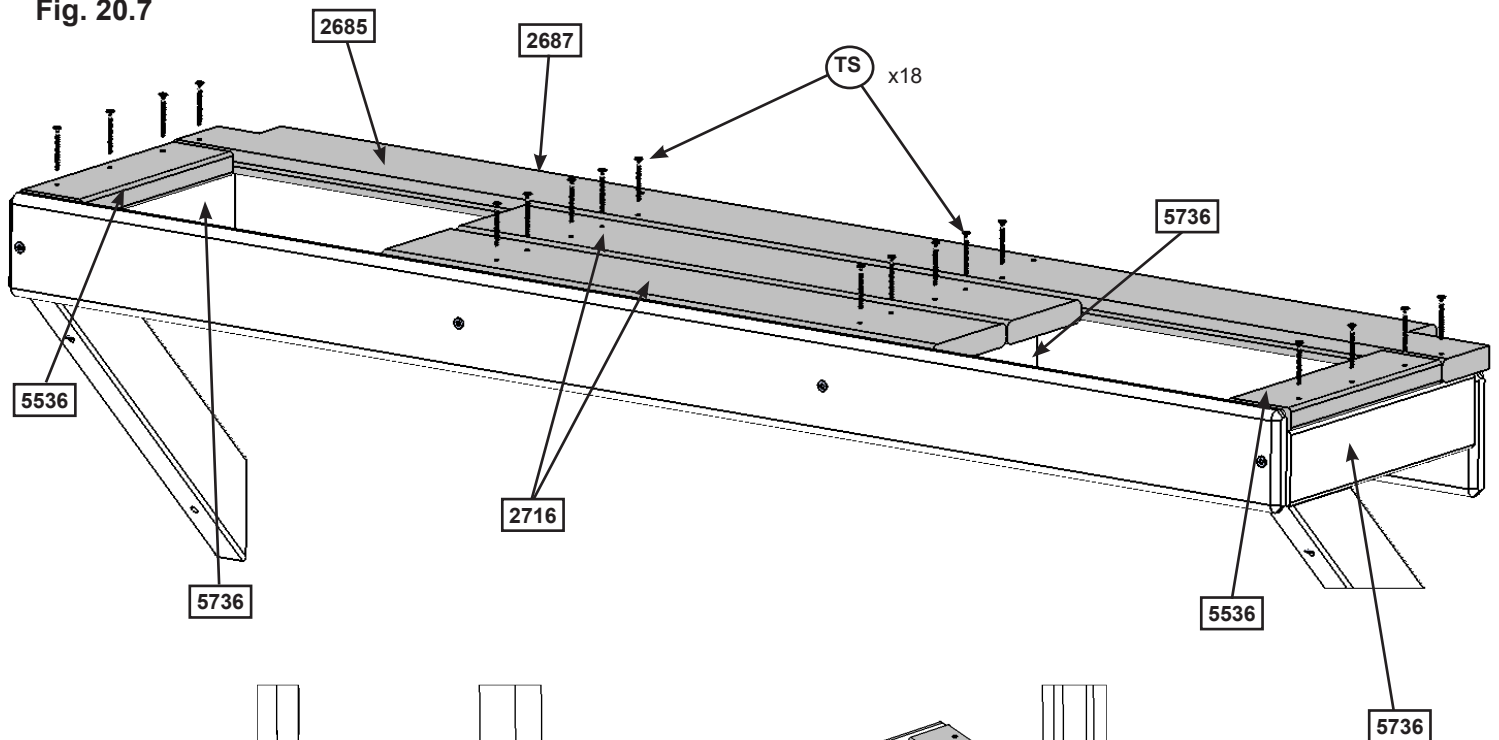
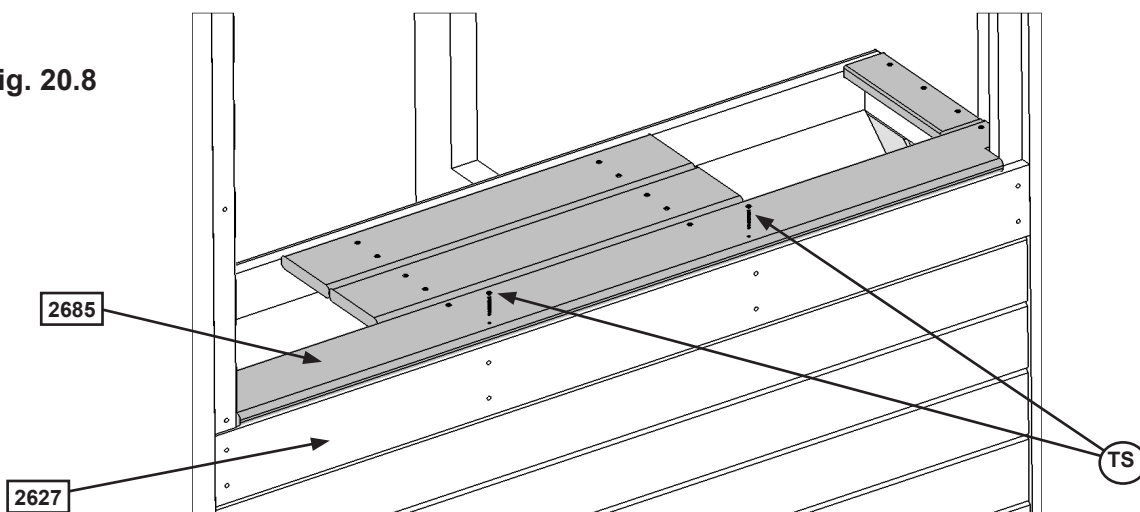


Fig. 20.8



### Wood Parts

- 2 x 2716 Counter Mid Top 1 x 4 x 17-5/8"
- 1 x 2685 Counter Top 1 x 4 x 40-5/8"
- 2 x 5536 Counter Side 5/8 x 2 x 6-3/4"

### Hardware

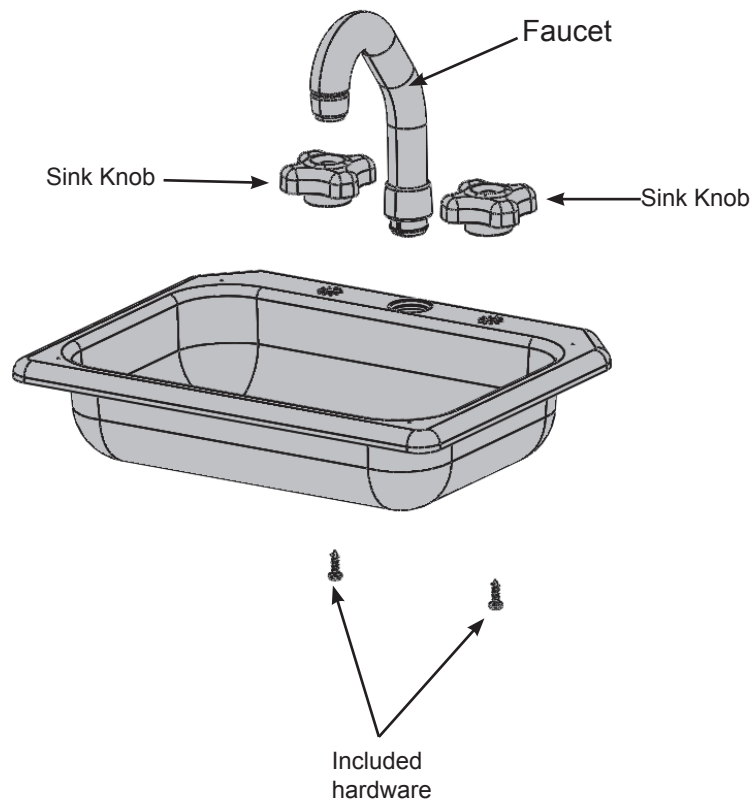
- 20 x TS #6 x 30 mm Trim Screw

## Step 20: Counter Assembly Part 6

J: Place Faucet and 2 Sink Knobs in opening of Sink and attach Sink Knobs with included hardware. (fig. 20.9)

**Important: Use a hand held screw driver and DO NOT over tighten.**

Fig. 20.9



### Other Parts

1 x Sink  
2 x Sink Knobs  
1 x Faucet



# Step 20: Counter Assembly Part 7

**K:** Place Sink and Stove in the openings of the Counter Assembly then attach 4 Mount Clips with included hardware to the bottom of the Sink and Stove to secure in place. (fig. 20.10 and 20.11)

**Important:** Use a hand held screw driver and **DO NOT** over tighten.

Note: To remove the Sink or Stove loosen screw 1/4 turn then twist Mount Clips.

Fig. 20.10

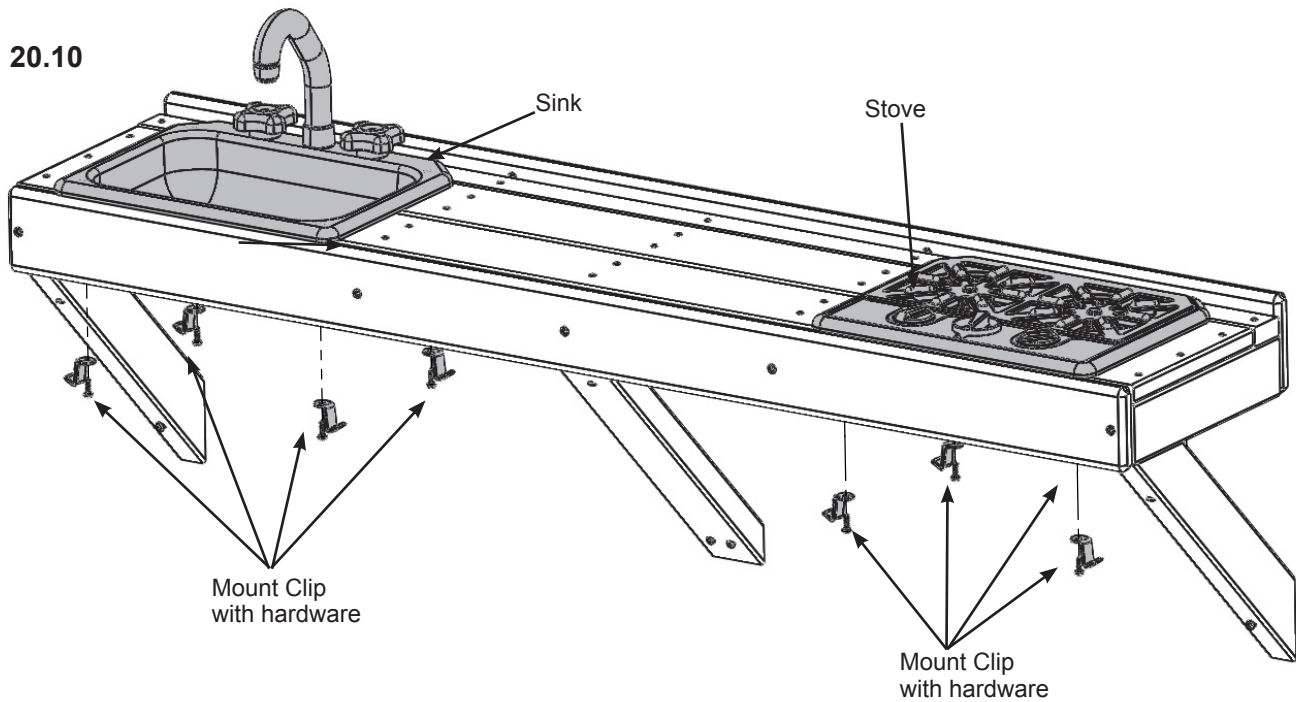
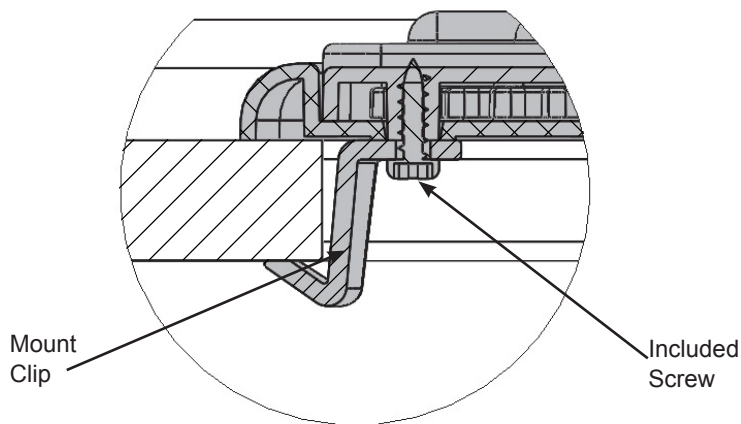


Fig. 20.11



### Other Parts

1 x Stove  
8 x Mount Clip

# Step 21: Attach Utensil Shelf

**A:** From inside the assembly, centred in the top of the opening of (2627) SW Wall Panel above the counter attach Utensil Shelf with 2 (S5) #8 x 1/2" Pan Screws as shown in fig. 21.1 and 21.2.

**B:** Attach Pot, Pan and Spatula to the Utensil Shelf. (fig. 21.2 and 21.3)

Fig. 21.1

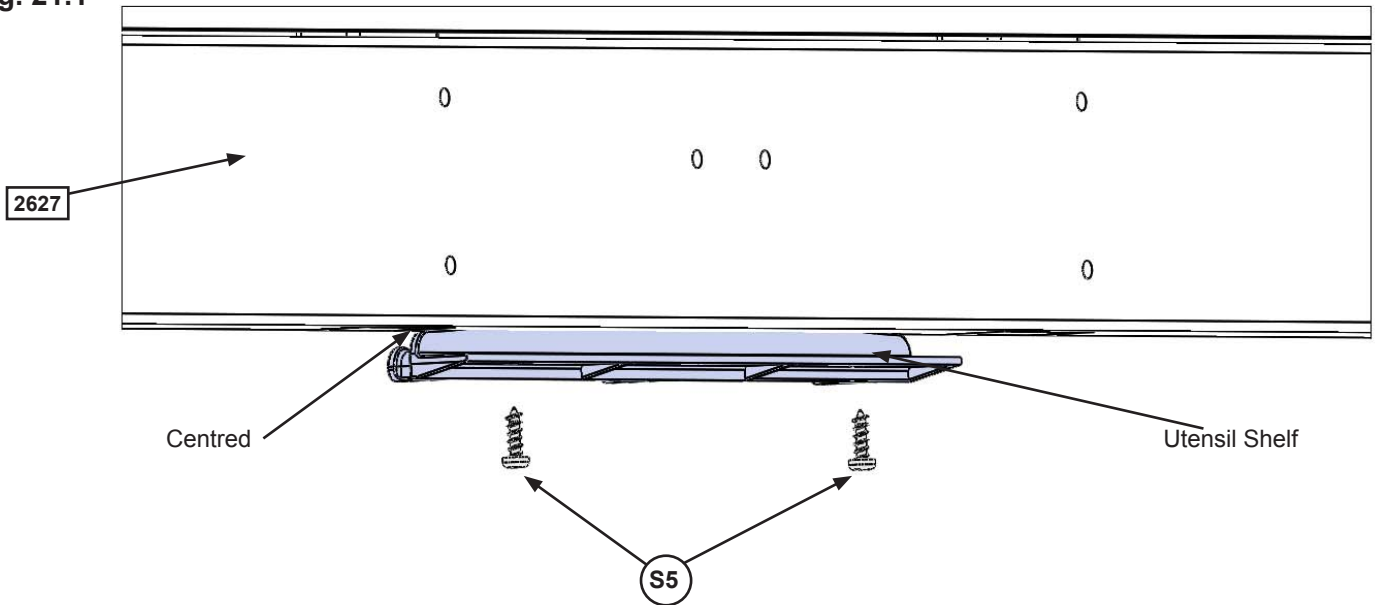


Fig. 21.2

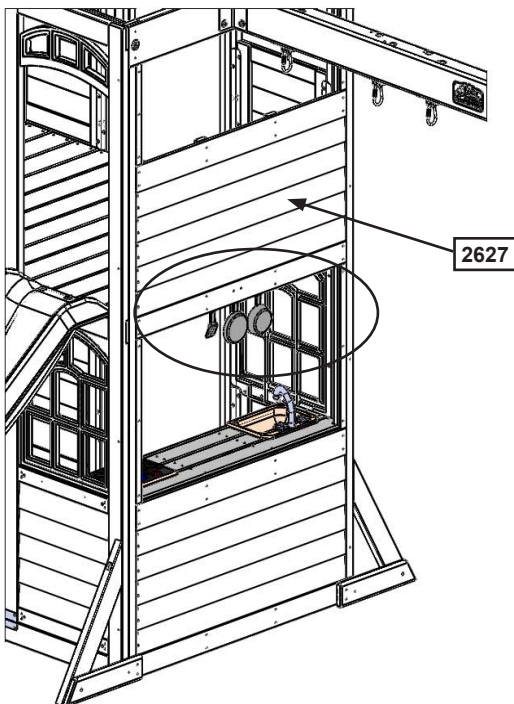
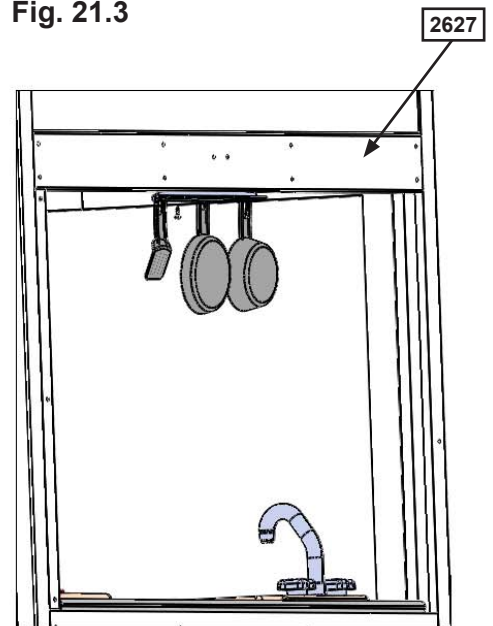


Fig. 21.3



## Hardware

2 x (S5) #8 x 1/2" Pan Screw

## Other Parts

1 x Utensil Shelf  
1 x Pot  
1 x Pan  
1 x Spatula

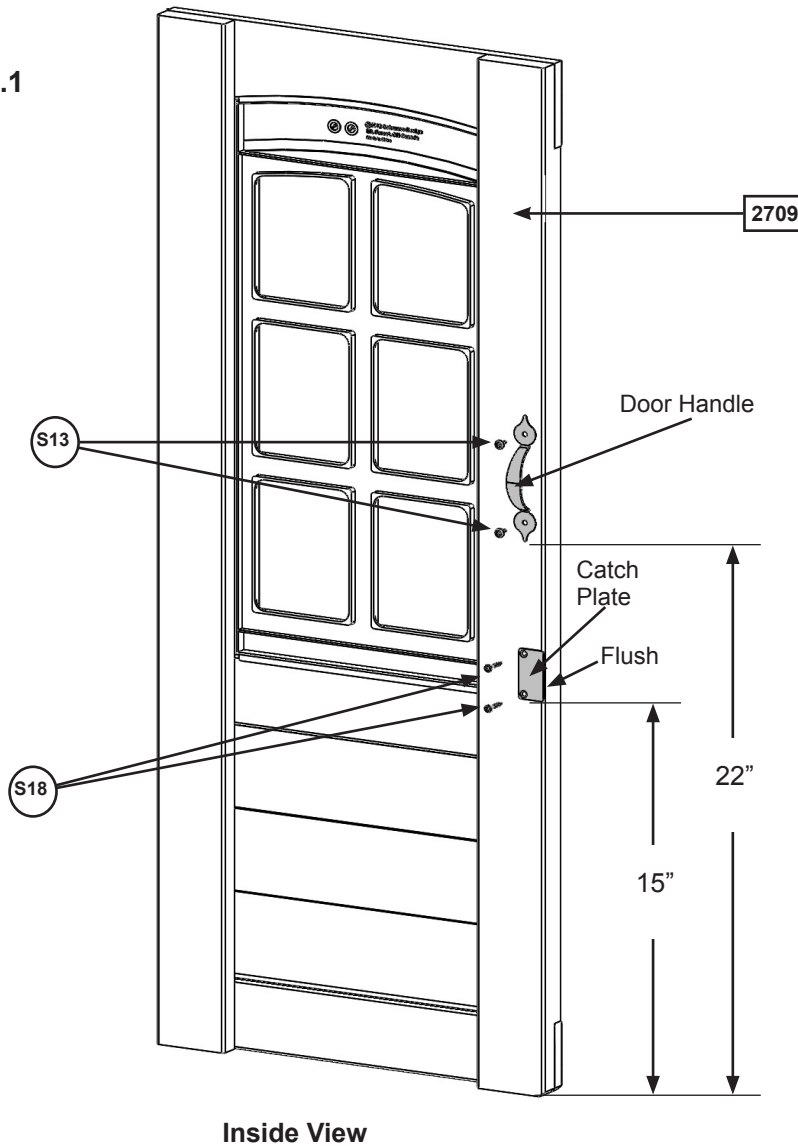
# Step 22: Attach Door Components Part 1



**A:** On the inside of (2709) Door Window Panel measure 15" up from the bottom and attach Catch Plate flush to the edge using 2 (S18) #6 x 1" Wood Screws. (fig. 22.1)

**B:** On the inside of (2709) Door Window Panel measure 22" up from the bottom and attach 1 Door Handle using 2 (S13) #6 x 5/8" Pan Screws. (fig. 22.1)

Fig. 22.1



Inside View

### Wood Parts

1 x 2709 Door Window Panel 1-1/4 x 15-3/4 x 40-3/4"

### Hardware

2 x S18 #6 x 1" Wood Screw

2 x S13 #6 x 5/8" Pan Screw

### Other Parts

1 x Door Handle

1 x Catch Plate

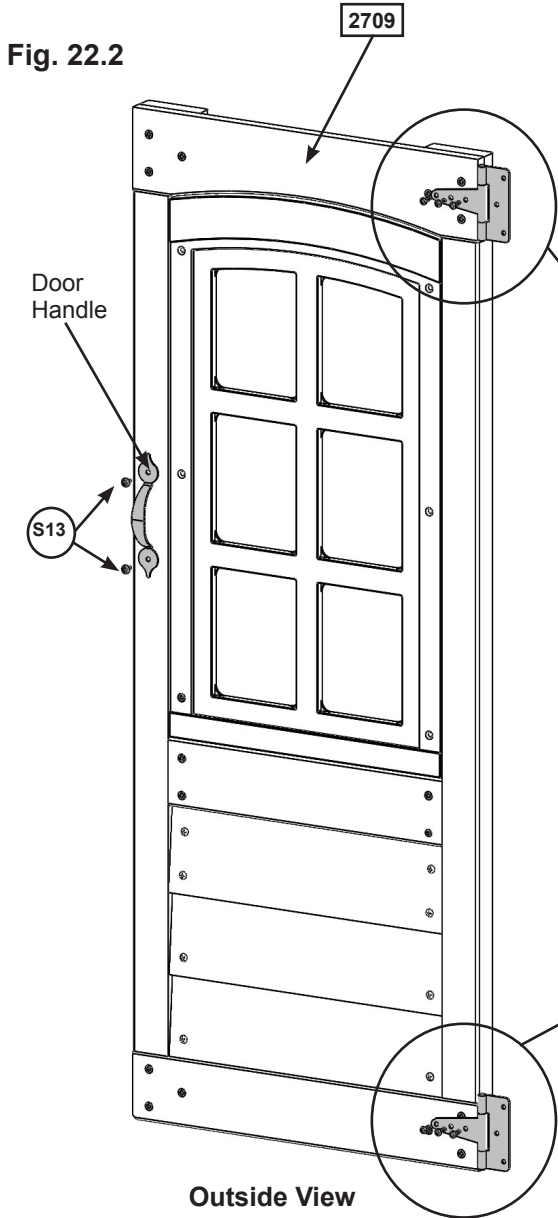
# Step 22: Attach Door Components Part 2



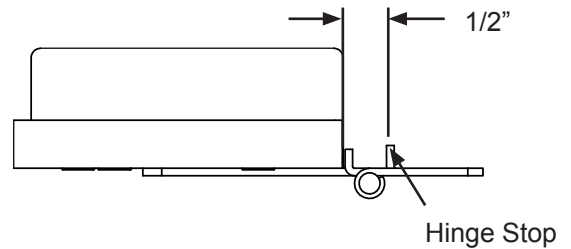
**C:** On the outside of the (2709) Door Window Panel attach the second Door Handle at approximately the same place as the one on the inside. Use 2 (S13) #6 x 5/8" Pan Screws. (fig. 22.2)

**D:** On the opposite side of the Door Handle measure 5/8" from the top and bottom of (2709) Door Window Panel attach 2 Door Hinges on the outside using 3 (S13) #6 x 5/8" Pan Screws per Hinge. (fig. 22.2 and 22.4)

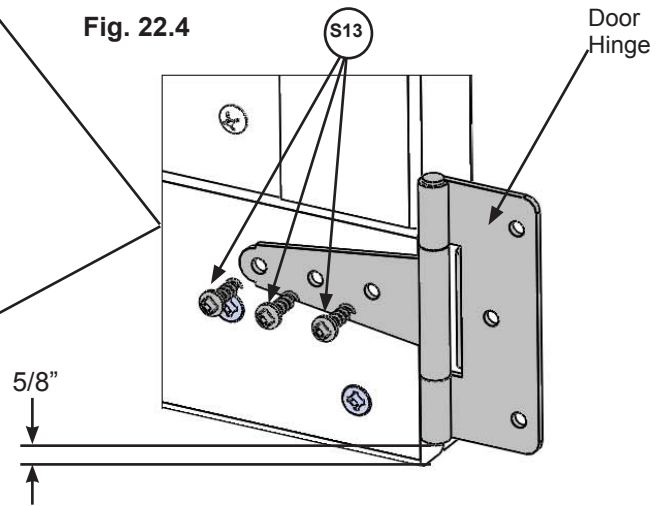
**Note:** Hinge stops must be tight to (2709) Door Window Panel. (fig. 22.3)



**Fig. 22.3**  
Top View



**Fig. 22.4**



**Hardware**  
8 x (S13) #6 x 5/8" Pan Screw

**Other Parts**  
1 x Door Handle  
2 x Door Hinge

# Step 23: Attach Door Assembly to Fort



**A:** On the Front of the fort in the opening of (2677) Narrow Panel, measure 5/8" up from the bottom of the opening and maximum 5/8" from the inside edge of the panel and attach the remaining side of the hinges using 3 (S13) #6 x 5/8" Pan Screws per hinge. (fig. 23.1, 23.2 and 23.3)

Fig. 23.1

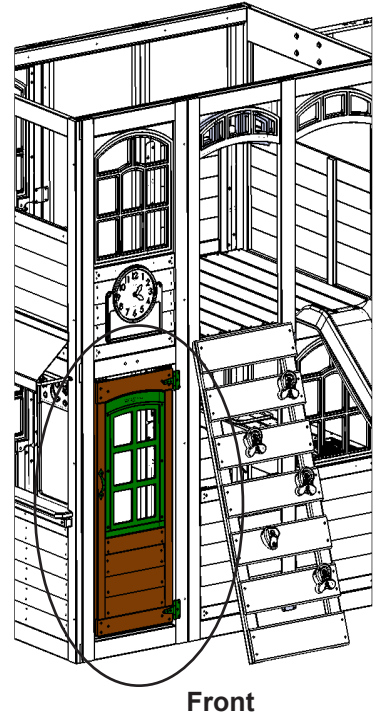


Fig. 23.2  
Outside View

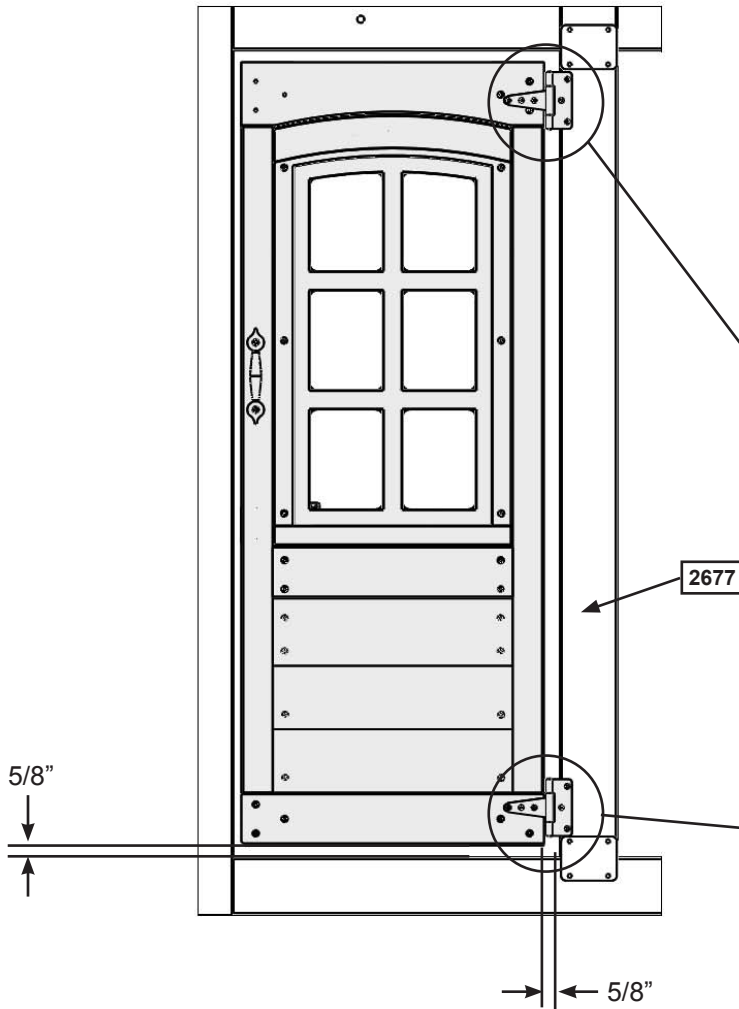
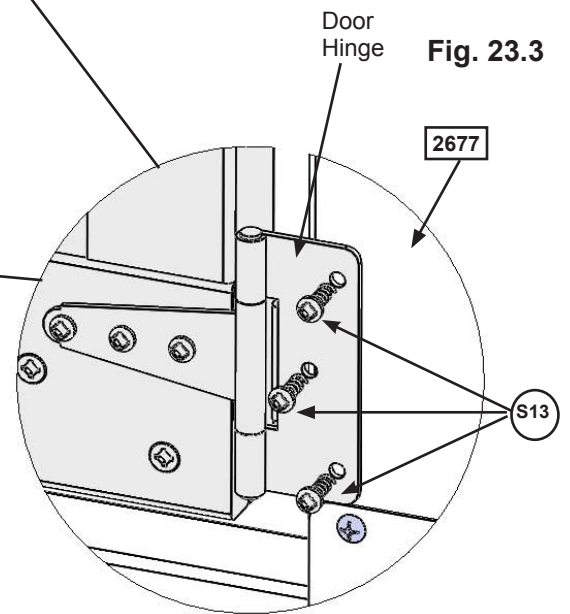


Fig. 23.3



### Hardware

6 x (S13) #6 x 5/8" Pan Screw



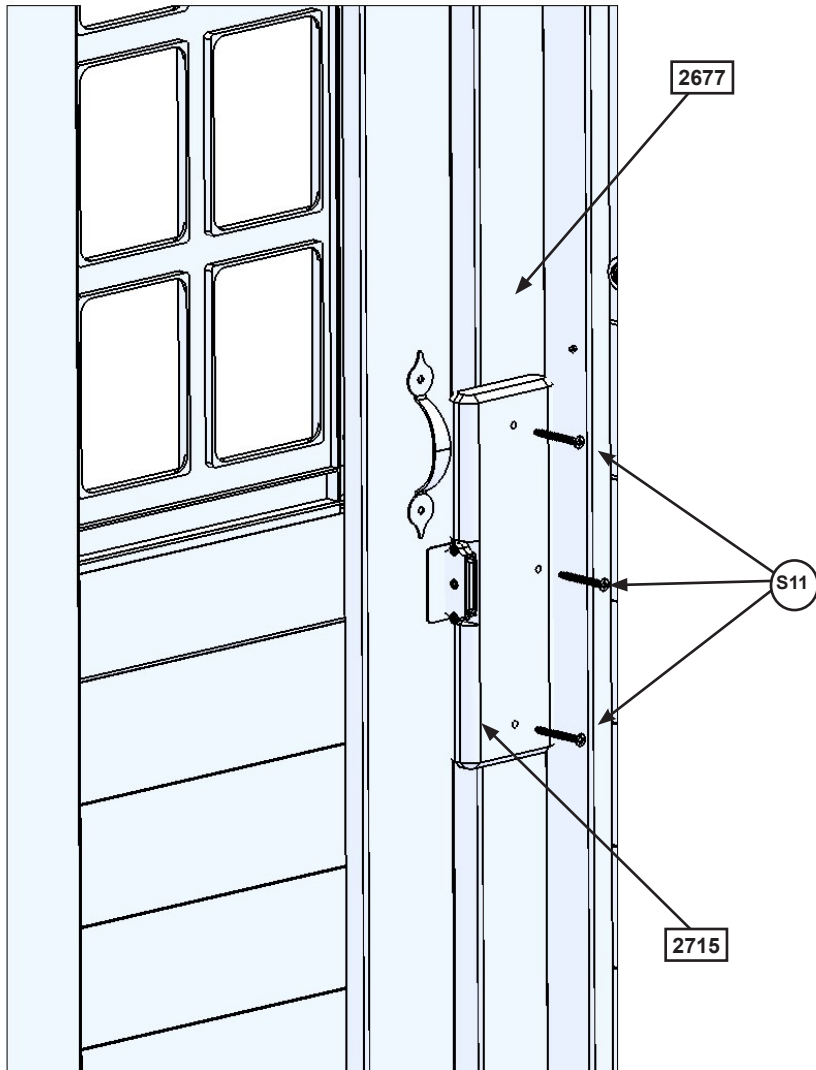
# Step 24: Attach Door Stop



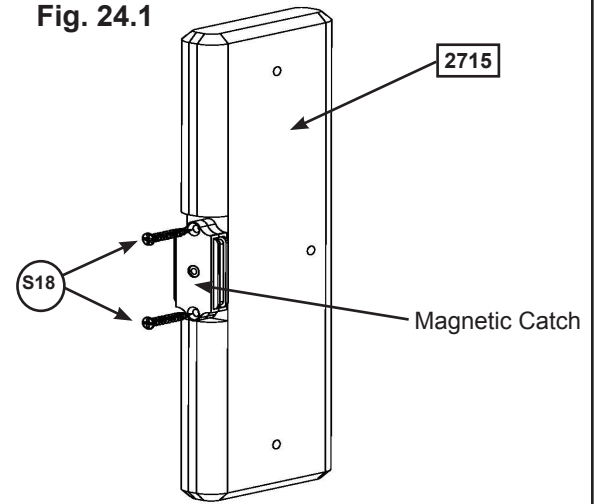
**A:** In the notched out opening of (2715) Door Stop attach the Magnetic Catch using 2 (S18) #6 x 1" Wood Screws. (fig. 24.1) **Important:** Use a hand held screw driver and **DO NOT** over tighten.

**B:** On the inside of the assembly, attach (2715) Door Stop to (2677) Narrow Panel with 3 (S11) #8 x 2" Wood Screws, making sure (2715) Door Stop overhangs the panel by 1-1/4" and is in position to receive the Catch Plate. (fig. 24.2 and 24.3).

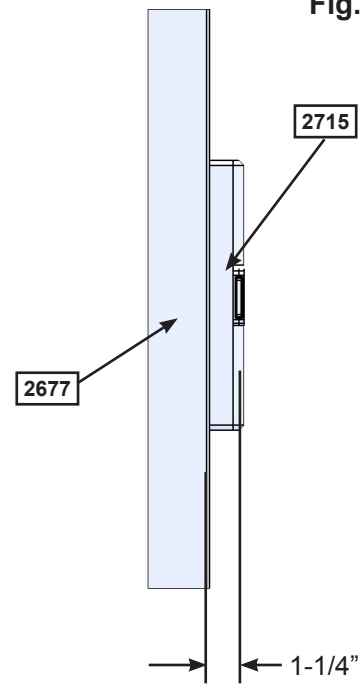
**Fig. 24.2**  
Inside View



**Fig. 24.1**



**Fig. 24.3**



**Wood Parts**

1 x 2715 Door Stop 5/4 x 3 x 10"

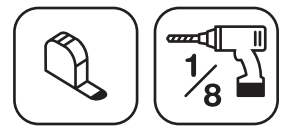
**Hardware**

2 x S18 #6 x 1" Wood Screw  
3 x S11 #8 x 2" Wood Screw

**Other Parts**

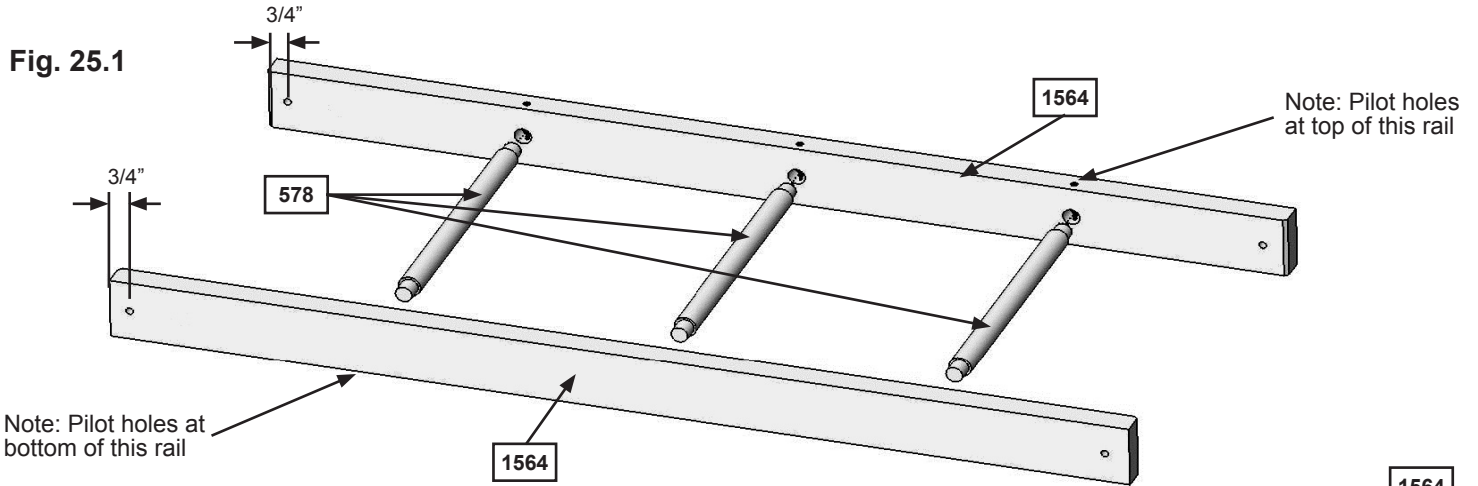
1 x Magnetic Catch

# Step 25: Monkey Rail Assembly



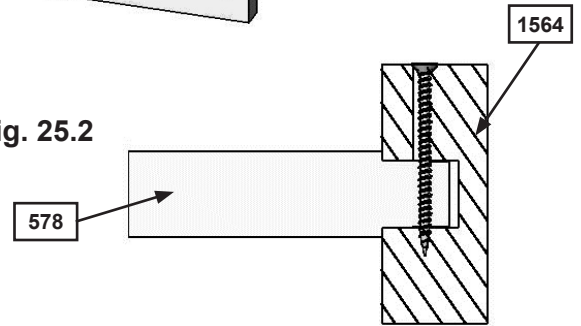
**Pre-drill all pilot holes using a 1/8" drill bit before installing Wood Screws.**

**A:** Insert 3 (578) 1-1/8 x 15-7/8" Dowels into both (1564) MK Rail Longs as shown in fig. 25.1. Note the pilot holes in one of the (1564) MK Rail Long are on the bottom of the board.

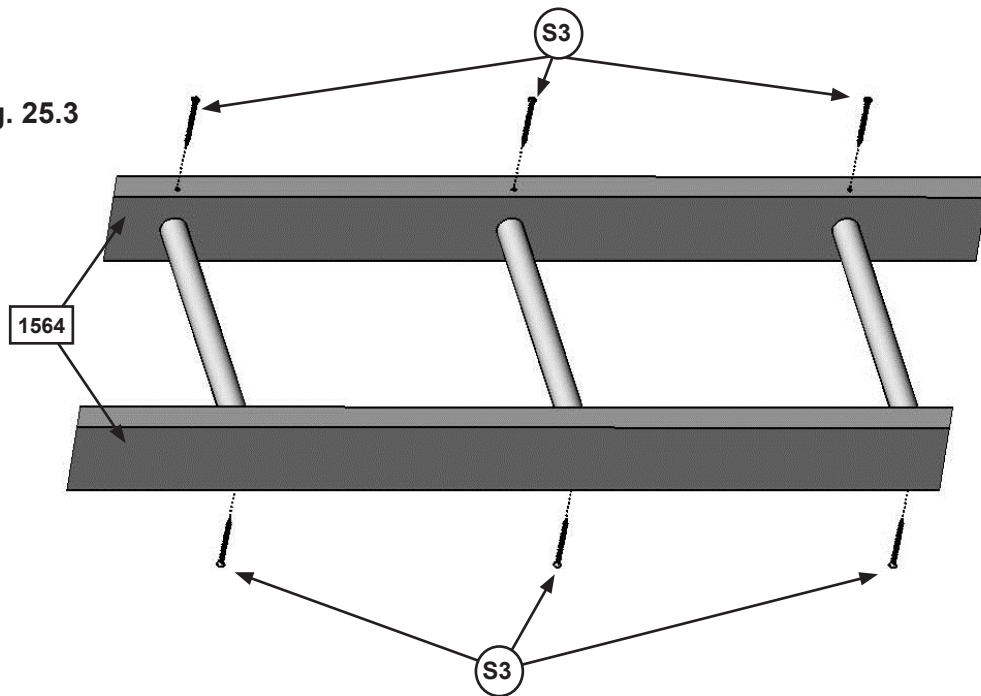


**B:** Make sure shoulder of dowel is against each rail before pre-drilling pilot holes. Drill 1/8" pilot holes through the rails and into the dowels to prevent splitting. (fig. 25.2)

**Fig. 25.2**



**Fig. 25.3**



**C:** Attach (578) 1-1/8 x 15-7/8" Dowels to both rails with 2 (S3) #8 x 2-1/2" Wood Screws per dowel. (fig. 25.3)

**Wood Parts**

- 3 x 578 Tennon Dowel 1-1/8 x 15-7/8"
- 2 x 1564 MK Rail Long 2 x 4 x 52"

**Hardware**

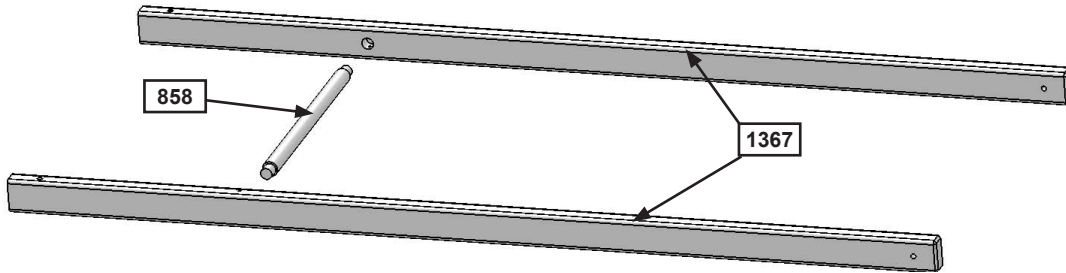
- 6 x S3 #8 x 2-1/2" Wood Screw

# Step 26: Monkey Ladder Assembly

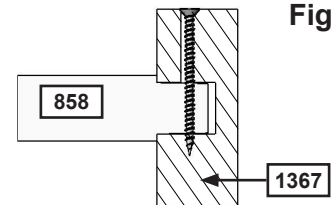


**A:** Insert 1 (858) 1-1/8 x 18-5/8" Dowel into 2 (1367) Post MK as shown in fig. 26.1.

**Fig. 26.1**



**Fig. 26.2**



**B:** Make sure shoulder of dowel is against each post before pre-drilling pilot holes. Drill 1/8" pilot holes through the posts and into the dowel to prevent splitting. (fig. 26.2)

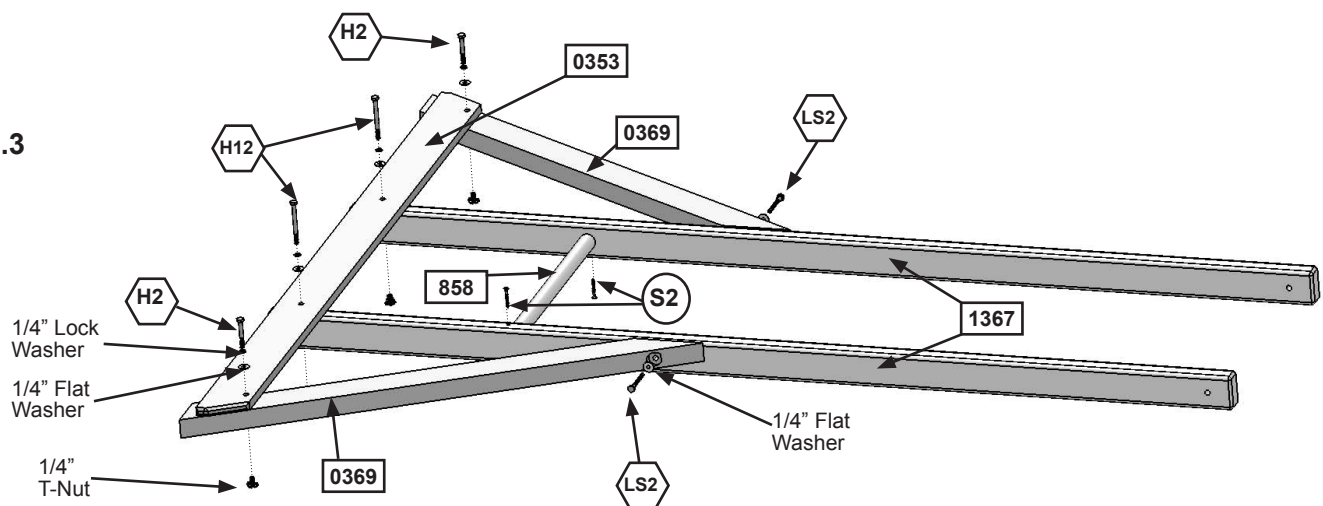
**C:** Attach (858) 1-1/8 x 18-5/8" Dowel to both posts with 2 (S2) #8 x 1-1/2" Wood Screws. One screw is installed from top of the rails and the other from the bottom as shown in fig. 26.3.

**D:** At bottom of (1367) Post MK attach (0353) MK Ground with 2 (H12) 1/4 x 3" Hex Bolts (with lock washer, flat washer and t-nut). **Be sure to keep the bolts loose.** (fig. 26.3)

**Note:** Pre-drill all holes using a 1/8" drill bit before installing the lag screws.

**E:** Make sure the assembly is square and then attach 1 (0369) Lower Diagonal to each end of (0353) MK Ground with 1 (H2) 1/4 x 2" Hex Bolt (with lock washer, flat washer and t-nut) per diagonal, keeping the bolts loose, and to each (1367) Post MK with 1 (LS2) 1/4 x 2-1/2" Lag Screw (with flat washer) per diagonal. Once lag screws are installed tighten all bolts from Steps D & E. (fig. 26.3)

**Fig. 26.3**



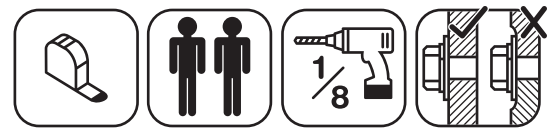
### Wood Parts

- 2 x 0369 Lower Diagonal 2 x 3 x 37"
- 1 x 0353 MK Ground 1 x 4 x 55-1/4"
- 2 x 1367 Post MK 2 x 3 x 70"
- 1x 858 Tennon Dowel 1-1/8 x 18-5/8"

### Hardware

- 2 x H12 1/4 x 3" Hex Bolt (1/4" lock washer, 1/4" flat washer, 1/4" t-nut)
- 2 x H2 1/4 x 2" Hex Bolt (1/4" lock washer, 1/4" flat washer, 1/4" t-nut)
- 2 x LS2 1/4 x 2-1/2" Lag Screw (1/4" flat washer)
- 2 x S2 #8 x 1-1/2" Wood Screw

# Step 27: Connect Monkey Bar Assemblies

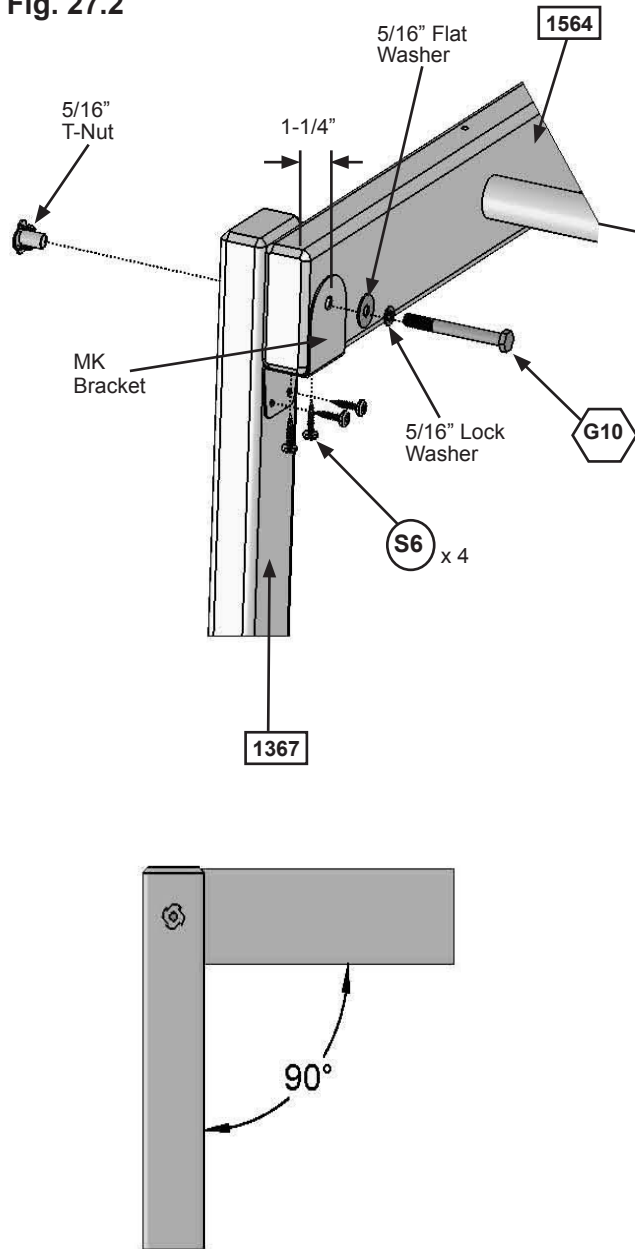


**Note:** Pre-drill all holes using a 1/8" drill bit before installing the pan screws.

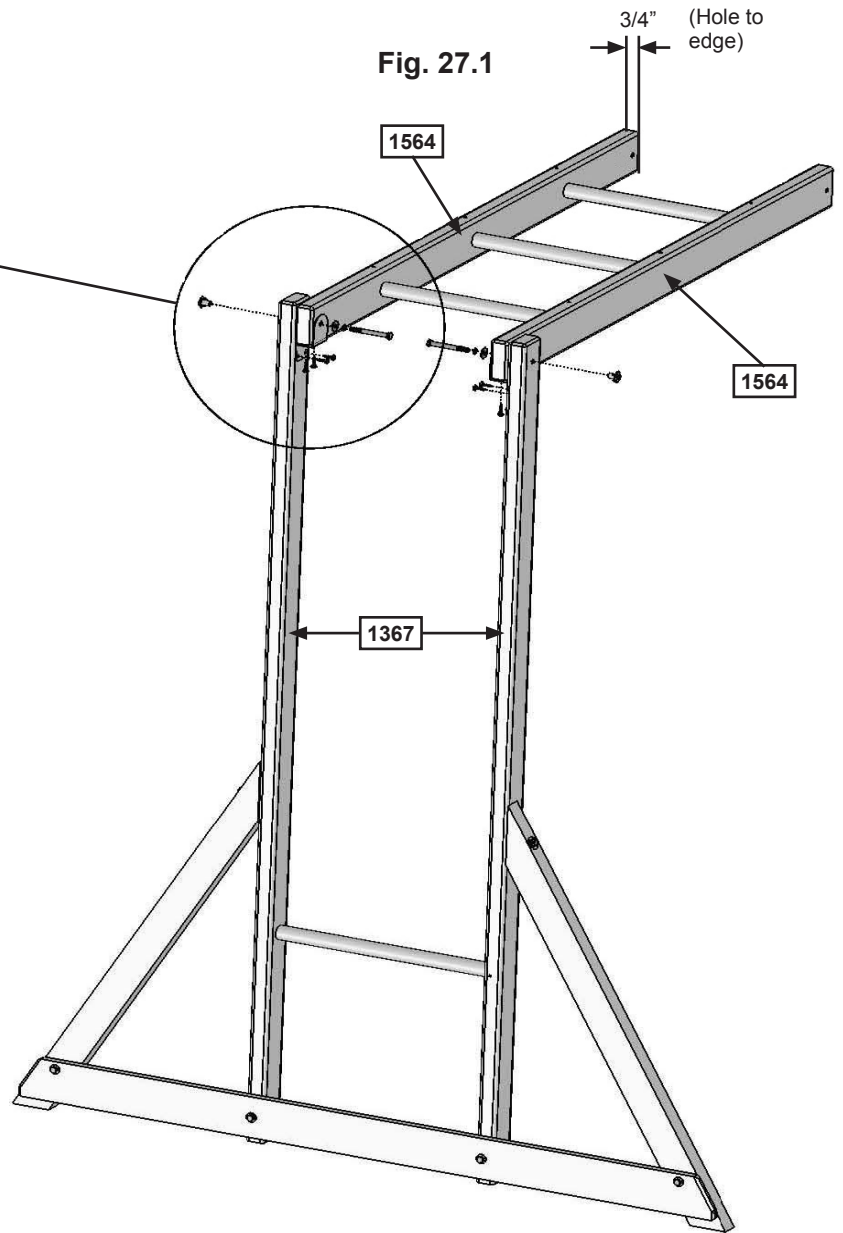
**A:** Using a MK Bracket connect (1564) MK Rail Longs to each (1367) Post MK with 1 (G10) 5/16 x 3" Hex Bolt (with lock washer, flat washer and t-nut) per bracket and MK Bracket to the rails using 2 (S6) #12 x 1" Pan Screws per rail as shown in fig. 27.1 and 27.2.

**B:** Attach MK Bracket to both (1367) Post MKs with 2 (S6) #12 x 1" Pan Screws per bracket. (fig. 27.2)

**Fig. 27.2**



**Fig. 27.1**



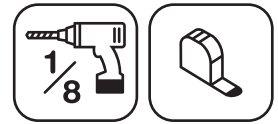
**Hardware**

- 2 x 5/16 x 3" Hex Bolt (5/16" lock washer, 5/16" flat washer, 5/16" t-nut)
- 8 x #12 x 1" Pan Screws

**Other Parts**

- 2 x MK Bracket

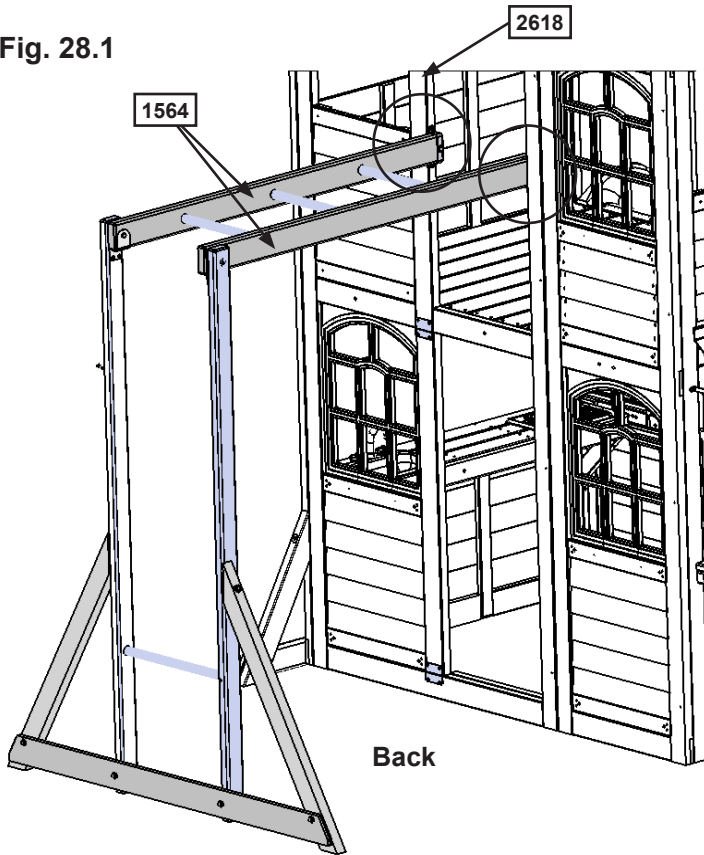
# Step 28: Connect Monkey Bar Assembly to Fort



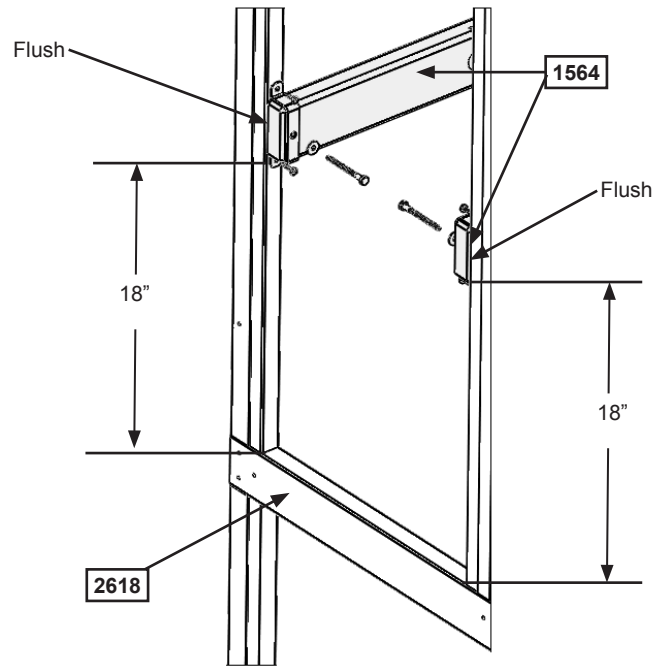
*Pre-drill all pilot holes using a 1/8" drill bit before installing the lag screws.*

**A:** On the Back of the assembly in the opening of (2618) Front Back panel as shown in fig. 28.1 and 28.2 measure 18" from the bottom of the opening on both sides then with a MB Mount Strap attach both (1564) MK Rail Longs to fort using 1 (LS3) 1/4 x 3" Lag Screw (with flat washer) in the centre hole and 2 (S6) #12 x 1" Pan Screws in the 2 end holes per bracket as shown in fig. 28.1, 28.2 and 28.3.

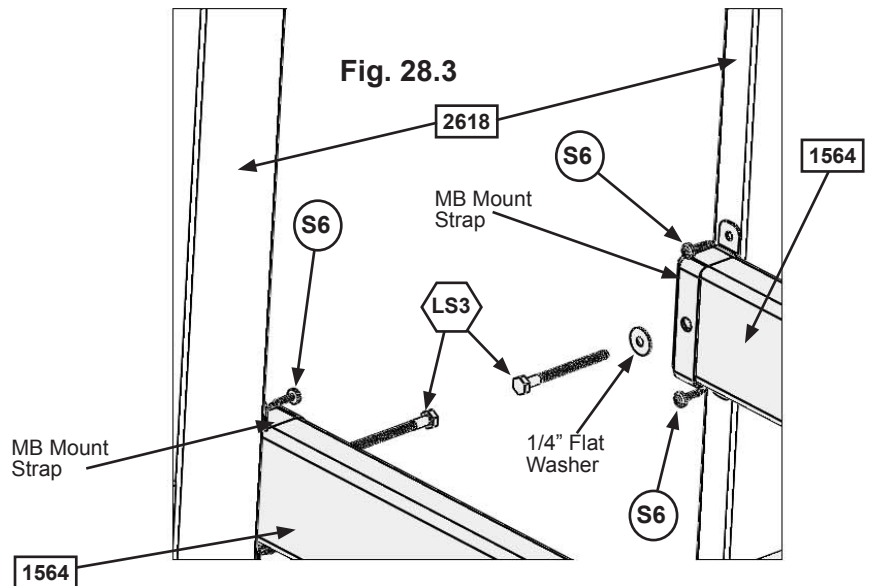
**Fig. 28.1**





**Fig. 28.2**



**Fig. 28.3**



## Hardware

- 4 x  #12 x 1" Pan Screw
- 2 x  1/4 x 3" Lag Screw (1/4" flat washer)

## Other Parts

- 2 x MB Mount Strap



## Step 29: Attach Monkey Ladder Ground Stake

**A:** Drive 1 Rebar Ground Stake 13" into the ground against (1367) Post MK then attach with 1 (S7) #12 x 2" Pan Screw. Be careful not to hit the washer while hammering stake into the ground as this could cause the washer to break off. (fig. 29.1 and 29.2)

**D:** After driving stake into the ground, check for sharp edges caused by the impact of the hammer. Smooth any sharp edges from impact area and touch up with outdoor paint.

**⚠Warning!** To prevent tipping and avoid potential injury, stakes must be driven 13" into ground. Digging or driving stakes can be dangerous if you do not check first for under-ground wiring, cables or gas lines.

Fig. 29.1

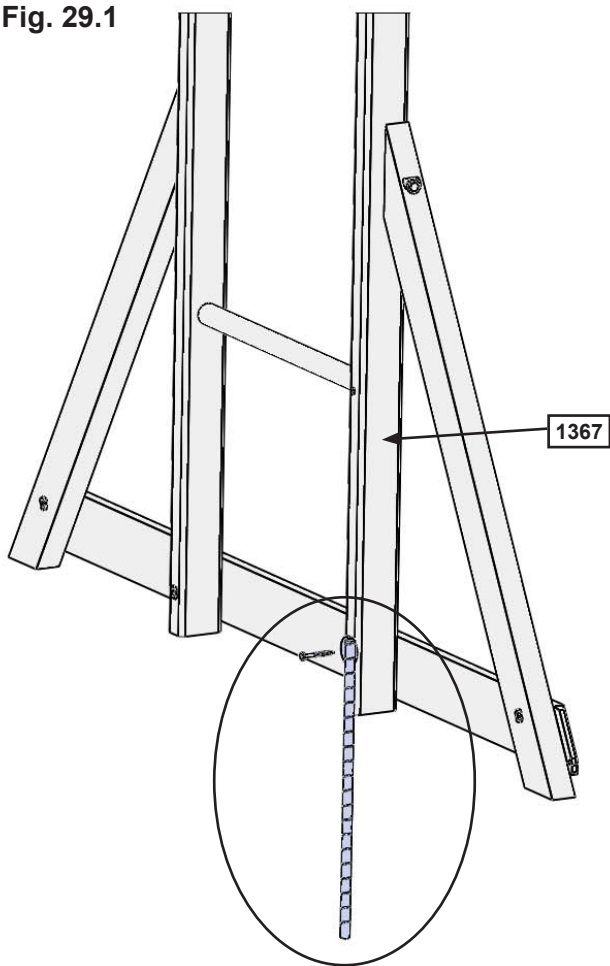
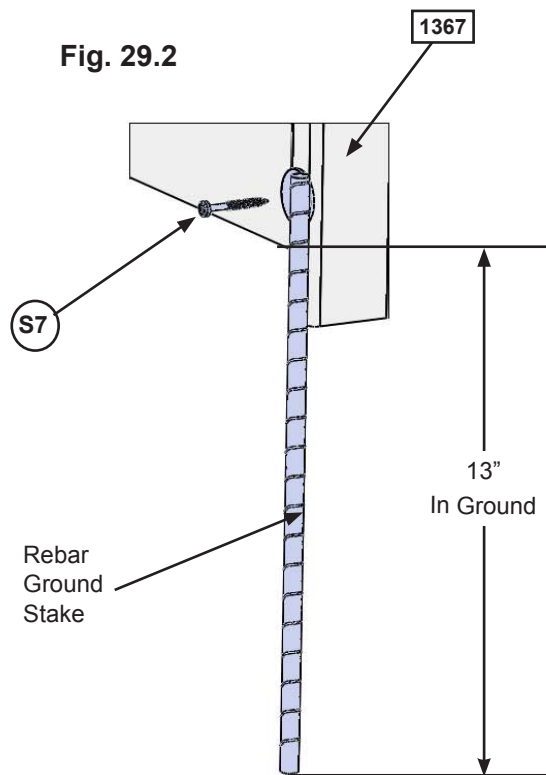


Fig. 29.2



### Hardware

1 x (S7) #12 x 2" Pan Screw

### Other Parts

1 x Rebar Ground Stake

# Step 30: Roof Support Assembly

**A:** Attach 1 (2617) Roof Support to a second (2617) Roof Support at peak using 1 (S4) #8 x 3" Wood Screw. Repeat this step so there are 2 Roof Support Assemblies. (fig. 30.1)

**B:** Attach 1 (2680) Roof Support to a second (2680) Roof Support at peak using 1 (S4) #8 x 3" Wood Screw. There is 1 Small Roof Support Assembly. (fig. 30.2)

Fig. 30.1

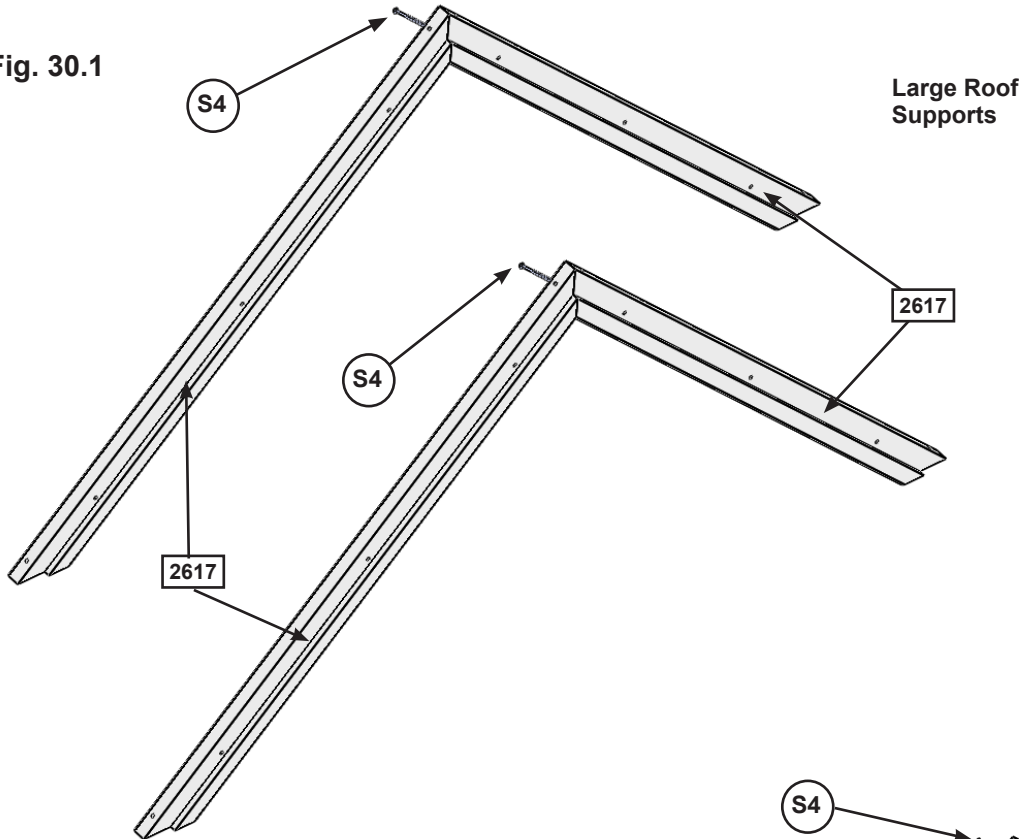
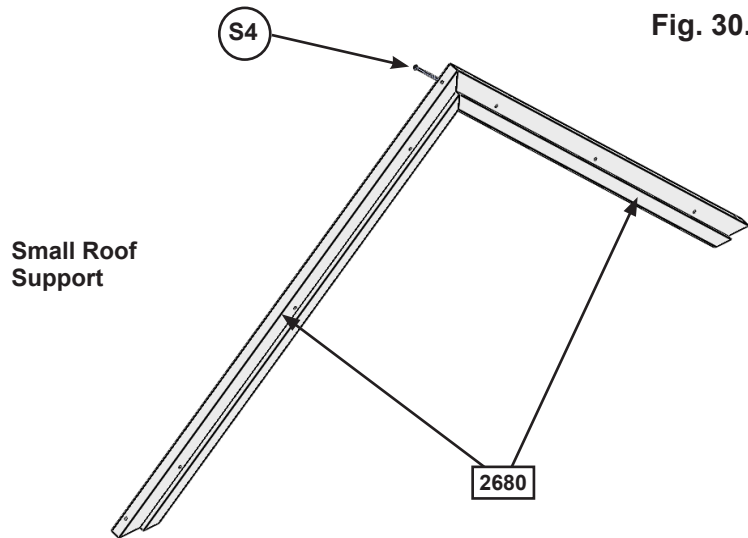


Fig. 30.2



## Wood Parts

- 4 x Roof Support 1-1/4 x 2-1/4 x 37-1/2"
- 2 x Roof Support 1-1/4 x 2-1/4 x 34-1/16"

## Hardware

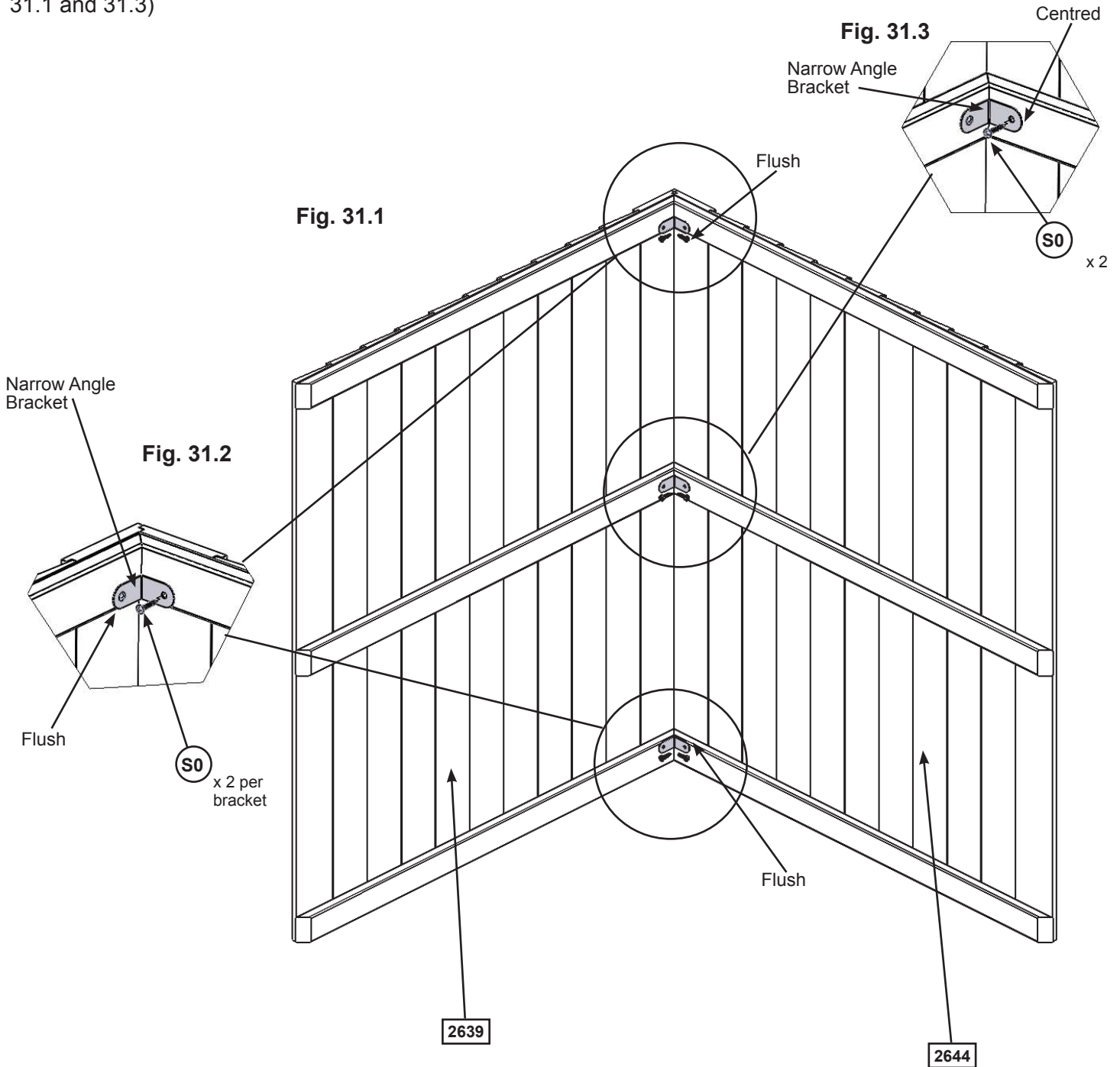
- 3 x #8 x 3" Wood Screw

# Step 31: Large Roof Assembly Part 1



**A:** Place (2644) Front Roof Panel against (2639) Back Roof Panel so the tops form a peak then tight to the inside edge of the outside slats attach 1 Narrow Angle Bracket per slat with 2 (S0) #8 x 7/8" Truss Screws per bracket. (fig. 31.1 and 31.2)

**B:** Attach the third Narrow Angle Bracket centred on the middle slat with 2 (S0) #8 x 7/8" Truss Screws. (fig. 31.1 and 31.3)



## Wood Parts

- 1 x 2644 Front Roof Panel 1-1/4 x 37 x 44"
- 1 x 2639 Back Roof Panel 1-1/4 x 36-3/4 x 44"

## Hardware

- 6 x S0 #8 x 7/8" Truss Screw

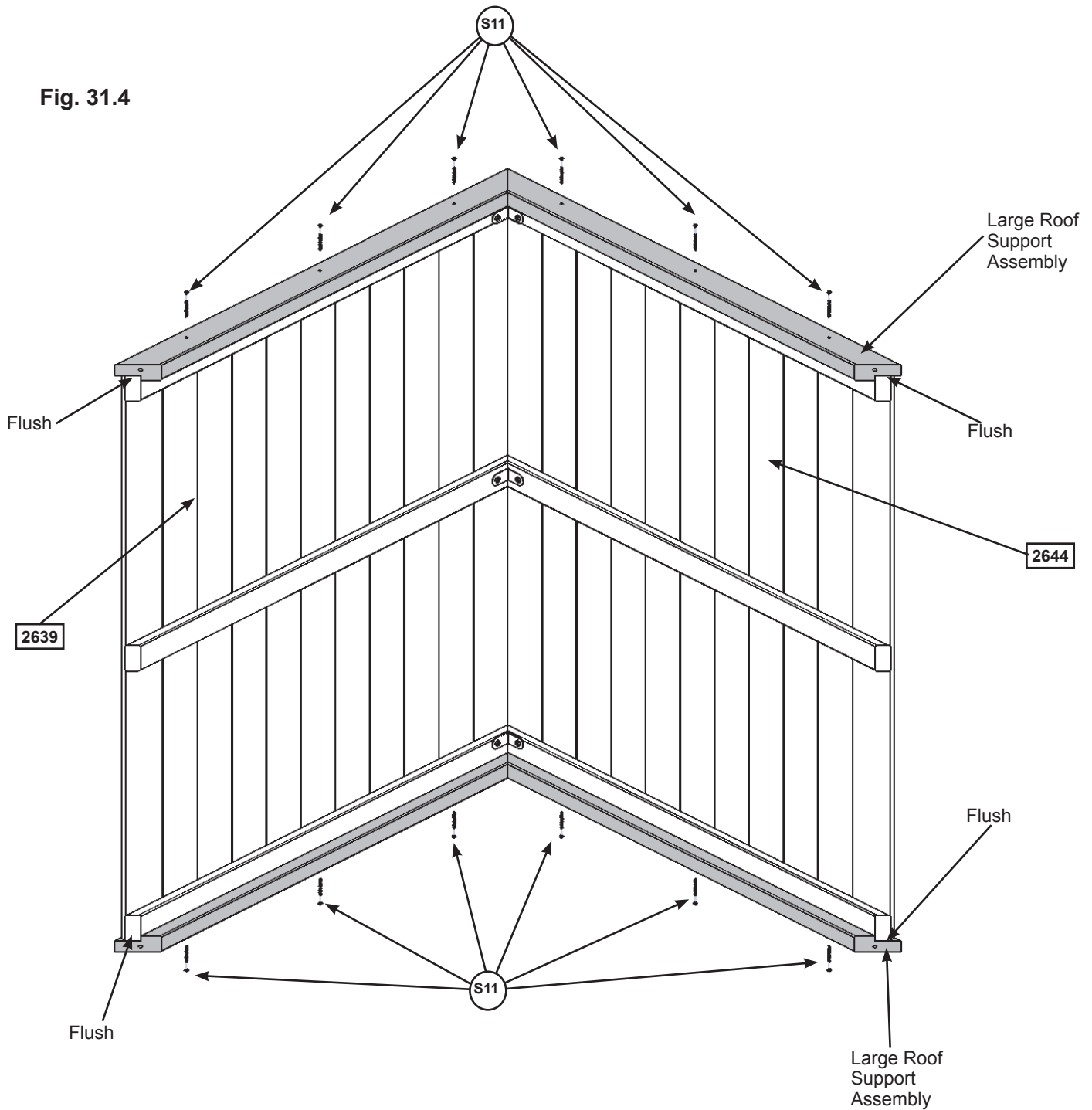
## Other Parts

- 3 x Narrow Angle Bracket

# Step 31: Large Roof Assembly Part 2

**C:** Place 1 Roof Support Assembly against one side so the peaks meet and the ends of the roof supports are flush with the ends of the roof panels. Attach with 6 (S11) #8 x 2" Wood Screws. (fig. 31.4)

**D:** Attach the second Roof Support Assembly on the opposite side, peaks to meet and ends are flush with 6 (S11) #8 x 2" Wood Screws. (fig. 31.4)



## Hardware

12 x (S11) #8 x 2" Wood Screw

## Step 32: Attach Sky Gable

**A:** Attach 1 Sky Gable to the inside of the (2617) Roof Supports on one side of the Large Roof Assembly with 4 (S5) #8 x 1/2" Pan Screws. (fig. 32.1 and 32.2)

Fig. 32.1

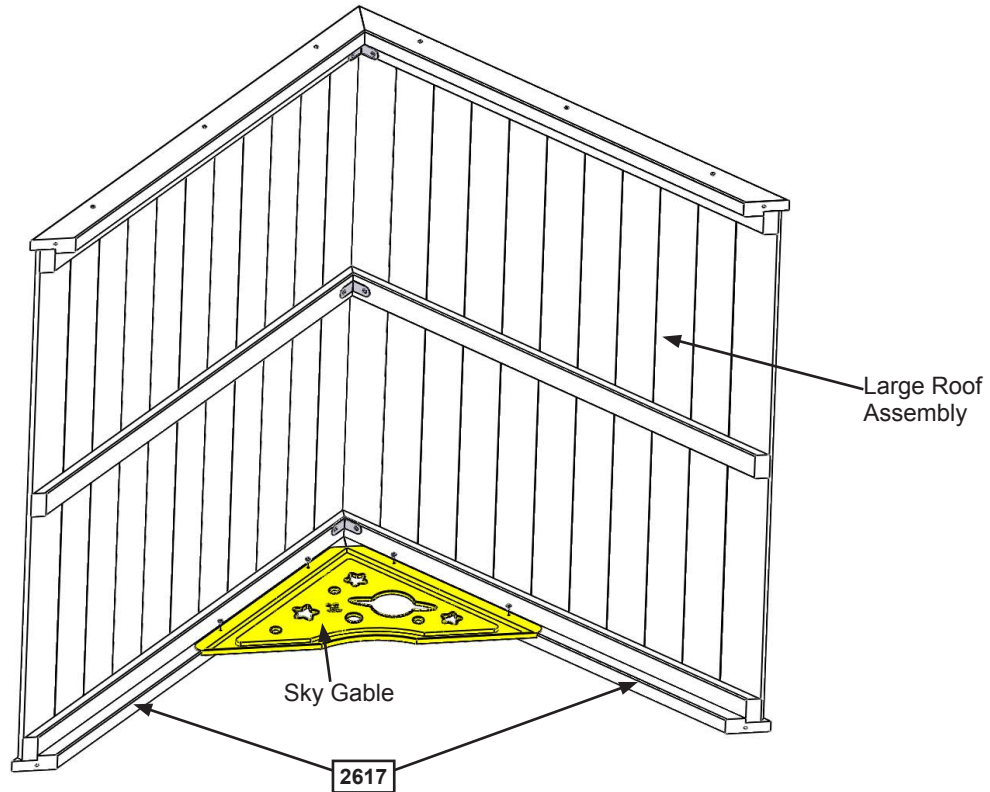
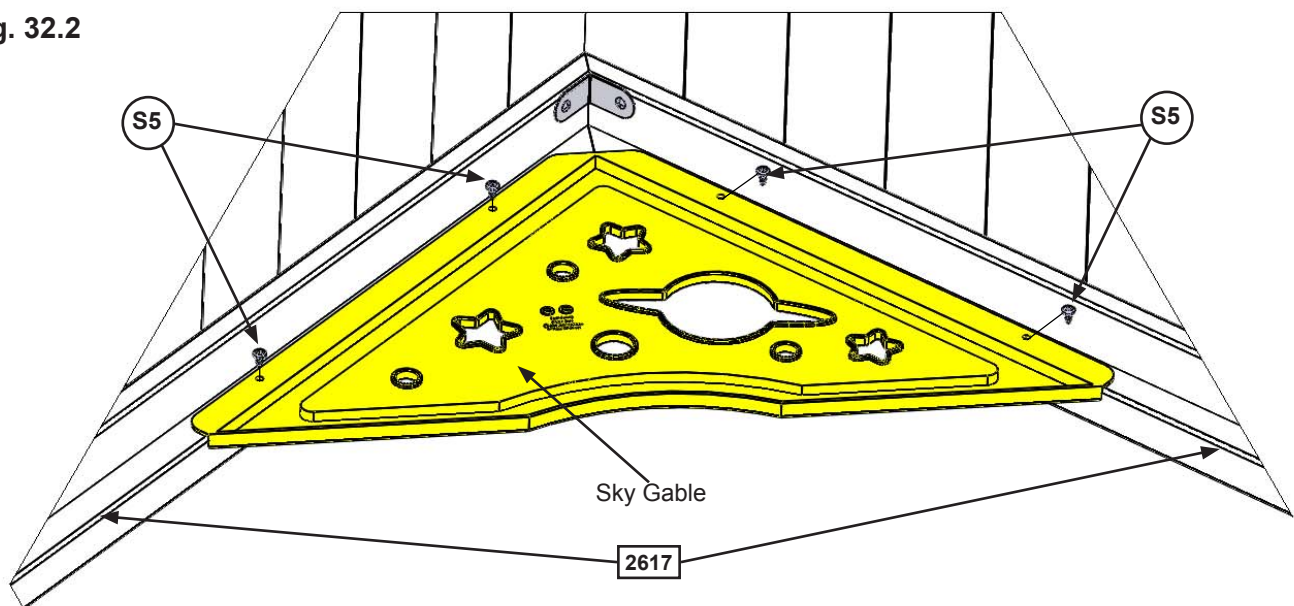


Fig. 32.2



### Hardware

4 x (S5) #8 x 1/2" Pan Screw

### Other Parts

1 x Sky Gable

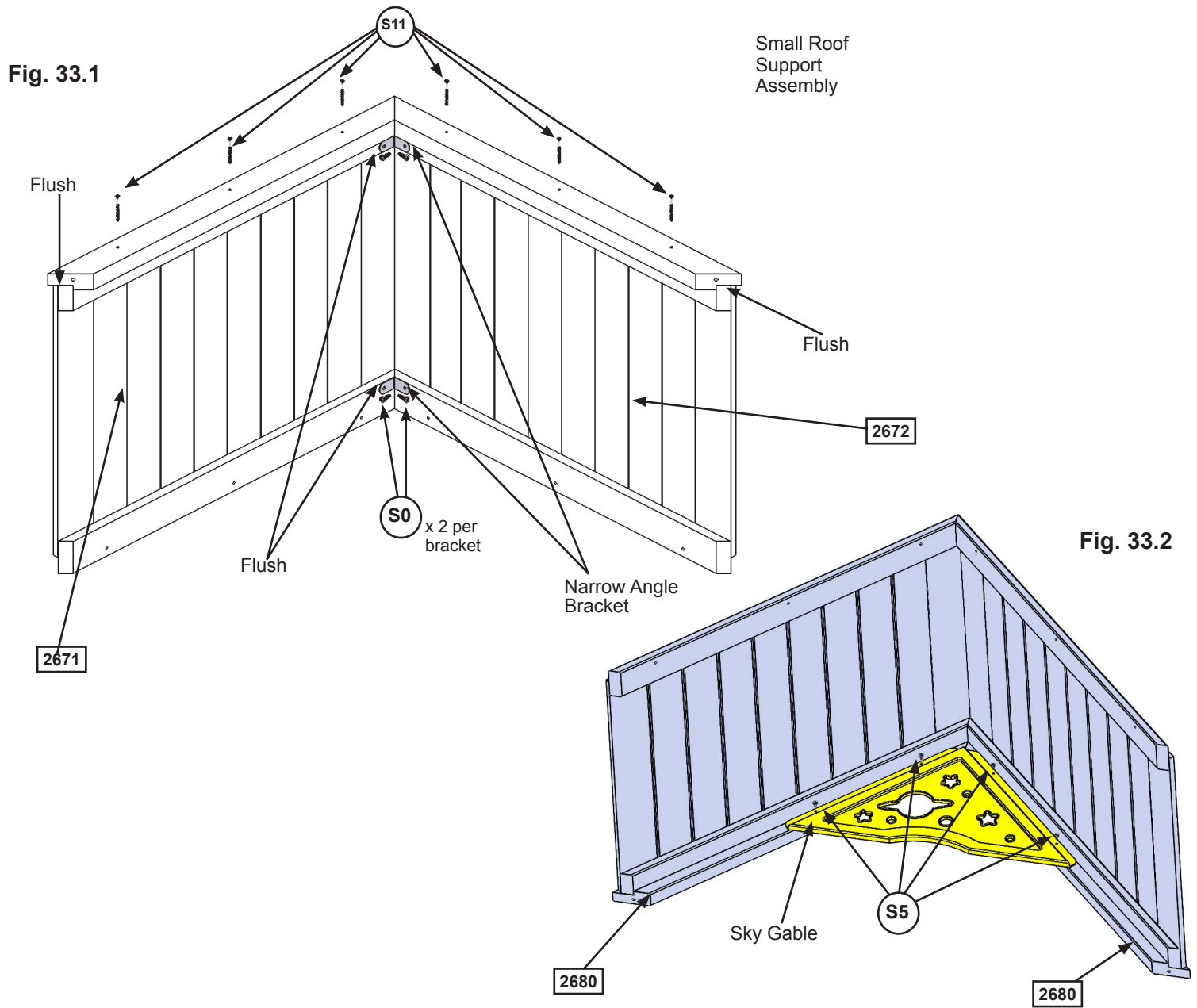


# Step 33: Small Roof Assembly

**A:** Place (2672) Front Small Roof against (2671) Back Small Roof so the tops form a peak then tight to the inside edge of the outside slats attach 1 Narrow Angle Bracket per slat with 2 (S0) #8 x 7/8" Truss Screws per bracket. (fig. 33.1)

**B:** Place Small Roof Support Assembly against one side so the peaks meet and the ends of the roof supports are flush with the ends of the roof panels. Attach with 6 (S11) #8 x 2" Wood Screws. (fig. 33.1)

**C:** Attach 1 Sky Gable to the inside of the (2680) Roof Supports with 4 (S5) #8 x 1/2" Pan Screws. (fig. 33.2)



### Wood Parts

- 1 x 2672 Front Small Roof 1-1/4 x 22-9/16 x 33-5/8"
- 1 x 2671 Back Small Roof 1-1/4 x 22-9/16 x 33-3/8"

### Hardware

- 6 x S11 #8 x 2" Wood Screw
- 4 x S0 #8 x 7/8" Truss Screw
- 4 x S5 #8 x 1/2" Pan Screw

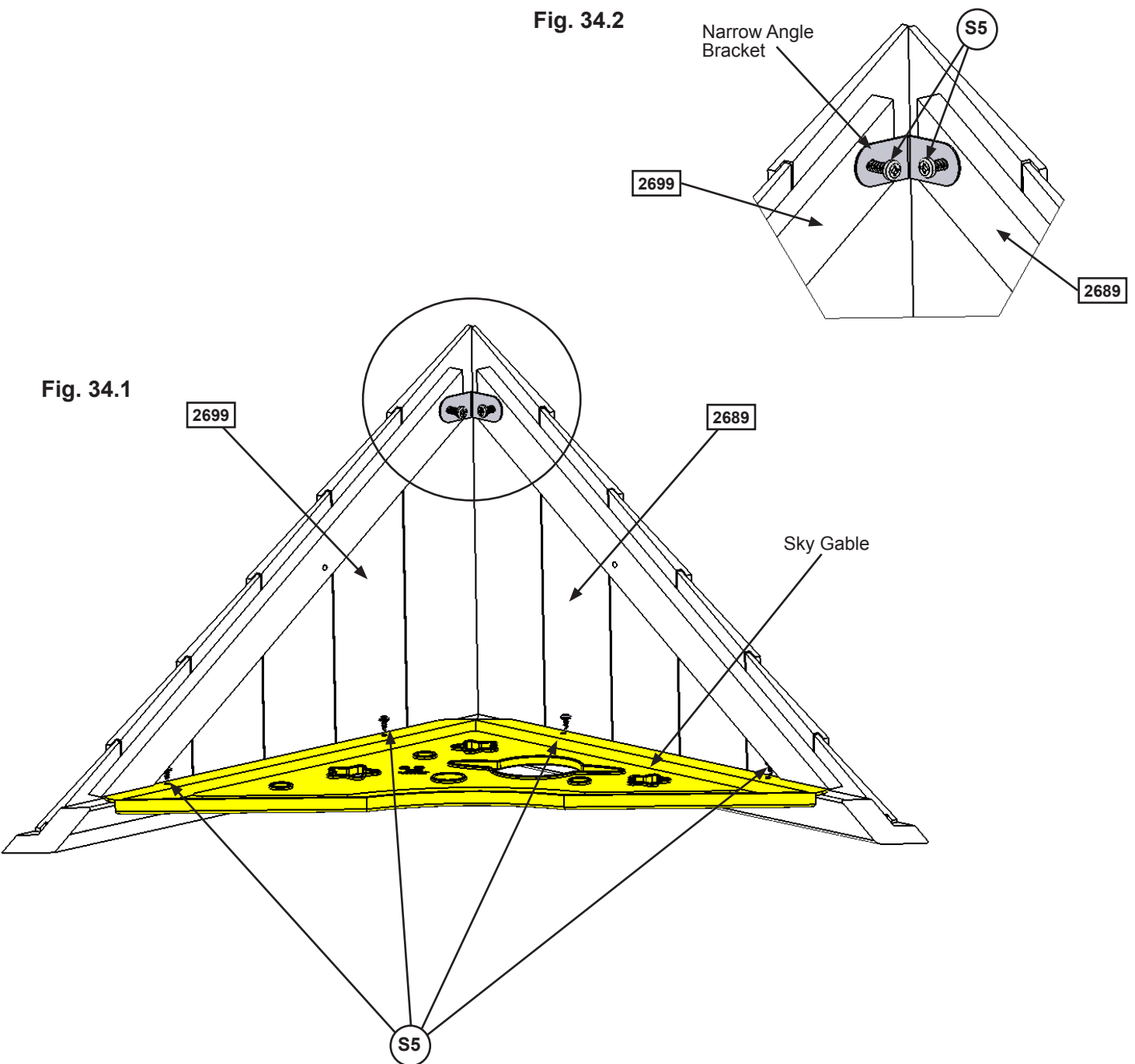
### Other Parts

- 2 x Narrow Angle Bracket
- 1 x Sky Gable

## Step 34: Gable Dormer Assembly

**A:** Place (2699) Gable Dormer RT tight to (2689) Gable Dormer LT then place Sky Gable tight against the dormers and attach with 4 (S5) #8 x 1/2" Pan Screws. (fig. 34.1)

**B:** Attach (2699) Gable Dormer RT and (2689) Gable Dormer LT with 1 Narrow Angle Bracket using 2 (S5) #8 x 1/2" Pan Screws. (fig. 34.1 and 34.2)



### Wood Parts

- 1 x 2689 Gable Dormer LT 1-1/4 x 14.6 x 22"
- 1 x 2699 Gable Dormer RT 1-1/4 x 14.6 x 22"

### Hardware

- 6 x S5 #8 x 1/2" Pan Screw

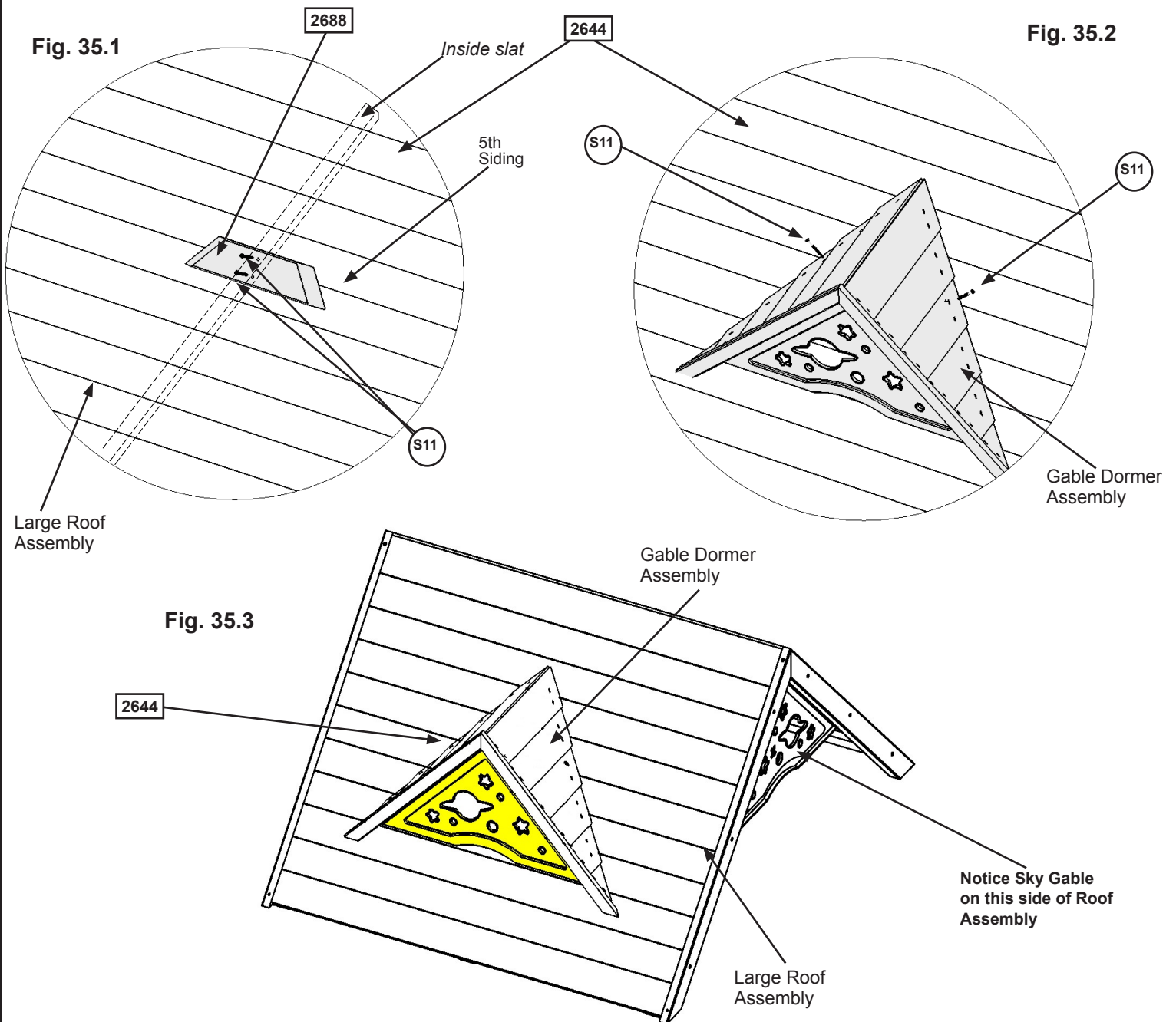
### Other Parts

- 2 x Narrow Angle Bracket
- 1 x Sky Gable

## Step 35: Attach Gable Dormer to Roof

**A:** On the outside of the Large Roof Assembly on (2644) Front Roof Panel, on the 5th siding down, place (2688) Dormer Cleat centred on the panel (over the middle inside slat) then attach with 2 (S11) #8 x 2" Wood Screws. Make sure the screws go into the siding and the slats. (fig. 35.1)

**B:** Place completed Gable Dormer Assembly over (2688) Dormer Cleat and attach with 2 (S11) #8 x 2" Wood Screws (fig. 35.2 and 35.3)



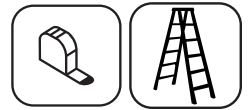
### Wood Parts

1 x (2688) Dormer Cleat 1-1/4 x 3 x 12-3/4"

### Hardware

4 x (S11) #8 x 2" Wood Screw

# Step 36: Attach Roof Ends Part 1



**A:** On the Swing Wall place 1 (2646) Roof End flush to the top of (2627) SW Panel on the right hand side, measure overhang so it is 4-7/8" then attach with 2 (S11) #8 x 2" Wood Screws and 1 (S4) #8 x 3" Wood Screw. (fig. 36.1, 36.2 and 36.3)

**B:** Repeat Step A for 1 (2647) Roof End Left. (fig. 36.1, 36.2 and 36.3)

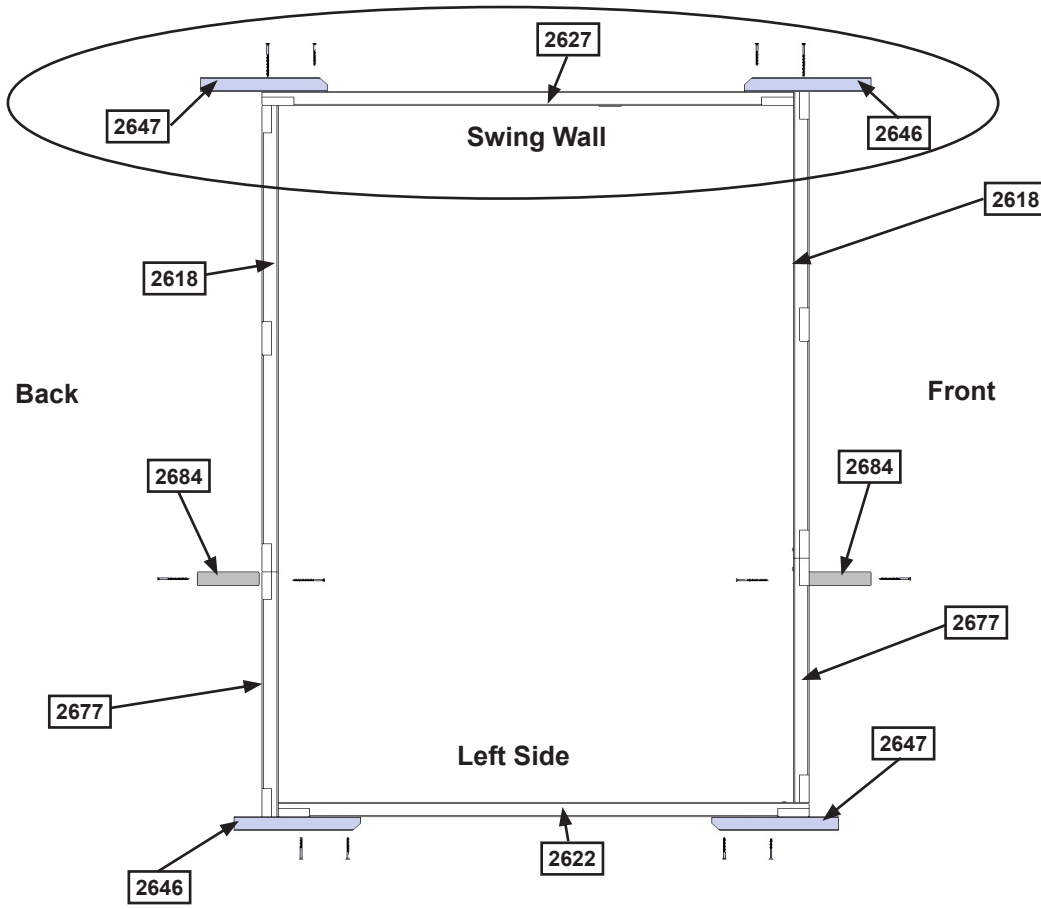


Fig. 36.1

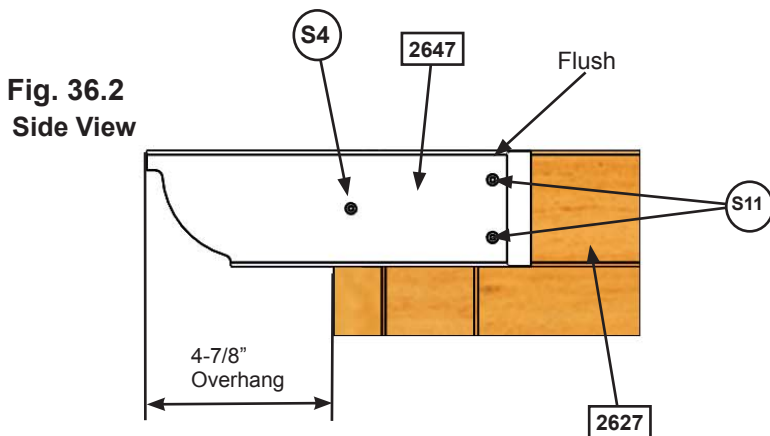


Fig. 36.2  
Side View

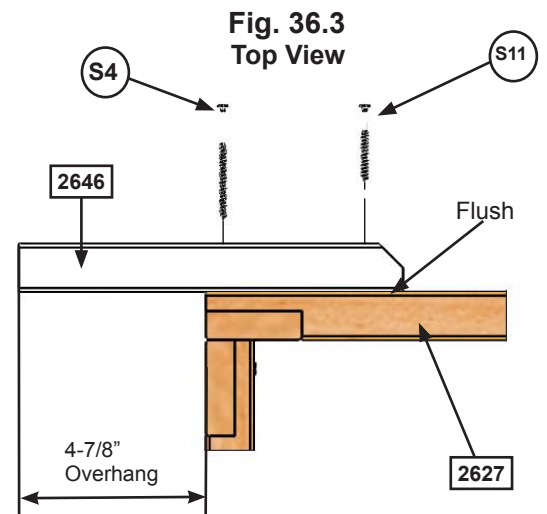


Fig. 36.3  
Top View

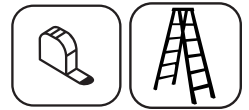
### Wood Parts

- 1 x 2646 Roof End 1-1/4 x 3 x 10"
- 1 x 2647 Roof End Left 1-1/4 x 3 x 10"

### Hardware

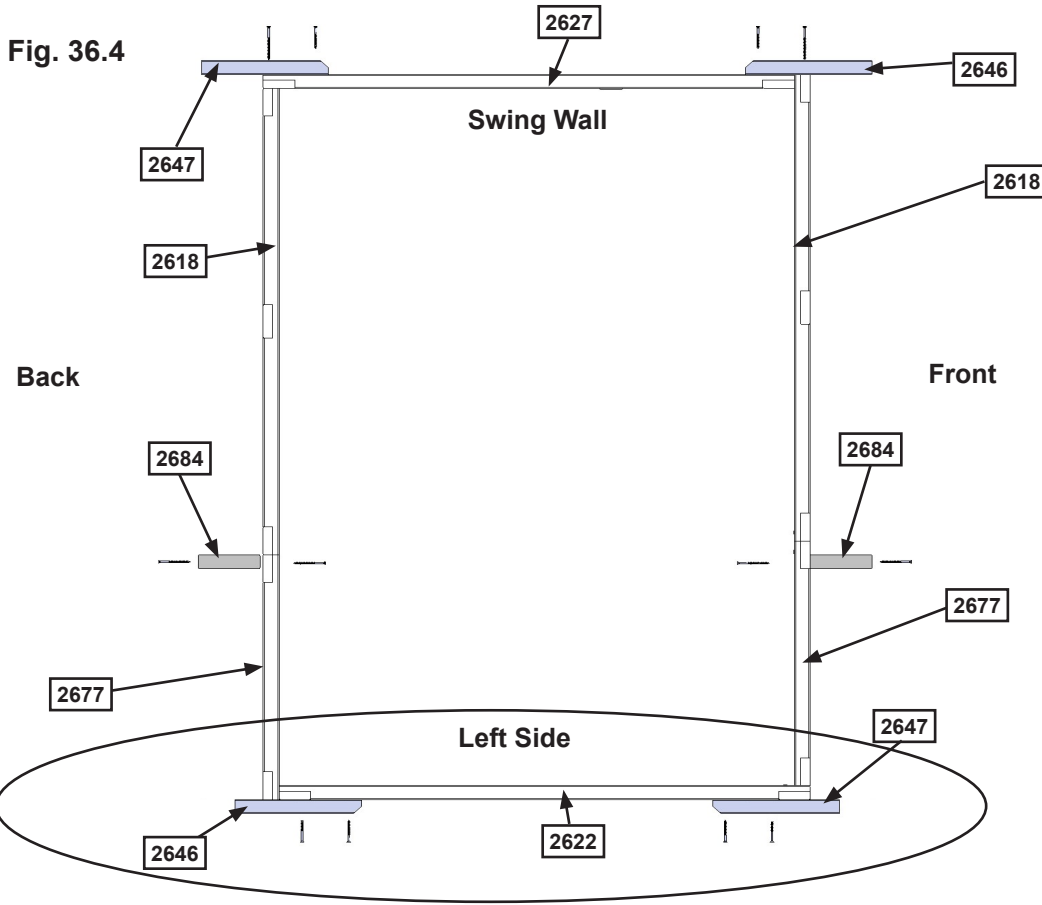
- 2 x S4 #8 x 3" Wood Screw
- 4 x S11 #8 x 2" Wood Screw

# Step 36: Attach Roof Ends Part 2

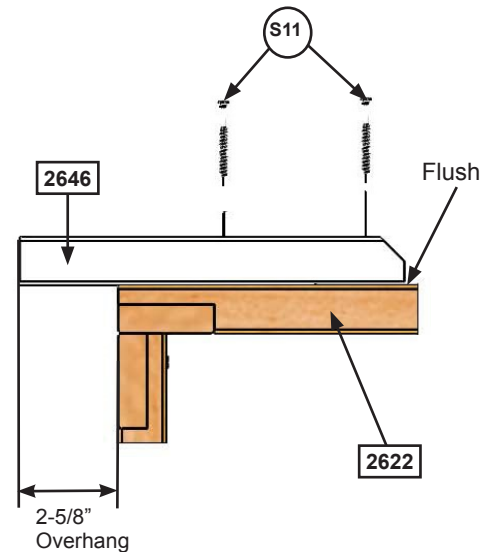


**C:** On (2622) End Panel Assembly place 1 (2646) Roof End flush to the top of the panel on the right hand side, measure overhang so it is 2-5/8" then attach with 3 (S11) #8 x 2" Wood Screws. (fig. 36.5, 36.5 and 36.6)

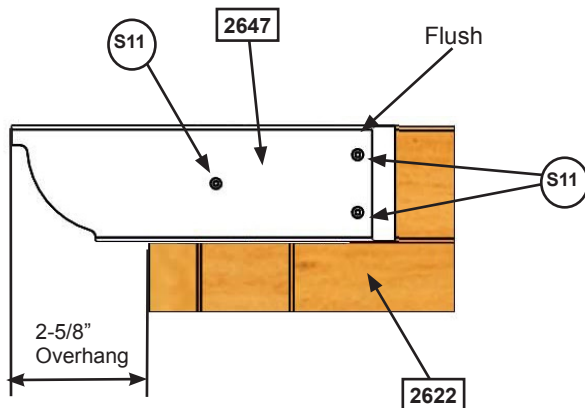
**D:** Repeat Step C for 1 (2647) Roof End Left. (fig. 36.4, 36.5 and 36.6)



**Fig. 36.6**  
Top View



**Fig. 36.5**  
Side View



### Wood Parts

- 1 x 2646 Roof End 1-1/4 x 3 x 10"
- 1 x 2647 Roof End Left 1-1/4 x 3 x 10"

### Hardware

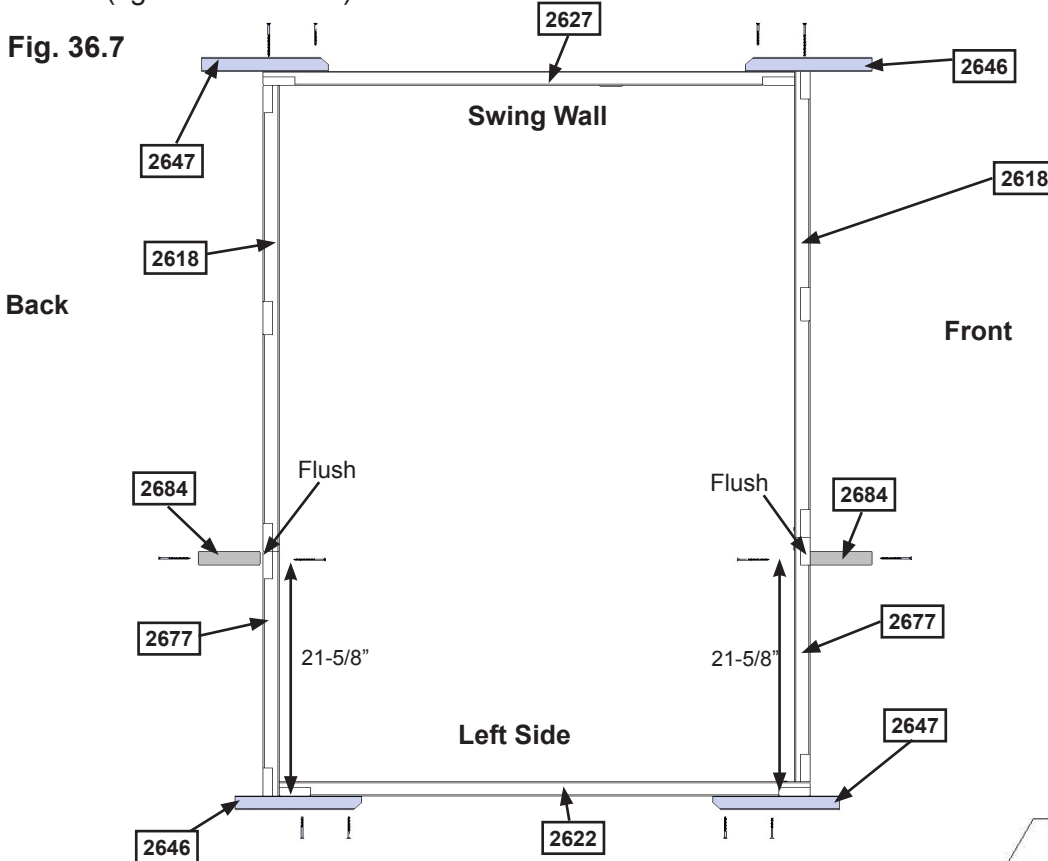
- 6 x S11 #8 x 2" Wood Screw

# Step 36: Attach Roof Ends Part 3

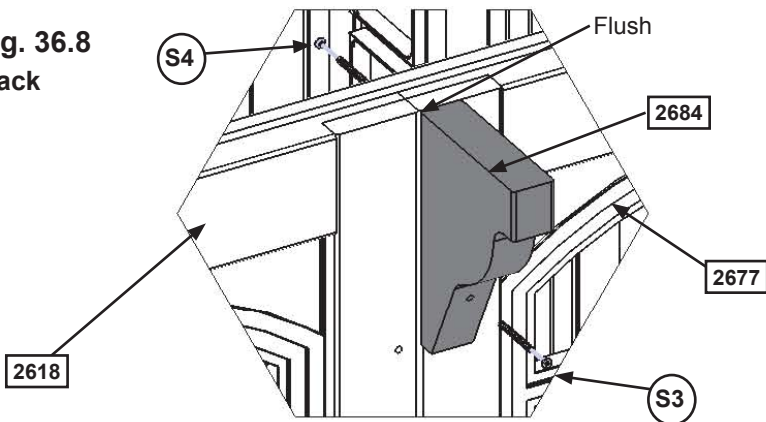


**E:** On the Back of the fort measure 21-5/8" from (2646) Roof End and 1-1/4" down from the top of the panel, pre-drill with a 3/16" drill bit then place 1 (2684) Mid Roof End centred over the pilot hole and flush to the top of the panel attach from the inside with 1 (S4) #8 x 3" Wood Screw and from the outside with 1 (S3) #8 x 2-1/2" Wood Screws. (fig. 36.7 and 36.8)

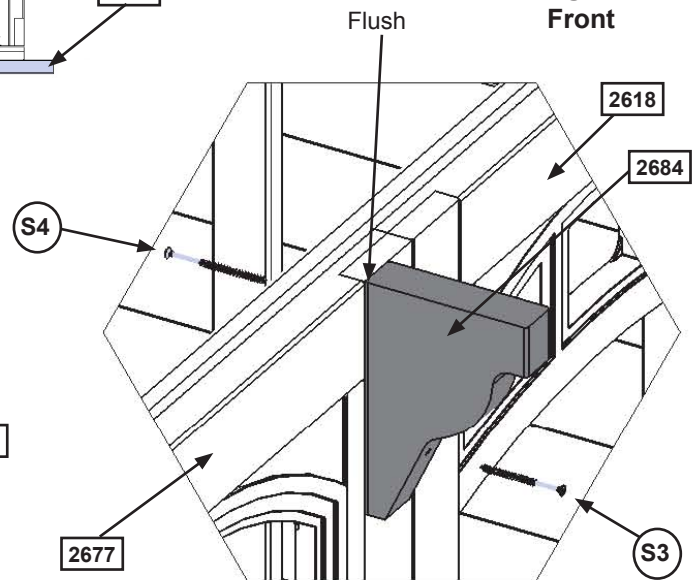
**F:** On the Front of the fort measure 21-5/8" from (2647) Roof End Left and 1-1/4" down from the top of the panel, pre-drill with a 3/16" drill bit then place 1 (2684) Mid Roof End centred over the pilot hole and flush to the top of the panel and attach from the inside with 1 (S4) #8 x 3" Wood Screw and from the outside with 1 (S3) #8 x 2-1/2" Wood Screws. (fig. 36.7 and 36.9)



**Fig. 36.8  
Back**



**Fig. 36.9  
Front**



### Wood Parts

2 x 2684 Mid Roof End 1-1/4 x 4-7/8 x 7"

### Hardware

2 x S3 #8 x 2-1/2" Wood Screw

2 x S4 #8 x 3" Wood Screw



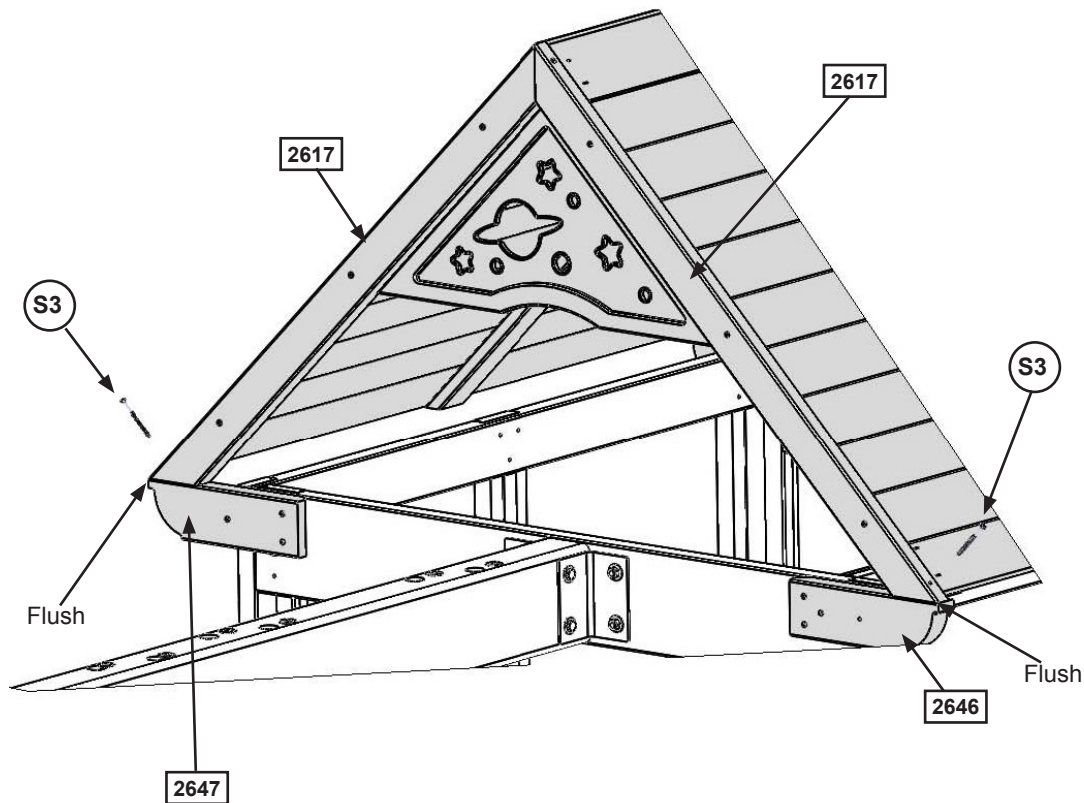
# Step 37: Attach Roof Assemblies to Fort Part 1




**A:** With 2 people on the ground and at least 1 person in the fort, lift the Large Roof Assembly up and over the Back side of the fort. Guide the Roof Assembly onto the fort so all four (2617) Roof Supports sit flush to the front and outside edges of (2646) Roof End and (2647) Roof End Left. (fig. 37.1)

**B:** Attach (2617) Roof Supports to (2646) Roof End and (2647) Roof End Left with 1 (S3) #8 x 2-1/2" Wood Screw per support. (fig. 37.1)

Fig. 37.1



## Hardware

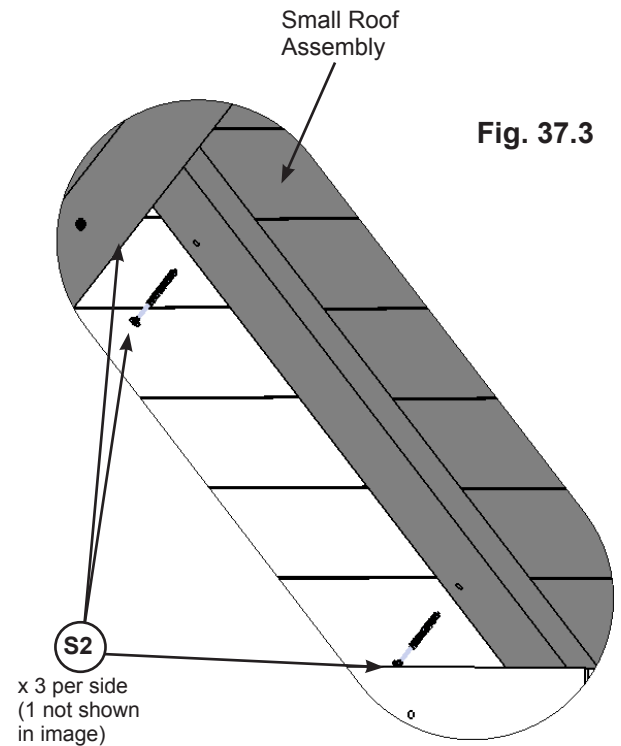
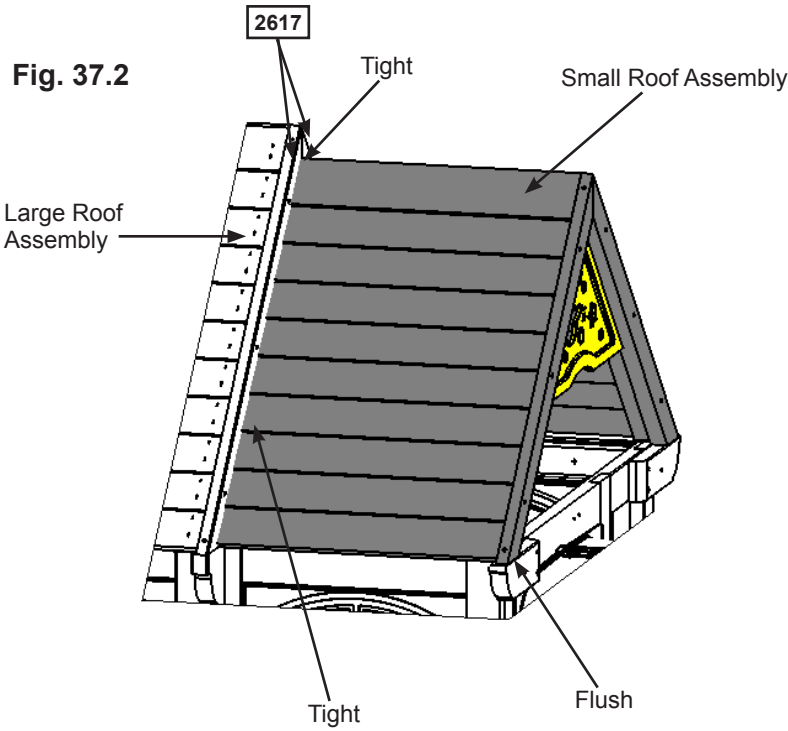
2 x  #8 x 2-1/2" Wood Screw

# Step 37: Attach Roof Assemblies to Fort Part 2



**C:** With 2 people on the ground and at least 1 person in the fort, lift the Small Roof Assembly up and over the Back side of the fort. Guide the Small Roof Assembly onto the fort so it slides under the Large Roof Assembly and the (2617) Roof Supports sit tight to the siding on the Small Roof Assembly. (fig. 37.2)

**D:** Attach Small Roof Assembly to Large Roof Assembly from inside with 3 (S2) #8 x 1-1/2" Wood Screws per side. Screws to go into (2617) Roof Supports. (fig. 37.3)



### Hardware

6 x (S2) #8 x 1-1/2" Wood Screw

# Step 37: Attach Roof Assemblies to Fort Part 3



**E:** Attach (2617) Roof Supports to both (2684) Mid Roof Ends with 1 (S3) #8 x 2-1/2" Wood Screw per support. (fig. 37.4 and 37.5)

**F:** Attach (2680) Roof Supports to (2646) Roof End and (2647) Roof End Left with 1 (S3) #8 x 2-1/2" Wood Screw per support. (fig. 37.4 and 37.5)

Fig. 37.4

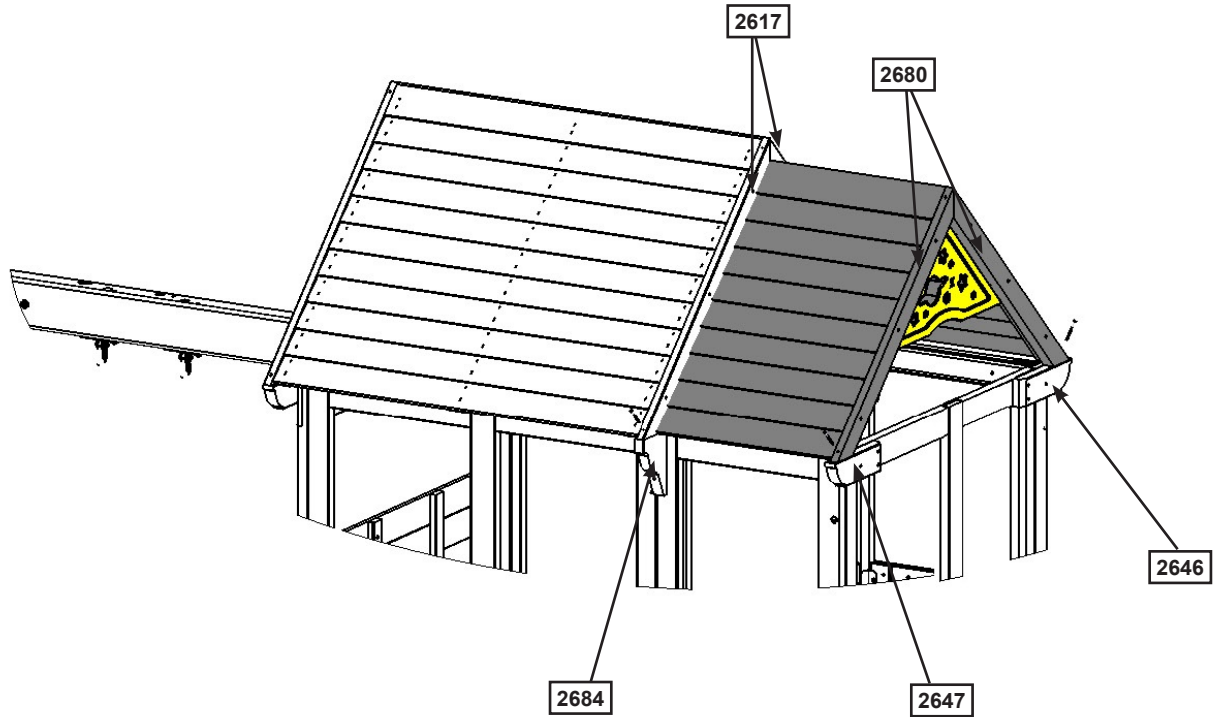
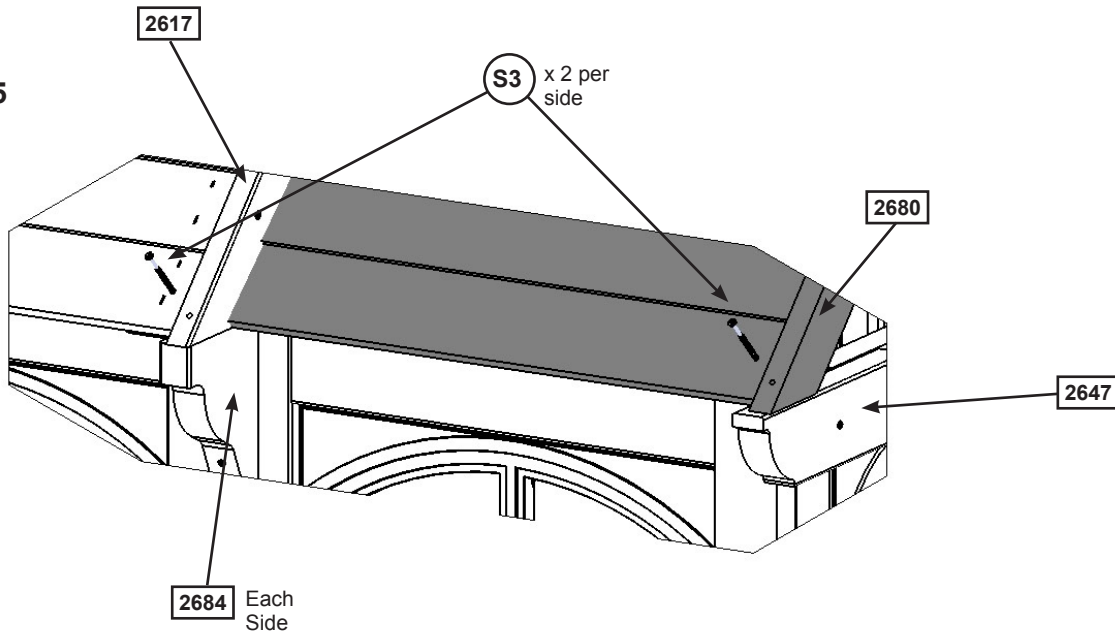



Fig. 37.5



### Hardware

4 x  #8 x 2-1/2" Wood Screw

# Step 38: Attach Flags

A: Place 2 Flags on Front of the assembly on (2677) Narrow Panel and (2618) Front Back Panel as shown below and attach with 2 (S10) #8 x 1" Pan Screws per flag. (fig. 38.1 and 38.2)

Fig. 38.1

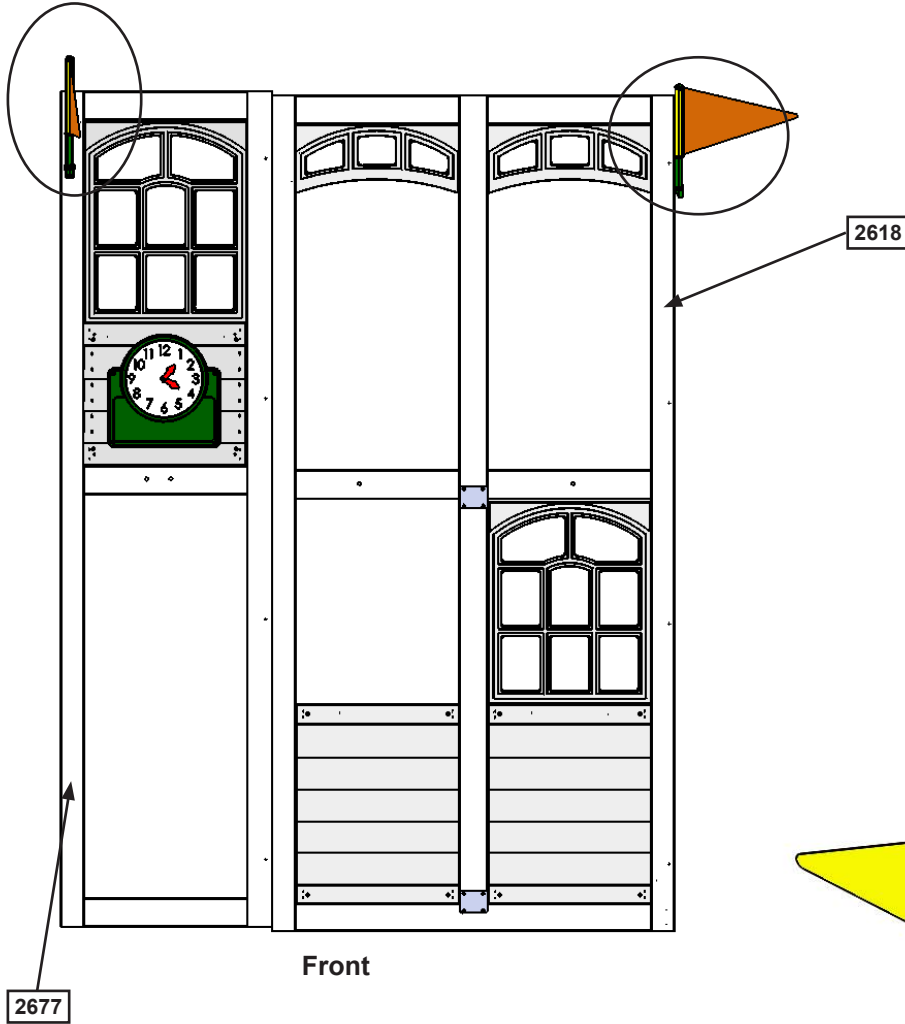
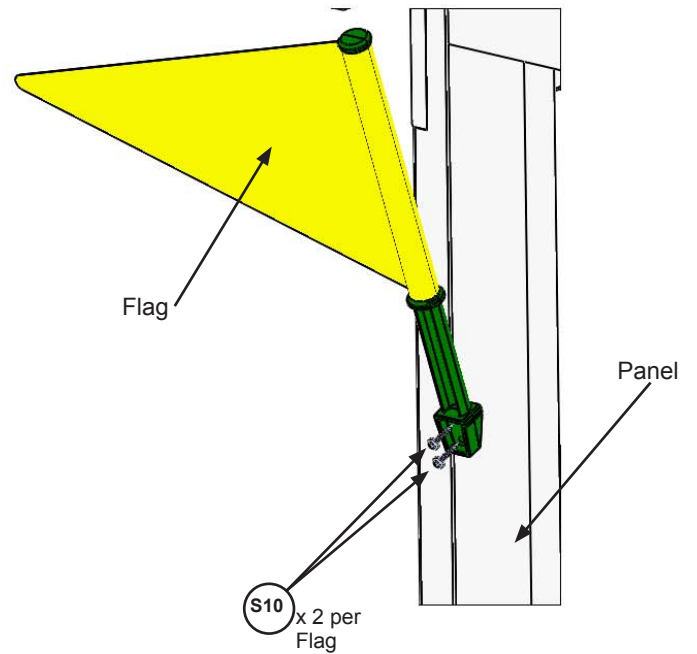


Fig. 38.2



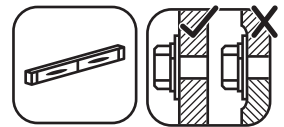
## Hardware

4 x (S10) #8 x 1" Pan Screw

## Other Parts

2 x Flag

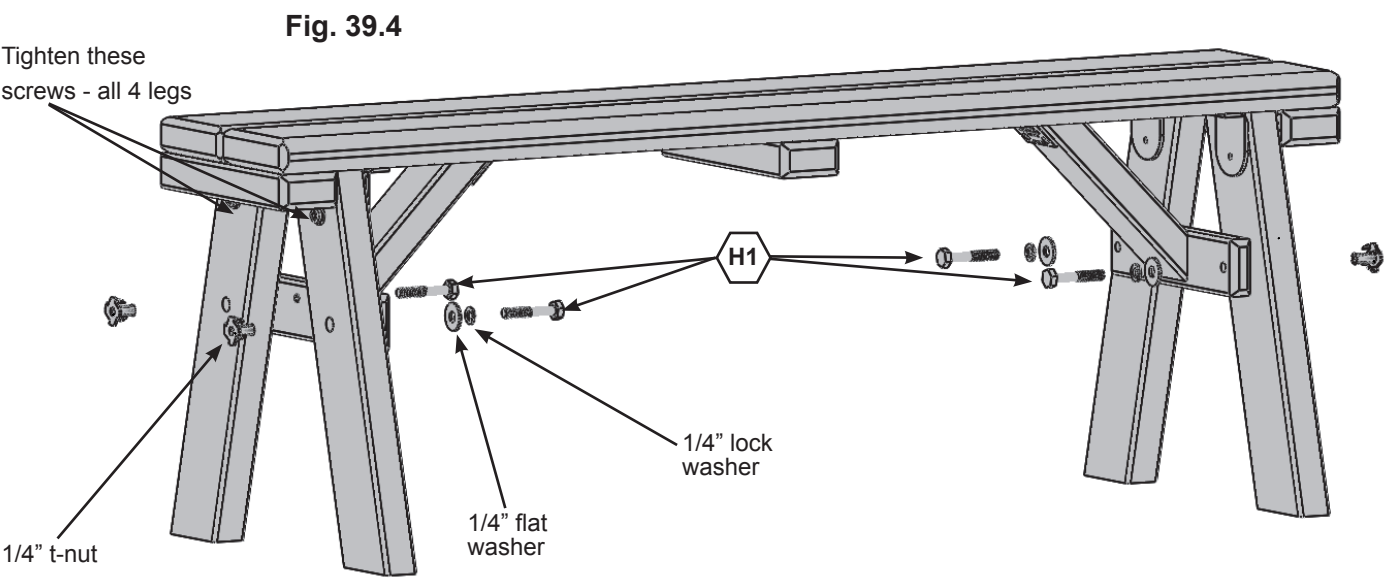
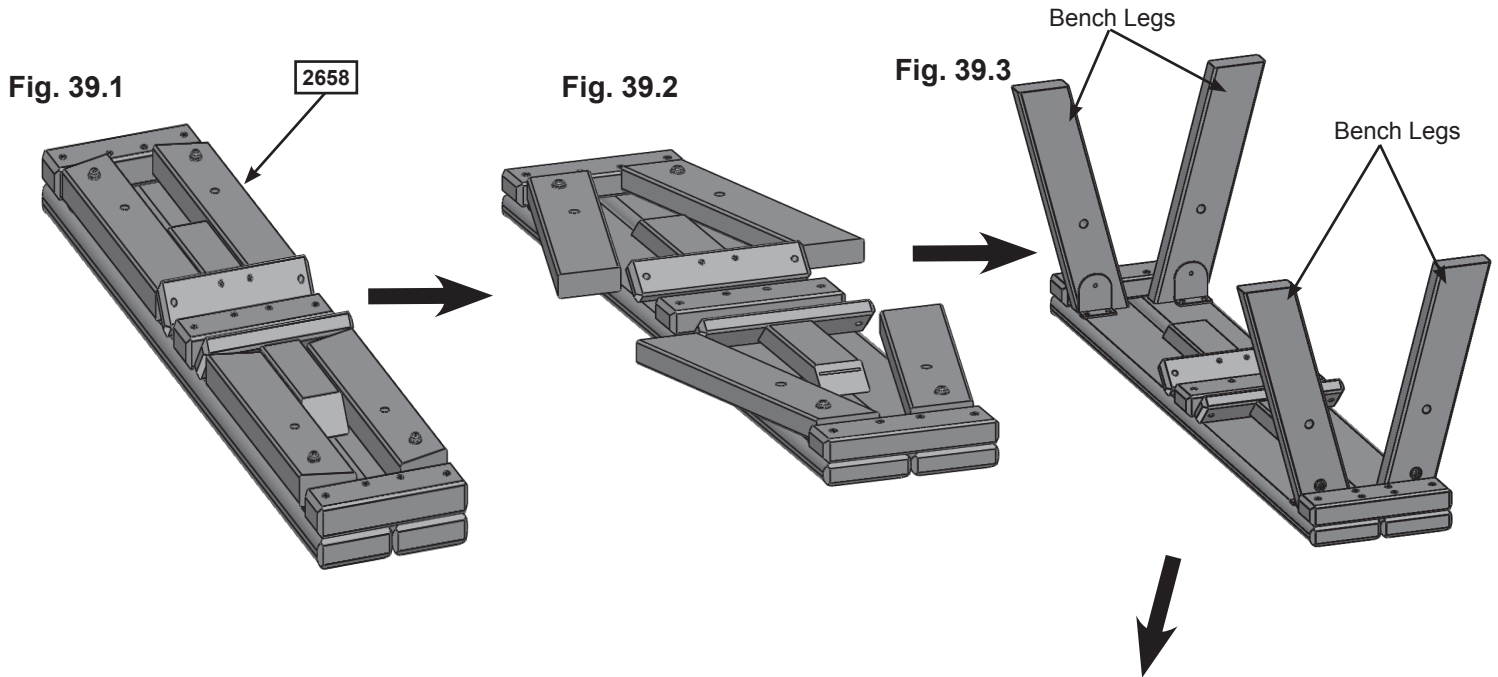
# Step 39: Bench Assembly



**A:** Open the (2658) Folding Bench Assembly. (fig. 39.1, 39.2 and 39.3)

**B:** Make sure assembly is level then secure with 2 (H1) 1/4 x 1-1/2" Hex Bolts (with lock washer, flat washer and t-nut) per side. (fig. 39.4)

**C:** Tighten the top screws in all 4 Bench Legs. (fig. 39.4)



## Wood Parts

1 x 2658 Folding Bench 2-13/32 x 6-3/4 x 34"

## Hardware

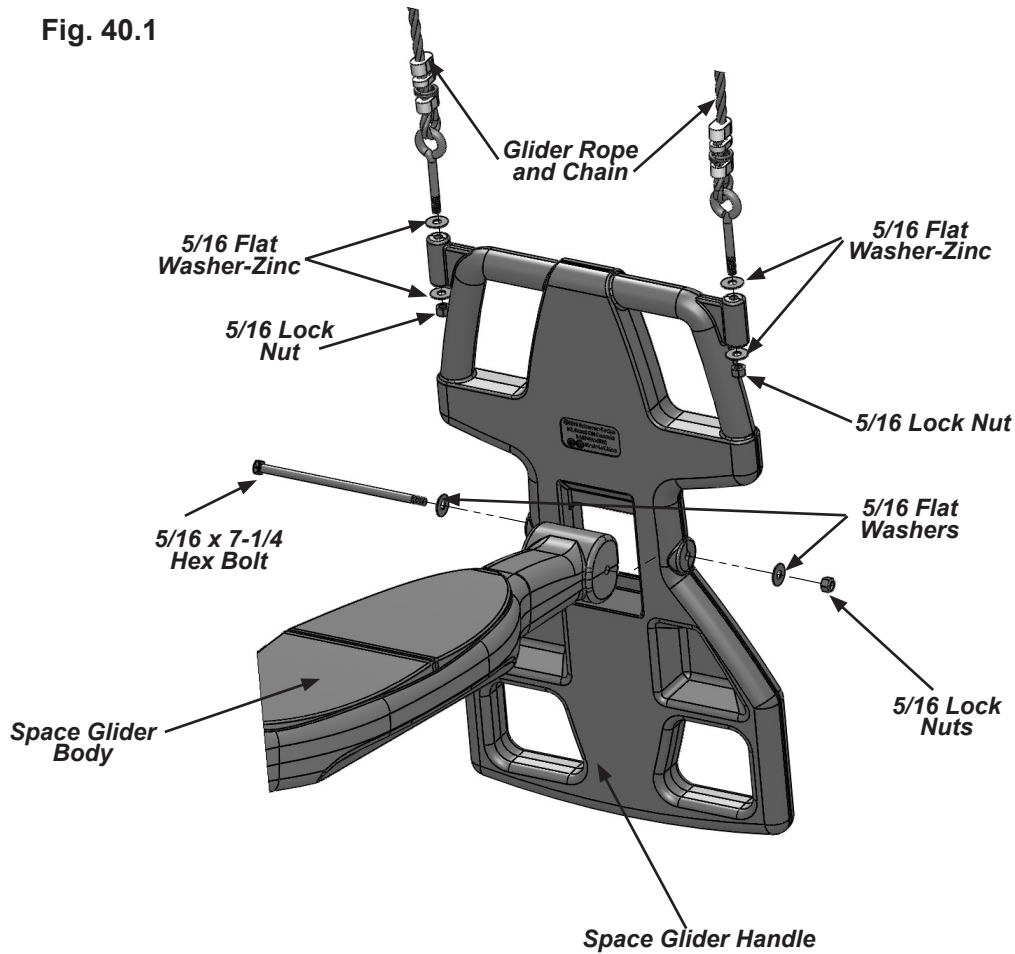
4 x H1 1/4 x 1-1/2" Hex Bolt  
(1/4" lock washer, 1/4" flat washer, 1/4" t-nut)

# Step 40: Glider Assembly

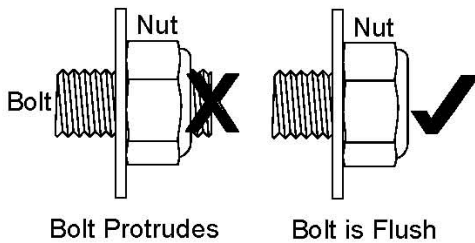
**A:** Attach 1 Space Glider Handle to the Space Glider Body using 1 (G25) 5/16 x 7-1/4" Hex Bolt (with 2 flat washers and 1 lock nut). Repeat for the second Space Glider Handle. (fig. 40.1)

**B:** Install 2 Glider Rope with Chains into each Space Glider Handle using 2 - 5/16" Flat Washers and 1 Lock Nut per rope. (fig. 40.1)


Fig. 40.1



**Warning!** Bolt must not exceed 1/2 thread past the nut



### Hardware

- 2 x  5/16 x 7-1/4" Hex Bolt  
(5/16" flat washer x 2, 5/16" lock nut)
- 8 x 5/16" Flat Washer
- 4 x 5/16" Lock Nut

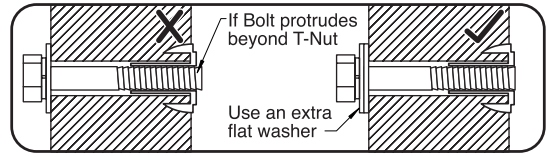
### Other Parts

- 2 x Space Glider Handle
- 1 x Space Glider Body
- 1 x Glider Rope and Chain (pkg of 4)



# Step 41: Attach Belt Swings and Glider

**Warning!** Check entire play centre for bolts protruding beyond t-nuts. Use extra washers to eliminate this condition.



**A:** Attach 2 Belt Swings and assembled Space Glider to the hangers then tighten all Quick Links with an adjustable wrench. (fig. 41.1 and 41.2)

Fig. 41.1

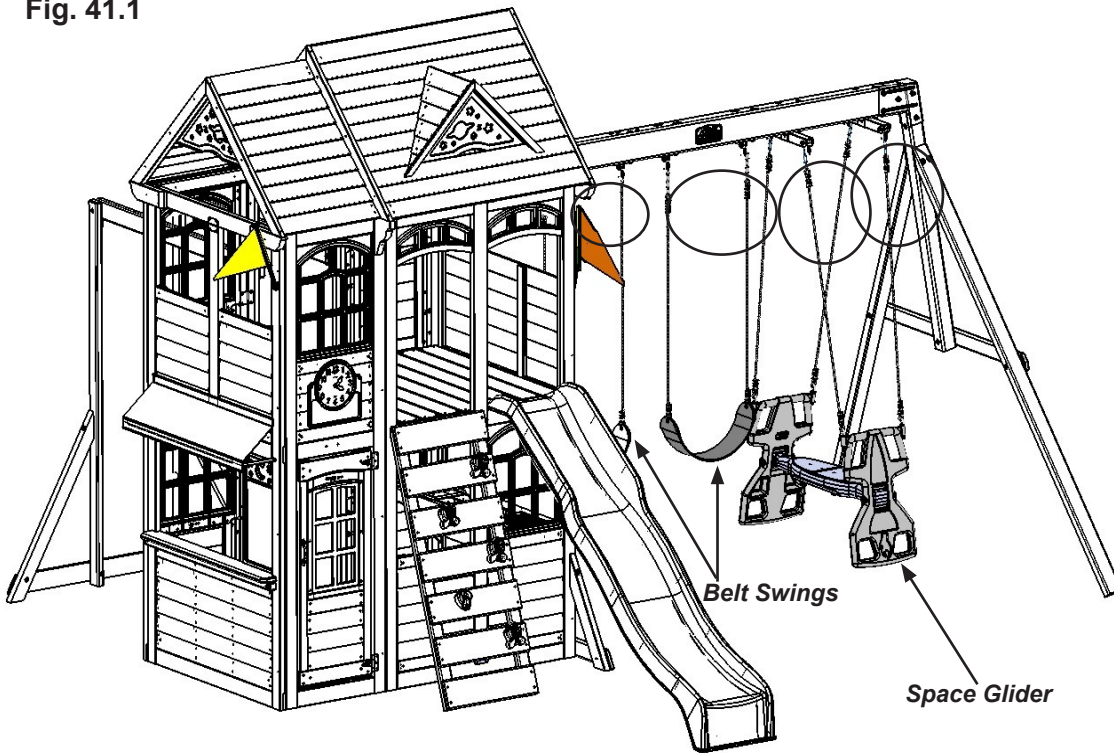
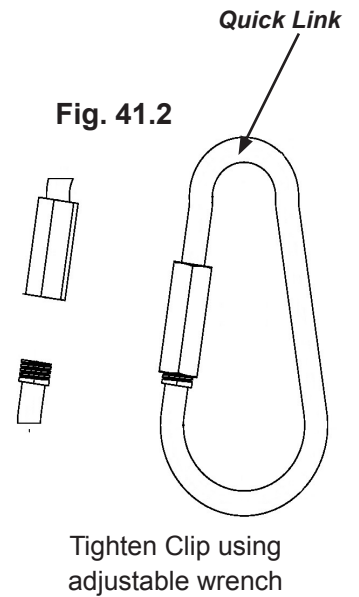


Fig. 41.2



**Other Parts**  
2 x Belt Swings

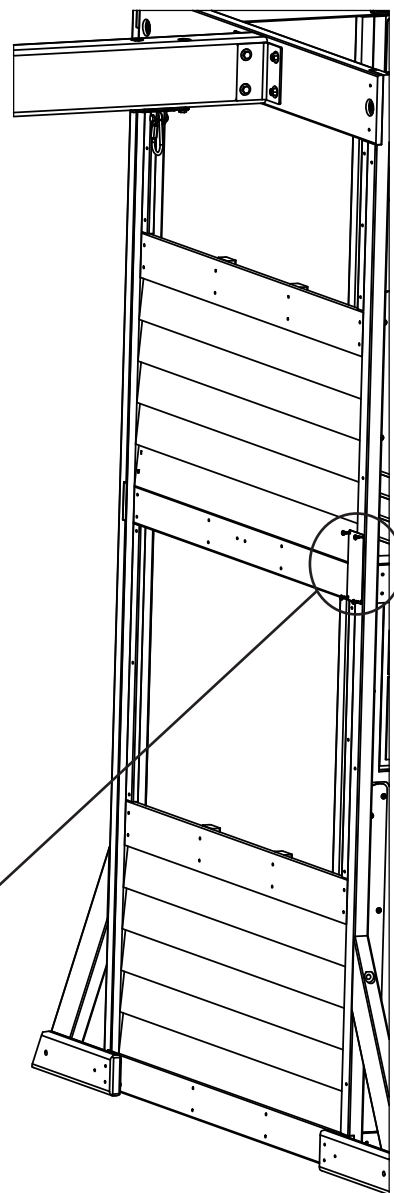
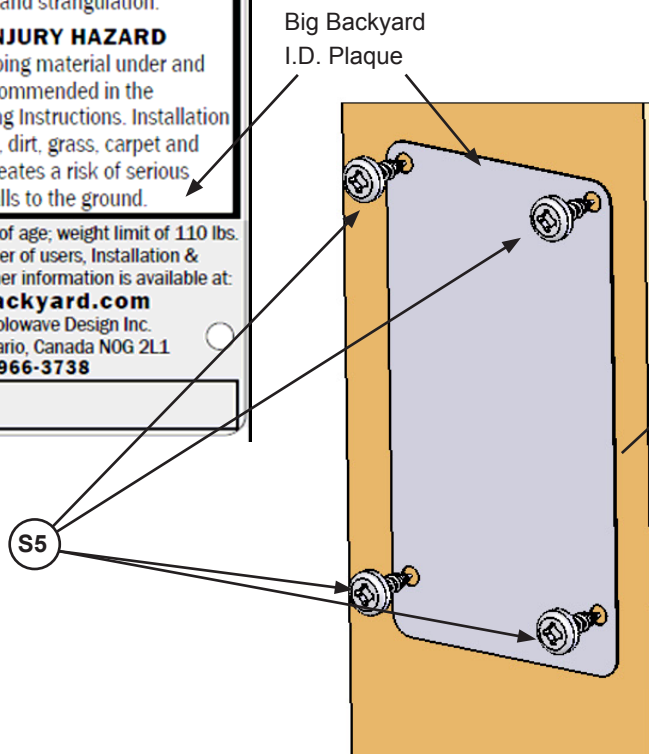
# Final Step: Attach I.D. Plaque

## ATTACH THIS WARNING & I.D. PLAQUE TO THIS LOCATION ON YOUR PLAY EQUIPMENT!

This provides warnings concerning safety and important contact information. A Tracking Number is provided to allow you to get critical information or order replacement parts for this specific model.



A: Attach Big Backyard I.D. Plaque to a location on your set that is easily seen and read by a supervising adult using 4 (S5) #8 x 1/2" Pan Screws as shown below.



### Hardware

4 x  #8 x 1/2" Pan Screw

### Other Parts

1 x Big Backyard I.D. Plaque



# BIG BACKYARD Consumer Registration Card

First Name Initial Last Name

Street Apt. No.

City State/Province ZIP/Postal Code

Country Telephone Number

E-Mail Address

Model Name Model Number (Box Labels)

Serial Number (on ID Plaque)

Date Purchase Purchased From

MM / DD / YY

How would you rate this product for quality?  
 Excellent  Very Good  Average  Below Average  Poor

How would you rate this product for ease of assembly?  
 Excellent  Very Good  Average  Below Average  Poor

How would you rate our instructions?  
 Excellent  Very Good  Average  Below Average  Poor

How would you rate the quality of packaging?  
 Excellent  Very Good  Average  Below Average  Poor

Would you recommend the purchase of our products to friends and family?  
 Yes  No

Comments:

**MAIL TO:**  
Solowave Design™  
375 Sligo Road W.  
Mount Forest, Ontario, Canada  
NOG 2L0  
Attention: Customer Service



Fill out your registration card online at  
[www.bigbackyard.com/ownerslounge](http://www.bigbackyard.com/ownerslounge)  
Big Backyard would like to say Thank You for  
your time and feedback.

