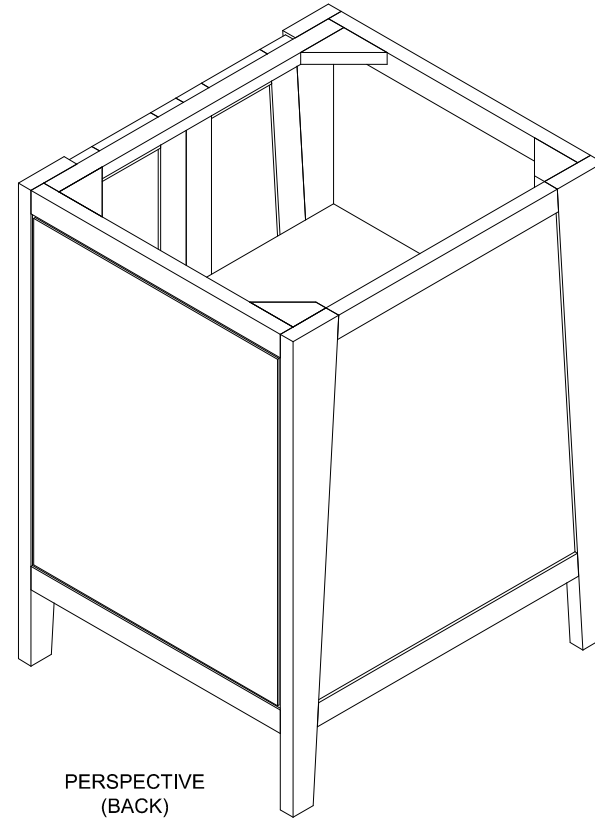


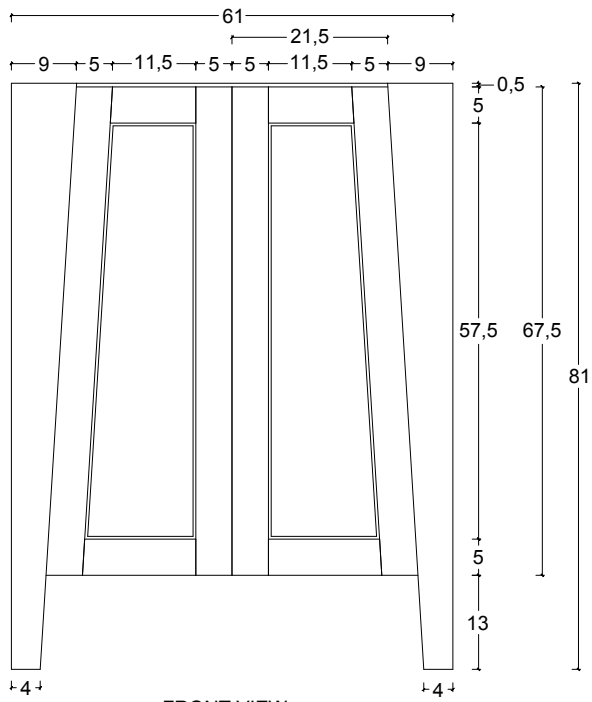
PERSPECTIVE
(FRONT)



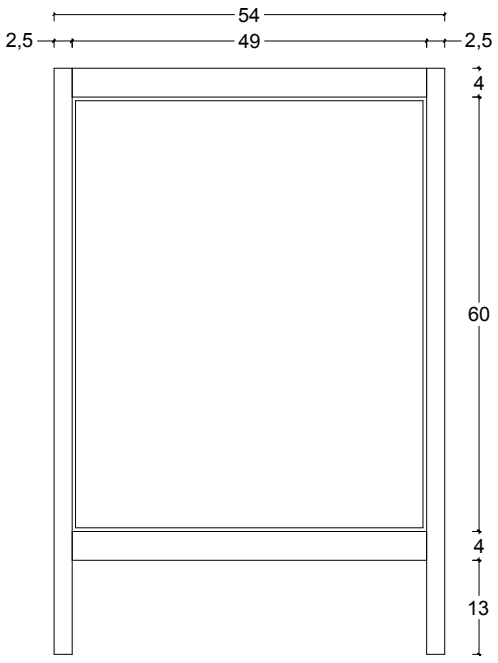
PERSPECTIVE
(BACK)

Confidential All Right Reserved. No manufacturing or distribution with out permission of E&T Horizons, USA

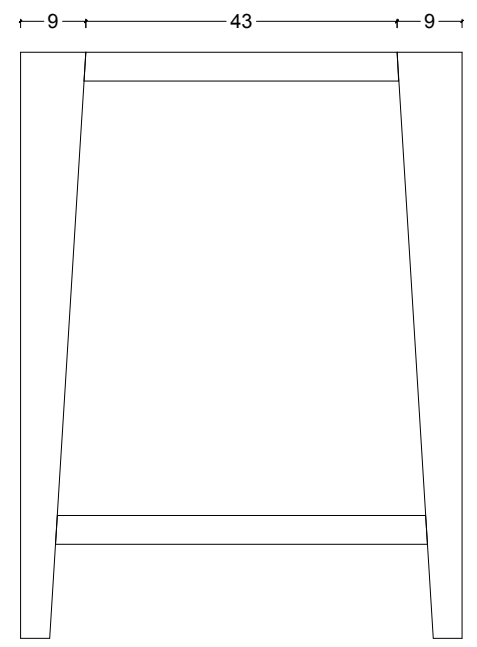
| | | | | | | |
|---|-----------------|---------------|---------------|-------------|----------------|--------|
| DESCRIPTION : | SIZE : | REVIEWED BY : | PREPARED BY : | DATE : | REVISED DATE : | PAGE : |
| SIGNIFICADO LEGS 24" W SOFT CLOSE ST-BT-24 | 61 * 54 * 81 Cm | | E&T Horizons | 04 NOV 2017 | | 1 |



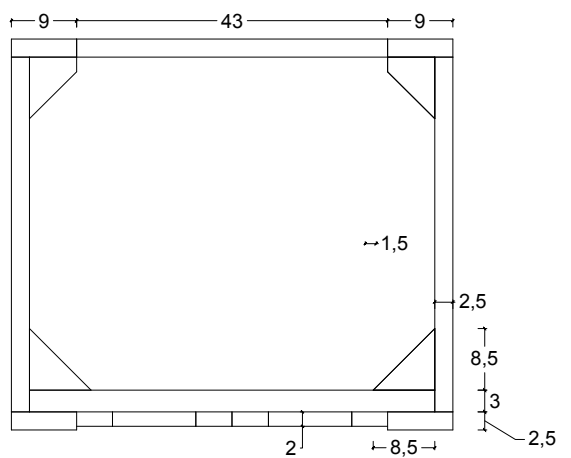
FRONT VIEW



SIDE VIEW



BACK VIEW



TOP VIEW

Confidential All Right Reserved. No manufacturing or distribution with out permission of E&T Horizons, USA

| DESCRIPTION : | SIZE : | REVIEWED BY : | PREPARED BY : | DATE : | REVISED DATE : | PAGE : |
|---|-----------------|---------------|---------------|-------------|----------------|--------|
| SIGNIFICADO LEGS 24" W SOFT CLOSE ST-BT-24 | 61 * 54 * 81 Cm | | E&T Horizons | 04 NOV 2017 | | 2 |