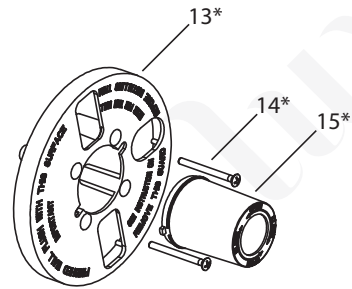
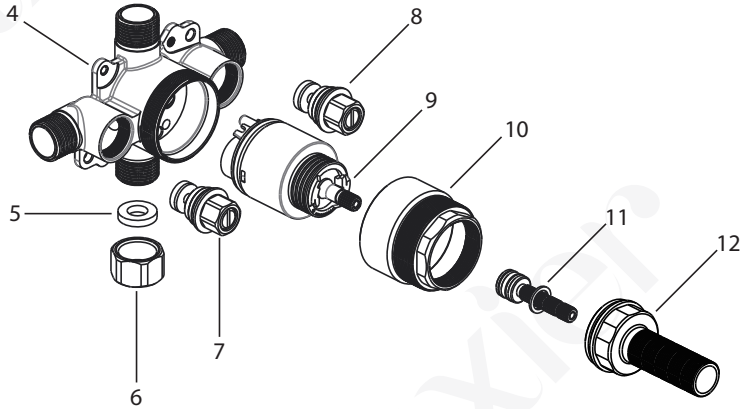
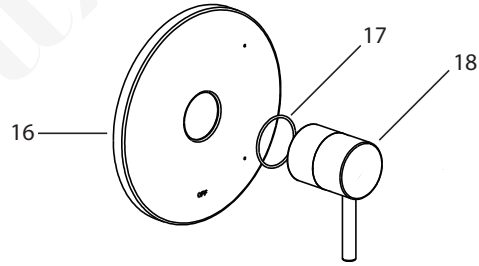
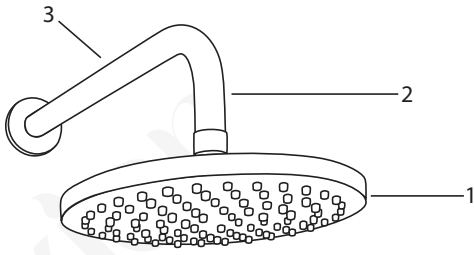
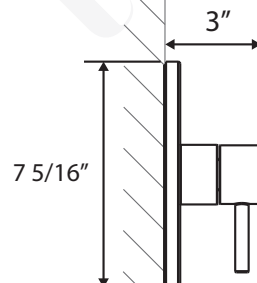
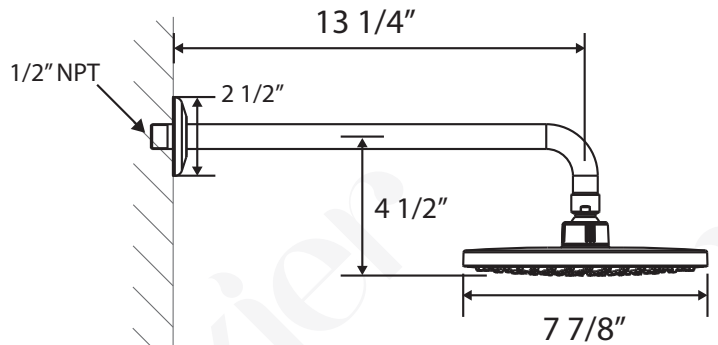


# Parts Diagram & Dimensions



- 01 Shower Head
- 02 Shwoer Arm
- 03 Flange
- 04 Valve Body
- 05 Rubber Gasket
- 06 Cap
- 07 Stop Valve
- 08 Stop Valve
- 09 Pressure Balance Cartridge
- 10 Cartridge Nut
- 11 Stem Extension
- 12 Threaded Nipple
- 13 Protective Cover\*
- 14 Temporary Screws\*
- 15 Protective Sleeve\*
- 16 Escutcheon
- 17 O-Ring
- 18 Handle



\* will not be used in final installation

\* Drawings not to Scale. All Measurements are Approximate \*