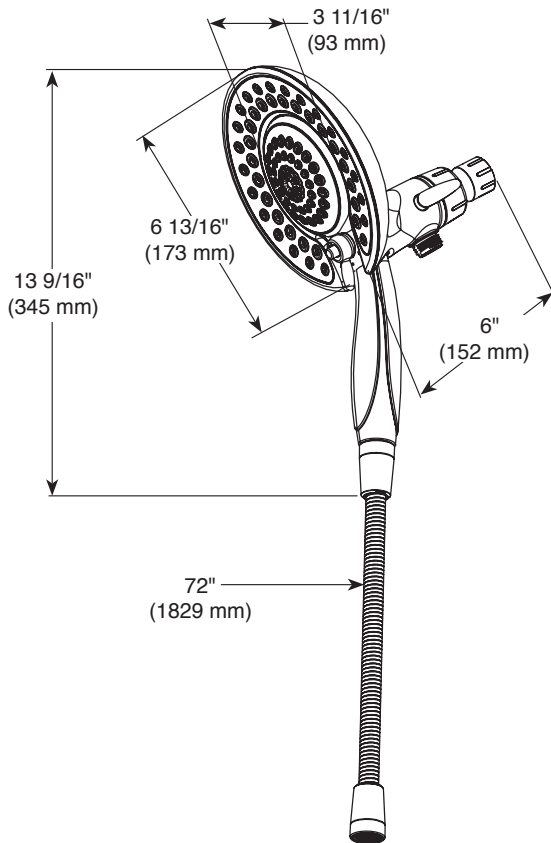


75583C▲

Submitted Model No.: _____

Specific Features: _____

75583C▲ 1.75 GPM



Full Body Spray



Slow Massage



Fast Massage



Full Spray w/ Massage



Pause

▲ Designate proper finish suffix

Delta reserves the right (1) to make changes in specifications and materials, and (2) to change or discontinue models, both without notice or obligation. Dimensions are for reference only. See current full-line price book or www.deltafaucet.com for finish options and product availability.

DSP-B-75583C Rev. A



see what Delta can do™

IN2ITION®

- 2-In-1 Shower
- 5-Spray Setting Hand Shower

FEATURES:

- Touch-Clean® Nozzles

STANDARD SPECIFICATIONS:

- Maximum 1.75 gpm @ 80 psi, 6.6 L/min @ 550 kPa
- Integrated handshower docks securely into showerhead when not in use
- 3-Way diverter allows use of handshower only, showerhead only, or both on at one time
- Fixed showerhead with 8" extra-wide spray
- Matching plated face and push-button pause control, lever to change sprays, easy single-handed operation
- 72" (1829 mm) stainless steel hose
- Hand held shower with five spray settings - pause is a non-positive shut-off

WARRANTY

- Lifetime limited warranty on parts (other than electronic parts and batteries) and finishes; or, for commercial users, for 5 years from the date of purchase.
- 5 year limited warranty on electronic parts (other than batteries); or for commercial users, for 1 year from the date of purchase. No warranty is provided on batteries.



COMPLIES WITH

- ASME A112.18.1 / CSA B125.1
- EPA WaterSense®

Delta Faucet Company

55 E. 111th Street, Indianapolis, IN 46280
 350 South Edgeware Road, St. Thomas, ON N5P 4L1
 © 2017 Delta Faucet Company