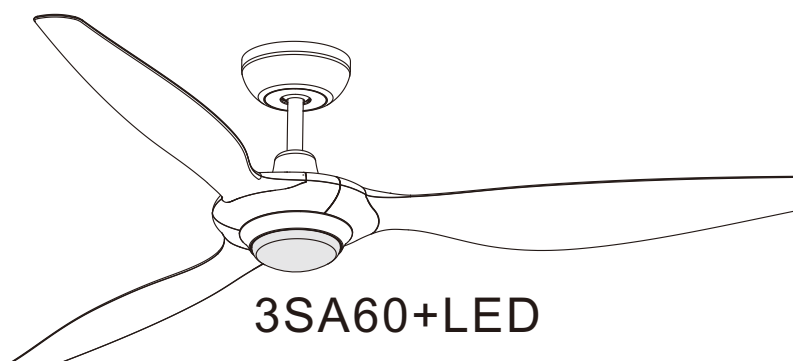
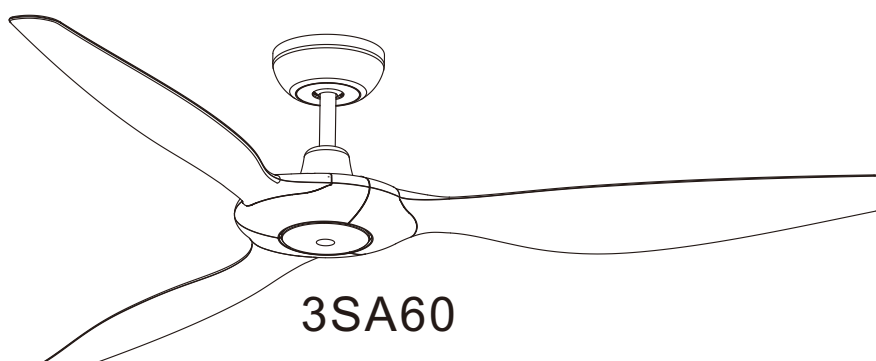


# Owners Manual

**TroposAir**

Vogue & Vogue Plus



This instruction contains 11 pages:

Page 1: Foreword

Page 2~3: Unpack and inspect parts contained

Page 4~5: Notes before installation and Hanging system installation

Page 5~6: Wire connection

Page 7: Blade installation and Canopy installation and Light kit installation

Page 8: Remote setting

Page 9~11: Troubleshoot



Net weight

8.7 KGS.

19.0 LBS.

Toll Free: 1-855-676-7247

**WARNING** : Read and follow these instructions carefully and be mindful of all warnings shown throughout.

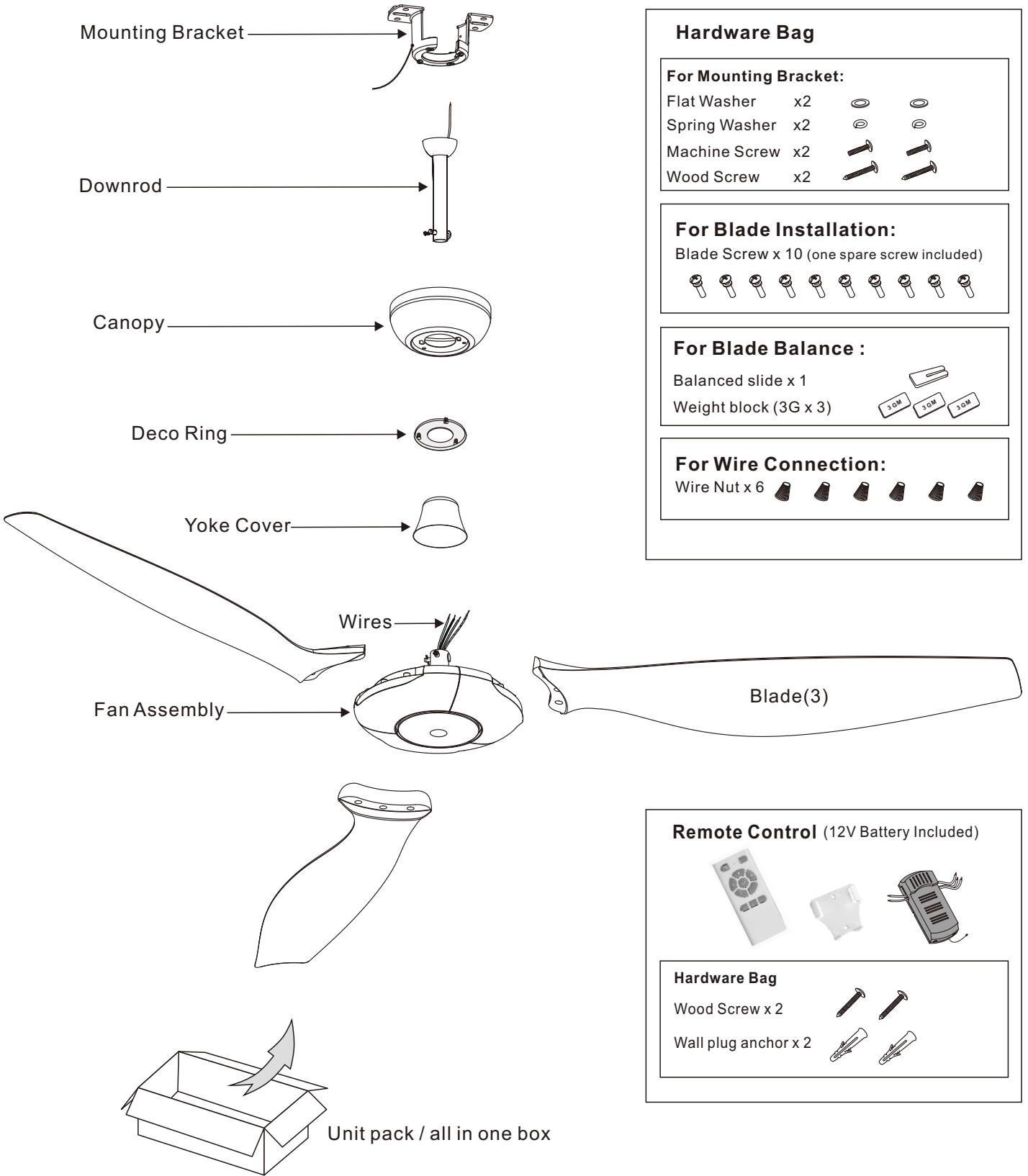
# READ AND SAVE THESE INSTRUCTIONS

**WARNING : TO REDUCE THE RISK OF FIRE, ELECTRICAL SHOCK, OR INJURY TO PERSONS, PLEASE OBSERVE THE FOLLOWING :**

- 1]. To ensure the success of the installation, be sure to read the instructions and review the diagrams thoroughly before beginning.
- 2]. **To avoid possible electric shock, be sure electricity is turned off at the main power box before wiring.**  
All electrical connections must be made in accordance with local codes, ordinances and/or the National Electric Code. If you are unfamiliar with the methods of installing electrical wiring and products, require the services of a qualified and licensed electrician as well as someone who can check the strength of the supportive ceiling members and make the proper installations and connections.
- 3]. Make sure that your installation site will not allow rotating fan blades to come in contact with any object. Blades should be at least 7 feet from floor when fan is in operation.
- 4]. If possible, mount ceiling fan on a ceiling joist - the joist must be able to support the motion and weight of the moving fan. If the fan will be mounted on a ceiling outlet box, a 4" x 2-1/8" deep METAL octagon box is required ; on UL listed as " suitable for fan support ". The box and its supporting members must not be able to twist or work loose. **DO NOT USE PLASTIC BOXES.** Installation on a concrete ceiling should be performed by qualified personnel.
- 5]. Blades should be attached after motor housing is hung and in place. Fan motor housing should be kept in carton until ready to be installed to protect its finish. If you are installing more than one ceiling fan, make sure that you do not mix fan blade sets.
- 6]. After making electrical connections, spliced conductors should be turned upward and pushed carefully up into outlet box. The wires should be spread apart with the grounded conductor and the equipment - grounding conductor on one side of the outlet box and the " HOT " wires on the other side.
- 7]. Electrical diagrams are for reference only.
- 8]. After fan is completely installed, check to make sure that all connections are secure to prevent fan from falling and/or causing damage or injury.
- 9]. The fan can be made to work immediately after installation. The bearings are adequately charged with grease, so that under normal conditions, further lubrication should not be necessary.
- 10]. **The fan is downrod mount only.**
- 11]. **This fan is reversible.**
- 12]. **This fan is suitable for damp location use.**

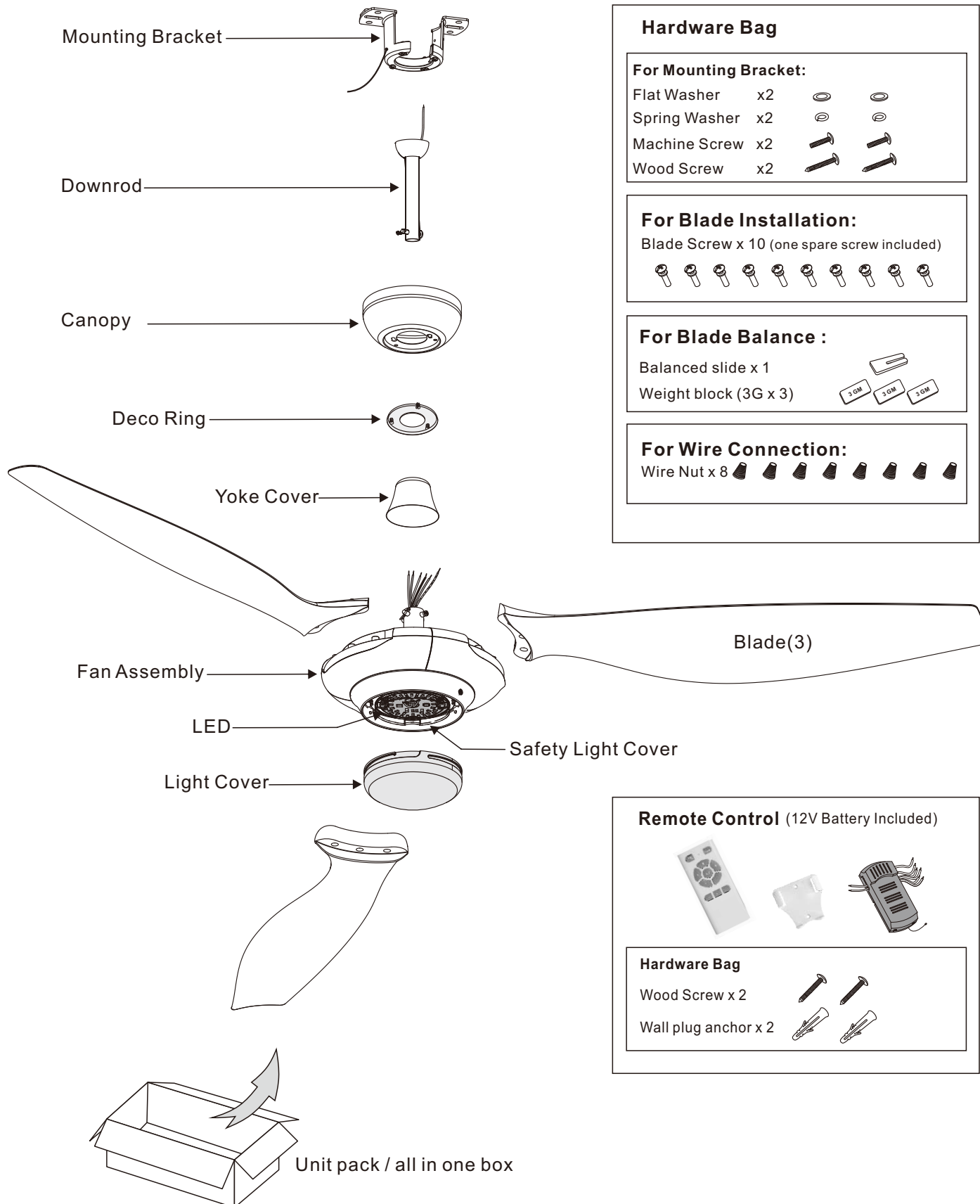
# Unpack and inspect fan carefully to be certain all contents are included.

## Without Light Kit



# Unpack and inspect fan carefully to be certain all contents are included.

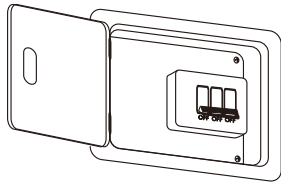
## With Light Kit



# WARNING: blades should be at least 7 feet from floor

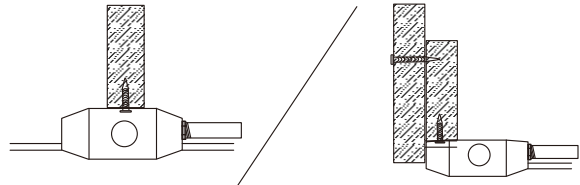
## Note 1:

Turn off power at breaker box to avoid possible electrical shock.



## Note 2:

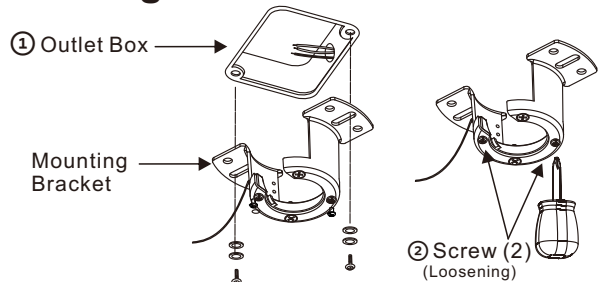
Use metal outlet box suitable for fan support. Outlet box must support 35 lbs min.



## 1. HANGING SYSTEM INSTALLATION

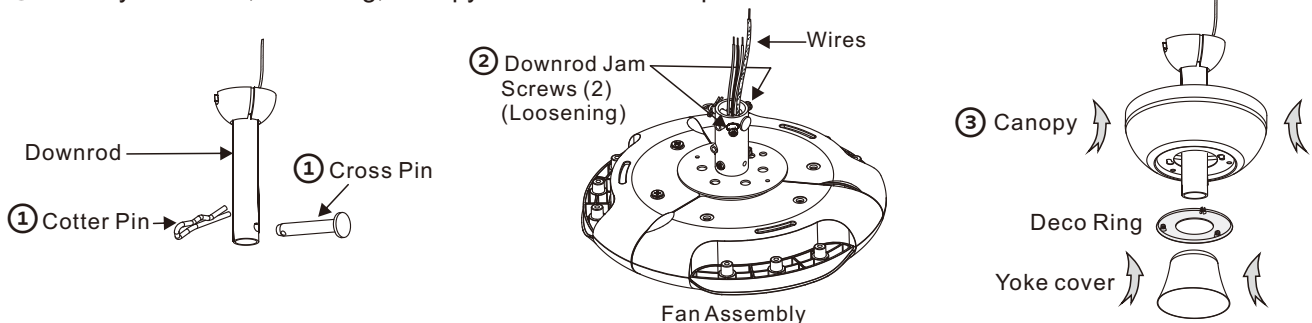
### 1A. Installing mounting bracket to ceiling outlet box

- 1 Install mounting bracket to outlet box in ceiling by using screws included with the outlet box and washers from the hardware bag.
- 2 Loosen the screws at mounting bracket.

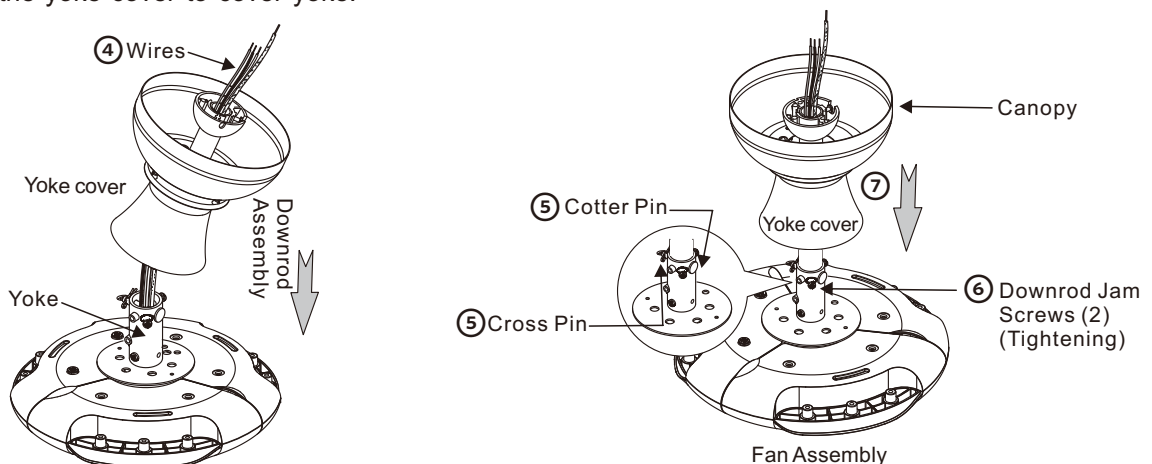


### 1B. Installing Downrod and Yoke

- 1 Remove cross pin and cotter pin from downrod.
- 2 Loosen 2 downrod jam screws at yoke.
- 3 Insert yoke cover, deco ring, canopy onto downrod as pictured below.

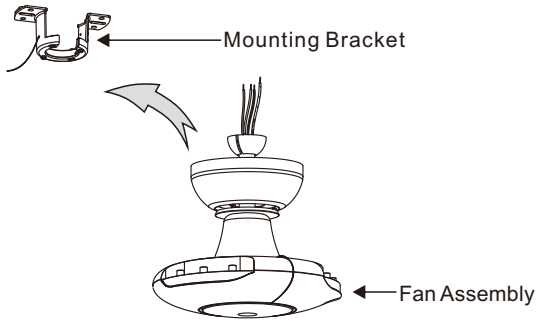


- 4 Feed motor lead wires through downrod.
- 5 Insert downrod assembly into yoke and insert the cross pin through yoke & downrod, secure with cotter pin.
- 6 Tighten both downrod jam screws to secure downrod.
- 7 Pull down the yoke cover to cover yoke.

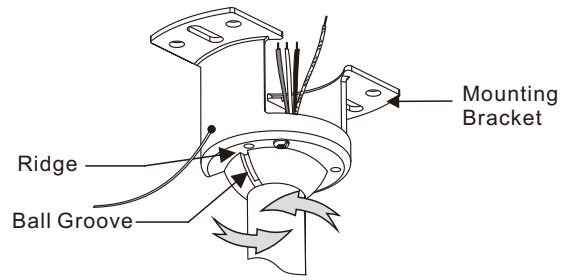


## 1C. Hanging the fan

① Lift fan assembly onto mounting bracket.



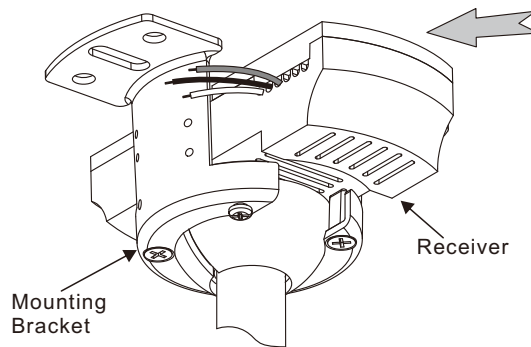
② Rotate fan so that the groove on the ball engages the ridge in the mounting bracket.



## 2. WIRE CONNECTION

### 2A. Insert receiver into mounting bracket

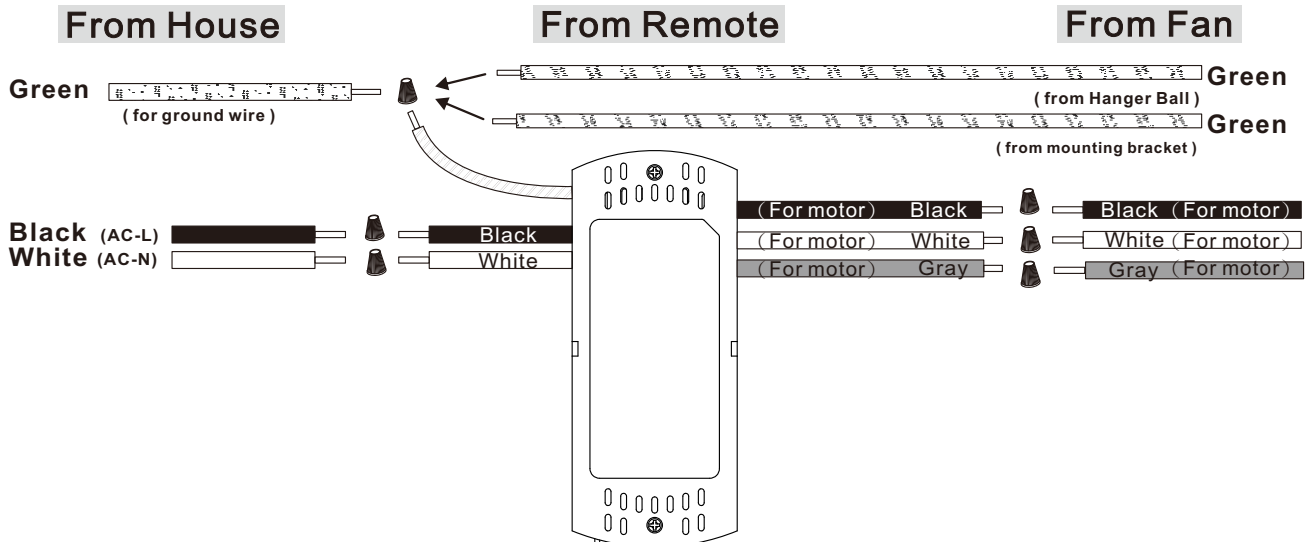
**NOTE:** Do not squeeze all the wires while inserting the receiver into the mounting bracket.



### 2B-1. Making electrical wire connection **FOR VOGUE (NO LIGHT)**

Follow diagram below and make sure that all exposed wires are secured inside wire nuts or terminal block.  
Note : Wires from house may vary in color and may not include ground wire ( green ).

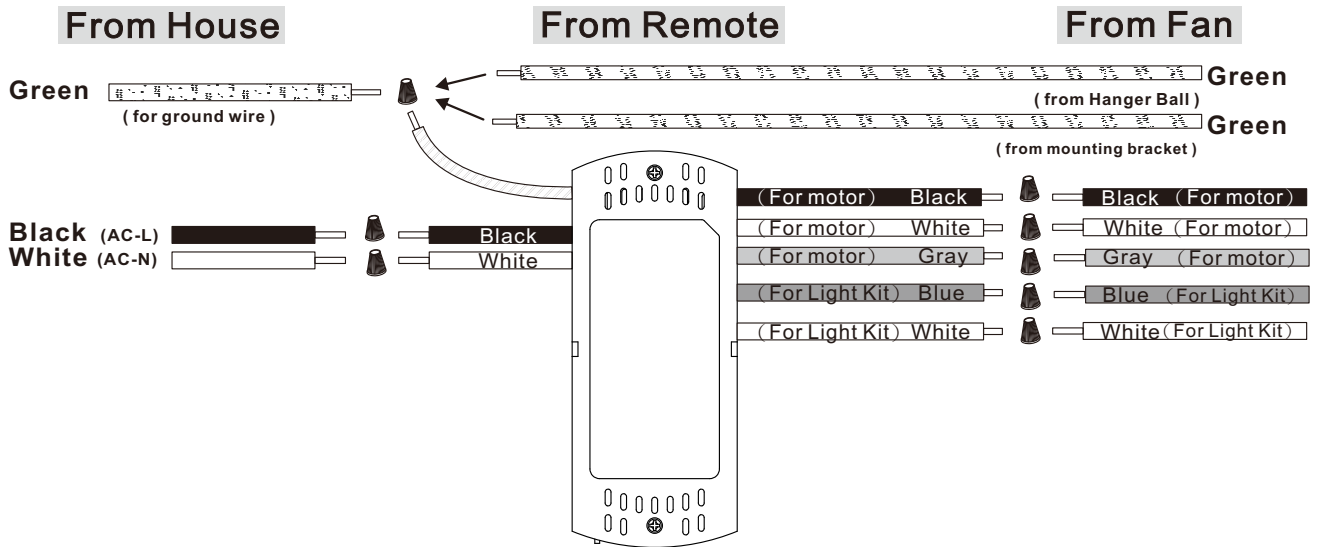
After wiring is completed, gently push wires into junction box with wire nuts pointing upward.



## 2B-2. Making electrical wire connection **FOR VOGUE PLUS (W/LIGHT)**

Follow diagram below and make sure that all exposed wires are secured inside wire nuts or terminal block.  
 Note : Wires from house may vary in color and may not include ground wire ( green ).

After wiring is completed, gently push wires into junction box with wire nuts pointing upward.

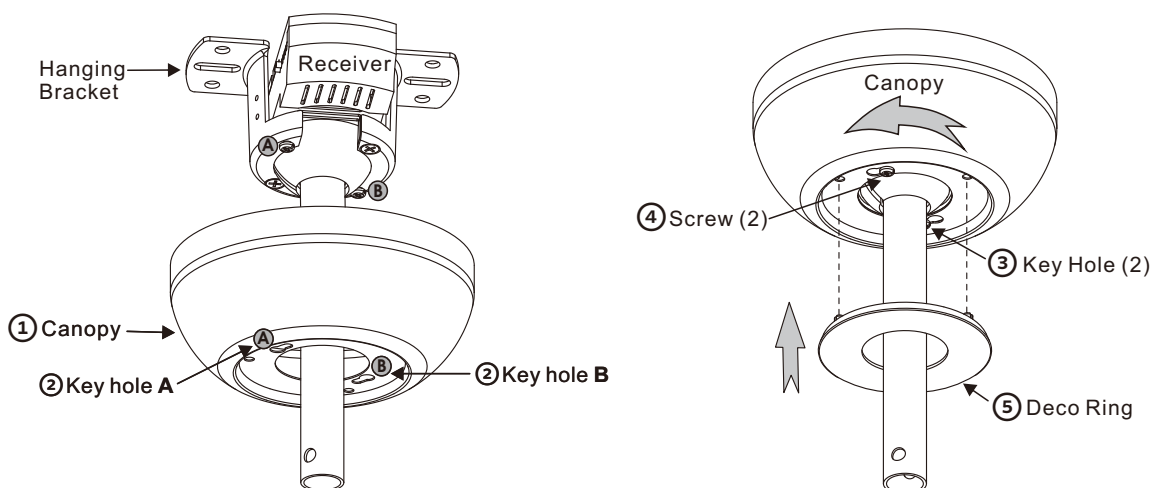


**“Special note: Green grounding wire(s) must be attached to Ground/Earth to prevent flickering of LEDs.”**

## 3. CANOPY INSTALLATION

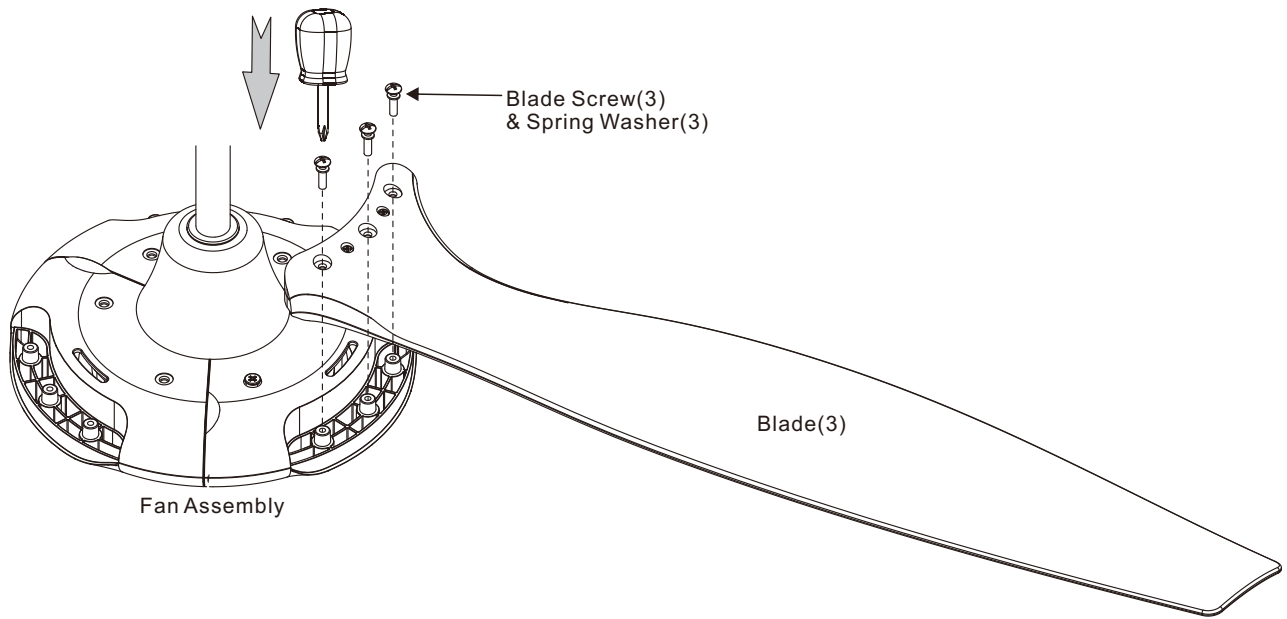
**Note:** Two screws are pre-installed on mounting bracket for canopy installation.

- ① Push up canopy until two screws pre-screwed on mounting bracket are engaged with two key holes on canopy.
- ② Before rotating the canopy, make sure Key hole A & B of the canopy correspond to A & B positions of the hanging bracket.
- ③ Rotate canopy slightly until two pre-installed screw heads are engaged in the narrow end of key holes.
- ④ Tighten both screws.
- ⑤ Aligning the nubs from Deco Ring to 3 holes on the canopy, push Deco Ring up and snap into the canopy.



## 4. BLADE INSTALLATION

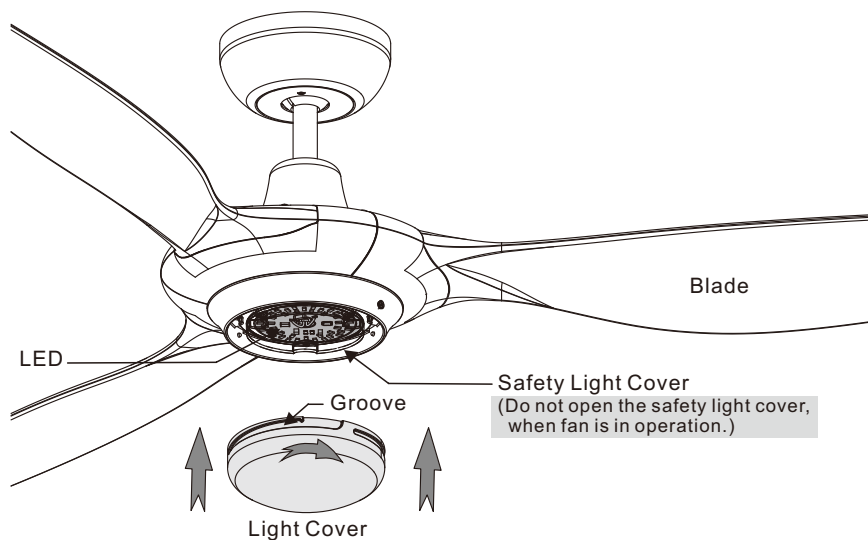
Attach blades to fan assembly by using screws provided from hardware bag.  
(\* Repeat until all 3 blades are installed firmly.)



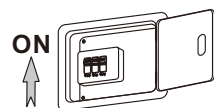
## INSTALLATION FOR LED LIGHT COVER

**FOR VOGUE PLUS (W/LIGHT)**

- ① LED already pre-installed.
- ② Align the grooves in the Light Cover to the tabs in the Collar and attach the Light Cover clockwise.



5. Turn on power at breaker box for remote setting.





# REMOTE CONTROL SETTING and OPERATION FOR DC MOTOR FANS

After completing the ceiling fan installation, install the 12V battery(included) in the hand-held Transmitter (see below FIG.2). Your fan is ready for remote control setting and operation.

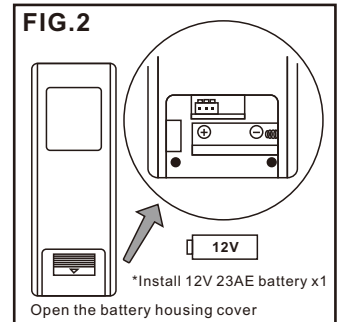
**\*NOTE:**

Your DC motor is equipped with an automatically learned type Remote control. The Remote control has been pre-set up and completed the learning/setting. The serial number sticker is paired on both Transmitter & Receiver. **PLEASE DO NOT MIX THE SERIAL NUMBER!** (See label on receiver and remote control cover.)



\*Remote

\*Receiver



**\*IMPORTANT :**

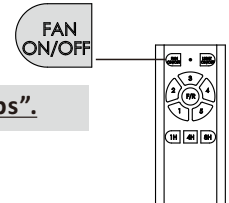
In the event the fan does not operate, repeat the remote control setting steps below.

(Once the fan assembly and wiring is completed and the fan operates properly, you may skip this SETTING step).

### Remote Control SETTING Process :

First, switch the main power off and make sure fan has completely stopped . Then switch the power on again, and immediately press and hold the **Fan On/Off button** for **8 seconds** until the Receiver "Beeps". **This process must be done within 20 seconds** of switching on the power.

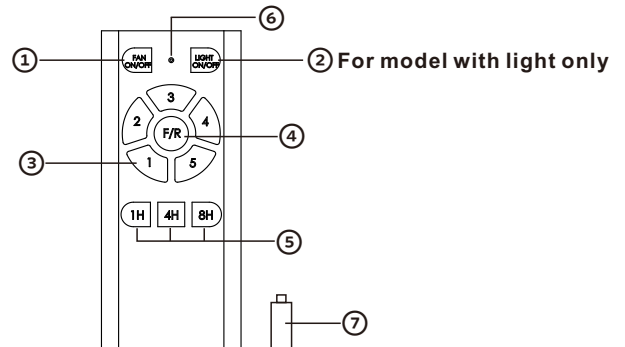
Press and hold the **Fan On/Off button** for **8 seconds** until the Receiver "Beeps".



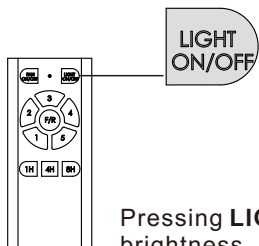
This fan has completed the settings successfully and the fan is ready for operation!

**Note:** Fan must be installed at a maximum distance of 32Ft. from the transmitting unit for proper signal transmission between the transmitting unit and the fan's receiving unit.

- ① ON/OFF - Fan
- ② ON/OFF - Light (3 steps dimming)
- ③ Fan Speed(1-Low Speed → 5 -High Speed)
- ④ Direction of the fan (reverse switch)
- ⑤ Fan control timer (1hr/4hrs/8hrs)
- ⑥ LED indicator light
- ⑦ 12V battery (included) x1



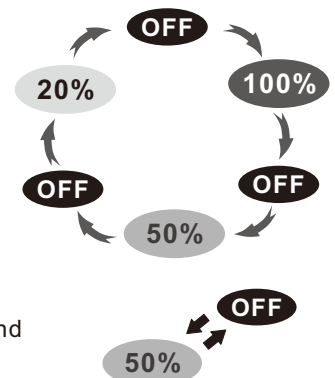
### Three Step Dimming by pressing light ON/OFF button twice for next step in dimming rotation function.



1. Press Light On/Off button for 100%
2. Press Light On/Off button twice for dimming to 50%
3. Press Light On/Off button twice for dimming to 20%

Pressing **LIGHT ON/OFF** button and it will cycle through the three steps of brightness.

Remote will remember the last brightness setting used. Pressing **LIGHT ON/OFF** button once and it will toggle the light between off and the last set brightness.



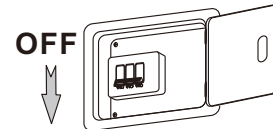
# Troubleshoot

In general, the fan control is preset and should function normally, even if there are more than one fan in the same area.

**In the event of mixed paired remote & receiver, please do the following.**

## Step 1. Make sure to turn off power at breaker box.

First, switch the main power off and make sure fan has completely stopped.

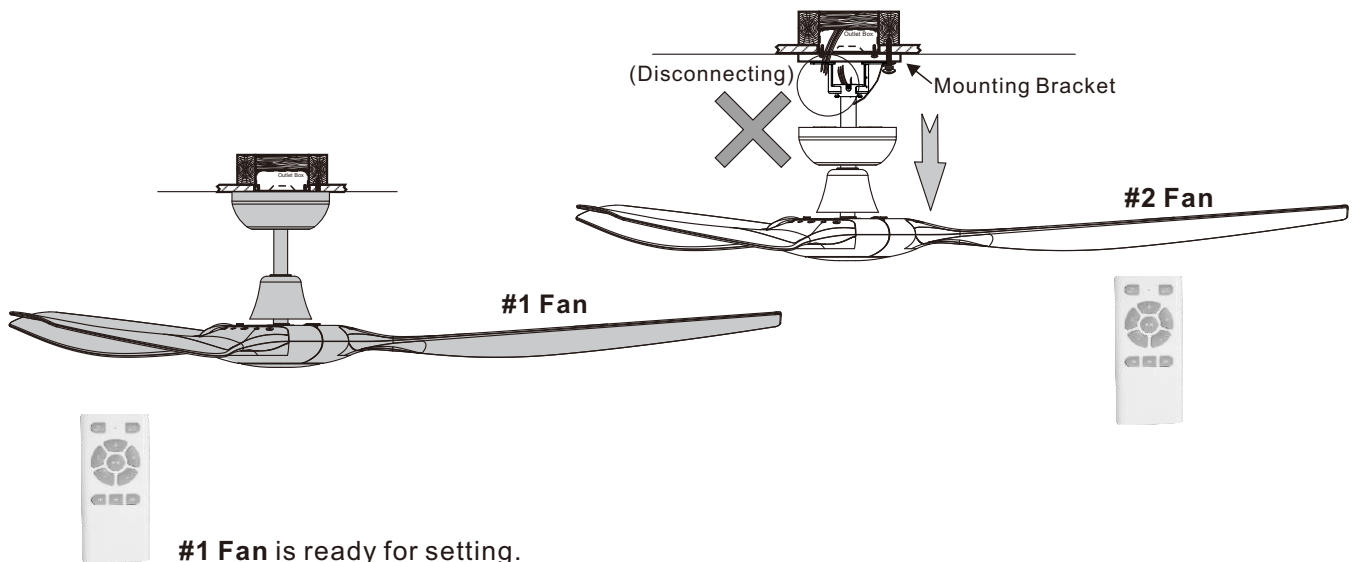


## Step 2. To set up remote for #1 Fan

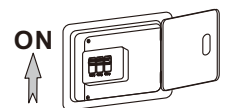
### 2-1. Disconnecting wire from #2 Fan

Before starting the remote control setting process, lower the canopy of #2 Fan and disconnect the Black wire. Put the wire nut on the black wire from the house

\*See the remote control setting process for **step 2-2 to set up #1 Fan.**



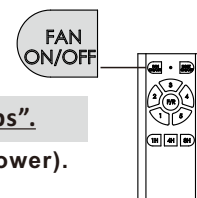
**Turn on power at breaker box and #1 Fan is ready for setting.**



### 2-2. Remote Control SETTING Process :

Press and hold the **Fan On/Off button** for **8 seconds** until the Receiver **"Beeps"**.

(\*NOTE: This process must be done within 20 seconds of switching on the power).

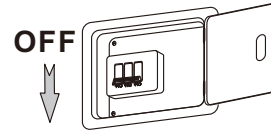


This fan has completed the settings successfully and the fan is ready for operation!

## Step 3. To set up remote for #2 Fan

### 3-1. Make sure to turn off power at breaker box.

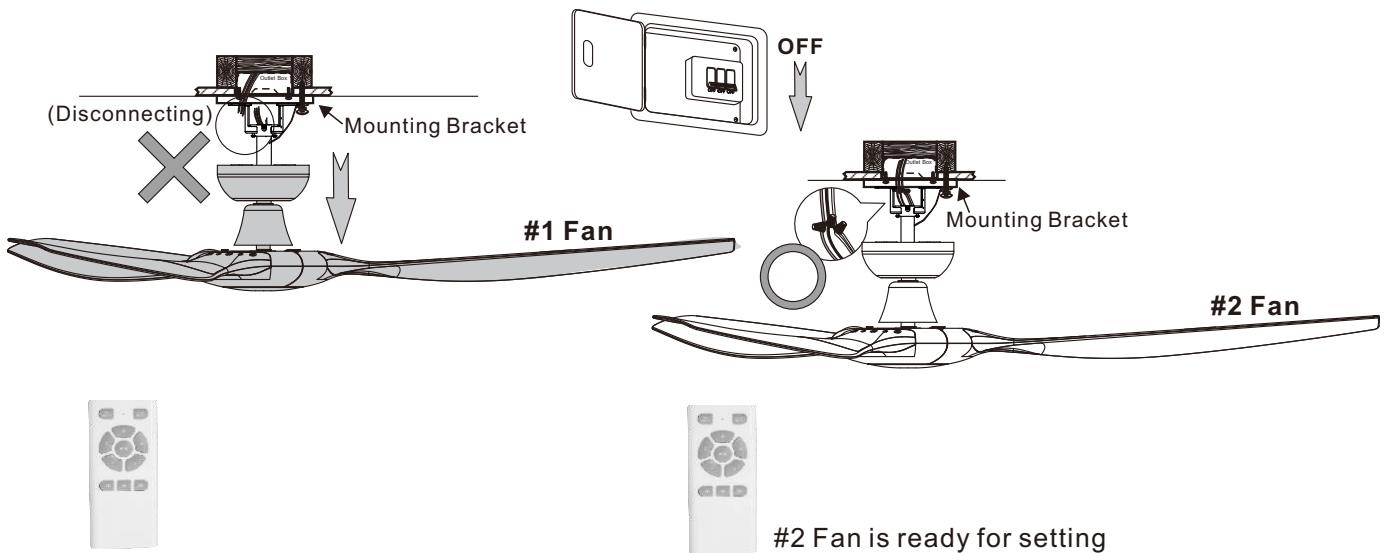
Switch the main power off and make sure fan has completely stopped.



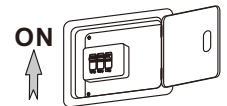
### 3-2. Disconnecting wire from #1 Fan

Disconnect the AC Black wires to the #1 Fans and connect the AC Black wires back to #2 Fan that you remove from **Step 2-1**.

\*See the remote control setting process for **step 3-3. to set up #2 Fan**



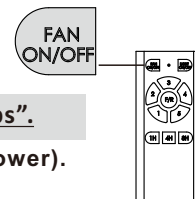
Turn on power at breaker box and #2 Fan is ready for setting.



### 3-3. Remote Control SETTING Process :

Press and hold the **Fan On/Off button** for **8 seconds** until the Receiver **"Beeps"**.

(\*NOTE: This process must be done within 20 seconds of switching on the power).

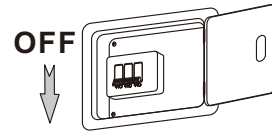


This fan has completed the settings successfully and the fan is ready for operation!

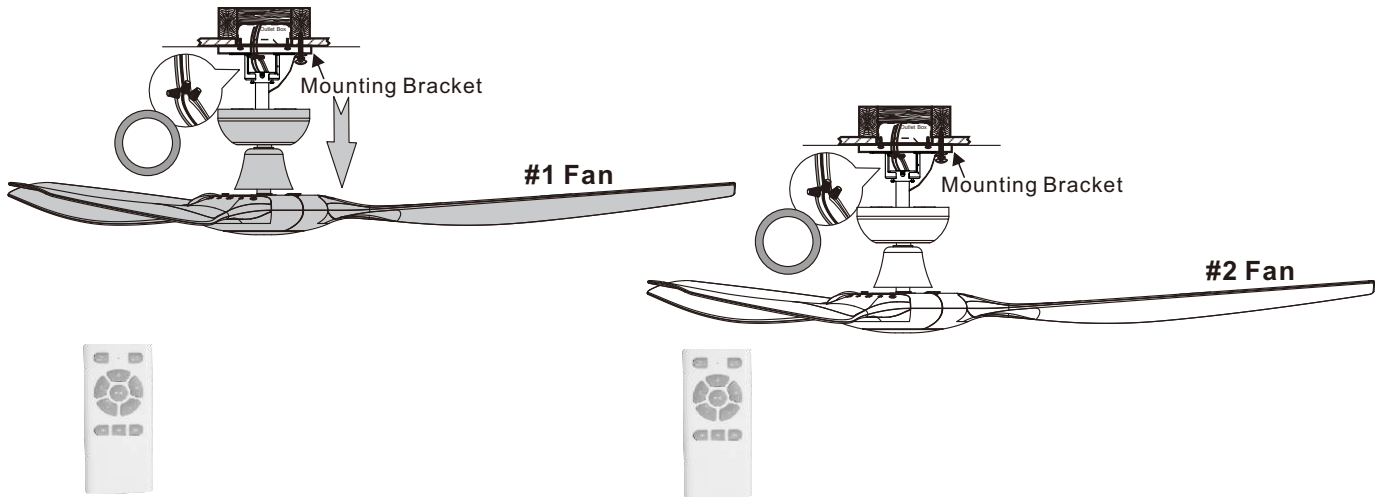
## Step 4. Reconnecting all fans

### 4-1. Make sure to turn off power at breaker box.

Switch the main power off and make sure fan has completely stopped.

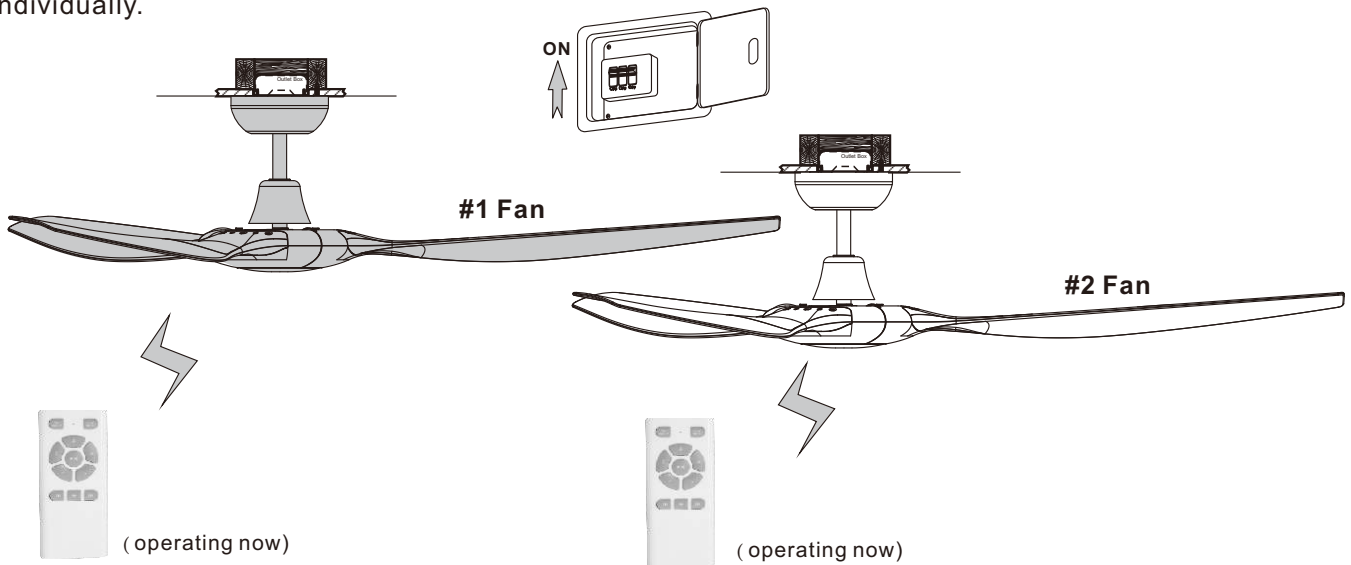


### 4-2. Connect wire to #1 Fan and #2 Fan should already be wired



### 4-3.

Turn on the power from main switch and now each of these two fans are operated by its own remote individually.



**NOTE:** For more than two fans, the same rules apply. Make sure only one fan at a time is connected to power when doing the Remote Setting. Already completed fans should be disconnected until all fans have completed the Remote Setting process.