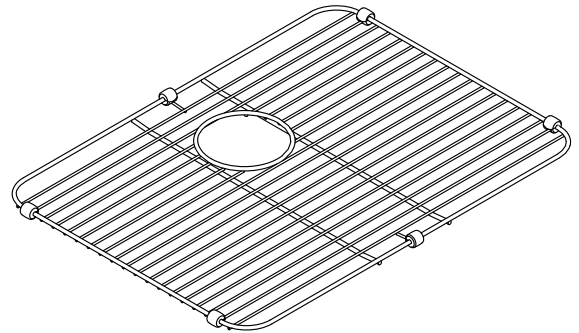


Features

- Included with the K-3325-HCF-NA Undertone Preserve.
- Fits in the K-3325-NA and K-3332-NA Undertone kitchen sinks and the K-6584 Iron/Tones kitchen sink.
- Durable stainless-steel construction.
- Helps protect sink surface from daily wear.
- Dishwasher safe.
- Rubber bumpers provide added protection.



For complete listing of available colors, go to kohler.com.

Codes/Standards

None Applicable

See website for detailed warranty information.

Product Specification

Kitchen sink rack shall be 20-11/16" (525 mm) in length, 15-3/16" (386 mm) in width, and 3/4" (19 mm) in height. Kitchen sink rack shall be made of stainless steel. Kitchen sink rack shall be KOHLER Model K-6391.

KOHLER[®]

Undertone[®] Preserve
Stainless Steel Sink Rack
K-6391

