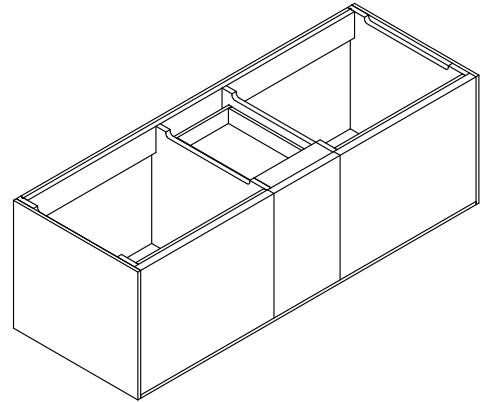


## Features

- Catalyzed conversion varnish provides a durable moisture-resistant finish.
- Furniture-style inset construction for doors and drawers.
- Two doors and one full- and two shallow-drawers behind one drawer front.
- Three-way adjustable slow-close door hinges with 110-degree opening capability for easy cabinet access.
- Full-extension 18" depth drawers with slow-close under-mount slides for smooth opening.
- Solid wood drawers with dovetail construction.
- Optional drawer organizer (sold separately).
- Coordinates with other products in the Jute™ collection.
- Wall-hung design offers a clean, streamlined look.
- Door and drawer pulls are sold separately.

## Material

- Solid wood and veneers.



For complete listing of available colors, go to [kohler.com](http://kohler.com).

## Codes/Standards

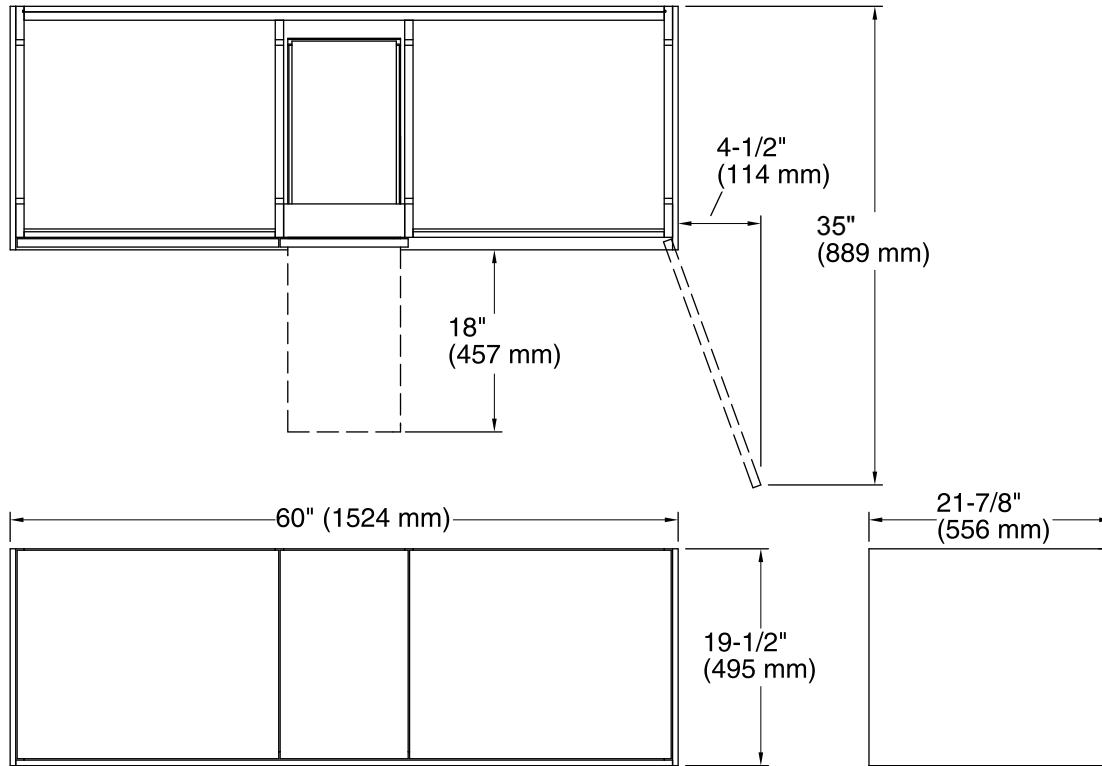
CARB P2

## KOHLER® One-Year Limited Warranty

See website for detailed warranty information.

## Product Specification

Vanity shall be 60" (1524 mm) in width, 21-7/8" (556 mm) in depth, and 19-1/2" (495 mm) in height. Vanity shall be made of solid wood and veneers. Vanity shall feature a catalyzed conversion varnish finish. Vanity shall be frameless construction with full-overlay inset doors and drawers. Vanity shall be with two doors and one full- and two shallow-drawers behind one drawer front. Vanity shall be with three-way adjustable slow-close door hinges with 110° opening capability. Vanity shall be with full-extension 18" (457 mm) depth drawers with slow-close, under-mount slides. Vanity shall be with solid wood drawers with dovetail construction. Vanity shall be wall-mount. Vanity shall be KOHLER Model K-99548-SD.



## Technical Information

All measurements are approximate only.  
Vanity type: Wall-mount

## Installation Notes

Install this product according to the installation guide.

Decorative cabinet hardware is not supplied. Refer to the KOHLER bath accessories line for recommended cabinet hardware to complement your vanity.

Select the type of fastener based upon the wall material. Two 500 lb (227 kg) minimum load bearing fasteners are recommended.