



Item # 1002 965 436/
1002 953 222
Model # G2801B-US

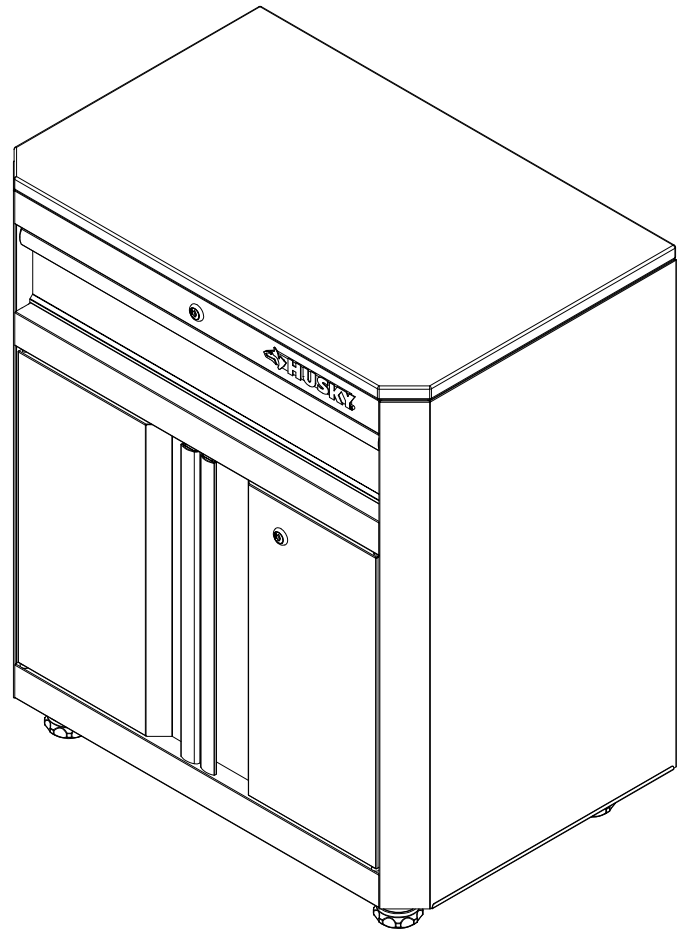
USE AND CARE GUIDE

28 IN. 1-DRAWER 2-DOOR BASE CABINET

Questions, problems, missing parts?
Before returning to the store, call
Husky Customer Service
8 a.m. - 5 p.m., EST, Monday - Friday

1-888-HD-HUSKY

WWW.HUSKYTOOLS.COM



Due to continuing improvements,
the actual product may differ slightly
from the product described herein.

THANK YOU

We appreciate the trust and confidence you have placed in Husky through the purchase of this cabinet. We strive to continually create quality products designed to enhance your home. Visit us online to see our full line of products available for your home improvement needs. Thank you for choosing Husky!

Table of Contents

Table of Contents	2	Maintenance	6
Safety Information	2	Care and Cleaning	6
Warranty	2	Drawer Removal	7
Specifications	3	Drawer Replacement	7
Pre-Assembly	3	Door Replacement	7
Assembly	5	Service Parts	9

Safety Information

To reduce the risk of serious injury, read and follow the safety instructions below before assembling and using this product.

- This product is intended for indoor use only.
- This product is not designed for commercial nor industrial usage.



CAUTION: Use at least two people to move, assemble or install this product. Failure to do so can result in personal injury or product damage.



WARNING: Keep the product on level surfaces. The product could become unstable and it may tip over if stored or moved on an uneven surface, which may cause personal injury, death or product damage.



CAUTION: DO NOT alter this product in any manner. For example, do not weld external bar locks or attach electrical and lock equipment. This may cause product damage or personal injury.



WARNING: Any assembly or maintenance of the product must be carried out by adults only.



CAUTION: Check all nuts and bolts periodically for tightness. When required, tighten them again.



WARNING: Wear safety glasses when removing or repositioning the slides. The tool could slip, causing personal injury. Close and lock the drawers before moving the cabinet.



CAUTION: DO NOT leave children unattended near this product. Cabinet may tip over if improperly opened.



WARNING: DO NOT stand on the product or lean on the drawers or wood top.

Warranty

1 year Limited Warranty for Solid Wood top. This warranty excludes incidental/inconsequential damages and failures due to misuse, abuse or normal wear and tear.

This full warranty gives you specific rights, and you may also have other rights, which vary state to state.

Contact the customer service team at 1-888-HD-HUSKY or visit www.huskytools.com.

Specifications

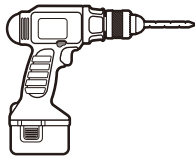
Maximum load for drawer	50 lbs. / 22.7 kg
Maximum load for wood top	100 lbs. / 45.4 kg
Maximum load for shelf	100 lbs. / 45.4 kg
Maximum load for bottom panel	100 lbs. / 45.4 kg
Maximum total load	350 lbs. / 158.9 kg

Pre-Assembly

TOOLS REQUIRED



Hex Wrench
(Hex Key)



Drill
(not included)



Safety Goggles
(not included)



Hex Screwdriver Bit

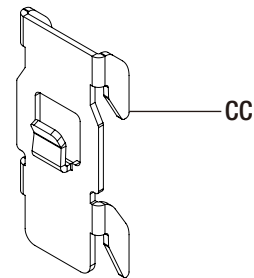
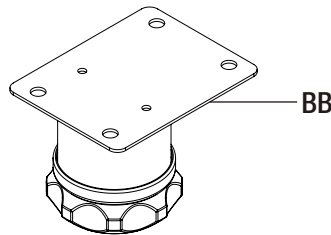
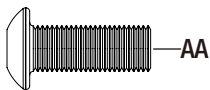


Gloves
(not included)

HARDWARE INCLUDED



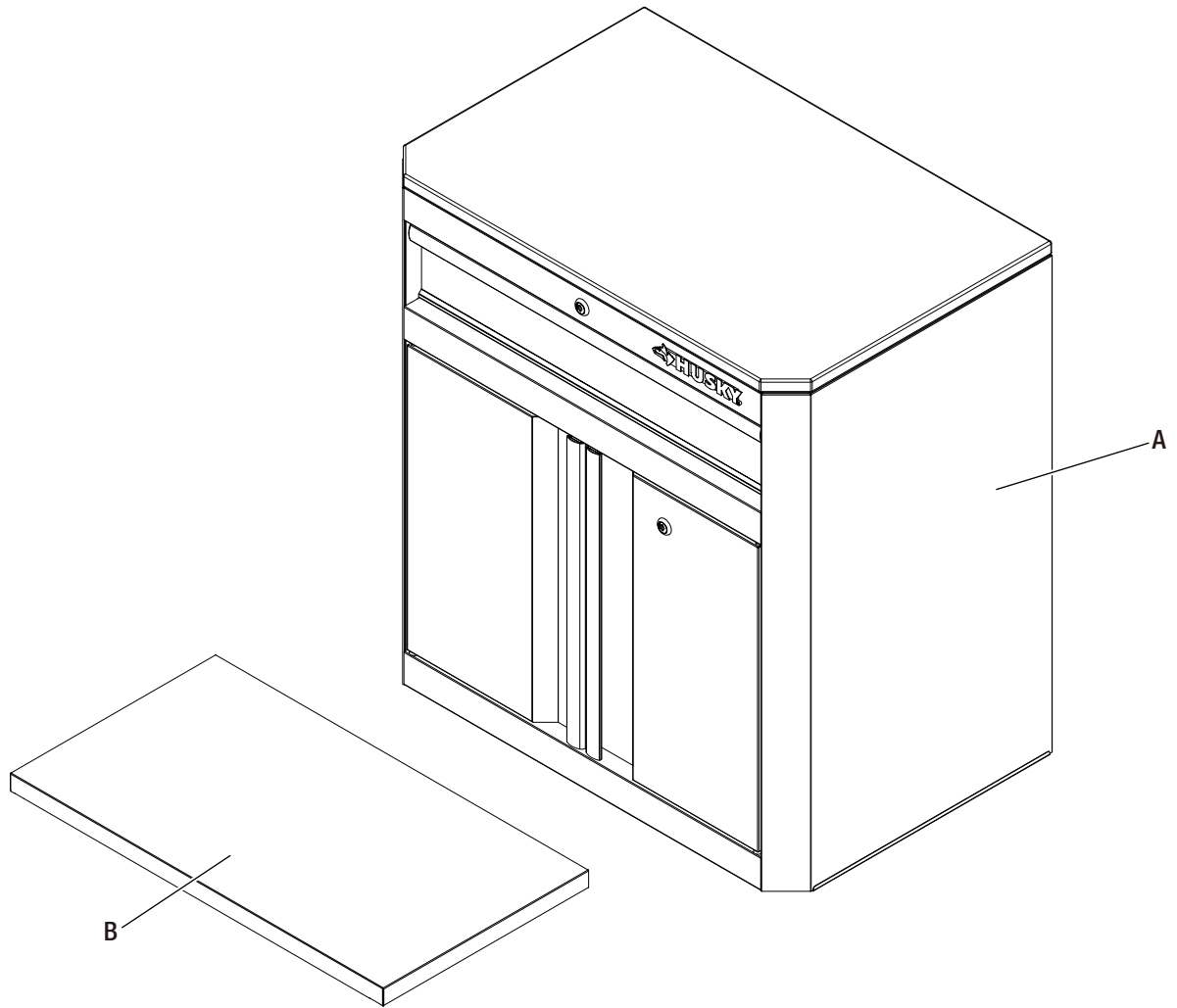
NOTE: Hardware not shown to actual size.



Part	Description	Quantity
AA	M6 x 16 hex socket head screw	16
BB	Adjustable foot	4
CC	Shelf bracket	4

Pre-Assembly

PACKAGE CONTENTS



Part	Description	Quantity
A	Base cabinet	1
B	Shelf	1

Assembly



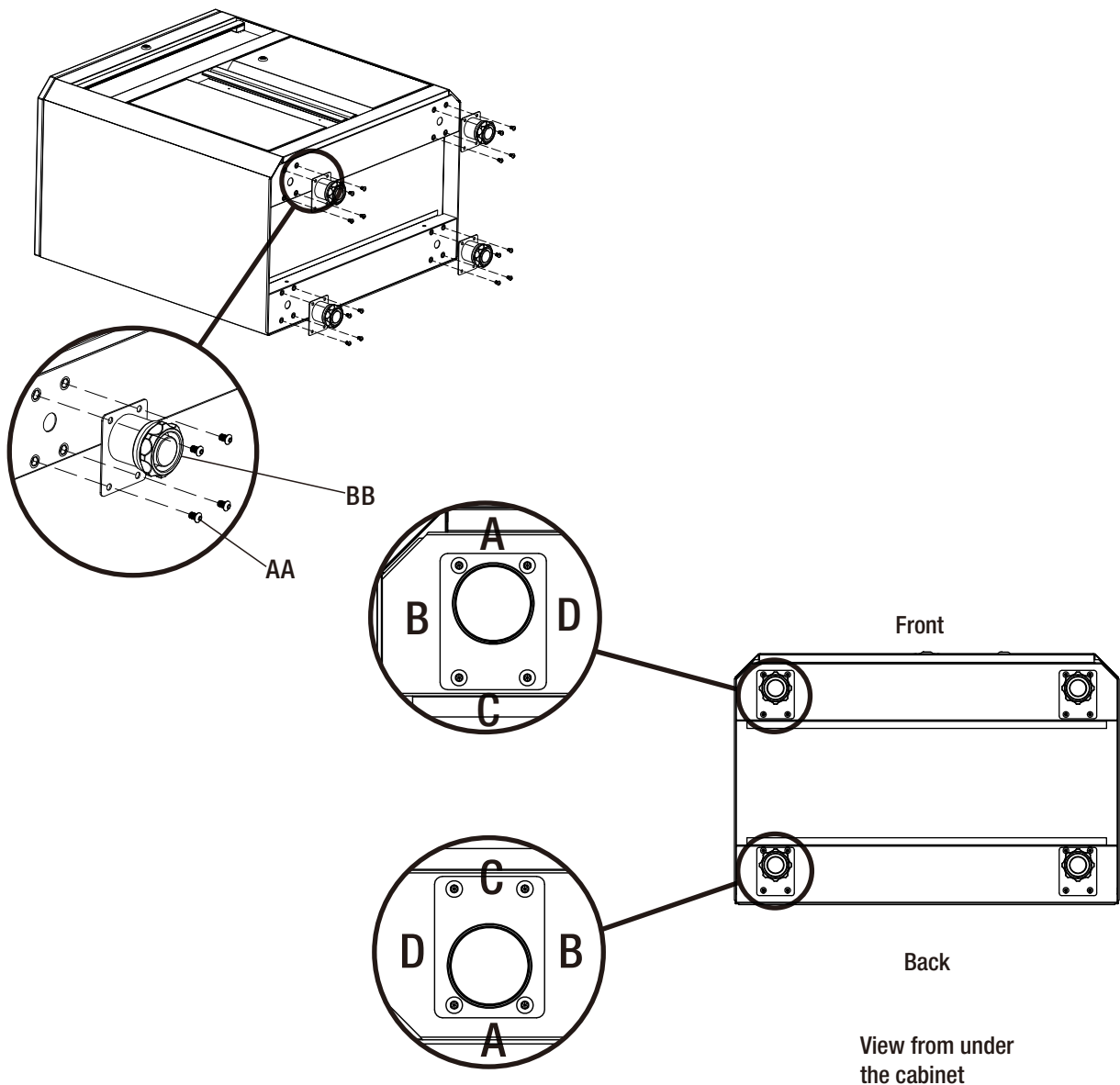
NOTE: Assemble on a flat surface. A piece of cardboard is recommended to keep the product from being scratched during assembly.



CAUTION: Please wear gloves during the whole assembling process.

INSTALL THE ADJUSTABLE FEET

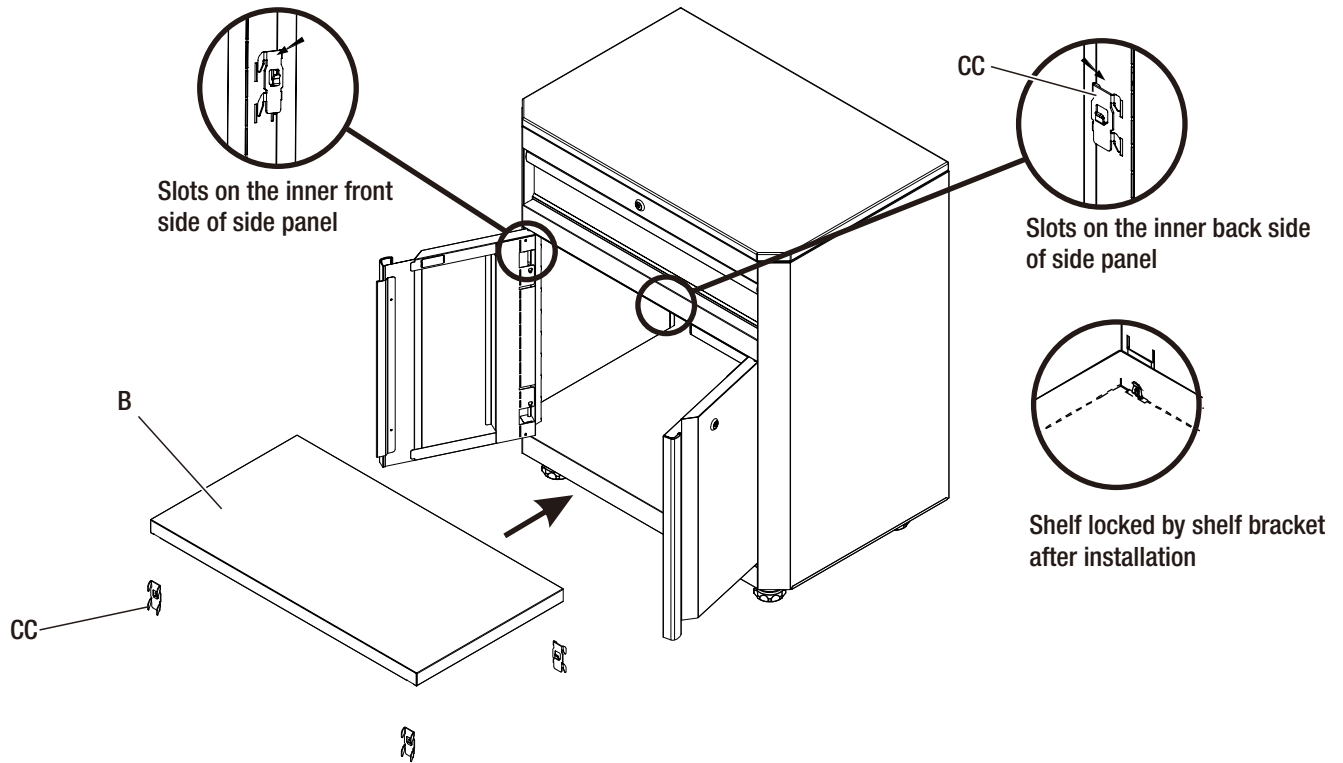
- Install the adjustable feet (BB) to the cabinet bottom. Make sure side A of the adjustable feet (BB) are facing either towards the back or the front of the cabinet.
- Tighten securely with sixteen M6 x 16 hex socket head screws (AA).



Assembly (continued)

INSTALL THE SHELF

Insert four shelf brackets (CC) into the slots on the side panels at the desired height. Make sure the four brackets (CC) are at the same height. Place the shelf (B) over the shelf brackets (CC), and push it down onto the shelf brackets. Make sure the shelf (B) is properly and safely locked by the upright hooks of the shelf brackets.



Maintenance

- Lubricate the slides semi-annually with a spray lubricant or light duty oil.
- Check all the screws and nuts periodically for tightness. Tighten them when necessary.

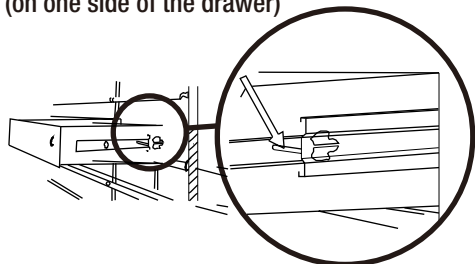
Care and Cleaning

- Clean the cabinet surfaces and drawers periodically with a soft rag and water.
- Grease and oil can be removed with most standard cleaning fluids. For safety, use a nonflammable cleaning fluid.

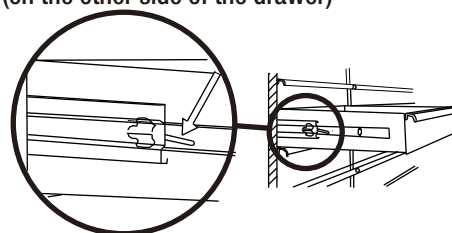
Drawer Removal

- Pull the drawer out until it is extended to the maximum. There are two black release levers: one on each side of the drawer.
- Pull one up while you push the other one down simultaneously. At the same time, pull the drawer out of the drawer slides.

Pull up
(on one side of the drawer)



Push down
(on the other side of the drawer)



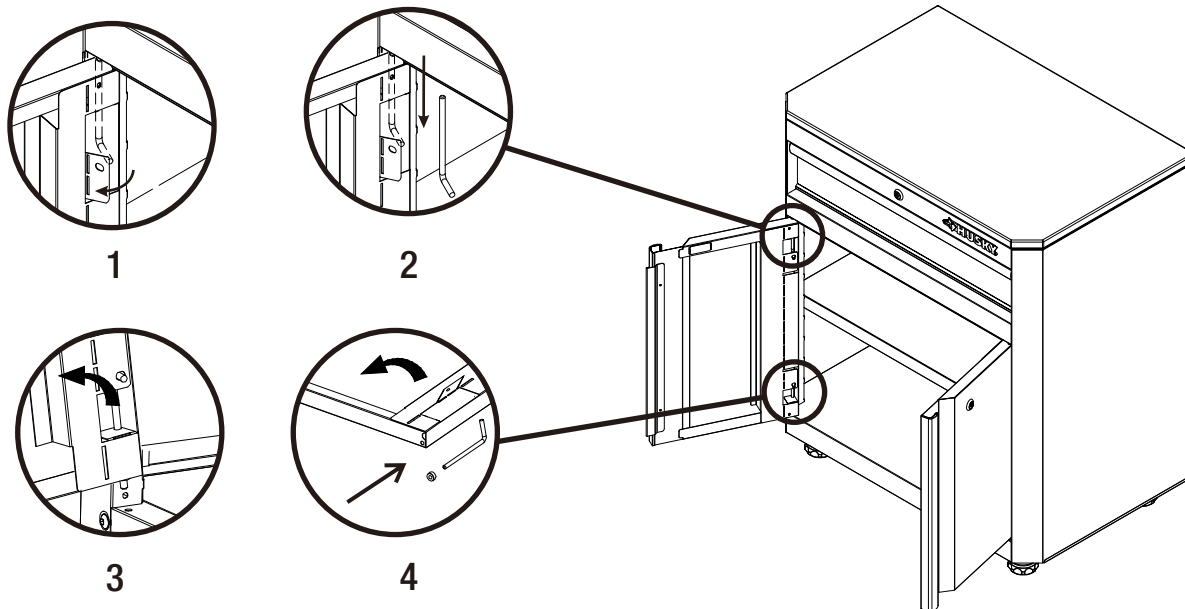
Drawer Replacement

Extend the drawer slides from the cabinet. Insert the brackets on each side of the drawer into the slots in the cabinet slides, being careful that they are properly positioned. Once properly inserted, completely close the drawer to set the slides in their proper positions.

Door Replacement

DOOR REMOVAL

- Pull the upper locking tab of the door outward until the door pin is unlocked by it.
- Take out the door pin from the door.
- Lift up the door and take out the door from the cabinet.
- Pull the bottom locking tab of the door outward and take out the door pin and rubber ring.



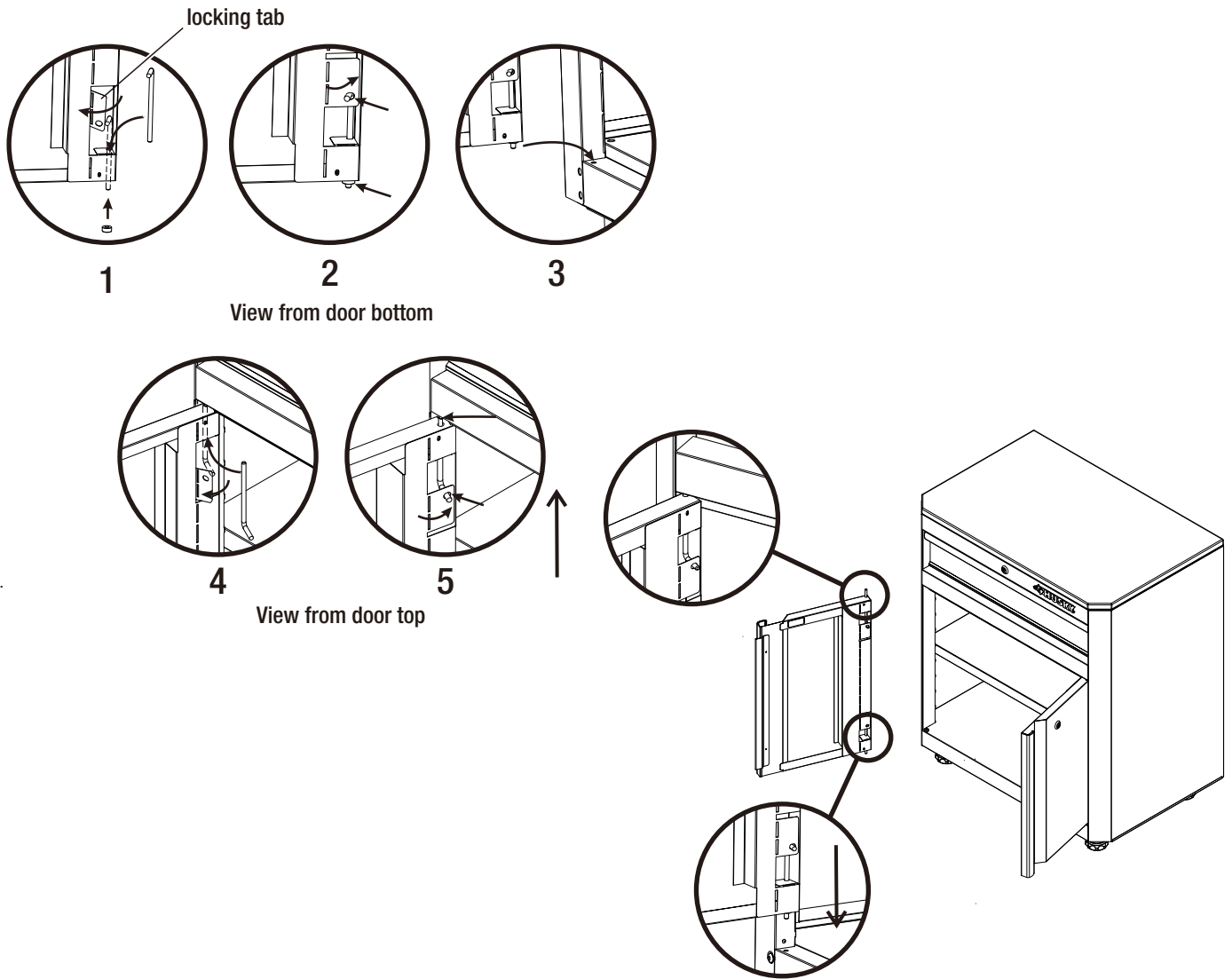
Door Replacement (continued)

DOOR INSTALLATION

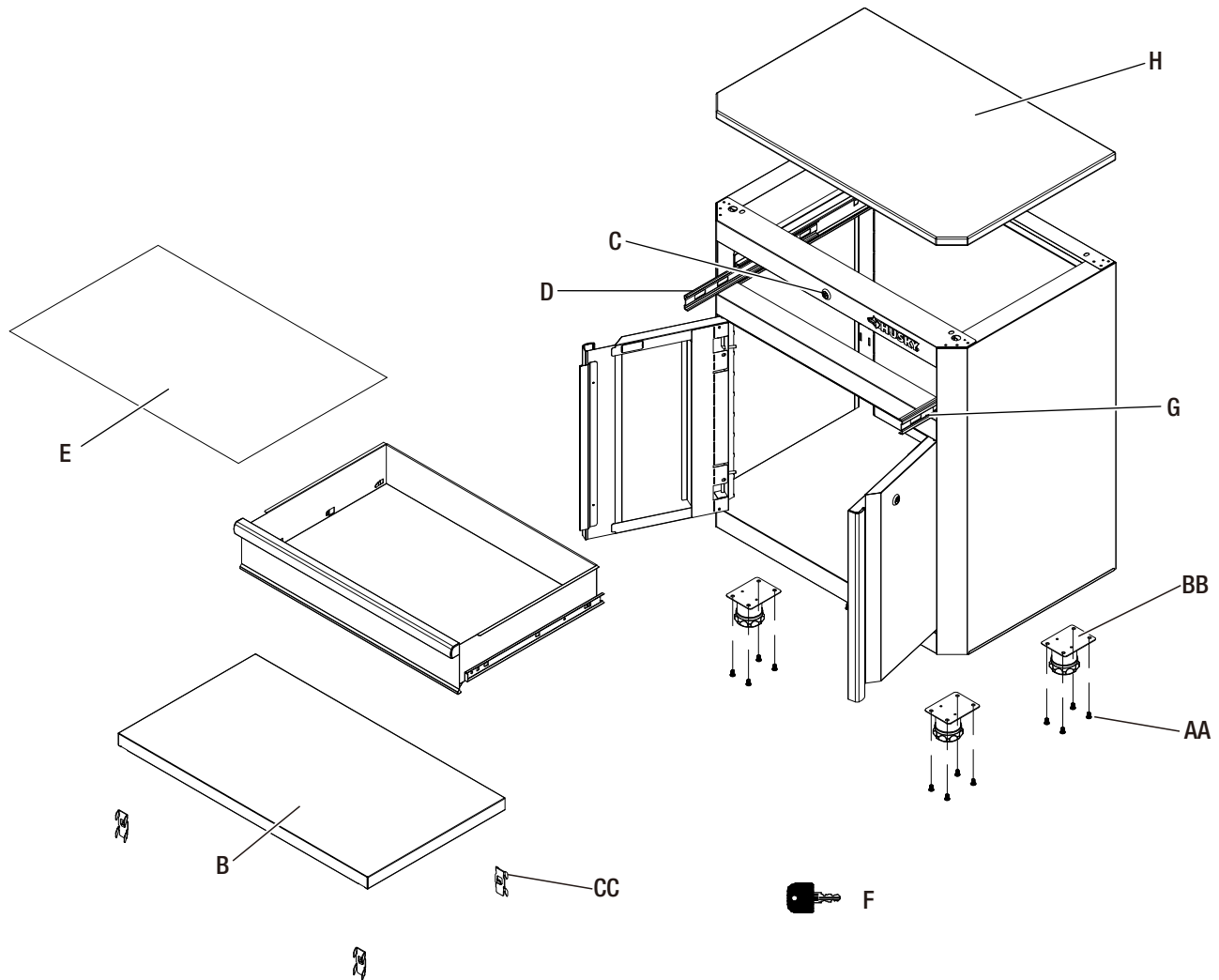
- Lay down the door on its face with a soft mat underneath. Pull the bottom locking tab at the bottom corner of the door outwards. Insert a door pin through the hole at the door's bottom corner and put a rubber ring into the pin's vertical end.
- Push back the bottom locking tab to its place. Insert the horizontal end of the pin into the hole at the locking tab at the same time.
- Take up the door and insert the door pin into the hole at the bottom corner of the cabinet.
- Pull the upper locking tab at the top corner of the door outwards. Insert a door pin through the hole at door's top corner into the hole at the top corner of the cabinet.
- Push back the upper locking tab to its place. Insert the horizontal end of the pin into the hole at the locking tab at the same time.



CAUTION: When you push the locking tab back to its place, make sure the end of the door pin's horizontal part is inserted into the hole of the locking tab to ensure the door pin is securely in place.



Service Parts



Part	Replacement Part #	Description	Quantity
F	304213	Key	2
B	226383	Shelf	1
C	304212	Lock	2
D	300115	Slide -L	1
E	551713	Drawer liner	1

Part	Replacement Part #	Description	Quantity
G	300116	Slide -R	1
H	571215	Solid wood top	1
AA	320327	M6 x 16 hex socket head screw	16
BB	313066	Adjustable foot	4
CC	226078	Shelf bracket	4



Replacement keys may be ordered. Call 1-844-370-2288.



Questions, problems, missing parts? Before returning to the store,
call Husky Customer Service
8 a.m.-5 p.m., EST, Monday-Friday

1-888-HD-HUSKY

WWW.HUSKYTOOLS.COM

Retain this manual for future use.



Item # 1001 509 625/
1001 488 134
Model # G2802B-US

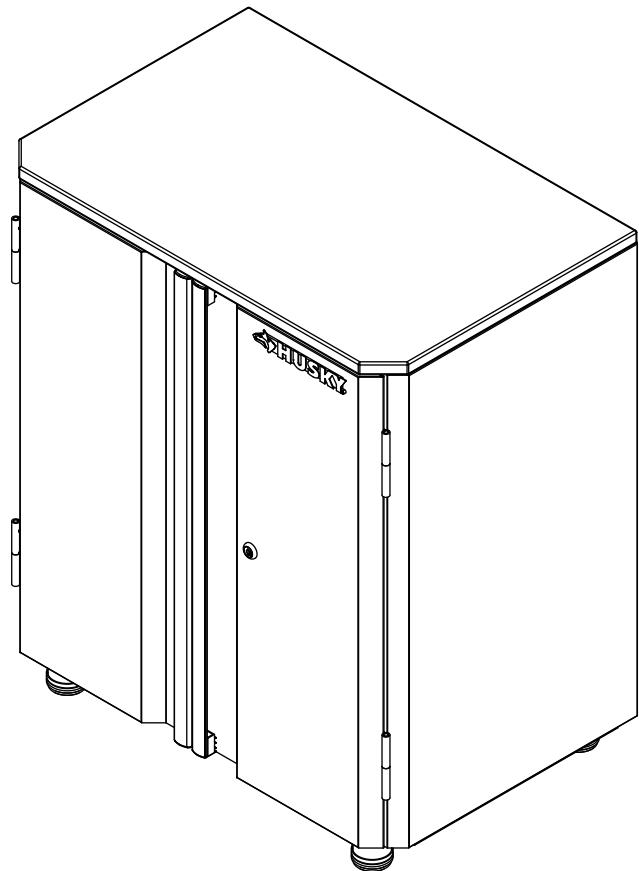
USE AND CARE GUIDE

28 IN. 2-DOOR BASE CABINET

Questions, problems, missing parts?
Before returning to the store, call
Husky Customer Service
8 a.m. - 5 p.m., EST, Monday - Friday

1-888-HD-HUSKY

WWW.HUSKYTOOLS.COM



Due to continuing improvements,
the actual product may differ slightly
from the product described herein.

THANK YOU

We appreciate the trust and confidence you have placed in Husky through the purchase of this cabinet. We strive to continually create quality products designed to enhance your home. Visit us online to see our full line of products available for your home improvement needs. Thank you for choosing Husky!

Table of Contents

Table of Contents2
Safety Information2
Warranty2
Specifications3
Pre-Installation3

Assembly5
Maintenance8
Care and Cleaning8
Service Parts9

Safety Information

To reduce the risk of serious injury, read and follow the safety instructions below before assembling and using this product.

- This product is intended for indoor use only.
- This product is not designed for commercial nor industrial usage.



Use at least two people to move, assemble or install this product. Failure to do so can result in personal injury or product damage.



Close and lock the doors before moving this product.



DO NOT alter this product in any manner. For example, do not weld external bar locks or attach electrical equipment. This may cause product damage or personal injury.



Check all nuts and bolts periodically for tightness. When required, tighten them.



DO NOT leave children unattended near this product. Cabinet may tip over if improperly opened.



Keep the product on level surfaces. The product could become unstable and it may tip over if stored or moved on an uneven surface, which may cause personal injury, death or product damage.



Any assembly or maintenance of the product must be carried out by adults only.



DO NOT stand or lean on the product.

Warranty

1 year Limited Warranty for Solid Wood top. This warranty excludes incidental/inconsequential damages and failures due to misuse, abuse or normal wear and tear.

This full warranty gives you specific rights, and you may also have other rights, which vary state to state.

Contact the customer service team at 1-888-HD-HUSKY or visit www.huskytools.com.

Specifications

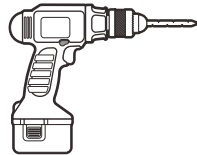
Maximum load for each door	11 lbs. / 5 kg
Maximum load for shelf	100 lbs. / 45.4 kg
Maximum load for bottom panel	100 lbs. / 45.4 kg
Maximum load for wood top	100 lbs. / 45.4 kg
Maximum total load	322 lbs. / 146.2 kg

Pre-Installation

TOOLS REQUIRED



Hex Wrench
(Hex Key)



Drill
(not included)



Hex Screwdriver Bit

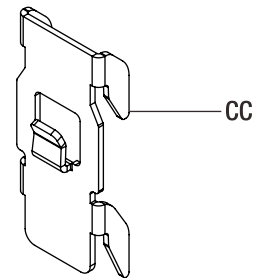
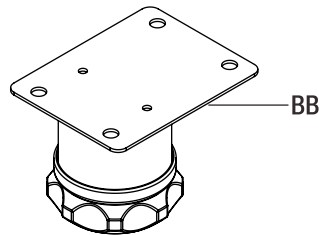


Gloves
(not included)

HARDWARE INCLUDED



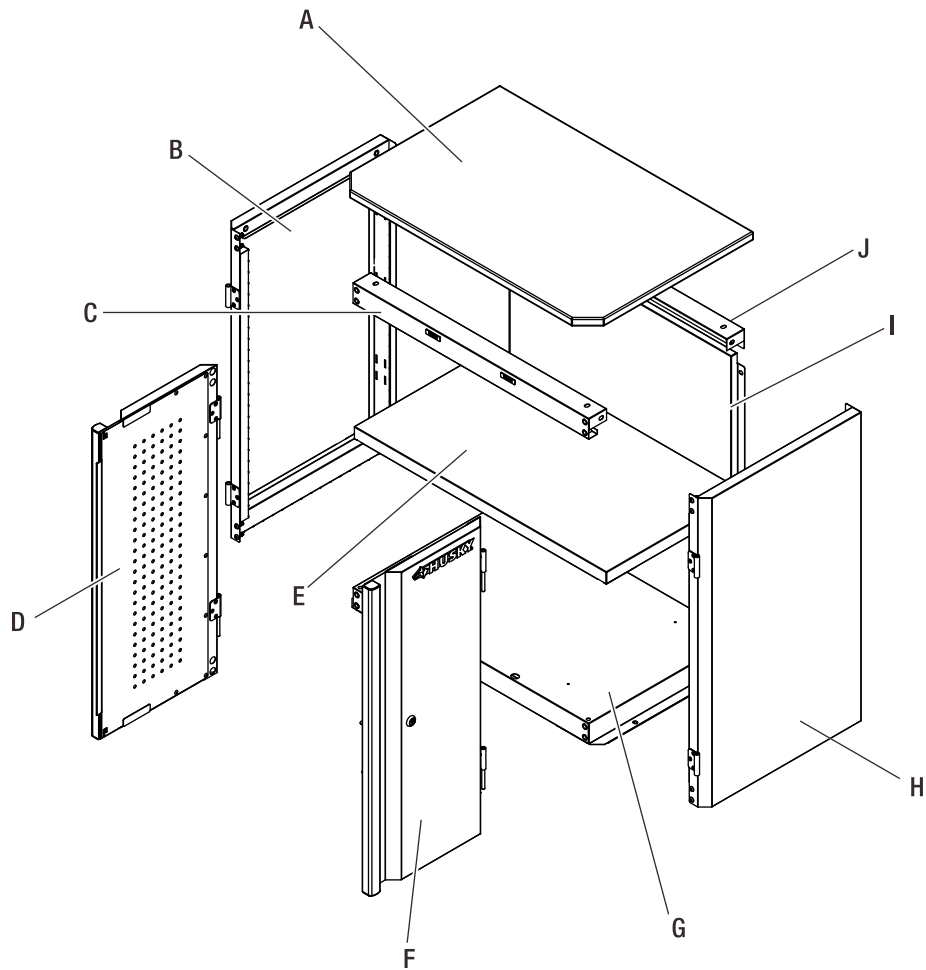
NOTE: Screws shown to actual size.



Part	Description	Quantity
AA	M6 x 16 hex socket head screw	48
BB	Adjustable foot	4
CC	Shelf bracket	4
DD	M6 x 16 hex socket head cap screw	2

Pre-Installation (continued)

PACKAGE CONTENTS



Part	Description	Quantity
A	Solid wood top	1
B	Left side panel	1
C	Front top beam	1
D	Left door	1
E	Shelf	1

Part	Description	Quantity
F	Right door	1
G	Bottom panel	1
H	Right side panel	1
I	Back panel	2
J	Back top beam	1

Assembly



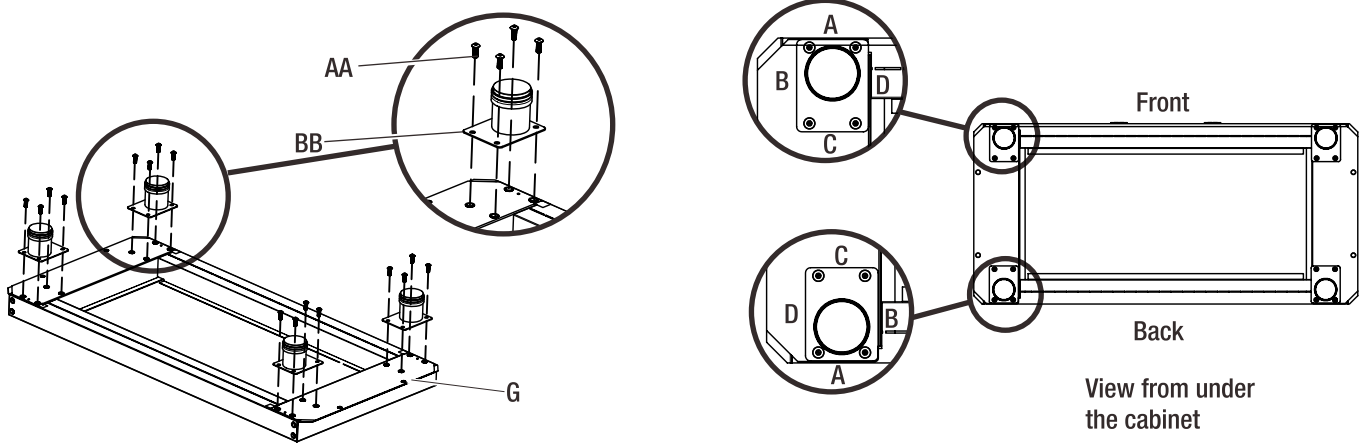
NOTE: Assemble on a flat surface. A piece of cardboard is recommended to keep the product from being scratched during assembly.



Please wear gloves during the whole assembling process.

1 INSTALL THE ADJUSTABLE FEET

Install the adjustable feet (BB) to the bottom panel (G). Make sure the sides A of the adjustable feet are facing either towards the back or the front of the cabinet. Tighten securely with sixteen M6 x 16 hex socket head screws (AA).

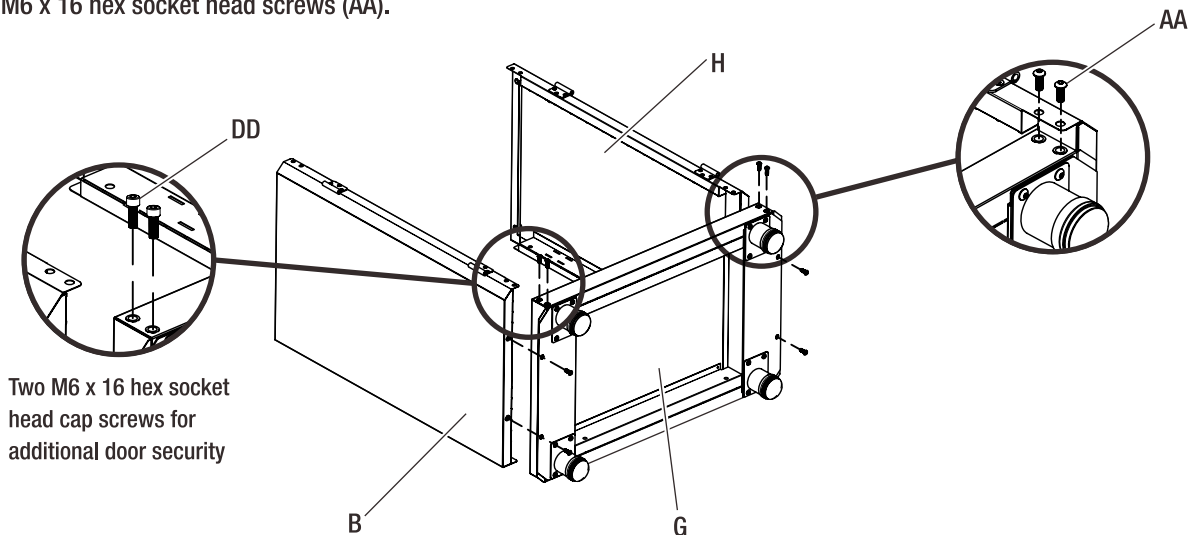


2 ATTACH THE SIDE AND BOTTOM PANELS



Two M6 x 16 hex socket head cap screws (DD) (security screws) should be fixed to the left bottom face of cabinet for additional door security.

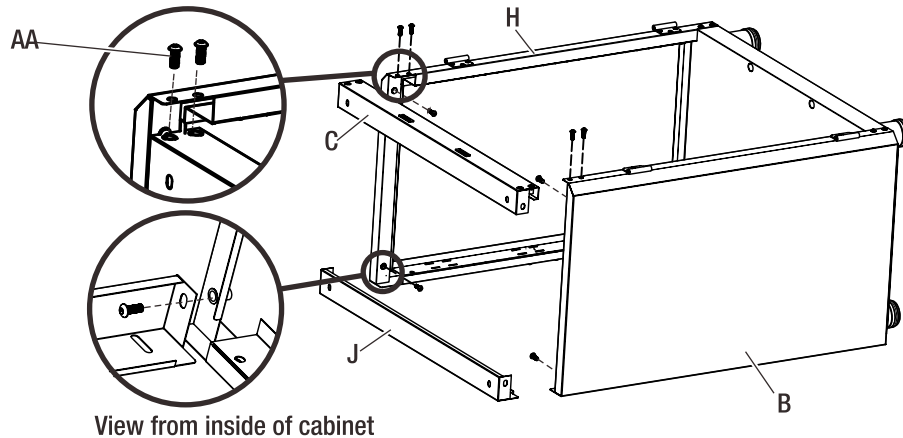
Attach the side panels (B & H) to the bottom panel (G) with two M6 x 16 hex socket head cap screws (DD) (security screws) and six M6 x 16 hex socket head screws (AA).



Assembly (continued)

3 ATTACH THE TOP BEAMS

- Attach the front top beam (C) to the side panels (B & H) with six M6 x 16 hex socket head screws (AA). Insert the screws by hand. DO NOT tighten.
- Attach the back top beam (J) to the side panels (B & H) with two M6 x 16 hex socket head screws (AA). Insert the screws by hand. DO NOT tighten.



4 ATTACH THE BACK PANELS

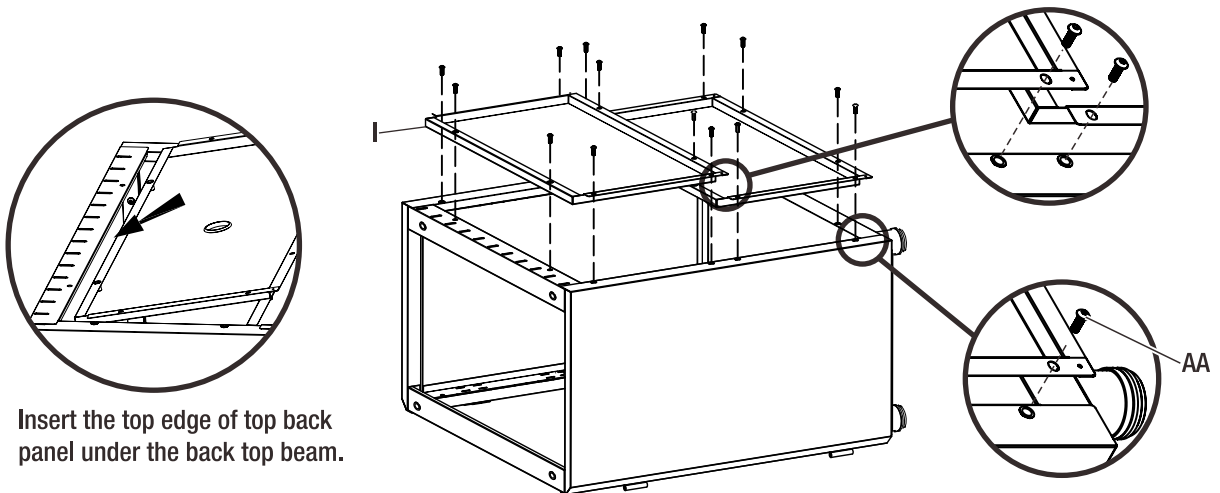


Make sure your floor is free of debris or the cabinet face is protected before laying the cabinet on its face.



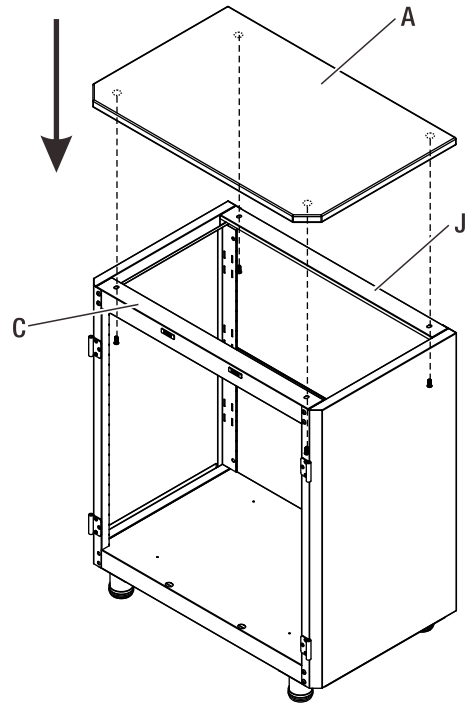
The top edge of the top back panel should be inserted under the back of the back top beam.

- Lay the cabinet on its face.
- Attach the back panels (I) to the back of the cabinet with fourteen M6 x 16 hex socket head screws (AA). Insert the screws by hand. DO NOT tighten.



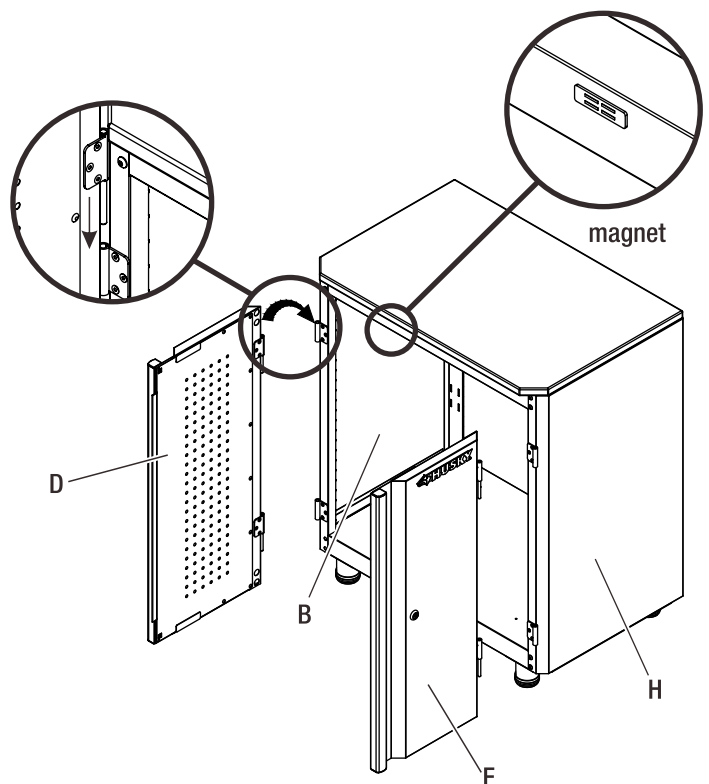
5 ATTACH THE SOLID WOOD TOP

- Attach the wood top (A) to the cabinet top by inserting four M6 x 16 hex socket head screws (AA) through the pre-drilled holes underneath the top beams (C & J) to the wood top (A). Tighten securely.



6 ATTACH THE DOORS

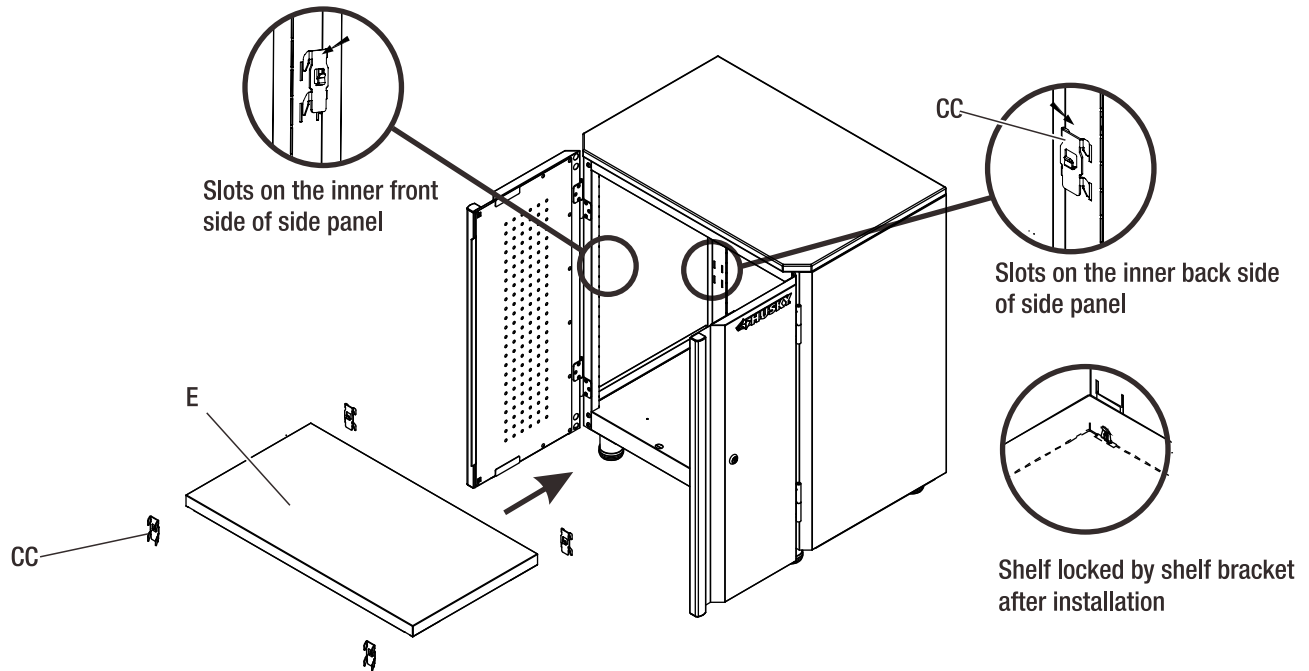
- Insert the pins from the hinges on the left door (D) into the slots of the bottom hinges at the front of the left side panel (B).
- Repeat the same procedure to attach the right door (F).
- Close the doors to see if the doors can touch the magnets completely. If not, adjust the cabinet's top and side panels to make sure the shape of the cabinet is square and flush. Until the doors can catch the magnets completely, tighten the top beams' and back panels' screws.



Assembly (continued)

7 INSTALL THE SHELF

- Insert four shelf brackets (CC) into the slots on the side panels at the desired height. Make sure the four brackets (CC) are at the same height. Place the shelf (E) over the shelf brackets (CC), and push it down onto the shelf brackets. Make sure the shelf (E) is properly and safely locked by the upright hooks of the shelf brackets.



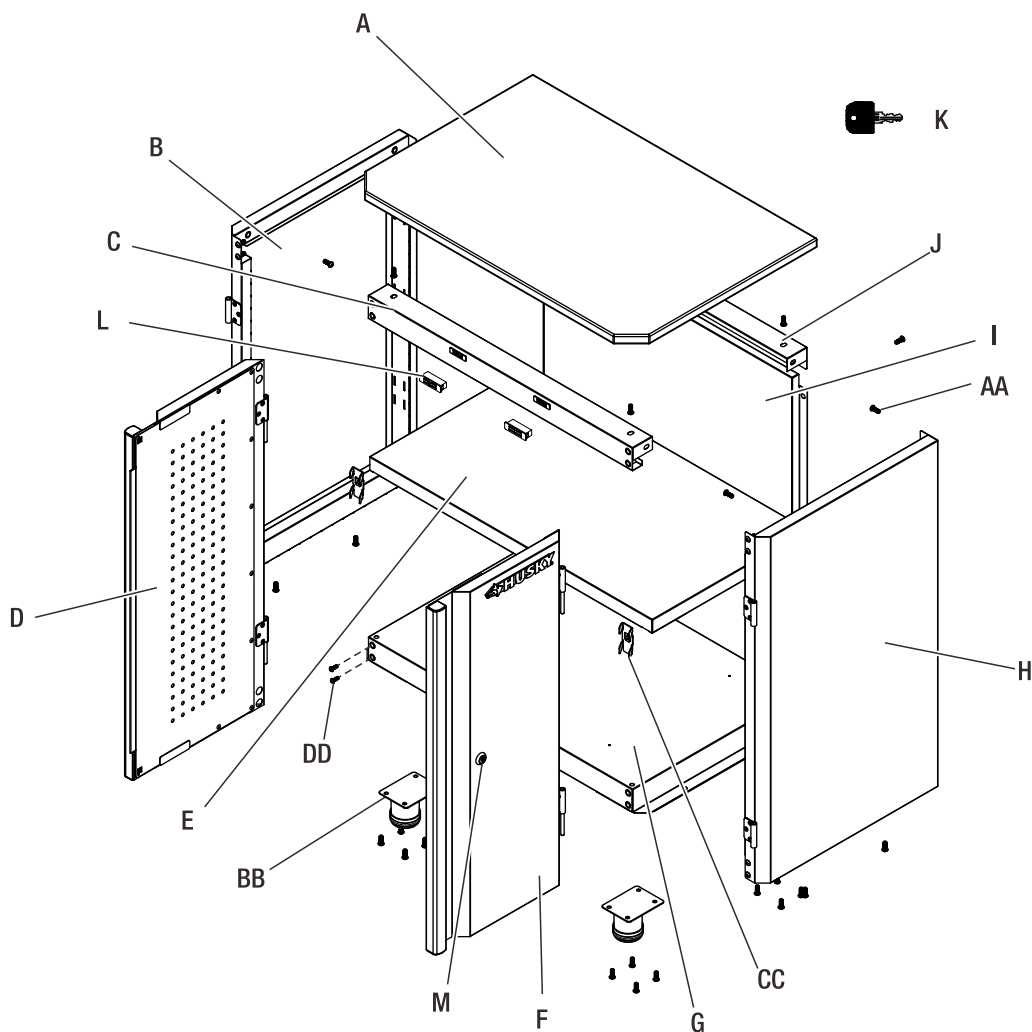
Maintenance

- Check all the screws and nuts periodically for tightness. Tighten them when necessary.

Care and Cleaning

- Periodically clean the surfaces with a soft rag and water.
- Grease and oil can be removed with most standard cleaning fluids. For safety, use a nonflammable cleaning fluid.

Service Parts



Part	Replacement Part #	Description	Quantity
K	304213	Key	2
A	571215	Solid wood top	1
B	113555	Left side panel	1
C	113537	Front top beam	1
D	113541	Left door	1
E	226803	Shelf	1
F	113542	Right door	1
G	113534	Bottom panel	1
H	113556	Right side panel	1

Part	Replacement Part #	Description	Quantity
I	113539	Back panel	2
J	226801	Back top beam	1
L	312033	Magnet	2
M	304212	Lock	1
AA	320327	M6 x 16 hex socket head screw	48
BB	313066	Adjustable foot	4
CC	226078	Shelf bracket	4
DD	320332	M6 x 16 hex socket head cap screw	2



Replacement keys may be ordered. Call 1-844-370-2288 .



Questions, problems, missing parts? Before returning to the store,
call Husky Customer Service
8 a.m.-5 p.m., EST, Monday-Friday

1-888-HD-HUSKY

WWW.HUSKYTOOLS.COM

Retain this manual for future use.



Item # 1001 513 026/
1001 488 135
Model # G7200S-US

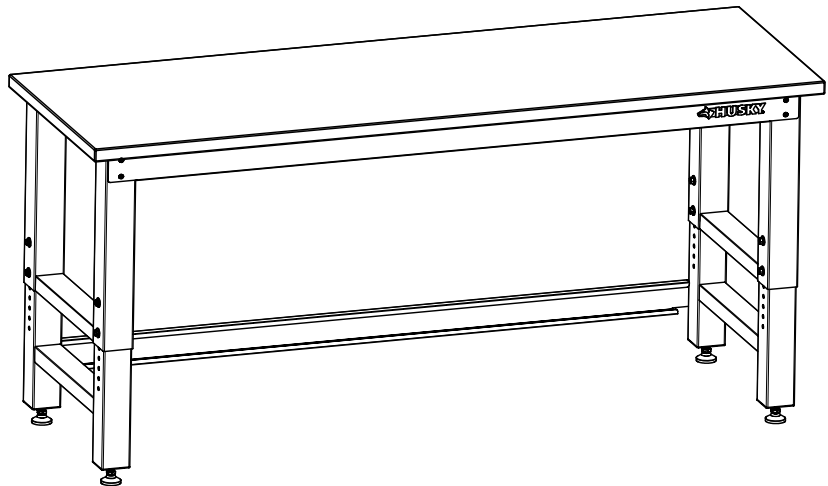
USE AND CARE GUIDE

72 IN. WORKBENCH

Questions, problems, missing parts?
Before returning to the store, call
Husky Customer Service
8 a.m. - 5 p.m., EST, Monday - Friday

1-888-HD-HUSKY

WWW.HUSKYTOOLS.COM



Due to continuing improvements,
the actual product may differ slightly
from the product described herein.

THANK YOU

We appreciate the trust and confidence you have placed in Husky through the purchase of this workbench. We strive to continually create quality products designed to enhance your home. Visit us online to see our full line of products available for your home improvement needs. Thank you for choosing Husky!


Table of Contents


Table of Contents	2	Assembly	5
Safety Information	2	Maintenance	7
Warranty	2	Care and Cleaning	7
Specifications	2	Service Parts	8
Pre-Installation	3		

Safety Information


To reduce the risk of serious injury, read and follow the safety instructions below before assembling and using this product.


- This product is intended for indoor use only.
- This product is not designed for commercial nor industrial usage.


 DO NOT alter this product in any manner. For example, do not weld external bar locks or attach electrical equipment. This may cause product damage or personal injury.

 Check all nuts and bolts periodically for tightness. When required, tighten them.

 DO NOT leave children unattended near this product.

 Keep the product on level surfaces. The product could become unstable and it may tip over if stored or moved on an uneven surface, which may cause personal injury, death or product damage.

 Any assembly or maintenance of the product must be carried out by adults only.

 Use at least two people to move, assemble or install this cabinet. Failure to do so can result in personal injury or product damage.

 DO NOT stand on the product and do not use it as scaffold.

Warranty

1 year Limited Warranty for Solid Wood top. This warranty excludes incidental/inconsequential damages and failures due to misuse, abuse or normal wear and tear.

This full warranty gives you specific rights, and you may also have other rights, which vary state to state.

Contact the customer service team at 1-888-HD-HUSKY or visit www.huskytools.com.

Specifications

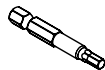
Maximum load	3000 lbs. / 1360.5 kg
--------------	-----------------------

Pre-Installation

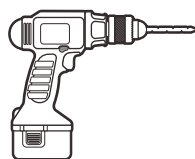
TOOLS REQUIRED



Hex Wrench
(Hex Key)



Hex Screwdriver Bit



Drill
(not included)



Open End Wrench (14 mm)
(not included)

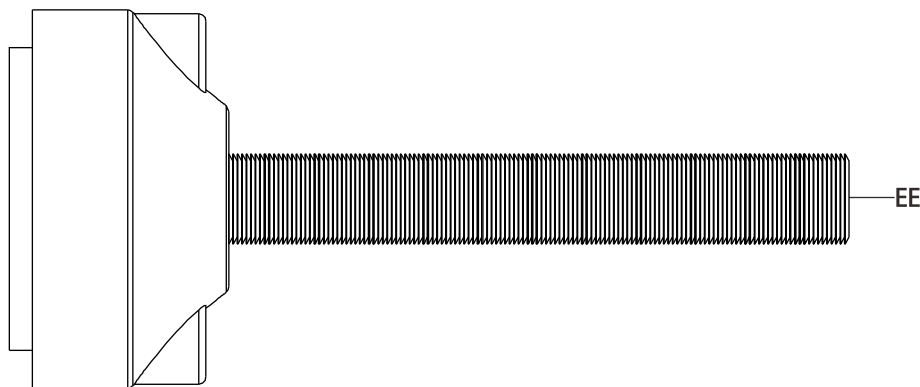
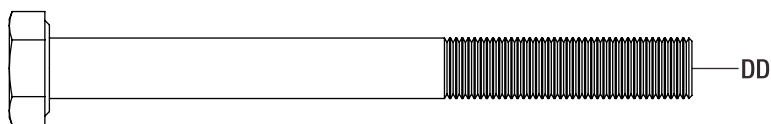
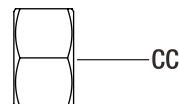
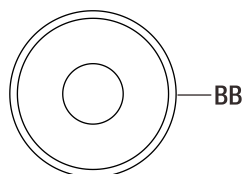


Gloves
(not included)

HARDWARE INCLUDED



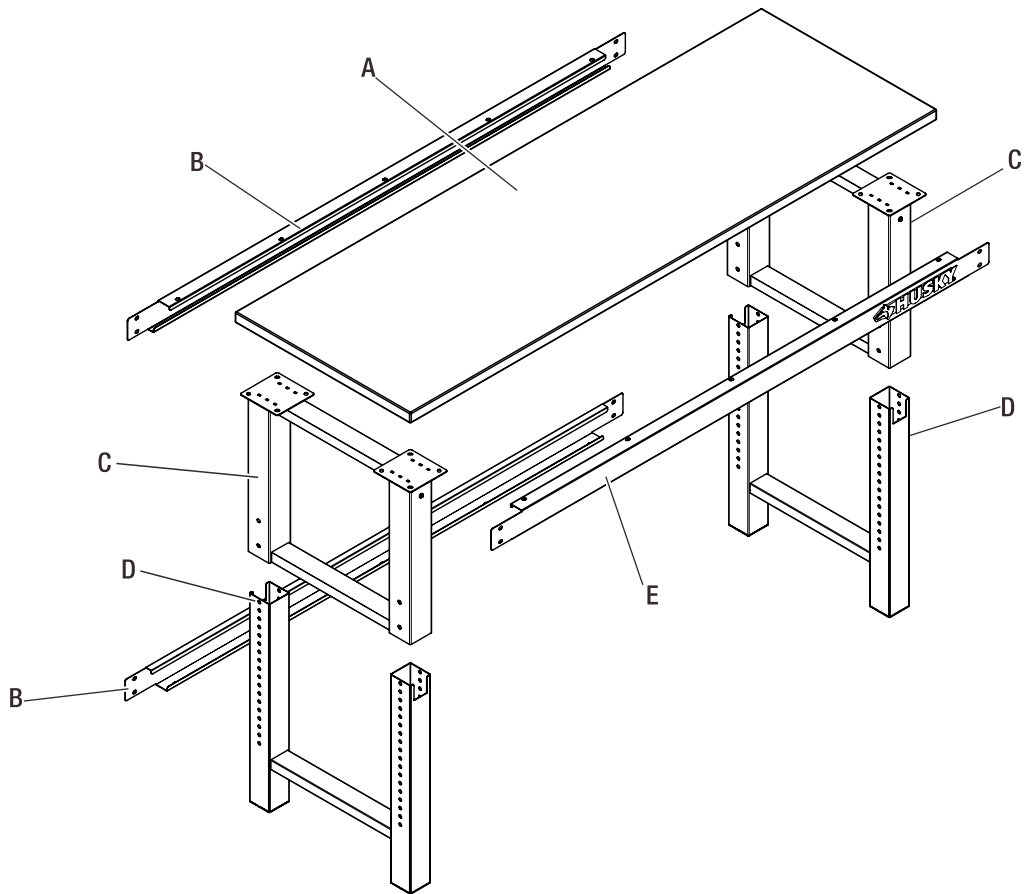
NOTE: Hardware shown to actual size.



Part	Description	Quantity
AA	M6 x 16 hex socket head screw	38
BB	Washer	16
CC	M8 hex nut	8
DD	M8 x 85 hex bolt	8
EE	Adjustable foot	4

Pre-Installation (continued)

PACKAGE CONTENTS



Part	Description	Quantity
A	Solid wood top	1
B	Back stiffener	2
C	Upper supporting frame	2
D	Bottom supporting frame	2
E	Front stiffener	1

Assembly



NOTE: Assemble on a flat surface. A piece of cardboard is recommended to keep the product from being scratched during assembly.



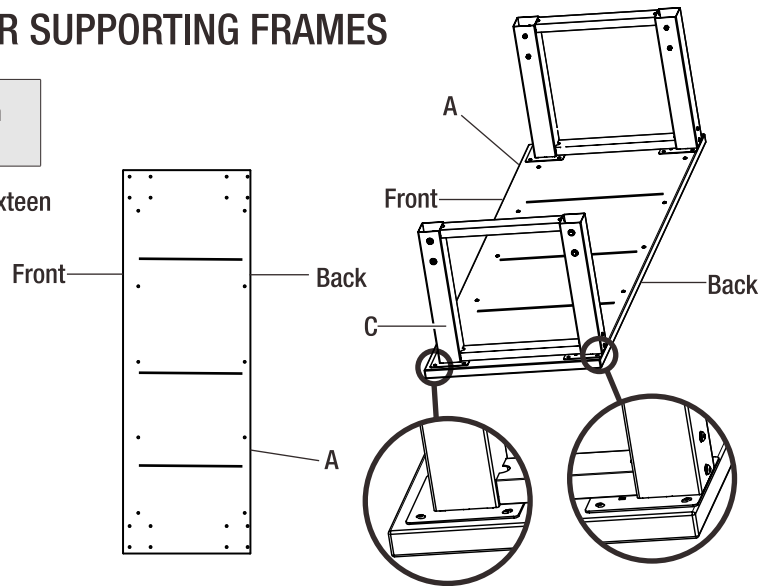
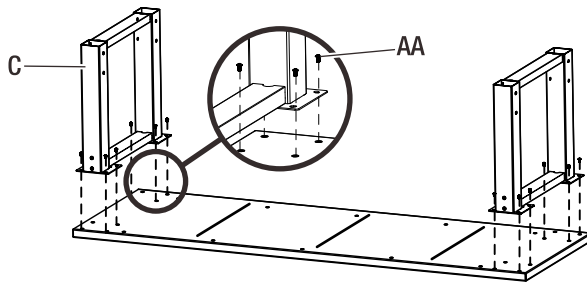
Please wear gloves during the whole assembling process.

1 ATTACH THE SOLID WOOD TOP AND UPPER SUPPORTING FRAMES



After assembly, the back of the upper supporting frames are flush with the solid wood top's back.

Attach the upper supporting frames (C) to the solid wood top (A) with sixteen M6 x 16 hex socket head screws (AA). Tighten securely.



2 ATTACH THE BOTTOM SUPPORTING FRAMES



Two open end wrenches (14 mm) are recommended. One to screw the bolt, and another one to hold the nut while screwing the bolt.



The back of the bottom supporting frame has two holes in it. The back of the bottom supporting frame should be fixed to the back of the upper supporting frame.



The left and right supporting frames should be at the same height after installation.

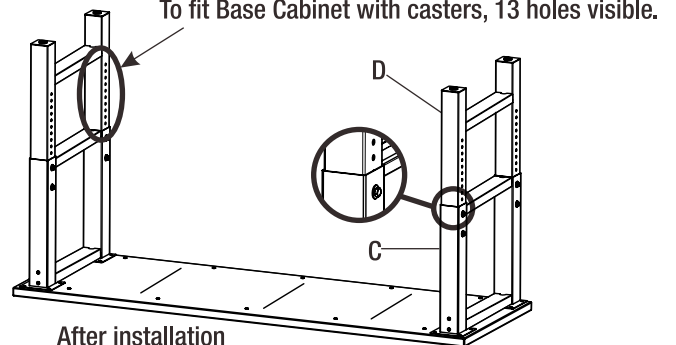
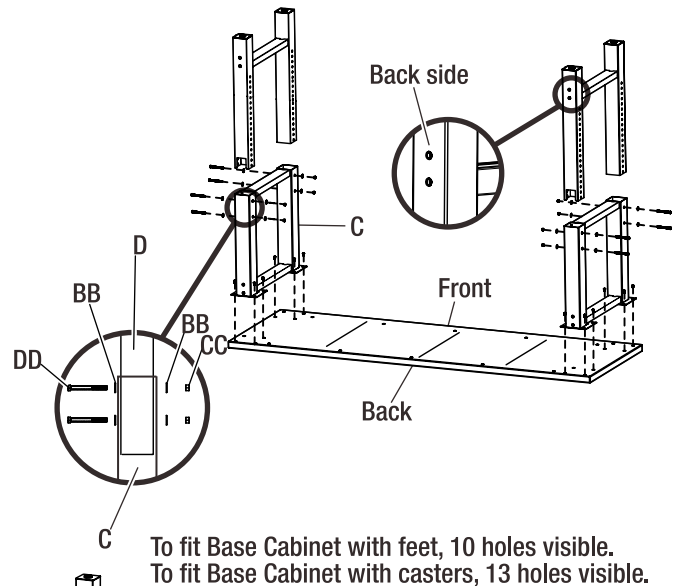


Husky 28" Base Cabinets with feet can be put under the Workbench. The Workbench should be at a height where at least 10 holes in each bottom supporting frame post visible.



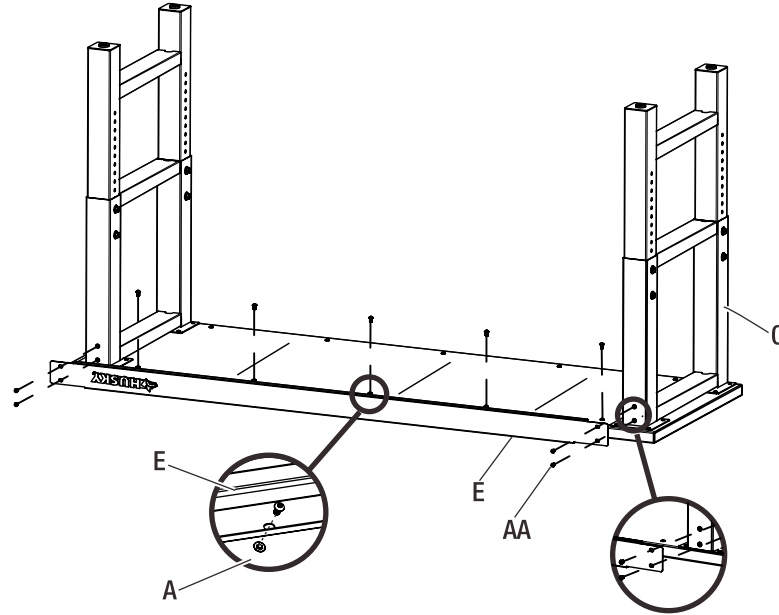
Husky 28" Base Cabinets with casters can be put under the Workbench. The Workbench should be at a height where 13 holes in each bottom supporting frame post visible.

- Insert the bottom supporting frames (D) into the square holes of the upper supporting frames (C).
- Adjust the height of the bottom supporting frames (D) to a desired height. Adjust from 28.3 in. to 42.1 in. in 1 in. increments.
- Attach the upper and bottom supporting frames (C & D) together with eight M8 x 85 hex bolts (DD) and washers (BB) in the holes of the supporting frames (C & D). Insert a washer (BB) and a M8 hex nut (CC) onto the end of each M8 x 85 hex bolt (DD). Tighten securely.



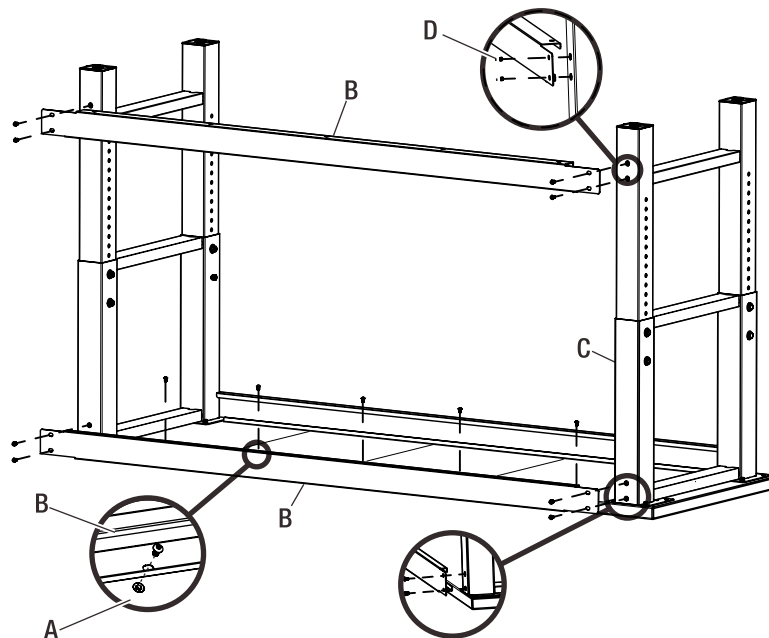
3 ATTACH THE FRONT STIFFENER

Attach the front stiffener (E) to the front top of the workbench with nine M6 x 16 hex socket head screws (AA). Tighten securely.



4 ATTACH THE BACK STIFFENERS

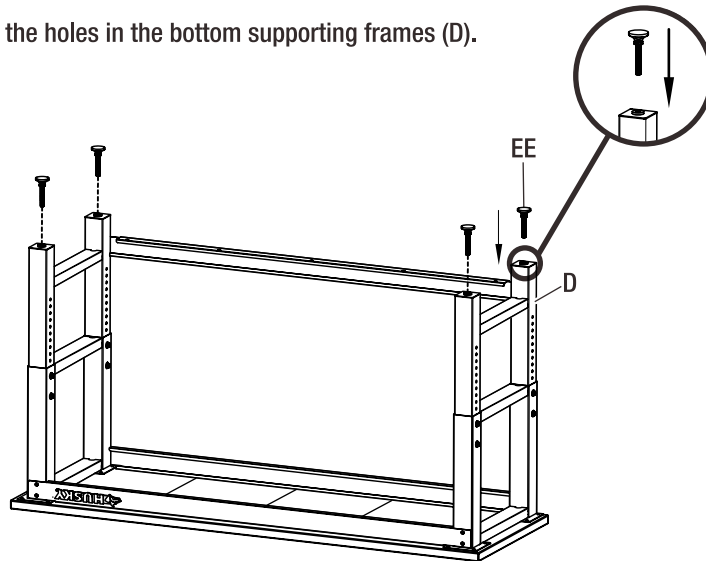
Attach the back stiffeners (B) to the back of the workbench with thirteen M6 x 16 hex socket head screws (AA). Tighten securely.



Assembly (continued)

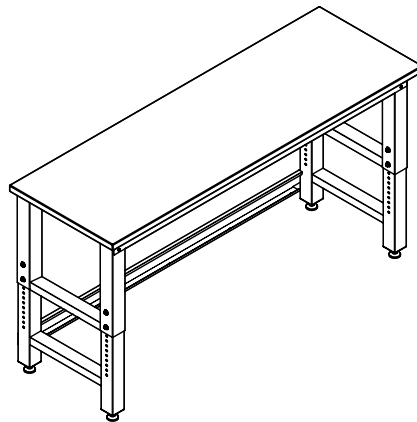
5 INSTALL THE ADJUSTABLE FEET

Screw the adjustable feet (EE) into the holes in the bottom supporting frames (D).



6 STAND UP THE WORKBENCH

Stand up the workbench and place it on the desired level floor. Adjust the feet if necessary to make the workbench stable.



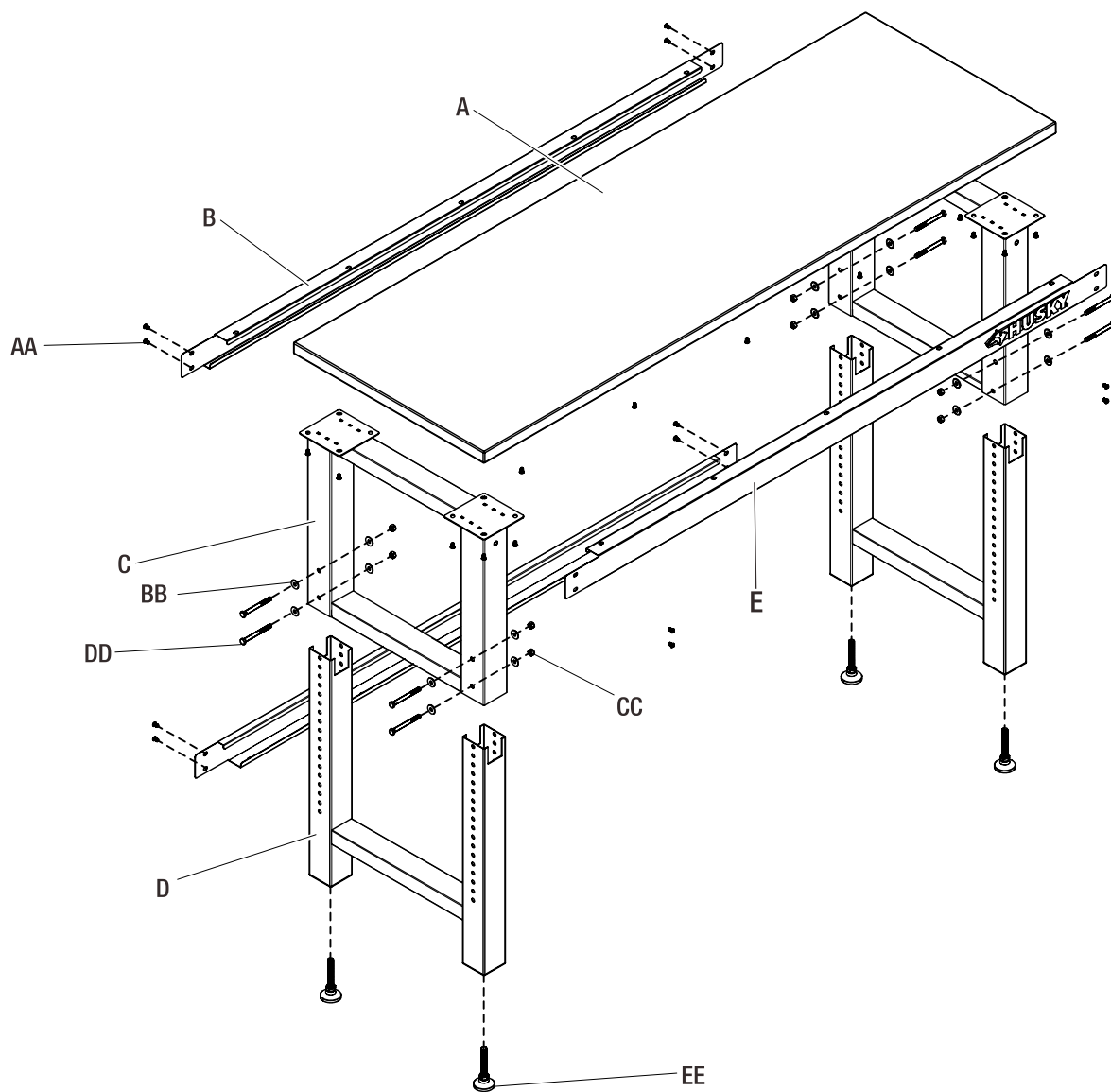
Maintenance

Check all nuts and bolts periodically for tightness. When required tighten them.

Care and Cleaning

- Periodically clean the workbench surfaces with a soft rag and water.
- Grease and oil can be removed with most standard cleaning fluids. For safety, use a nonflammable cleaning fluid.

Service Parts



Part	Replacement Part #	Description	Quantity
A	571210	Solid wood top	1
B	226689	Back stiffener	2
C	113485	Upper supporting frame	2
D	114029	Bottom supporting frame	2
E	226689-N01	Front stiffener	1

Part	Replacement Part #	Description	Quantity
AA	320327	M6 x 16 hex socket head screw	38
BB	324002	Washer	16
CC	323074	M8 hex nut	8
DD	321212	M8 x 85 hex bolt	8
EE	313068	Adjustable foot	4



Questions, problems, missing parts? Before returning to the store,
call Husky Customer Service
8 a.m.-5 p.m., EST, Monday-Friday

1-888-HD-HUSKY

WWW.HUSKYTOOLS.COM

Retain this manual for future use.



Item # 1001 509 633/
1001 486 809

Model # G2802W-US

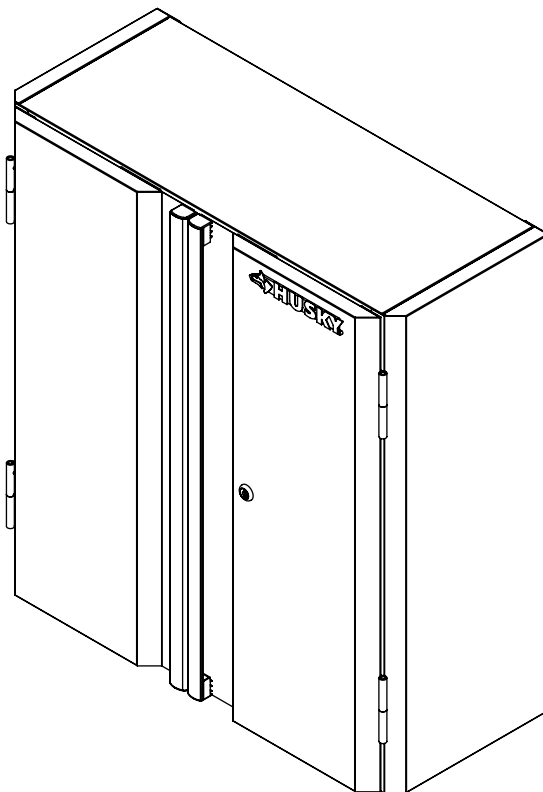
USE AND CARE GUIDE

28 IN. WALL CABINET

Questions, problems, missing parts?
Before returning to the store, call
Husky Customer Service
8 a.m. - 5 p.m., EST, Monday - Friday

1-888-HD-HUSKY

WWW.HUSKYTOOLS.COM



Due to continuing improvements,
the actual product may differ slightly
from the product described herein.

THANK YOU

We appreciate the trust and confidence you have placed in Husky through the purchase of this cabinet. We strive to continually create quality products designed to enhance your home. Visit us online to see our full line of products available for your home improvement needs. Thank you for choosing Husky!


Table of Contents


Table of Contents	2	Assembly	5
Safety Information	2	Maintenance	8
Warranty	2	Care and Cleaning	8
Specifications	2	Service Parts	9
Pre-Installation	3		


Safety Information


To reduce the risk of serious injury, read and follow the safety instructions below before assembling and using this product.


- This product is intended for indoor use only.
- This product is not designed for commercial nor industrial usage.


 Any assembly or maintenance of the product must be carried out by adults only.


 Arrange for necessary manpower when assembling, installing and moving the product.


 Close and lock the door before moving this product.


 DO NOT alter this product in any manner. For example, do not weld external bar locks or attach electrical equipment. This may cause product damage or personal injury.


 Keep the product on level surfaces. The product could become unstable and it may tip over if stored or moved on an uneven surface, which may cause personal injury, death or product damage.

 This product must be securely mounted on wall before using.

 DO NOT stand on this product. You may fall which may cause personal injury or death.

 DO NOT put anything on the top panel of this product.

 Check all nuts and bolts periodically for tightness. When required, tighten them.

 DO NOT leave children unattended near this product. Cabinet may tip over if improperly opened.

Warranty

This warranty excludes incidental/inconsequential damages and failures due to misuse, abuse or normal wear and tear.

This full warranty gives you specific rights, and you may also have other rights, which vary state to state.

Contact the customer service team at 1-888-HD-HUSKY or visit www.huskytools.com.

Specifications

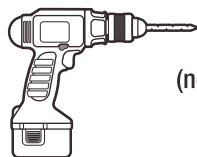
Maximum load for each door	11 lbs. / 5 kg
Maximum load for shelf	50 lbs. / 22.7 kg
Maximum load for bottom panel	50 lbs. / 22.7 kg
Maximum total load	122 lbs. / 55.4 kg

Pre-Installation

TOOLS REQUIRED



Hex Wrench
(Hex Key)



Drill
(not included)



Safety Goggles
(not included)



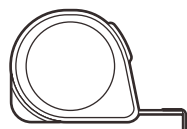
Level
(not included)



socket (10mm)
(not included)



Hex Screwdriver Bit



Measuring tape
(not included)

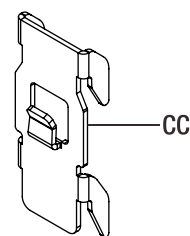
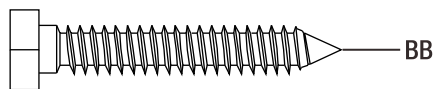


Gloves
(not included)

HARDWARE INCLUDED



NOTE: Screws and bolts shown to actual size.

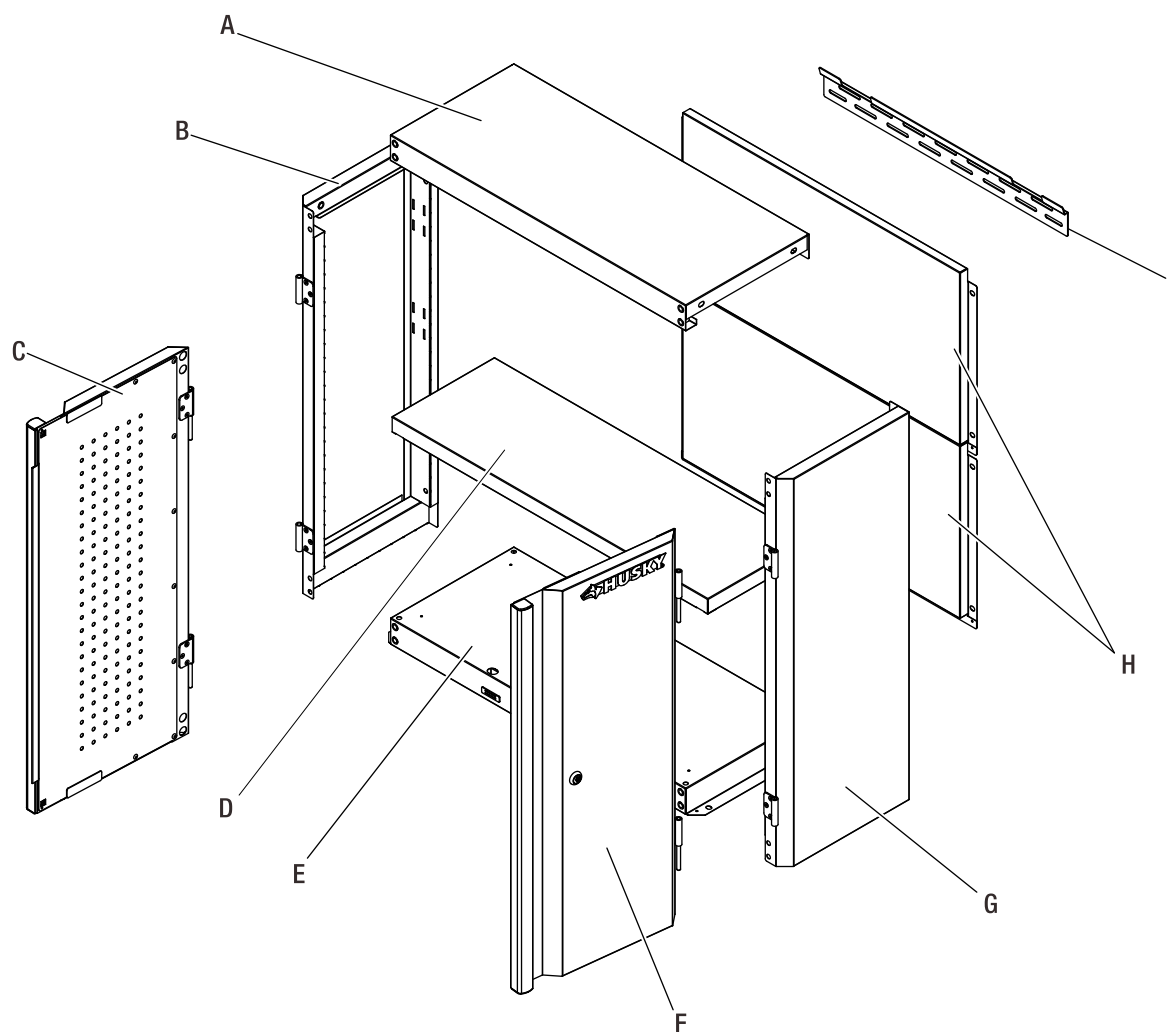


Part	Description	Quantity
AA	M6 x 16 hex socket head screw	28
BB	M6 x 40 hex tapping bolt	2
CC	Shelf bracket	4
DD	M6 x 16 hex socket head cap screw	2



Pre-Installation (continued)

PACKAGE CONTENTS



Part	Description	Quantity
A	Top panel	1
B	Left side panel	1
C	Left door	1
D	Shelf	1
E	Bottom panel	1

Part	Description	Quantity
F	Right door	1
G	Right side panel	1
H	Back panel	2
I	Mounting bracket	1

Assembly



NOTE: Assemble on a flat surface. A piece of cardboard is recommended to keep the product from being scratched during assembly.



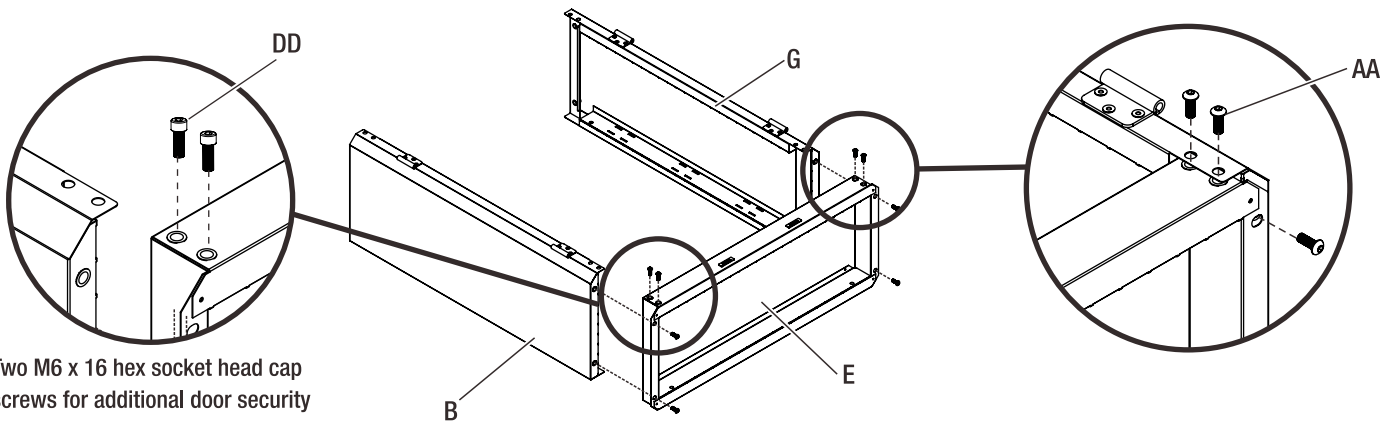
Please wear gloves during the whole assembling process.

1 ATTACH THE BOTTOM AND SIDE PANELS



Two M6 x 16 hex socket head cap screws (DD) (security screws) should be fixed to the left bottom face of cabinet for additional door security.

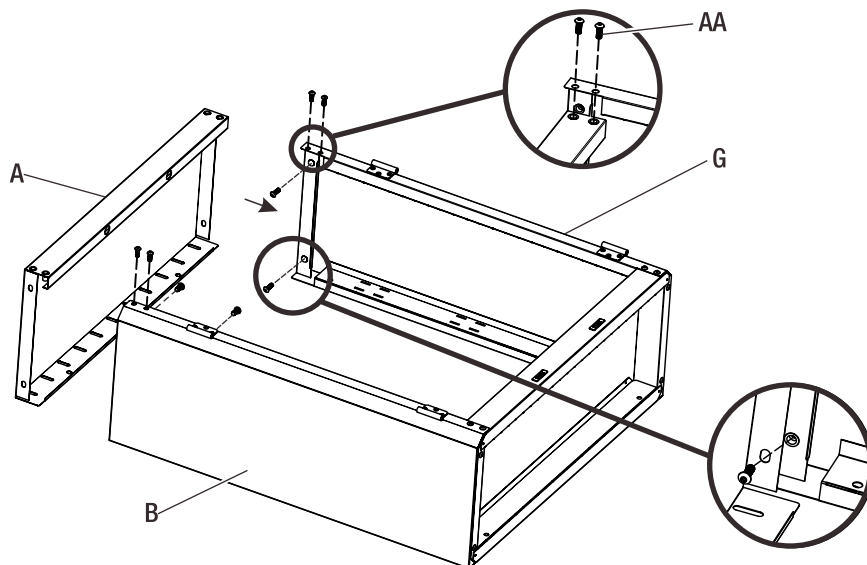
Attach the side panels (B & G) to the bottom panel (E) with two M6 x 16 hex socket head cap screws (DD) (security screws) and six M6 x 16 hex socket head screws (AA).



Two M6 x 16 hex socket head cap screws for additional door security

2 ATTACH THE TOP PANEL

Attach the top panel (A) to the side panels (B & G) with eight M6 x 16 hex socket head screw (AA). Insert the screws by hand. DO NOT tighten.



Assembly (continued)

3 ATTACH THE BACK PANELS

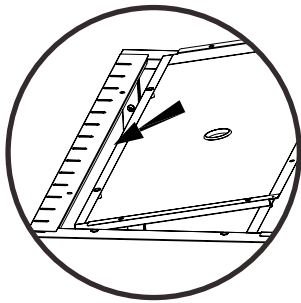


Make sure your floor is free of debris or the cabinet face is protected before laying the cabinet on its face.

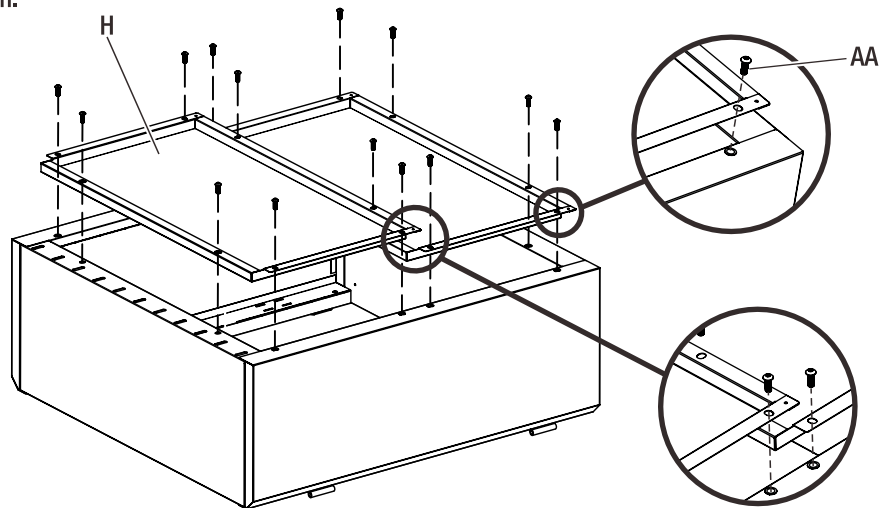


The top edge of the top back panel should be inserted under the back of the top panel.

- Lay the cabinet on its face.
- Attach two back panels (H) to the back of the cabinet with fourteen M6 x 16 hex socket head screws (AA). Insert the screws by hand. DO NOT tighten.

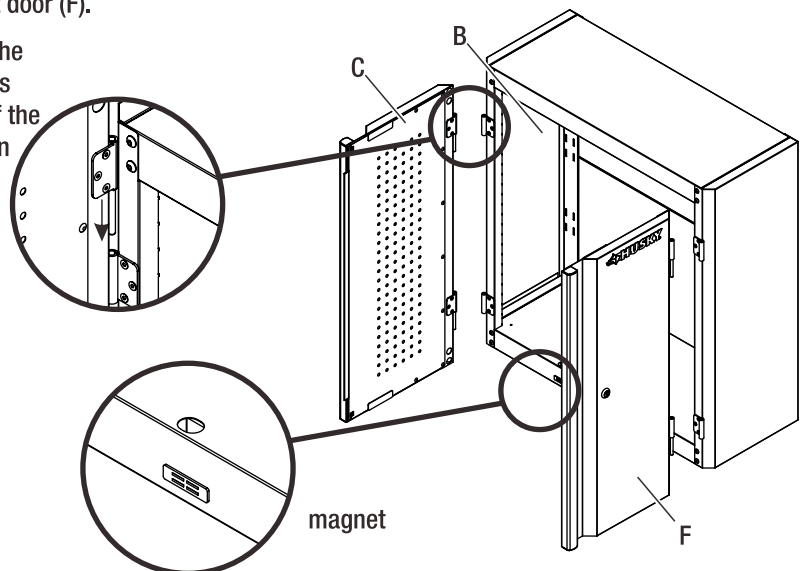


Insert the top edge of top back panel under the top panel.



4 ATTACH THE DOORS

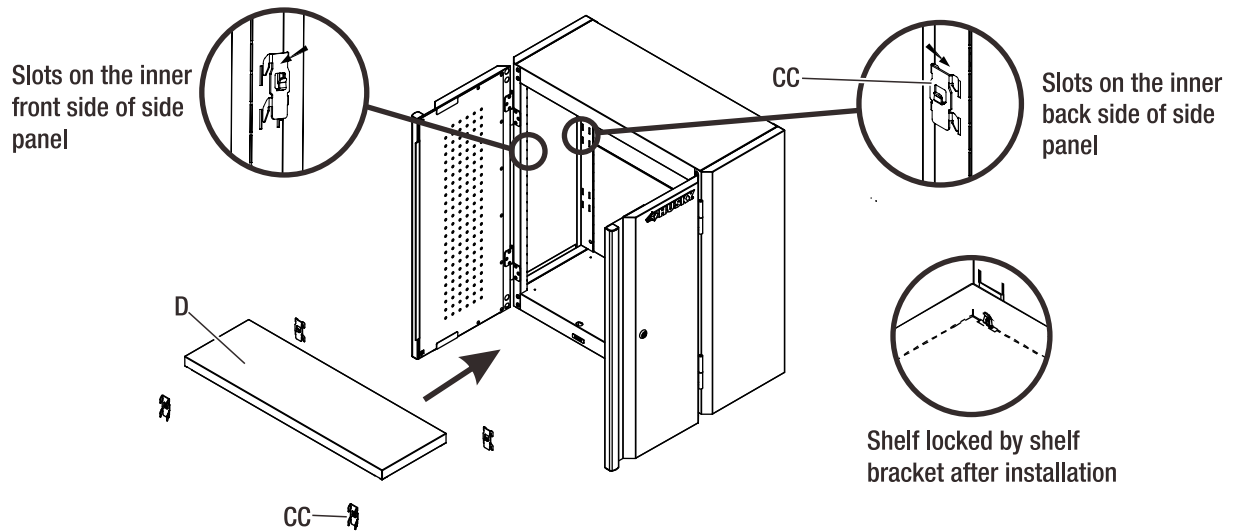
- Simply insert the pins from the hinges on the left door (C) into the slots of the bottom hinges at the front of the left side panel (B).
- Repeat the same procedure to attach the right door (F).
- Close the doors to see if the doors can touch the magnets completely. If not, adjust the cabinet's top and side panels to make sure the shape of the cabinet is square and flush. Until the doors can catch the magnets completely, tighten the top and back panels' screws.



Assembly (continued)

5 INSTALL THE SHELF

Insert four shelf brackets (CC) into the slots on the side panels (B & G) at the desired height. Make sure the four brackets (CC) are at the same height. Place the shelf (D) over the shelf brackets (CC), and push it down onto the shelf brackets. Make sure the shelf (D) is properly and safely locked by the upright hooks of the shelf brackets.



6 INSTALL THE MOUNTING BRACKET



The M6 x 40 hex tapping bolts (BB) should be drilled into the studs of the wall.

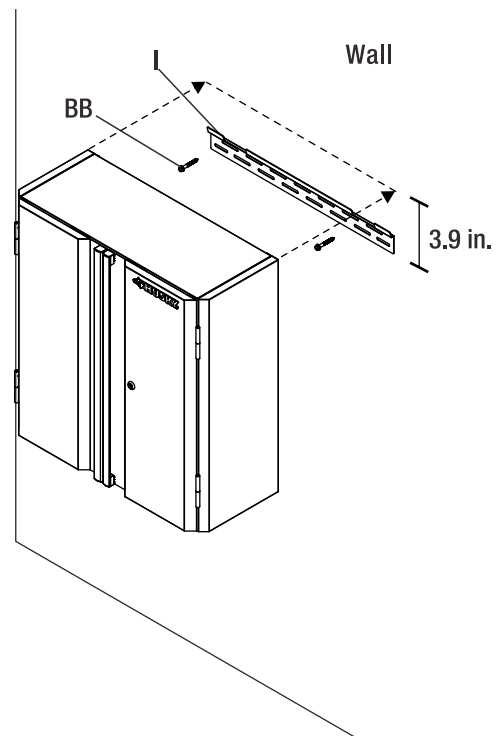


The mounting bracket should be level after installing on the wall.



Wear safety glasses when drilling the screws into the wall.

- Decide the location of the wall cabinet on the wall first to find the location of the mounting bracket (I). The bottom edge of the mounting bracket (I) should be 3.9 in. away below the cabinet's top edge.
- Install the mounting bracket (I) on the wall with two M6 x 40 hex tapping bolts (BB).



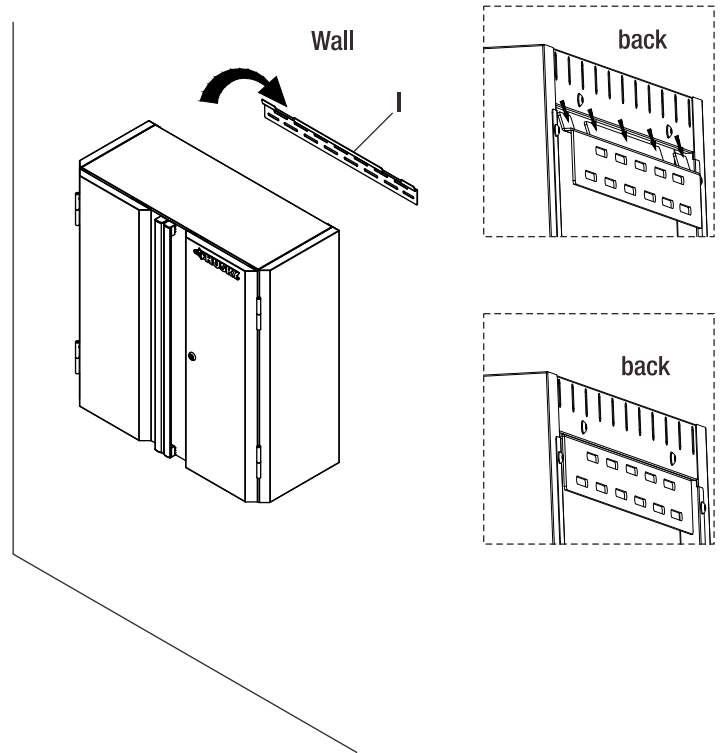
Assembly (continued)

7 HANG THE CABINET



Make sure the wall cabinet is securely attached to the mounting bracket.

Hang the wall cabinet onto the mounting bracket (I).



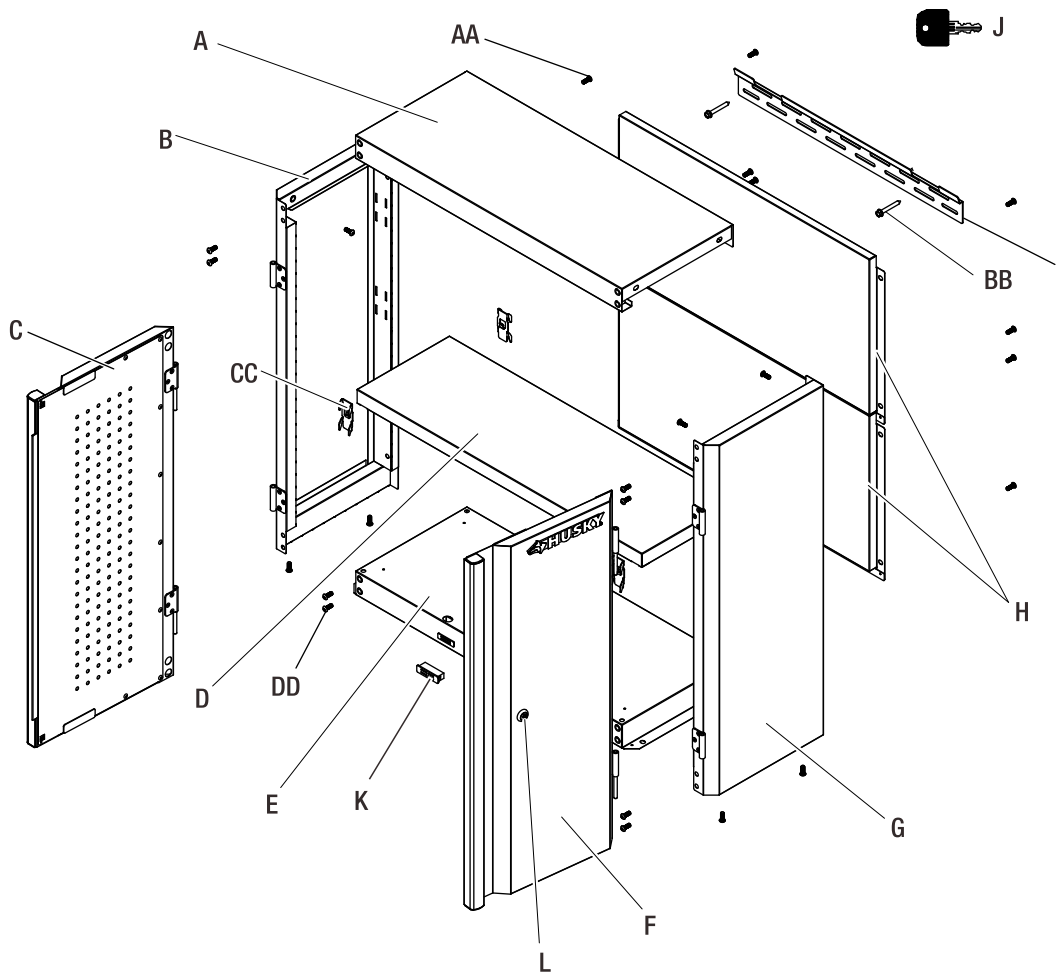
Maintenance

- Check all the screws and nuts periodically for tightness. Tighten them when necessary.

Care and Cleaning

- Periodically clean the surfaces with a soft rag and water.
- Grease and oil can be removed with most standard cleaning fluids. For safety, use a nonflammable cleaning fluid.

Service Parts



Part	Replacement Part #	Description	Quantity
J	304213	Key	2
A	113557	Top panel	1
B	113535	Left side panel	1
C	115891	Left door	1
D	226829	Shelf	1
E	113554	Bottom panel	1
F	115892	Right door	1
G	113536	Right side panel	1

Part	Replacement Part #	Description	Quantity
H	113539	Back panel	2
I	226833	Mounting bracket	1
K	312033	Magnet	2
L	304212	Lock	1
AA	320327	M6 x 16 hex socket head screw	28
BB	320328	M6 x 40 hex tapping bolt	2
CC	226078	Shelf bracket	4
DD	320332	M6 x 16 hex socket head cap screw	2



Replacement keys may be ordered. Call 1-844-370-2288 .



Questions, problems, missing parts? Before returning to the store,
call Husky Customer Service
8 a.m.-5 p.m., EST, Monday-Friday

1-888-HD-HUSKY

WWW.HUSKYTOOLS.COM

Retain this manual for future use.



Item # 1001 509 635/
1001 488 133
Model # G3602T-US

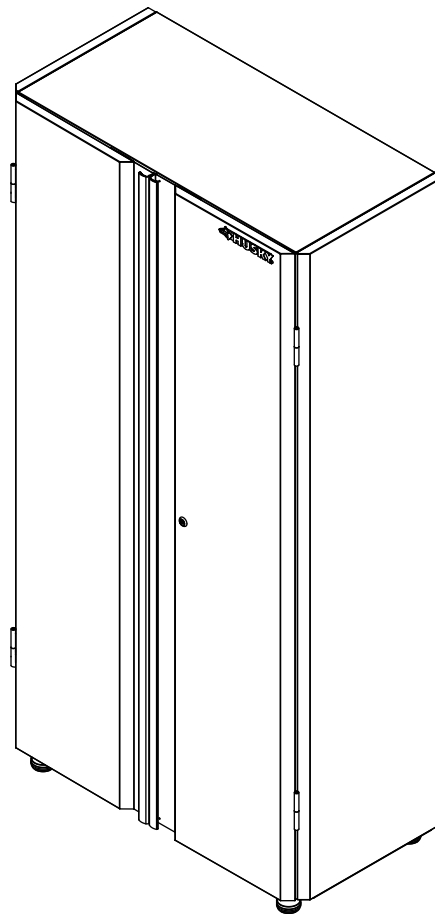
USE AND CARE GUIDE

36 IN. STORAGE CABINET

Questions, problems, missing parts?
Before returning to the store, call
Husky Customer Service
8 a.m. - 5 p.m., EST, Monday - Friday

1-888-HD-HUSKY

WWW.HUSKYTOOLS.COM



Due to continuing improvements,
the actual product may differ slightly
from the product described herein.

THANK YOU

We appreciate the trust and confidence you have placed in Husky through the purchase of this cabinet. We strive to continually create quality products designed to enhance your home. Visit us online to see our full line of products available for your home improvement needs. Thank you for choosing Husky!


Table of Contents


Table of Contents	2	Assembly	5
Safety Information	2	Maintenance	8
Warranty	2	Care and Cleaning	8
Specifications	3	Service Parts	9
Pre-Installation	3		

Safety Information

To reduce the risk of serious injury, read and follow the safety instructions below before assembling and using this product.

- This product is intended for indoor use only.
- This product is not designed for commercial nor industrial usage.


 Use at least two people to move, assemble or install this product. Failure to do so can result in personal injury or product damage.


 Close and lock the doors before moving this product.

 DO NOT alter this product in any manner. For example, do not weld external bar locks or attach electrical equipment. This may cause product damage or personal injury.

 Check all nuts and bolts periodically for tightness. When required, tighten them.

 DO NOT leave children unattended near this product. Cabinet may tip over if improperly opened.

 Keep the product on level surfaces. The product could become unstable and it may tip over if stored or moved on an uneven surface, which may cause personal injury, death or product damage.

 Any assembly or maintenance of the product must be carried out by adults only.

 DO NOT stand on the product and do not use it as scaffold.

 It is always recommended to secure this product to the wall with the anti-tip hardware provided.

 DO NOT put anything on the top panel of this product.

Warranty

This warranty excludes incidental/inconsequential damages and failures due to misuse, abuse or normal wear and tear.

This full warranty gives you specific rights, and you may also have other rights, which vary state to state.

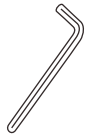
Contact the customer service team at 1-888-HD-HUSKY or visit www.huskytools.com.

Specifications

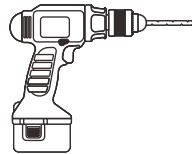
Maximum load for each door	11 lbs. / 5 kg
Maximum load for each shelf	150 lbs. / 68 kg
Maximum load for bottom panel	150 lbs. / 68 kg
Maximum total load	622 lbs. / 282 kg

Pre-Installation

TOOLS REQUIRED



Hex Wrench (Hex Key)



Drill
(not included)



Safety Goggles
(not included)



Socket (10mm)
(not included)



Hex Screwdriver Bit

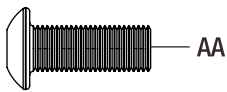


Gloves
(not included)

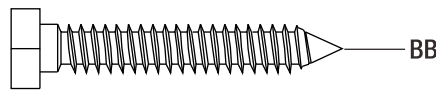
HARDWARE INCLUDED



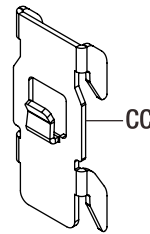
NOTE: Screws & bolts shown to actual size.



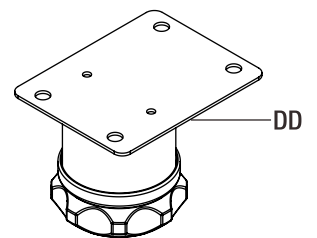
AA



BB

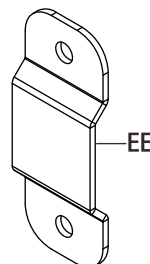


CC



DD

Part	Description	Quantity
AA	M6 x 16 hex socket head screw	62
BB	M6 x 40 hex tapping bolt	2
CC	Shelf bracket	12
DD	Adjustable foot	4
EE	Safety bracket	1
FF	M6 x 16 hex socket head cap screw	2



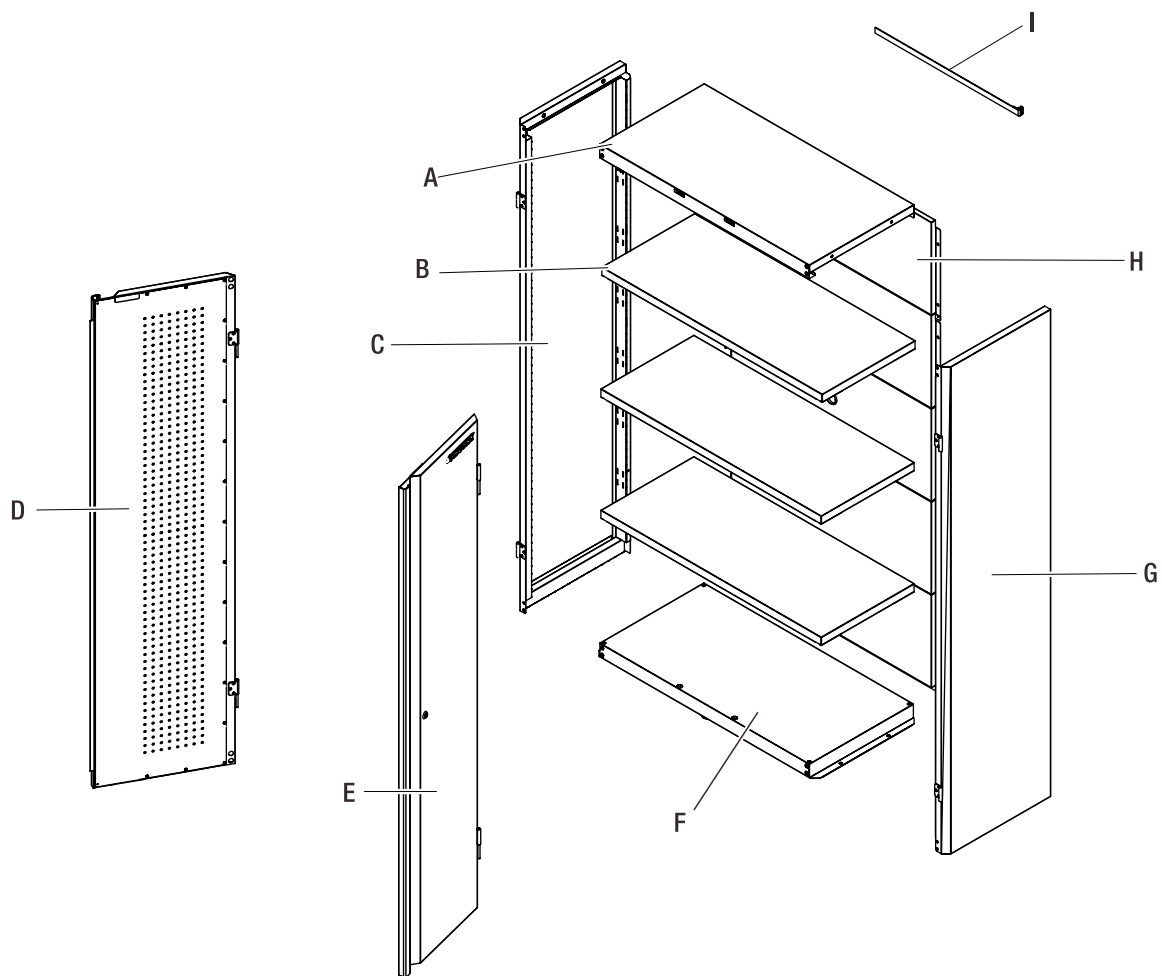
EE



FF

Pre-Installation (continued)

PACKAGE CONTENTS



Part	Description	Quantity
A	Top panel	1
B	Shelf	3
C	Left side panel	1
D	Left door	1
E	Right door	1

Part	Description	Quantity
F	Bottom panel	1
G	Right side panel	1
H	Back panel	5
I	Safety strap	1

Assembly



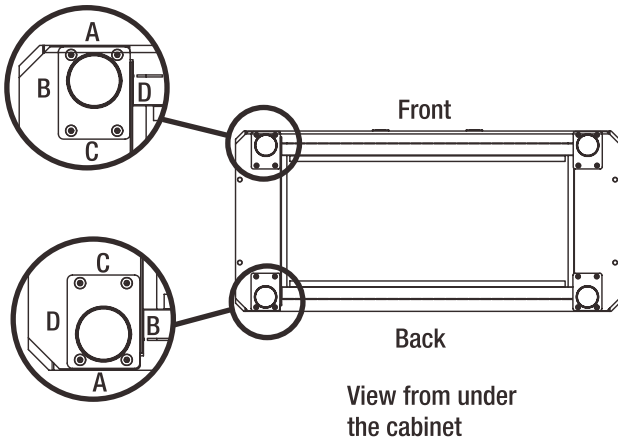
NOTE: Assemble on a flat surface. A piece of cardboard is recommended to keep the product from being scratched during assembly.



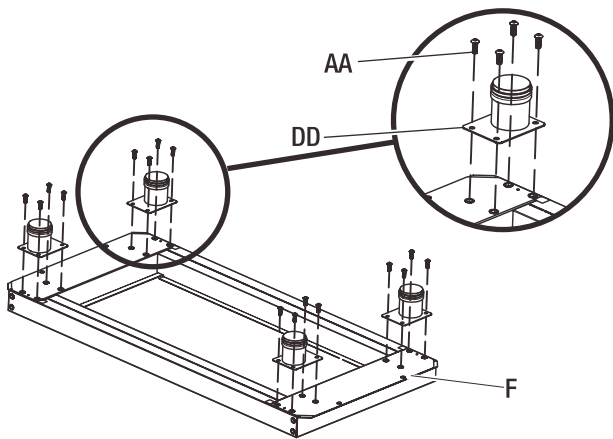
Please wear gloves during the whole assembling process.

1 INSTALL THE ADJUSTABLE FEET

Install the adjustable feet (DD) to the bottom panel (F). Make sure side A of the adjustable feet (DD) are facing either towards the back or the front of the cabinet. Tighten securely with sixteen M6 x 16 hex socket head screws (AA).



View from under the cabinet

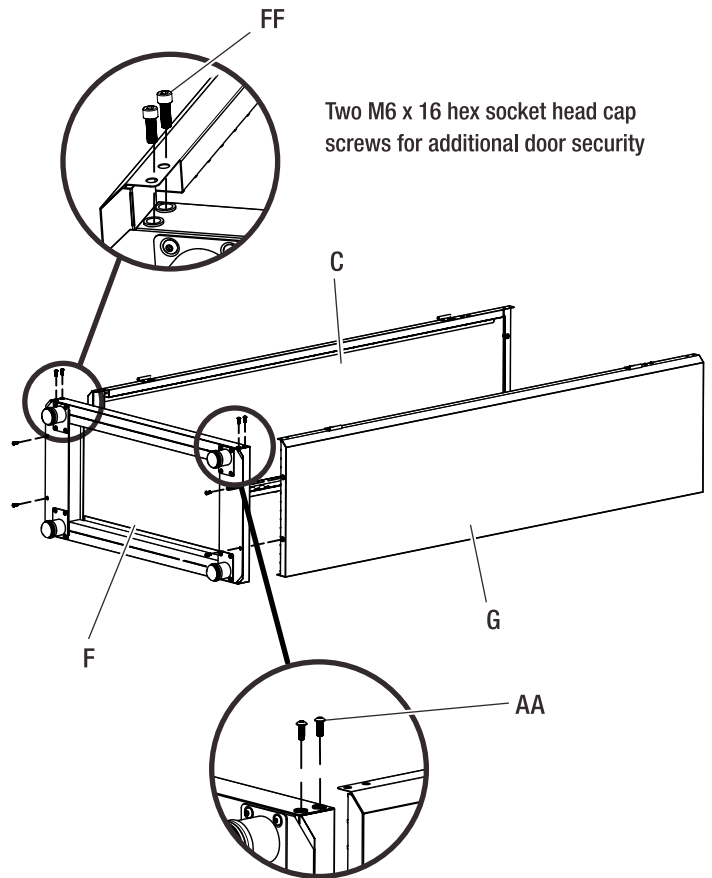


2 ATTACH THE SIDE AND BOTTOM PANELS



Two M6 x 16 hex socket head cap screws (FF) (security screws) should be fixed to the left bottom face of cabinet for additional door security.

Attach the side panels (C & G) to the bottom panel (F) with two M6 x 16 hex socket head cap screws (FF) (security screws) and six M6 x 16 hex socket head screws (AA).

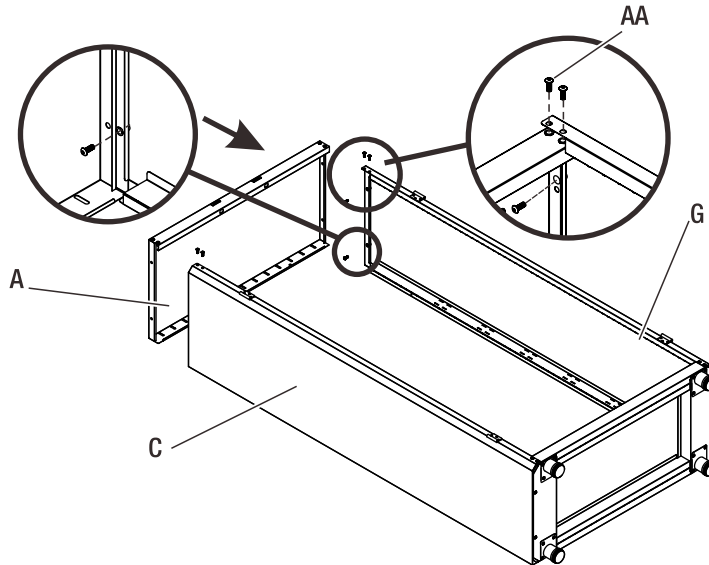


Two M6 x 16 hex socket head cap screws for additional door security

Assembly (continued)

3 ATTACH THE TOP PANEL

Attach the top panel (A) to the side panels (C & G) with eight M6 x 16 hex socket head screws (AA). Insert the screws by hand. DO NOT tighten.



4 ATTACH THE BACK PANELS

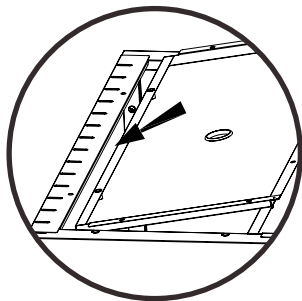


Make sure your floor is free of debris or the cabinet face is protected before laying the cabinet on its face.

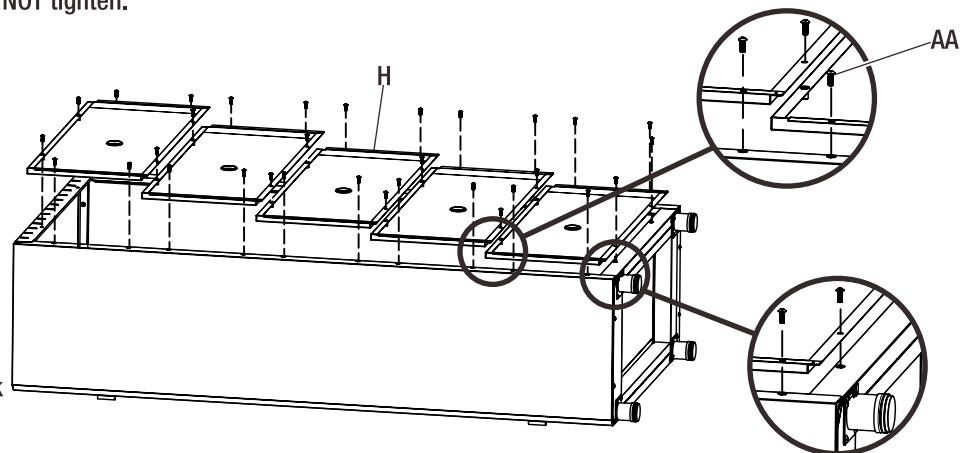


The top edge of the top back panel should be inserted under the back of the top panel.

- Lay the cabinet on its face.
- Attach the back panels (H) to the back of the cabinet with thirty-two M6 x 16 hex socket head screws (AA). Insert the screws by hand. DO NOT tighten.



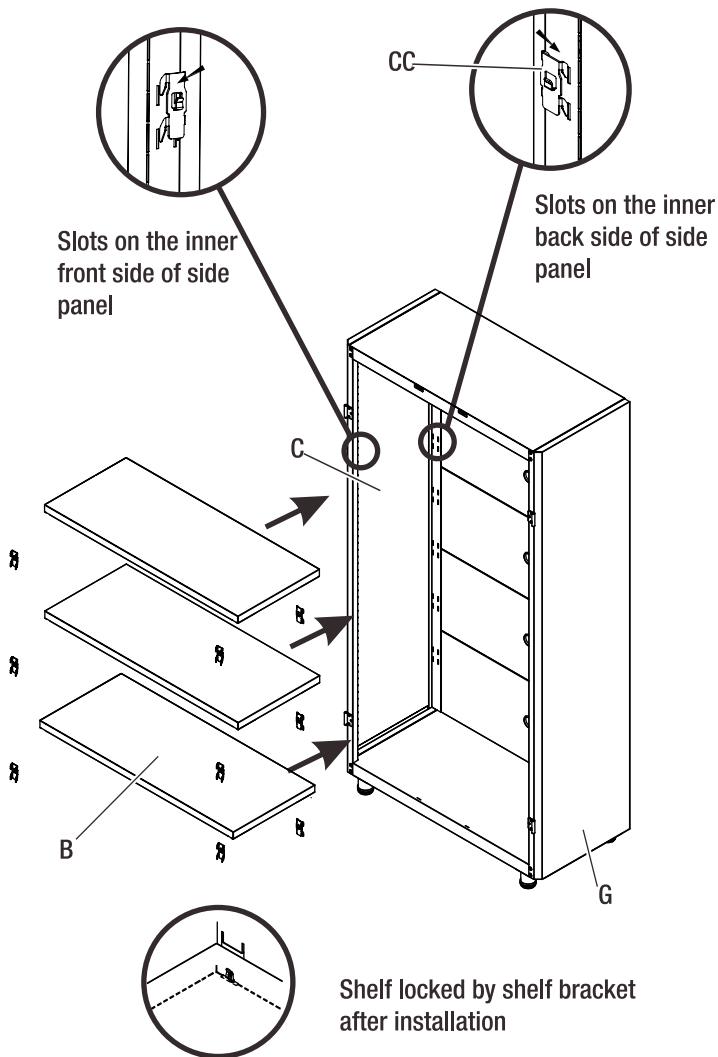
Insert the top edge of top back panel under the top panel.



Assembly (continued)

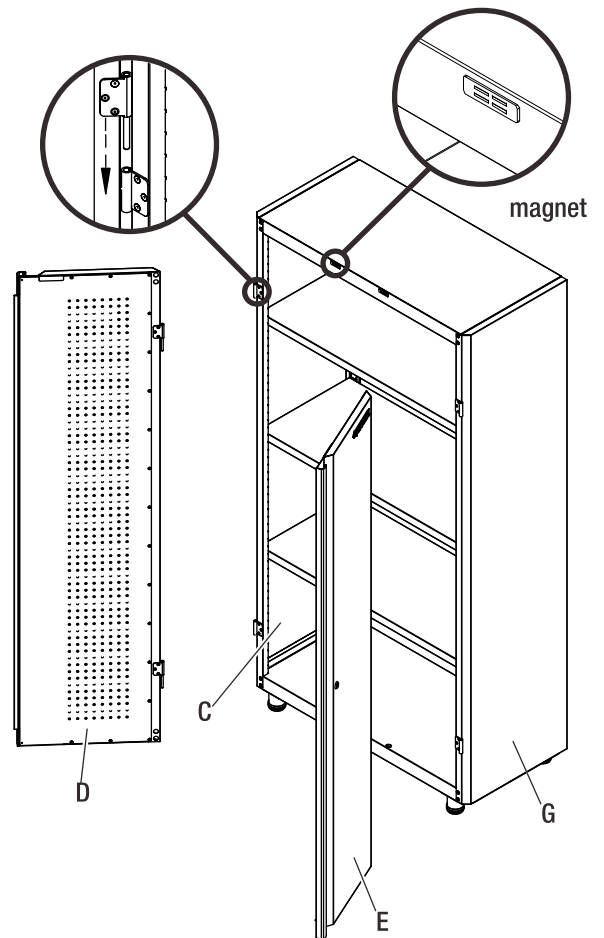
5 INSTALL THE SHELVES

- Insert twelve shelf brackets (CC) into the slots on the side panels (C & G) at the desired heights. Make sure the four brackets (CC) for each shelf (B) are at the same height.
- Place the shelves (B) over the shelf brackets (CC), and push them down onto the shelf brackets.
- Make sure the shelves (B) are properly and safely locked by the upright hooks on the shelf brackets.



6 ATTACH THE DOORS

- Insert the pins from the hinges on the left door (D) into the slots of the bottom hinges at the front of the left side panel (C).
- Repeat the same procedure to attach the right door (E).
- Close the doors to see if the doors can touch the magnets completely. If not, adjust the cabinet's top and side panels to make sure the shape of the cabinet is square and flush. Until the doors can catch the magnets completely, tighten the top and back panels' screws.



Assembly (continued)

7 CONNECT THE CABINET TO THE WALL

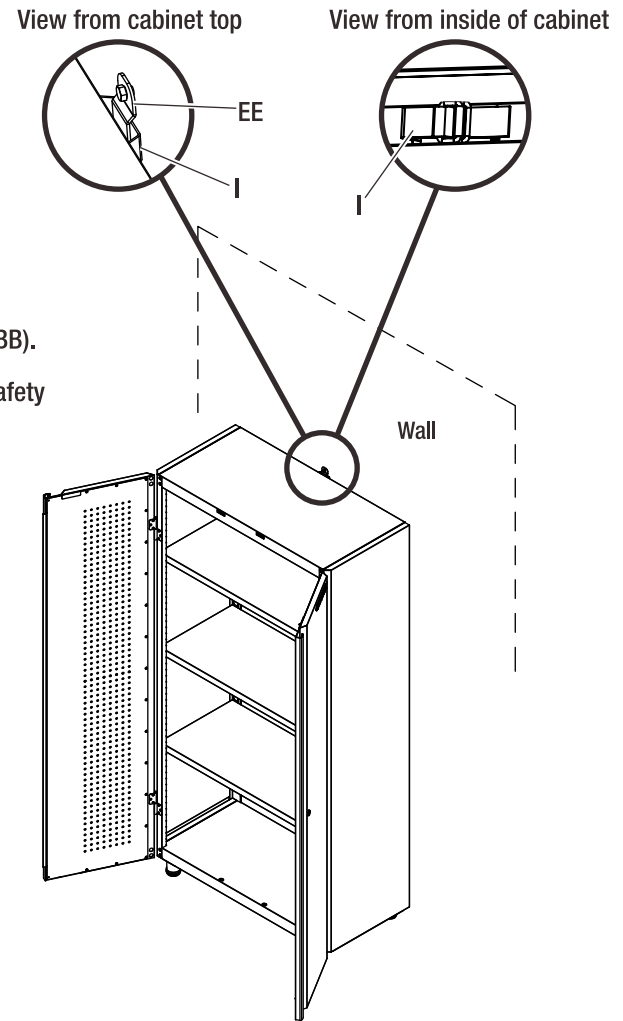
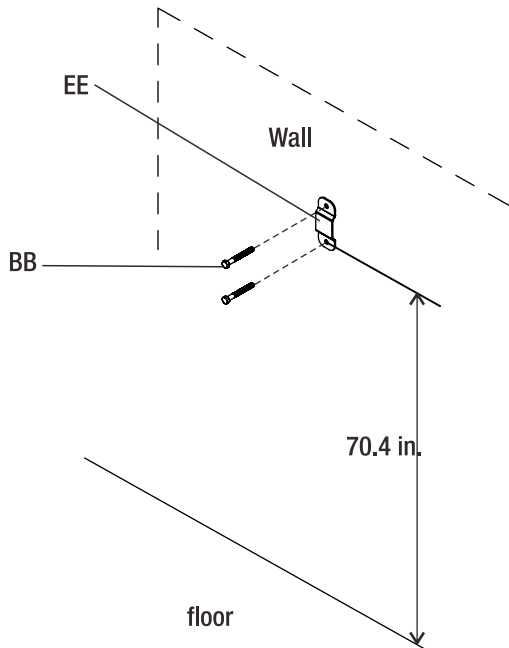


The M6 x 40 hex tapping bolts (BB) should be drilled into the stud of the wall.



The safety bracket's bottom M6 x 40 hex tapping bolt should be 70.4 in. from the floor.

- Install the safety bracket (EE) to the wall with two M6 x 40 hex tapping bolts (BB).
- Fasten the tall cabinet by using the safety strap (I) to tie the tall cabinet and safety bracket (EE) together. Tighten securely.



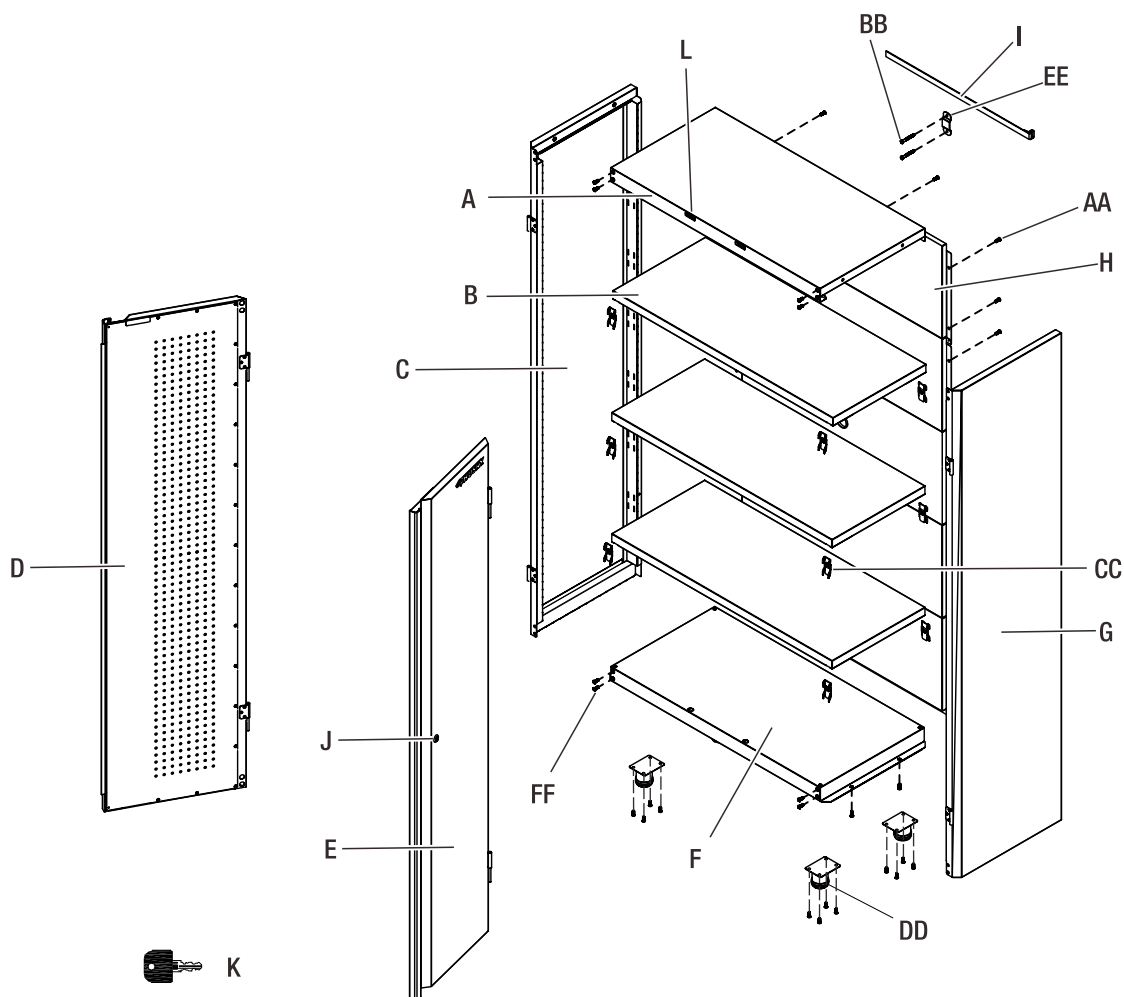
Maintenance

- Check all the screws and nuts periodically for tightness. Tighten them when necessary.
- Check the safety strap periodically for tightness. Tighten it when necessary.

Care and Cleaning

- Periodically clean the surfaces with a soft rag and water.
- Grease and oil can be removed with most standard cleaning fluids. For safety, use a nonflammable cleaning fluid.

Service Parts



Part	Replacement Part #	Description	Quantity
K	304213	Key	2
A	113179	Top panel	1
B	226383	Shelf	3
C	113175	Left side panel	1
D	113185	Left door	1
E	113186	Right door	1
F	113180	Bottom panel	1
G	113176	Right side panel	1
H	113177	Back panel	5

Part	Replacement Part #	Description	Quantity
I	314230	Safety strap	1
J	304212	Lock	1
L	312033	Magnet	2
AA	320327	M6 x 16 hex socket head screw	62
BB	320328	M6 x 40 hex tapping bolt	2
CC	226078	Shelf bracket	12
DD	313066	Adjustable foot	4
EE	314230	Safety bracket	1
FF	320332	M6 x 16 hex socket head cap screw	2



Replacement keys may be ordered. Call 1-844-370-2288 .



Questions, problems, missing parts? Before returning to the store,
call Husky Customer Service
8 a.m.-5 p.m., EST, Monday-Friday

1-888-HD-HUSKY

WWW.HUSKYTOOLS.COM

Retain this manual for future use.



Item # 1001 574 802/
1001 566 684
Model # G0502AC-US

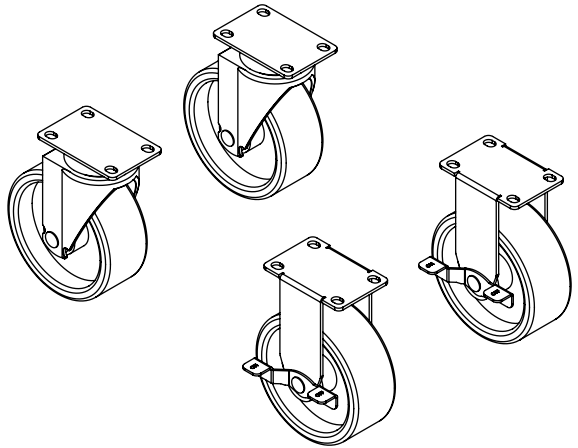
USE AND CARE GUIDE

5 IN. x 2 IN. CASTER SET

Questions, problems, missing parts?
Before returning to the store, call
Husky Customer Service
8 a.m. - 5 p.m., EST, Monday - Friday

1-888-HD-HUSKY

WWW.HUSKYTOOLS.COM



Due to continuing improvements,
the actual product may differ slightly
from the product described herein.

THANK YOU

We appreciate the trust and confidence you have placed in Husky through the purchase of this caster set. We strive to continually create quality products designed to enhance your home. Visit us online to see our full line of products available for your home improvement needs. Thank you for choosing Husky!

Table of Contents

Table of Contents	2
Safety Information	2
Warranty	2
Specifications	2
Pre-Installation	2

Assembly	3
Maintenance	3
Care and Cleaning	3
Service Parts	3

Safety Information

To reduce the risk of serious injury, read and follow the safety instructions below before assembling and using this product.

- This product is intended for indoor use only.
- This product is not designed for commercial nor industrial usage.



CAUTION: This caster set is for Husky 28 in. 4-drawer base cabinet and Husky 28 in. 2-door base cabinet only.



CAUTION: Check all nuts and bolts periodically for tightness. When required, tighten them again.



WARNING: Any assembly or maintenance of the product must be carried out by adults only.



WARNING: Wear safety glasses when removing or repositioning the casters. The tool could slip, causing personal injury.



CAUTION: DO NOT move the base cabinet when the caster are braked. DO NOT use casters on rough or uneven surface.



CAUTION: DO NOT over load. This may cause caster to collapse and /or base cabinet to tip over with serious personal injury, or product damage.

Warranty

3 year Limited Warranty. This warranty excludes incidental/inconsequential damages and failures due to misuse, abuse or normal wear and tear. This full warranty gives you specific rights, and you may also have other rights, which vary state to state.

Contact the customer service team at 1-888-HD-HUSKY or visit www.huskytools.com.

Specifications

Maximum load for each caster

220 lbs. / 100 kg

Pre-Installation

TOOLS REQUIRED



Phillips Screwdriver (not included)



Open End Wrench (10mm) (not included)



Safety Goggles (not included)



Gloves (not included)

HARDWARE INCLUDED



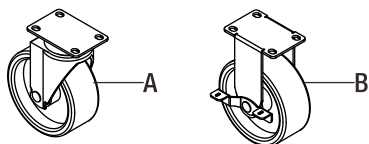
NOTE: Bolt shown to actual size.



Part	Description	Quantity
AA	M6 x 16 hex flange bolt	16

Pre-Installation (continued)

PACKAGE CONTENTS



Part	Description	Quantity
A	Swivel caster	2
B	Rigid caster	2

Assembly

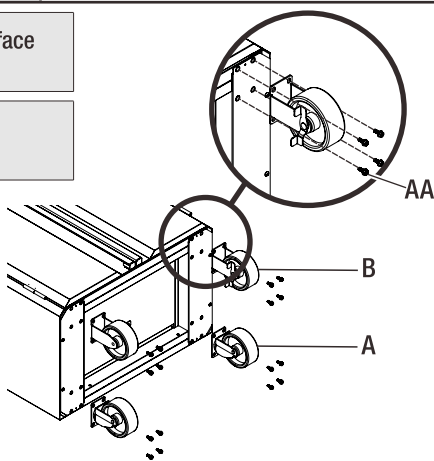


CAUTION: Make sure the brakes of the rigid casters face towards the inside of the base cabinet.



CAUTION: Please wear gloves during the whole assembling process.

- Carefully lay the base cabinet on its back, with a soft mat underneath for protection.
- Position the two swivel casters (A) on the back side of the base cabinet. Insert eight M6 x 16 hex flange bolts (AA) through the casters and into the bottom of the base cabinet. Tighten securely.
- Repeat the same procedure to install the two rigid casters (B) on the front side of the base cabinet. The brakes of the rigid casters (B) should face towards the inside of the base cabinet.



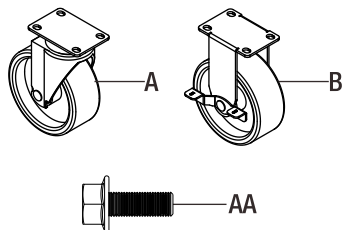
Maintenance

Check all the bolts and nuts periodically for tightness. Tighten them when necessary.

Care and Cleaning

- Clean the caster surfaces periodically with a soft rag and water.
- Grease and oil can be removed with most standard cleaning fluids. For safety, use a nonflammable cleaning fluid.

Service Parts



Part	Replacement Part #	Description	Quantity
A	302201	Swivel caster	2
B	302200	Rigid caster	2
AA	321006	M6 x 16 hex flange bolt	16



Questions, problems, missing parts? Before returning to the store,
call Husky Customer Service
8 a.m.-5 p.m., EST, Monday-Friday

1-888-HD-HUSKY

WWW.HUSKYTOOLS.COM

Retain this manual for future use.

Item # 1001 624 009
Model # G3600AP-US



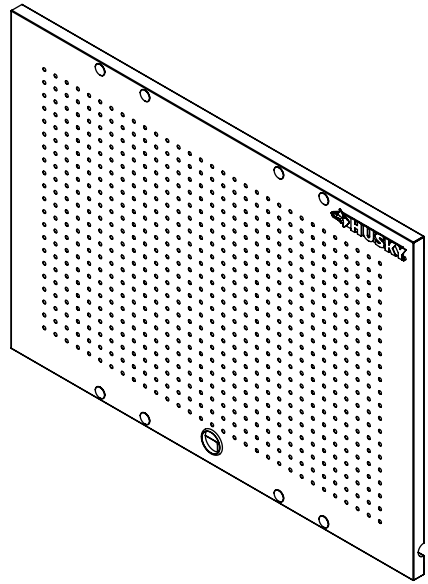
USE AND CARE GUIDE

36 IN. PEGBOARD

Questions, problems, missing parts?
Before returning to the store, call
Husky Customer Service
8 a.m. - 5 p.m., EST, Monday - Friday

1-888-HD-HUSKY

WWW.HUSKYTOOLS.COM



Due to continuing improvements,
the actual product may differ slightly
from the product described herein.

THANK YOU

We appreciate the trust and confidence you have placed in Husky through the purchase of this pegboard. We strive to continually create quality products designed to enhance your home. Visit us online to see our full line of products available for your home improvement needs. Thank you for choosing Husky!

Table of Contents

Table of Contents	2	Assembly	3
Safety Information	2	Coordinating Products	4
Warranty	2	Maintenance	4
Specifications	2	Care and Cleaning	4
Pre-Installation	2	Service Parts	4

Safety Information

To reduce the risk of serious injury, read and follow the safety instructions below before assembling and using this product.

- This product is intended for indoor use only.
- This product is not designed for commercial nor industrial usage.



CAUTION: Any assembly or maintenance of the product must be carried out by adults only.



CAUTION: Arrange for necessary manpower when assembling, installing and moving the product.



CAUTION: DO NOT alter this product in any manner. For example, do not weld external bar locks or attach electrical equipment. This may cause product damage or personal injury.



WARNING: Keep the product on level surfaces. The product could become unstable and it may tip over if stored or moved on an uneven surface, which may cause personal injury, death or product damage.



WARNING: This product must be securely mounted on wall before using.



WARNING: DO NOT stand on this product. You may fall which may cause personal injury or death.



CAUTION: Check all nuts and bolts periodically for tightness. When required, tighten them.



CAUTION: DO NOT leave children unattended near this product.

Warranty

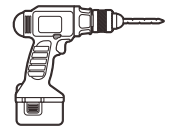
This warranty excludes incidental/inconsequential damages and failures due to misuse, abuse or normal wear and tear. This full warranty gives you specific rights, and you may also have other rights, which vary state to state. Contact the customer service team at 1-888-HD-HUSKY or visit www.huskytools.com.

Specifications

Maximum load for pegboard	50 lbs. / 22.7 kg
---------------------------	-------------------

Pre-Installation

TOOLS REQUIRED



Drill
(not included)



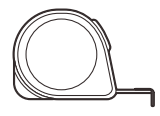
Safety Goggles
(not included)



Socket (10 mm)
(not included)



Level
(not included)



Measuring Tape
(not included)



Gloves
(not included)

Pre-Installation (continued)

HARDWARE INCLUDED

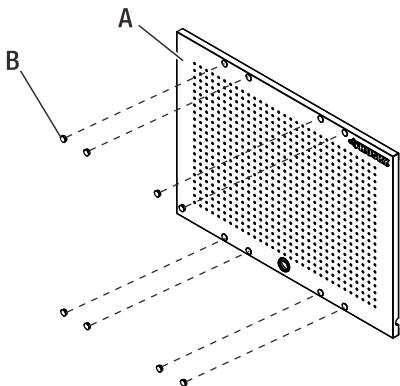


NOTE: Bolt not shown to actual size.



Part	Description	Quantity
AA	M6 x 40 hex tapping bolt	8

PACKAGE CONTENTS



Part	Description	Quantity
A	Pegboard	2
B	Plastic cover	16

Assembly

HANG THE PEGBOARD

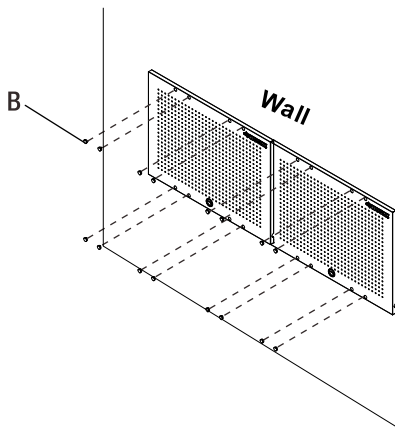
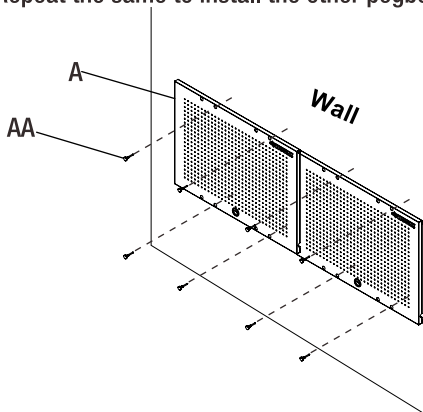


CAUTION: Please wear gloves during the whole assembling process.

- Install the pegboard (A) to the wall with four M6 x 40 hex tapping bolts (AA) using a power drill.
- Cover the eight holes with plastic covers (B). Make sure the pegboard is securely in place.
- Repeat the same to install the other pegboard (A).

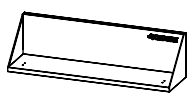
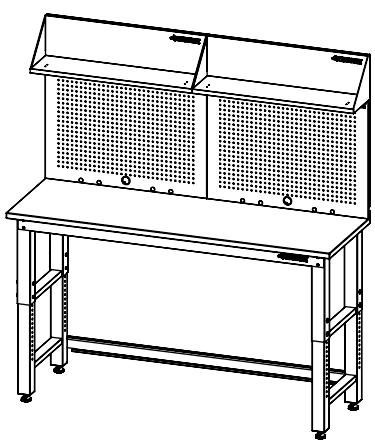


CAUTION: It is recommended to insert the M6 x 40 hex tapping bolts (AA) into the studs of the wall. Loading capacity will be reduced if the pegboard is not secured to studs, and drywall anchors (not included) are suggested to use when the pegboard cannot be installed to studs.

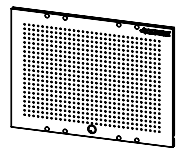


Coordinating Products

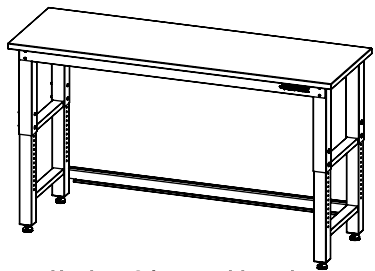
This product coordinates well with the units below to offer a best storage solution. They can be combined into various combinations to meet different storage requirements.



Husky 36 in. wall shelf



Husky 36 in. pegboard



Husky 72 in. workbench

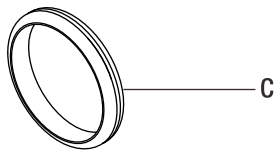
Maintenance

- Check all the screws and nuts periodically for tightness. Tighten them when necessary.

Care and Cleaning

- Periodically clean the surfaces with a soft rag and water.
- Grease and oil can be removed with most standard cleaning fluids. For safety, use a nonflammable cleaning fluid.

Service Parts



Part	Replacement Part #	Description	Quantity
B	314147	Plastic cover	16
C	314027	Grommet	2
AA	320328	M6 x 40 hex tapping screws	8



Questions, problems, missing parts? Before returning to the store,
call Husky Customer Service
8 a.m.-5 p.m., EST, Monday-Friday

1-888-HD-HUSKY

WWW.HUSKYTOOLS.COM

Retain this manual for future use.