



Iron Plains™ Wading Pool®

Bathroom Sink
K-5400-P5

Features

- KOHLER enameled cast iron
- Above-counter, drop-in, or under-mount installation
- With overflow



For complete listing of available colors, go to kohler.com.

ADA

Codes/Standards

ASME A112.19.1/CSA B45.2

ADA

ICC/ANSI A117.1

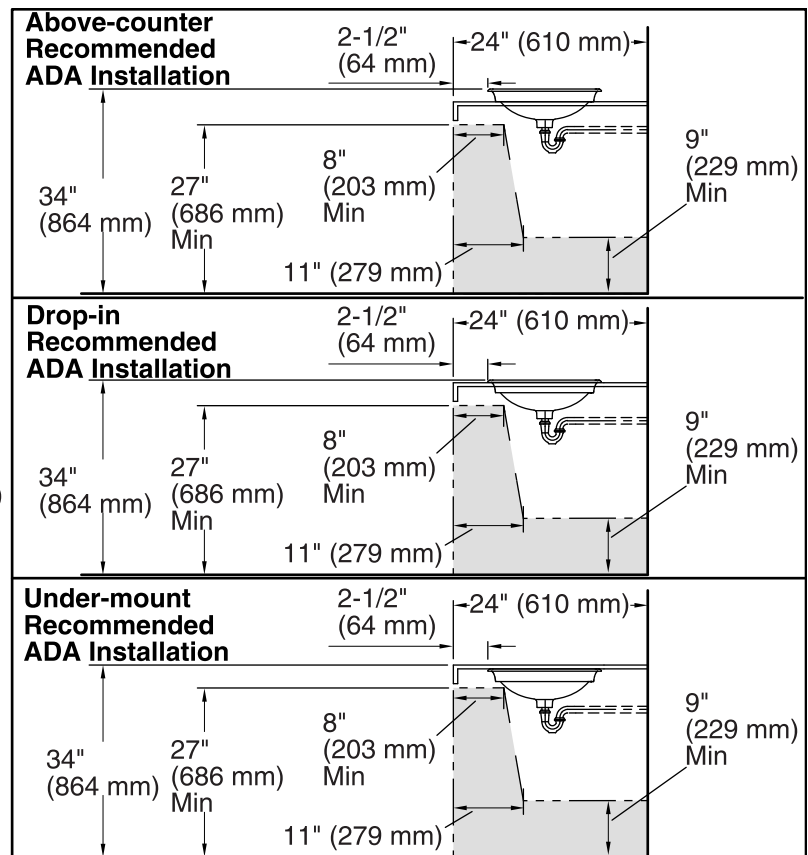
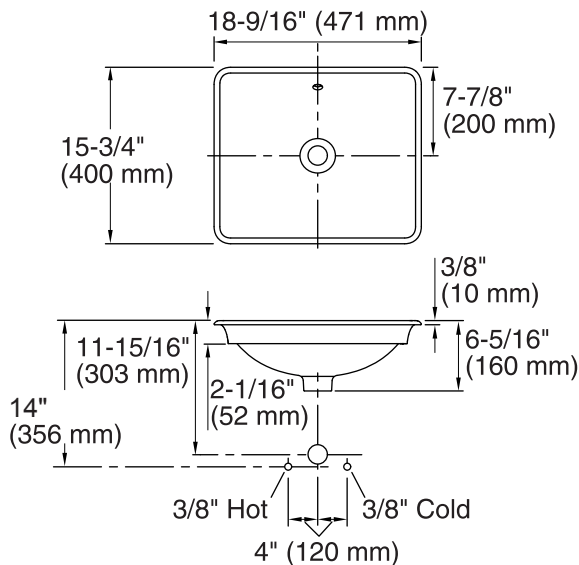
TAS

KOHLER® Lifetime Limited Warranty for Cast Iron Components

See website for detailed warranty information.

Product Specification

Bathroom sink shall be 18-9/16" (471 mm) in length, 15-3/4" (400 mm) in width, and 6-5/16" (160 mm) in height. Bathroom sink shall be made of KOHLER enameled cast iron. Bathroom sink shall have overflow. Bathroom sink shall be less deck holes. Bathroom sink shall be drop-in, under-mount, or above-counter installation. Bathroom sink shall be KOHLER Model K-5400-P5.



Technical Information

All measurements are nominal.

Bowl configuration: Single

Installation: Drop-In, Under-mount, Above-counter

Bowl area (Only): 17-1/2" x 14-3/4" x 2-15/16" (445 mm x 375 mm x 74 mm)

Template: Drop-in, 1222632-7, required, included
 Under-mount, 1222632-7, required, included
 Above-counter, 1222632-7, required, included

Under-mount kit: Clamp Accessory Pack 52047

Installation Notes

Install this product according to the installation guide.

NOTICE: Countertop manufacturer or cutter must use the cut-out template provided with the product, or a current one provided by Kohler Co. (call 1-800-4-KOHLER). Kohler Co. is not responsible for cutout errors when the incorrect cut-out template is used.

ADA, TAS compliant when installed to the specific requirements of these regulations.