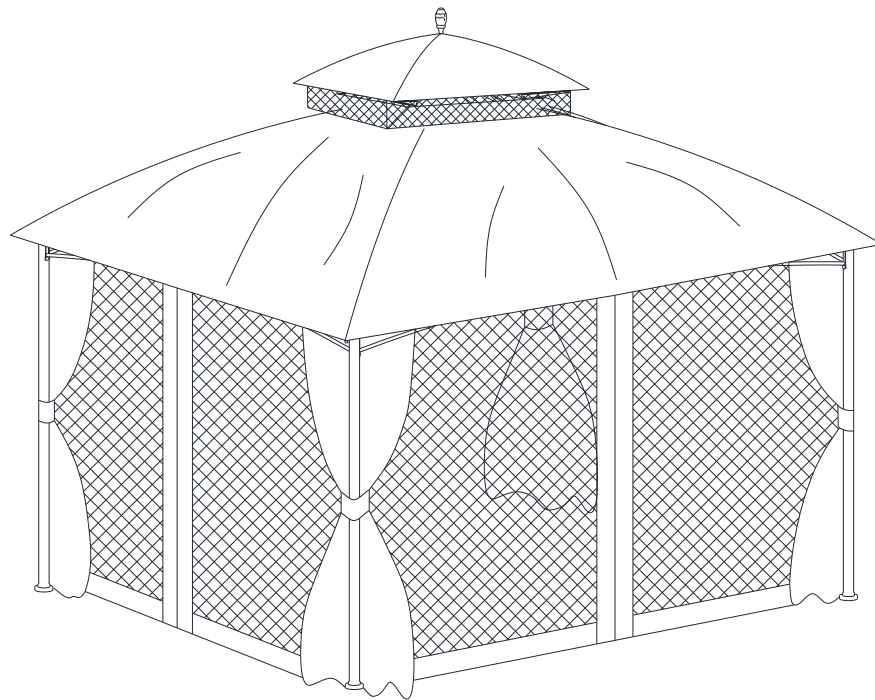




Item #1003 545 436
Model #L-GZ933PCO-L

USE AND CARE GUIDE

TURNBERRY 10 FT X 12 FT GAZEBO



Questions, problems, missing parts? Before returning to the store,
call Hampton Bay Customer Service
8 a.m. - 7 p.m., EST, Monday-Friday, 9 a.m. - 6 p.m., EST, Saturday

1-855-HD-HAMPTON

HAMPTONBAY.COM

THANK YOU

We appreciate the trust and confidence you have placed in Hampton Bay through the purchase of this Gazebo. We strive to continually create quality products designed to enhance your home. Visit us online to see our full line of products available for your home improvement needs. Thank you for choosing Hampton Bay!

Table of Contents

Table of Contents.....	2	Pre-Assembly	3
Safety Information.....	2	Planning assembly.....	3
Warranty.....	2	Hardware Included.....	3
What is Covered.....	2	Package Contents	4
What is Not Covered	2	Assembly	6
		Care and Cleaning	10

Safety Information

1. More than 4 people are required for this assembly.
2. Some parts may contain sharp edges. Wear protective gloves.
3. When assembling and using this product, basic safety precautions should always be followed to reduce the risk of personal injury and damage to equipment. Please read all instructions before assembly and usage.



DANGER: This unit is heavy! Do not assemble this item alone.



WARNING: Do not leave the gazebo where there is a risk of high wind, as possible damage will occur to the structure.



CAUTION: Do not climb on top of the gazebo. Falling off the gazebo can result in serious injury, possibly even death.

NOTICE: For outdoor use only.



WARNING: Keep all flame and heat sources away from this pergola fabric. This pergola is made with fabric that meets CPAI-84 specifications for flame resistance. It is not fire proof. The fabric will burn if left in continuous contact with any flame source. The application of any foreign substance to the pergola fabric may render the flame-resistant properties ineffective.

Warranty

2 YEAR WARRANTY

WHAT IS COVERED

This limited warranty is extended to the original purchaser and applies to defects in materials and workmanship of your item provided the item is maintained with care and used only for personal, residential purposes. The item is warranted to be free from defects in material or workmanship for a period of 2 years.

WHAT IS NOT COVERED

We do not reimburse for transportation of delivery costs, or compensate the individual or any outside party for assembling or disassembling the product.

Contact the Customer Service Team at 1-855-HD-HAMPTON or visit www.hamptonbay.com.

Pre-Assembly

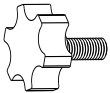
PLANNING ASSEMBLY

Before beginning assembly of this product, make sure all parts are present. Compare parts with the Hardware Included and Package Contents lists. If any part is missing or damaged, do not attempt to assemble the product. Contact customer service for replacement parts.

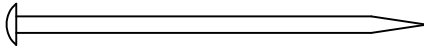
HARDWARE INCLUDED



NOTE: Hardware not shown to actual size.



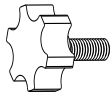
___AA



___BB



___CC



___DD

Part	Description	Quantity
AA	M6 X 15 Screw	40
BB	∅ 8*180 Stake	8
CC	Plastic Ring	104
DD	M5 X 15 Screw	16

ADDITIONAL HARDWARE

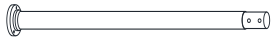
Part	Description	Quantity
AA	M6 X 15 Screw	1
CC	Plastic Ring	1
DD	M5 X 15 Screw	1

Pre-Assembly (continued)

PACKAGE CONTENTS



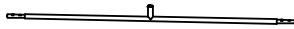
___A1



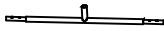
___A2



___B1



___B2



___B3



___C1



___C2



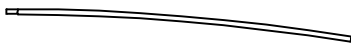
___C3



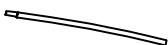
___C4



___D1



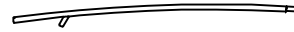
___D2



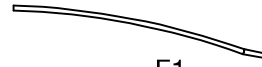
___D3



___E1



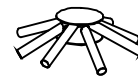
___E2



___F1



___F2



___G



___H



___I



___J



___K



___L



___M



___N



___O

Pre-Assembly (continued)

Part	Description	Quantity
A1	Post 1	4
A2	Post 2	4
B1	Cross panel	8
B2	Long cross beam	2
B3	Short cross beam	2
C1	Long mosquito netting bar 1	4
C2	Long mosquito netting bar 2	4
C3	Short mosquito netting bar	4
C4	Short mosquito netting bar	4
D1	Upper oblique tube	4
D2	Middle oblique tube	4
D3	Bottom oblique tube	4
E1	Upper long middle tube	2
E2	Bottom long middle tube	2
F1	Upper short middle tube	2
F2	Bottom short middle tube	2
G	Big roof connector	1
H	Small roof connector	1
I	Small roof oblique tube	4
J	Decoration	1
K	Hook	1
L	Small Canopy	1
M	Big Canopy	1
N	Mosquito Netting	1
O	Private Curtain	1

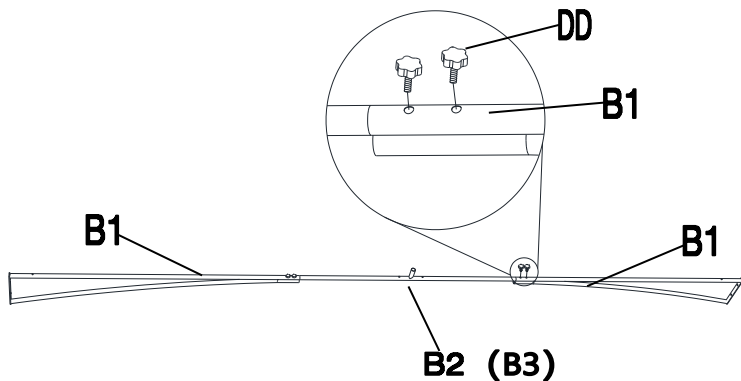
Assembly

1 Assembling the Cross Panels

- Connect 2 sets of Cross Panels (B1) with the long cross beams (B2) using screws (DD). Connect another 2 sets of Cross Panels (B1) with the short cross beam (B3) using screws (DD).



NOTE: To avoid destroying the finish, do not put the parts on the ground directly.

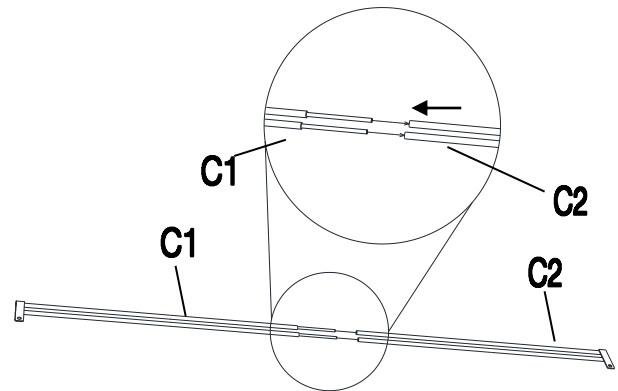


2 Assembling Mosquito Netting Bars

- Connect the Long mosquito netting bar 1 (C1) with Long mosquito netting bar 2 (C2). Connect the Short mosquito netting bar 1 (C3) with Short mosquito netting bar 2 (C4).



NOTE: To avoid destroying the finish, do not put the parts on the ground directly.

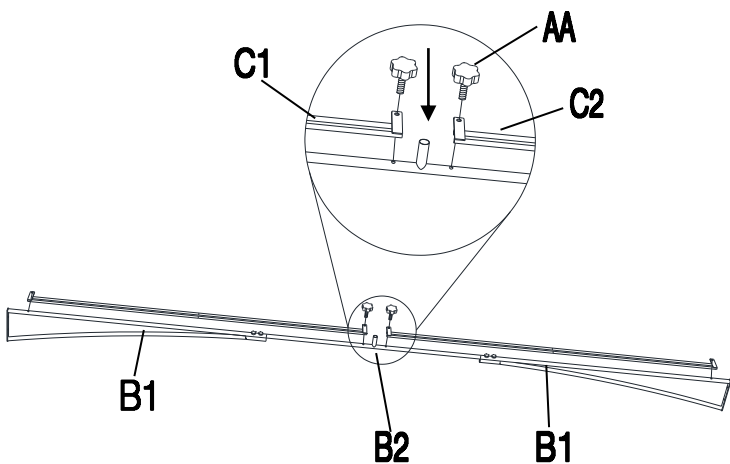


3 Attaching the Mosquito Netting Bars

- Attach the assembled Long Mosquito Bars (C1&C2) to the Cross Beam (B1) using bolts (AA). Attach the Short Mosquito Bar (C3&C4) in the same way.



NOTE: To avoid destroying the finish, do not put the parts on the ground directly.

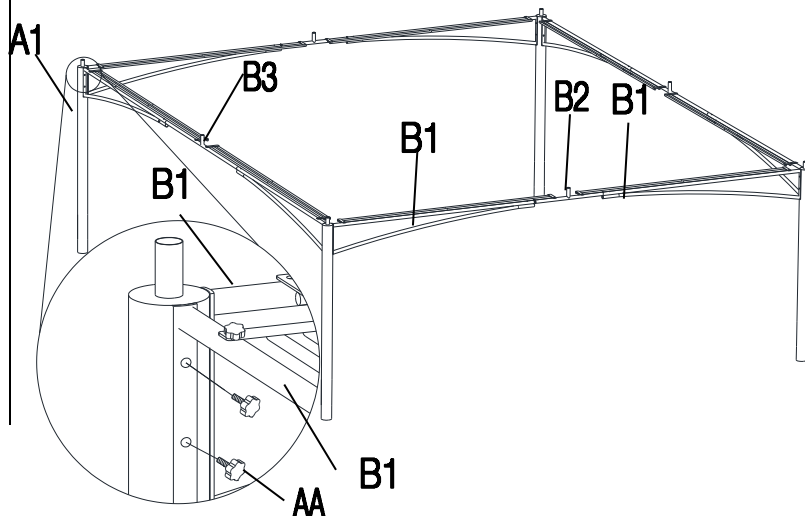


4 Attaching the Post 1

- Attach the Post 1 (B1) to the assembled Cross Beams (B1&B1) using bolts (AA).



NOTE: To avoid destroying the finish, do not put the parts on the ground directly.

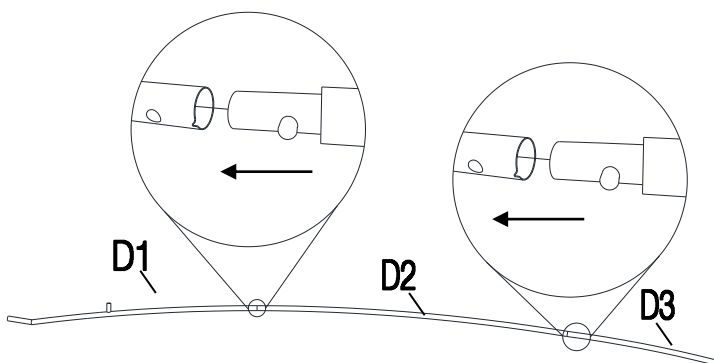


Assembly (continued)

5 Assembling the Oblique Tubes

- ❑ Connect the Upper oblique tube (D1), Middle oblique tube (D2) and Bottom oblique tube (D3) using the spring button on the parts.

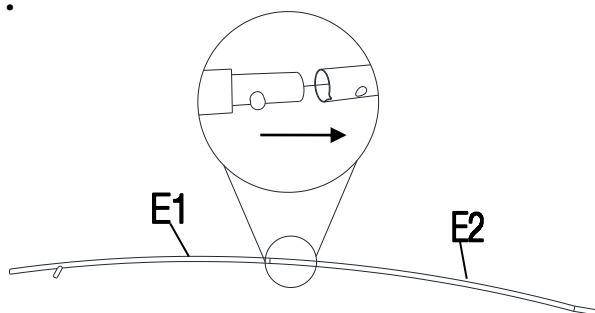
 **NOTE:** To avoid destroying the finish, do not put the parts on the ground directly.



6 Assembling the Middle Tubes


- ❑ Connect the Bottom long middle tube (E2) and Upper long middle tube (E1) using the spring button on the parts. Connect the Bottom short middle tube (F2) and Upper short middle tube (F1) using the spring button on the parts.

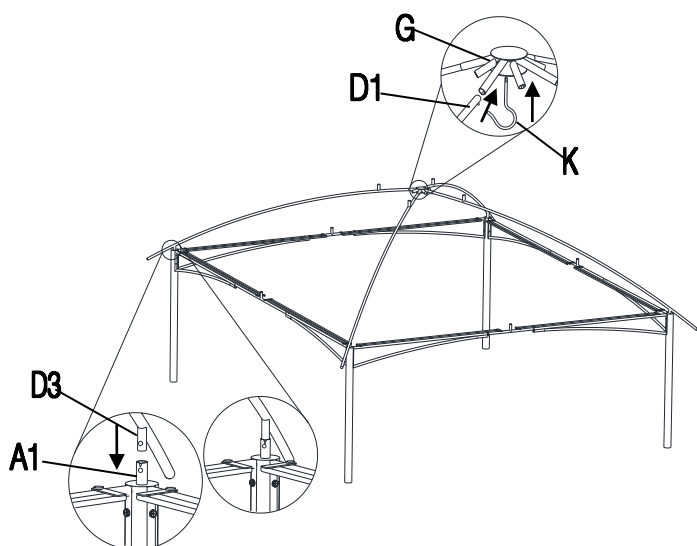
 **NOTE:** To avoid destroying the finish, do not put the parts on the ground directly.



7 Attaching the Oblique Tube and Hook


- ❑ Insert the Upper oblique tubes (D1) to the Big roof connector (G), then Screw the Hook (K) to the Big roof connector (G). Insert the Bottom oblique tube (D3) to the Post 1 (A1).

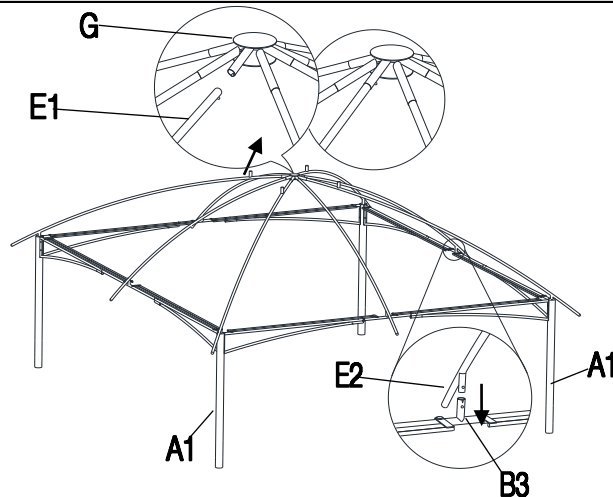
 **NOTE:** To avoid destroying the finish, do not put the parts on the ground directly.



8 Attaching the Middle Tubes

- ❑ Insert the assembled Long middle tube (E1) to the Big roof connector (G), insert the Bottom long middle tube (E2) to the Short cross beam (B3).
- ❑ Insert the assembled Short middle tube (F1) to the Big roof connector (G), insert the Bottom short middle tube (F2) to the Long cross beam (B2).

 **NOTE:** To avoid destroying the finish, do not put the parts on the ground directly.



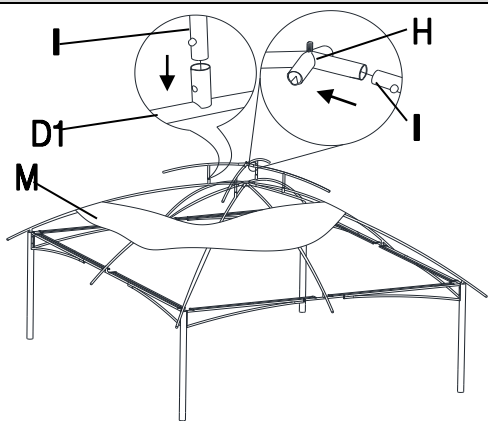
Assembly (continued)

9 Attaching the Small Roof

- Put the Big Canopy (M) on the big roof, do not spread it. Insert the Small roof oblique tubes (I) to the Small roof connector (H). Insert the bottom of the Small roof oblique tubes (I) to the Upper oblique tube (D1).



NOTE: To avoid destroying the finish, do not put the parts on the ground directly.

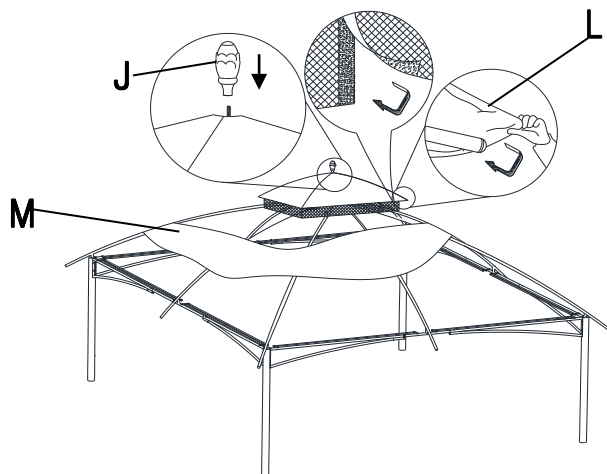


10 Attaching the Decoration and Small Canopy

- Put and spread the Small Canopy (L) on the small roof, secure the hook and loop. Screw the Decoration (J) at the small roof.



NOTE: To avoid destroying the finish, do not put the parts on the ground directly.

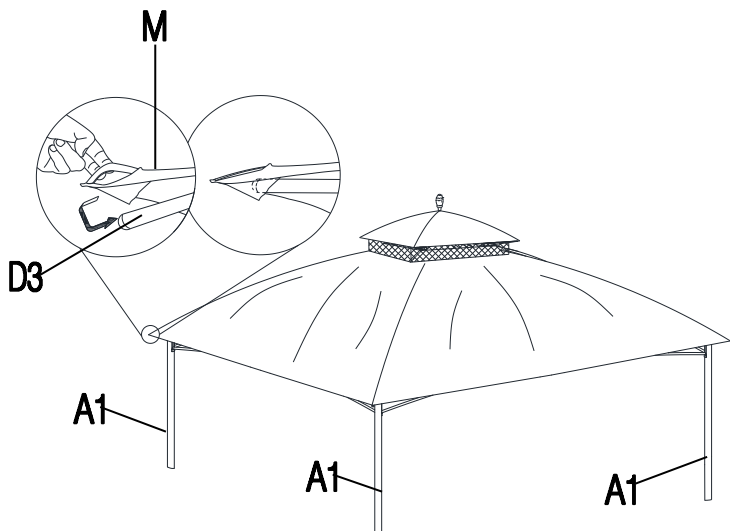


11 Spreading the Big Canopy

- Spread the Big Canopy (M), aligning the corners where it has no hand loop to the Oblique Tube (D3), aligning the corner where it has a hand loop.



NOTE: To avoid destroying the finish, do not put the parts on the ground directly.

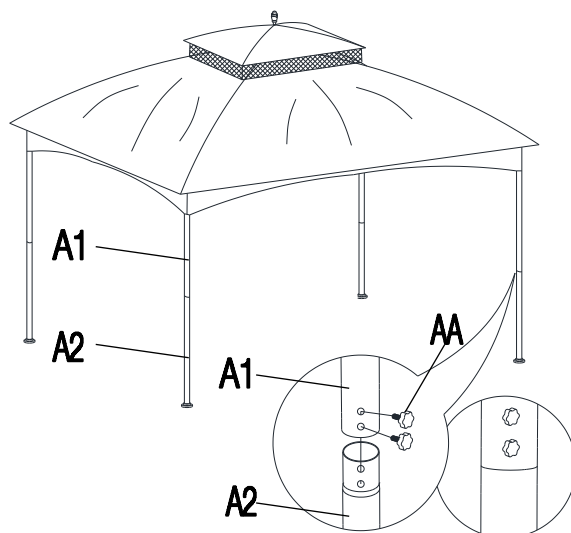


12 Assemble the Post 1 and Post 2

- Connect the Post 1 (A1) with Post 2 (A2) using bolts (AA).



NOTE: To avoid destroying the finish, do not put the parts on the ground directly.



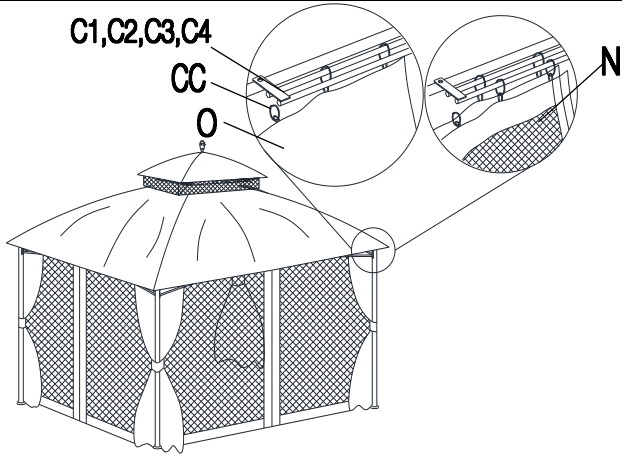
Assembly (continued)

13 Attaching the Curtain and Netting

- Hang the Private Curtain (O) and the Mosquito Netting (N) on the Mosquito Netting Bar (C1, C2, C3, C4) using Plastic Ring (CC).



NOTE: To avoid destroying the finish, do not put the parts on the ground directly.

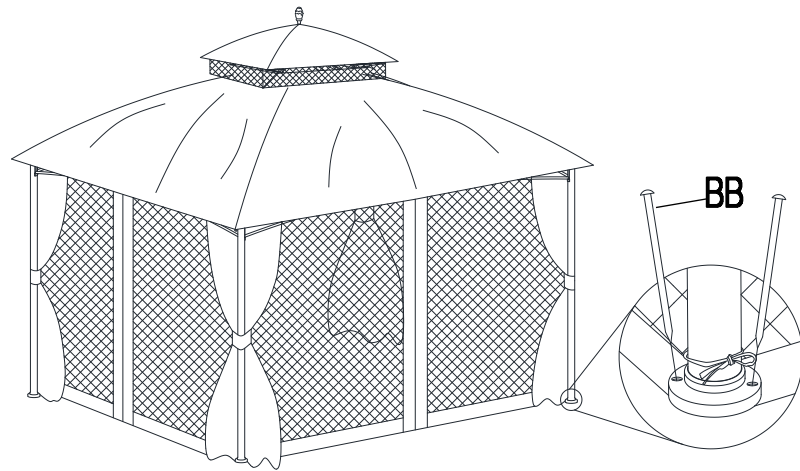


14 Securing the Gazebo

- Secure the assembled gazebo to the lawn with the Stakes (BB).



NOTE: To avoid destroying the finish, do not put the parts on the ground directly.



Care and Cleaning

- Before using, clean the gazebo completely with a soft dry towel.
- Do not put your gazebo in wet conditions where there is a risk of rust developing.
- When not in use, store in a cool, dry area.



Questions, problems, missing parts? Before returning to the store,
call Hampton Bay Customer Service
8 a.m. - 7 p.m., EST, Monday- Friday, 9 a.m. - 6 p.m., EST, Saturday

1-855-HD-HAMPTON

WWW.HAMPTONBAY.COM

Retain this manual for future use.