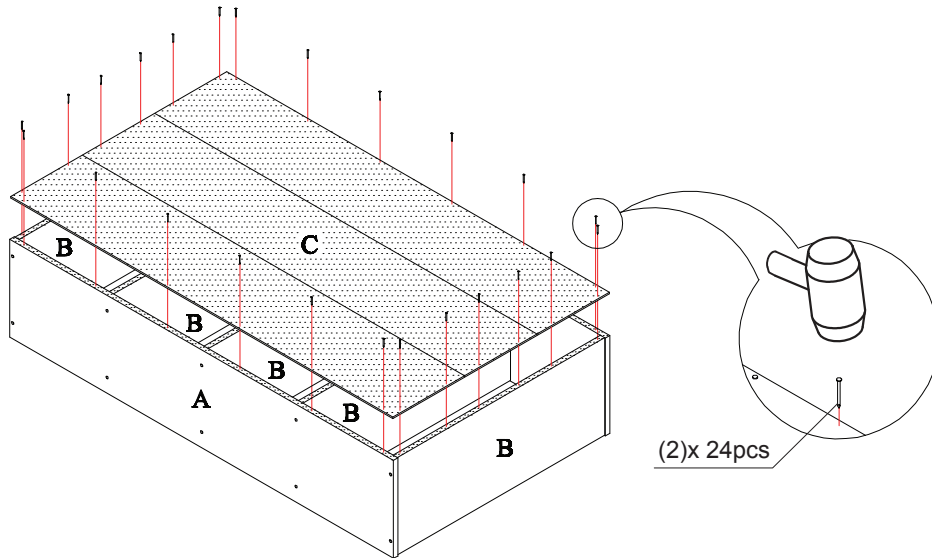
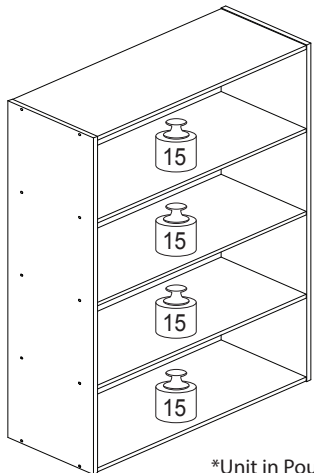


STEP 2

Attach Back Panel (C) to assembled unit using Power Pin(2).



Recommended Maximum Weight



WARNING:

>This unit has been designed to support the maximum loads shown. Exceeding these load limits could cause sagging, instability, product collapse, and/or serious injury.

>DO NOT allow children to climb on unit.

>Put heavier items on lower shelves.



Assembly Instruction

Furinno Pasir 4 Tier Open Shelf

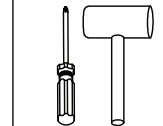
MODEL : 11209

00:30

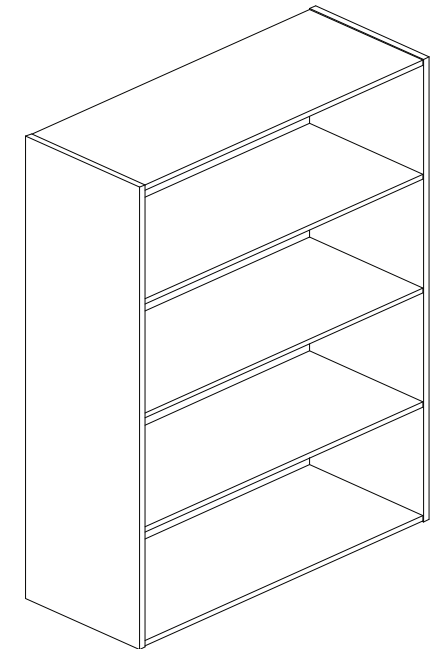
Approx. 30 minutes



Recomm. 2 Person



Tool Required

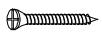



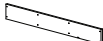


Customer Support

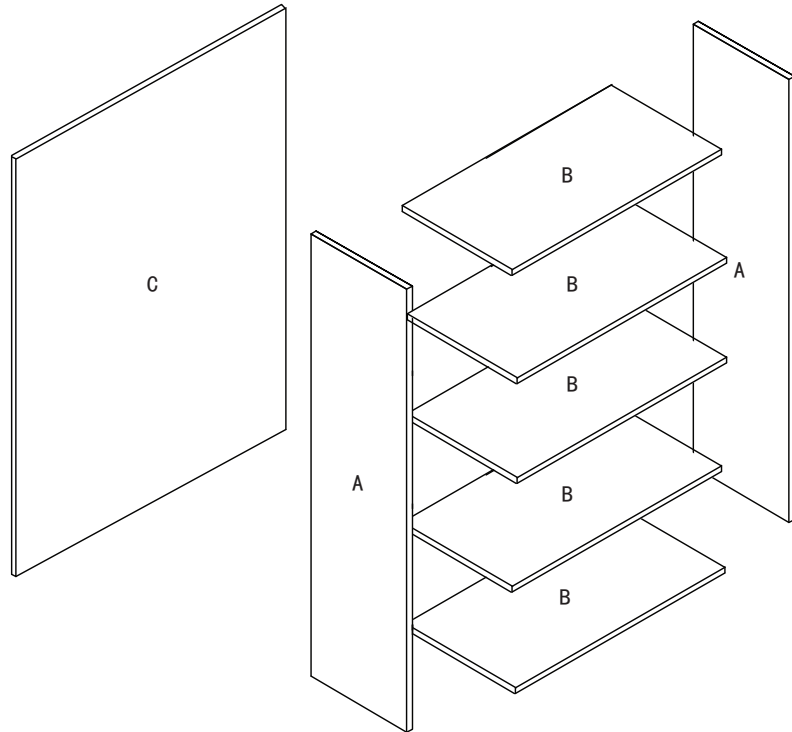
NEED HELP? For replacement requests or product inquiries, please contact our Customer Service Team by emailing us at support@furinno.com. Thank you for selecting Furinno!

www.furinno.com



No	Hardware List	Qty
1	Chipboard Screw 	20pcs
2	Power Pin 	24pcs

No	Parts List	Qty
A	L/R Side Panel 	2pcs
B	Shelf Panel 	5pcs
C	Back Panel 	1pcs



USEFUL HINTS BEFORE YOU START:

1. Read each step carefully before starting.
2. It is important that each step is performed in correct order to avoid difficulties.
3. Identify, sort and count the parts before assembly.
4. Assemble your furniture on packaging cardboard to prevent scratch or damage.
5. Clean the product with mild cleanser using soft damped cloth. Do not use harsh or abrasive cleanser.
6. Using incompatible hardware might cause damage to product.

STEP 1

- 1.1 Attach Left Side Panel (A) with Shelf Panel (B) using Screw (1).
- 1.2 Attach Right Side Panel (A) with completed unit in Step 1.1 using Screw (1).

