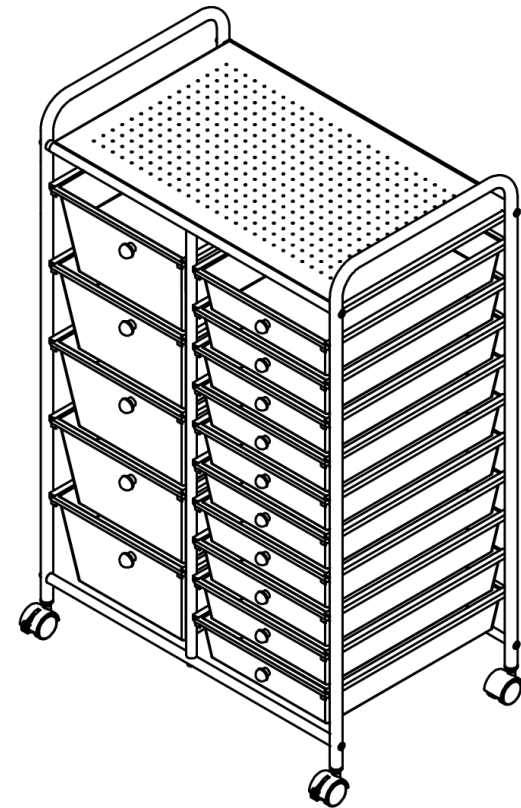


# seville classics®

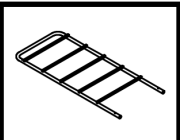
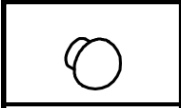


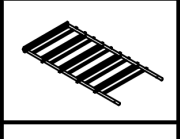

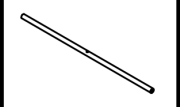

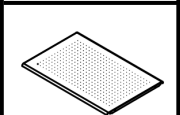

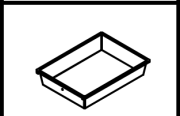

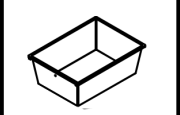


## 15-Drawer Organizer Cart



Model #: WEB483

Thank you for choosing Seville Classics! We hope that you enjoy your organizer cart. Please read through this user guide for parts list, assembly instructions, frequently asked questions and contact info.

# Parts List

A. Left Frame (1)		H. Pull (15)	
B. Right Frame (1)		I. Sleeves (4)	
C. Middle Frame (1)		J. Washer (8)	
D. Crossbar (4)		K. Hex Key (1)	
E. Shelf (1)		L. Locking Caster (2)	
F. Small Drawer (10)		M. Caster (2)	
G. Large Drawer (5)		N. Hex Screw (12)	
		O. Screw (15)	

# FAQs

## Q. How big is it?

A. Unit measures 25.2" W x 15.35" D x 38.18" H

## Q. Can I use it without the casters?

A. No, the cart is not designed to be used without the casters.

## Q. How much weight can it hold?

A. Weight capacity per drawer: 11 lbs. (5 kgs)

Weight capacity on top shelf: 16.5 lbs. (7.5 kgs)

# Customer Service Information

**Telephone:** (800) 323-5565

**Fax:** (310) 533-3899

**Hours:** 8:30 AM – 4:30 PM (PST)

**Email:** [Support@SevilleClassics.com](mailto:Support@SevilleClassics.com)

**Homepage:** [www.SevilleClassics.com](http://www.SevilleClassics.com)

# Required Tools (not included)

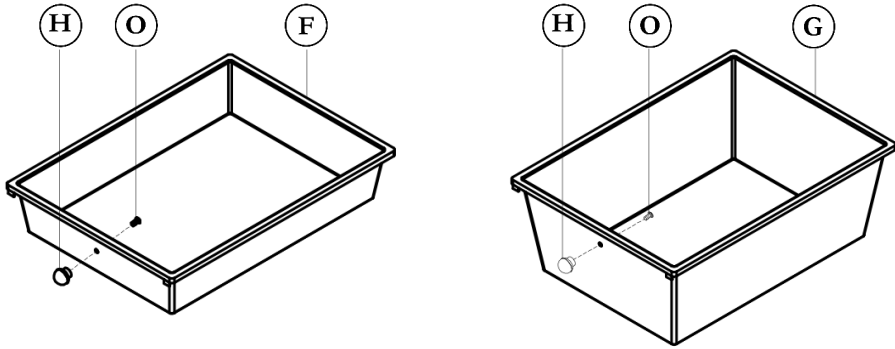


**Please make sure you have all the parts on this list.**

If you're missing parts, contact us for replacements at  
(800) 323-5565 or send an email to [Support@SevilleClassics.com](mailto:Support@SevilleClassics.com)

#### STEP 4.

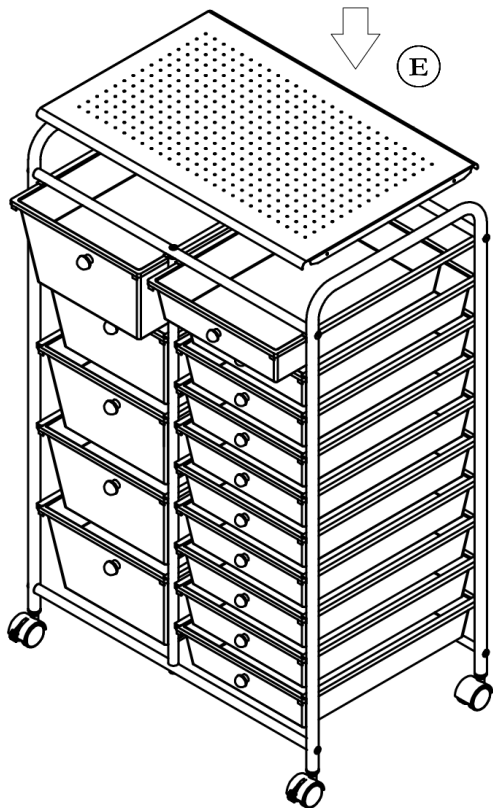
Attach **DRAWER PULLS (H)** to **DRAWERS (F,G)** using **SCREWS (O)** and screwdriver.



#### STEP 5.

Clip on **SHELF (E)** to crossbars.

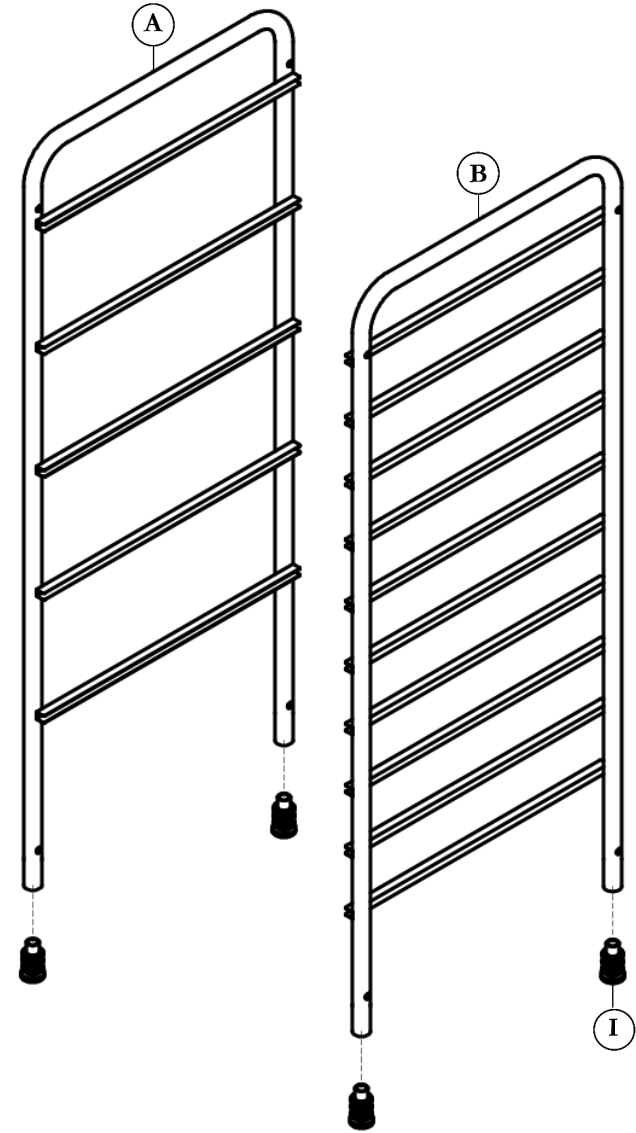
Insert **DRAWERS (F,G)** into guides carefully.



# Assembly Instructions

#### STEP 1.

Insert **SLEEVES (I)** into bottoms of **LEFT, RIGHT FRAMES (A,B)**.

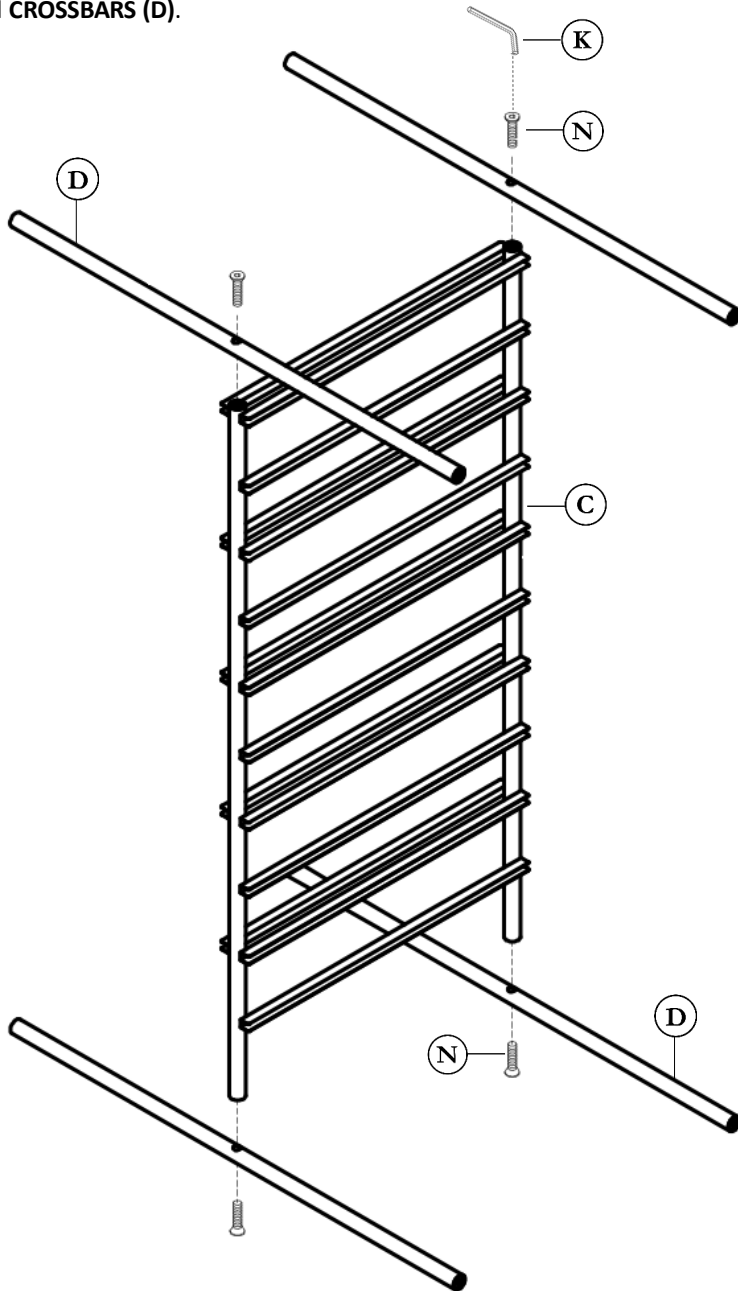


## STEP 2.

Insert **HEX SCREW (N)** through center of **CROSSBARS (D)** into top and bottom ends of **MIDDLE FRAME (C)** poles.

Tighten with **HEX KEY (K)**.

Repeat for all **CROSSBARS (D)**.

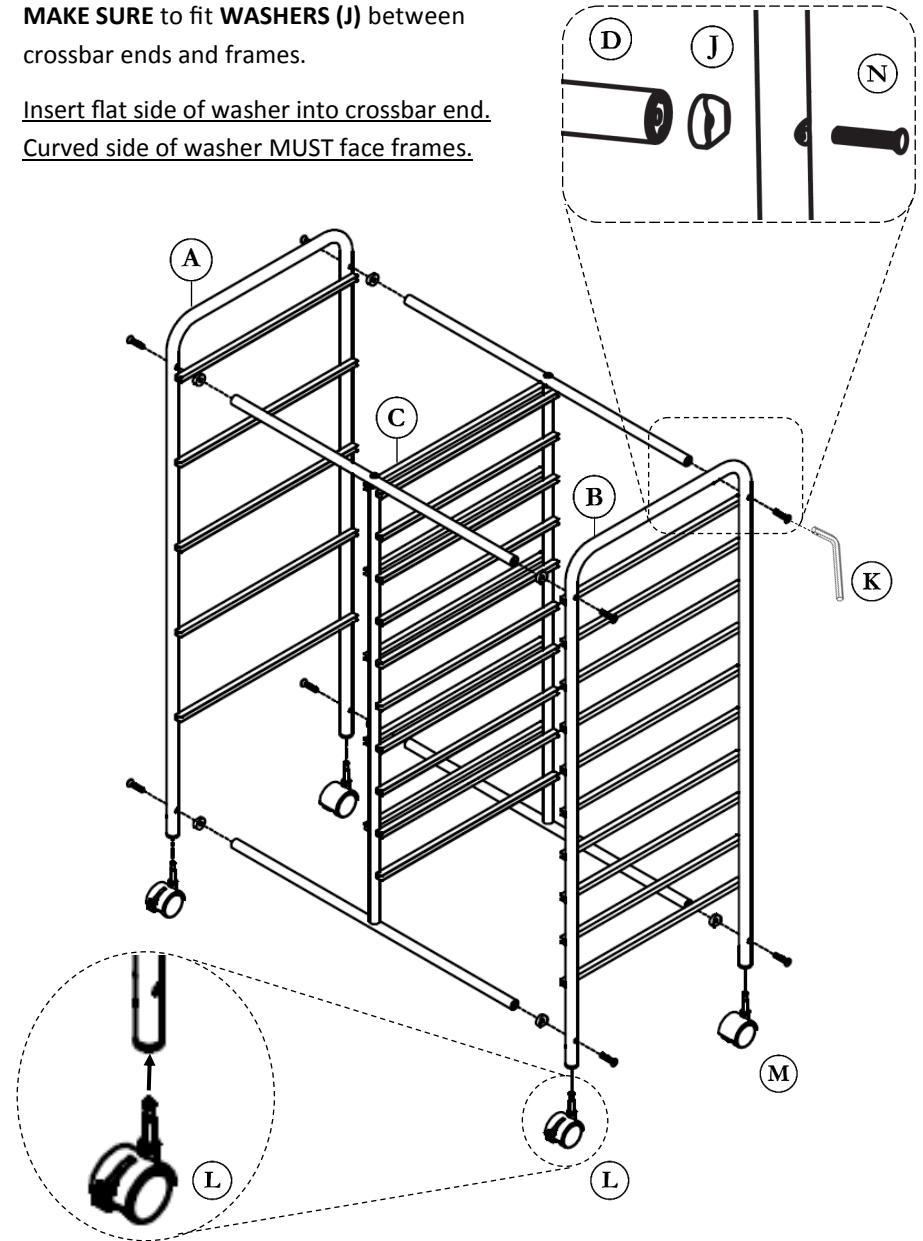


## STEP 3.

Attach **LEFT, RIGHT FRAMES (A,B)** to **CROSSBARS (D)** with **HEX SCREWS (N)**.

**MAKE SURE** to fit **WASHERS (J)** between crossbar ends and frames.

Insert flat side of washer into crossbar end.  
Curved side of washer **MUST** face frames.



Press **LOCKING CASTERS (L)** and **CASTERS (M)** into the sleeves installed in **STEP 1**.

Tighten all **HEX SCREWS (N)** with **HEX KEY (K)**.