

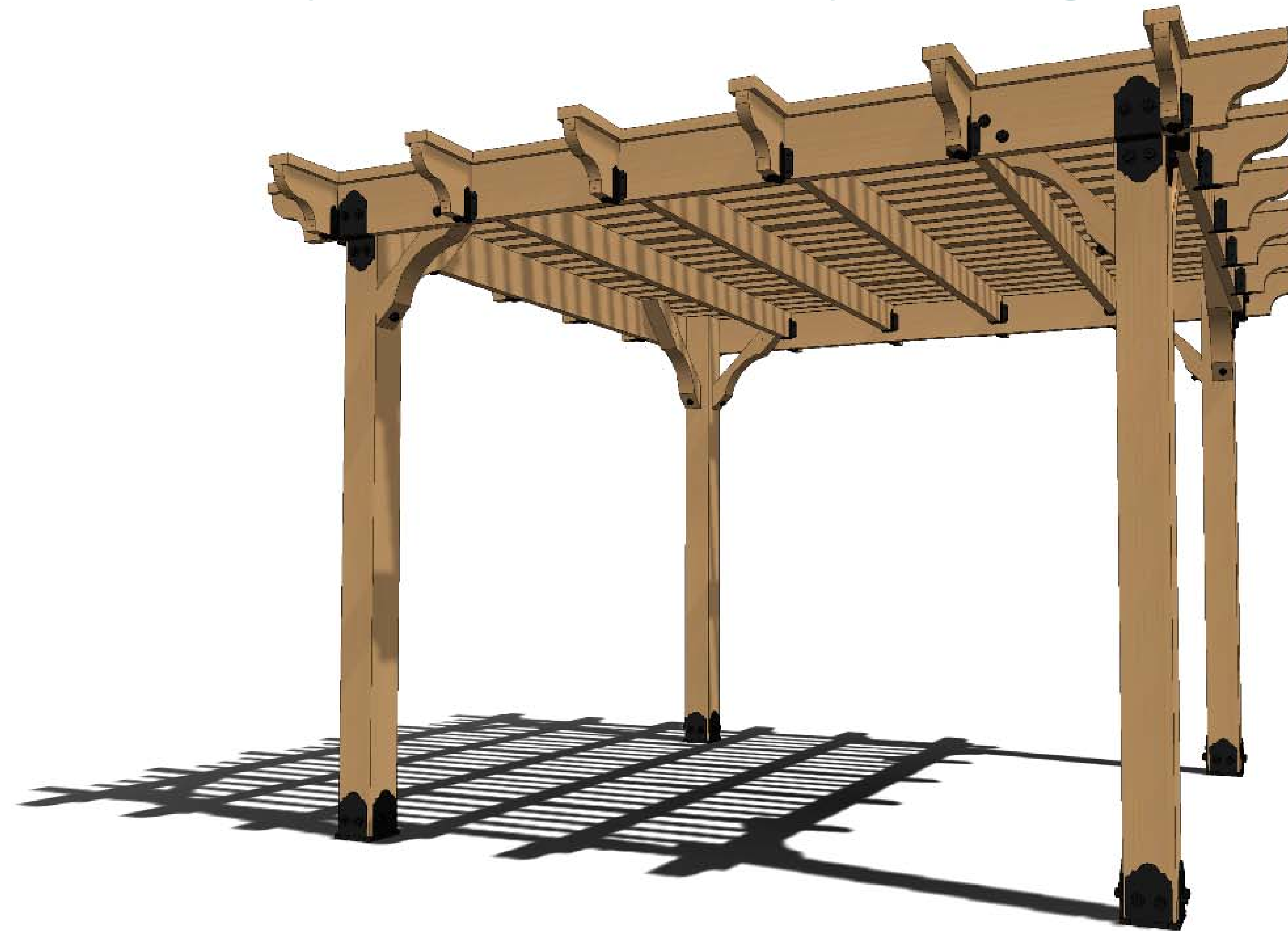
DESIGN

PURCHASE

CONSTRUCT

ENJOY

## OZCO Project #315 - DIY Vineyard Pergola Overview (12x12)

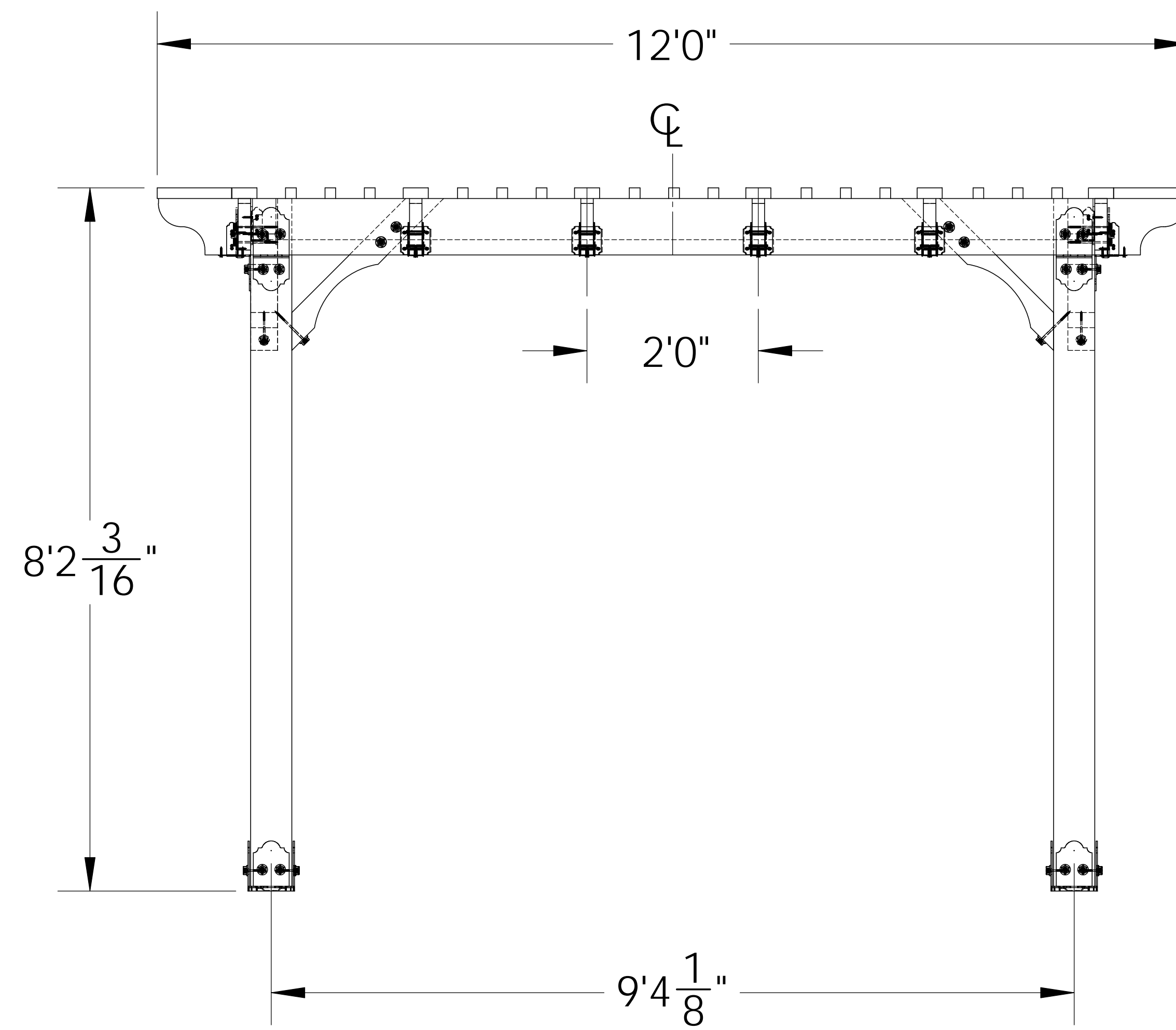
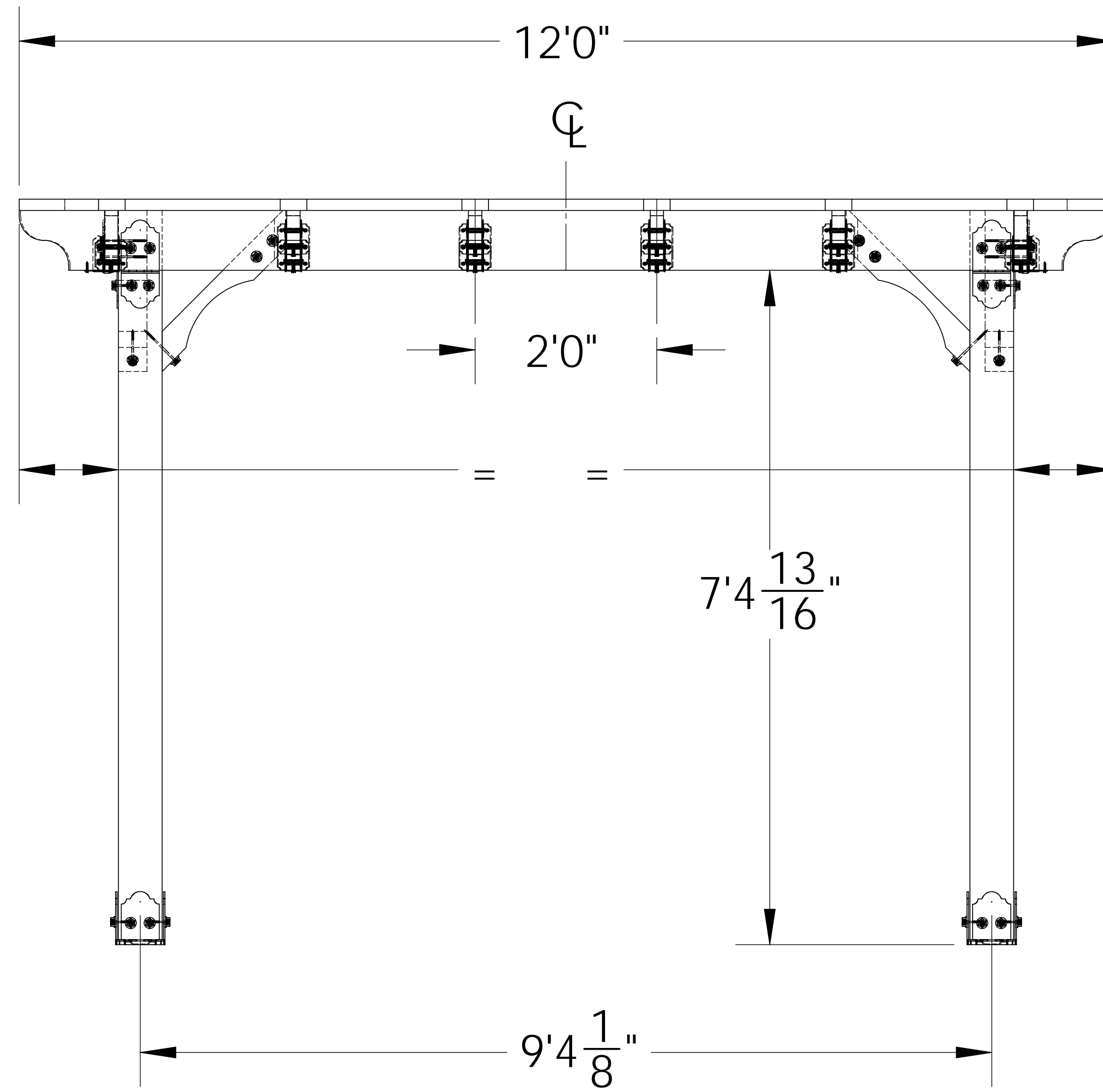


DIY Vineyard Pergola Overview



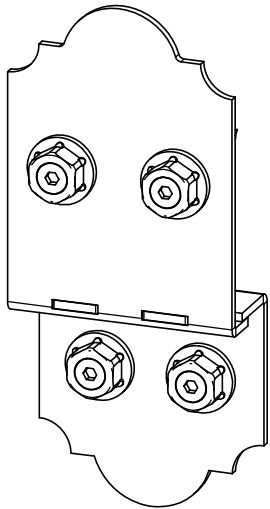
for dimensional details, see Overview page **OZCO BUILDING PRODUCTS**

V2.00 - Installation Instructions, Specifications and Project Plans are effective 8/31/2016 . This information is updated periodically and should not be relied upon after 2 years from 8/31/2016 . Please visit OZCOBP.com to get current information.

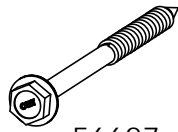


## Project 315 (12x12)

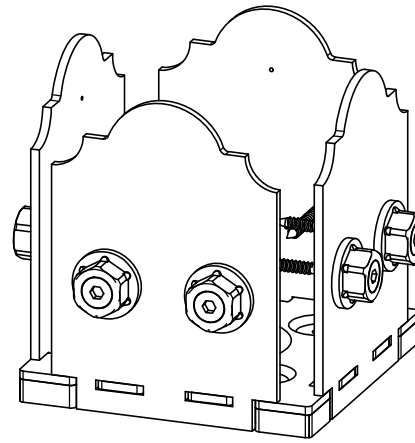
DIY Vineyard Pergola Overview



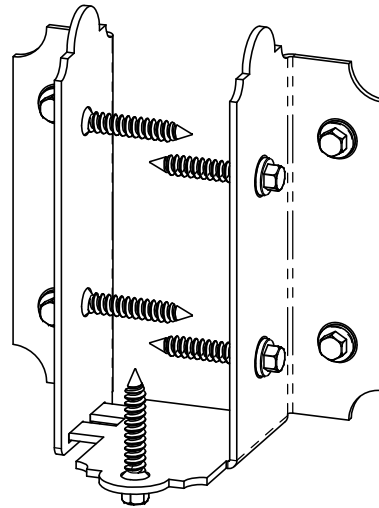
56610



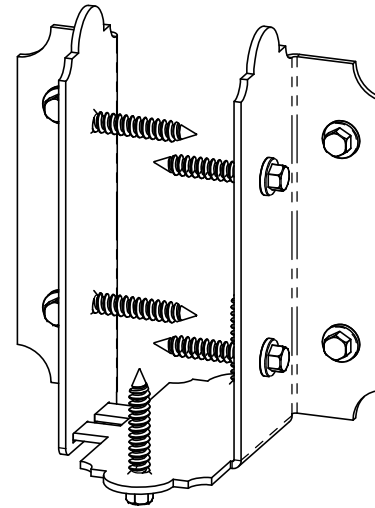
56627



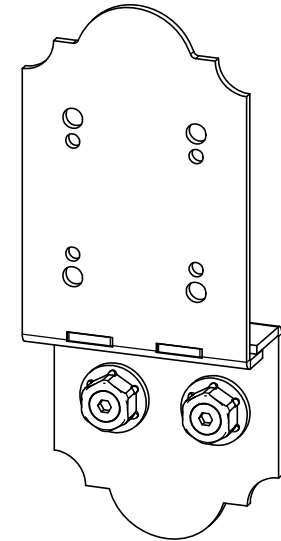
56608



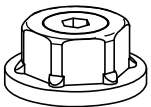
56639



56640

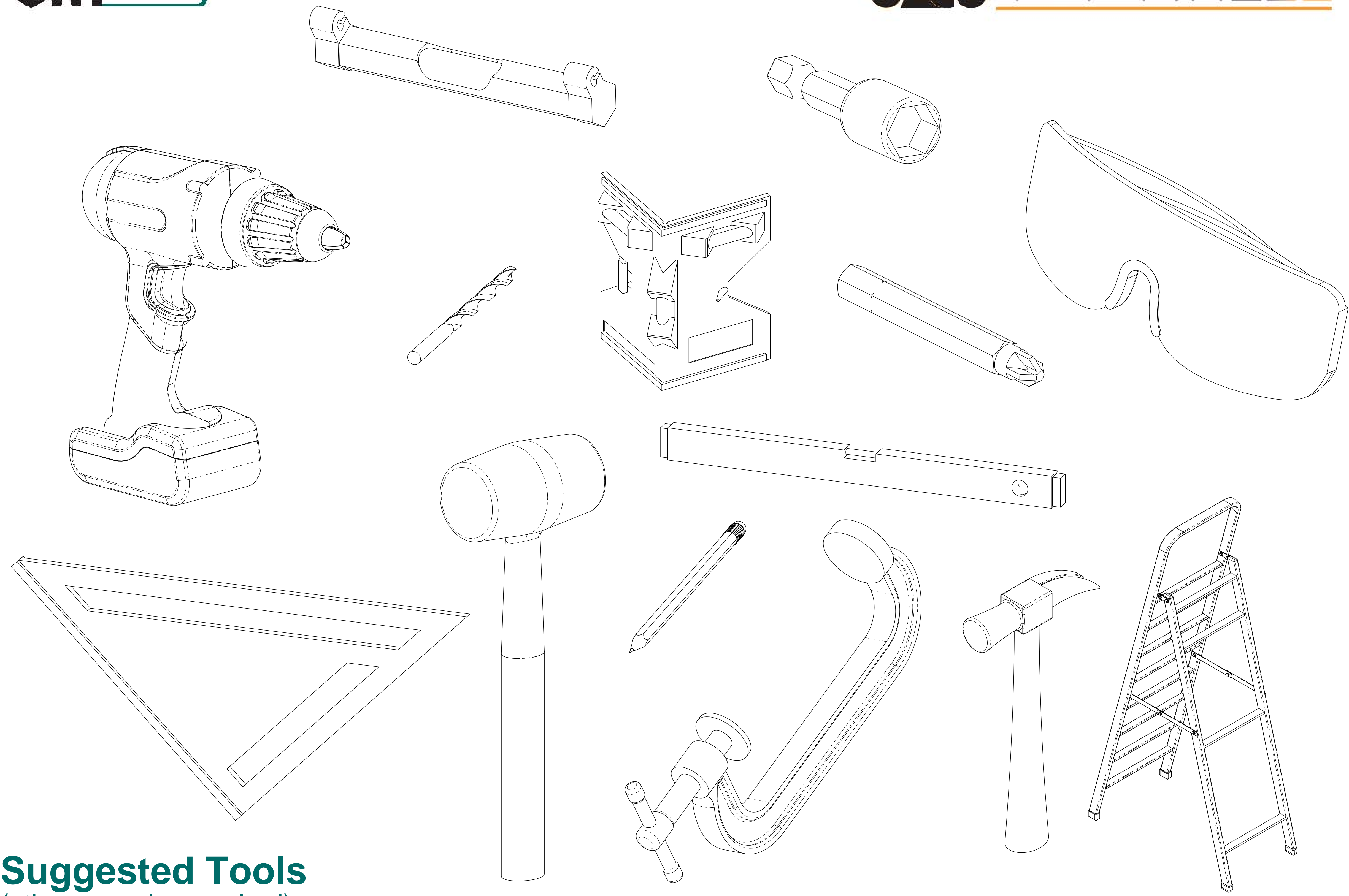


56677  
(Project 327 & 340 only)



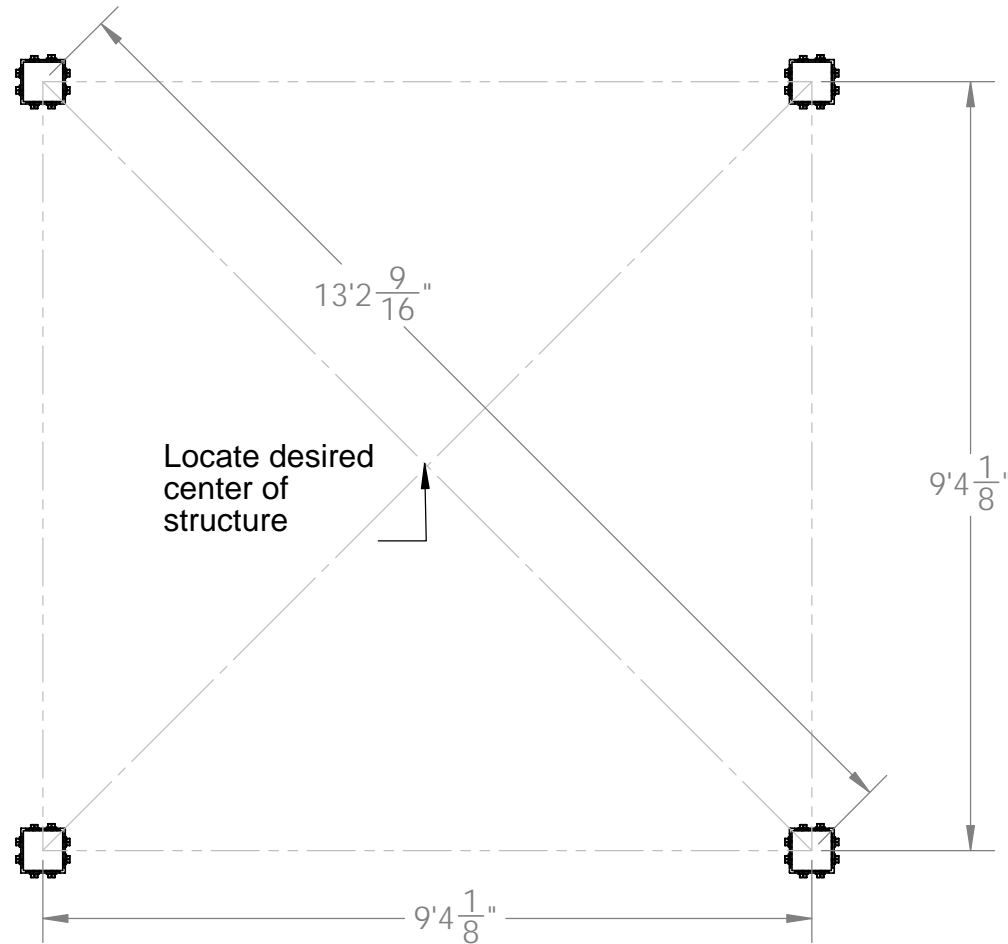
56621





**Suggested Tools**  
(others may be required)

DIY Vineyard Pergola Overview



if site is not level,  
see Ozco Site Leveling instruction



## Project 315 (12x12)

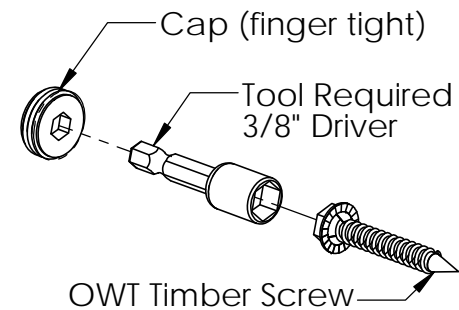
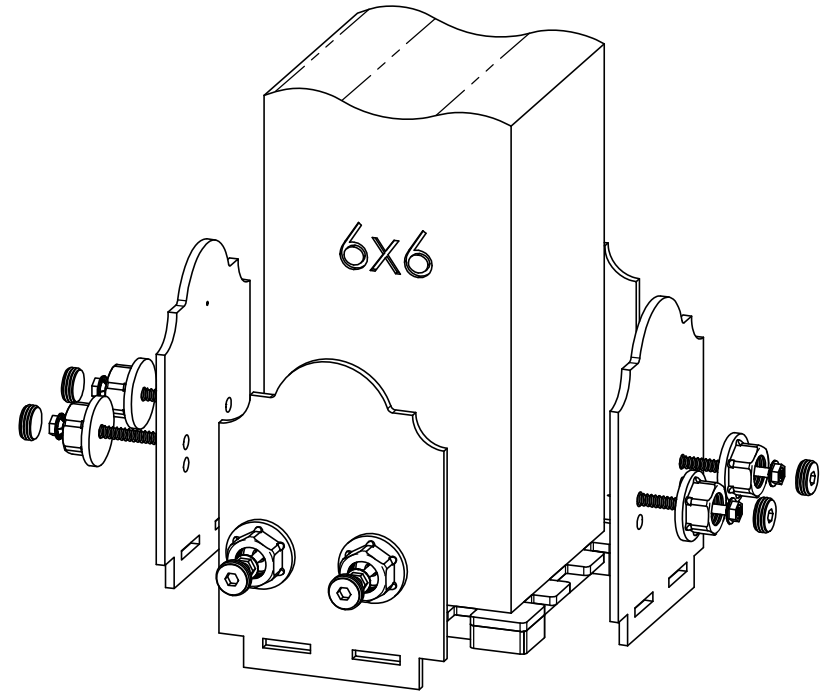
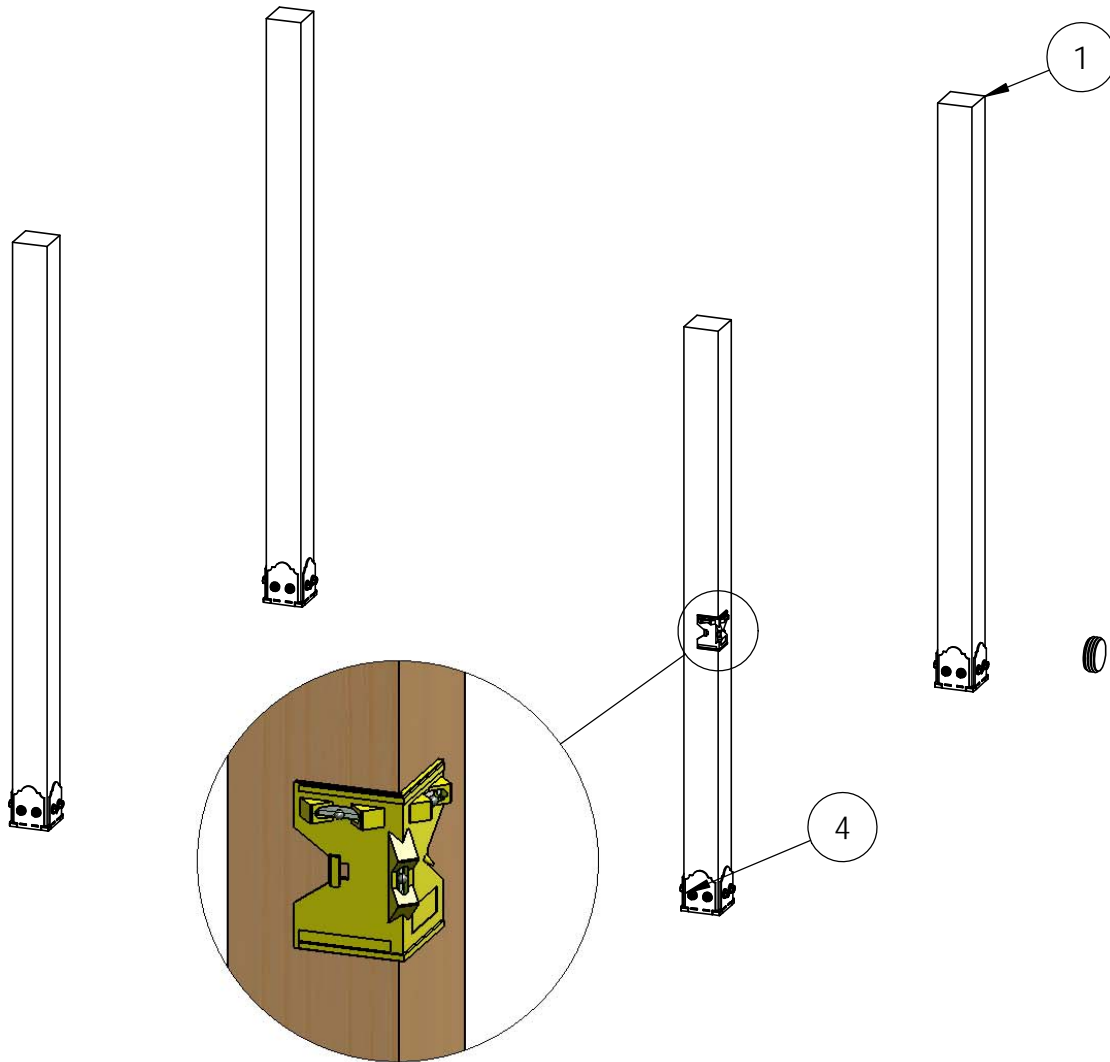
DIY Vineyard Pergola Base

for dimensional details, see Overview page

V2.00 - Installation Instructions, Specifications and Project Plans are effective 9/6/2016 . This information is updated periodically and should not be relied upon after 2 years from 9/6/2016 . Please visit OZCOBP.com to get current information.

for dimensional details, see Overview page

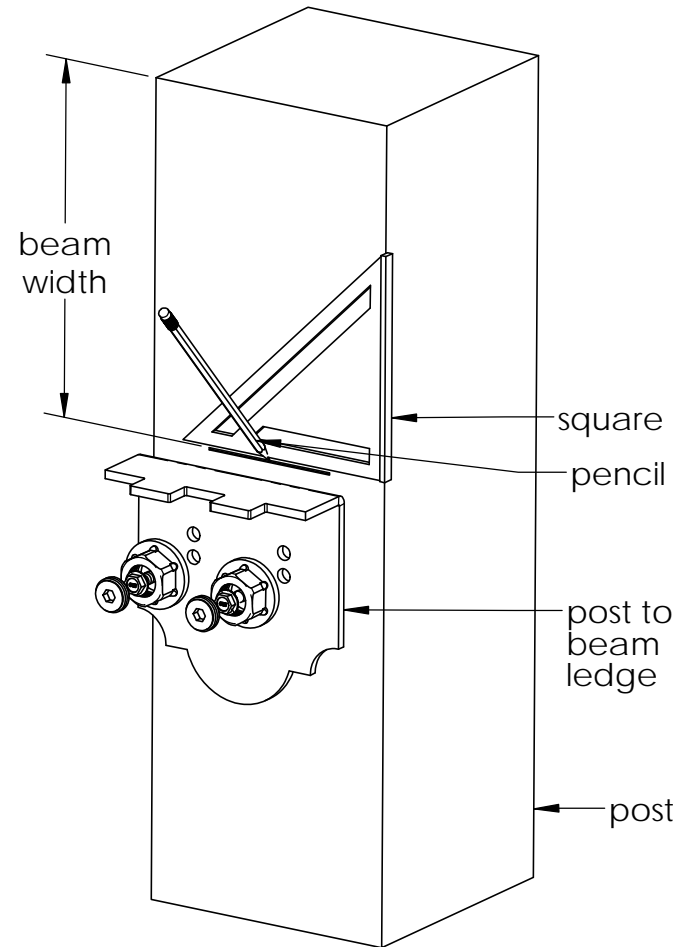
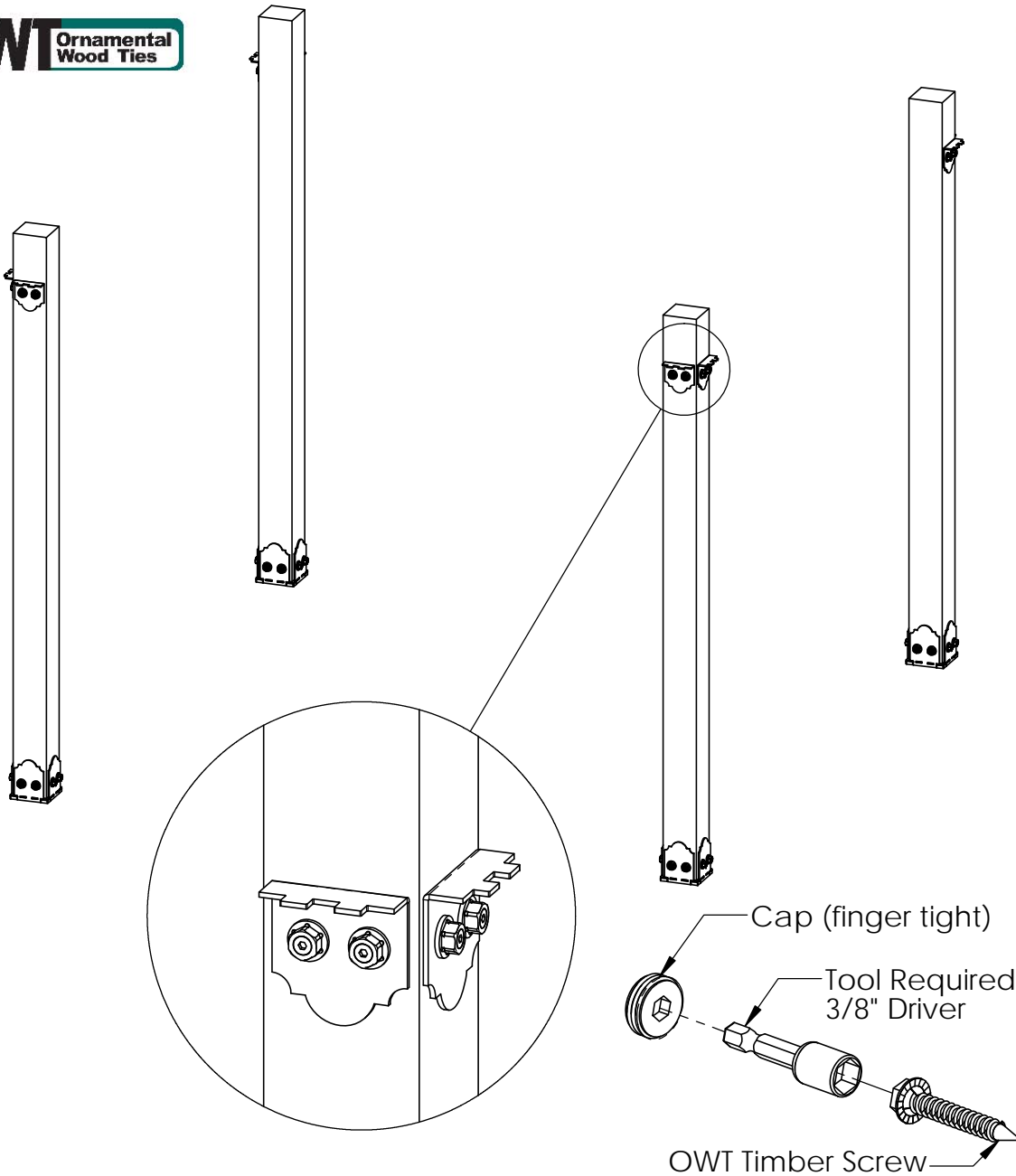
ITEM NO.	QTY.	PART NUMBER	DESCRIPTION
1	4	6x6 Cedar Post	6x6x8'0"
2	4	56608	6x6 Post Base Kit (6X6-PB-LS)



Tip:  
To ensure level posts, use Post Level  
(OZCO #50740; not included)

## Project 315 (12x12) step 1

DIY Vineyard Pergola Base

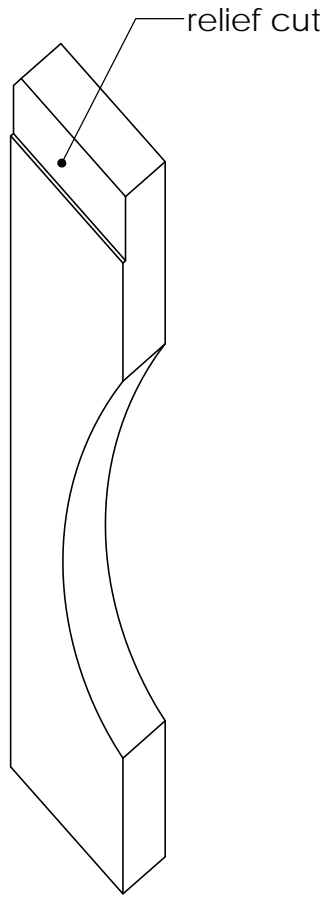


1. measure beam width and mark dimension as shown with pencil and square.
2. install post to beam ledge on mark.
3. repeat on adjacent side
4. repeat on all posts

## Project 315 (12x12) step 2

DIY Vineyard Pergola Base

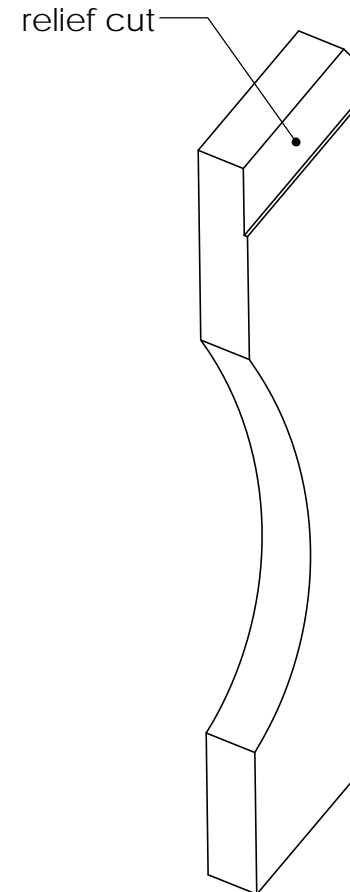
for dimensional details, see Overview page



left support



long support

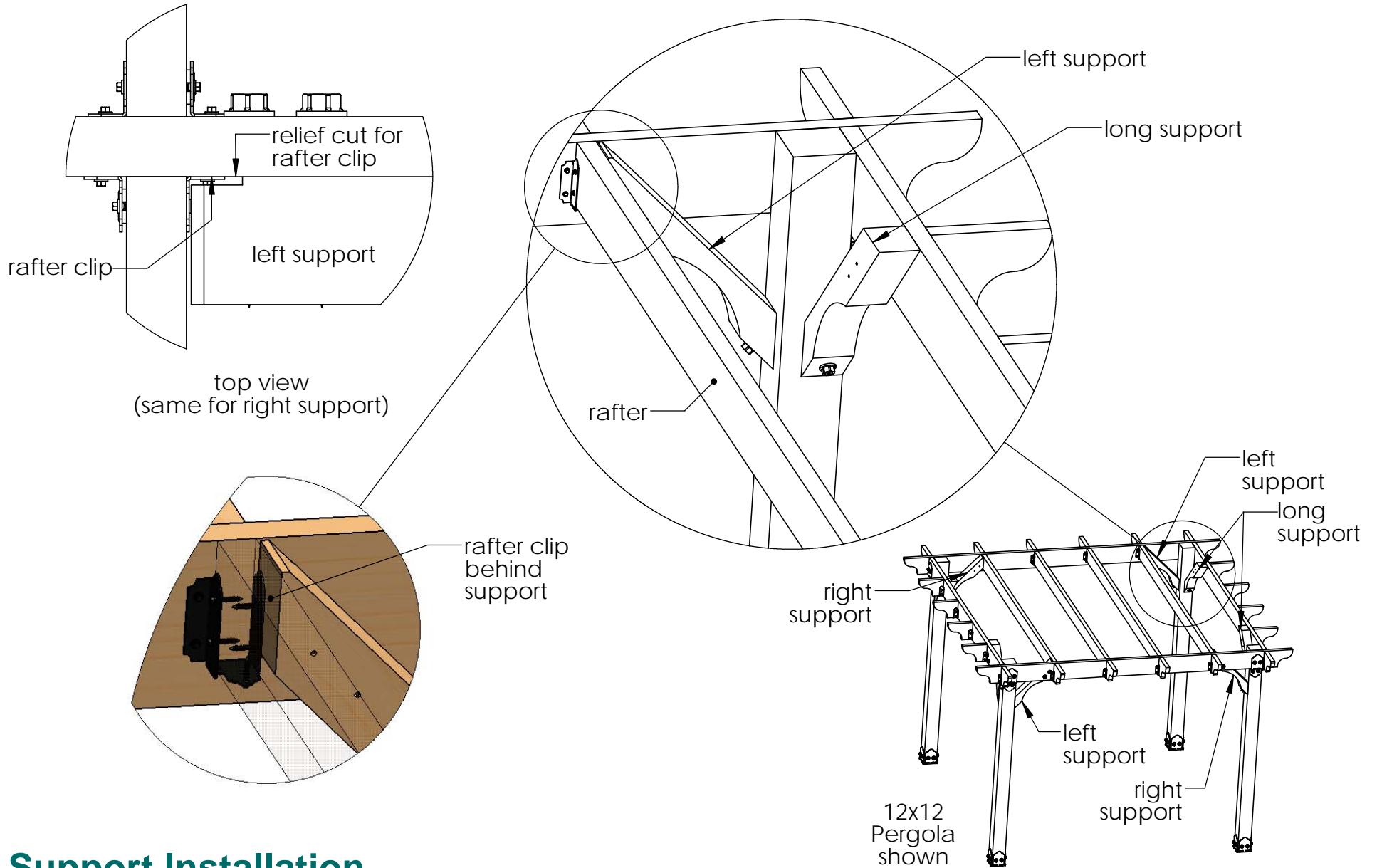


right support

## Support Identification

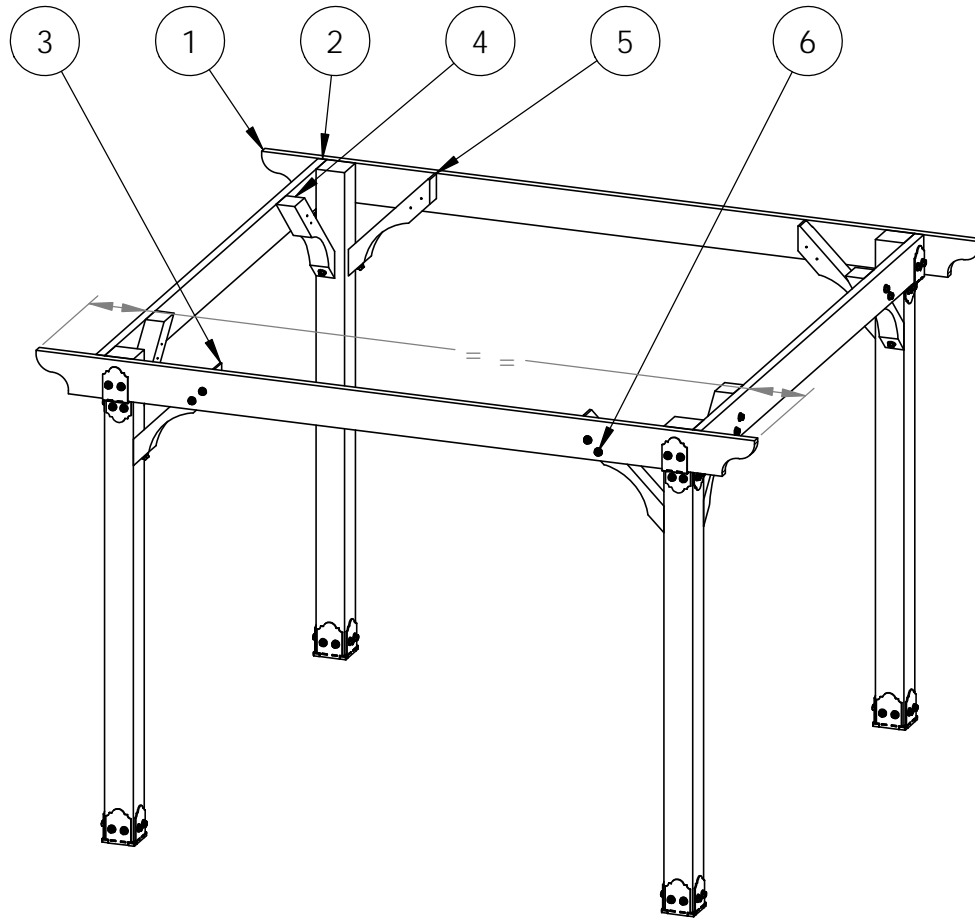
DIY Vineyard Pergola Support Installation





## Support Installation

### DIY Vineyard Pergola Support Installation



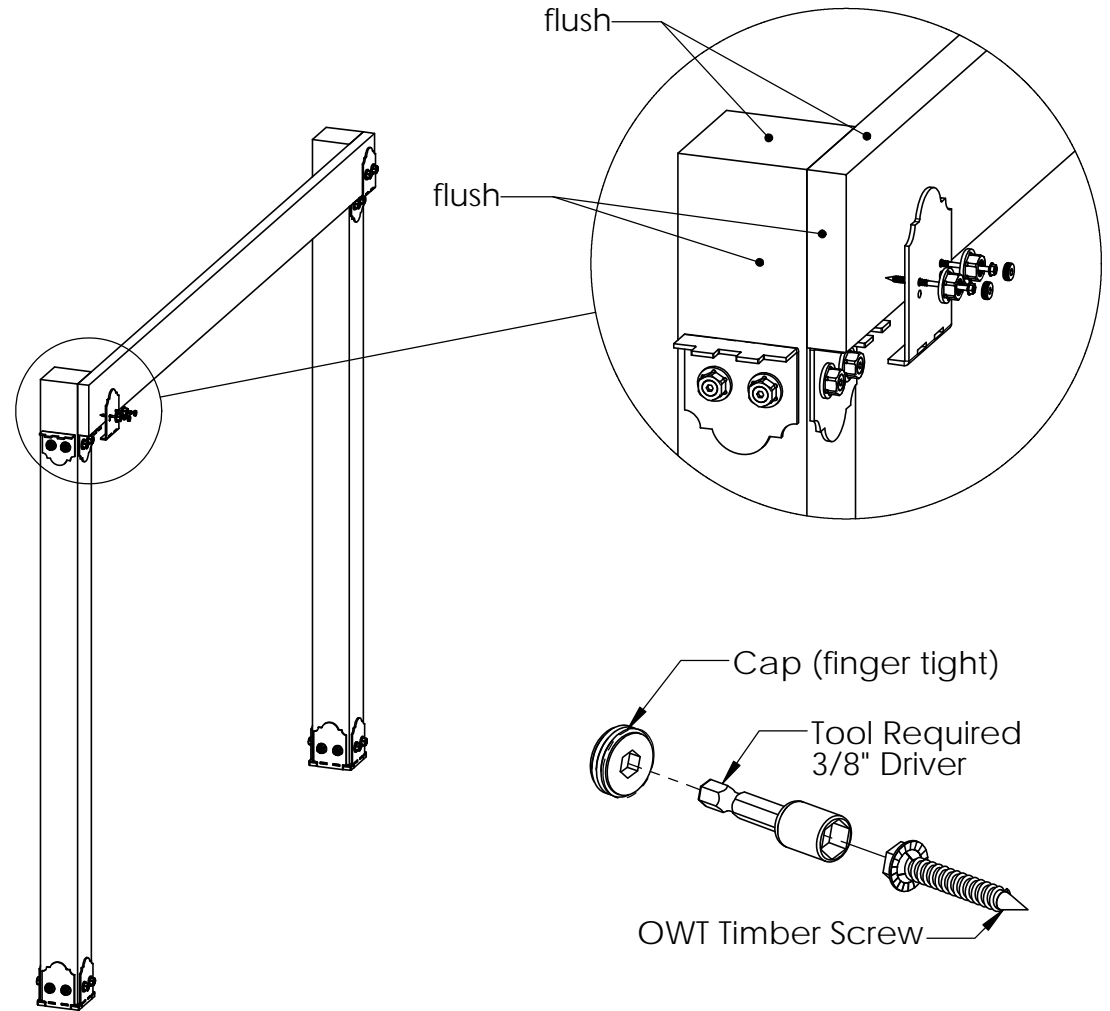
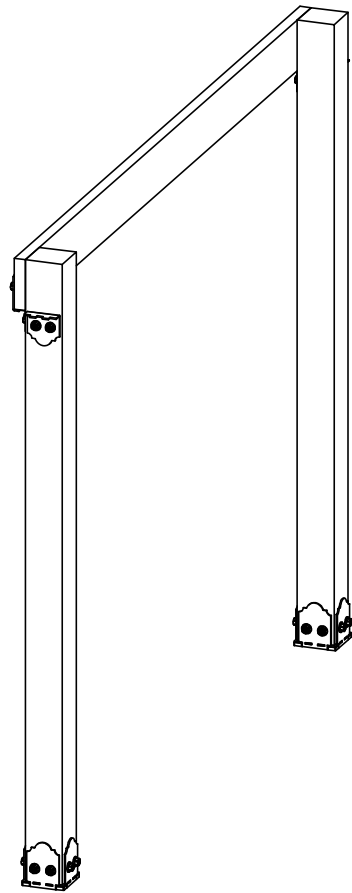
ITEM NO.	Project 315 (12x12)/default/QTY.	PART NUMBER	DESCRIPTION
1	2	2x8 Cedar Board	2x8x12'0"
2	2	2x8 Cedar Board	2x8x9'9 7/8"
3	2	4x4 Cedar Post	23" Lawnmaster Support-left
4	4	4x4 Cedar Post	30" Lawnmaster Support
5	2	4x4 Cedar Post	23" Lawnmaster Support-right
6	1.08	56628	Screw, OWT 5-3/4" (145mm) Timber with HCN

## Project 315 (12x12) Beam & Support

DIY Vineyard Pergola Beam & Support

for dimensional details, see Overview page

V2.00 - Installation Instructions, Specifications and Project Plans are effective 9/7/2016 . This information is updated periodically and should not be relied upon after 2 years from 9/7/2016 . Please visit OZCOBP.com to get current information.



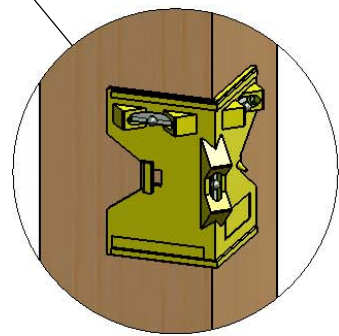
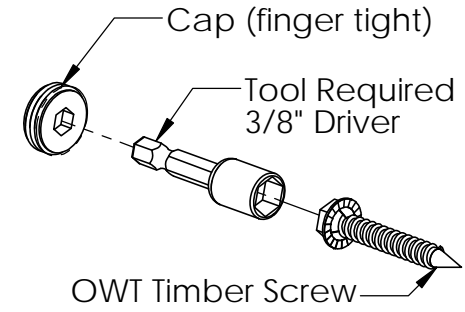
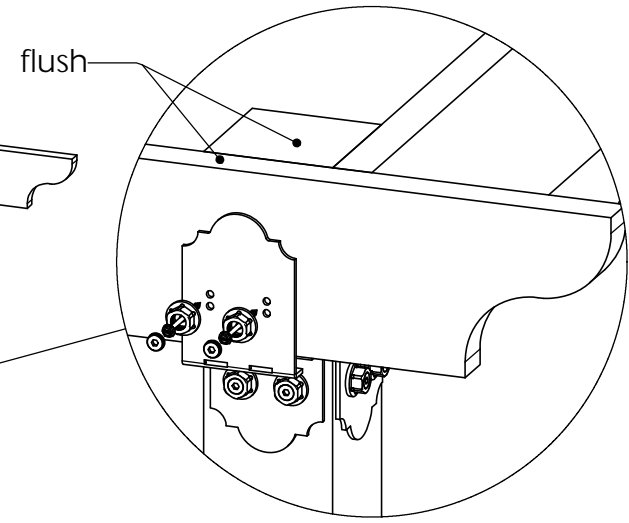
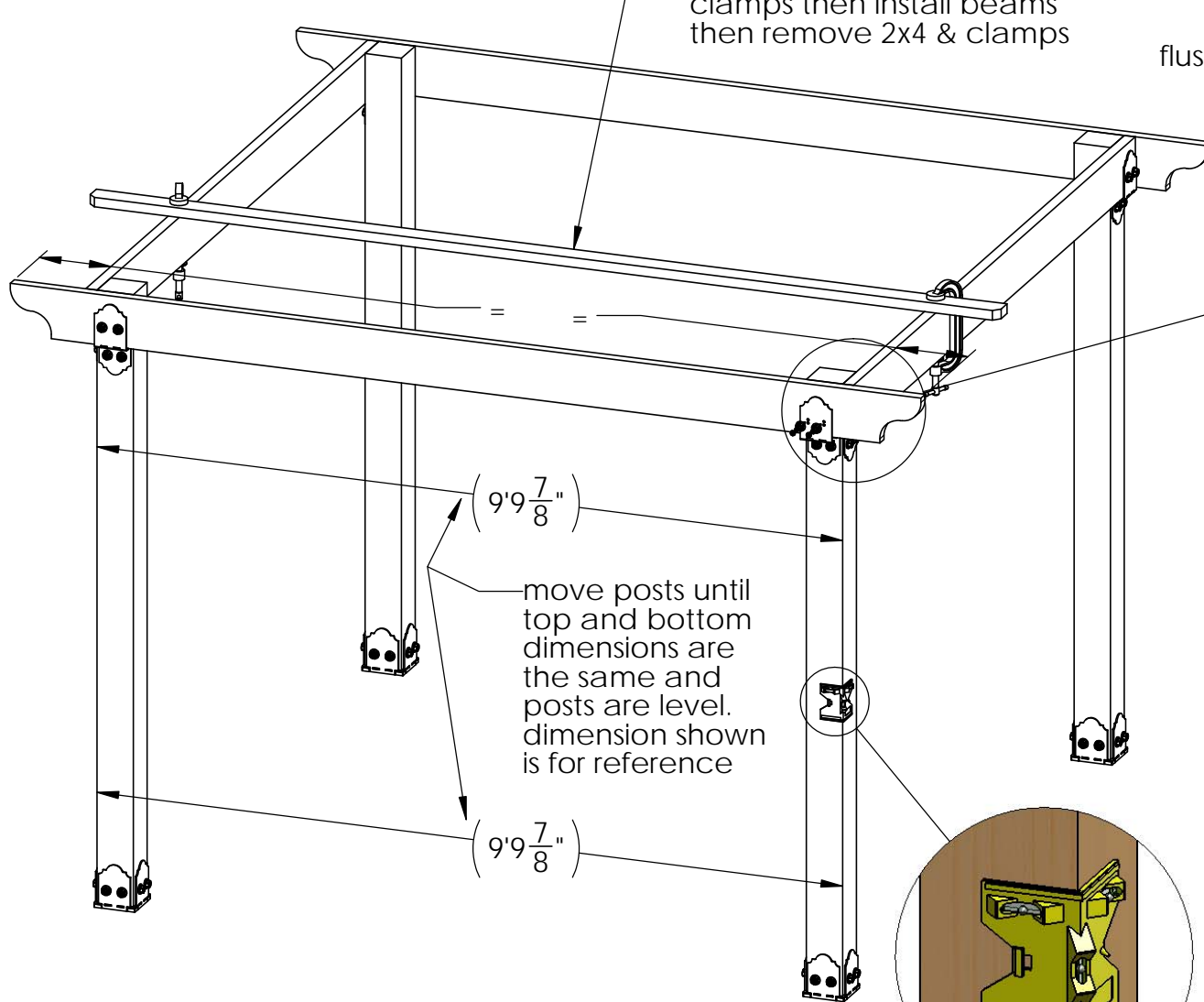
## Project 315 (12x12) step 3

DIY Vineyard Pergola Beam & Support

for dimensional details, see Overview page

V2.00 - Installation Instructions, Specifications and Project Plans are effective 9/6/2016 . This information is updated periodically and should not be relied upon after 2 years from 9/6/2016 . Please visit [OZCOBP.com](http://OZCOBP.com) to get current information.

once posts are even & level, temporarily secure structure with 2x4 & clamps then install beams then remove 2x4 & clamps

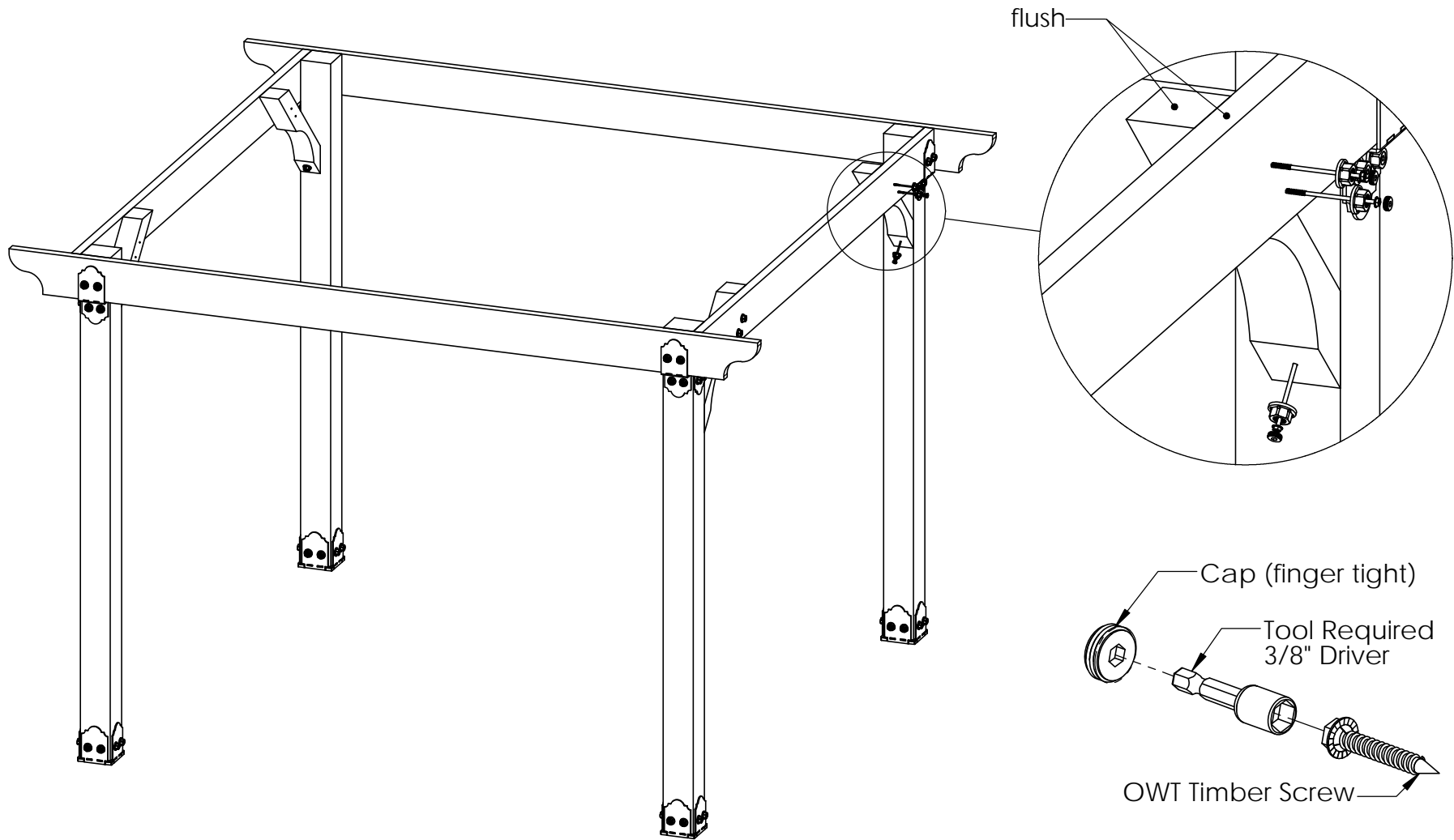


Tip:  
To ensure level posts, use Post Level (OZCO #50740; not included)

## Project 315 (12x12) step 4

DIY Vineyard Pergola Beam & Support

for dimensional details, see Overview page

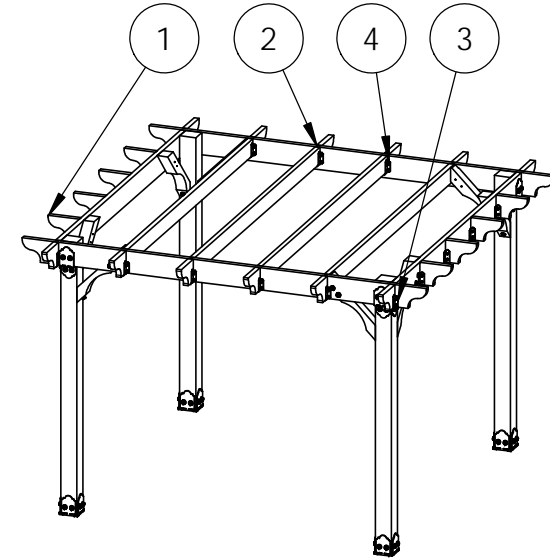
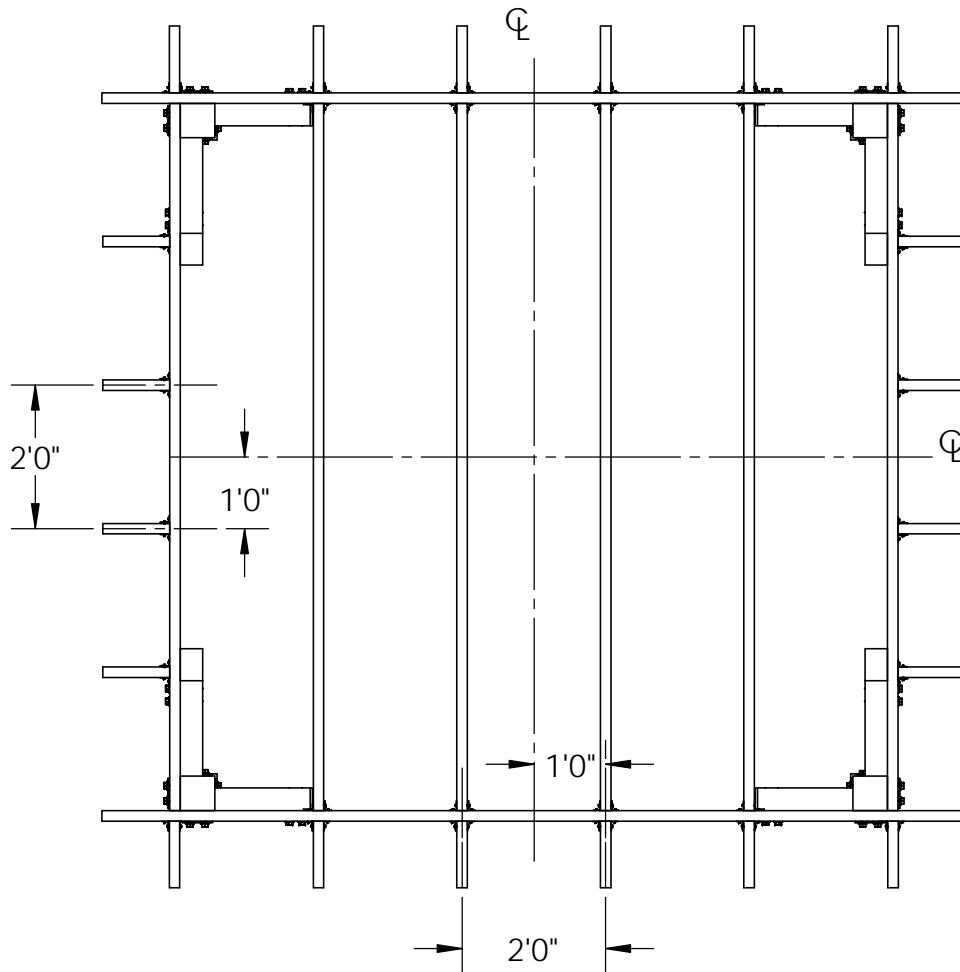


## Project 315 (12x12) step 5

DIY Vineyard Pergola Beam & Support

for dimensional details, see Overview page

V2.00 - Installation Instructions, Specifications and Project Plans are effective 9/6/2016 . This information is updated periodically and should not be relied upon after 2 years from 9/6/2016 . Please visit [OZCOBP.com](http://OZCOBP.com) to get current information.

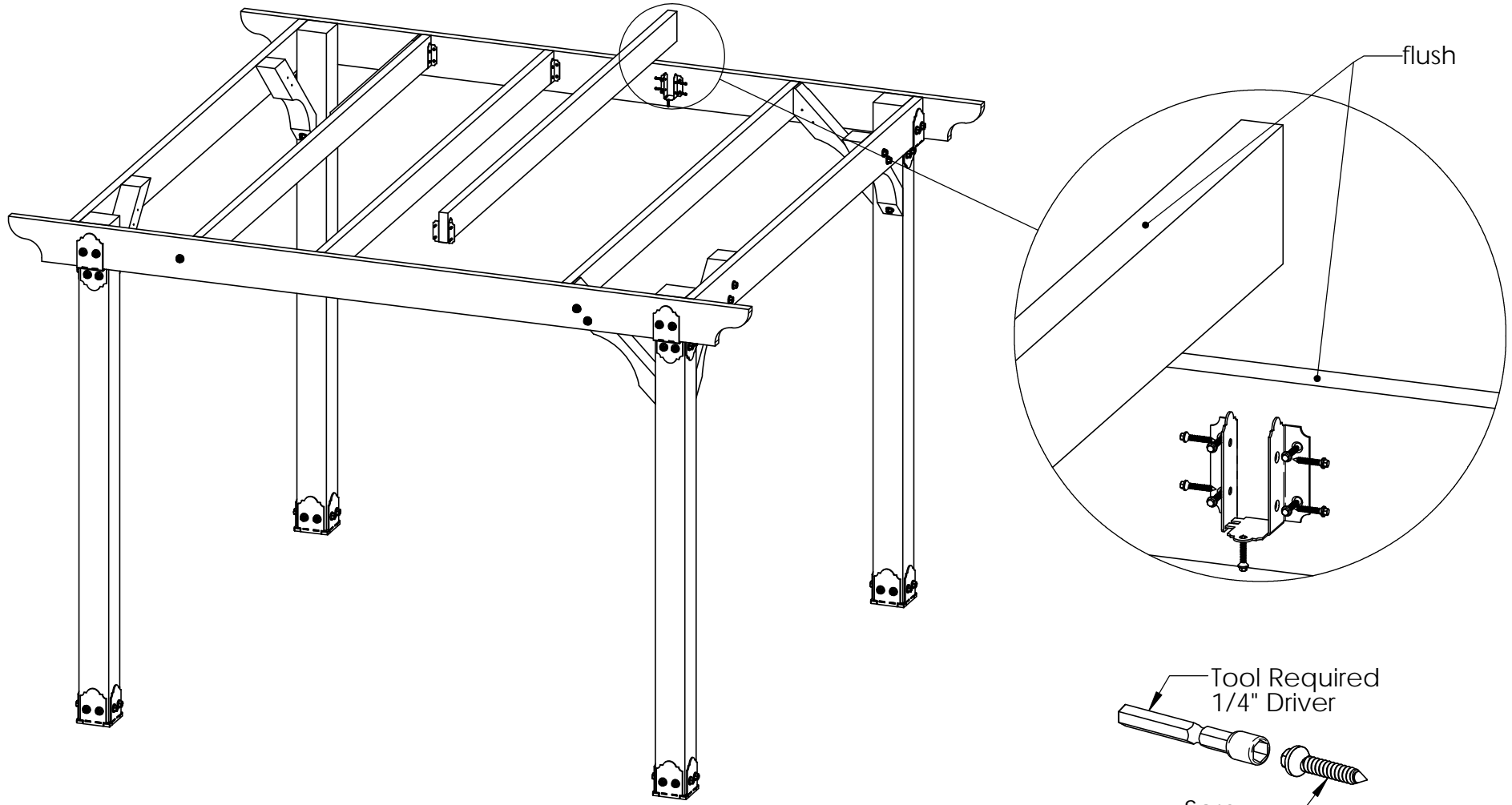


ITEM NO.	QTY.	PART NUMBER	DESCRIPTION
1	20	2x8 Cedar Board	2x8x11 1/8"
2	4	2x6 Cedar Board	2x6x9'9 7/8"
3	3.32	56640	6-8" Joist Hanger Tab (JHT-68-LS)
4	1.328	56639	6-8" Joist Hanger Flush (JHF-68-LS)

## Project 315 (12x12) Rafters

DIY Vineyard Pergola Rafters

for dimensional details, see Overview page

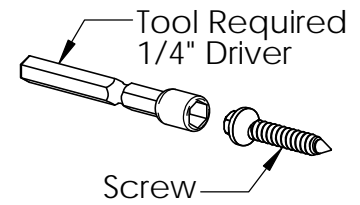
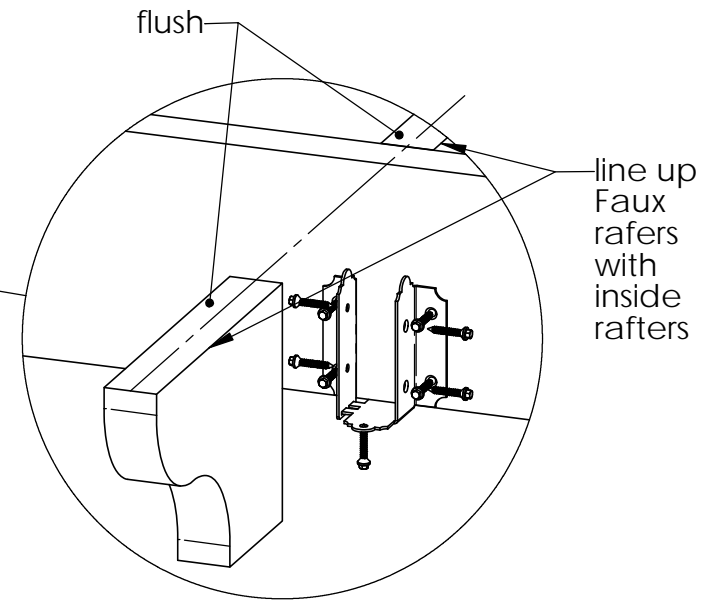
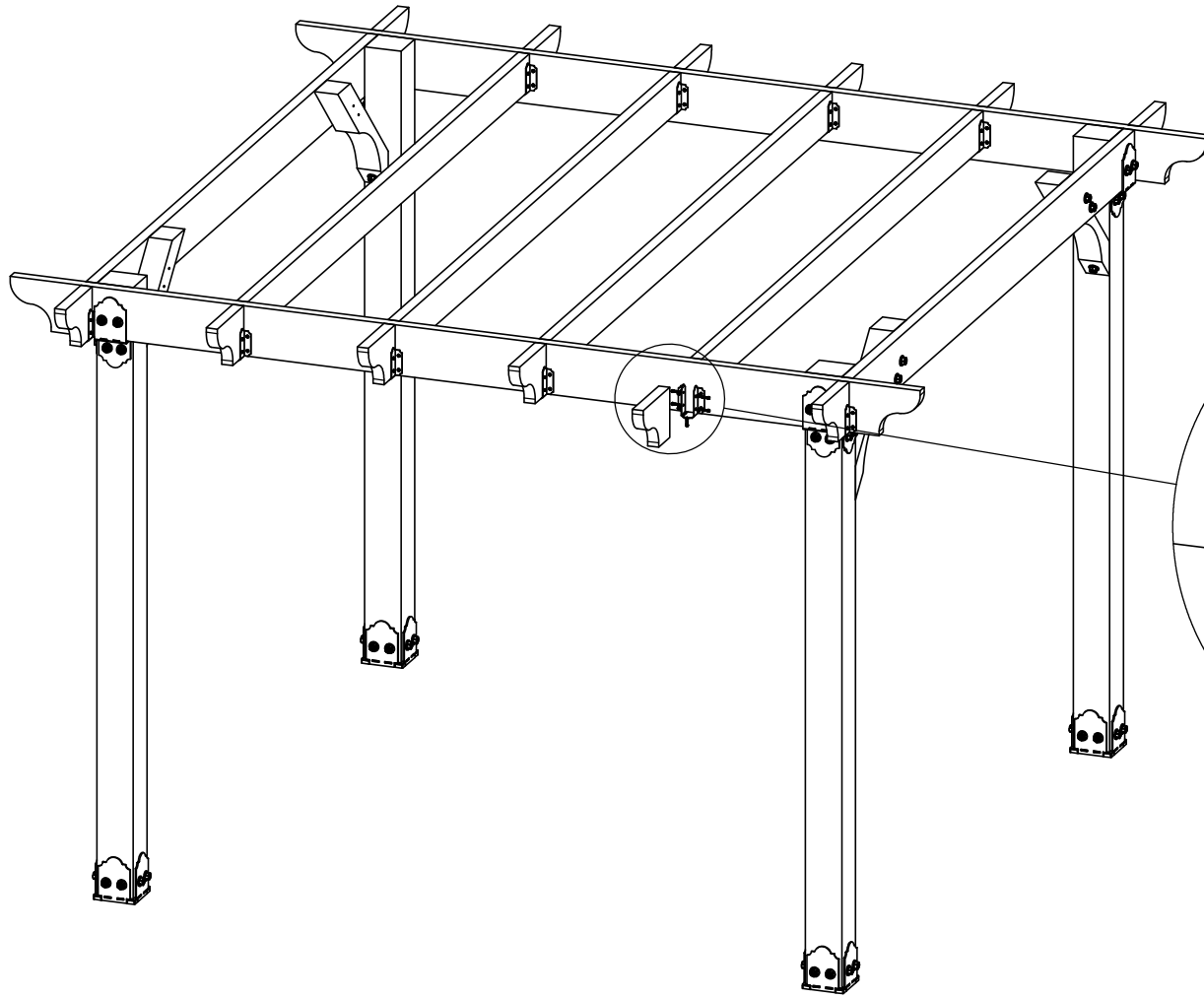


## Project 315 (12x12) step 6

DIY Vineyard Pergola Rafters

for dimensional details, see Overview page

V2.00 - Installation Instructions, Specifications and Project Plans are effective 9/6/2016 . This information is updated periodically and should not be relied upon after 2 years from 9/6/2016 . Please visit [OZCOBP.com](http://OZCOBP.com) to get current information.



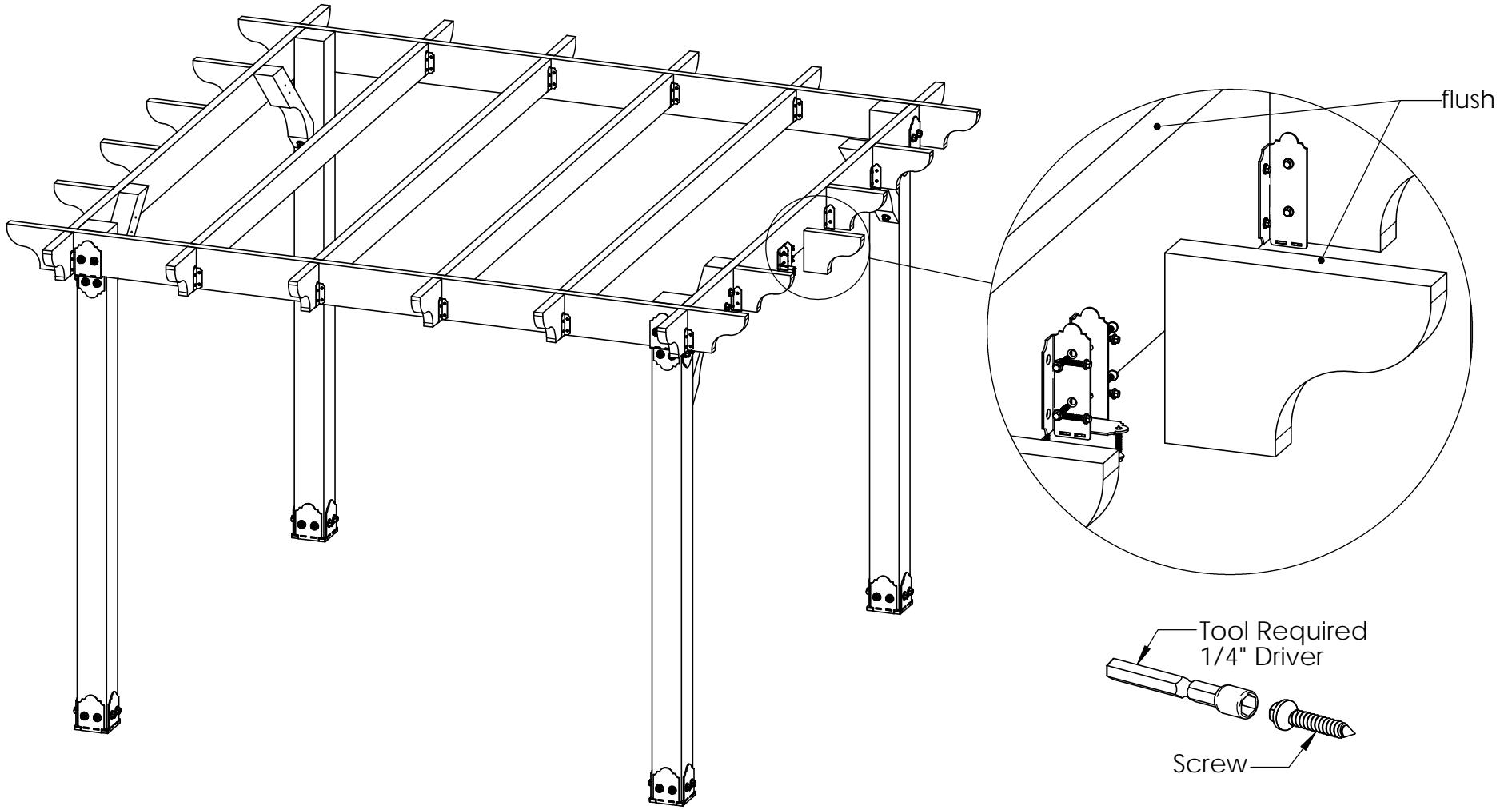
# Project 315 (12x12) step 7

DIY Vineyard Pergola Rafters

for dimensional details, see Overview page

V2.00 - Installation Instructions, Specifications and Project Plans are effective 9/6/2016 . This information is updated periodically and should not be relied upon after 2 years from 9/6/2016 . Please visit OZCOBP.com to get current information.





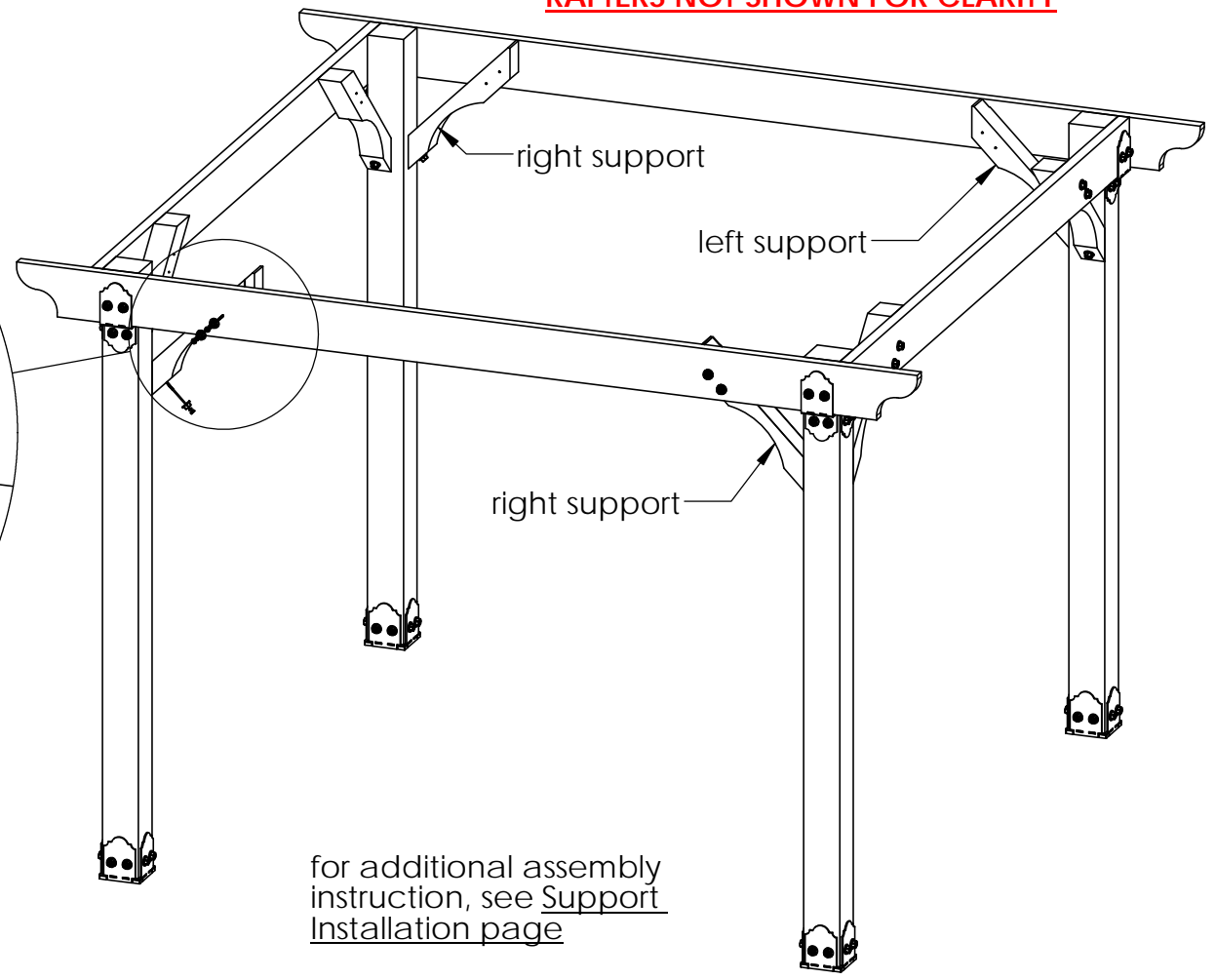
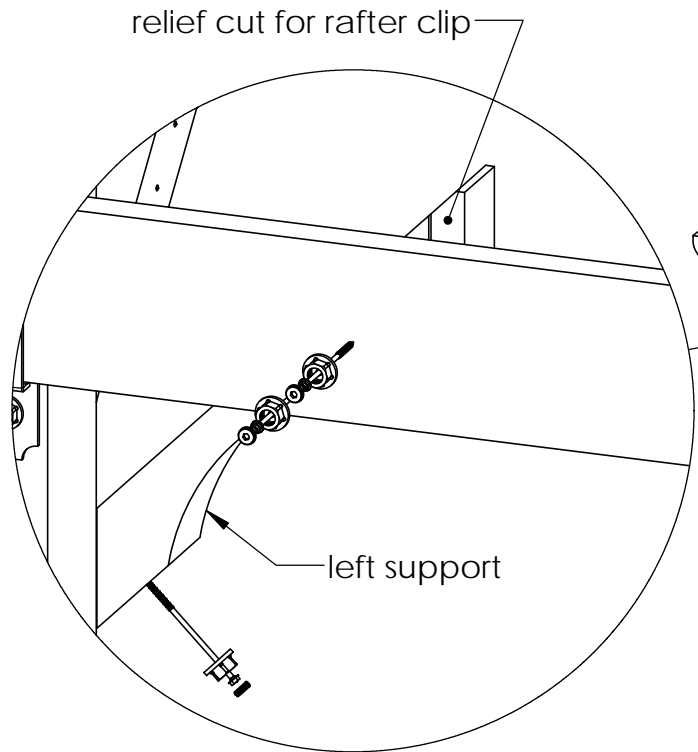
## Project 315 (12x12) step 8

DIY Vineyard Pergola Rafters

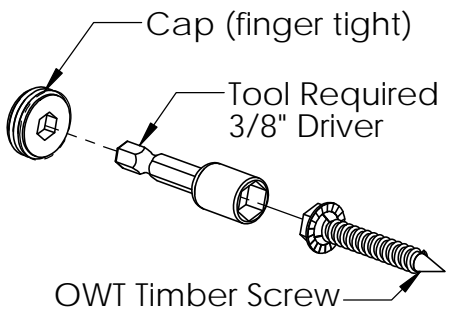
for dimensional details, see Overview page

V2.00 - Installation Instructions, Specifications and Project Plans are effective 9/6/2016 . This information is updated periodically and should not be relied upon after 2 years from 9/6/2016 . Please visit [OZCOBP.com](http://OZCOBP.com) to get current information.

**RAFTERS NOT SHOWN FOR CLARITY**



for additional assembly instruction, see [Support Installation page](#)

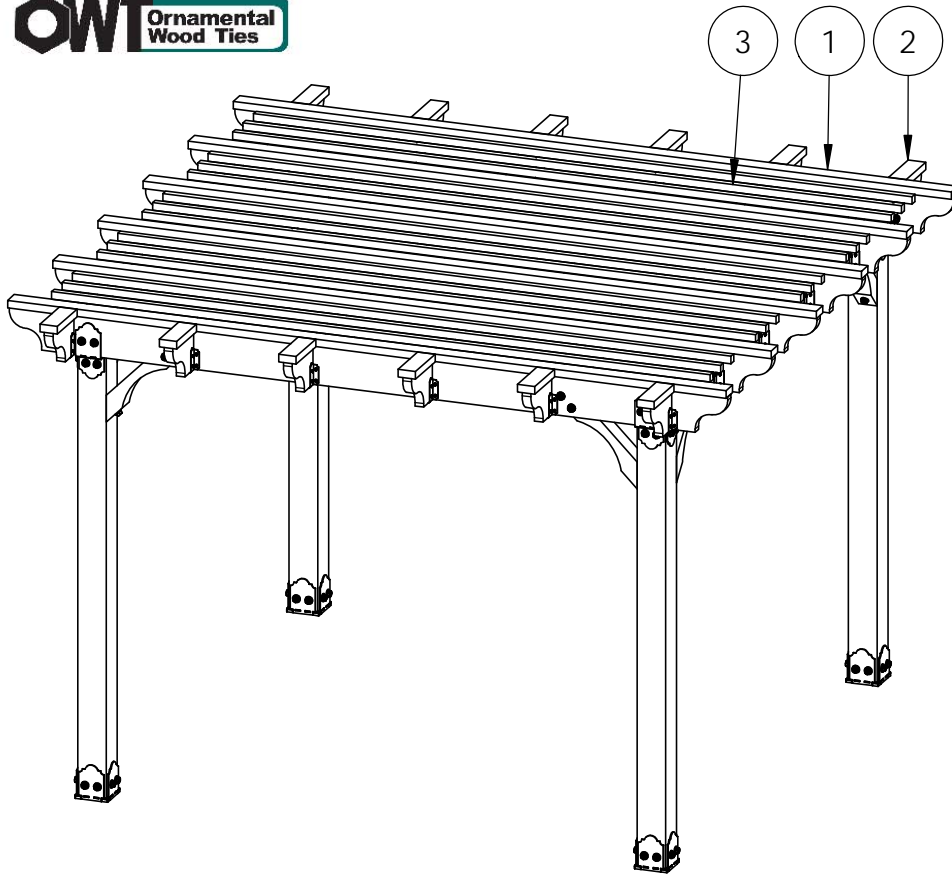


## Project 315 (12x12) step 9

DIY Vineyard Pergola Beam & Support

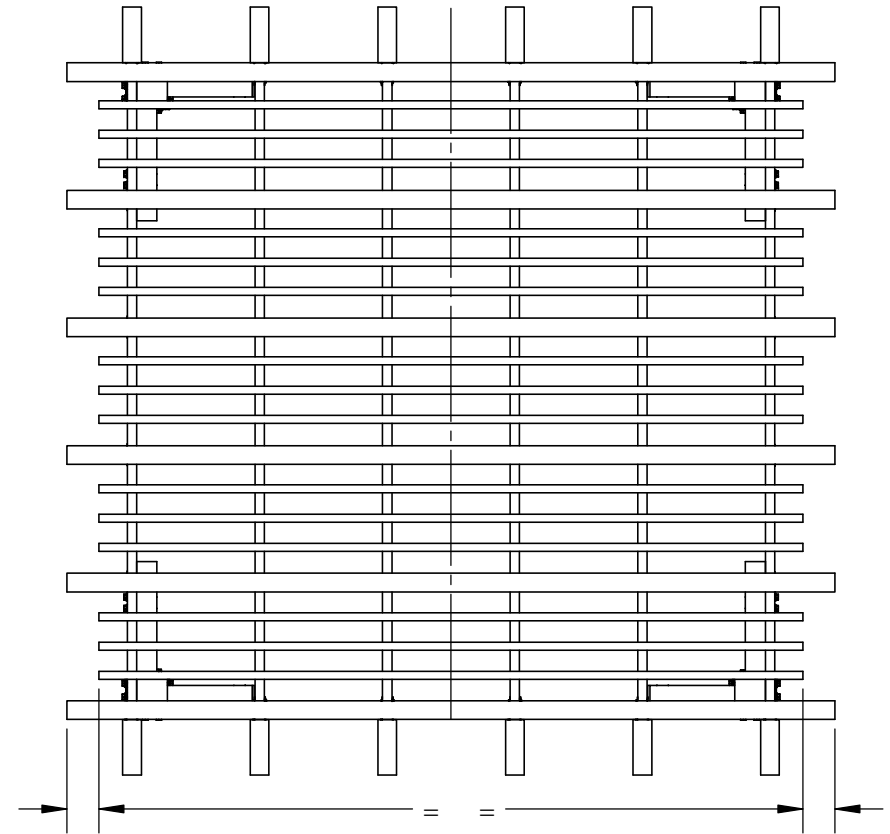
for dimensional details, see Overview page

V2.00 - Installation Instructions, Specifications and Project Plans are effective 9/6/2016 . This information is updated periodically and should not be relied upon after 2 years from 9/6/2016 . Please visit [OZCOBP.com](http://OZCOBP.com) to get current information.



ITEM NO.	QTY.	PART NUMBER	DESCRIPTION
1	6	2x4 Cedar Board	2x4x12'0"
2	12	2x4 Cedar Board	2x4x10 7/16"
3	15	2x2 Cedar Board	2x2x11'0"

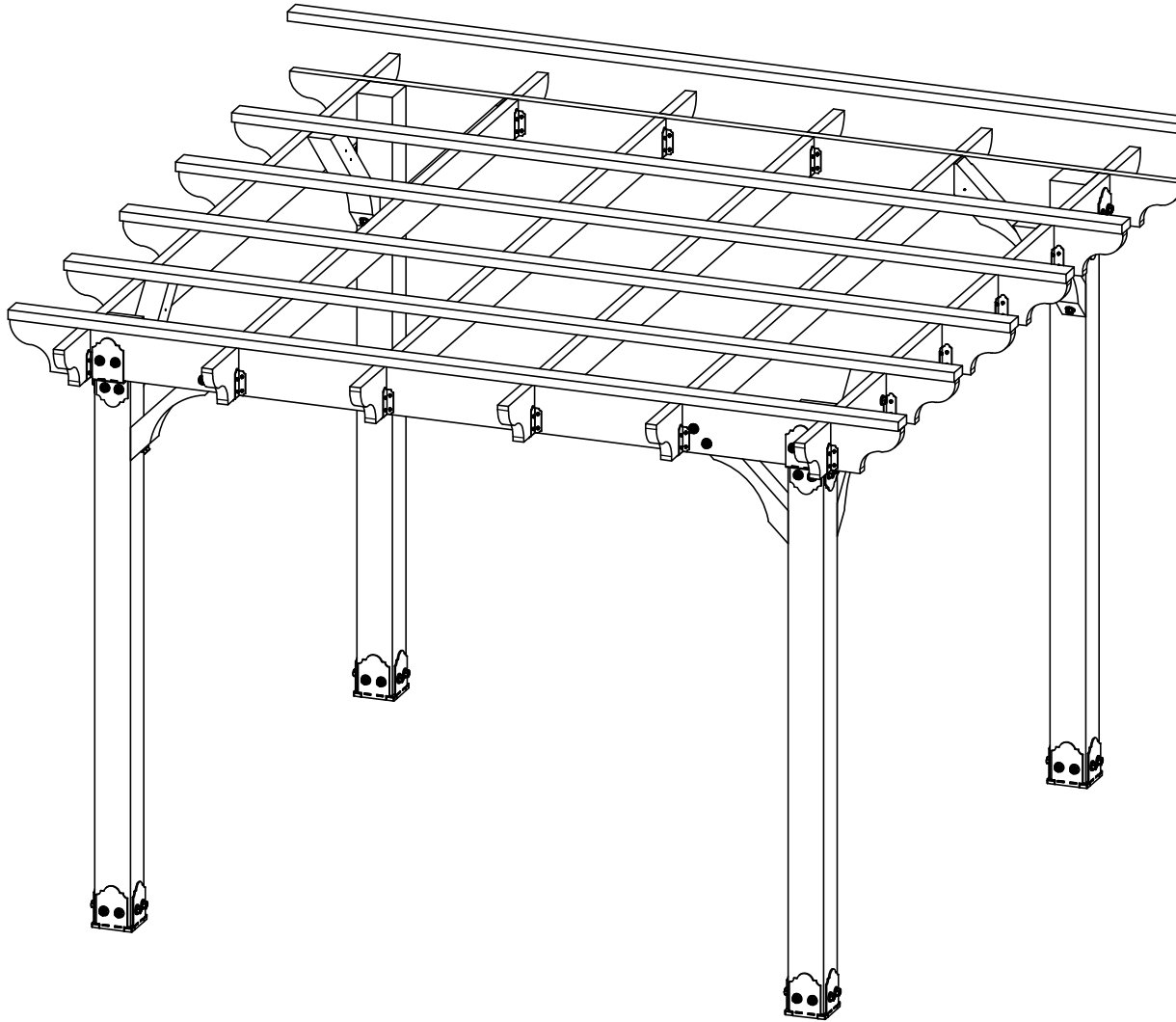
⌀



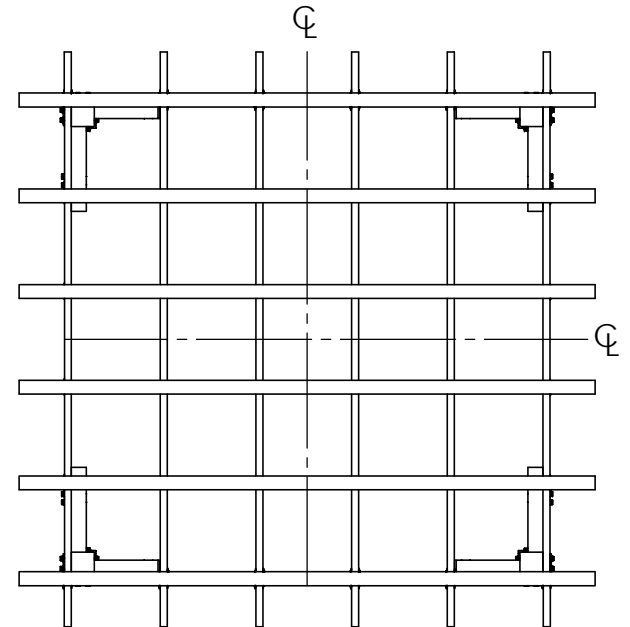
for dimensional details, see Overview page

## Project 315 (12x12) Purlins

DIY Vineyard Pergola Purlins



2x4 Purlins are centered on Rafters and secured with provided screws at each intersection (not shown)

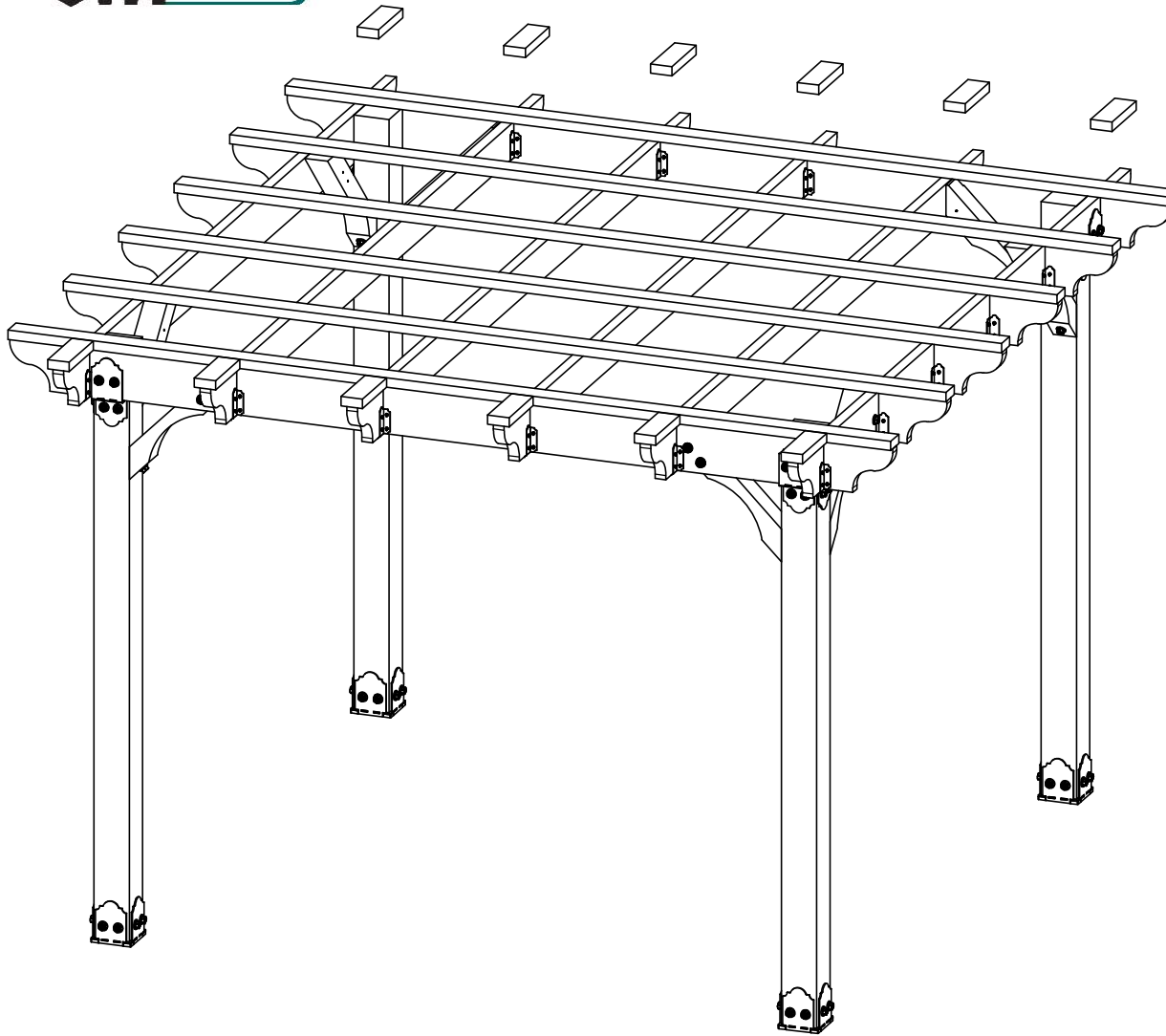


## Project 315 (12x12) step 10

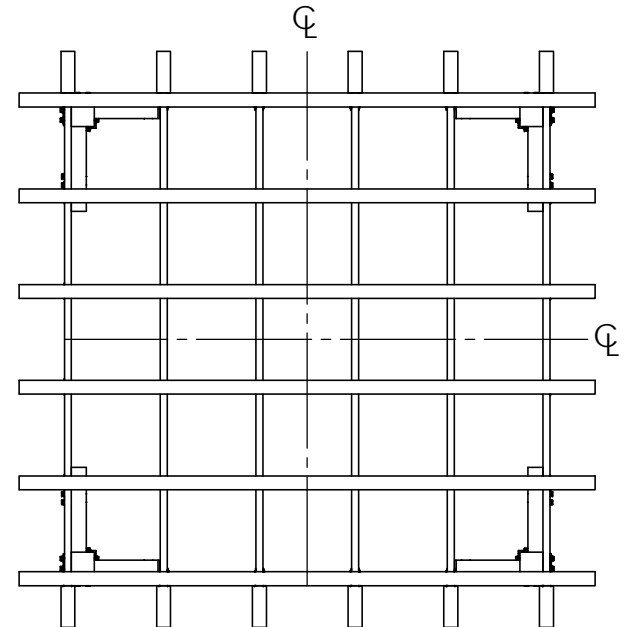
DIY Vineyard Pergola Purlins

for dimensional details, see Overview page

V2.00 - Installation Instructions, Specifications and Project Plans are effective 9/7/2016 . This information is updated periodically and should not be relied upon after 2 years from 9/7/2016 . Please visit [OZCOBP.com](http://OZCOBP.com) to get current information.



2x4 Purlins are centered on Rafters and secured with provided screws at each intersection (not shown)

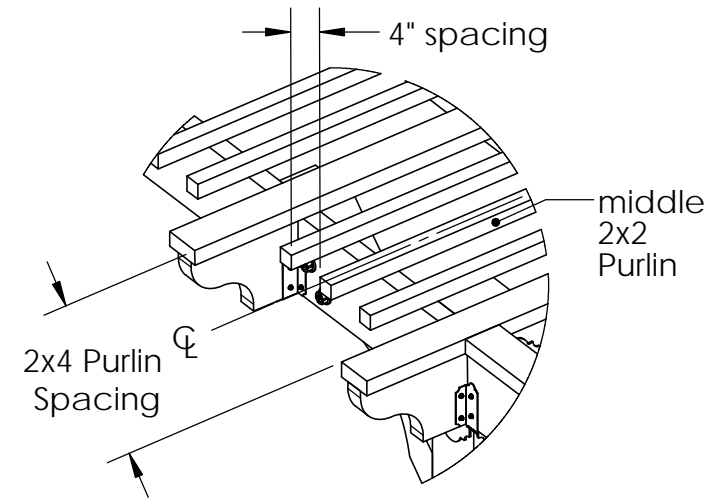
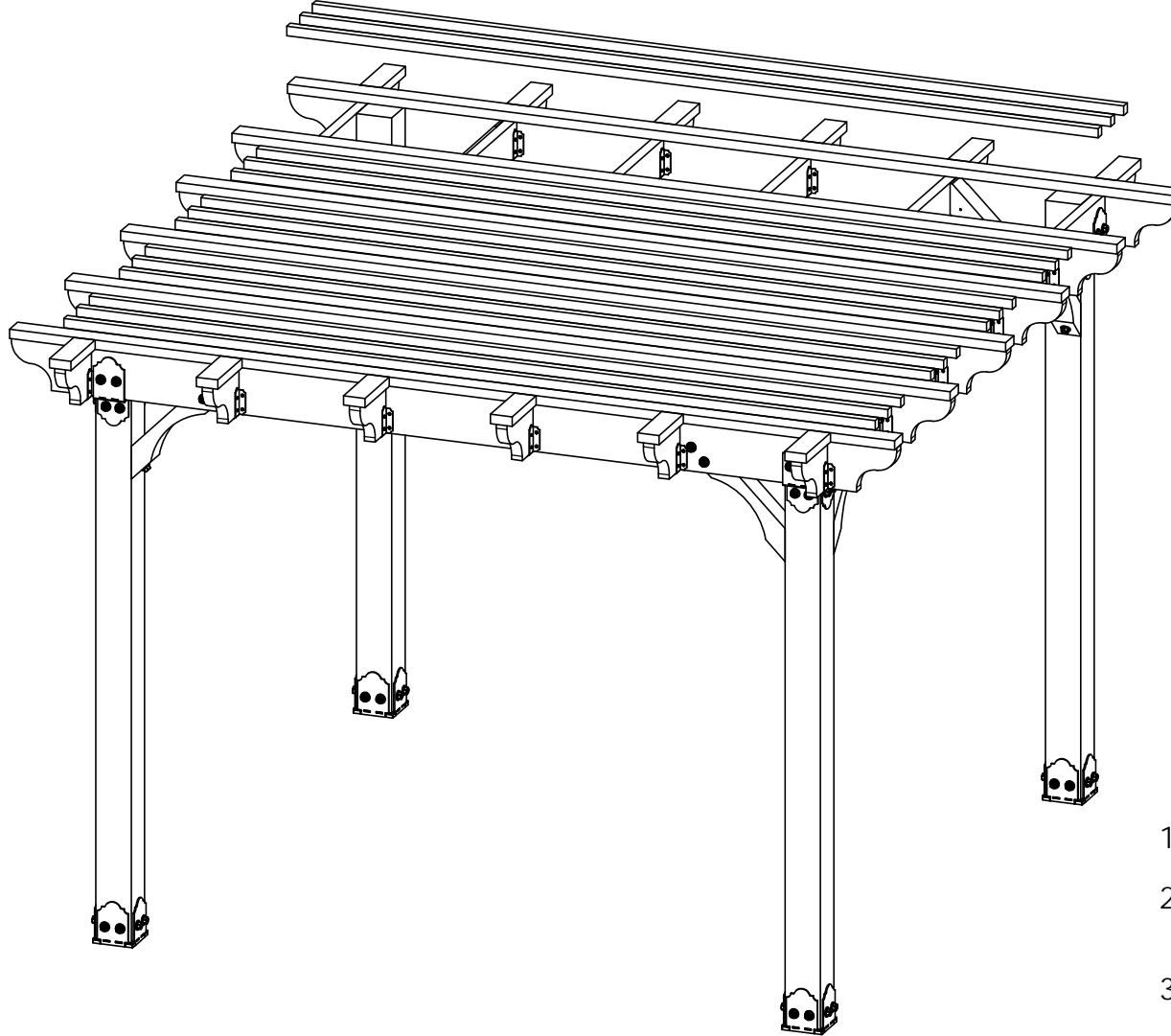


## Project 315 (12x12) step 11

DIY Vineyard Pergola Purlins

for dimensional details, see Overview page

V2.00 - Installation Instructions, Specifications and Project Plans are effective 9/7/2016 . This information is updated periodically and should not be relied upon after 2 years from 9/7/2016 . Please visit [OZCOBP.com](http://OZCOBP.com) to get current information.



1. Locate Center Line (CL) between "2x4 Purlin Spacing".
2. Install "middle 2x2 Purlin" on CL as shown. Secured provided screws at each intersection (not shown).
3. Install additional 2x2 Purlins spaced as shown.

## Project 315 (12x12) step 12

DIY Vineyard Pergola Purlins

for dimensional details, see Overview page