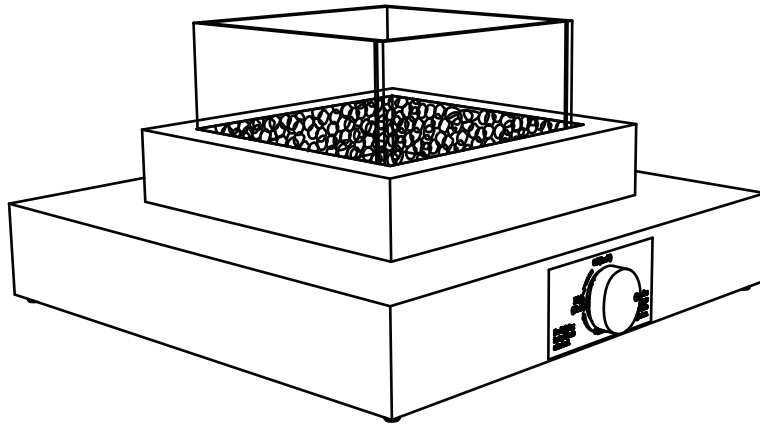




Item #1002 665 537
Model #GFT-30174

USE AND CARE GUIDE

Table Propane Firepit



Questions, problems, missing parts? Before returning to the store,
call Hampton Bay Customer Service
8 a.m. - 7 p.m., EST, Monday-Friday
9 a.m. - 6 p.m., EST, Saturday
1-855-HD-HAMPTON

HAMPTONBAY.COM

THANK YOU

We appreciate the trust and confidence you have placed in Hampton Bay through the purchase of this fire pit. We strive to continually create quality products designed to enhance your home. Visit us online to see our full line of products available for your home improvement needs. Thank you for choosing Hampton Bay!

Table of Contents

Table of Contents	2	Package Contents.....	7
Safety Information.....	3	Assembly.....	8
Warranty.....	6	Operating Instructions	11
What is Covered.....	6	Maintenance.....	13
What is Not Covered	6	Care and Cleaning	13
Pre-Assembly.....	6	Troubleshooting	14
Planning Assembly.....	6	Service Parts	15
Tools Required	6		

Safety Information

Read the instruction before use. This appliance must be installed in accordance with such regulations as are enforced.



CAUTION: Installer: Leave the manual with the user for future use. **Consumer:** Please keep this manual for future reference.



DANGER: IF YOU SMELL GAS, Shut off gas to the appliance; Extinguish any open flame. If odor continues, keep away from the appliance and immediately call your gas supplier or fire department.



DANGER: CARBON MONOXIDE HAZARD. This appliance can produce carbon monoxide, which has no odor. Using it in an enclosed space can cause injury or death. Never use this appliance in an enclosed space such as a camper, tent or building.



WARNING: Do not try to light this appliance without reading the “LIGHTING” instructions section of this manual. Do not store or use gasoline or other flammable liquids or vapors in the vicinity of this or any other appliance. An LP cylinder not connected for use must not be stored in the vicinity of this or any other appliance. If the information in this instruction manual is not followed exactly, a fire or explosion may result, causing property damage, personal injury, or death.



WARNING: FOR OUTDOOR USE ONLY!



WARNING: Improper installation, adjustment, alteration, service or maintenance can cause property damage, injury, or death. Read the installation, operating, and maintenance instructions thoroughly before installing or servicing this gas appliance.



WARNING: Never leave this appliance unattended when hot or in use. Keep out of reach of children.

Safety Information (continued)



WARNING:

This appliance is for outdoor use only, and should NOT be used in a building, garage or any other enclosed area.

Do NOT operate, light or use this appliance within 10 ft. (3.05m) of walls, structures or buildings.

For residential use only. This outdoor fireplace is NOT for commercial use.

Do NOT use this outdoor fireplace indoors; TOXIC carbon monoxide fumes can accumulate and cause asphyxiation.

This outdoor fireplace is safety certified for use in the United States and/or Canada only. Do NOT modify for use in any other location. Modification will result in a safety hazard and will void your warranty.

Apartment dwellers: Check with management to learn the requirements and fire codes for using a liquid propane (LP) gas outdoor fireplace in your apartment complex. If allowed, use outside on the ground floor with a 10 ft. (3.05m) clearance from any structure. Do NOT use on or under balconies.

This outdoor fireplace, from the factory, is for use with LP gas only. The conversion to or attempted use of natural gas in this outdoor fireplace is dangerous, may cause bodily harm and will void your warranty.

Always use this outdoor fireplace on a hard, level, non-combustible table such as concrete, rock/stone or metal. NEVER use on a wood or composite table.

NEVER use a table cloth or other table covering when using the outdoor fireplace.

LP gas characteristics:

- a. LP gas is flammable and hazardous if handled improperly. Become aware of the characteristics before using any LP gas product.
- b. LP gas is explosive under pressure, heavier than air, and settles/pools in low areas.
- c. LP gas in its natural state has no odor. For your safety, an odorant is added that smells like rotten cabbage.
- d. Contact with LP gas can cause freeze burns to skin.

An LP gas tank is needed to operate. Only tank marked "propane" may be used.

- a. The LP gas cylinder must be constructed and marked in accordance with the U.S. Department of Transportation (D.O.T) Specifications for LP-Gas Cylinders, or the Standard for Cylinders, Spheres and Tubes for the Transportation of Dangerous Goods and Commission, CAN/CSA-B339 as applicable.
- b. LP gas tank must be arranged for vapor withdrawal.
- c. Never use an LP gas tank with a damaged body, valve, collar or footing.
- d. Dented or rusted LP gas tanks may be hazardous and should be checked by your LP gas supplier prior to use.
- e. The LP gas tank should not be dropped or handled roughly.
- f. Tanks must be stored outdoors, out of the reach of children and must not be stored in a building, garage or any other enclosed area. Your LP gas tank must never be stored where temperatures can reach over 125 °F.
- g. Do not insert any tool or foreign object into the valve outlet or safety relief valve. You may damage the valve and cause a leak. Leaking propane may result in explosion, fire, severe personal injury or death.
- h. Never keep an LP gas tank in a hot car or truck. Heat will cause the gas pressure to increase, which may open the relief valve and allow gas to escape.
- i. Do NOT store a spare LP gas tank under or near this appliance.
- j. A fire causing serious injury or damage to property may occur if the above is not followed exactly.



WARNING: FUELS USED IN LIQUIFIED PROPANE GAS APPLIANCES, AND THE PRODUCTS OF COMBUSTION OF SUCH FUELS, CAN EXPOSE YOU TO CHEMICALS INCLUDING BENZENE, WHICH IS KNOWN TO THE STATE OF CALIFORNIA TO CAUSE CANCER AND CAUSE BIRTH DEFECTS OR OTHER REPRODUCTIVE HARM. For more information go to: www.P65Warnings.ca.gov.

Safety Information (continued)



WARNING:

Your outdoor fireplace has been checked at all factory connections for leaks. Recheck all connections as described in the “Operating Instructions” section, as shipping can loosen connections.

Check for leaks even if your unit was assembled for you by someone else.

Do NOT operate if a gas leak is present. Gas leaks may cause a fire or explosion.

You must follow all instructions in the “Check for Leaks” section before operating. To prevent a fire or explosion when testing for a leak:

- a. Always perform a leak test before lighting this outdoor fireplace and each time the tank is connected for use.
- b. No smoking. Do Not use or permit sources of ignition in the area while conducting a leak test.
- c. Conduct the leak test outdoors in a well-ventilated area.
- d. Do NOT use matches, lighters or a flame to check for leaks.
- e. The use of alcohol, prescription or non-prescription drugs may impair the consumer’s ability to properly assemble or safely operate the appliance.
- f. Strong odors, colds, sinus congestion, etc. may prevent the detection of propane. Use caution and common sense when testing for leaks.
- g. Do NOT use this outdoor fireplace until any and all leaks are corrected.
If you are unable to stop a leak, disconnect the LP gas supply. Call a gas appliance serviceman or your local LP gas supplier.

Do NOT store or use gasoline or other flammable liquids or vapors within 25 ft. (7.62m) of this appliance.

Do NOT use in an explosive atmosphere. Keep outdoor fireplace area clear and free from combustible materials, gasoline and other flammable vapors and liquids.

This outdoor fireplace is NOT to be operated by children.

This outdoor fireplace is NOT to be used in or on boats or recreational vehicles.

Do NOT connect to a remote gas supply.

Never attempt to attach this outdoor fireplace to the self-contained LP gas system of a camper trailer, motor home or house.

Always use in accordance with all applicable local, state and national codes. Contact your local fire department for details on outdoor burning.

When using this outdoor fireplace, exercise the same precautions you would with any open fire.

Do NOT use this outdoor fireplace without reading the entire Owner’s Manual.

Do NOT burn solid fuels such as: wood, charcoal briquettes, lump charcoal, manufactured logs, driftwood, trash, leaves, paper, cardboard, plywood, painted/stained/pressure treated wood in this outdoor fireplace.

It is essential to keep the outdoor fireplace’s valve compartment, burners, and circulating air passages clean. Inspect the outdoor fireplace before each use.

Do NOT use this outdoor fireplace until it is COMPLETELY assembled and all parts are securely fastened and tightened.

Do NOT use this outdoor fireplace near automobiles, trucks, vans or recreational vehicles.

Do NOT use this outdoor fireplace under any overhang or near any unprotected combustible constructions. Avoid using near or under overhanging trees and shrubs.

Do NOT use this outdoor fireplace for cooking.

Do NOT use this appliance if any part has been under water. Immediately call a qualified service technician to inspect the appliance and to replace any part or control system and any gas control which has been under water.

Do NOT wear flammable or loose clothing when operating this outdoor fireplace.

Safety Information (continued)



WARNING:

Do NOT use in windy conditions.

Never lean over this outdoor fireplace when lighting or when in use.

Do NOT use this outdoor fireplace unless burner is securely in place.

Keep all electrical cords away from this outdoor fireplace during use.

Certain areas of this outdoor fireplace when in use will become too hot to touch. To avoid burns, do NOT touch hot surfaces until the unit has completely cooled (about 45 minutes), unless you are wearing protective gear (such as insulated pot holders or heat-resistant gloves/ mittens).

Do NOT leave a lit outdoor fireplace unattended, especially around children and pets.

Children and adults should be alerted to the hazards of high surface temperatures and should stay away to avoid burns or clothing ignition.

Young children should be carefully supervised when they are in the area of the appliance.

Clothing or other flammable materials should not be hung from the appliance or placed on or near this appliance.

Any guard or other protective device removed for servicing the appliance shall be replaced prior to operating the appliance.

Installation and repair should be done by qualified service person. The appliance should be inspected before use and at least annually by a qualified service person. More frequent cleaning may be required as necessary. It is imperative that the control compartment, burners, and circulating air passageways of the appliance are kept clean.

If applicable, protective cover must be removed when burner is in operation.

Do NOT attempt to move the outdoor fireplace when in use. Allow the outdoor fireplace to cool before moving or storing.

This outdoor fireplace should be thoroughly cleaned and inspected on a regular basis. Inspect the burner before each use of the appliance. If there is evidence of burner damage, the burner must be replaced prior to the appliance being operated.

This outdoor fireplace should be inspected at least annually by a qualified service person. Depending on amount of use, more frequent cleaning may be required. Do NOT operate until all parts have been repaired or replaced.

Use only the regulator assembly provided.

Use only the burner provided.

Do NOT operate this appliance without reading "Operating Instructions" in this manual.

Storage of this outdoor fireplace indoors is permissible only if the tank is disconnected, removed from the outdoor fireplace, and properly stored outdoors.

Do NOT attempt to disconnect the gas regulator from the tank or any gas fitting while the outdoor fireplace is in use.

The cylinder must be disconnected when the appliance is not in use.

The pressure regulator is set for 11 in. of water column.

The maximum inlet gas pressure for this outdoor fireplace is 11 in. of water column.

Before pressure testing, close LP gas tank valve and disconnect gas regulator. The gas supply piping system must test at pressures equal to or less than ½ PSI (3.5kPa).

Do NOT throw anything onto the fire when the unit is in operation.

Fire logs, glass, and lava rock are very hot. Keep children or pets at a safe distance from this appliance.

Do NOT store any combustible materials in the base enclosure.

Use protective gloves when assembling this product.

Do NOT force parts together as this can result in personal injury or damage to the product.

Death, serious injury or damage to property may occur if the above is not followed exactly.

Warranty

1 YEAR LIMITED WARRANTY

WHAT IS COVERED

We warrant the metal frame to be free of manufacturing defects to the original purchaser for one year.

WHAT IS NOT COVERED

It remains the customer's responsibility for freight and packaging charges to and from our service center. This warranty does not cover commercial use, hardware, acts of nature, fire, freezing and abusive use. In addition, purchased parts are not covered under this warranty. We reserve the right to make substitutions with similar merchandise, if the model in question is no longer in production.

Contact the Customer Service Team at 1-855-HD-HAMPTON or visit www.hamptonbay.com.

Pre-Assembly

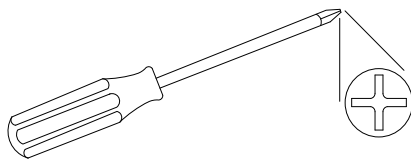
PLANNING ASSEMBLY

Carefully remove all pieces from the carton and make sure that you have all parts (refer to the hardware and package contents list). If you are missing parts, please contact 1-855-HD-HAMPTON for further assistance.

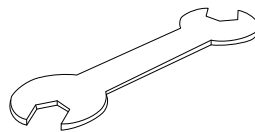


NOTE: Please read and understand the entire manual before you assemble, operate, or install the fire pit.

TOOLS REQUIRED



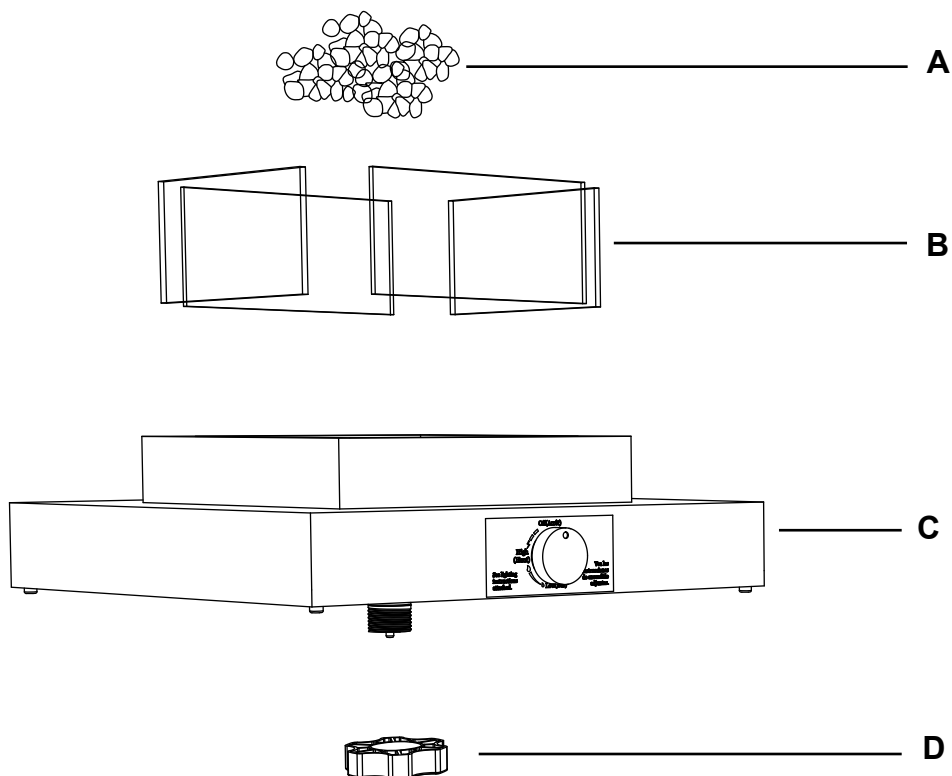
Phillips
screwdriver



M6 Wrench

Pre-Assembly (continued)

PACKAGE CONTENTS



Part	Description	Quantity
A	Glass Rock	1
B	Side Glass	4
C	Base	1
D	Base Nut	1

Assembly

1 Assembling the base nut

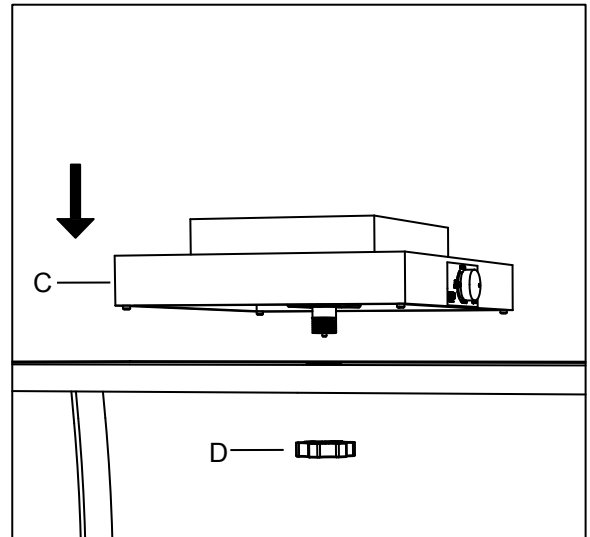
- Place the base (C) over the umbrella opening on your table and secure in place by tightening the base nut (D) underneath the table.



CAUTION:

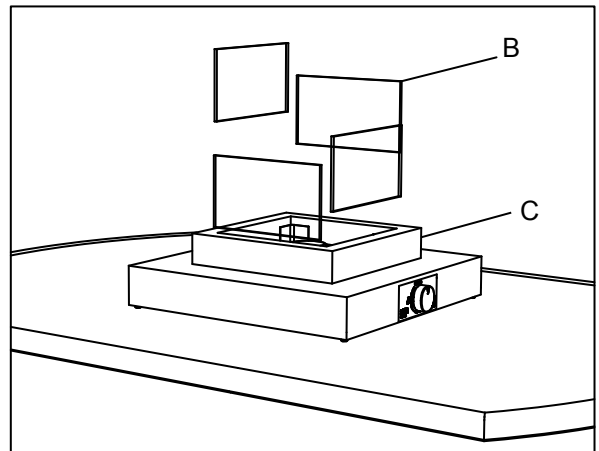
Wear gloves during assembly.

This fireplace is best suited to fit tables that are less than 1.18 in. thick.



2 Assembling the side glass

- Insert the side glass (B) into base (C).



Assembly (continued)

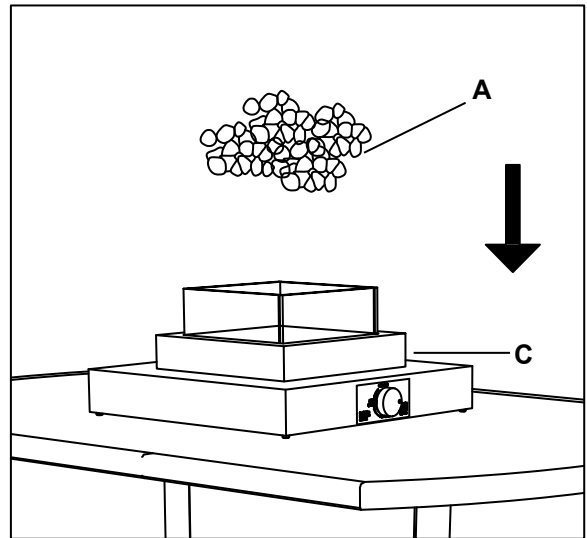
3 Placing the glass rock

- Place the glass rock (A) into the base (C). Leave the burner exposed.



CAUTION:

Do NOT dump glass rock out of package. Carefully place glass rock by hand so dust does not clog burner.



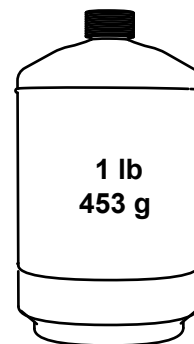
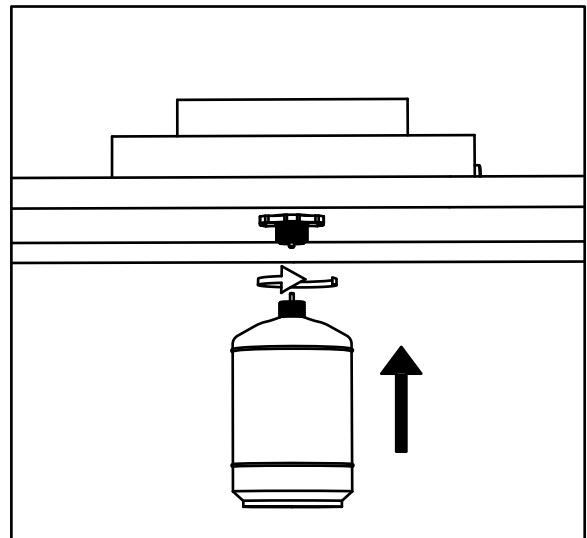
4 Assembling the LP gas tank

- Insert and rotate the gas tank (not included) clockwise into the bottom of the fireplace until they fit snugly together.



CAUTION:

The LP gas tank is sold separately.
Use a 1lb. LP gas tank.



Assembly (continued)

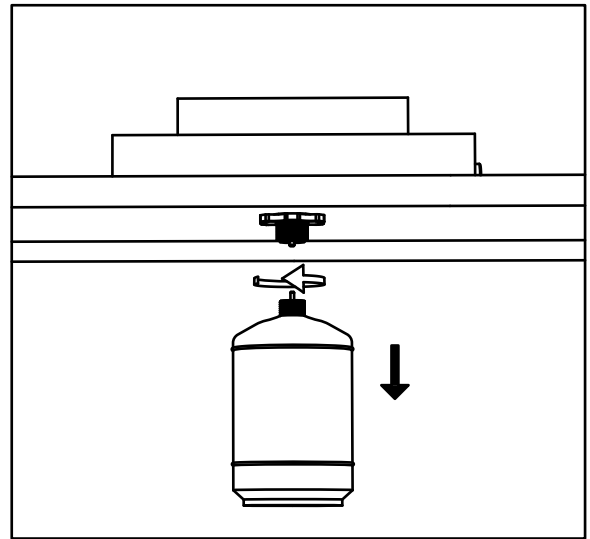
5 Disconnecting the LP gas tank

- Turn the control knob to the “OFF” position.
- Rotate LP gas tank counterclockwise until it is detached.
- Store the LP gas tank in a proper location.
- Place the protective cover on the LP tank and store the tank outdoors in a well ventilated area out of direct sunlight.



CAUTION:

LP gas tank must be properly disconnected and removed prior to moving this outdoor fireplace.



Operating

Check For Leaks



WARNING: Before using this outdoor fireplace, make sure you have read, understand and are following all information provided in the “Safety Information” section beginning on page 2. Failure to follow those instructions can cause death, serious injury or property damage.

Burner Connections

- 1, Make sure the valve connections are securely fastened to the burner and the tank.
- 2, Visually check the connection between the burner / venturi tube and orifice.
- 3, Make sure the burner/ venturi tube fits over the orifice.
- 4, Please refer to the diagram for proper installation (Figures 1 and 2).
- 5, If the burner/venturi tube does not rest flush to the orifice, as shown, please contact 1-855-HD-HAMPTON for assistance.

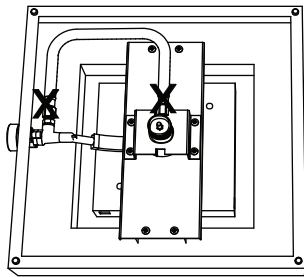


Figure 1

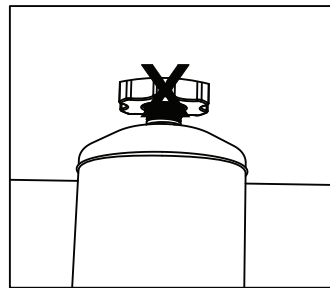


Figure 2



WARNING: Failure to inspect this connection or follow these instructions could cause a fire or an explosion which can cause death, serious bodily injury or damage to property.

Tank/Gas Line Connection

- 1, Make 2-3 oz. of leak detection solution by mixing one part liquid dishwashing soap with three parts water.
- 2, Make sure the regulator/control knob is in the “OFF” position (Figure 3).
- 3, Apply the leak detection check solution on all “X” locations (Figures 1 and 2).
 - a. If any bubbles appear, remove the LP gas tank and reconnect, making sure the connection is secure.
 - b. If you continue to see bubbles after several attempts, remove the LP gas tank per “Disconnecting LP Gas Tank” section, and contact 1-855-HD-HAMPTON for assistance.
 - c. If no bubbles appear after one minute, turn the regulator/ control knob to the “OFF” position, wipe away solution and proceed.

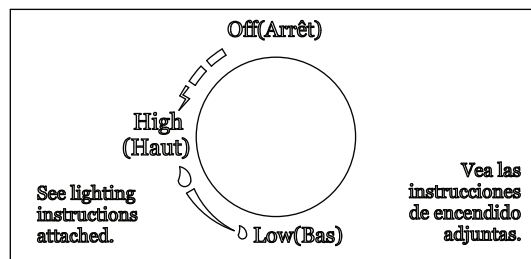


Figure 3

Operating (continued)

LIGHTING



CAUTION: Keep the outdoor gas appliance area clear and free from combustible materials, gasoline and other flammable vapors and liquids.

CAUTION: Do NOT obstruct the flow of combustion and ventilation air.

CAUTION: Check and clean burner/venturi tubes for insects and insect nests. A clogged tube can lead to a fire.

1. Make sure all labels, packaging and protective films have been removed from the outdoor fireplace.
2. Check for obstructions of airflow to the burner. Spiders, insects and webs can clog the burner/venturi tube. A clogged burner tube can lead to a fire.
3. Control knob must be in the "OFF" position (Figure 3).
4. Clear small area of glass rocks away from the igniter cover (Figure 4).
5. Connect the LP gas tank per "Assembling the LP Gas Tank" section.
6. Wearing heat-resistant gloves, position a long lit match or long lit butane lighter near the burner.
7. Turn the control knob to HIGH.
8. After 10 seconds, release and turn the control knob counterclockwise to adjust the flame to the desired height.
9. Remove match/ lighter once the burner is lit.
10. If ignition does not occur in 5 seconds, turn the burner control knob to OFF, wait 5 minutes, fan with a newspaper or magazine, and repeat the lighting procedure.



CAUTION: After lighting, use a fireplace tool and heat-resistant gloves to carefully move the glass rocks back to their proper position, being careful to avoid the flame.

11. After lighting, observe the burner flame. Make sure all burner ports are lit and flame height matches illustration (Figure 5).



CAUTION: If ignition does not occur in 5 seconds, turn the control knob to "OFF", wait 5 minutes, fan with a newspaper or magazine, and repeat lighting procedure.

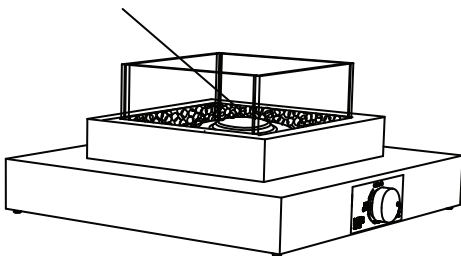


Figure 4

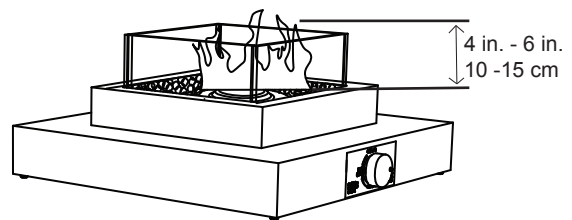


Figure 5

TURNING OFF

1. Turn the control knob to the "OFF" position.
Note: A "poof" sound is normal as the last of the LP gas is burned.
2. Disconnect the LP gas tank per "Disconnecting LP Gas Tank" section.

Maintenance



CAUTION: All cleaning and maintenance should be done when outdoor fireplace is cool and with the fuel supply disconnected.

CAUTION: Do NOT clean any outdoor fireplace part in a self-cleaning oven.

CAUTION: Do NOT enlarge valve orifices or burner ports when cleaning the valves or burners.

Notice:

1. This outdoor fireplace should be thoroughly cleaned and inspected on a regular basis.
2. Abrasive cleaners will damage this product.
3. Never use oven cleaner to clean any part of this outdoor fireplace.

Before each use:

1. Keep the outdoor fireplace area clear and free from any combustible materials, gasoline, and other flammable vapors and liquids.
2. Do NOT obstruct the flow of the combustion of LP gas and the ventilation of air.
3. Keep the ventilation opening(s) of the LP gas tank area free and clear from debris.
4. See below for proper cleaning instructions.
5. Check all gas connections for leaks.
6. Check components for any signs of damage or rust.
7. Check for obstructions of airflow to the burner. Spiders, insects and webs can clog the burner/venturi tube. A clogged burner/venturi tube can lead to a fire.
8. If damage to any component is detected, do NOT operate until repairs are completed.

Care and Cleaning

Cleaning surfaces

1. Wipe surfaces clean with mild dishwashing detergent or baking soda mixed with water.
2. For stubborn stains, use a citrus-based cleaner and a nylon scrubbing brush.
3. Rinse clean with water.
4. Allow to air dry.

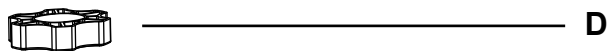
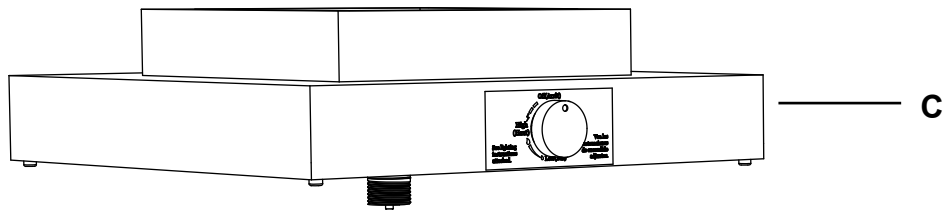
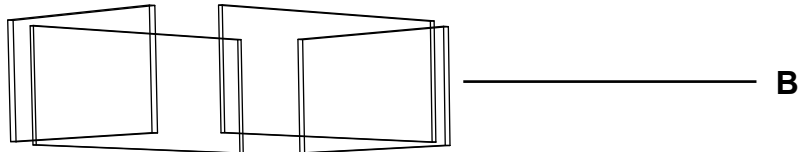
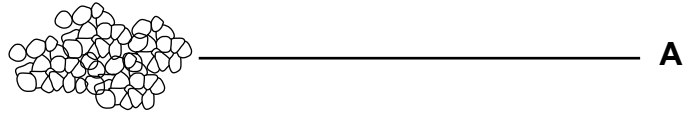
Before storing

1. Turn the control knob to the "OFF" position.
2. Disconnect the LP gas tank per "Disconnecting the LP gas tank" section.
3. Clean all surfaces.
4. Lightly coat the burner with cooking oil to prevent excess rusting.
5. If storing the outdoor fireplace indoors, cover the outdoor fireplace and store in a cool dry location away from children and pets.
6. If storing the outdoor fireplace outdoors, cover the outdoor fireplace with a cover for protection from the weather.

Troubleshooting

PROBLEM	PROBABLE CAUSE	SOLUTION
The burner will not light with a match.	There is no gas flow.	Check if the LP gas tank is empty. A. Replace if empty. B. If the tank is not empty, refer to “There is a sudden drop in gas flow or reduced flame height” problem in this table.
	The LP gas tank is low or empty.	Replace the LP gas tank.
	There is an LP gas leak.	1. Turn the LP gas tank valve to “closed”. 2. Wait 5 minutes for gas to clear. 3. Follow “Check for Leaks” section.
	The coupling nut and regulator are not fully connected.	Turn the coupling nut about one-half to three-quarter additional turn until solid stop. Tighten by hand only- do NOT use tools.
	The gas flow is obstructed.	Clean the burner/venturi tube.
	Spider webs or insect nest are in the venturi.	Clean the burner/venturi tube.
	The burner ports are clogged or blocked.	Clean the burner/venturi tube.
There is a sudden drop in gas flow or reduced flame height.	The LP gas tank is empty.	Replace the LP gas tank.
	The excess flow valve tripped. The safety device may have been activated.	1. Turn the control knob to “OFF”. 2. Wait 30 seconds and light the outdoor fireplace per “Lighting” section. 3. If flames are still too low, reset the overfilling prevention device: a. Turn the control knob “OFF”. b. Remove the LP gas tank. c. Wait one minute. d. Attach the LP gas tank. e. Perform a leak check per “Check for Leaks” section. f. Light the outdoor fireplace per the “Lighting” section.
The flame pattern is irregular and the flame does not run the full burner.	The burner ports are clogged or blocked.	Clean burner ports.
The flame is yellow or orange.	New burner may have residual manufacturing oils.	Burn the outdoor fireplace for 15 minutes and reinspect.
	There are spider webs or insect nest in burner/venturi tube.	Clean the burner/venturi tube.
	There is poor alignment of the valve to the burner/venturi tube.	Ensure the burner/venturi tube is properly engaged with valve.
The flame goes out.	There are high or gusting winds.	Do not use the outdoor fireplace in high winds.
	The LP gas tank is low on gas.	Replace the LP gas tank.
	The excess flow valve has been tripped.	Refer to “There is a sudden drop in gas flow or reduced flame height”.
There is flashback (fire in the venturi/burner tube).	The burner and/or burner/venturi tube is blocked.	Clean the burner and/or burner/venturi tube.
The flame seems to lose heat when burning in cold weather-temperature below 50°F.	Ice has built up on the outside of the LP gas tank because the vaporization process is too slow.	1. Turn off the unit per the “Turning Off” section; 2. Replace the LP gas tank with a spare LP gas tank; 3. Reconnect the LP gas tank per “Installing LP Gas Tank” section; 4. Follow the “Check for Leaks” section; 5. Light the outdoor fireplace per the “Lighting” section.

Service Parts



Part	Description	Quantity
A	Glass Rock	1
B	Side Glass	4
C	Base	1
D	Base Nut	1



Questions, problems, missing parts? Before returning to the store,
call Hampton Bay Customer Service
8 a.m. - 7 p.m., EST, Monday-Friday
9 a.m. - 6 p.m., EST, Saturday

1-855-HD-HAMPTON

HAMPTONBAY.COM

Retain this manual for future use.