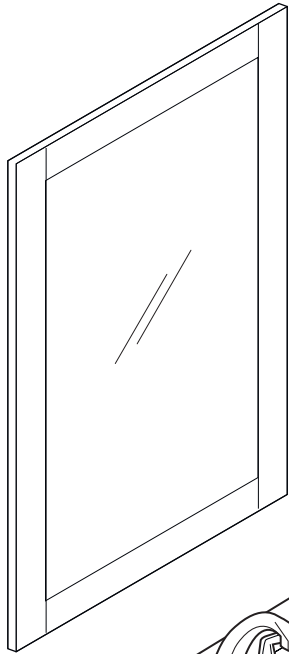
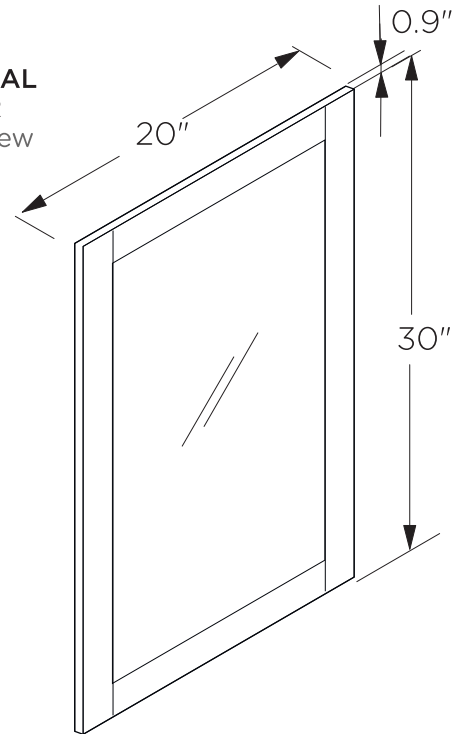




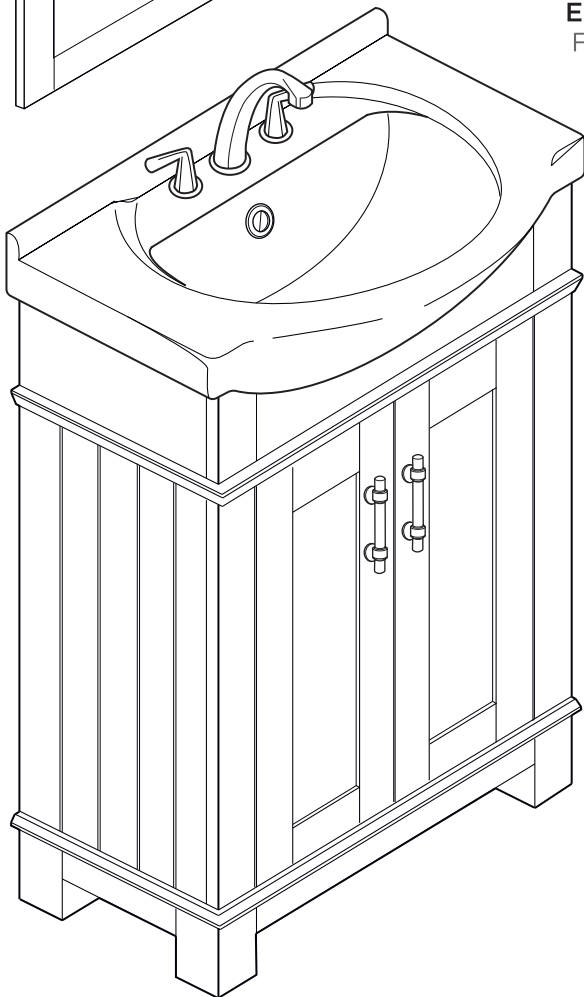
FVNHD0102
HUDSON
INSTALLATION GUIDE



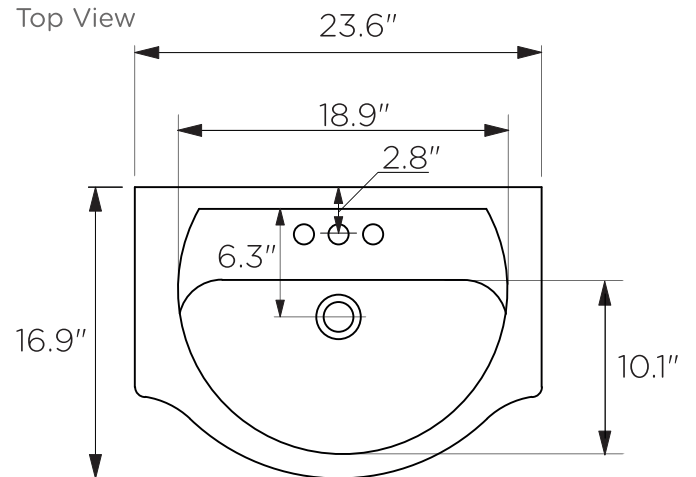
OPTIONAL MIRROR
 Front View



VANITY ENSEMBLE
 Front View



SINK
 Top View



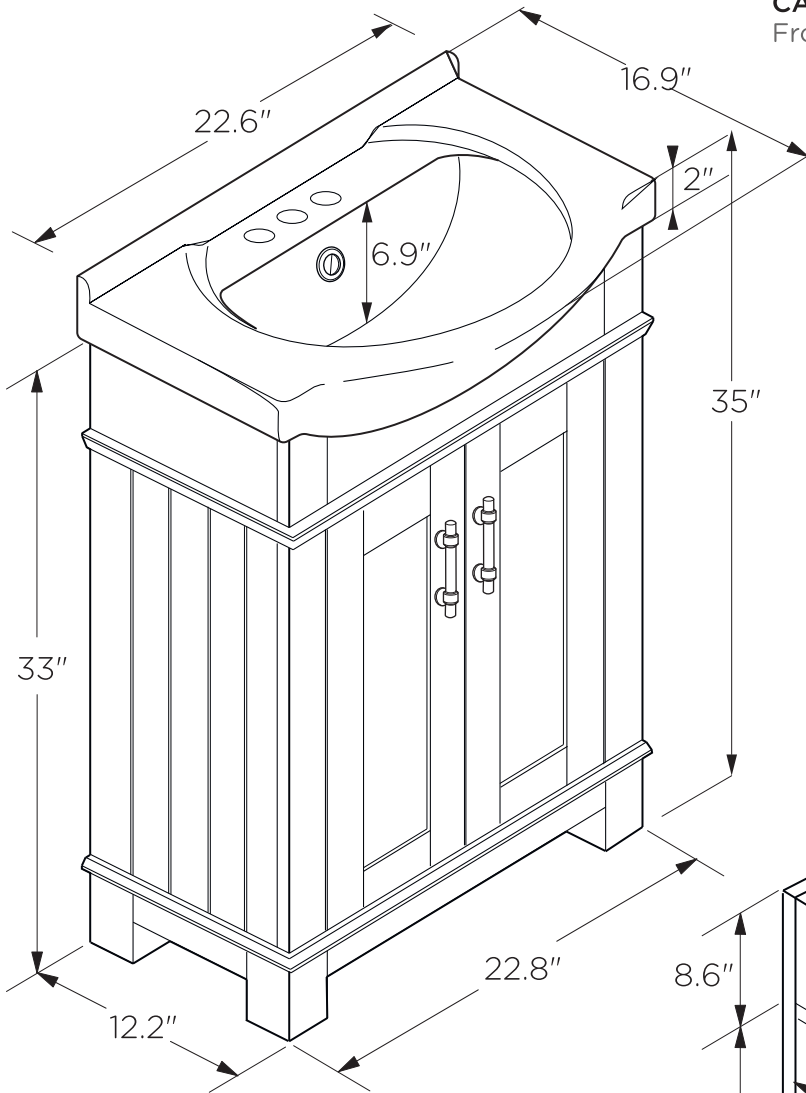
NOTE:
 All dimensions & specifications are approximate and subject to change without notice.



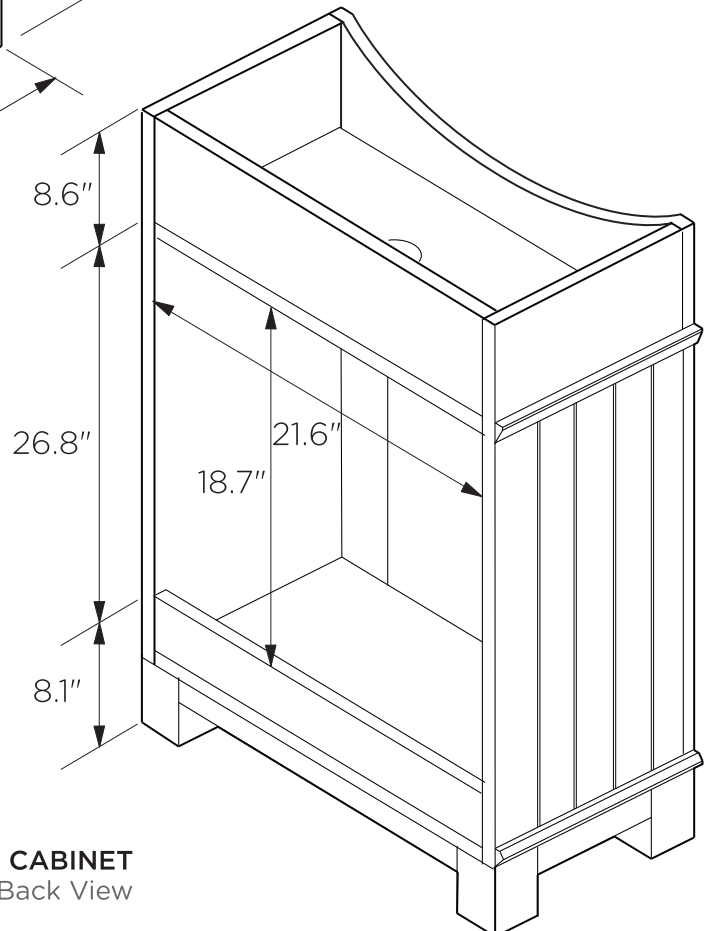
FVNHD0102 HUDSON INSTALLATION GUIDE



CABINET
Front View

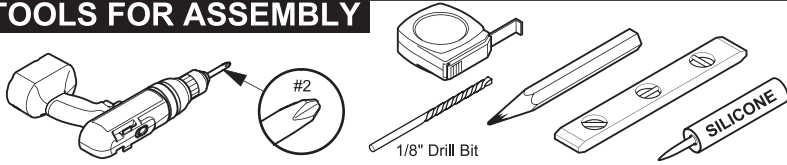


CABINET
Back View

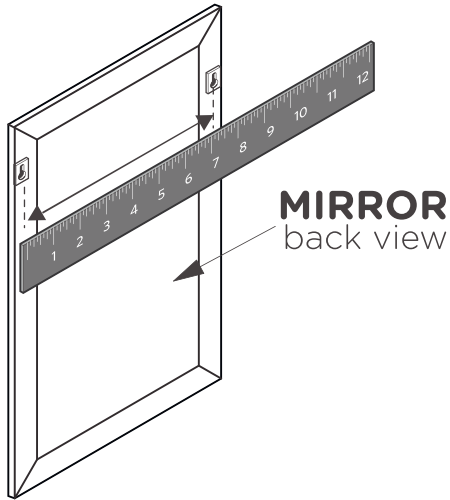


MIRROR INSTALLATION INSTRUCTION

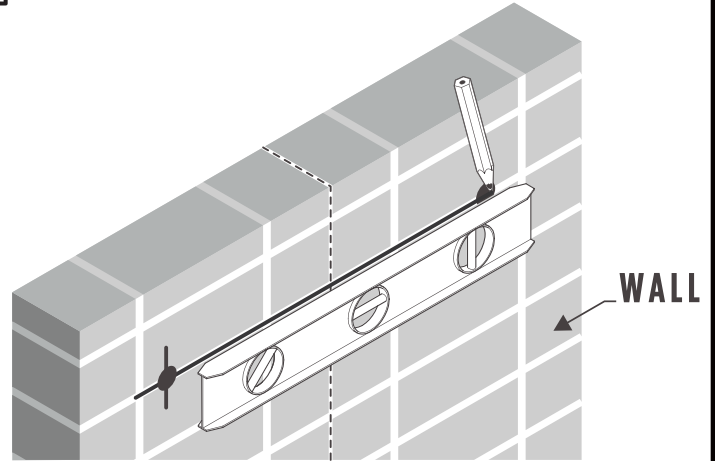
TOOLS FOR ASSEMBLY



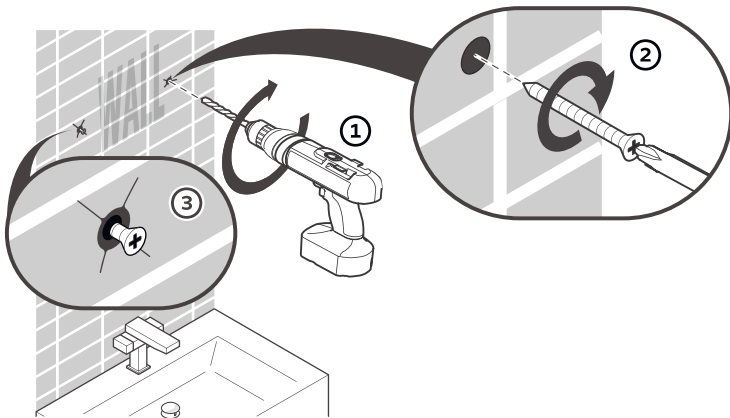
- 1 Measure the distance between the brackets on the back of the mirror



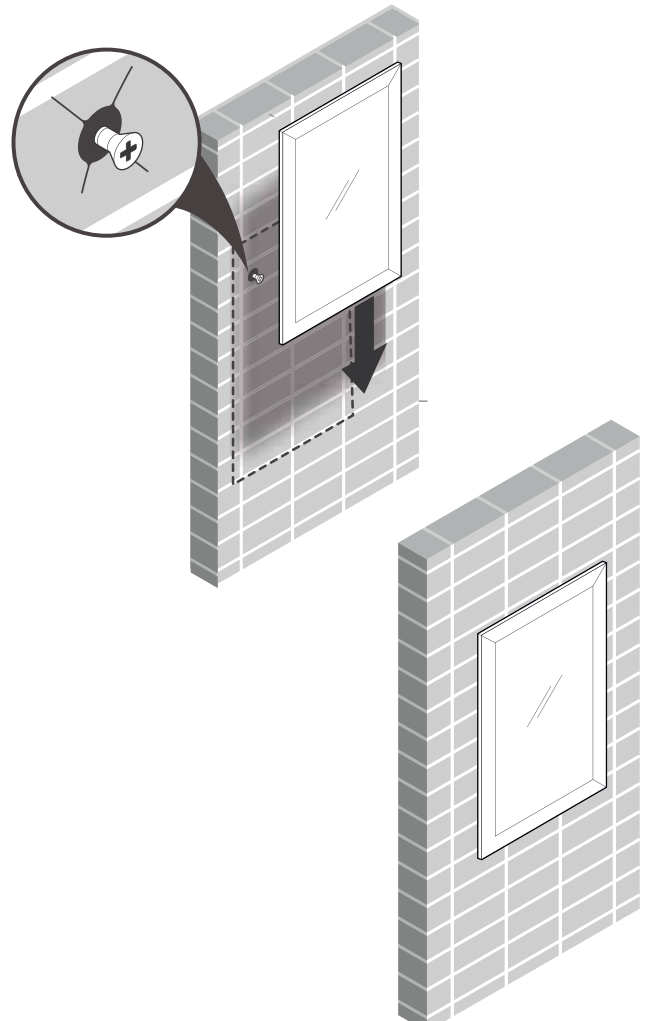
- 2 Mark the measured distance on the wall using a level



- 3 Once position is marked, drill 2 holes and insert anchors if stud is not available



- 4 Hang mirror on the wall



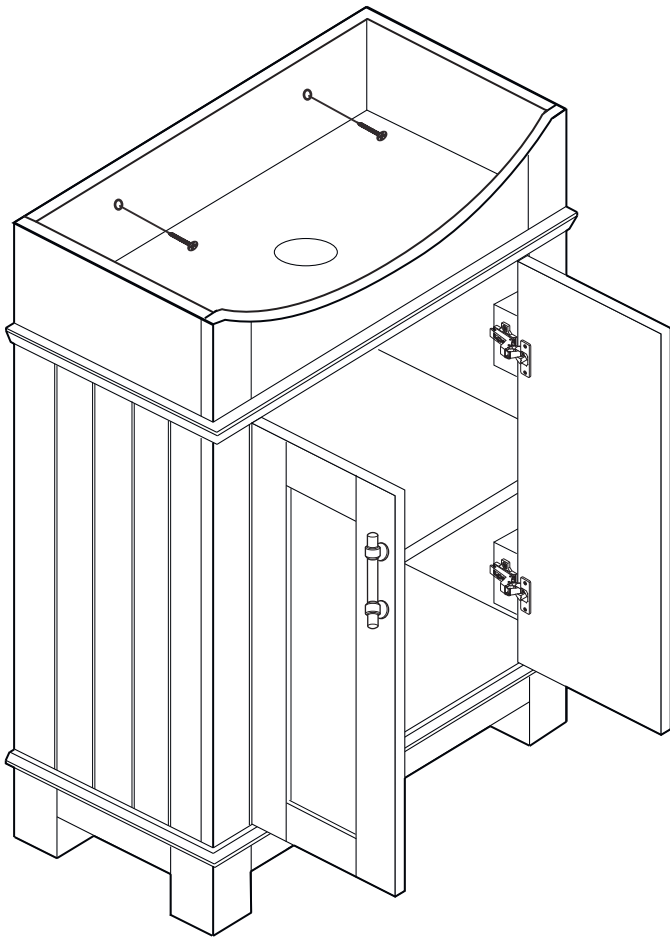
IMPORTANT:

CONSULT AN EXPERT FOR THE PROPER SCREWS/BOLTS TO USE WHEN ATTACHING TO VARIOUS WALL CONSTRUCTIONS. SCREWS PROVIDED **DO NOT ATTACH** TO ALL WALL CONSTRUCTION TYPES.

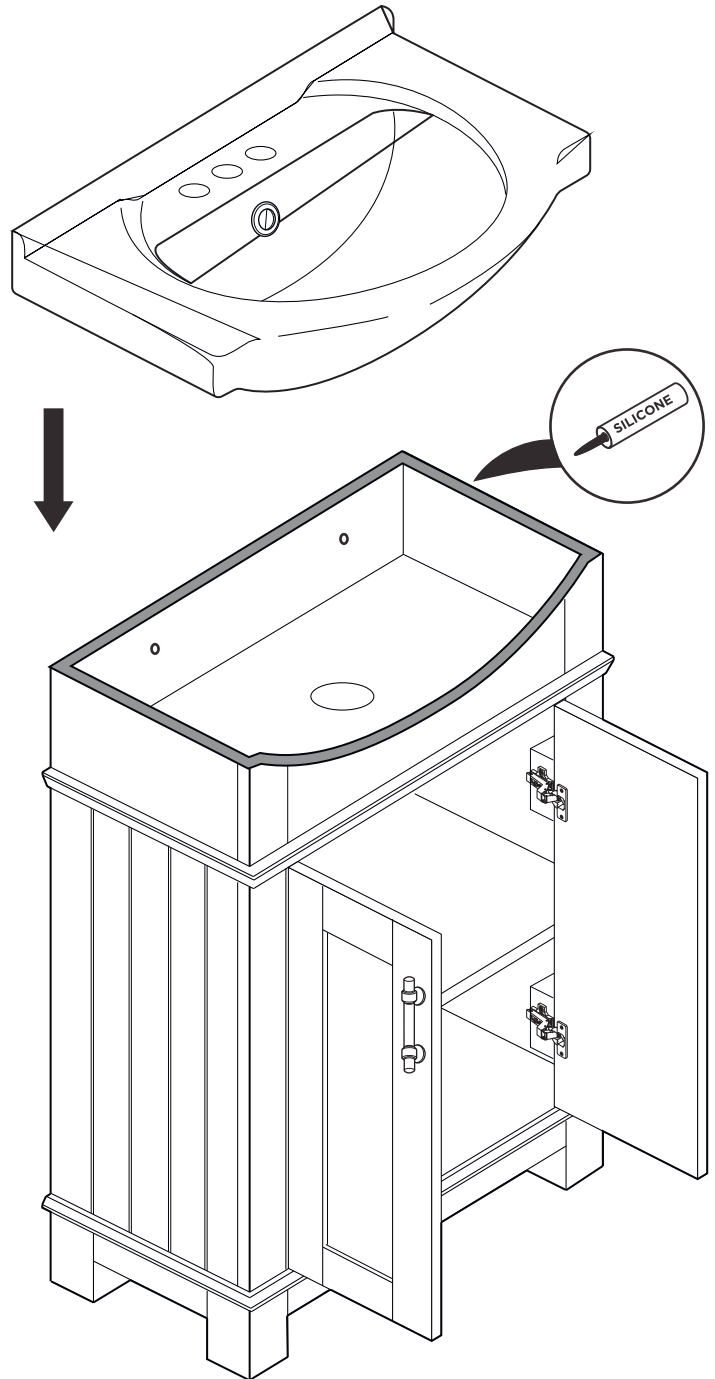
INSTALLATION GUIDE

- 1 Secure cabinet to the wall.

IMPORTANT: Consult an expert for the proper screws/bolts to use when attaching to various wall constructions. Screws provided do not attach to all wall construction types.



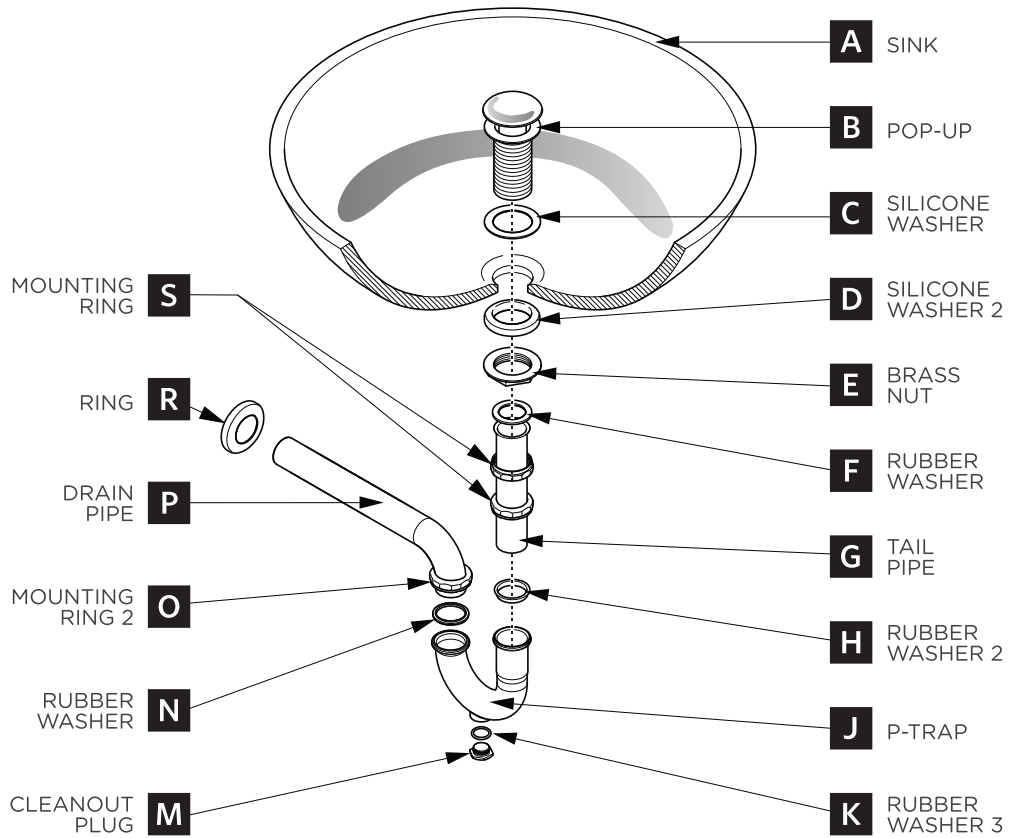
- 2 Apply a bead of silicone on the top of the cabinet and place the sink on top.



P-TRAP & POP-UP

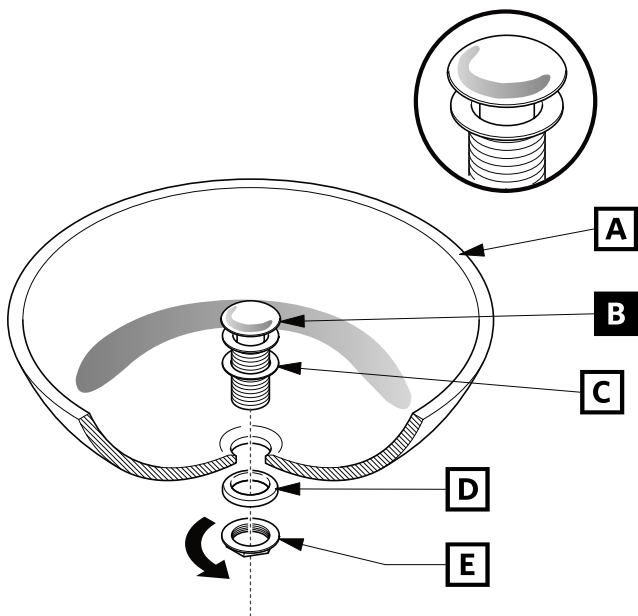
INSTALLATION INSTRUCTIONS

Your item may appear slightly different from the illustration.



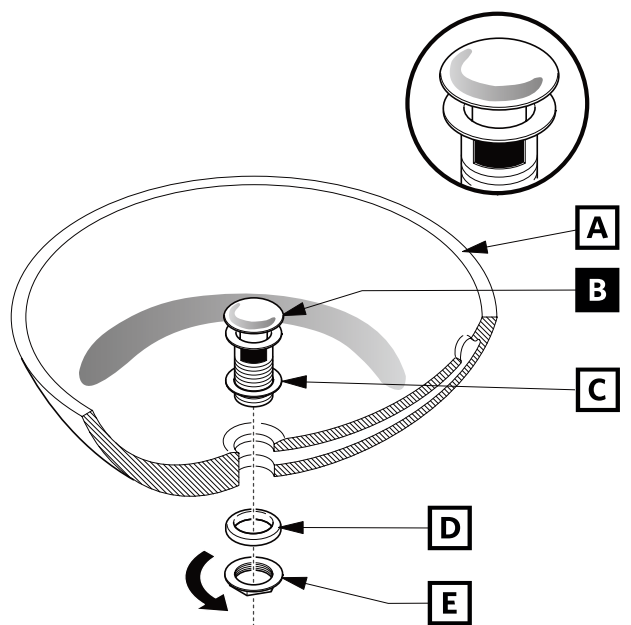
POP-UP INSTALLATION

FOR SINKS WITHOUT OVERFLOW



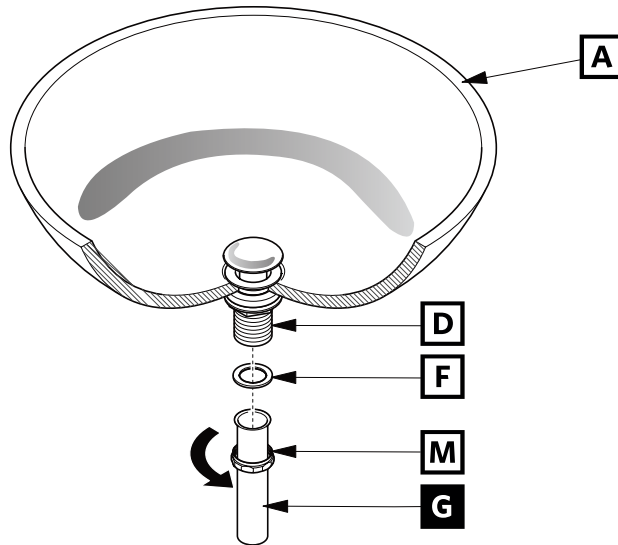
OR

FOR SINKS WITH OVERFLOW



P-TRAP INSTALLATION

1 Install tail pipe (G)



2 Install P-trap (J)

