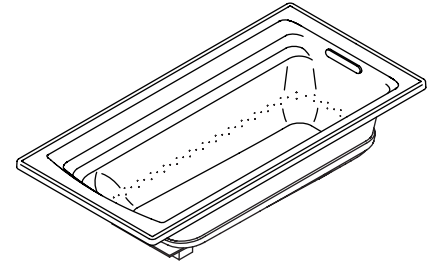


Features

- Acrylic
- 1 hp blower motor with 300 W heater, and electronic user control
- Blower motor is supplied with a grounding-type plug-in cord
- 120 BubbleMassage™ airjets
- Drop-in
- Low threshold height
- Slotted overflow for maximum bathing depth
- Integral lumbar support
- Armrests
- 72" (182.9 cm) x 36" (91.4 cm) x 19" (48.3 cm)

6' (1.8 m) BUBBLEMASSAGE™ BATH WITH AIRJETS K-1124-G



Codes/Standards Applicable

Specified model meets or exceeds the following:

- ANSI Z124.1.2
- IAPMO/UPC IGC 171
- Underwriters Laboratories (UL)

Colors/Finishes

- 0: White
- Other: Refer to Price Book for additional colors/finishes

Accessories:

- 0: White
- CP: Polished Chrome
- Other: Refer to Price Book for additional colors/finishes

Specified Model

Model	Description	Colors/Finishes	
K-1124-G	Drop-in rim style	<input type="checkbox"/> 0	<input type="checkbox"/> Other_____
Required Accessories			
K-7272	Drain – above or through-the-floor installation	<input type="checkbox"/> CP	<input type="checkbox"/> Other_____
Recommended Accessories			
K-1446	Remote blower installation kit		NA
Optional Accessories			
K-9529	Removable bath seat		<input type="checkbox"/> 0

Product Specification

The acrylic bath with airjets shall be 72" (182.9 cm) in length, 36" (91.4 cm) in width, and 19" (48.3 cm) in height. Bath shall have a 1 hp blower motor with 300 W heater and an electronic user control. The blower motor shall have a grounding-type plug-in cord. Bath shall have 120 BubbleMassage airjets. Bath shall have slotted overflow for maximum bathing depth and low threshold height. Bath shall have an integral lumbar support and armrests. The bath with airjets shall be Kohler Model K-1124-G-_____.

ARCHER™

Technical Information

Fixture*:				
Bathing well				
Basin area bottom	51-3/8" (130.5 cm) x 21" (53.3 cm)			
Basin area top	64-1/2" (163.8 cm) x 30-1/2" (77.5 cm)			
Weight	100 lbs (45.4 kg)			
To overflow				
Water depth	15" (38.1 cm)			
Capacity	72 gal (273 L)			
* Approximate measurements for comparison only.				
Drop-in cutout dimensions:				
70-1/2" (179.1 cm) x 34-1/2" (87.6 cm)				
Blower motor:	Heater	V	Hz	A
1 hp	300 W	120	60	5

Required Electrical Service

Dedicated circuit required, protected with Class A Ground-Fault Circuit-Interrupter (GFCI):	
Blower motor:	120 V, 15 A, 60 Hz
Blower motor is supplied with a 24" (61 cm) grounding-type plug-in cord.	

Installation Notes

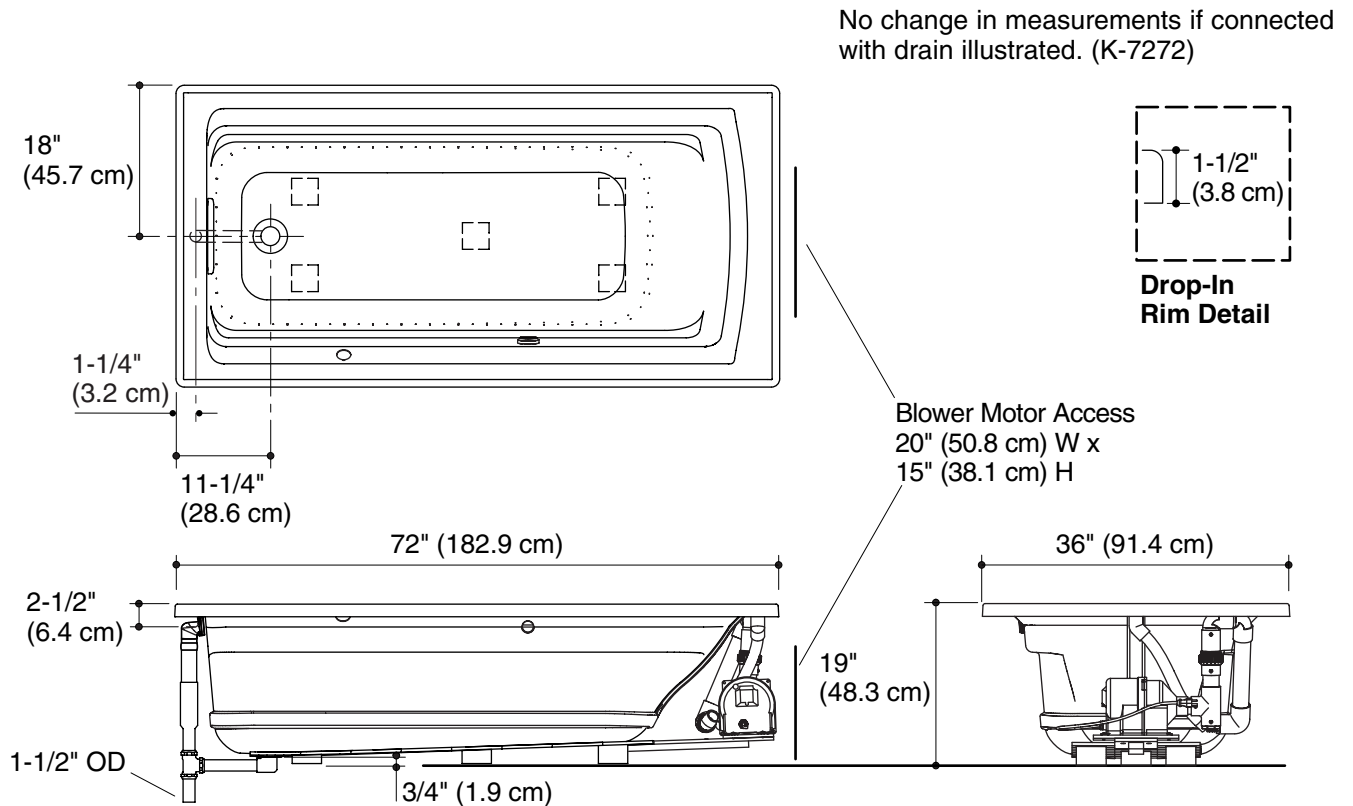
Install this product according to the installation guide.

Floor support under this product must provide for a minimum of 41 lbs/square foot (197 kg/square meter) loading.

The hot water supply should be 70% of the capacity of the bath or greater. Installations will vary.

A blower motor access panel is required.

This product is designed for a drop-in installation only. It is not suited for use in a three-wall alcove with an overhead shower.



Product Diagram

ARCHER™ 6' (1.8 m) BUBBLEMASSAGE™ BATH WITH AIRJETS

Page 2 of 2
1071368-4-B

THE BOLD LOOK
OF **KOHLER**®