

PRIVACY FENCE INSTALLATION INSTRUCTIONS

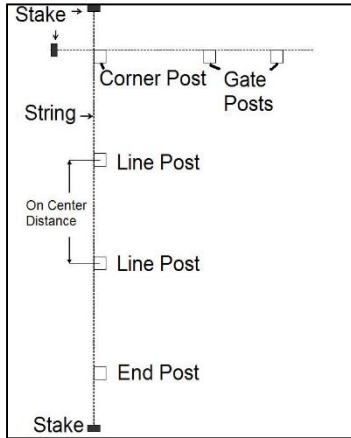


TOOLS REQUIRED

- Post Hole digger or Power Auger (min. 10" diameter auger required)
- Wheelbarrow (to mix and transport concrete)
- String Line
- Tape Measure
- String Level
- Rubber Mallet
- Level (36" or longer)
- Safety Glasses
- Shovel
- Gloves
- Hoe
- No. 2 Phillips Head Screwdriver

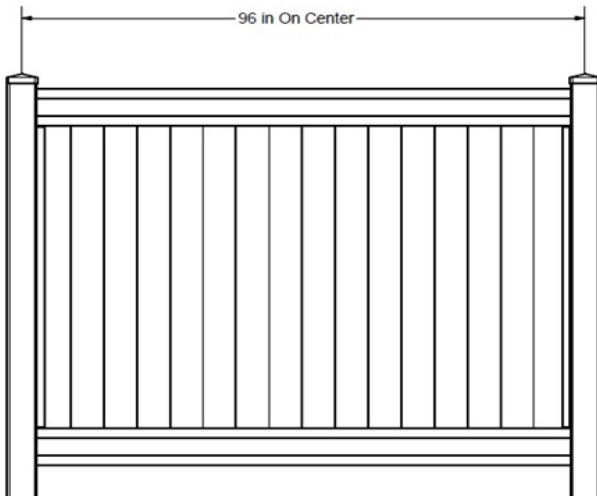
FENCE LAYOUT

Take time to plan the overall layout of fence; taking into account soil conditions, slope, property lines and utility locations. Then, begin by staking out the fence. Locate the fence corners, gate posts and end posts. After making sure the corners are square, tie string tightly between each stake to establish your fence line. Measure and locate the position of each line post using the on center spacing distances shown in the table below. Gate openings between posts should be 1-1/2" wider than the gate. Drive stakes at each post location without disturbing your string line.



ON CENTER DIMENSIONS:

Post should be set at 96" On Center or 91" between posts. ("On Center" means from center of one post to center of next post):

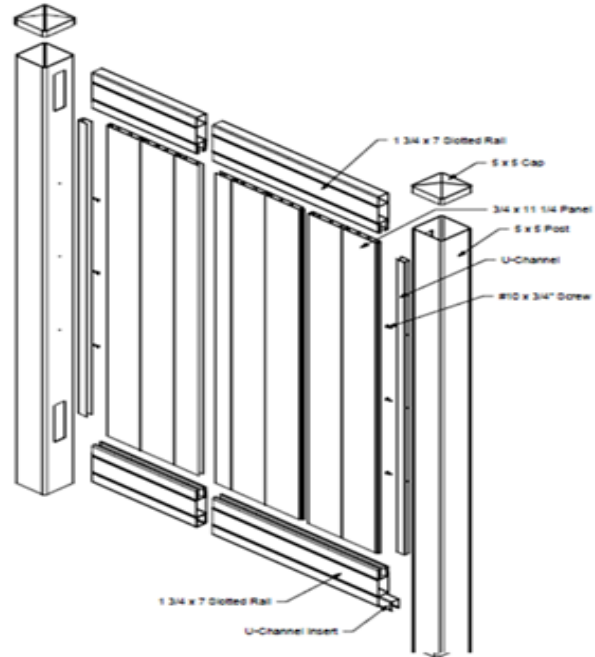
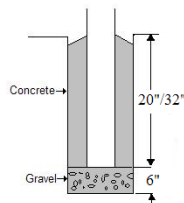


POST POSITIONING

After staking out post locations, you can begin digging the holes and setting your posts. Remember to check local codes prior to digging (height restrictions etc.).

DIG OR AUGER THE POST HOLES TO THE PROPER DEPTH AND WIDTH

The minimum recommended hole depth is 26" for an 8' Posts and 38" for a 9' Post. Before ordering posts, understand that the hole must be deep enough so that the concrete will start below the frost line. Make certain that the diameter of the hole is 10" minimum for the standard 5 x 5 vinyl post.



SET POSTS

Pour 2" to 4" of gravel into the bottom of hole. Next, prepare the wet cement. Note: Make sure to follow instructions on concrete mix bag for proper mixing. Set the post in the hole then pour the concrete in the hole, about 6" at a time, and pack periodically to eliminate air pockets. Leave enough space from top of concrete to the top of the hole to allow sod to grow around the post. Set the proper post height and plum and level each and every post. A mowing strip can be formed with concrete mix, rock, or similar products to protect the base of the post against damage. Concrete should be allowed to set for 24-48 hours.

INSERT BOTTOM RAIL

Insert one end of the notched rail (with the metal insert inside) into the bottom hole in one of the posts. Slide the rail far enough into the first pole hole until the opposite end of the rail clears the edge of the second post. Slide the rail into the second post bottom hole until the notches on the end of the rail fully engage with the inside wall of the second post.

INSTALL VINYL U-CHANNELS

Place one u-channel on the top edge of the bottom rail keeping the open channel of the u-channel in line with the open pocket in the bottom rail. Secure the u-channel section to the side of the post with three No. 10 x 3/4" long screws as shown in the exploded view drawing of the fence section. Repeat this same installation procedure with the other u-channel on the second post.

INSERT PANELS

Working left to right, place one panel into the bottom rail and slide it next to the post. Insert a second panel into the bottom rail and slide it up to the first panel. Repeat for remaining panels.

INSERT TOP RAIL

Making certain all panels are locked together and slide top rail over last panel at an angle, and into the first post. Lower the rail onto the remaining panels and slide the rail back into the opposite post.

GLUE CAPS

Glue the caps onto the posts using a PVC glue which is UV rated and classified as a hot glue.

FINISH

Clean off all cement splatters when finished with a mild detergent and hose down with clean tap water.