

Universal Radio Receiver Conversion Kit

with Programming Instructions for use with all brands of garage door openers

Do not install this system unless all garage door opener safety features are working properly. Garage door openers manufactured before 1982 should not be modified or repaired because they do not include all available safety features.

READ ALL INSTRUCTIONS BEFORE BEGINNING INSTALLATION

- WARNING** Moving door can cause serious injury or death. During programming, the Door Opener could begin to run. Stay away from moving door and disconnect it from Opener by pulling Emergency Release Cord.
- Keep people clear of opening while door is moving.
- Do not allow children to play with remote control of door opener.
- Do not operate a door that is jammed or has a broken spring.

If safety reverse does not work properly:

- Close door / disconnect opener by pulling Emergency Release Cord.
- Do Not use remote control or door opener.
- Refer to Door and Door Opener Owner's Manuals or Instructions.

Electrical shock can cause serious injury or death.

- Power cord must be unplugged before attaching any wires.
- Be sure wire ends do not touch each other or other terminals.

Customer Information

Thank you for purchasing a Universal Radio Receiver Conversion Kit. With a Rolling Code system you can be confident that you're equipping your garage door opener with the best possible defense against the threat of code grabbers.

We've broken the installation process into easy-to-follow steps. If at any time during the installation process you have questions, please call the Customer Service department at 1-800-354-3643.

If you would like to have an Authorized Dealer install your kit, you can call the dealer referral number at 1-800-654-3643.

Changes or modifications not expressly approved by the manufacturer could void the user's warranty.

Step 1 Getting Started FIGURE 1

Pre-Installation

The installation process for your Universal Radio Receiver Conversion Kit will vary slightly, depending upon your opener's radio system.

WARNING

Power cord must be unplugged before attaching any wires. Be sure wire ends do not touch each other or other terminals.

NOTE

Drive staples just tight enough to hold the wire. Staples driven too tightly can short circuit the wiring.

If your opener is equipped with a Wireless Keypad or you use other access devices such as a mini-remote control, the batteries must be removed from these devices as well.

WHICH DO YOU HAVE, AN INTERNAL OR EXTERNAL RADIO?

A Unplug, or open the breaker that supplies power to the garage door opener.

B For openers with internal radios.

- REMOVE batteries from all old remote controls.

C For openers with external radios.

- Disconnect the existing external radio receiver from the garage door opener.

Step 2 Mounting the Universal Receiver FIGURE 2

Position the receiver on the ceiling above and in front of the opener (between the opener and the garage door) so that the receiver is at least 2 feet from the opener.

B Mount Receiver using two pan head screws.

NOTE

Do not attach the Receiver to the garage door opener's mounting hardware. Attaching the Receiver to the mounting bracket or other metal surfaces could cause interference or grounding.

NOTE

Do not remove the circuit board.

Step 3 Connecting Receiver to Door Opener FIGURE 3

A Cut wire, enough to run from the garage door opener terminal strip to the Receiver.

- Remove 1/2" of insulation from the garage door opener terminal strip to the Receiver.
- The location of the terminal strip varies from model to model. It may be located on the back, front or sides of the opener or underneath the light lens. If you cannot locate the terminal strip, please refer to the Owner's Manual of your opener or contact the manufacturer of the opener.

B Strip and route wires.

- Remove 1/2" of insulation from the garage door opener end of the wire.
- Remove 1/4" of insulation from the Receiver end of the wire.
- Route wire from Receiver to garage door opener terminal strip making sure the wire is clear of all moving parts of the door and door hardware.
- Staple wire in place.

NOTE

If you do not perform Steps C and D quickly enough, the LED will begin flashing rapidly. Begin programming again at Step 8.

NOTE

If the Receiver does not respond properly at any time during programming, check the wiring and connections between the Receiver and transformer.

G Repeat Steps 5A through 5G for each Transmitter, Wireless Keypad or other access device to be learned.

NOTE

Drive staples just tight enough to hold the wire. Staples driven too tightly can short circuit the wiring.

C Wire the receiver.

- Connect the STRIPED Wire to "WALLBUTTON" terminal on the Receiver.
- Connect the WHITE Wire to "COMMON" terminal on the Receiver. Do not tighten screw yet. Another wire will be added later.

D Wire the garage door opener.

- Follow existing wires from Wall Button to terminal strip on the door opener.
- Connect the WHITE Wire to one of the Wall Button terminals.
- Connect the STRIPED Wire to the other Wall Button terminal.

NOTE

If door opener does not respond properly, check wiring and connections between Receiver and Opener.

E Press Transmitter button again.

- Door will stop moving.
- Remove old battery and install new battery of the same type in same position.
- Press the halves of the transmitter together until it snaps closed.

F Repeat Steps 5A through 5G for each Transmitter, Wireless Keypad or other access device to be learned.

Step 4 Connecting Receiver to Transformer FIGURE 3

CAUTION

Be sure wire ends do not touch each other or other terminals.

A Cut wire, enough to run from Receiver to transformer.

- Remove 1/2" of insulation from the transformer end of the wire.
- Remove 1/4" of insulation from the Receiver end of the wire.
- Route wire from Receiver to transformer, making sure wire is clear of all moving parts of the door and door hardware.
- Staple wire in place.

NOTE

Drive staples just tight enough to hold the wire. Staples driven too tightly can short circuit the wiring.

NOTE

It does not matter which wire is connected to which terminal.

E Connect to power source.

- Plug in the garage door opener.
- Plug in the transformer.

NOTE

For additional security you MUST now DISABLE THE OLD RADIO SYSTEM.

A Throw away all old remote controls, wireless keypad and other access devices.

- Make sure batteries have been removed.

B For garage door openers with internal radios.

- Cut off antenna.

C During programming, the Door Opener could begin to run. Stay away from moving Door and its parts. To keep Door from moving, close Door using the wall button and disconnect it from Opener by pulling Emergency Release Cord (see Owner's Manual).

A Locate Learn Code Button and Learn Code Indicator LED on the side of receiver.

B Press and release Learn Code Button.

- Indicator LED will blink about 2 times per second.

C Press transmitter button once within 30 seconds.

- Indicator LED stays on.

NOTE

It is essential that you also change the code settings in case someone may have copied your code.

Step 5 Programming the Receiver FIGURE 4

A Locate Learn Code Button and Learn Code Indicator LED on the side of receiver.

B Press and release Learn Code Button.

- Indicator LED will blink about 2 times per second.

C Press transmitter button once within 30 seconds.

- Indicator LED stays on.

NOTE

It is essential that you also change the code settings in case someone may have copied your code.

A Locate Learn Code Button and Learn Code Indicator LED on the side of receiver.

B Press and release Learn Code Button.

- Indicator LED will blink about 2 times per second.

C Press transmitter button once within 30 seconds.

- Indicator LED stays on.

NOTE

It is essential that you also change the code settings in case someone may have copied your code.

A Locate Learn Code Button and Learn Code Indicator LED on the side of receiver.

B Press and release Learn Code Button.

- Indicator LED will blink about 2 times per second.

C Press transmitter button once within 30 seconds.

- Indicator LED stays on.

NOTE

It is essential that you also change the code settings in case someone may have copied your code.

Step 6 Connecting Receiver to Transformer FIGURE 6

A Cut wire, enough to run from Receiver to transformer.

- Remove 1/2" of insulation from the transformer end of the wire.
- Remove 1/4" of insulation from the Receiver end of the wire.
- Route wire from Receiver to transformer, making sure wire is clear of all moving parts of the door and door hardware.
- Staple wire in place.

NOTE

Drive staples just tight enough to hold the wire. Staples driven too tightly can short circuit the wiring.

NOTE

It does not matter which wire is connected to which terminal.

E Connect to power source.

- Plug in the garage door opener.
- Plug in the transformer.

NOTE

For additional security you MUST now DISABLE THE OLD RADIO SYSTEM.

A Throw away all old remote controls, wireless keypad and other access devices.

- Make sure batteries have been removed.

B For garage door openers with internal radios.

- Cut off antenna.

C During programming, the Door Opener could begin to run. Stay away from moving Door and its parts. To keep Door from moving, close Door using the wall button and disconnect it from Opener by pulling Emergency Release Cord (see Owner's Manual).

A Locate Learn Code Button and Learn Code Indicator LED on the side of receiver.

B Press and release Learn Code Button.

- Indicator LED will blink about 2 times per second.

C Press transmitter button once within 30 seconds.

- Indicator LED stays on.

NOTE

It is essential that you also change the code settings in case someone may have copied your code.

Step 7 Disabling the Old Radio System FIGURE 5

A Locate Learn Code Button and Learn Code Indicator LED on the side of receiver.

B Press and release Learn Code Button.

- Indicator LED will blink about 2 times per second.

C Press transmitter button once within 30 seconds.

- Indicator LED stays on.

NOTE

It is essential that you also change the code settings in case someone may have copied your code.

A Locate Learn Code Button and Learn Code Indicator LED on the side of receiver.

B Press and release Learn Code Button.

- Indicator LED will blink about 2 times per second.

C Press transmitter button once within 30 seconds.

- Indicator LED stays on.

NOTE

It is essential that you also change the code settings in case someone may have copied your code.

A Locate Learn Code Button and Learn Code Indicator LED on the side of receiver.

B Press and release Learn Code Button.

- Indicator LED will blink about 2 times per second.

C Press transmitter button once within 30 seconds.

- Indicator LED stays on.

NOTE

It is essential that you also change the code settings in case someone may have copied your code.

Step 8 Erasing Receiver Memory FIGURE 8

A Cut wire, enough to run from Receiver to transformer.

- Remove 1/2" of insulation from the transformer end of the wire.
- Remove 1/4" of insulation from the Receiver end of the wire.
- Route wire from Receiver to transformer, making sure wire is clear of all moving parts of the door and door hardware.
- Staple wire in place.

NOTE

Drive staples just tight enough to hold the wire. Staples driven too tightly can short circuit the wiring.

NOTE

It does not matter which wire is connected to which terminal.

E Connect to power source.

- Plug in the garage door opener.
- Plug in the transformer.

NOTE

For additional security you MUST now DISABLE THE OLD RADIO SYSTEM.

A Throw away all old remote controls, wireless keypad and other access devices.

- Make sure batteries have been removed.

B For garage door openers with internal radios.

- Cut off antenna.

C During programming, the Door Opener could begin to run. Stay away from moving Door and its parts. To keep Door from moving, close Door using the wall button and disconnect it from Opener by pulling Emergency Release Cord (see Owner's Manual).

A Locate Learn Code Button and Learn Code Indicator LED on the side of receiver.

B Press and release Learn Code Button.

- Indicator LED will blink about 2 times per second.

C Press transmitter button once within 30 seconds.

- Indicator LED stays on.

NOTE

It is essential that you also change the code settings in case someone may have copied your code.

Step 9 Battery / Visor Clip Installation FIGURE 6

A Point Transmitter toward opener and press button.

- Door moves.
- Press Transmitter button again.
- Door will stop moving.

B Reprogram Receiver with remaining Transmitters.

- Follow Step 5.

C Press Transmitter button again.

- Door will move in opposite direction. The door will stop automatically at the fully open and fully closed positions.

A Point Transmitter toward opener and press button.

- Door moves.
- Press Transmitter button again.
- Door will stop moving.

B Reprogram Receiver with remaining Transmitters.

- Follow Step 5.

C Press Transmitter button again.

- Door will move in opposite direction. The door will stop automatically at the fully open and fully closed positions.

NOTE

It is essential that you also change the code settings in case someone may have copied your code.

Step 9 Battery / Visor Clip Installation FIGURE 6

A Point Transmitter toward opener and press button.

- Door moves.
- Press Transmitter button again.
- Door will stop moving.

B Reprogram Receiver with remaining Transmitters.

- Follow Step 5.

C Press Transmitter button again.

- Door will move in opposite direction. The door will stop automatically at the fully open and fully closed positions.

NOTE

It is essential that you also change the code settings in case someone may have copied your code.

A Point Transmitter toward opener and press button.

- Door moves.
- Press Transmitter button again.
- Door will stop moving.

B Reprogram Receiver with remaining Transmitters.

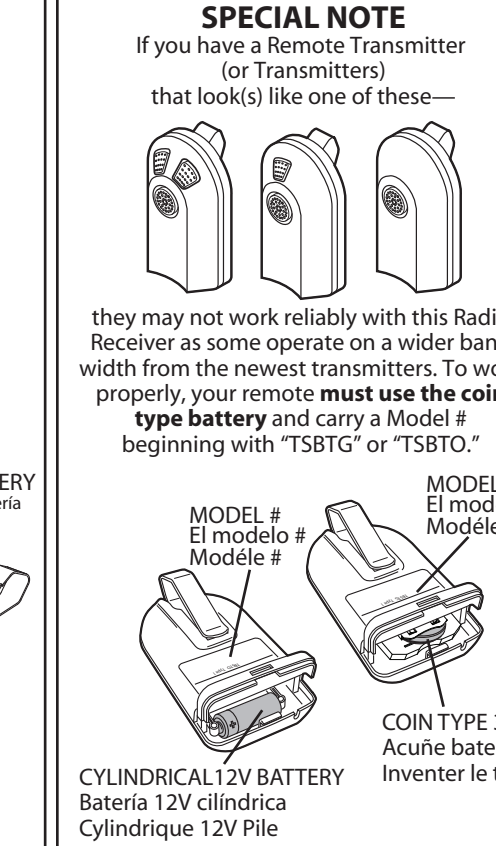
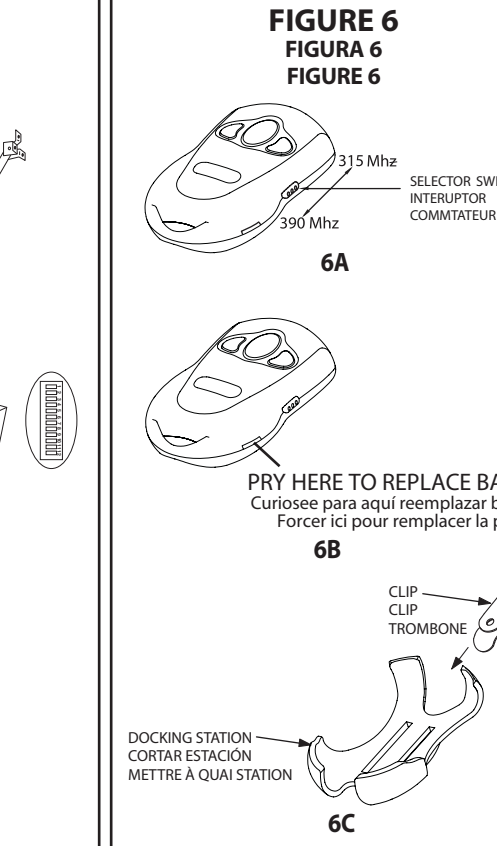
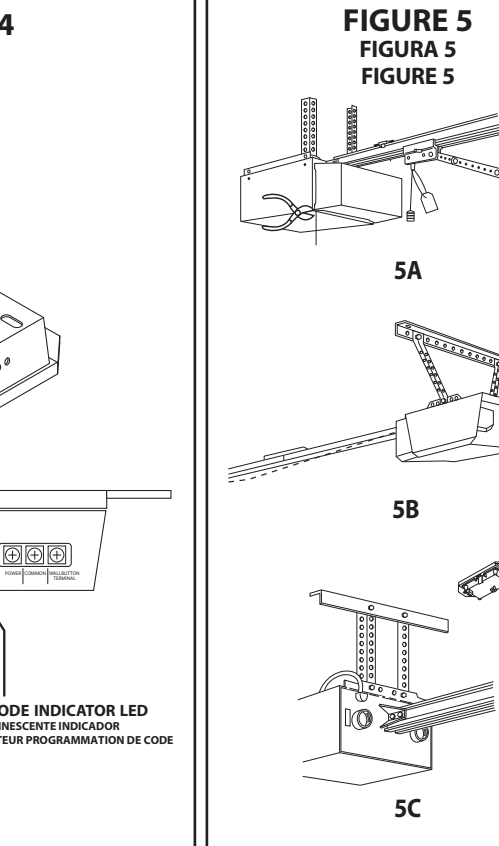
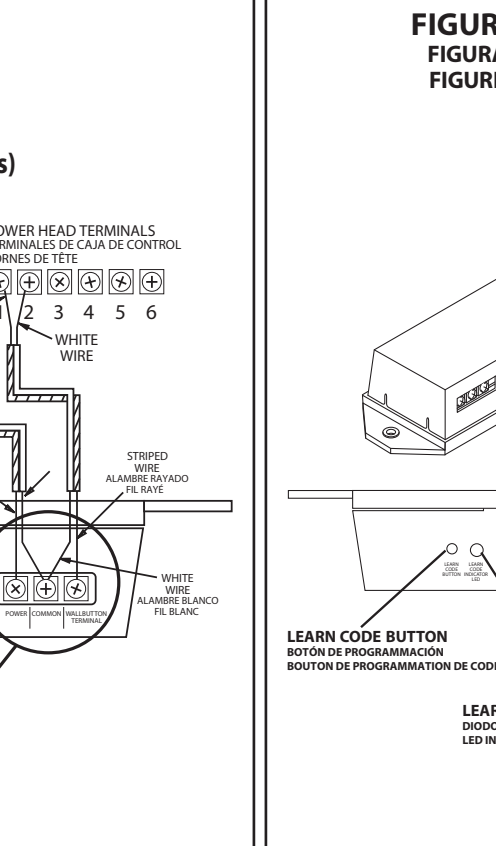
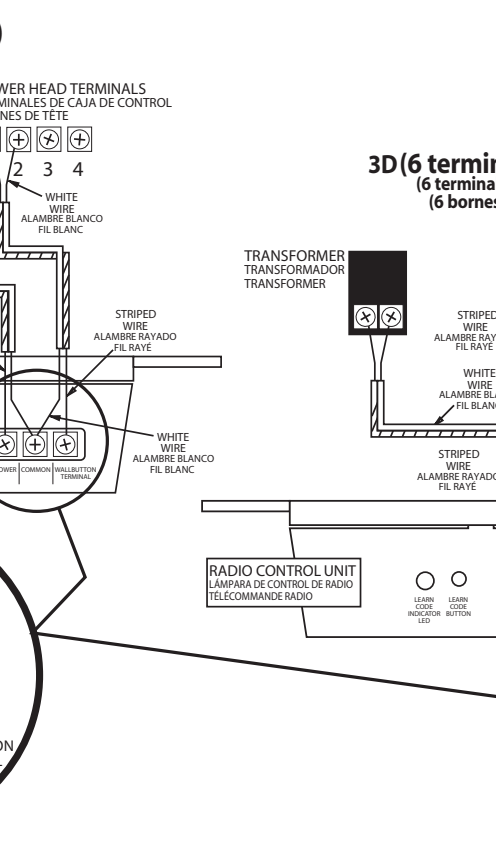
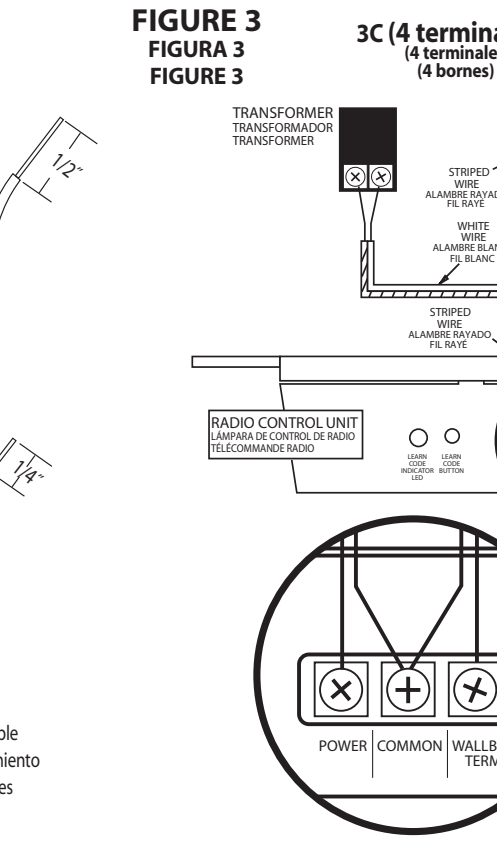
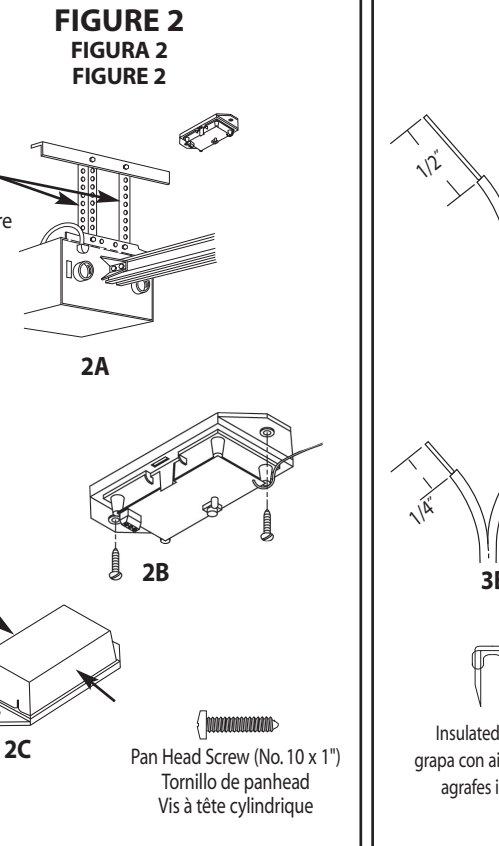
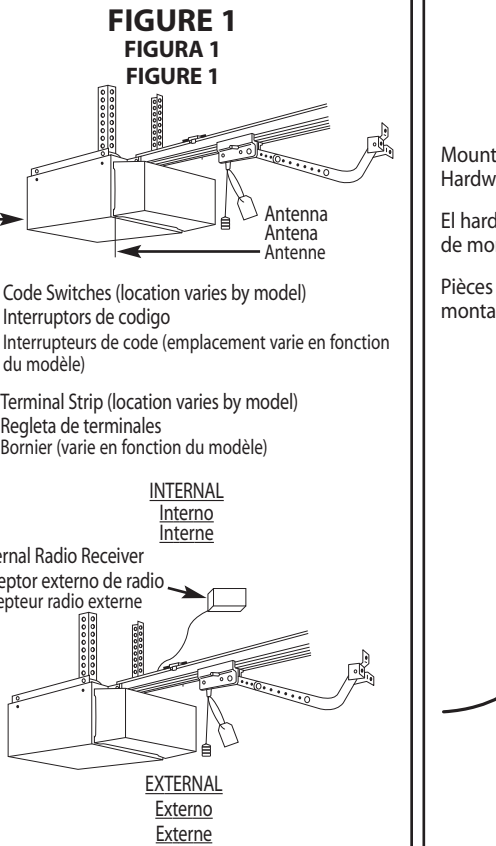
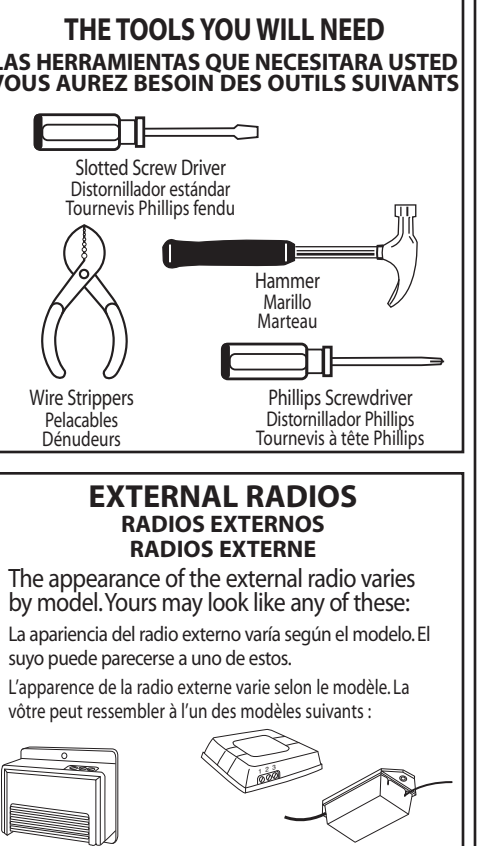
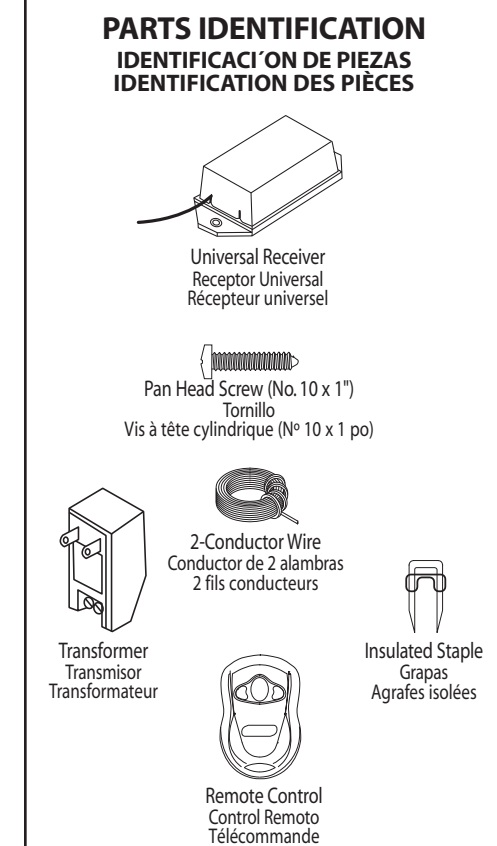
- Follow Step 5.

C Press Transmitter button again.

- Door will move in opposite direction. The door will stop automatically at the fully open and fully closed positions.

NOTE

It is essential that you also change the code settings in case someone may have copied your code.



NOTA ESPECIAL

Si usted tiene a su disposición un receptor remoto (o los transmisores) que miran como las miradas) que usan un tipo de pila de tipo 3V. No se puede trabajar seguramente con este receptor de radio como algn otro tipo de pila. Por favor, use un receptor con un tipo de pila de tipo 3V. No se puede trabajar seguramente con este receptor de radio como algn otro tipo de pila. Por favor, use un receptor con un tipo de pila de tipo 3V.

IF YOU HAVE ANY PROBLEMS OR QUESTIONS PLEASE CALL CUSTOMER SERVICE AT 1-800-354-3643.

SAVE THESE INSTRUCTIONS

SI USTED TUVIERA ALGUN PROBLEMA O PREGUNTA POR FAVOR LLAME AL DEPARTAMENTO DE SERVICIO AL CLIENTE AL No. 1-800-354-3643.

VEUILLEZ ADRESSER VOS PROBLEMES OU QUESTIONS AU SERVICE CLIENTELE 1-800-354-3643.

CONSERVER CES INSTRUCTIONS

Equipo de Conversión de Radio-Receptor Universal

Con instrucciones de programación para uso con todas las marcas de abridores de puerta

Paso 1 Empazando. FIGURA 1. Coloque el receptor arriba en el cielo raro y en frente del abridor (entre el abridor y la puerta del garaje) de manera que el receptor esté por lo menos a 2 pies del abridor.

Paso 2 Montaje del receptor Universal. FIGURA 2. Durante la programación el abridor de puerta puede empezar a funcionar. Manténgase alejado de la puerta en movimiento y de las piezas de la misma. Para impedir que la puerta se mueva, cierre la puerta utilizando el botón de pared y desconecte el abridor estrando el cordón de desenganche de emergencia (vea el Manual del propietario).

Paso 3 Conectando el abridor de la puerta. FIGURA 3. Corte el alambre suficientemente largo para alcanzar desde la regla de terminales del abridor de puertas de garaje al receptor.

Paso 4 Conectando el receptor al transformador. FIGURES 4 y 5. Asegure de que los alambres no se toquen entre sí o toquen a otros terminales.

Paso 5 Programando el receptor. FIGURA 4. Durante la programación el abridor de puerta puede empezar a funcionar. Manténgase alejado de la puerta en movimiento y de las piezas de la misma. Para impedir que la puerta se mueva, cierre la puerta utilizando el botón de pared y desconecte el abridor estrando el cordón de desenganche de emergencia (vea el Manual del propietario).

Paso 6 Funcionamiento del transmisor. FIGURA 6. Oprima otra vez el botón del transmisor.

Paso 7 Invaldación del sistema de radio antiguo. FIGURA 5. Desheche todos los controles remotos antiguos, teclados numéricos y otros dispositivos de acceso. Asegure de que se quitaron las baterías.

Paso 8 Borrando la memoria del receptor. FIGURA 8. Durante la programación la puerta del garaje puede empezar a funcionar. Manténgase alejado de la puerta en movimiento y de las piezas de la misma. Para impedir que la puerta se mueva, cierre la puerta utilizando el botón de pared y desconecte el abridor estrando el cordón de desenganche de emergencia (vea el Manual del propietario).

Paso 9 Instalación de la batería / sujetador de visera. FIGURA 6. Para el cambio de batería. Suavemente haga palanca atrás del transmisor. Tome el cuidado al abrir. El interruptor de selector de frecuencia es contenido lugar por el caso.

Paso 10 Instalación de la batería / sujetador de visera. FIGURA 6. Para el cambio de batería. Suavemente haga palanca atrás del transmisor. Tome el cuidado al abrir. El interruptor de selector de frecuencia es contenido lugar por el caso.

Paso 11 Instalación de la batería / sujetador de visera. FIGURA 6. Para el cambio de batería. Suavemente haga palanca atrás del transmisor. Tome el cuidado al abrir. El interruptor de selector de frecuencia es contenido lugar por el caso.

ADVERTENCIA

La puerta se moverá en dirección opuesta. La puerta se parará automáticamente en la posición totalmente abierta y totalmente cerrada.

ADVERTENCIA

Al abrirla el abridor de puertas puede causar lesiones graves o la muerte.

ADVERTENCIA

Al abrirla el abridor de puertas puede causar lesiones graves o la muerte.

Paso 1 Empazando. FIGURA 1. Coloque el receptor arriba en el cielo raro y en frente del abridor (entre el abridor y la puerta del garaje) de manera que el receptor esté por lo menos a 2 pies del abridor.

Paso 2 Montaje del receptor Universal. FIGURA 2. Durante la programación el abridor de puerta puede empezar a funcionar. Manténgase alejado de la puerta en movimiento y de las piezas de la misma. Para impedir que la puerta se mueva, cierre la puerta utilizando el botón de pared y desconecte el abridor estrando el cordón de desenganche de emergencia (vea el Manual del propietario).

Paso 3 Conectando el abridor de la puerta. FIGURA 3. Corte el alambre suficientemente largo para alcanzar desde la regla de terminales del abridor de puertas de garaje al receptor.

Paso 4 Conectando el receptor al transformador. FIGURES 4 y 5. Asegure de que los alambres no se toquen entre sí o toquen a otros terminales.

Paso 5 Programando el receptor. FIGURA 4. Durante la programación el abridor de puerta puede empezar a funcionar. Manténgase alejado de la puerta en movimiento y de las piezas de la misma. Para impedir que la puerta se mueva, cierre la puerta utilizando el botón de pared y desconecte el abridor estrando el cordón de desenganche de emergencia (vea el Manual del propietario).

Paso 6 Funcionamiento del transmisor. FIGURA 6. Oprima otra vez el botón del transmisor.

Paso 7 Invaldación del sistema de radio antiguo. FIGURA 5. Desheche todos los controles remotos antiguos, teclados numéricos y otros dispositivos de acceso. Asegure de que se quitaron las baterías.

Paso 8 Borrando la memoria del receptor. FIGURA 8. Durante la programación la puerta del garaje puede empezar a funcionar. Manténgase alejado de la puerta en movimiento y de las piezas de la misma. Para impedir que la puerta se mueva, cierre la puerta utilizando el botón de pared y desconecte el abridor estrando el cordón de desenganche de emergencia (vea el Manual del propietario).

Paso 9 Instalación de la batería / sujetador de visera. FIGURA 6. Para el cambio de batería. Suavemente haga palanca atrás del transmisor. Tome el cuidado al abrir. El interruptor de selector de frecuencia es contenido lugar por el caso.

Paso 10 Instalación de la batería / sujetador de visera. FIGURA 6. Para el cambio de batería. Suavemente haga palanca atrás del transmisor. Tome el cuidado al abrir. El interruptor de selector de frecuencia es contenido lugar por el caso.

Paso 11 Instalación de la batería / sujetador de visera. FIGURA 6. Para el cambio de batería. Suavemente haga palanca atrás del transmisor. Tome el cuidado al abrir. El interruptor de selector de frecuencia es contenido lugar por el caso.

Algunos abridores de puerta de garaje no tienen interruptores de código o botón de estado. Si usted no puede encontrar los controles o no puede cambiarlos, consulte el Manual del propietario de su abridor o comuníquese con el fabricante del abridor.

Algunos abridores de puerta de garaje no tienen interruptores de código o botón de estado. Si usted no puede encontrar los controles o no puede cambiarlos, consulte el Manual del propietario de su abridor o comuníquese con el fabricante del abridor.

Algunos abridores de puerta de garaje no tienen interruptores de código o botón de estado. Si usted no puede encontrar los controles o no puede cambiarlos, consulte el Manual del propietario de su abridor o comuníquese con el fabricante del abridor.

Algunos abridores de puerta de garaje no tienen interruptores de código o botón de estado. Si usted no puede encontrar los controles o no puede cambiarlos, consulte el Manual del propietario de su abridor o comuníquese con el fabricante del abridor.

Algunos abridores de puerta de garaje no tienen interruptores de código o botón de estado. Si usted no puede encontrar los controles o no puede cambiarlos, consulte el Manual del propietario de su abridor o comuníquese con el fabricante del abridor.

Algunos abridores de puerta de garaje no tienen interruptores de código o botón de estado. Si usted no puede encontrar los controles o no puede cambiarlos, consulte el Manual del propietario de su abridor o comuníquese con el fabricante del abridor.

Algunos abridores de puerta de garaje no tienen interruptores de código o botón de estado. Si usted no puede encontrar los controles o no puede cambiarlos, consulte el Manual del propietario de su abridor o comuníquese con el fabricante del abridor.

Algunos abridores de puerta de garaje no tienen interruptores de código o botón de estado. Si usted no puede encontrar los controles o no puede cambiarlos, consulte el Manual del propietario de su abridor o comuníquese con el fabricante del abridor.

Algunos abridores de puerta de garaje no tienen interruptores de código o botón de estado. Si usted no puede encontrar los controles o no puede cambiarlos, consulte el Manual del propietario de su abridor o comuníquese con el fabricante del abridor.

Algunos abridores de puerta de garaje no tienen interruptores de código o botón de estado. Si usted no puede encontrar los controles o no puede cambiarlos, consulte el Manual del propietario de su abridor o comuníquese con el fabricante del abridor.

Algunos abridores de puerta de garaje no tienen interruptores de código o botón de estado. Si usted no puede encontrar los controles o no puede cambiarlos, consulte el Manual del propietario de su abridor o comuníquese con el fabricante del abridor.

Algunos abridores de puerta de garaje no tienen interruptores de código o botón de estado. Si usted no puede encontrar los controles o no puede cambiarlos, consulte el Manual del propietario de su abridor o comuníquese con el fabricante del abridor.

Algunos abridores de puerta de garaje no tienen interruptores de código o botón de estado. Si usted no puede encontrar los controles o no puede cambiarlos, consulte el Manual del propietario de su abridor o comuníquese con el fabricante del abridor.

Algunos abridores de puerta de garaje no tienen interruptores de código o botón de estado. Si usted no puede encontrar los controles o no puede cambiarlos, consulte el Manual del propietario de su abridor o comuníquese con el fabricante del abridor.

Algunos abridores de puerta de garaje no tienen interruptores de código o botón de estado. Si usted no puede encontrar los controles o no puede cambiarlos, consulte el Manual del propietario de su abridor o comuníquese con el fabricante del abridor.

Algunos abridores de puerta de garaje no tienen interruptores de código o botón de estado. Si