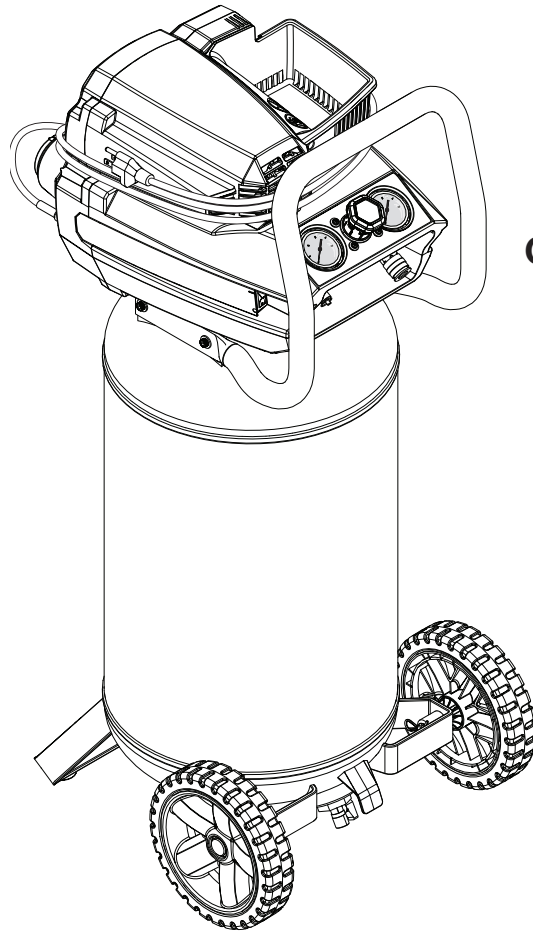




# OPERATOR'S MANUAL MANUEL D'UTILISATION MANUAL DEL OPERADOR

## 15 GALLON PORTABLE AIR COMPRESSOR COMPRESSEUR D'AIR PORTABLE DE 56,8 LITRES (15 GALLONS) COMPRESOR DE AIRE PORTÁTIL DE 56,8 LITROS (15 GALONES) OF150200A



To register your RIDGID product, please visit:  
<http://register.RIDGID.com>

Pour enregistrer votre produit de RIDGID, s'il vous plaît la visite :  
<http://register.RIDGID.com>

Para registrar su producto de RIDGID, por favor visita:  
<http://register.RIDGID.com>

**INCLUDES:** Air Compressor, Wheels, Mounting Hardware, Operator's Manual

### TABLE OF CONTENTS

\*\*\*\*\*

- General Safety Rules .....2-3
- Specific Safety Rules .....3-4
- Symbols.....5-6
- Electrical.....7
- Glossary of Terms.....8
- Features.....8
- Assembly.....9
- Operation.....10-12
- Maintenance.....13
- Troubleshooting.....14
- Illustrations .....15-17
- Parts Ordering/Service ..... Back Page

### **WARNING:**

To reduce the risk of injury, the user must read and understand the operator's manual before using this product.

**SAVE THIS MANUAL FOR FUTURE REFERENCE**

**INCLUT :** Compresseur d'air, roues, quincaillerie de montage, manuel d'utilisation

### TABLE DES MATIÈRES

\*\*\*\*\*

- Règles de sécurité générales .....2-3
- Règles de sécurité particulières .....3-4
- Symboles.....5-6
- Caractéristiques électriques.....7
- Glossaire.....8
- Caractéristiques .....8
- Assemblage.....9
- Utilisation.....10-12
- Entretien .....13
- Dépannage .....14
- Illustrations .....15-17
- Commande de pièces / réparation.....Page arrière

### **AVERTISSEMENT :**

Pour réduire les risques de blessures, l'utilisateur doit lire et veiller à bien comprendre le manuel d'utilisation avant d'employer ce produit.

**CONSERVER CE MANUEL POUR FUTURE RÉFÉRENCE**

**INCLUYE:** Compresor de aire, ruedas, piezas de montaje, manual del operador

### ÍNDICE DE CONTENIDO

\*\*\*\*\*

- Reglas de seguridad generales.....2-3
- Reglas de seguridad específicas .....3-4
- Símbolos .....5-6
- Aspectos eléctricos.....7
- Glosario de términos .....8
- Características .....8
- Armado.....9
- Funcionamiento.....10-12
- Mantenimiento.....13
- Solución de problemas .....14
- Ilustraciones .....15-17
- Pedidos de piezas / servicio..... Pág. posterior

### **ADVERTENCIA:**

Para reducir el riesgo de lesiones, el usuario debe leer y comprender el manual del operador antes de usar este producto.

**GUARDE ESTE MANUAL PARA FUTURAS CONSULTAS**

# GENERAL SAFETY RULES

---

## WARNING:

**Read and understand all instructions.** Failure to follow all instructions listed below may result in electric shock, fire, and/or serious personal injury.

---

## SAVE THESE INSTRUCTIONS

### WORK AREA

- **Keep your work area clean and well lit.** Cluttered benches and dark areas invite accidents. Floor must not be slippery from wax or dust.
- **Do not operate air compressors in explosive atmospheres, such as in the presence of flammable liquids, gases, or dust.** Power tools create sparks which may ignite the dust or fumes.
- **Keep bystanders, children, and visitors away while operating an air compressor.** Distractions can cause you to lose control.
- **Operate air compressor in an open area at least 18 in. away from any wall or object that could restrict the flow of fresh air to ventilation openings.**

### ELECTRICAL SAFETY

- **Avoid body contact with grounded surfaces such as pipes, radiators, ranges, and refrigerators.** There is an increased risk of electric shock if your body is grounded.
- **Don't expose air compressors to rain or wet conditions.** Water entering an air compressor will increase the risk of electric shock.
- **Do not abuse the cord. Never use the cord to carry the air compressor or pull the plug from an outlet. Keep cord away from heat, oil, sharp edges, or moving parts. Replace damaged cords immediately.** Damaged cords increase the risk of electric shock.
- **When operating an air compressor outside, use an outdoor extension cord marked "W-A" or "W".** These cords are rated for outdoor use and reduce the risk of electric shock.

### PERSONAL SAFETY

- **Eye protection which conforms to ANSI specifications and provides protection against flying particles both from the FRONT and SIDE should ALWAYS be worn by the operator and others in the work area when loading, operating, or servicing this product.** Eye protection is required to guard against flying fasteners and debris, which could cause severe eye injury.
- **The employer and/or user must ensure that proper eye protection is worn.** We recommend a Wide Vision Safety Mask for use over eyeglasses or standard safety glasses that provide protection against flying particles both from the front and side. Always use eye protection which is marked to comply with ANSI Z87.1.

- **Additional safety protection will be required in some environments.** For example, the working area may include exposure to a noise level which can lead to hearing damage. The employer and user must ensure that any necessary hearing protection is provided and used by the operator and others in the work area. Some environments will require the use of head protection equipment. When required, the employer and user must ensure that head protection marked to comply with ANSI Z89.1 is used.
- **Stay alert, watch what you are doing, and use common sense when operating the air compressor. Do not use product while tired or under the influence of drugs, alcohol, or medication.** A moment of inattention while operating an air compressor may result in serious personal injury.
- **Dress properly. Do not wear loose clothing or jewelry. Contain long hair. Keep your hair, clothing, and gloves away from moving parts.** Loose clothes, jewelry, or long hair can be caught in moving parts.
- **Do not overreach. Keep proper footing and balance at all times.** Proper footing and balance enables better control of the product in unexpected situations.
- **Use safety equipment. Always wear eye protection.** Dust mask, nonskid safety shoes, hard hat, or hearing protection must be used for appropriate conditions.
- **Do not use on a ladder or unstable support.** Stable footing on a solid surface enables better control of the air compressor in unexpected situations.

### AIR COMPRESSOR USE AND CARE

- **Do not exceed the pressure rating of any component in the system.**
- **Protect material lines and air lines from damage or puncture.** Keep hose and power cord away from sharp objects, chemical spills, oil, solvents, and wet floors.
- **Check hoses for weak or worn condition before each use, making certain all connections are secure.** Do not use if defect is found. Purchase a new hose or notify an authorized service center for examination or repair.
- **Release all pressures within the system slowly.** Dust and debris may be harmful.
- **Store idle air compressors out of the reach of children and other untrained persons.** Air compressors are dangerous in the hands of untrained users.
- **Maintain air compressors with care.** Follow maintenance instructions. Properly maintained products are easier to control.
- **Check for misalignment or binding of moving parts, breakage of parts, and any other condition that may affect the product's operation. If damaged, have the air compressor serviced before using.** Many accidents are caused by poorly maintained products.

# GENERAL SAFETY RULES

---

- **Keep the exterior of the air compressor dry, clean, and free from oil and grease.** Always use a clean cloth when cleaning. Never use brake fluids, gasoline, petroleum-based products, or any strong solvents to clean the unit. Following this rule will reduce the risk of deterioration of the enclosure plastic.

## SERVICE

- **When servicing a product, use only identical replacement parts. Follow instructions in the *Maintenance* section of this manual.** Use of unauthorized parts or failure to follow Maintenance instructions may create a risk of injury.

# SPECIFIC SAFETY RULES

---

- **Know your air compressor.** Read operator's manual carefully. Learn its applications and limitations, as well as the specific potential hazards related to this product. Following this rule will reduce the risk of electric shock, fire, or serious injury.
- **Drain tanks of moisture after each day's use.** If unit will not be used for a while, it is best to leave drain valve open until such time as it is to be used. This will allow moisture to completely drain out and help prevent corrosion on the inside of tanks.
- **Risk of fire or explosion.** Do not spray flammable liquid in a confined area. Spray area must be well ventilated. Do not smoke while spraying or spray where spark or flame is present. Keep compressors as far from the spraying area as possible, at least 20 feet from the spraying area and all explosive vapors.
- **Risk of bursting.** Do not adjust regulator to result in output pressure greater than marked maximum pressure of attachment. Do not use at pressure greater than 150 psi.
- **If connected to a circuit protected by fuses, use time-delay fuses with this product.**
- **To reduce the risk of electric shock,** do not expose to rain. Store indoors.
- **Inspect tanks yearly for rust, pin holes, or other imperfections that could cause it to become unsafe.** Never weld or drill holes in the air tanks.
- **Make sure the hose is free of obstructions or snags.** Entangled or snarled hoses can cause loss of balance or footing and may become damaged.
- **Use the air compressor only for its intended use. Do not alter or modify the unit from the original design or function.**
- **Always be aware that misuse and improper handling of this product can cause injury to yourself and others.**
- **Service must be performed only by qualified repair personnel.** Service or maintenance performed by unqualified personnel may result in a risk of injury.
- **Disconnect power supply, open drain valve to decompress tanks and allow water to drain, and allow air compressor to become cool to the touch before servicing.** Turn pressure regulator knob fully counter-clockwise after shutting off air compressor.
- **Never leave a tool unattended with the air hose attached.**
- **Never point any air tool toward yourself or others.**
- **Do not operate this air compressor if it does not contain a legible warning label.**
- **Do not continue to use a tool or hose that leaks air or does not function properly.**
- **Always disconnect the air supply and power supply before making adjustments, servicing a product, or when a product is not in use.**
- **Do not attempt to pull or carry the air compressor by the hose.**
- **Your tool may require more air consumption than this air compressor is capable of providing.**
- **Always follow all safety rules recommended by the manufacturer of your air tool, in addition to all safety rules for the air compressor.** Following this rule will reduce the risk of serious personal injury.
- **Never direct a jet of compressed air toward people or animals. Take care not to blow dust and dirt towards yourself or others.** Following this rule will reduce the risk of serious injury.
- **Do not use this air compressor to spray chemicals.** Your lungs can be damaged by inhaling toxic fumes. A respirator may be necessary in dusty environments or when spraying paint. Do not carry while painting.
- **Inspect product cords and hoses periodically and, if damaged, have repaired at your nearest Authorized Service Center. Constantly stay aware of cord location.** Following this rule will reduce the risk of electric shock or fire.
- **Never use an electrical adaptor with this grounded plug.**




# SPECIFIC SAFETY RULES

---










- **Check damaged parts.** Before further use of the air compressor or air tool, a guard or other part that is damaged should be carefully checked to determine that it will operate properly and perform its intended function. Check for alignment of moving parts, binding of moving parts, breakage of parts, mounting, and any other conditions that may affect its operation. A guard or other part that is damaged should be properly repaired or replaced by an authorized service center. Following this rule will reduce the risk of shock, fire, or serious injury.
- **Make sure your extension cord is in good condition.** When using an extension cord, be sure to use one heavy enough to carry the current your product will draw. A wire gauge size (A.W.G.) of at least 14 is recommended for an extension cord 25 feet or less in length. A cord exceeding 50 feet is not recommended. If in doubt, use the next heavier gauge. The smaller the gauge number, the heavier the cord. An undersized cord will cause a drop in line voltage resulting in loss of power and overheating.
- **This equipment incorporates parts, such as snap switches, receptacles, and the like that tend to produce arcs or sparks** and, therefore, when located in a garage, it should be in a room or enclosure provided for the purpose, or should be 18 in. or more above the floor.
- **Never store a tool with air connected.** Storing the tool with air connected can result in unexpected firing and possible serious personal injury.
- **Protect your lungs.** Wear a face or dust mask if the operation is dusty. Following this rule will reduce the risk of serious personal injury.
- **If the power supply cord is damaged,** it must be replaced only by the manufacturer or by an authorized service center to avoid risk.
- **Save these instructions.** Refer to them frequently and use them to instruct others who may use this product. If you loan someone this product, loan them these instructions also.

# SYMBOLS

The following signal words and meanings are intended to explain the levels of risk associated with this product.

SYMBOL	SIGNAL	MEANING
	<b>DANGER:</b>	Indicates a hazardous situation, which, if not avoided, will result in death or serious injury.
	<b>WARNING:</b>	Indicates a hazardous situation, which, if not avoided, could result in death or serious injury.
	<b>CAUTION:</b>	Indicates a hazardous situation, that, if not avoided, may result in minor or moderate injury.
	<b>NOTICE:</b>	(Without Safety Alert Symbol) Indicates information considered important, but not related to a potential injury (e.g. messages relating to property damage).


Some of the following symbols may be used on this product. Please study them and learn their meaning. Proper interpretation of these symbols will allow you to operate the product better and safer.

SYMBOL	NAME	DESIGNATION/EXPLANATION
	Safety Alert	Indicates a potential personal injury hazard.
	Read Operator's Manual	To reduce the risk of injury, user must read and understand operator's manual before using this product.
	Eye Protection	Always wear eye protection with side shields marked to comply with ANSI Z87.1.
	Wet Conditions Alert	Do not expose to rain or use in damp locations.
	Risk of Bursting	Do not adjust regulator to result in output pressure greater than marked maximum pressure of attachment. Do not use at pressure greater than 150 PSI.
	Risk of Fire or Explosion	Do not spray flammable liquid in a confined area. Spray area must be well ventilated. Do not smoke while spraying or spray where spark or flame is present. Keep compressors as far from the spraying area as possible, at least 20 feet from the spraying area and all explosive vapors.
	Risk of Electrical Shock	Hazardous Voltage: Disconnect from power source before servicing. Compressor must be grounded.
	Hot Surface	To reduce the risk of injury or damage, avoid contact with any hot surface.
	Risk to Breathing	Air obtained directly from the air compressor should never be used to supply air for human consumption.


# SYMBOLS

---

Some of the following symbols may be used on this product. Please study them and learn their meaning. Proper interpretation of these symbols will allow you to operate the product better and safer.

SYMBOL	NAME	DESIGNATION/EXPLANATION
V	Volts	Voltage
A	Amperes	Current
Hz	Hertz	Frequency (cycles per second)
~	Alternating Current	Type of current
	Class II Construction	Double-insulated construction

---

 **DANGER:** This compressor/pump is not equipped and should not be used to supply breathing quality air. Additional equipment would be necessary to properly filter and purify the air to meet minimal specifications for Grade D breathing as described in Compressed Gas Association Commodity Specification G 7.1 - 1966, OSHA 29 CFR 1910.134. Compressed Gas Association, 4221 Walney Road, Fifth Floor, Chantilly, VA 20151-2923, (703) 788-2700, [www.cganet.com](http://www.cganet.com). Any such additional equipment has not been examined and no implication of proper use for breathing air is intended or implied.

If this compressor is altered in any way, existing warranties shall be voided. RIDGID® and One World Technologies, Inc. disclaim any liabilities whatsoever for any loss, personal injury, or damage.

### DISCLAIMER OF WARRANTIES

In the event the compressor is used for the purpose of breathing air application and proper in-line safety and alarm equipment is not simultaneously used, existing warranties shall be voided, and RIDGID® disclaims any liabilities whatsoever for any loss, personal injury, or damage.

---

# ELECTRICAL

## EXTENSION CORDS

Use only 3-wire extension cords that have 3-prong grounding plugs and 3-pole receptacles that accept the product's plug. When using a power tool at a considerable distance from the power source, use an extension cord heavy enough to carry the current that the tool will draw. An undersized extension cord will cause a drop in line voltage, resulting in a loss of power and causing the motor to overheat. Use the chart provided below to determine the minimum wire size required in an extension cord. Only round jacketed cords listed by Underwriter's Laboratories (UL) should be used.

\*\*Ampere rating (on product data plate)

Cord Length	Wire Size (A.W.G.)					
	0-2.0	2.1-3.4	3.5-5.0	5.1-7.0	7.1-12.0	12.1-16.0
25'	16	16	16	16	14	14
50'	16	16	16	14	14	12
100'	16	16	14	12	10	—

\*\*Used on 12 gauge - 20 amp circuit.

**NOTE:** AWG = American Wire Gauge

When working with the product outdoors, use an extension cord that is designed for outside use. This is indicated by the letters "W-A" or "W" on the cord's jacket.

Before using an extension cord, inspect it for loose or exposed wires and cut or worn insulation.

### **WARNING:**

Keep the extension cord clear of the working area. Position the cord so that it will not get caught on lumber, tools, or other obstructions while you are working with a power tool. Failure to do so can result in serious personal injury.

### **WARNING:**

Check extension cords before each use. If damaged replace immediately. Never use the product with a damaged cord since touching the damaged area could cause electrical shock resulting in serious injury.

## ELECTRICAL CONNECTION

This product is powered by a precision-built electric motor. It should be connected to a **power supply that is 120 V, AC only (normal household current), 60 Hz**. Do not operate this product on direct current (DC). A substantial voltage drop will cause a loss of power and the motor will overheat. If the product does not operate when plugged into an outlet, double check the power supply.

## SPEED AND WIRING

The no-load speed of this product is approximately 18,000 rpm. This speed is not constant and decreases under a load or with lower voltage. For voltage, the wiring in a shop is as important as the motor's horsepower rating. A line intended only for lights cannot properly carry an air compressor motor. Wire that is heavy enough for a short distance will be too light for a greater distance. A line that can support one power tool may not be able to support two or three tools.

## GROUNDING INSTRUCTIONS

See Figure 1, page 15.

This product must be grounded. In the event of a malfunction or breakdown, grounding provides a path of least resistance for electric current to reduce the risk of electric shock. This product is equipped with an electric cord having an equipment-grounding conductor and a grounding plug. The plug must be plugged into a matching outlet that is properly installed and grounded in accordance with all local codes and ordinances.

Do not modify the plug provided. If it will not fit the outlet, have the proper outlet installed by a qualified electrician.

### **WARNING:**

Improper installation of the grounding plug is liable to result in a risk of electric shock. When repair or replacement of the cord is required, do not connect the grounding wire to either flat blade terminal. The wire with insulation having an outer surface that is green with or without yellow stripes is the grounding wire.

Check with a qualified electrician or service personnel if the grounding instructions are not completely understood, or if in doubt as to whether the product is properly grounded.

Repair or replace a damaged or worn cord immediately.

This product is for use on a nominal 120 V circuit and has a grounding plug similar to the plug illustrated in *figure 1, page 14*. Only connect the product to an outlet having the same configuration as the plug. Do not use an adaptor with this product.

# GLOSSARY OF TERMS

---

## **Air Filter**

Porous element contained within a metal or plastic housing attached to the compressor cylinder head which removes impurities from the intake air of the compressor.

## **Air Tank**

Cylindrical component which contains the compressed air.

## **Check Valve**

Device that prevents compressed air from flowing back from the air tank to the compressor pump.

## **CFM (Cubic Feet Per Minute or SCFM (Standard Cubic Feet Per Minute)**

A unit of measure of air delivery.

## **Circuit Breaker**

Automatically shuts off the compressor if the temperature of the electric motor exceeds a predetermined limit.

## **Cut-In Pressure**

The low pressure at which the motor will automatically restart.

## **Cut-Off Pressure**

The high pressure at which the motor will automatically shut off.

## **Electric Motor**

Device which provides the rotational force necessary to operate the compressor pump.

## **Auto On/Off Switch**

Control which turns the air compressor on or off. The pressure switch will not automatically start and control the compressor unless the manual Auto On/Off switch is in the **AUTO ON** position.

## **NPT (National Pipe Thread)**

A seal thread tape must be used to provide a leak-free seal on pipe threaded connections.

## **Pressure Regulator Knob**

Regulates the outgoing pressure from the air outlet to the tool. It is possible to increase or decrease the pressure at the outlet by adjusting this control knob.

## **Pressure Switch**

Automatically controls the on/off cycling of the compressor. It stops the compressor when the cut-off pressure in the tank is reached and starts the compressor when the air pressure drops below the cut-in pressure.

## **PSI (Pounds Per Square Inch)**

Measurement of the pressure exerted by the force of the air. The actual psi is measured by a pressure gauge on the compressor.

## **Pump**

Produces the compressed air with a reciprocating piston contained within the cylinder.

## **Regulator Pressure Gauge**

Displays the current line pressure. Line pressure is adjusted by rotating the pressure regulator knob.

## **Safety Valve**

Prevents air pressure in the air tank from rising over a predetermined limit.

## **Tank Pressure Gauge**

Indicates the pressure in the air tank.

# FEATURES

---

## **PRODUCT SPECIFICATIONS**

Air Tank Capacity ..... 15 gal.  
Air Pressure ..... 200 psi max.  
Air Delivery ..... 5.1 CFM @ 90 psi  
Tested per ISO1217

Gauges ..... 2 in. diameter  
Input ..... 120 V, AC only, 60 Hz, 14.5 A  
Duty Cycle ..... 10 minutes On/10 minutes Off



# ASSEMBLY

---

## UNPACKING

This product requires assembly.

- Carefully remove the tool and any accessories from the box. All items listed in the **Includes** section must be included at the time of purchase.
- 

### WARNING:

Items in this *Assembly* section are not assembled to the product by the manufacturer and require customer installation. Use of a product that may have been improperly assembled could result in serious personal injury.

---

- If any parts are damaged or missing, please call 1-866-539-1710 for assistance.
- 

### WARNING:

If any parts are damaged or missing do not operate this product until the parts are replaced. Use of this product with damaged or missing parts could result in serious personal injury.

---

### WARNING:

Do not attempt to modify this product or create accessories or attachments not recommended for use with this product. Any such alteration or modification is misuse and could result in a hazardous condition leading to possible serious personal injury.

---



### WARNING:

To prevent accidental starting that could cause serious personal injury, always disconnect the engine spark plug wire from the spark plug when assembling parts.

---

## LOOSE PARTS LIST

See Figure 2, page 16.

The following items are included with the air compressor:

### Key

No.	Description	Qty.
1	Axle Bolt .....	2
2	Flat Washer.....	2
3	Hitch Pin .....	2
4	Wheel.....	2
	Operator's Manual (not shown) .....	1

## INSTALLING THE WHEELS

See Figure 3, page 16.

**NOTE:** Do not connect the air compressor to a power supply when installing the wheels. Make sure the pressure in the tank is at 0 psi.

- Position the compressor as shown, on the floor or a stable surface, with the gauges face down.
- Insert an axle through one of the tires. Add a washer as shown. Slide a hitch pin through the hole in the bolt.
- Install the second tire. Make sure both tires are securely installed.
- Set the air compressor upright.

# OPERATION

---

## **DANGER:**

Do not disassemble check valve, tank drain valves or safety relief valve with air in tank — bleed tanks. Failure to depressurize tank could result in explosion and/or serious personal injury.

---

## **WARNING:**

Do not allow familiarity with products to make you careless. Remember that a careless fraction of a second is sufficient to inflict severe injury.

---

## **WARNING:**

Always wear eye protection with side shields marked to comply with ANSI Z87.1. Failure to do so could result in objects being thrown into your eyes resulting in possible serious injury.

---

## **WARNING:**

Do not use any attachments or accessories not recommended by the manufacturer of this product. The use of attachments or accessories not recommended can result in serious personal injury.

---

## **WARNING:**

This equipment incorporates parts, such as snap switches, receptacles, and the like that tend to produce arcs or sparks and, therefore, when located in a garage, it should be in a room or enclosure provided for the purpose, or should be 18 in. or more above the floor.

---

## **WARNING:**

Do not attach any tools to the open end of the hose until start-up has been completed.

---

## **NOTICE:**

Do not use in an environment that is dusty or otherwise contaminated. Using the air compressor in this type of environment may cause damage to the unit.

---

## **NOTICE:**

The wiring to a receptacle and the length of any extension cords being used play an important role in the operation of this product. Wiring intended for lights cannot properly carry an air compressor motor, and wire that is heavy enough for a short distance may be insufficient for a greater distance. Before using this product, verify your receptacle is wired appropriately for air compressor use and the length and gauge of any extension cord used is sufficient to carry the current of the air compressor.

---

## **APPLICATIONS**

Air compressors are utilized in a variety of air system applications. Match hoses, connectors, air tools, and accessories to the capabilities of the air compressor.

You may use this product for the purposes listed below:

- Operating some air-powered tools
- Operating air accessories such as air nozzles and automotive tire inflators

## **CONNECTING/DISCONNECTING AIR HOSE (HOSE NOT PROVIDED)**

*See Figure 4, page 16.*

---

## **WARNING:**

Never exceed the air tool's pressure rating as recommended by the manufacturer. When using this air compressor as an inflation device, always follow the maximum inflation guidelines stated by the manufacturer of the item being inflated.

---

- Make sure the air compressor is turned off and unplugged.
- Pull up, then rotate pressure regulator knob fully in the counter-clockwise direction so that the outlet pressure is at zero (0) psi. Push the regulator knob down to lock.
- Attach hose with quick connect air fitting to 1/4 in. quick coupler on air compressor. Make sure to push the hose adapter end fully into the coupler until the sleeve springs forward to lock it in place.

### **To disconnect an air hose or an air tool:**

- Confirm that the outlet pressure is at zero (0) psi.
- When disconnecting a hose from 1/4-in. quick coupler, always firmly hold release end of hose.
- Pull back on the release sleeve on the 1/4-in. quick coupler.
- With a firm grip, pull out the quick-connect air fitting that is attached to the quick coupler.

# OPERATION

---

## BREAK-IN PERIOD

Before first use, run the air compressor at zero tank pressure with the drain valves fully open for 30 minutes.

## TURNING THE AIR COMPRESSOR ON/OFF

See Figure 5, page 16.

- With the air compressor plugged in, move the Auto On/Off switch to the **AUTO ON** position to power the compressor on.
- To turn the air compressor off, move the Auto On/Off switch to the **OFF** position.

**NOTE:** When the compressor is in the **AUTO ON** position, the air compressor will automatically turn back on when the designated tank air pressure drops below the preset pressure limit. It will also shut off again when the cut-off pressure is reached.

---

### **WARNING:**

Never exceed the air tool's pressure rating as recommended by the manufacturer. When using this air compressor as an inflation device, always follow the maximum inflation guidelines stated by the manufacturer of the item being inflated.

---

### **WARNING:**

Always ensure the switch is in the **OFF** position and the regulator pressure gauge reads zero before changing air tools or disconnecting the hose from the air outlet. Failure to do so could result in possible serious personal injury.

---

## USING THE AIR COMPRESSOR

See Figures 6 - 7, pages 16 - 17.

---

### **WARNING:**

**Risk of bursting.** Do not adjust pressure regulator knob to result in output pressure greater than marked maximum pressure of attachment and/or the item being inflated. Never use at pressure greater than 150 psi. Failure to heed this warning could result in possible serious personal injury.

---

### **WARNING:**

Air powered tools may require more air consumption than this air compressor is capable of providing. Check the tool manual to avoid damage to the tool or risk of personal injury.

- 
- Ensure Auto On/Off lever is in the **OFF** position and air compressor is unplugged.

- Attach air hose following the instructions in **Connecting/ Disconnecting Air Hose** (hose not provided).
- Attach 1/4 in. NPT quick-connect air fitting to accessory or tool you intend to use.
- Insert the other end of the quick-connect air fitting to the quick coupler on the open end of hose.
- Connect the power cord to the power supply.
- Move the Auto On/Off switch to the **AUTO ON** position.
- Set the amount of air pressure desired using the pressure regulator knob. Pull the knob out, then turn clockwise to increase or counterclockwise to decrease the air pressure through the hose. When the desired pressure is set, push the knob back in to lock.

**NOTE:** Always use the minimum amount of pressure necessary for your application. Using a higher pressure than needed will drain air from the tank more rapidly and cause the unit to cycle on more frequently.

- Following all safety precautions in this manual and the manufacturer's instructions in the air tool manual, you may now proceed to use your air-powered tool.

**NOTE:** The air compressor will shut off during an electrical overload. To reset the internal overload switch, unplug the air compressor and allow the unit to cool.

- When finished, always drain the tank and unplug the unit. Never leave the unit plugged in and/or running unattended.

---

## CHECKING THE SAFETY VALVE

See Figures 8, page 17.

---

### **DANGER:**

Do not attempt to tamper with the safety valve. Anything loosened from this device could fly up and hit you. Failure to heed this warning could result in death or serious personal injury.

---

The safety valve will automatically release air if the air tank pressure exceeds the cut-out pressure. The valve should be checked before each day of use by pulling the ring by hand.

- Turn the air compressor on and allow the tank to fill. The compressor will shut off when the pressure reaches the cut-out pressure.
- Turn the air compressor off.
- Pull the ring on the safety valve to release air for three to five seconds to allow pressurized air to escape. Release the ring. The safety release valve must reset and hold pressure before all compressed air is exhausted from the tank/pressure vessel.
- Any continued loss of air after performing the above steps indicates a problem with the safety valve. Discontinue use and seek service before continued use of the air compressor.

# OPERATION

---

---

## **WARNING:**

If air leaks after the ring has been released or if the valve is stuck and cannot be actuated by the ring, do not use the air compressor until the safety valve has been replaced. Use of the air compressor in this condition could result in serious personal injury.

---

## **DRAINING THE TANKS**

See Figures 8 - 9, page 17.

To help prevent tank corrosion and keep moisture out of the air used, the air tanks of the compressor should be drained daily.

### **To drain:**

- Turn the air compressor off and disconnect the plug from the power supply.
- Pull the ring on the pressure relief valve to release air until tank pressure gauge reads less than 20 psi.
- Release the ring.
- Turn the drain valves 90° counterclockwise to the open position.
- Tilt tanks to drain moisture from tanks into a suitable container.

**NOTE:** Condensate is a polluting material and should be disposed of in compliance with local regulations.

- If a drain valve is clogged, release all air pressure, remove and clean valve, then reinstall.

---

## **WARNING:**

Unplug the air compressor and release all air from the tanks before servicing. Failure to depressurize tanks before attempting to remove valve could cause serious personal injury.

- 
- Turn the drain valves 90° clockwise to the closed position.

---

## **WARNING:**

**RISK OF BURSTING.** All compressed air tanks have a limited lifespan. The lifespan can be affected by a number of factors, including operating conditions of the air compressor, proper maintenance of the tank, and unauthorized repairs and modifications. Since deterioration of the tank can occur internally with no outward signs, the air tank(s) on this compressor **MUST** be removed from service by the end of the year shown on the data label. Use of the air compressor after this date increases the risk of an air tank rupture, which could result in serious personal injury.

---

# MAINTENANCE

---

## **WARNING:**

Always release all pressure, disconnect from power supply, and allow unit to cool to the touch before cleaning or making repairs on the air compressor.

---

## **WARNING:**

Always wear eye protection with side shields marked to comply with ANSI Z87.1. Failure to do so could result in objects being thrown into your eyes resulting in possible serious injury.

---

## **WARNING:**

When servicing, use only identical replacement parts. Use of any other parts could create a hazard or cause product damage.

---

## **GENERAL MAINTENANCE**

Avoid using solvents when cleaning plastic parts. Most plastics are susceptible to damage from various types of commercial solvents and may be damaged by their use. Use clean cloths to remove dirt, dust, oil, grease, etc.

---

## **WARNING:**

Do not at any time let brake fluids, gasoline, petroleum-based products, penetrating oils, etc., come in contact with plastic parts. Chemicals can damage, weaken or destroy plastic which could result in serious personal injury.

---

## **LUBRICATION**

All of the bearings in this product are lubricated with a sufficient amount of high grade lubricant for the life of the unit under normal operating conditions. Therefore, no further lubrication is required.

## **POWER SUPPLY CORD REPLACEMENT**

If replacement of the power supply cord is necessary, this must be done by an authorized service center in order to avoid a safety hazard.

## **REPLACING THE AIR FILTER**

*See Figure 10, page 17.*

- Press and rotate the air filter cover counterclockwise to remove the air filter and air filter assembly.
- Grasp the tabs on the air filter cover and pull away from the housing.
- Remove the old air filter.
- Install the new air filter.
- Replace the air filter cover by lining up the tabs and pushing it onto the housing until it clicks in place.
- Replace the air filter assembly into the compressor by turning it clockwise. Do not over tighten.

## **MOVING THE AIR COMPRESSOR**

*See Figure 11, page 17.*

- Make sure the air compressor is off.
- With your foot on the rear of the frame, tilt the machine toward you until it balances on the wheels, then roll the machine to the desired location.

## **STORING THE AIR COMPRESSOR**

*See Figure 12, page 17.*


- Unplug the air compressor.
- Disconnect air hose and air tool from the product.
- Drain air tanks according to instructions.
- Thoroughly clean air compressor and any accessories.
- Coil power cord around handle and motor as shown. Secure in place using the cord clip.

## **TRANSPORTING THE AIR COMPRESSOR**

*See Figure 13, page 17.*

- Unplug the air compressor.
- Disconnect air hose and air tool from the product.
- Drain air tanks according to instructions.
- If transporting the air compressor in an upright position, make sure it is secured to prevent tipping.

# TROUBLESHOOTING

PROBLEM	POSSIBLE CAUSE	SOLUTION
Compressor will not run	Loss of power or overheating No electrical power  Blown shop/house fuse Shop/house breaker open  Pressure switch bad Tank is full of air  Internal overload switch is tripped	Check for proper use of extension cord Check to be sure unit is plugged in; Check fuse/breaker Replace shop/house blown fuse Reset shop/house breaker, determining why problem happened Take compressor to service center Compressor will turn on when tank pressure drops to cut-in pressure Unplug compressor and allow unit to cool
Motor hums but cannot run or runs slowly	Low voltage Wrong gauge wire or length of extension cord Shorted or open motor winding Defective check valve or unloader	Use compressor on outlet with sufficient voltage Check for proper gauge wire and cord length Take compressor to service center Take compressor to service center
Internal overload switch trips repeatedly	Low voltage Lack of proper ventilation/room temperature too high Wrong gauge wire or length of extension cord	Use compressor on outlet with sufficient voltage Move compressor to well-ventilated area Check for proper gauge wire and cord length
Air tank pressure drops when compressor shuts off	Loose connections (fittings, tubing, etc.)  Loose drain valve/open drain valve Check valve leaking	Check all connections with soap and water solution and tighten Tighten drain valve/close drain valve Take compressor to service center  <b> DANGER:</b> Do not disassemble check valve, tank drain valves or safety relief valve with air in tank — bleed tanks.
Excessive moisture in discharge air	Excessive water in air tanks High humidity	Drain tanks Move to area of less humidity; use air line filter
Compressor runs continuously	Defective pressure switch Excessive air usage  Piston rings are worn	Take compressor to service center Decrease air usage; compressor not large enough for tool's requirement Replace piston rings; Call customer service for assistance
Air output lower than normal	Broken inlet valves Connections leaking	Take compressor to service center Tighten connections

**NOTE: ILLUSTRATIONS START ON Page 14 AFTER FRENCH AND SPANISH LANGUAGE SECTIONS.**

**This product has a 90-Day Satisfaction Guarantee Policy, as well as a Three-year Limited Warranty. For Warranty and Policy details, please go to [www.RIDGID.com](http://www.RIDGID.com) or call (toll free) 1-866-539-1710.**

# RÈGLES DE SÉCURITÉ GÉNÉRALES

## AVERTISSEMENT :

Lire et veiller à bien comprendre toutes les instructions. Le non-respect de toutes les instructions ci-dessous peut entraîner un choc électrique, un incendie et/ou des blessures graves.

## CONSERVER CES INSTRUCTIONS

### LIEU DE TRAVAIL

- **Garder le lieu de travail propre et bien éclairé.** Les établis encombrés et les endroits sombres sont propices aux accidents. Le sol ne doit pas être rendu glissant par de la cire ou de la sciure.
- **Ne pas utiliser d'outils électriques dans des atmosphères explosives, par exemple en présence de liquides, gaz ou poussières inflammables.** Les outils électriques produisent des étincelles risquant d'enflammer les poussières ou vapeurs.
- **Garder les badauds, enfants et visiteurs à l'écart pendant l'utilisation d'outils.** Les distractions peuvent causer une perte de contrôle.
- **Utiliser le compresseur d'air dans un endroit dégagé, à au moins 460 mm (18 po) de toute paroi ou objet risquant de gêner l'entrée de l'air dans les ouvertures de ventilation.**

### SÉCURITÉ ÉLECTRIQUE

- **Éviter tout contact du corps avec des surfaces mises à la terre, telles que tuyaux, radiateurs, cuisinières et réfrigérateurs.** Le risque d'électrocution est accru lorsque le corps est mis à la terre.
- **Ne pas exposer les outils électriques à la pluie ou l'humidité.** La pénétration d'eau dans ces outils accroît le risque de choc électrique.
- **Ne pas maltraiter le cordon d'alimentation. Ne jamais utiliser le cordon d'alimentation pour transporter l'outil et ne jamais débrancher ce dernier en tirant sur le cordon. Garder le cordon à l'écart de la chaleur, de l'huile, des objets tranchants et des pièces en mouvement. Remplacer immédiatement tout cordon endommagé.** Un cordon endommagé accroît le risque d'électrocution.
- **Pour les travaux à l'extérieur, utiliser un cordon spécialement conçu à cet effet, marqué « W-A » ou « W ».** Ces cordons sont spécifiques à l'emploi en plein-air et réduisent les risques d'électrocution.

### SÉCURITÉ PERSONNELLE

- **Lors du chargement, de l'utilisation ou de l'entretien de cet outil, l'opérateur et les personnes se trouvant sur le lieu de travail doivent TOUJOURS porter un dispositif oculaire à protection FRONTALE et LATÉRALE, conforme aux normes ANSI.** Une telle protection est requise, car les clous / agrafes et débris projetés peuvent causer des lésions oculaires graves.

- **Il incombe à l'employeur et/ou l'utilisateur de veiller à ce qu'une protection oculaire adéquate soit utilisée.** Nous recommandons d'utiliser un masque facial à champ de vision se portant par-dessus des lunettes de vue ou de sécurité et protégeant des débris projetés sur le devant et les côtés. Toujours porter une protection oculaire certifiée conforme à la norme ANSI Z87.1.
- **Des équipements de protection supplémentaires sont requis dans certains environnements.** Par exemple, le lieu de travail peut présenter un niveau de bruit susceptible d'entraîner des lésions auditives. Il incombe à l'opérateur et à l'utilisateur qu'une protection auditive soit fournie et utilisée par l'opérateur et les autres personnes se trouvant sur le lieu de travail. Certains environnements requièrent le port d'un casque. Il incombe à l'employeur et/ou l'utilisateur de veiller à ce qu'un casque conforme à la norme ANSI Z89.1 soit utilisé.
- **Rester attentif, prêter attention au travail et faire preuve de bon sens lors de l'utilisation de tout outil électrique. Ne pas utiliser cet outil en état de fatigue ou sous l'influence d'alcool, de drogues ou de médicaments.** Un moment d'inattention pendant l'utilisation d'un outil électrique peut entraîner des blessures graves.
- **Porter une tenue appropriée. Ne porter ni vêtements amples, ni bijoux. Attacher ou couvrir les cheveux longs. Garder les cheveux, les vêtements et les gants à l'écart des pièces en mouvement.** Les vêtements amples, bijoux et cheveux longs peuvent se prendre dans les pièces en mouvement.
- **Ne pas travailler hors de portée. Toujours se tenir bien campé et en équilibre.** Une bonne tenue et un bon équilibre permettent de mieux contrôler l'outil en cas de situation imprévue.
- **Utiliser l'équipement de sécurité. Toujours porter une protection oculaire.** Suivant les conditions, le port d'un masque antipoussière, de chaussures de sécurité, d'un casque ou d'une protection auditive est recommandé.
- **Ne pas utiliser l'outil sur une échelle ou un support instable.** Une bonne tenue et un bon équilibre permettent de mieux contrôler l'outil en cas de situation imprévue.

### UTILISATION ET ENTRETIEN DE L'OUTIL

- **Ne pas dépasser les pressions nominales des composants du système.**
- **Protéger les flexibles d'alimentation et d'outil contre les dommages et risques de perforation.** Garder le flexible et le cordon d'alimentation électrique à l'écart de la chaleur, de l'huile, des solvants et sols humides ou mouillés.
- **Avant chaque utilisation, s'assurer que les flexibles ne sont pas affaiblis ou endommagés et vérifier tous les branchements.** Ne pas utiliser le compresseur si les flexibles ne sont pas en bon état. Acheter de nouveaux flexibles ou contacter un centre de réparations agréé, pour les faire inspecter ou réparer.

# RÈGLES DE SÉCURITÉ GÉNÉRALES

---

- **Relâcher toutes les pressions du système lentement.** La projection de poussières et de débris peut être dangereuse.
- **Ranger les outils non utilisés hors de portée des enfants et des personnes n'ayant pas reçu des instructions adéquates.** Dans les mains de personnes n'ayant pas reçu des instructions adéquates, les outils sont dangereux.
- **Entretenir soigneusement les outils.** Respecter toutes les instructions d'entretien. Les outils correctement entretenus sont plus faciles à contrôler.
- **Vérifier qu'aucune pièce mobile n'est mal alignée, grippée ou brisée et s'assurer qu'aucun autre problème risque d'affecter le bon fonctionnement de l'outil. En cas de dommages, faire réparer l'outil avant de l'utiliser de nouveau.** Beaucoup d'accidents sont causés par des outils mal entretenus.
- **Garder l'extérieur du compresseur sec, propre et exempt d'huile ou de graisse.** Toujours utiliser un chiffon propre pour le nettoyage. Ne jamais utiliser de liquide de

freins, d'essence, de produits à base de pétrole ou de solvants puissants pour nettoyer l'outil. Le respect de cette règle réduira les risques de perte du contrôle et d'endommagement du boîtier en plastique.

## DÉPANNAGE

- **Utiliser exclusivement des pièces identiques à celles d'origine pour les réparations. Se conformer aux instructions de la section *Entretien* de ce manuel.** L'usage de pièces non autorisées ou le non respect des instructions d'entretien peut présenter des risques de blessures.
- **Le dépannage des outils doit être confié exclusivement à un personnel qualifié.** Les réparations ou entretiens effectués par des personnes non qualifiées présentent des risques de blessures.
- **Débrancher le compresseur, ouvrir le robinet de purge pour relâcher la pression, laisser l'eau s'écouler et laisser la machine refroidir avant de procéder à tout entretien.** Après avoir arrêté le compresseur, tourner le bouton du détendeur à fond vers la gauche.

# RÈGLES DE SÉCURITÉ PARTICULIÈRES

---

- **Apprendre à connaître le compresseur d'air .** Lire attentivement le manuel d'utilisation. Apprendre les applications et les limites de l'outil, ainsi que les risques spécifiques relatifs à son utilisation. Le respect de cette règle réduira les risques d'incendie, de choc électrique et de blessures.
- **Purger le réservoir après chaque journée de travail.** Si le compresseur ne doit pas être utilisé pendant un certain temps, il est préférable de laisser le robinet de purge ouvert. Cela permettra d'évacuer complètement l'humidité et aidera à empêcher la corrosion de l'intérieur du réservoir.
- **Risque d'incendie ou d'explosion.** Ne pas vaporiser de liquides inflammables dans un endroit confiné. La zone de pulvérisation doit être bien ventilée. Ne pas fumer pendant la pulvérisation ou pulvériser en présence de flammes. Garder les compresseurs le plus loin possible des zones de pulvérisation, au moins à 6,1 m (20 pi) de la zone de pulvérisation et de toutes vapeurs explosives.
- **Risque d'éclatement.** Ne pas régler le détendeur pour obtenir une pression de sortie supérieure à la pression nominale de l'accessoire utilisé. Ne pas utiliser une pression de plus de 150 psi.
- **Si connecter à un circuit protéger par des fusibles, utiliser des fusibles coussinets avec ce produit.**
- **Pour réduire le risque de choc électrique, ne pas exposer à la pluie. Remiser à l'intérieur.**
- **Une fois l'an, s'assurer que le réservoir n'est pas rouillé ou piqué et ne présente aucun défaut risquant de le rendre dangereux.** Ne jamais percer ou souder le réservoir.
- **S'assurer que le flexible n'est ni bloqué, ni accroché.** Un flexible emmêlé ou entortillé peut causer une perte d'équilibre et être endommagé.
- **Le compresseur ne doit être utilisé que pour les applications pour lesquelles il est conçu. Ne pas altérer ou modifier le compresseur ou l'utiliser pour des applications pour lesquelles il n'est pas conçu.**
- **Ne jamais oublier qu'un usage incorrect ou abusif de cet outil peut mettre l'opérateur et les autres personnes présentes en danger.**
- **Ne jamais laisser l'outil sans surveillance avec le flexible d'air branché.**
- **Ne pas pointer un outil pneumatique quel qu'il soit vers soi ou d'autres personnes.**
- **Ne pas utiliser ce compresseur s'il ne comporte pas d'autocollant d'avertissement.**
- **Ne pas utiliser un outil qui présente des fuites d'air ou ne fonctionne pas correctement.**
- **Toujours débrancher l'outil des alimentations pneumatique et électrique avant d'effectuer des réglages ou entretiens et lorsque l'outil n'est pas utilisé.**
- **Ne pas essayer de tirer ou de transporter le compresseur par son flexible.**
- **La consommation d'air de l'outil peut être supérieure à la capacité de ce compresseur.**
- **Toujours respecter les consignes de sécurité du fabricant de l'outil pneumatique, ainsi que toutes les règles de sécurité d'utilisation du compresseur.** Le respect de cette consigne réduira les risques de blessures graves.






# RÈGLES DE SÉCURITÉ PARTICULIÈRES

---










- **Ne jamais diriger le jet d'air comprimé vers des personnes ou animaux. Veiller à ne pas projeter de la poussière ou de la saleté vers soi-même ou d'autres personnes.** Le respect de cette règle réduira les risques de blessures graves.
- **Ne pas utiliser ce compresseur pour la pulvérisation de produits chimiques.** L'inhalation de vapeurs toxiques peut causer des lésions pulmonaires. Le port d'un respirateur peut être nécessaire dans les environnements poussiéreux ou lors de la pulvérisation de peinture. Ne pas porter lorsque vous êtes en train de peindre.
- **Inspecter régulièrement le cordon d'alimentation de l'outil et les flexibles. S'ils sont endommagés, les confier au centre de réparations agréé le plus proche. Toujours être conscient de l'emplacement du cordon.** Le respect de cette consigne réduira les risques de choc électrique et d'incendie.
- **Ne jamais utiliser un adaptateur électrique avec cette prise de terre.**
- **Vérifier l'état des pièces. Avant d'utiliser le compresseur de nouveau, examiner soigneusement les pièces et dispositifs de protection qui semblent endommagés afin de déterminer s'ils fonctionnent correctement et remplissent les fonctions prévues. Vérifier l'alignement des pièces mobiles, s'assurer qu'aucune pièce n'est bloquée ou cassée, vérifier la fixation de chaque pièce et s'assurer qu'aucun autre problème ne risque d'affecter le bon fonctionnement de l'outil. Toute protection ou pièce endommagée doit être correctement réparée ou remplacée dans un centre de réparations agréé.** Le respect de cette consigne réduira les risques de choc électrique, d'incendie et de blessures graves.
- **S'assurer que le cordon prolongateur est en bon état. Si un cordon prolongateur est utilisé, s'assurer que sa capacité est suffisante pour supporter le courant de fonctionnement de l'outil. Un calibre de fil (A.W.G) d'au minimum 14 est recommandé pour un cordon prolongateur de 8 mètres (25 pi) maximum. L'usage d'un cordon de plus de 15 mètres (50 pi) est déconseillé. En cas de doute, utiliser un cordon du calibre immédiatement supérieur. Moins le numéro de calibre est élevé, plus la capacité du fil est grande.** Un cordon de capacité insuffisante causerait une baisse de la tension de ligne, entraînant une perte de puissance et une surchauffe.
- **Un cet équipement incorpore des parties, commutateurs telles que de claquement, les prises, et l'aimé qu'avoir tendance à produire des arcs ou des étincelles et, donc, quand localisé dans un garage, ce doit être dans une pièce ou la clôture a pourvu au but, ou doit être 457 mm (18 po) ou plus au-dessus du plancher.**
- **Ne jamais emmagasiner l'outil avec l'air connecté.** Emmagasiner l'outil avec l'air connecté peut avoir pour résultat vider imprévu et la blessure personnelle, sérieuse et possible.
- **Protection respiratoire.** Porter un masque facial ou respiratoire si le travail produit de la poussière. Le respect de cette règle réduira les risques de blessures graves.
- **Si le cordon d'alimentation est endommagé,** il doit être remplacé uniquement pas le fabricant ou par un centre de réparation agréé pour éviter tout risque.
- **Conserver ces instructions.** Les consulter fréquemment et les utiliser pour instruire les autres utilisateurs éventuels. Si cet outil est prêté, il doit être accompagné de ces instructions.

# SYMBOLES

Les termes de mise en garde suivants et leur signification ont pour but d'expliquer le degré de risques associé à l'utilisation de ce produit.

SYMBOLE	SIGNAL	SIGNIFICATION
	<b>DANGER :</b>	Indique une situation dangereuse qui, si elle n'est pas évitée, aura pour conséquences des blessures graves ou mortelles.
	<b>AVERTISSEMENT :</b>	Indique une situation dangereuse qui, si elle n'est pas évitée, pourrait entraîner des blessures graves ou mortelles.
	<b>ATTENTION :</b>	Indique une situation dangereuse qui, si elle n'est pas évitée, pourrait entraîner des blessures légères ou de gravité modérée.
	<b>AVIS :</b>	(Sans symbole d'alerte de sécurité) Indique les informations jugées importantes sans toutefois représenter un risque de blessure (ex. : messages concernant les dommages matériels).


Certains des symboles ci-dessous peuvent être utilisés sur produit. Veiller à les étudier et à apprendre leur signification. Une interprétation correcte de ces symboles permettra d'utiliser produit plus efficacement et de réduire les risques.

SYMBOLE	NOM	DÉSIGNATION / EXPLANATION
	Symbole d'alerte de sécurité	Indique un risque de blessure potentiel.
	Lire manuel d'utilisation	Pour réduire les risques de blessures, l'utilisateur doit lire et veiller à bien comprendre le manuel d'utilisation avant d'utiliser ce produit.
	Protection oculaire	Toujours porter une protection oculaire avec écrans latéraux certifiée conforme à la norme ANSI Z87.1.
	Avertissement concernant l'humidité	Ne pas exposer à la pluie ou l'humidité.
	Risque d'éclatement	Ne pas régler le détendeur pour obtenir une pression de sortie supérieure à la pression nominale de l'accessoire utilisé. Ne pas utiliser une pression de plus de 1034 kPa (150 PSI).
	Risque d'incendie ou d'explosion	Ne pas vaporiser de liquides inflammables dans un endroit confiné. La zone de pulvérisation doit être bien ventilée. Ne pas fumer pendant la pulvérisation ou pulvériser en présence de flammes. Garder les compresseurs le plus loin possible des zones de pulvérisation, au moins à 6,1 m (20 pi) de la zone de pulvérisation et de toutes vapeurs explosives.
	Risque de choc électrique	Tension dangereuse : Débrancher de la prise secteur avant de faire des réparations. Le compresseur doit être mis à la terre.
	Surface brûlante	Pour éviter les risques de blessures ou de dommages, éviter tout contact avec les surfaces brûlantes.
	Risques d'inhalation	L'air sortant directement du compresseur ne doit jamais être utilisé pour la respiration.

# SYMBOLES

---

Certains des symboles ci-dessous peuvent être utilisés sur produit. Veiller à les étudier et à apprendre leur signification. Une interprétation correcte de ces symboles permettra d'utiliser produit plus efficacement et de réduire les risques.

SYMBOL	NAME	DESIGNATION/EXPLANATION
V	Volts	Tension
A	Ampères	Intensité
Hz	Hertz	Fréquence (cycles par seconde)
~	Courant alternatif	Type de courant
	Construction de classe II	Construction à double isolation

## DANGER :

Ce compresseur / pompe n'est pas équipé et ne doit pas être utilisé pour fournir de l'air de qualité respirable. Un équipement supplémentaire est nécessaire pour filtrer et purifier l'air conformément aux spécifications minimum d'air respirable de qualité D G 7.1 - 1966, OSHA 29 CFR 1910. 134 de la Compressed Gas Association, 4221 Walney Road, Fifth Floor, Chantilly, VA 20151-2923, (703) 788-2700, [www.cganet.com](http://www.cganet.com). Un tel équipement n'a pas été examiné et nulle implication d'utilisation propre pour l'air respirable n'est prévue ou implicite.

Si ce compresseur est modifié de quelque manière que ce soit, les garanties en vigueur seront déclarées nulles et non avenues. RIDGID® et One World Technologies, Inc., déclineront toute responsabilité pour les pertes, blessures et dommages résultant de son utilisation.

### EXONÉRATION DE GARANTIES

Si ce compresseur est utilisé pour des applications d'air respirable sans un système de sécurité et d'alarme approprié, les garanties en vigueur seront déclarées nulles et non avenues et RIDGID® déclinera toute responsabilité pour les pertes, blessures et dommages résultant de son utilisation.

---

# CARACTÉRISTIQUES ÉLECTRIQUES

## CORDONS PROLONGATEURS

Utiliser exclusivement des cordons prolongateurs à 3 fils dotés d'une fiche à prise de terre branchés sur une prise triphasée compatible avec la fiche de l'outil. Lors de l'utilisation du compresseur à grande distance d'une prise secteur, veiller à utiliser un cordon prolongateur d'une capacité suffisante pour supporter l'appel de courant de l'outil. Un cordon de capacité insuffisante causerait une baisse de la tension de ligne, entraînant une perte de puissance et une surchauffe. Se reporter au tableau ci-dessous pour déterminer le calibre minimum de fil requis pour un cordon donné. Utiliser exclusivement des cordons à gaine cylindrique homologués par Underwriter's Laboratories (UL).

\*\*Intensité nominale (sur la plaquette signalétique du compresseur)

Longueur du cordon	Calibre de fil (A.W.G.)					
	0-2.0	2.1-3.4	3.5-5.0	5.1-7.0	7.1-12.0	12.1-16.0
25'	16	16	16	16	14	14
50'	16	16	16	14	14	12
100'	16	16	14	12	10	—

\*\*Utilisé sur circuit de calibre 12 – 20 A

**NOTE :** AWG = American Wire Gauge

Pour les travaux à l'extérieur, utiliser un cordon prolongateur spécialement conçu à cet effet. La gaine des cordons de ce type porte l'inscription « W-A » ou « W ».

Avant d'utiliser un cordon prolongateur, vérifier que ses fils ne sont ni détachés ni exposés et que son isolation n'est ni coupée, ni usée.

### **AVERTISSEMENT :**

Maintenir le cordon prolongateur à l'écart de la zone de travail. Lors du travail avec un cordon électrique, placer le cordon de manière à ce qu'il ne risque pas de se prendre dans les pièces de bois, outils et autres obstacles. Ne pas prendre cette précaution peut entraîner des blessures graves.

### **AVERTISSEMENT :**

Vérifier l'état des cordons prolongateurs avant chaque utilisation. Remplacer immédiatement tout cordon endommagé. Ne jamais utiliser un compresseur dont le cordon d'alimentation est endommagé, car tout contact avec la partie endommagée pourrait causer un choc électrique et des blessures graves.

## CONNEXION ÉLECTRIQUE

Ce compresseur est équipé d'un moteur électrique de précision. Il doit être branché uniquement sur une **alimentation 120 V, c.a. (courant résidentiel standard), 60 Hz**. Ne pas utiliser cet outil sur une source de courant continu (c.c.). Une chute de tension importante causerait une perte de puissance et une surchauffe du moteur. Si le compresseur ne fonctionne pas une fois branché, vérifier l'alimentation électrique.

## VITESSE ET CÂBLAGE

La vitesse à vide de ce compresseur est d'environ 18 000 r/min. La vitesse n'est pas constante et elle diminue sous une charge ou en présence d'une baisse de tension. Le câblage de l'atelier est aussi important que la puissance nominale du moteur. Une ligne conçue seulement pour l'éclairage ne peut pas alimenter correctement le moteur d'un outil électrique. Un fil électrique d'une capacité suffisante pour une courte distance ne le sera pas nécessairement pour une distance plus longue. Une ligne dont la capacité est suffisante pour un outil électrique ne l'est pas nécessairement pour deux ou trois.

## INSTRUCTIONS DE MISE À LA TERRE

Voir la figure 1, page 15.

En cas de problème de fonctionnement ou de panne, la mise à la terre fournit un chemin de résistance au courant électrique, pour réduire le risque de choc électrique. Ce compresseur est équipé d'un cordon électrique avec conducteur et fiche de mise à la terre. Le cordon doit être branché sur une prise correctement installée et mise à la terre conformément à tous les codes et réglementations locaux en vigueur.

Ne pas modifier la fiche fournie. Si elle ne peut pas être insérée dans la prise secteur, faire installer une prise adéquate par un électricien qualifié.

### **AVERTISSEMENT :**

L'usage d'un cordon prolongateur incorrect peut présenter des risques de choc électrique. Si le cordon doit être réparé ou remplacé, ne pas connecter le fil de terre de l'outil sur une borne sous tension. Le fil à gaine verte, avec ou sans traceur jaune est le fil de terre.

Consulter un électricien qualifié ou le personnel de service si les instructions de mise à la terre ne sont pas bien comprises, ou en cas de doute au sujet de la mise à la terre.

Tout cordon endommagé doit être réparé ou remplacé immédiatement.

Ce compresseur est conçu pour être branché sur un circuit comportant une prise telle que celle montrée à la figure 2, page 14. Sa fiche est dotée d'une broche de terre semblable à celle représentée. Ce produit peut être mis à la terre.

# GLOSSAIRE

---

## Filtre à air

Élément poreux contenu dans un boîtier en métal ou plastique, monté sur la culasse du compresseur pour débarrasser l'air d'alimentation de toutes ses impuretés.

## Réservoir d'air

Composant cylindrique contenant l'air comprimé.

## Soupape antiretour

Dispositif empêchant l'air comprimé contenu dans le réservoir de retourner à la pompe.

## PCM (Pieds Cubes Minute) ou PCSM (Pieds Cubes Standard Minute)

Unité de mesure du débit d'air.

## Disjoncteur de circuit

Arrête automatiquement le compresseur lorsque la température du moteur électrique dépasse une limite prédéterminée.

## Pression d'arrêt

Pression à laquelle le moteur s'arrête automatiquement.

## Pression de déclenchement

Pression à laquelle le moteur se remet en marche.

## Moteur électrique

Dispositif produisant la force rotative nécessaire pour actionner la pompe du compresseur.

## Commutateur de marche/arrêt automatique

Commande pour démarrer ou éteindre le compresseur d'air. Le manostat ne fait pas automatiquement la mise en marche du moteur et la commande de pression sauf si le commutateur automatique marche/arrêt est en position de **MARCHE AUTOMATIQUE**.

## NPT – National Pipe Thread

Un ruban d'étanchéité de filetage doit être utilisé sur tous les raccords filetés, pour empêcher les fuites.

## Bouton de régulation de pression

Permet de contrôler la pression d'alimentation de l'outil. La rotation du bouton dans un sens ou dans l'autre augmente ou réduit la pression d'air.

## Manostat

Commande automatiquement la mise en marche et l'arrêt du moteur du compresseur. Il arrête le compresseur lorsque la pression maximum du réservoir est atteinte et le remet en marche une fois que la pression est parvenue au minimum.

## Livres par pouce carré (PSI)

Mesure de la pression exercée par la force de l'air. La pression est indiquée par un manomètre monté sur le compresseur.

## Pompe

Produit l'air comprimé au moyen d'un piston alternatif à l'intérieur du cylindre.

## Manomètre de détendeur

Indique la pression de ligne. La pression de ligne se règle au moyen du bouton de commande du détendeur.

## Soupape de sûreté

Empêche la pression d'air du réservoir de dépasser une limite prédéterminée.

## Manomètre de réservoir

Indique la pression d'air à l'intérieur du réservoir.

# CARACTÉRISTIQUES

---

## FICHE TECHNIQUE

Contenance du réservoir d'air..... 56,8 L (15 gal)  
Pression d'air..... 1379 kPa (200 psi) max.  
Débit d'air..... 5,1 CFM à 90 psi  
Testé par ISO1217

Manomètres ..... 51 mm (2 po) de diamètre  
Alimentation..... 120 V, c.a. seulement, 60 Hz, 14.5 A  
Cycle de service ..... 10 min en marche/10 min d'arrêt

# ASSEMBLAGE

---

## DÉBALLAGE

Ce produit nécessite un assemblage.

- Avec précaution, sortir l'outil et les accessoires de la boîte. Tous les articles énumérés sous **Inclut** doivent se trouver dans l'emballage au moment de l'achat.
- 

## AVERTISSEMENT :

Certaines pièces figurant dans cette section *Assemblage* n'ont pas été installées sur le produit par le fabricant et exigent une installation du client. Le fait d'utiliser un produit qui a été assemblé de façon inadéquate peut entraîner des blessures.

---

- Si des pièces manquent ou sont endommagées, appeler le 1-866-539-1710.
- 

## AVERTISSEMENT :

Si des pièces manquent ou sont endommagées, ne pas utiliser cet outil avant qu'elles aient été remplacées. Le non-respect de cet avertissement pourrait entraîner des blessures graves.

---

## AVERTISSEMENT :

Ne pas essayer de modifier cet outil ou de créer des accessoires non recommandés pour l'outil. De telles altérations ou modifications sont considérées comme un usage abusif et peuvent créer des conditions dangereuses, risquant d'entraîner des blessures graves.

---

## AVERTISSEMENT :

Pour empêcher un démarrage accidentel pouvant entraîner des blessures graves, toujours déconnecter le fil de bougie de moteur de la bougie d'allumage avant d'assembler des pièces.

---

## LISTE DES PIÈCES DÉTACHÉE

Voir la figure 2, page 16.

Les articles suivants sont inclus avec le compresseur d'air :

No de Pièce	Description	Qté.
1	Boulon de l'essieu .....	2
2	Rondelle frein.....	2
3	Roue .....	2
4	Goupille d'attelage .....	2
	Manuel d'utilisation (pas illustré) .....	1

## INSTALLATION DES ROUES

Voir la figure 3, page 15.

**NOTE :** Ne pas brancher le compresseur d'air à une alimentation électrique au moment d'installer les roues. S'assurer que la pression dans le réservoir est de 0 psi.

- Placer le compresseur tel qu'illustré, c'est-à-dire, au sol ou sur une surface stable avec les manomètres face au sol.
- Insérer un essieu dans un des pneus. Ajouter une rondelle, tel qu'illustré. Glisser une goupille d'attelage dans le trou du boulon.
- Installer le deuxième pneu. S'assurer que les deux pneus sont fixés solidement avant d'utiliser le produit.
- Placer le compresseur d'air en position debout.

# UTILISATION

---

## **DANGER :**

Ne pas retirer la soupape antiretour, les robinets de vidange ou la soupape de sûreté lorsque le réservoir contient de l'air - purger le réservoir. Ne pas dépressuriser le réservoir représente un risque d'explosion et de blessures graves.

---

## **AVERTISSEMENT :**

Ne pas laisser la familiarité avec l'outil faire oublier la prudence. Ne pas oublier qu'une fraction de seconde d'inattention peut entraîner des blessures graves.

---

## **AVERTISSEMENT :**

Toujours porter une protection oculaire avec écrans latéraux certifiée conforme à la norme ANSI Z87.1. Si cette précaution n'est pas prise, des objets peuvent être projetés dans les yeux et causer des lésions graves.

---

## **AVERTISSEMENT :**

Ne pas utiliser d'outils ou accessoires non recommandés par le fabricant de ce produit. L'utilisation de pièces et accessoires non recommandés peut entraîner des blessures graves.

---

## **AVERTISSEMENT :**

Ce produit comporte des pièces telles que des interrupteurs à ressort, qui ont tendance à produire des arcs ou des étincelles. Par conséquent, lorsque la machine est utilisée dans un garage, elle doit être placée à 460 mm (18 po) au-dessus du sol, dans une enceinte ou un local séparé.

---

## **AVERTISSEMENT :**

Ne pas brancher d'outil pneumatique sur l'extrémité libre du flexible avant que la mise en route soit achevée.

---

## **AVIS :**

Ne pas utiliser dans des endroits poussiéreux ou autrement contaminés. Le compresseur peut être endommagé s'il est utilisé dans de tels environnements.

---

## **AVIS :**

Le câblage de la prise et la longueur de tous les cordons prolongateurs utilisés sont des facteurs importants pour le fonctionnement de ce produit. Le câblage dédié à l'éclairage n'est pas adapté au moteur du compresseur d'air et un câble dont le calibre est suffisant pour une courte distance peut être insuffisant pour une plus longue distance. Avant d'utiliser ce produit, s'assurer que le câblage de la prise est approprié pour l'utilisation du compresseur d'air et que la longueur et le calibre de tous les cordons prolongateurs utilisés sont adaptés au fonctionnement de ce compresseur d'air.

---

## **APPLICATIONS**

Les compresseurs d'air sont utilisés pour diverses applications. Les capacités nominales des flexibles, outils pneumatiques et accessoires doivent correspondre à celle du compresseur.

Ce produit peut être utilisé pour les applications ci-dessous :

- Utilisation de certains outils pneumatiques
- Alimentation d'accessoires pneumatiques tels que buses à air et raccords de gonfleurs de pneus de voiture

## **RACCORD ET DÉBRANCHEMENT DU TUYAU D'AIR (NON INCLUS)**

*Voir la figure 4, page 16.*

---

## **AVERTISSEMENT :**

Ne jamais dépasser la pression nominale de l'outil aérien tel que recommandé par le fabricant. Lorsque vous utilisez ce compresseur d'air comme un dispositif de gonflage, toujours suivre les directives d'inflation maximale indiquée par le fabricant de l'élément étant gonflé.

---

- S'assurer que le compresseur est éteint et débranché.
- Le haut tirer le bouton de régulateur puis tourner complètement le bouton dans le sens antihoraire pour garantir que la pression d'air à la sortie est à zéro (0) psi. Rabaisser le bouton de régulateur pour la verrouiller.
- Brancher le flexible muni du connecteur mâle sur le raccord universel du compresseur. Assurer se pousser la fin d'adaptateur de tuyau entièrement dans l'attelage jusqu'à ce que les printemps de manche expédient pour le verrouiller à sa place.

## **Pour débrancher un tuyau à air ou un outil pneumatique :**

- S'assurer que la pression d'alimentation est de 0 psi.
- Lors du débranchement d'un tuyau du coupleur rapide de 6,35 mm (1/4 po), toujours tenir fermement l'extrémité libérée du tuyau.

# UTILISATION

---

- Pousser vers l'arrière le manchon de relâchement sur le coupleur rapide de 6,35 mm (1/4 po).
- En le tenant fermement, retirer le raccord à connexion rapide du coupleur rapide.

## PÉRIODE DE RODAGE

Avant la première utilisation, faire fonctionner le compresseur d'air en réglant la pression d'air du réservoir à zéro et en ouvrant complètement les valves de purge pendant 30 minutes.

## METTRE LE COMPRESSEUR EN POSITION MARCHÉ ET D'ARRÊT

Voir la figure 5, page 16.

- Avec le compresseur d'air a branché sur, déplacer le commutateur de marche/arrêt automatique à la position **MARCHE AUTOMATIQUE** pour démarrer le compresseur.
- Pour éteindre le compresseur d'air, déplacer le commutateur de marche/arrêt automatique à la position **ARRÊT**.

**NOTE:** Quand le compresseur est dans la position **MARCHE AUTOMATIQUE**, le compresseur d'air fera demi-tour automatiquement sur quand la pression atmosphérique de réservoir désignée tombe au dessous du règle à l'avance de la limite de pression. Il éteindra aussi encore quand la pression désirée est atteinte.

---

### **AVERTISSEMENT :**

Ne jamais dépasser la capacité de pression recommandée par le fabricant pour cet outil pneumatique. Au moment d'utiliser ce compresseur d'air comme dispositif de gonflage, respecter les instructions de gonflage maximal prescrites par le fabricant de l'article à gonfler.

---

### **AVERTISSEMENT :**

Toujours s'assurer que l'interrupteur est réglé à la position **ARRÊT** et que le manomètre du régulateur indique zéro avant de changer les outils pneumatiques ou de débrancher le tuyau de la sortie d'air. L'inobservation de cette règle peut entraîner des blessures graves.

---

## UTILISATION DU COMPRESSEUR

Voir les figures 6 et 7, page 16 et 17.

---

### **AVERTISSEMENT :**

**Risque d'éclatement.** Ne pas ajuster le bouton de régulation de pression pour une pression de sortie supérieure à la pression maximale indiquée sur l'accessoire utilisé ou sur l'article gonflé. La pression ne doit jamais dépasser 1 034 kPa (150 psi). Le non-respect de cet avertissement pourrait entraîner des blessures graves ou mortelles.

---

---

### **AVERTISSEMENT :**

La consommation d'air de l'outil peut être supérieure à la capacité de ce compresseur. Consulter le manuel de l'outil pour éviter des dommages ou des blessures.

---

- S'assurer que le commutateur de marche/arrêt automatique est en position d'**ARRÊT** et que le compresseur est débranché.
- Fixer le flexible en suivant les instructions du chapitre **Connexion et débrancher d'un tuyau à air** (tuyau non fourni).
- Installer le raccord mâle NPT 6,4 mm (1/4 po) sur l'outil ou l'accessoire à utiliser.
- Engager l'autre extrémité du raccord mâle sur le raccord rapide de l'extrémité libre du flexible.
- Brancher le cordon d'alimentation sur une prise secteur.
- Déplacer le commutateur de marche/arrêt automatique à la position **MARCHE AUTOMATIQUE**
- Réguler la quantité de pression d'air désirée avec le bouton de régulateur de pression. Tirez le bouton puis tourner vers la droite pour augmenter ou vers la gauche pour diminuer la pression d'air à livrer par le flexible. Lorsque la pression désirée est réglée, appuyez le bouton pour verrouiller.

**NOTE :** Toujours utiliser la pression minimale requise pour l'application. Le fait d'utiliser inutilement une pression plus élevée purge l'air du réservoir plus rapidement et fait en sorte que le compresseur s'enclenche plus fréquemment.

- L'outil pneumatique peut maintenant être utilisé en respectant toutes les instructions de ce manuel et du manuel de l'outil.

**NOTE :** Le compresseur d'air s'arrêtera lors d'une surcharge électrique. Pour pouvoir enclencher à nouveau le disjoncteur de surcharge interne, débrancher le compresseur d'air et laisser refroidir l'appareil.



# UTILISATION

---

- Une fois l'opération terminée, toujours vider le réservoir et débrancher l'unité. Ne jamais laisser l'unité sans surveillance si celle-ci est branchée ou si elle fonctionne.

## VÉRIFICATION DE LA SOUPAPE DE SÛRETÉ

Voir les figures 8, page 17.

---

### DANGER :

Ne pas essayer de modifier la soupape de sûreté. Toute pièce desserrée de cette soupape risquerait d'être projetée et de blesser quelqu'un. Le non-respect de cet avertissement pourrait entraîner des blessures graves ou mortelles.

---

La soupape de sûreté est conçue pour relâcher automatiquement la pression si elle dépasse le maximum prédéterminé. La soupape doit être nettoyée avant chaque journée d'utilisation en tirant sur son anneau.

- Mettre le compresseur en marche et laisser le réservoir se remplir. Le moteur du compresseur s'arrête une fois que la pression est parvenue au maximum prédéterminé.
- Arrêter le compresseur.
- Tirer la bague qui se trouve sur la valve de sécurité afin de d'évacuer de l'air pendant 3 à 5 secondes afin de libérer de l'air comprimé. Relâcher la bague. La valve de relâchement de sécurité doit être réarmée et maintenir la pression avant que tout l'air comprimé ne soit évacué du réservoir/réceptacle à pression.
- Toute perte d'air après l'exécution de ces étapes indique un problème avec la valve de sécurité. Cesser l'utilisation et effectuer l'entretien avant de continuer d'utiliser le compresseur d'air.

---

### AVERTISSEMENT :

Si de l'air s'échappe une fois que l'anneau a été relâché ou si la soupape est bloquée et ne peut pas être actionnée par l'anneau, ne plus utiliser le compresseur jusqu'à ce que la soupape ait été remplacée. L'utilisation du compresseur avec une soupape de sûreté défectueuse peut entraîner des blessures graves.

---

## PURGE DES RÉSERVOIRS

Voir les figures 8 et 9, page 17.

Pour éviter la corrosion de l'intérieur du réservoir et la présence d'humidité dans l'air utilisé, le réservoir du compresseur doit être purgé quotidiennement.

### Pour purge de réservoirs :

- Mettre le commutateur en position d'arrêt et débrancher la fiche de la source d'alimentation.
- Tire l'anneau sur la soupape de soulagement de pression pour relâcher jusqu'à ce que fait pression sur la jauge lit moins que 20 psi par pouce carré.
- Relâche l'anneau.
- Tourner sur 90° vers la le robinet de purge en le tournant vers la droite à la position ouvert.
- Le réservoir de pente de n pour drainer l'humidité du réservoir dans un récipient convenable.  
**NOTE :** Les condensats sont polluants et doivent être éliminé conformément aux réglementations locales.
- Si le robinet de purge est obstrué, relâche toute pression atmosphérique, enlever et nettoyer des soupapes, alors réinstaller.

---

### AVERTISSEMENT :

Débrancher le compresseur et évacuer complètement l'air des réservoirs avant de procéder à tout entretien. Ne pas relâcher la pression du réservoir avant d'essayer de retirer le robinet de purge peut entraîner des blessures graves.

- 
- Tourner sur 90° vers la le robinet de purge en le tournant vers la droite à la position fermé.

---

### AVERTISSEMENT :

**RISQUE D'ÉCLATEMENT.** Tous les réservoirs d'air comprimé ont une durée de vie utile limitée. La durée de vie utile peut être compromise par plusieurs facteurs incluant les conditions de fonctionnement du compresseur d'air, un entretien inadéquat du réservoir, des réparations ou modifications non autorisées. Parce qu'une détérioration du réservoir peut survenir sans indice extérieur, les réservoirs d'air de ce compresseur DOIVENT être mis hors service à la fin de l'année indiquée sur l'étiquette de renseignements. L'utilisation du compresseur d'air après cette date augmente le risque de rupture du réservoir d'air et représente un risque de blessures graves.

---

# ENTRETIEN

---

## **AVERTISSEMENT :**

Toujours relâcher complètement la pression, débrancher le compresseur et le laisser refroidir avant de le nettoyer ou d'effectuer des entretiens ou réparations.

---

## **AVERTISSEMENT :**

Toujours porter une protection oculaire avec écrans latéraux certifiée conforme à la norme ANSI Z87.1. Si cette précaution n'est pas prise, des objets peuvent être projetés dans les yeux et causer des lésions graves.

---

## **AVERTISSEMENT :**

Toujours relâcher complètement la pression, débrancher le compresseur et le laisser refroidir avant de le nettoyer ou d'effectuer des entretiens ou réparations.

---

## **ENTRETIEN GÉNÉRAL**

Éviter d'utiliser des solvants pour le nettoyage des pièces en plastique. La plupart des matières plastiques peuvent être endommagées par divers types de solvants du commerce. Utiliser un chiffon propre pour éliminer la saleté, la poussière, l'huile, la graisse, etc.

---

## **AVERTISSEMENT :**

Ne jamais laisser de liquides tels que le fluide de freins, l'essence, les produits à base de pétrole, les huiles pénétrantes, etc., entrer en contact avec les pièces en plastique. Les produits chimiques peuvent endommager, affaiblir ou détruire le plastique, ce qui peut entraîner des blessures graves.

---

## **LUBRIFICATION**

Tous les roulements de cet outil sont enduits d'une quantité suffisante de lubrifiant de haute qualité pour la durée de vie de l'outil, dans des conditions d'utilisation normales. Aucune autre lubrification n'est donc nécessaire.

## **REPLACEMENT DU CORDON D'ALIMENTATION**

S'il y a lieu, le cordon d'alimentation doit être remplacé par un centre de réparation agréé afin d'éviter tout risque.

## **RÉINSTALLATION DU FILTRE À AIR**

*Voir la figure 10, page 17.*

- Appuyer et tourner le couvercle du filtre à air dans le sens anti-horaire pour enlever le filtre à air et le ensemble de filtre à air.
- Tenir les languettes du couvercle du filtre à air et tirer en éloignant du logement.
- Retirer le filtre à air.
- Installer le filtre à air neuf.
- Réinstaller le couvercle du filtre à air en alignant les languettes et en appuyant sur le logement jusqu'à ce qu'il s'enclenche en place.
- Replacer le ensemble de filtre à air dans le compresseur en tournant dans le sens horaire. Ne pas serrer excessivement.

## **DÉPLACEMENT DU COMPRESSEUR D'AIR**

*Voir la figure 11, page 17.*

- S'assurer que le compresseur est éteint.
- Le pied sur l'arrière du cadre, incliner la machine vers soi, jusqu'à ce qu'elle soit en équilibre sur les roues, puis rouler la machine à l'endroit désiré.

## **REMISAGE LE COMPRESSEUR D'AIR**

*Voir la figure 12, page 17.*

- Débrancher le compresseur.
- Débrancher la tuyau flexible à air et outil pneumatique de l'outil.
- Évacuer l'air des réservoirs conformément aux directives.
- Nettoyer complètement le compresseur et tous les accessoires.
- Enrouler le cordon d'alimentation autour de la poignée et du moteur, comme illustré. L'assujettir avec le clip de cordon.

## **TRANSPORT LE COMPRESSEUR D'AIR**

*Voir la figure 13, page 17.*

- Débrancher le compresseur.
- Débrancher la tuyau flexible à air et outil pneumatique de l'outil.
- Évacuer l'air des réservoirs conformément aux directives.
- Si vous transportez le compresseur d'air en position verticale, assurez-vous qu'il est bien fixé pour éviter tout basculement.

# DÉPANNAGE

PROBLEME	CAUSE POSSIBLE	SOLUTION
Le moteur du compresseur ne tourne pas	<p>Perte d'alimentation ou surchauffe</p> <p>Pas d'alimentation électrique</p> <p>Fusible du circuit d'alimentation grillé</p> <p>Disjoncteur du circuit d'alimentation déclenché</p> <p>Manostat défectueux</p> <p>Le réservoir est rempli d'air</p> <p>Le disjoncteur de surcharge interne est déclenché</p>	<p>S'assurer que le cordon prolongateur est de type correct</p> <p>Vérifier que la machine est branchée ; Examiner les fusibles/disjoncteurs</p> <p>Remplacer le fusible grillé</p> <p>Réarmer le disjoncteur et déterminer la cause du problème</p> <p>Confier le compresseur à un centre de réparations</p> <p>Le compresseur se met en marche lorsque la pression atteint le minimum</p> <p>Débrancher le compresseur et laisser refroidir l'appareil</p>
Le moteur ronfle mais ne tourne pas ou tourne lentement	<p>Tension insuffisante</p> <p>Calibre ou longueur de prolongateur incorrect</p> <p>Enroulement de moteur ouvert ou court-circuité</p> <p>Soupape antiretour ou de décharge défectueuse</p>	<p>Use compressor on outlet with sufficient voltage</p> <p>Vérifier le calibre et la longueur du prolongateur</p> <p>Confier le compresseur à un centre de réparations</p> <p>Confier le compresseur à un centre de réparations</p>
Le disjoncteur de surcharge interne se déclenche continuellement	<p>Tension insuffisante</p> <p>Ventilation insuffisante/température du local trop élevée</p> <p>Calibre ou longueur de prolongateur incorrect</p>	<p>Brancher le compresseur à une prise possédant la tension adéquate</p> <p>Emmener le compresseur à un endroit bien aéré</p> <p>Vérifier le calibre et la longueur du prolongateur</p>
La pression du réservoir baisse lorsque le moteur du compresseur s'arrête	<p>Branchements desserrés (raccords, flexible, etc.)</p> <p>Robinet de soupape de vidange/ouvrir la soupape de vidange</p> <p>Fuite à la soupape antiretour</p>	<p>Vérifier tous les branchements avec de l'eau savonneuse et les serrer selon le besoin</p> <p>Serrer le soupape de vidange/fermer la soupape de vidange</p> <p>Confier le compresseur à un centre de réparations</p> <hr/> <p><b>⚠ DANGER :</b></p> <p>Ne pas retirer la soupape antiretour, les robinets de vidange ou la soupape de sûreté lorsque le réservoir contient de l'air - purger le réservoir.</p> <hr/>
Air de sortie trop humide	<p>Excédent d'eau dans le réservoir</p> <p>Humidité excessive</p>	<p>Purger le réservoir</p> <p>Emmener le compresseur à un endroit moins humide, utiliser un filtre à air en ligne</p>
Le moteur du compresseur tourne continuellement	<p>Manostat défectueux</p> <p>Consommation d'air excessive</p> <p>Les sonneries de piston sont portées</p>	<p>Confier le compresseur à un centre de réparations</p> <p>Réduire la consommation d'air. Le compresseur n'est pas assez puissant pour l'outil utilisé</p> <p>Remplacer les sonneries de piston ; le service clients d'Appel pour l'assistance</p>
Débit d'air inférieur à la normale	<p>Soupapes d'entrée brisées</p> <p>Fuites aux raccords</p>	<p>Confier le compresseur à un centre de réparations</p> <p>Serrer les raccords</p>

## NOTE : ILLUSTRATIONS COMMENÇANT SUR 15 DE PAGE APRÈS LE SECTION ESPAGNOL.

**Ce produit est accompagné d'une politique de satisfaction de 90 jours et d'une garantie limitée de trois (3) ans. Pour obtenir les détails de la garantie et de la politique, visiter le site [www.RIDGID.com](http://www.RIDGID.com) ou appeler (sans frais) au 1-866-539-1710.**

# REGLAS DE SEGURIDAD GENERALES

## ADVERTENCIA:

Lea y comprenda todas las instrucciones. El incumplimiento de las instrucciones señaladas abajo puede causar descargas eléctricas, incendios y lesiones serias.

## GUARDE ESTAS INSTRUCCIONES

### ÁREA DE TRABAJO

- **Mantenga limpia y bien iluminada el área de trabajo.** Una mesa de trabajo mal despejada y una mala iluminación son causas comunes de accidentes. El piso debe no estar resbaloso debido a la presencia de cera o polvo.
- **No utilice el compresor de aire en atmósferas explosivas, como las existentes alrededor de líquidos, gases y polvos inflamables.** Las herramientas eléctricas generan chispas que pueden encender el polvo y los vapores inflamables.
- **Mantenga alejados a los circunstantes, niños y demás presentes al utilizar el compresor de aire.** Toda distracción puede causar la pérdida del control de la herramienta.
- **Utilice el compresor de aire en un área abierta por lo menos a 457 mm (18 pulg.) de cualquier pared u objeto que pudiera restringir el flujo de aire fresco a las aberturas de ventilación.**

### SEGURIDAD ELÉCTRICA

- **Evite el contacto del cuerpo con las superficies de objetos conectados a tierra, como las tuberías, radiadores, estufas y refrigeradores.** Existe un mayor riesgo de descargas eléctricas si el cuerpo está en contacto con tierra.
- **No exponga el compresor de aire a la lluvia ni a condiciones de humedad.** La introducción de agua en una herramienta eléctrica aumenta el riesgo de descargas eléctricas.
- **No maltrate el cordón eléctrico. Nunca use el cordón eléctrico para portar la herramienta ni para sacar la clavija de una toma de corriente. Mantenga el cordón lejos del calor, aceite, bordes afilados y piezas móviles. Cambie de inmediato todo cordón eléctrico dañado.** Los cordones eléctricos dañados aumentan el riesgo de descargas eléctricas.
- **Al utilizar el compresor de aire en el exterior, utilice un cordón eléctrico de extensión que lleve las marcas "W-A" o "W".** Estos cordones eléctricos están aprobados para el uso en el exterior y reducen el riesgo de descargas eléctricas.

### SEGURIDAD PERSONAL

- **Al cargar, utilizar y dar servicio a esta herramienta, el operador y demás personas SIEMPRE deben llevar puesta protección ocular que cumpla con las especificaciones ANSI y ofrezca protección contra partículas que salgan disparadas del FRENTE y de los LADOS.** Se requiere protección ocular como protección

contra sujetadores y desechos que salgan disparados, los cuales pueden causar lesiones oculares serias.

- **Tanto el patrón como el operador deben asegurarse de que se use protección ocular adecuada.** Recomendamos una careta protectora de visión amplia encima de los anteojos normales o de los anteojos de seguridad que ofrecen protección frontal y lateral contra partículas que salen disparadas. Siempre póngase protección ocular con la marca de cumplimiento de la norma ANSI Z87.1.
- **En algunos entornos se requiere protección adicional.** Por ejemplo, en el área de trabajo puede haber exposición a un nivel de ruido que puede dañar el oído. El patrón y el operador deben asegurarse de contar con toda la protección auditiva necesaria y de que sea usada por el operador mismo y demás personas presentes en el área de trabajo. En algunos entornos se requiere el uso de equipo de protección para la cabeza. Cuando se requiera, el patrón y el operador deben asegurarse de que la protección usada para la cabeza lleve la marca de cumplimiento con la norma ANSI Z89.1.
- **Permanezca alerta, preste atención a lo que esté haciendo, y aplique el sentido común al utilizar herramientas eléctricas. No utilice la herramienta si está cansado o se encuentra bajo los efectos de alguna droga, alcohol o medicamento.** Un momento de inatención al utilizar una herramienta eléctrica puede causar lesiones corporales serias.
- **Vístase adecuadamente. No vista ropas holgadas ni joyas. Recójase el cabello si está largo. Mantenga el cabello, la ropa y los guantes alejados de las piezas móviles.** Las ropas holgadas, las joyas y el cabello largo pueden engancharse en las piezas móviles.
- **No estire el cuerpo para alcanzar mayor distancia. Mantenga una postura firme y buen equilibrio en todo momento.** La postura firme y el buen equilibrio permiten un mejor control de la herramienta en situaciones inesperadas.
- **Use equipo de seguridad. Siempre póngase protección ocular.** Cuando lo exijan las circunstancias debe ponerse careta contra el polvo, zapatos de seguridad antiderrapantes, casco o protección auditiva.
- **No utilice la unidad al estar en una escalera o en un soporte inestable.** Una postura estable sobre una superficie sólida permite un mejor control de la herramienta en situaciones inesperadas.

### EMPLEO Y CUIDADO DEL COMPRESOR

- **No sobrepase la presión nominal de ningún componente del sistema.**
- **Proteja de daños y perforaciones los conductos de material y de aire.** Mantenga la manguera y el cordón de corriente lejos de objetos afilados, productos químicos derramados, aceite, solventes y pisos mojados.
- **Antes de usar la unidad revise las mangueras para ver muestran daños o desgaste, asegurándose de que estén seguras todas las conexiones.** No utilice

# REGLAS DE SEGURIDAD GENERALES

---

la unidad si encuentra algún defecto. Adquiera una manguera nueva o lleve la unidad a un centro de servicio autorizado para que la examinen y reparen.

- **Purgue lentamente todas las presiones internas del sistema.** El polvo y la basura pueden ser dañinos.
- **Guarde el compresor de aire que no estén en uso fuera del alcance de los niños y de toda persona no capacitada en el uso de las mismas.** Las herramientas son peligrosas en manos de personas no capacitadas en el uso de las mismas.
- **Dé mantenimiento con cuidado a compresor de aire.** Siga todas las instrucciones de mantenimiento. El compresor de aire que han recibido el debido mantenimiento se controlan con mayor facilidad.
- **Revise para ver si hay desalineación o atoramiento de piezas móviles, ruptura de piezas o toda otra condición que pueda afectar el funcionamiento de la herramienta. Si se daña la herramienta, llévela a servicio antes de volver a utilizarla.** Numerosos accidentes son causados por herramientas mal cuidadas.
- **Mantenga el exterior del compresor de aire seco, limpio y libre de aceite y grasa.** Siempre utilice un

pañó limpio para la limpieza de la unidad. Nunca utilice fluidos para frenos, gasolina, productos a base de petróleo ni solventes fuertes para limpiar la unidad. Con el cumplimiento de esta regla se reduce el riesgo de deterioro del alojamiento de plástico de la unidad.

## SERVICIO

- **Al dar servicio a una herramienta, sólo utilice piezas de repuesto idénticas. Siga las instrucciones señaladas en la sección *Mantenimiento* de este manual.** El empleo de piezas no autorizadas o el incumplimiento de las instrucciones de mantenimiento puede significar un riesgo de lesiones.
- **El servicio de la herramienta sólo debe ser efectuado por personal de reparación calificado.** Todo servicio o mantenimiento efectuado por personal no calificado puede significar un riesgo de lesiones.
- **Desconecte el suministro de corriente, abra la válvula de drenaje para purgar la presión del tanque y permitir que se drene el agua, y por último permita que se enfríe el compresor antes de darle servicio.** Gire la completamente a la izquierda la perilla de regulación de la presión antes de apagar el compresor.

# REGLAS DE SEGURIDAD ESPECÍFICAS

---

- **Familiarícese con su compresor de aire.** Lea cuidadosamente el manual del operador. Aprenda sus usos y limitaciones, así como los posibles peligros específicos de esta herramienta. Con el cumplimiento de esta regla se reduce el riesgo de una descarga eléctrica, incendio o lesión seria.
- **Después del uso de cada día, drene toda la humedad del tanque.** Si no va a utilizarse la unidad durante algún tiempo, es mejor dejar abierta la válvula de drenaje hasta cuando vuelva a usarse aquélla. De esta manera se permite drenar completamente la humedad y se impide la corrosión del interior del tanque.
- **Riesgo de estallido o explosión.** No aplique con pistola líquidos inflamables en áreas cerradas. El área de rociado debe estar bien ventilada. No fume mientras esté rociando con pistola, ni rocíe donde haya presentes chispas o flamas. Mantenga los compresores tan lejos del área de pin-tura y de vapores explosivos como sea posible, por lo menos a 6,1 m (20 pies).
- **Riesgo de estallido.** No ajuste el regulador para producir una presión de salida superior a la presión máxima marcada en el aditamento. No use una presión superior a 150 psi.
- **Si va a conectar este producto a un circuito protegido con fusibles, utilice fusibles con retardo de tiempo.**
- **Para reducir el riesgo de una descarga eléctrica** no exponga la unidad a la lluvia. Guarde la unidad en el interior.
- **Inspeccione anualmente el tanque para ver si tiene herrumbre, picaduras u otras imperfecciones que pudieran afectar la seguridad de la unidad.** Nunca suelde el tanque de aire ni perfore agujeros en el mismo.
- **Asegúrese de que la manguera no esté obstruida ni enganchada.** Si la manguera se enreda o engancha puede causar una pérdida del equilibrio o postura y puede dañarse.
- **Solamente utilice el compresor de aire para el propósito especificado. No altere ni modifique la unidad con respecto a su diseño y funcionamiento originales.**
- **Siempre tenga presente que el uso y manejo indebidos de esta producto puede causarles lesiones a usted y a otras personas.**
- **Nunca deje desatendida ninguna herramienta con la manguera de aire conectada.**
- **Nunca dirija la herramienta hacia usted u otras personas.**
- **No utilice esta herramienta si no tiene una etiqueta de advertencia.**
- **No continúe usando ninguna herramienta o manguera que tenga fugas de aire o que no funcione correctamente.**
- **Siempre desconecte el suministro de aire y el de corriente** antes de efectuar ajustes, dar servicio a la herramienta o cuando no esté usándose ésta.




# REGLAS DE SEGURIDAD ESPECÍFICAS

---










- **No intente tirar de la manguera ni acarrear el compresor tomándolo por la misma.**
- **Una herramienta determinada puede necesitar más aire del que este compresor es capaz de suministrar.**
- **Siempre siga todas las reglas de seguridad recomendadas por el fabricante de la herramienta de aire, además de todas las reglas de seguridad del compresor de aire.** Con el cumplimiento de esta regla se reduce el riesgo de lesiones serias.
- **Nunca dirija un chorro de aire comprimido hacia personas o animales. Tenga cuidado de no soplar polvo o tierra hacia sí u otras personas.** Con el cumplimiento de esta regla se reduce el riesgo de posibles lesiones serias.
- **No utilice este compresor de aire para rociar productos químicos.** Pueden resultar afectados los pulmones debido a la inhalación de emanaciones tóxicas. Puede ser necesario utilizar un respirador en entornos polvorientos o al rociar pintura. No acarree la unidad mientras esté pintando.
- **Inspeccione periódicamente los cordones eléctricos y las mangueras de las herramientas, y si están dañados, permita que los reparen en el centro de servicio autorizado más cercano de la localidad. Observe constantemente la ubicación del cordón eléctrico.** Con el cumplimiento de esta regla se reduce el riesgo de una descarga eléctrica o incendio.
- **Nunca use un adaptador eléctrico con esta clavija de conexión a tierra.**
- **Revise para ver si hay piezas dañadas. Antes de seguir utilizando el compresor o la herramienta de aire, es necesario inspeccionar cuidadosamente toda protección o pieza dañada para determinar si funcionará correctamente y desempeñará la función a la que está destinada. Verifique la alineación de las partes móviles, que no haya atoramiento de las mismas, que no haya piezas rotas, el montaje de las piezas y cualquier otra condición que pudiera afectar su funcionamiento. Toda protección o pieza que esté dañada debe repararse apropiadamente o reemplazarse en un centro de servicio autorizado.** Con el cumplimiento de esta regla se reduce el riesgo de una descarga eléctrica, incendio o lesión grave.
- **Asegúrese de que esté en buen estado el cordón de extensión. Al utilizar un cordón de extensión, utilice uno del suficiente calibre para soportar la corriente que consume el producto. Se recomienda que los conductores sean de calibre 14 (A.W.G.) por lo menos para un cordón de extensión de 8 metros (25 pies) de largo o menos. No se recomienda utilizar un cordón con más de 15 metros (50 pies) de largo. Si tiene dudas, utilice un cordón del calibre más grueso siguiente. Cuanto menor es el número de calibre, mayor es el grueso del cordón.** Un cordón de un calibre insuficiente causa una caída en el voltaje de línea, y produce recalentamiento y pérdida de potencia.
- **Este equipo incorpora piezas como interruptores de acción inmediata, receptáculos y piezas similares que tienden a producir arcos o chispas, y por lo tanto, cuando dicho equipo está ubicado en una cochera, debe estar en un cuarto o alojamiento suministrado para tal propósito, o debe estar a 457 mm (18 pulg.) Del suelo o más.**
- **Nunca tienda equipas con herramienta con aire conectado.** Almacenar el instrumento con aire conectado puede tener como resultado despedir y herida inesperado personal, grave y posible.
- **Protéjase los pulmones.** Use una careta o mascarilla contra el polvo si la operación genera mucho polvo. Con el cumplimiento de esta regla se reduce el riesgo de lesiones corporales serias.
- **Si está dañado el cordón de corriente, debe ser reemplazado únicamente por el fabricante o en un centro de servicio autorizado para evitar riesgos.**
- **Guarde estas instrucciones.** Consúltelas con frecuencia y empléelas para instruir a otras personas que puedan utilizar esta herramienta. Si presta a alguien esta herramienta, facilítele también las instrucciones.

# SÍMBOLOS

Las siguientes palabras de señalización y sus significados tienen el objeto de explicar los niveles de riesgo relacionados con este producto.

SÍMBOLO	SEÑAL	SIGNIFICADO
	<b>PELIGRO:</b>	Indica una situación peligrosa inminente, la cual, si no se evita, causará la muerte o lesiones serias.
	<b>ADVERTENCIA:</b>	Indica una situación peligrosa posible, la cual, si no se evita, podría causar la muerte o lesiones serias.
	<b>PRECAUCIÓN:</b>	Indica una situación peligrosa posible, la cual, si no se evita, podría causar lesiones menores o leves.
	<b>AVISO:</b>	(Sin el símbolo de alerta de seguridad) Indica la información que se considera importante, pero no relacionada con lesiones potenciales (por ej. en relación a daños a la propiedad).

Es posible que se empleen en este producto algunos de los siguientes símbolos. Le suplicamos estudiarlos y aprender su significado. Una correcta interpretación de estos símbolos le permitirá utilizar mejor y de manera más segura el producto.

SÍMBOLO	NOMBRE	DENOMINACIÓN/EXPLICACIÓN
	Alerta de seguridad	Indica un peligro posible de lesiones personales.
	Lea manual del operador	Para reducir el riesgo de lesiones, el usuario debe leer y comprender el manual del operador antes de usar este producto.
	Protección ocular	Siempre póngase protección ocular con protección lateral con la marca de cumplimiento de la norma ANSI Z87.1.
	Alerta de condiciones húmedas	No exponga la unidad a la lluvia ni la use en lugares húmedos.
	Riesgo de estallido	No ajuste el regulador para producir una presión de salida superior a la presión máxima marcada en el aditamento. No use una presión superior a 150 PSI.
	Riesgo de estallido o explosión	El área de rociado debe estar bien ventilada. No fume mientras esté rociando con pistola, ni rocíe donde haya presentes chispas o flamas. Mantenga los compresores tan lejos del área de pintura y de vapores explosivos como sea posible, por lo menos a 6,1 m (20 pies).
	Riesgo de descarga eléctrica	Voltaje peligroso: Desconecte del suministro de corriente la unidad antes de proporcionarle servicio. El compresor debe conectarse a tierra.
	Superficie caliente	Para reducir el riesgo de lesiones corporales o daños materiales evite tocar toda superficie caliente.
	Riesgo de respiración	El aire obtenido directamente del compresor nunca debe utilizarse para consumo humano.

# SÍMBOLOS

Es posible que se empleen en este producto algunos de los siguientes símbolos. Le suplicamos estudiarlos y aprender su significado. Una correcta interpretación de estos símbolos le permitirá utilizar mejor y de manera más segura el producto.

SÍMBOLO	NOMBRE	DENOMINACIÓN/EXPLICACIÓN
V	Volts	Voltaje
A	Amperes	Corriente
Hz	Hertz	Frecuencia (ciclos por segundo)
~	Corriente alterna	Tipo de corriente
	Fabricación Clase II	Fabricación con doble aislamiento

## PELIGRO:

Este compresor (o bomba) no está equipado y debe evitarse utilizarlo para suministrar aire para respirar. Es necesario equipo adicional para filtrar y purificar debidamente el aire a fin de que cumpla las especificaciones mínimas de Grado D para respiración, según se explica en la Especificación de Productos G 7.1 - 1966 de la Asociación de Proveedores de Equipo de Gas Comprimido (Compressed Gas Association), OSHA 29 CFR 1910.134. Compressed Gas Association, 4221 Walney Road, Fifth Floor, Chantilly, VA 20151-2923, (703) 788-2700, [www.cganet.com](http://www.cganet.com). Tal equipo adicional no ha sido examinado y no debe suponerse o deducirse ninguna conclusión con respecto al correcto uso del aire de respiración.

Si se altera de cualquier forma este compresor, quedan anuladas todas las garantías presentes. RIDGID® y One World Technologies, Inc., se eximen de toda responsabilidad de cualquier tipo por cualquier pérdida, lesión corporal o daño material.

### **EXTENSIÓN DE RESPONSABILIDAD DE LAS GARANTÍAS**

En caso de utilizarse los compresores para suministrar aire de respiración, y no utilizarse simultáneamente equipo en línea de seguridad y alarma apropiado, se anulan todas las garantías presentes, y RIDGID® se exime de toda responsabilidad de cualquier tipo por cualquier pérdida, lesión física o daño material que resulte.



# ASPECTOS ELÉCTRICOS

## CORDONES DE EXTENSIÓN

Sólo utilice cordones de extensión de tres conductores con clavijas de tres patillas y receptáculos de tres polos que acepten la clavija del cordón del compresor. Al utilizar el compresor de aire a una distancia considerable del suministro de corriente, asegúrese de utilizar un cordón de extensión del grueso suficiente para soportar el consumo de corriente del compresor. Un cordón de extensión de un grueso insuficiente causa una caída en el voltaje de línea, además de producir una pérdida de potencia y un recalentamiento del motor. Básese en la tabla suministrada abajo para determinar el calibre mínimo requerido de los conductores del cordón de extensión. Solamente deben utilizarse cordones con forro redondo registrados en Underwriter's Laboratories (UL).

\*\*Amperaje (aparece en la placa de datos del compresor)

Longitud del cordón	Calibre conductores (A.W.G.)					
	0-2.0	2.1-3.4	3.5-5.0	5.1-7.0	7.1-12.0	12.1-16.0
25'	16	16	16	16	14	14
50'	16	16	16	14	14	12
100'	16	16	14	12	10	—

\*\*Se usa en los circuitos de calibre 12, de 20 A.

**NOTA:** AWG = Calibre conductores norma americana

Al trabajar a la intemperie con el compresor, utilice un cordón de extensión fabricado para uso en el exterior. Tal característica está indicada con las letras "W-A" o "W" en el forro del cordón.

Antes de utilizar un cordón de extensión, inspecciónelo para ver si tiene conductores flojos o expuestos y aislamiento cortado o gastado.

### **ADVERTENCIA:**

Mantenga el cordón de extensión fuera del área de trabajo. Al trabajar con una herramienta eléctrica, coloque el cordón de tal manera que no pueda enredarse en la madera, herramientas o ninguna obstrucción. La inobservancia de esta advertencia puede causar lesiones serias.

### **ADVERTENCIA:**

Inspeccione los cordones de extensión cada vez antes de usarlos. Si están dañados, reemplácelos de inmediato. Nunca utilice el compresor con un cordón dañado, ya que si toca la parte dañada puede producirse una descarga eléctrica, y las consecuentes lesiones serias.

## CONEXIÓN ELÉCTRICA

Este compresor de aire está accionado por un motor eléctrico fabricado con precisión. Debe conectarse únicamente a una **línea de voltaje de 120 V, de corriente alterna solamente (corriente normal para uso doméstico), 60 Hz.** No utilice esta herramienta con corriente continua (c.c.). Una caída considerable de voltaje causa una pérdida de potencia y el recalentamiento del motor. Si el compresor no funciona al conectarlo en una toma de corriente, vuelva a revisar el suministro de corriente.

## VELOCIDAD Y CABLEADO

La velocidad en vacío de este compresor es 18 000 rpm aproximadamente. Esta velocidad no es constante y disminuye durante el corte o con un voltaje bajo. En cuanto al voltaje, el cableado de un taller es tan importante como la potencia nominal del motor. Una línea destinada sólo para luces no puede alimentar el motor de una herramienta eléctrica. El cable con el calibre suficiente para una distancia corta será demasiado delgado para una mayor distancia. Una línea que alimenta una herramienta eléctrica quizá no sea suficiente para alimentar dos o tres herramientas.

## INSTRUCCIONES DE CONEXIÓN A TIERRA

*Vea la figura 1, página 15.*

En caso de un mal funcionamiento o desperfecto, la conexión a tierra brinda a la corriente eléctrica una trayectoria de mínima resistencia para disminuir el riesgo de una descarga eléctrica. Este compresor de aire está equipado de un cordón eléctrico con una clavija dotada de un conductor de conexión a tierra. La clavija debe conectarse en una toma de corriente igual que esté instalada y conectada a tierra correctamente, de conformidad con los códigos y reglamentos de la localidad. No modifique la clavija suministrada. Si no entra en la toma de corriente, llame a un electricista calificado para que instale una toma de corriente adecuada.

### **ADVERTENCIA:**

Si no se instala debidamente la clavija de conexión a tierra se puede producir un riesgo de descarga eléctrica. Cuando se debe reparar o reemplazar el cordón, no conecte el alambre de conexión a tierra a ninguna de las terminales de punta plana. El alambre con aislamiento que tiene una superficie exterior verde con o sin tiras amarillas es el alambre de conexión a tierra.

Consulte a un electricista calificado o técnico de servicio si no ha comprendido completamente las instrucciones de conexión a tierra o si no está seguro si la herramienta está conectada a tierra correctamente.

Repáre o reemplace de inmediato todo cordón dañado o gastado.

Este compresor de aire debe utilizarse conectado a un circuito con una toma de corriente como la mostrada en *la figura 1, página 14.* También dispone de una patilla de conexión a tierra como la mostrada. Este producto debe conectarse a tierra.

# GLOSARIO DE TÉRMINOS

---

## **Filtro de aire**

Es un elemento poroso contenido dentro de un alojamiento de metal o plástico unido al cilindro de la culata del cilindro del compresor, el cual sirve para eliminar las impurezas del aire de entrada del compresor.

## **Tanque de aire**

Es un componente cilíndrico que contiene el aire comprimido.

## **Válvula de retención**

Es un dispositivo cuya función es impedir que el aire comprimido se regrese del tanque de aire a la bomba del compresor.

## **PCCPM (Pies cúbicos por minuto) o PCEPM (Pies cúbicos estándar por minuto)**

Pies cúbicos estándar por minuto — la unidad de medida de suministro de aire.

## **Disyuntor de circuito**

Sirve para apagar automáticamente el compresor si la temperatura del motor eléctrico se excede de un límite predeterminado.

## **Presión de activación**

Es la presión baja a la cual arranca automáticamente el motor.

## **Presión de interrupción**

Es la presión alta a la cual se apaga automáticamente el motor.

## **Motor eléctrico**

Es el dispositivo encargado de suministrar la fuerza rotatoria necesaria para accionar la bomba del compresor.

## **Interruptor de encendido/apagado del control automático**

Control que enciende o apaga el compresor de aire. El interruptor de presión no encenderá y controlará automáticamente el compresor a menos que la interruptor manual de encendido/apagado del control automático esté en la posición **AUTOMÁTICO ENCENDIDO**.

## **NPT (Norma nacional de roscado de tubos)**

Debe utilizarse una cinta selladora de roscas para tener un sello a prueba de fugas en las conexiones roscadas de tubos.

## **Perilla de regulación de presión**

Sirve para regular la presión de la salida de aire dirigida a la herramienta. Es posible aumentar o disminuir la presión presente en la salida ajustando esta perilla de control.

## **Interruptor de presión**

Sirve para controlar los ciclos de encendido y apagado del compresor. Apaga el compresor cuando se alcanza la presión de interrupción del tanque y arranca el compresor cuando la presión del aire desciende abajo de la presión de interrupción.

## **Libras por pulgada cuadrada (PSI)**

Son las unidades de medida de la presión ejercida por la fuerza del aire. La presión real en PSI es medida por el manómetro del compresor.

## **Bomba**

Es el dispositivo que produce el aire comprimido mediante un pistón de vaivén contenido dentro del cilindro.

## **Manómetro regulador**

Muestra la presión actual en el conducto. La presión del conducto se ajusta girando la perilla de regulación de presión.

## **Válvula de seguridad**

Su función es impedir que la presión del aire ascienda más allá de un límite predeterminado.

## **Manómetro del tanque**

Sirve para indicar la presión interna del tanque.

# CARACTERÍSTICAS

---

## **ESPECIFICACIONES DEL PRODUCTO**

Capacidad del tanque de aire ..... 56,8 L (15 gal.)  
Presión de aire ..... 1378,9 kPa (200 psi), máx.  
Suministro de aire ..... 5,1 PCEPM @ 90 psi  
Probado por ISO1217

Manómetros ..... 51 mm (2 pulg.) de diámetro  
Corriente de entrada ... 120 V, sólo corr. alt., 60 Hz, 14.5 A  
Ciclo de trabajo ..... 10 minutos Enc./10 minutos Apag

# ARMADO

---

## DESEMPAQUETADO

Este producto requiere armarse.

- Extraiga cuidadosamente de la caja la herramienta y los accesorios. Todos los elementos enumerados en la sección **Incluye** se deben incluir al momento de la compra.

---

### ADVERTENCIA:

Las piezas incluidas en esta sección de *Armado* no vienen ensambladas en el producto de fábrica y requieren la instalación por parte del cliente. El uso de un producto que pueda haber sido armado de manera incorrecta podría provocar lesiones personales graves.

- 
- Si des pièces manquent ou sont endommagées, appeler le 1-866-539-1710.

---

### ADVERTENCIA:

Si falta o está dañada alguna pieza, no utilice este producto sin haber reemplazado la pieza. Usar este producto con partes dañadas o faltantes puede causar lesiones serias al operador.

---

### ADVERTENCIA:

No intente modificar este producto ni hacer aditamentos ni accesorios no recomendados para el mismo. Cualquier alteración o modificación constituye maltrato el cual puede causar una condición peligrosa, y como consecuencia posibles lesiones corporales serias.

---

### ADVERTENCIA:

Para evitar un arranque accidental que podría causar lesiones corporales graves, siempre desconecte el cable de la bujía del motor de la bujía misma al ensamblar las piezas.

---

## LISTA DE PIEZAS SUELTAS

Vea la figura 2, página 16.

Los siguientes accesorios vienen incluidos:

Núm.	ref.	Descripción	Cant.
	1	Perno de eje .....	2
	2	Arandela de seguridad .....	2
	3	Rueda .....	2
	4	Pasador de enganche .....	2
		Manual del operador (no se muestra).....	1

## INSTALACIÓN DE LAS RUEDAS

Vea la figura 3, página 16.

**NOTA:** No conecte el compresor de aire a un suministro de corriente al instalar las ruedas. Asegúrese de que la presión del tanque sea de 0 psi.

- Placer le compresseur tel qu'illustré, c'est-à-dire, au sol ou sur une surface stable avec les manomètres face au sol.
- Insérer un essieu dans un des pneus. Ajouter une rondelle, tel qu'illustré. Glisser une goupille d'attelage dans le trou du boulon.
- Installer le deuxième pneu. S'assurer que les deux pneus sont fixés solidement avant d'utiliser le produit.
- Placer le compresseur d'air en position debout.

# FUNCIONAMIENTO

---

## PELIGRO:

No desmonte la válvula de retención, las válvulas de drenaje de los tanques ni la válvula de seguridad habiendo aire en el tanque; primero purgue el tanque. La falta de despresurización del tanque podría dar lugar a una explosión y/o lesiones personales graves.

---

## ADVERTENCIA:

No permita que su familiarización con las herramientas lo vuelva descuidado. Tenga presente que un descuido de un instante es suficiente para causar una lesión seria.

---

## ADVERTENCIA:

Siempre póngase protección ocular con protección lateral con la marca de cumplimiento de la norma ANSI Z87.1. Si no cumple esta advertencia, los objetos que salen despedidos pueden producirle lesiones serias en los ojos.

---

## ADVERTENCIA:

No utilice ningún aditamento o accesorio no recomendado por el fabricante de esta producto. El empleo de aditamentos o accesorios no recomendados podría causar lesiones serias.

---

## ADVERTENCIA:

Este equipo incorpora piezas como interruptores de acción inmediata, receptáculos y piezas similares que tienden a producir arcos o chispas, y por lo tanto, cuando dicho equipo está ubicado en una cochera, debe estar en un cuarto o alojamiento suministrado para tal propósito, o debe estar a 460 mm (18 pulg.) del suelo o más.

---

## ADVERTENCIA:

No conecte ninguna herramienta en el extremo abierto de la manguera sin haber efectuado el procedimiento inicial.

---

## AVISO:

No utilice la unidad en ningún entorno polvoriento o contaminado de cualquier forma. Si se utiliza el compresor de aire en este tipo de entorno puede dañarse.

---

## AVISO:

El cableado hacia un receptáculo y la longitud de cualquier cordón de extensión que se utilice juegan un papel muy importante en el funcionamiento de este producto. Un cableado destinado a la iluminación no puede soportar el motor de un compresor de aire en forma adecuada, y un cable demasiado pesado para una distancia corta puede ser insuficiente para una distancia mayor. Antes de usar este producto, verifique que su receptáculo esté correctamente cableado para usar un compresor de aire y que la longitud y el calibre del cordón de extensión sean suficientes para soportar la corriente del compresor de aire.

---

## USOS

Los compresores de aire se utilizan en una variedad de sistemas de suministro de aire. Las mangueras, conectores, herramientas de aire y accesorios deben corresponder a la capacidad del compresor de aire.

Este producto puede emplearse para los fines siguientes:

- Accionamiento de algunas herramientas de aire
- Utilización de accesorios de aire como boquillas e inflador de neumáticos de automóviles

## CONEXIÓN/DESCONEXIÓN DE LA MANGUERA DE AIRE (MANGUERA NO SUMINISTRADA)

*Vea la figura 4, página 16.*

---

## ADVERTENCIA:

Nunca exceda la clasificación de la herramienta neumática de la presión recomendada por el fabricante. Al utilizar este compresor de aire como dispositivo de la inflación, siempre siga las directrices de la inflación máxima indicada por el fabricante del elemento que se infla.

---

- Asegúrese de que esté apagado y desconectado el compresor de aire.
  - Tire hacia arriba la perilla del regulador de presión y luego gire completamente la perilla hacia la izquierda de modo que la presión de salida sea cero (0) psi. Empuje hacia abajo la perilla del regulador de presión para asegurarla.
  - Conecte el conector macho de la manguera al adaptador universal de conexión rápida del compresor. Cerciórese para empujar el fin del adaptador de manga completamente en el acoplador hasta que las primaveras de manga adelanten para cerrarlo en lugar.
-

# FUNCIONAMIENTO

**Para desconectar una manguera de aire o una herramienta neumática:**

- Asegúrese de que la presión de salida sea cero (0) psi.
- Al desconectar una manguera del acoplador rápido de 6,35 mm (1/4 pulg.), sostenga siempre con firmeza el extremo de la manguera desconectado.
- Tire del casquillo de liberación del adaptador rápido de 6,35 mm (1/4 pulg.)
- Mientras lo sujeta firmemente, tire del adaptador de aire de conexión rápida que está conectado al acoplador rápido.

## PERÍODO DE ASENTAMIENTO

Antes del primer uso, haga funcionar durante 30 minutos el compresor de aire en presión cero del tanque con las válvulas de drenaje totalmente abiertas.

## CÓMO ENCENDER/APAGAR EL COMPRESOR DE AIRE

Veja la figura 5, página 16.

- Con el compresor aéreo conectado, mueva la interruptor de encendido/apagado del control automático a la posición **AUTOMÁTICO ENCENDIDO** para encender el compresor.
- Para apagar el compresor, mueva la interruptor de encendido/apagado del control automático a la posición **APAGADO**.

**NOTA:** Cuando el compresor es prendido, el compresor aéreo se volverá automáticamente en cuando la presión atmosférica designada del tanque deja caer debajo del fijó el límite de la presión. Apagará también otra vez cuando la presión deseada es alcanzada.

### **ADVERTENCIA:**

No exceda el régimen de presión de aire de la herramienta que recomienda el fabricante. Cuando utilice este compresor de aire para inflar, siga las pautas del nivel de inflado máximo que indica el fabricante del artículo que desea inflar.

### **ADVERTENCIA:**

Asegúrese siempre de que el interruptor esté en la posición **OFF (O)** y el manómetro regulador esté en cero antes de cambiar las herramientas neumáticas o desconectar la manguera de la salida de aire. La inobservancia de esta advertencia puede causar lesiones serias.

## USO DEL COMPRESOR

Veja las figuras 6 y 7, páginas 16 y 17.

### **ADVERTENCIA:**

**Riesgo de estallido.** No ajuste el perilla de regulación de presión para producir una presión de salida superior a la presión máxima marcada en el aditamento o en el artículo que está inflando. No use una presión superior a 1 034 kPa (150 psi). Si cumple esta regla, se reduce el riesgo de lesiones graves.

### **ADVERTENCIA:**

Una herramienta determinada puede necesitar más aire del que este compresor es capaz de suministrar. Estudie el manual de la herramienta para evitar dañarla y sufrir un riesgo de lesiones.

- Asegúrese de que el control de encendido/apagado del control automático esté en la posición de **APAGADO (O)** y el compresor esté desconectado.
- Conecte la manguera de aire siguiendo las instrucciones de **Conexión y desconexión una manguera de aire** (no incluido la manguera).
- Conecte el adaptador macho de 6,4 mm (1/4 pulg.) NPT a la herramienta o accesorio deseado.
- Introduzca el otro extremo del adaptador macho al acoplador rápido del extremo abierto de la manguera.
- Conecte el cordón al suministro de corriente.
- Mueva la interruptor de encendido/apagado del control automático a la posición **AUTOMÁTICO ENCENDIDO**
- Establezca la cantidad de presión de aire deseada utilizando la perilla de regulación de presión. Tire de la perilla, luego gírela hacia la derecha para aumentar o a la izquierda para disminuir la presión de aire que suministrará a través de la manguera. Cuando establezca la presión, presione la perilla hacia abajo para fijar.

**NOTA:** Utilice siempre el nivel mínimo de presión necesario para la aplicación. Si utiliza más presión de la necesaria, el aire se drenará más rápido del tanque y la unidad regresará a su punto de partida con mayor frecuencia.

- Ahora puede proceder a utilizar la herramienta accionada por aire deseada, siguiendo las medidas de precaución indicadas en este manual y las instrucciones del fabricante de la herramienta de aire señaladas en el manual de la misma.

**NOTA:** El compresor de aire se apagará durante las sobrecargas eléctricas. Para restablecer el interruptor de sobrecarga interna, desenchufe el compresor de aire y deje enfriar la unidad.

- Una vez que finalice, drene siempre el tanque y desconecte la unidad. No deje la unidad conectada ni deje de supervisarla mientras se encuentre en funcionamiento.

# FUNCIONAMIENTO

---

## REVISIÓN DE LA VÁLVULA DE SEGURIDAD

Veá las figuras 8, página 17.

### PELIGRO:

No intente forzar o alterar la válvula de seguridad. Cualquier pieza floja de este dispositivo puede volar y golpearlo. La inobservancia de esta advertencia podría causar lesiones serias, e incluso la muerte.

---

La válvula de seguridad está diseñada para soltar aire automáticamente si la presión del aparato receptor del aire sobrepasa el límite máximo prefijado. Debe revisarse la válvula cada día antes de usar la unidad; para ello, tire del aro con la mano.

- Encienda el compresor y permita que se llenen los tanques. El compresor se apaga cuando la presión alcanza el límite máximo prefijado.
- Apague el compresor.
- Tire del anillo de la válvula de seguridad para soltar aire durante tres o cinco segundos para permitir el escape del aire presurizado. Suelte el anillo. La válvula de descarga de seguridad debe reajustar y mantener el nivel de la presión antes de que todo el aire comprimido se libere del tanque o del recipiente de presión.
- Si registra una pérdida constante de aire luego de realizar los pasos anteriores, habrá detectado un problema en la válvula de seguridad. Deje de utilizar el compresor de aire y solicite el servicio de mantenimiento antes seguir usando la unidad.

### ADVERTENCIA:

Si se fuga aire después de soltar el anillo, o si está pegada la válvula y no puede accionarse con el aro, no utilice el compresor de aire, sino hasta haber reemplazado la válvula. Utilizar el compresor de aire en estas condiciones puede producir lesiones serias.

---

## DRENADO DEL TANQUES

Veá las figuras 8 y 9, página 17.

Como ayuda para impedir la corrosión del tanque y mantener el aire libre de humedad, debe drenarse diariamente el tanque del compresor.

### Para drenar el tanque:

- Apague el compresor de aire y desconecte la clavija del suministro de corriente.
  - Tire del aro de la válvula de presión alivio para soltar aire hasta que manómetro lee menos que 20 psi.
  - Suelte el anillo.
  - Gire 90° a la izquierda la válvula de drenaje a la posición abierto.
  - Incline el tanque drene la humedad del tanque, recibéndola en un recipiente adecuado.
- NOTA:** La humedad condensada es material contaminante y debe desecharse de conformidad con los reglamentos locales.
- Si se tapa la válvula de drenaje, purgue toda la presión de aire, retire la válvula, límpiela y vuelva a instalarla.

### ADVERTENCIA:

Desconecte el compresor de aire y suelte todo el aire de los tanques antes de prestar servicio a la unidad. Si no se purga la presión de los tanques antes de intentar retirar las válvulas, pueden producirse lesiones serias.

- 
- Gire 90° a la derecha la válvula de drenaje a la posición cerrado.
- 

### ADVERTENCIA:

**RIESGO DE ESTALLIDO.** Todos los tanques de aire comprimido tienen una vida útil limitada. La vida útil puede estar afectada por gran cantidad de factores, como las condiciones de funcionamiento del compresor de aire, el mantenimiento adecuado del tanque y las reparaciones y modificaciones no autorizadas. Debido a que el deterioro del tanque puede ocurrir en forma interna sin señales exteriores, DEBE retirar del servicio los tanques de aire del compresor al finalizar el año que aparecer en la etiqueta de datos. El uso del compresor de aire pasada esta fecha aumenta el riesgo de una ruptura en el tanque de aire, lo que podría provocar lesiones personales graves.

---

# MANTENIMIENTO

---

## **ADVERTENCIA:**

Siempre purgue toda la presión, desconecte la unidad del suministro de corriente y permita que se enfríe antes de limpiarla o efectuarle reparaciones.

---

## **ADVERTENCIA:**

Siempre póngase protección ocular con protección lateral con la marca de cumplimiento de la norma ANSI Z87.1. Si no cumple esta advertencia, los objetos que salen despedidos pueden producirle lesiones serias en los ojos.

---

## **ADVERTENCIA:**

Siempre purgue toda la presión, desconecte la unidad del suministro de corriente y permita que se enfríe antes de limpiarla o efectuarle reparaciones.

---

## **MANTENIMIENTO GENERAL**

Evite el empleo de solventes al limpiar piezas de plástico. La mayoría de los plásticos son susceptibles a diferentes tipos de solventes comerciales y pueden resultar dañados. Utilice paños limpios para eliminar la suciedad, el polvo, el aceite, la grasa, etc.

---

## **ADVERTENCIA:**

No permita en ningún momento que fluidos para frenos, gasolina, productos a base de petróleo, aceites penetrantes, etc., lleguen a tocar las piezas de plástico. Las sustancias químicas pueden dañar, debilitar o destruir el plástico, lo cual a su vez puede producir lesiones corporales serias.

---

## **LUBRICACIÓN**

Todos los cojinetes de esta producto están lubricados con suficiente cantidad de aceite de alta calidad para toda la vida útil de la unidad en condiciones normales de funcionamiento. Por lo tanto, no se necesita lubricación adicional.

## **REEMPLAZO DEL CORDÓN DE CORRIENTE**

Un centro de servicio autorizado deben cambiar el cordón de corriente, en caso de que sea necesario, para evitar peligros.

## **CAMBIO DEL FILTRO DE AIRE**

*Vea la figura 10, página 17.*

- Presione y gire la tapa del filtro de aire en sentido antihorario para quitar el filtro de aire y la carcasa del filtro de aire.
- Sujete las lengüetas de la cubierta del filtro de aire y retírela del alojamiento.
- Quite el filtro de aire.
- Instale el filtro de aire nuevo.
- Vuelva a colocar la cubierta del filtro de aire alineando las lengüetas y presionándola en el alojamiento hasta que encastre en su lugar.
- Vuelva a colocar la carcasa del filtro de aire en el compresor girándolo en sentido horario. No efectúe un apriete excesivo.

## **TRASLADO DEL COMPRESOR**

*Vea la figura 11, página 17.*

- Asegúrese el compresor de aire esté apagado.
- Con su pie en la parte trasera del bastidor, incline la máquina hacia usted hasta que se equilibre en las ruedas, luego empuje la máquina a la posición deseada.

## **ALMACENAMIENTO DEL COMPRESOR**

*Vea la figura 12, página 17.*

- Desconecte el compresor de aire.
- Desconecte la manguera de aire y herramienta neumática del compresor.
- Drene los tanques según las instrucciones.
- Limpie completamente el compresor de aire y todos los accesorios.
- Enrolle el cable de alimentación en el mango y en el motor como se muestra. Asegúrelo en su lugar con sujetador del cordón.

## **TRANSPORTANDO DEL COMPRESOR**

*Vea la figura 13, página 17.*

- Desconecte el compresor de aire.
- Desconecte la manguera de aire y herramienta neumática del compresor.
- Drene los tanques según las instrucciones.
- Si transporta el compresor de aire en posición vertical, asegúrese de que esté asegurado para evitar que se vuelque.

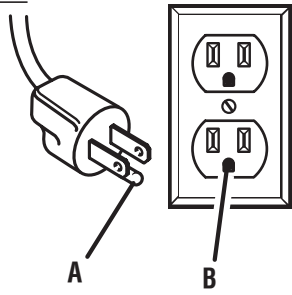
# SOLUCIÓN DE PROBLEMAS

PROBLEMA	CAUSA POSIBLE	SOLUCIÓN
El compresor no arranca	<p>Recalentamiento o pérdida de potencia</p> <p>No hay corriente eléctrica</p> <p>Fusible fundido en el taller o casa</p> <p>Disyuntor abierto en el taller o casa</p> <p>Interruptor de presión defectuoso</p> <p>Tanque lleno de aire</p> <p>El interruptor de sobrecarga interna está desconectado</p>	<p>Verifique cordón de extensión esté usándose de forma correcta</p> <p>Revise para asegurarse de que esté conectada la unidad; Revise fusible, disyuntor o protector contra sobrecarga térmica</p> <p>Reemplace el fusible fundido del taller o casa</p> <p>Restablezca el disyuntor del taller o casa, y determine la causa del problema</p> <p>Lleve el compresor a un centro de servicio</p> <p>El compresor se enciende cuando la presión del tanque desciende a la presión de activación</p> <p>Desenchufe el compresor y deje enfriar la unidad</p>
El motor zumba pero no funciona o lo hace con lentitud	<p>Voltaje bajo</p> <p>Cordón de extensión de calibre o longitud equivocados</p> <p>El devanado del motor tiene corto o está abierto</p> <p>Válvula de retención o de seguridad defectuosa</p>	<p>Use compresor on outlet with sufficient voltage</p> <p>Verifique que el calibre y la longitud del cable sean los correctos</p> <p>Lleve el compresor a un centro de servicio</p> <p>Lleve el compresor a un centro de servicio</p>
El interruptor de sobrecarga interna se dispara reiteradamente	<p>Voltaje bajo</p> <p>Ventilación insuficiente / temperatura ambiental demasiado elevada</p> <p>Cordón de extensión de calibre o longitud equivocados</p>	<p>Use el compresor en un tomacorriente con un voltaje suficiente</p> <p>Lleve el compresor a un lugar bien ventilado</p> <p>Verifique que el calibre y la longitud del cable sean los correctos</p>
La presión del aparato receptor del aire desciende cuando se apaga el compresor	<p>Conexiones flojas (adaptadores, mangueras, etc.)</p> <p>Válvula de drenaje floja/abra la válvula de drenaje</p> <p>Revise para ver si hay fugas en la válvula</p>	<p>Revise todas las conexiones con solución de agua y jabón, y apriételas</p> <p>Apriete la válvula de drenaje/cierre la válvula de drenaje</p> <p>Lleve el compresor a un centro de servicio</p> <hr/> <p><b>⚠ PELIGRO:</b></p> <p>No desmonte la válvula de retención, las válvulas de drenaje de los tanques ni la válvula de seguridad habiendo aire en el tanque; primero purgue el tanque.</p> <hr/>
Humedad excesiva en el aire de descarga	<p>Cantidad excesiva de agua en el tanque de aire</p> <p>Alta humedad</p>	<p>Drene el tanque</p> <p>Lleve la unidad a un lugar de menor humedad; use un filtro de aire en línea</p>
El compresor funciona continuamente	<p>Interruptor de presión defectuoso</p> <p>Uso excesivo de aire</p> <p>Los aros de pistón son llevados</p>	<p>Lleve el compresor a un centro de servicio</p> <p>Disminuya el consumo de aire; el compresor no es de la suficiente capacidad para las necesidades de la herramienta</p> <p>Reemplace aros de pistón; El servicio de atención al cliente de la Llamada para la ayuda</p>
Producción de aire más baja de lo normal	<p>Válvulas de entrada descompuestas</p> <p>Hay conexiones con fugas</p>	<p>Lleve el compresor a un centro de servicio</p> <p>Apriete las conexiones</p>

**Este producto tiene una política de satisfacción garantizada de 90 días y una garantía limitada de tres años. Para obtener detalles sobre la garantía y la política de satisfacción garantizada, diríjase a [www.RIDGID.com](http://www.RIDGID.com) o llame sin cargo al 1-866-539-1710.**

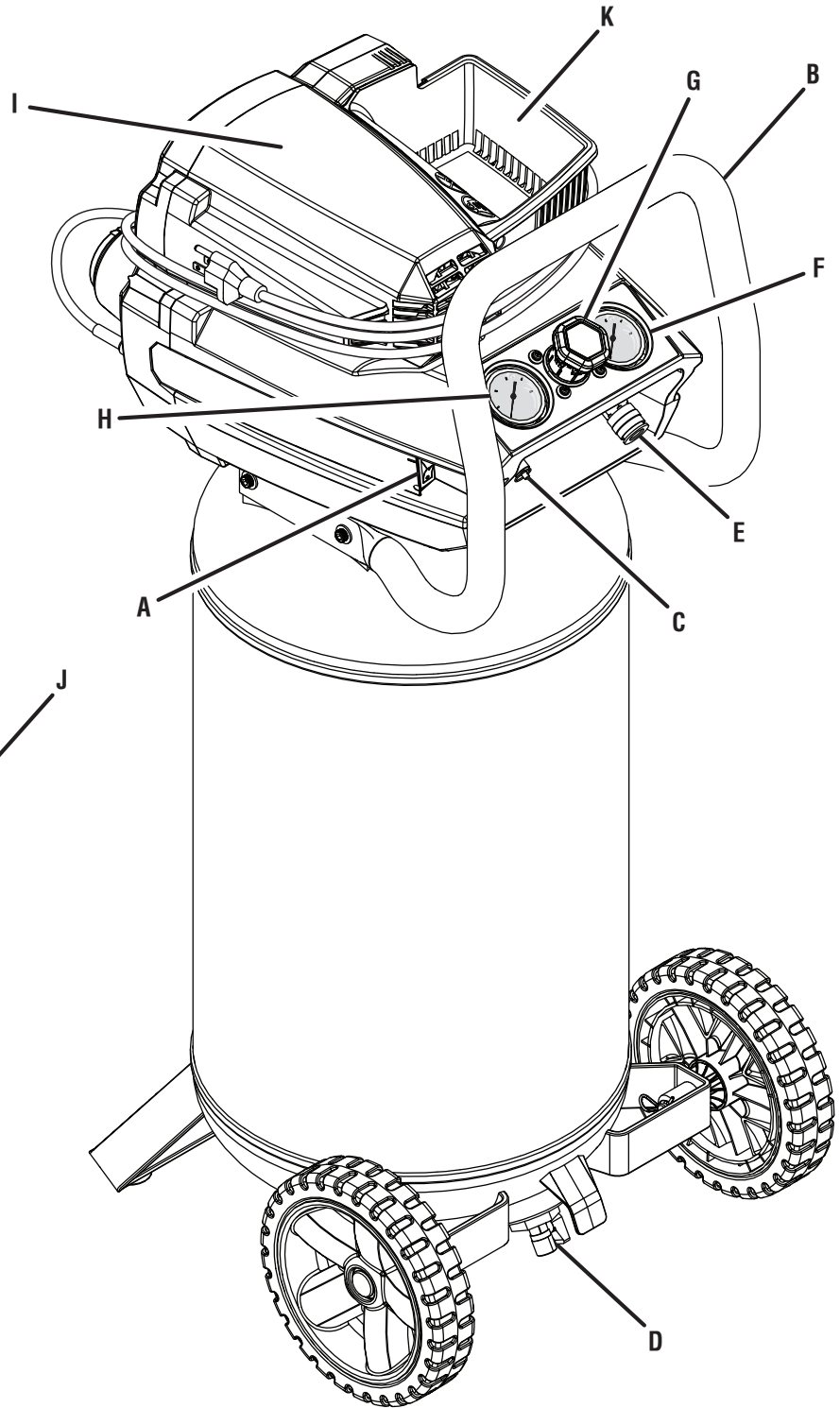
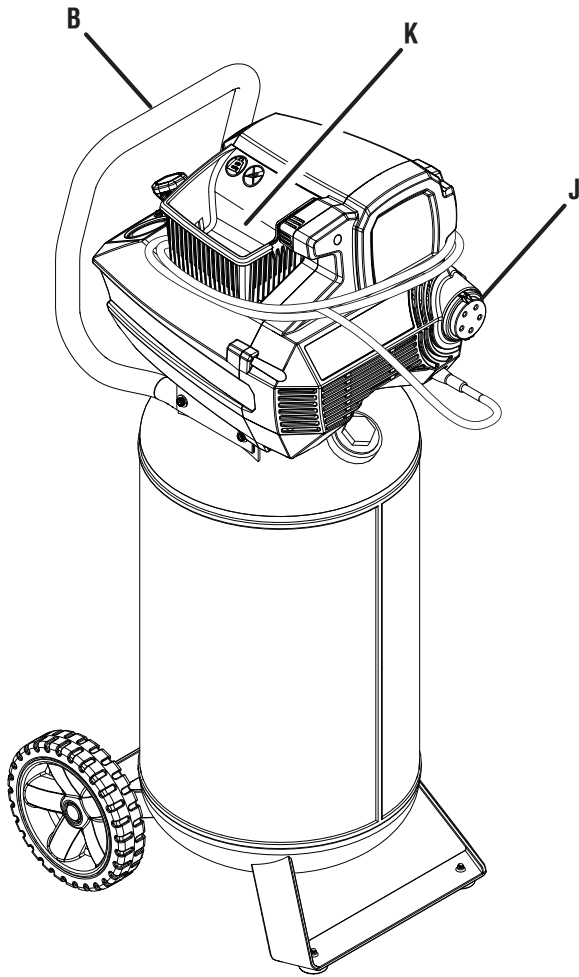


**Fig. 1**



- A - Grounding pin (broche de terre, patilla de conexión a tierra)
- B - 120 V Grounded outlet (prise secteur 120 V mise à la terre, toma de corriente de 120 V con conexión a tierra)

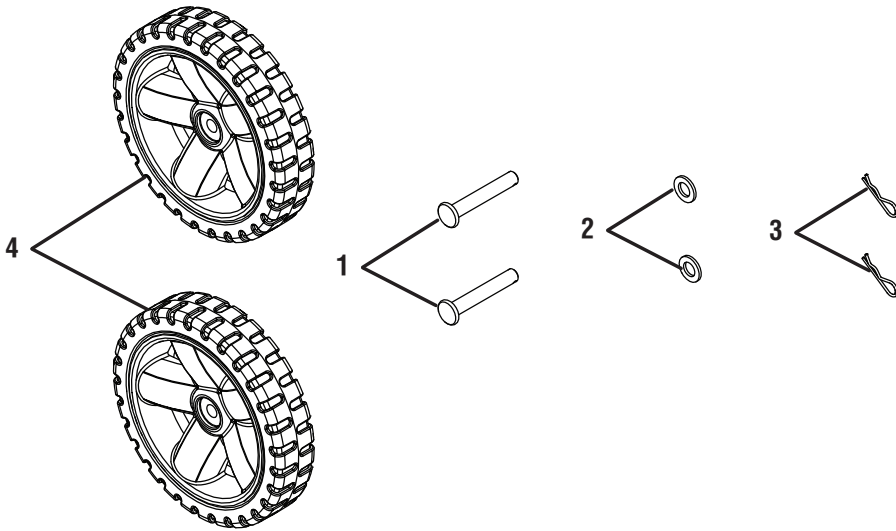
**OF150200A**



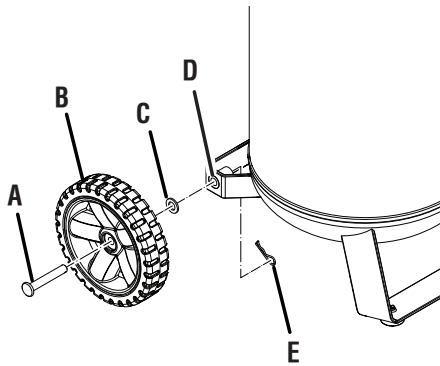
- A - Auto on/off switch (commutateur de marche/arrêt automatique, palanca de encendido/apagado del control automático)
- B - Transport handle (poignée de transport, mango de acarreo)
- C - Safety valve (soupape de sûreté, válvula de seguridad)
- D - Drain valve (robinet de purge, válvula de drenaje)
- E - Quick connect coupler (1/4 in.) (coupleur à ressort de 6,35 mm [1/4 po], collarin de conexión rápido de 6,35 mm [1/4 pulg.])
- F - Regulator pressure gauge (manomètre du détendeur, manómetro regulador)

- G - Pressure regulator knob (bouton de régulation de pression, perilla de regulación de presión)
- H - Tank pressure gauge (manomètre du réservoir d'air, manómetro del tanque)
- I - Motor (moteur, motor)
- J - Air filter (filtre à air, filtro de aire)
- K - Storage bin (boîte de rangement, caja de almacenamiento)

**Fig. 2**

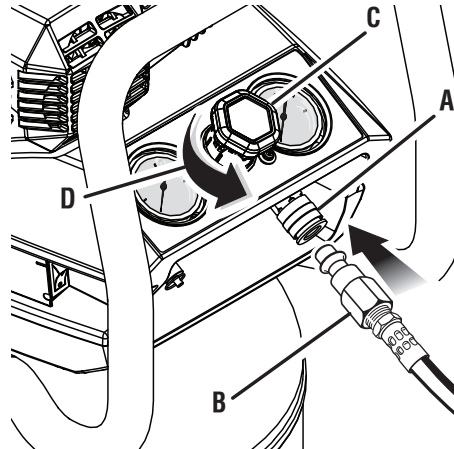


**Fig. 3**



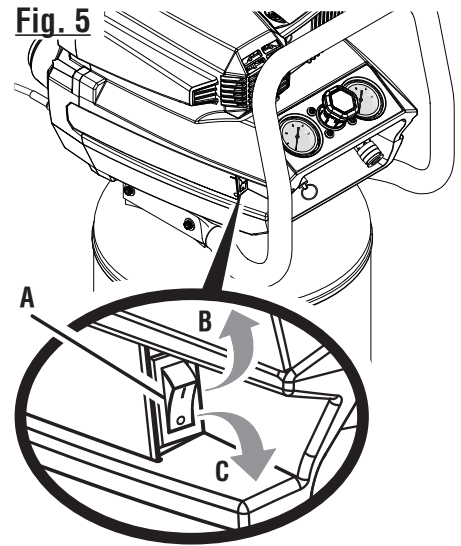
- A - Axle bolt (boulon de l'essieu, perno de eje)
- B - Wheel (roue, rueda)
- C - Flat washer (rondelle plate, arandela plana)
- D - Opening (trou, agujero)
- E - Hitch pin (goupille d'attelage, pasador de enganche)

**Fig. 4**



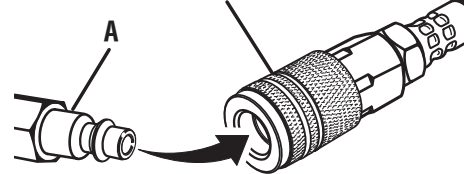
- A - 1/4 in. quick coupler (raccord femelle, conector hembra)
- B - Quick-connect air fitting (raccord d'air à connexion rapide, conexión de aire de conexión rápida)
- C - Pressure regulator knob (bouton de réglulation de pression, perilla de regulación de presión)
- D - To decrease (pour réduire, pour augmenter)

**Fig. 5**



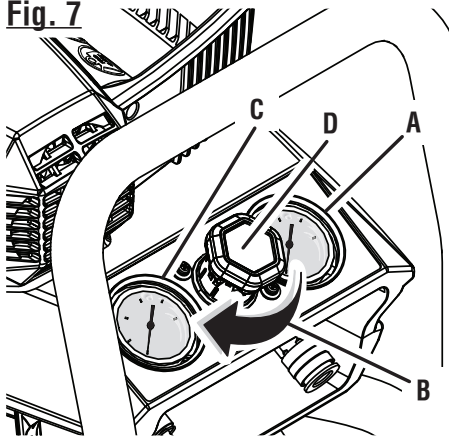
- A - Auto on/off switch (commutateur de marche/arrêt automatique, palanca de encendido/apagado del control automático)
- B - Auto on (marche automatique, automático encendido)
- C - Off (arrêt, apagado)

**Fig. 6**



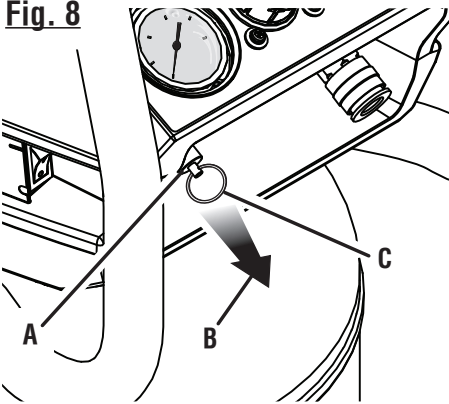
- A - Quick-connect air fitting (raccord d'air à connexion rapide, conexión de aire de conexión rápida)
- B - 1/4 in. quick coupler [dispositif d'attache rapide de 6,35 mm (1/4 po), acoplador rápido de 6,35 mm (1/4 pulg.)]

**Fig. 7**



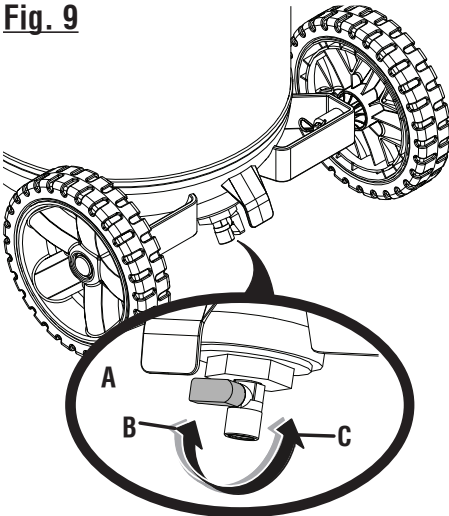
- A - Regulator pressure gauge (manomètre du détenteur, manómetro regulador)
- B - To increase (para disminuir, para aumentar)
- C - Tank pressure gauge (manomètre du réservoir d'air, manómetro del tanque)
- D - Pressure regulator knob (bouton de régulation de pression, perilla de regulación de presión)

**Fig. 8**



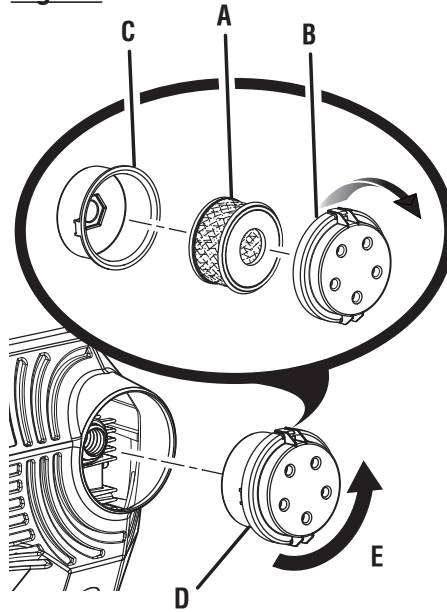
- A - Safety valve (soupape de sûreté, válvula de seguridad)
- B - To release air (pour relâcher l'anneau, para aflojar el aro de aire)
- C - Ring (anneau, anillo)

**Fig. 9**



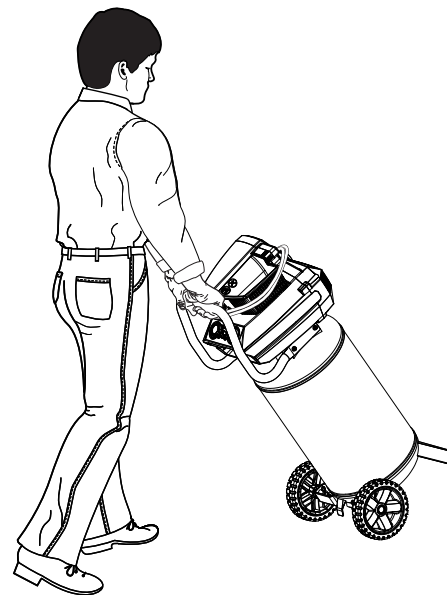
- A - Drain valve (robinet de purge, válvula de drenaje)
- B - Closed (fermé, cerrado)
- C - Open (ouvrir, abra)

**Fig. 10**



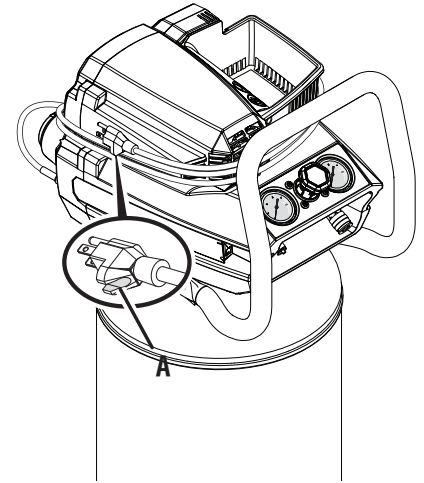
- A - Air filter (filtre à air, filtro de aire)
- B - Air filter cover (couvercle du filtre à air, tapa del filtro de aire)
- C - Air filter housing (logement du filtre à air, alojamiento del filtro de aire)
- D - Air filter assembly (ensemble de filtre à air, conjunto de limpiador de aire)
- E - Loosen (desserrer, aflojar)

**Fig. 11**



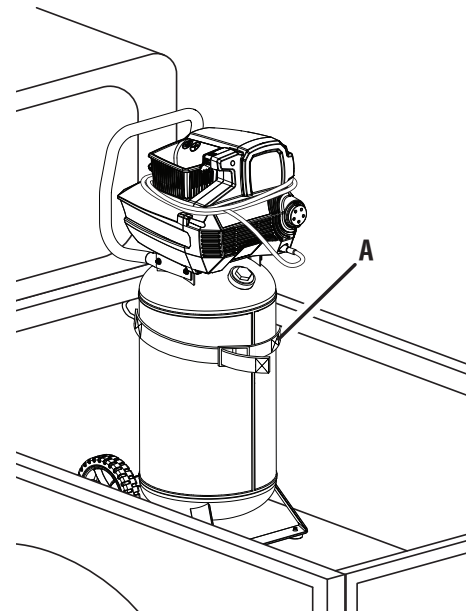
**Fig. 12**

**TO STORE THE MACHINE  
POUR REMISER L'ÉQUIPEMENT  
PARA GUARDAR LA MÁQUINA**



- A - Cord clip (retenue de cordon, abrazadera de cordón)

**Fig. 13**



- A - Strap (sangle, correa)

# OPERATOR'S MANUAL

MANUEL D'UTILISATION

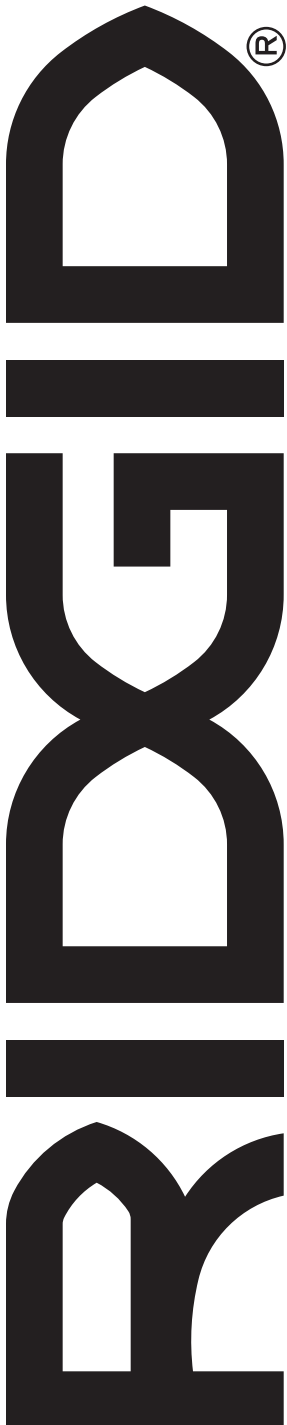
MANUAL DEL OPERADOR

## 15 GALLON PORTABLE AIR COMPRESSOR

COMPRESSEUR D'AIRE PORTABLE DE 56,8 L (15 GAL.)

COMPRESOR AIRE PORTÁTIL DE 56,8 L (15 GAL.)

OF150200A



### Customer Service Information:

For parts or service, do not return this product to the store. Contact your nearest RIDGID® authorized service center. Be sure to provide all relevant information when you call or visit. For the location of the authorized service center nearest you, please call 1-866-539-1710 or visit us online at [www.RIDGID.com](http://www.RIDGID.com).

MODEL NO. \_\_\_\_\_ SERIAL NO. \_\_\_\_\_

---

### Service après-vente :

Pour acheter des pièces ou pour un dépannage, ne pas retourner ce produit au magasin. Contacter le centre de réparations RIDGID® agréé le plus proche. Veiller à fournir toutes les informations pertinentes lors de tout appel téléphonique ou visite. Pour obtenir l'adresse du centre de réparations agréé le plus proche, téléphoner au 1-866-539-1710 ou visiter notre site [www.RIDGID.com](http://www.RIDGID.com).

NO. DE MODÈLE \_\_\_\_\_ NO. DE SÉRIE \_\_\_\_\_

---

### Información sobre servicio al consumidor:

Para piezas de repuesto o servicio, no devuelva este producto a la tienda. Comuníquese con el centro de servicio autorizado de productos RIDGID® de su preferencia. Asegúrese de proporcionar todos los datos pertinentes al llamar o al presentarse personalmente. Para obtener información sobre el centro de servicio autorizado más cercano a usted, le suplicamos llamar al 1-866-539-1710 o visitar nuestro sitio en la red mundial, en la dirección [www.RIDGID.com](http://www.RIDGID.com).

NÚM. DE MODELO \_\_\_\_\_ NÚM. DE SERIE \_\_\_\_\_

### ONE WORLD TECHNOLOGIES, INC.

P.O. Box 1427  
Anderson, SC 29622, USA  
1-866-539-1710 ■ [www.RIDGID.com](http://www.RIDGID.com)

*RIDGID is a registered trademark of RIDGID, Inc., used under license.*