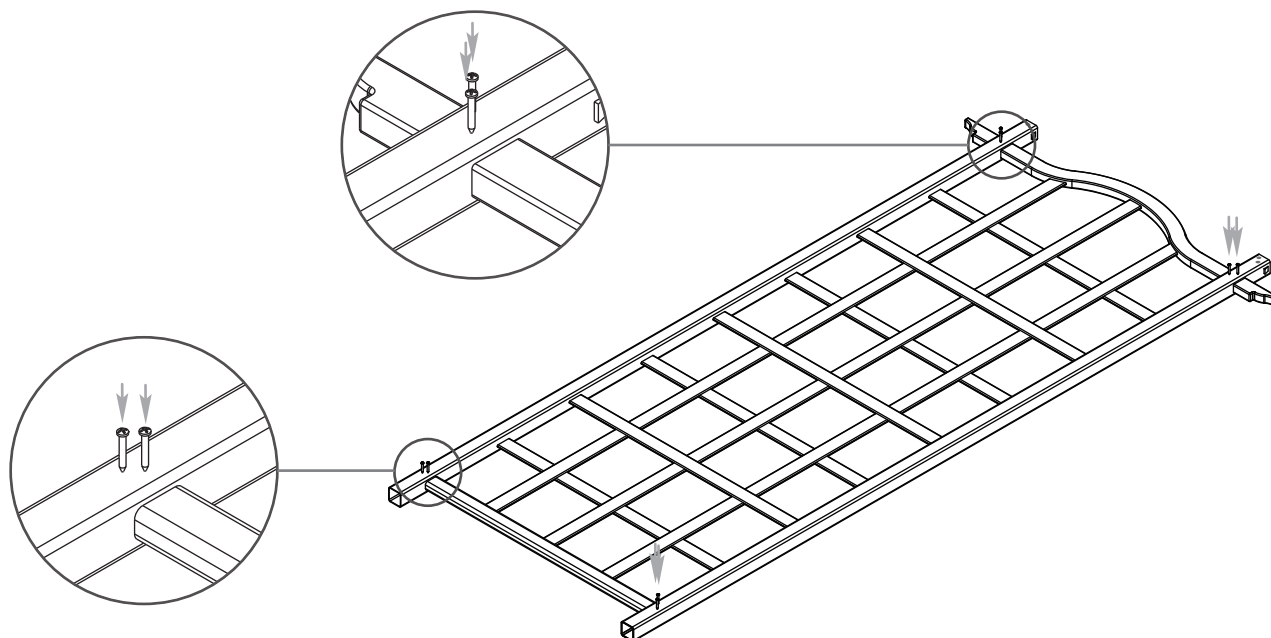


STEP TWO

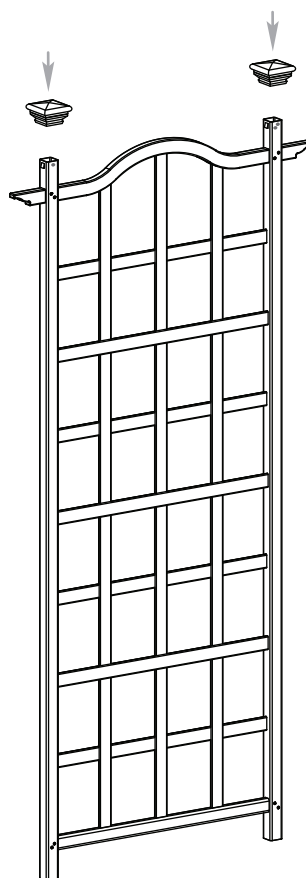
Install Screws

Secure the trellis with 8 of the provided screws at the locations shown below. Ensure the trellis posts and rails are square to each other.



Install Post Caps

Push the post caps to the posts as illustrated.



Eden[™]

Enduring Garden Architecture