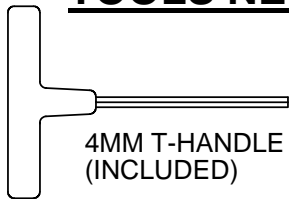


# Ivy Terrace™

Model: IVTD212

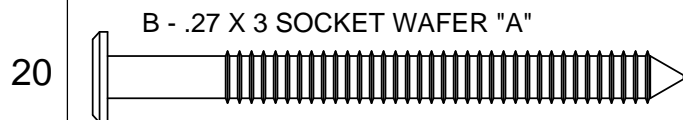
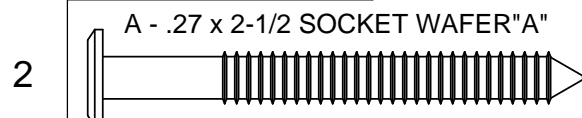
- (1) Seat assembly
- (2) Front leg with arm (LH/RH)
- (1) Back leg assembly
- (1) Foot rest
- (2) Short brace (LH/RH)
- (2) Long brace (LH/RH)
- (1) Hardware pack

## TOOLS NEEDED

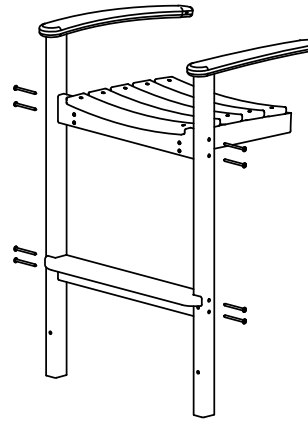


4MM T-HANDLE HEX KEY  
(INCLUDED)

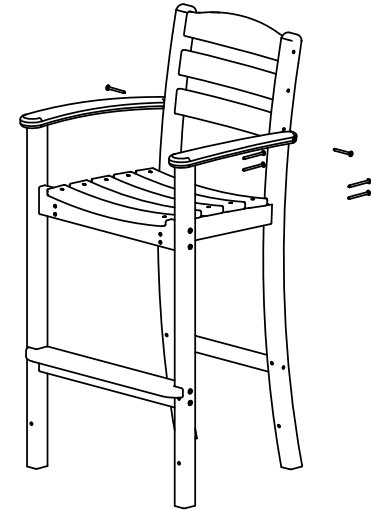
Qty.	Description
2	A - .27 x 2-1/2 SOCKET WAFER "A"
20	B - .27 X 3 SOCKET WAFER "A"



**Step 1**  
Attach legs to the seat assembly and footrest with (8) 3" screws

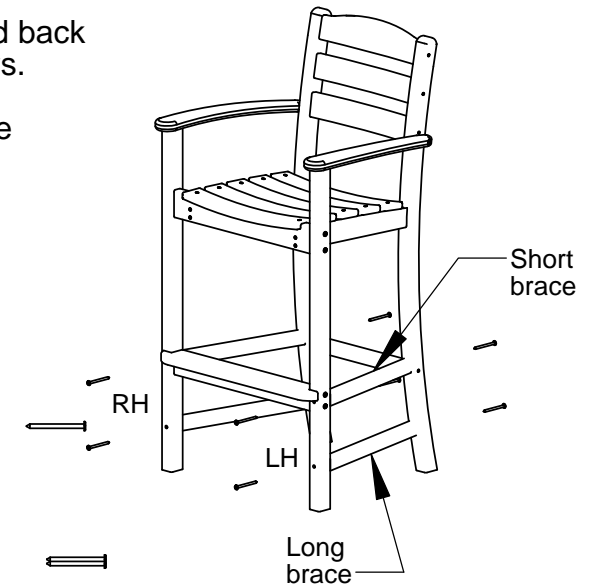
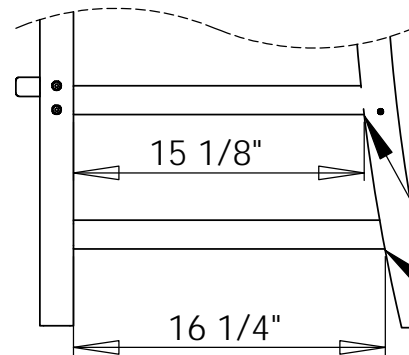


**Step 2**  
Attach arms to back leg assembly using (2) 2½" screws  
Attach back leg assembly to seat assembly using (4) 3" screws



**Step 3**  
Attach braces between the front and back legs with the remaining (8) 3" screws.

**Note:** Compound angle cut on brace should be attached to the back leg



12° Compound angle cut with long edge on bottom  
\*Note: Braces are also RH and LH

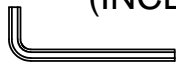
# Ivy Terrace™

Models: IVRCT236, IVRBT236

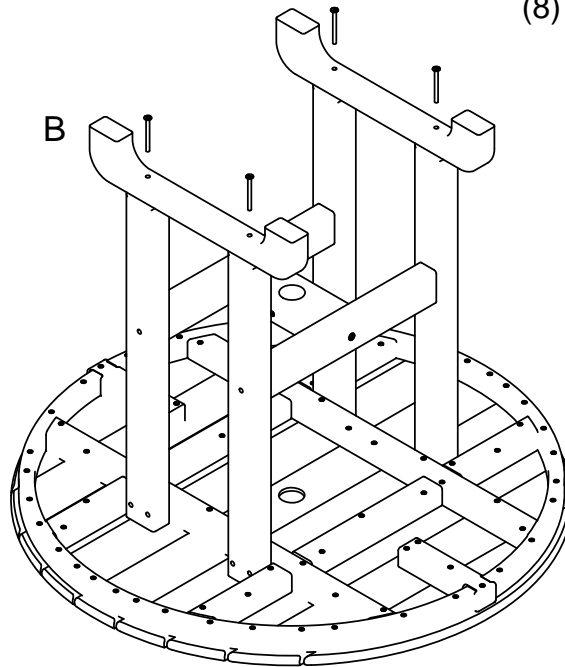
- (1) Table top
- (4) Leg
- (2) Foot
- (2) Brace
- (1) Umbrella Brace
- (1) Hardware pack

## TOOLS NEEDED

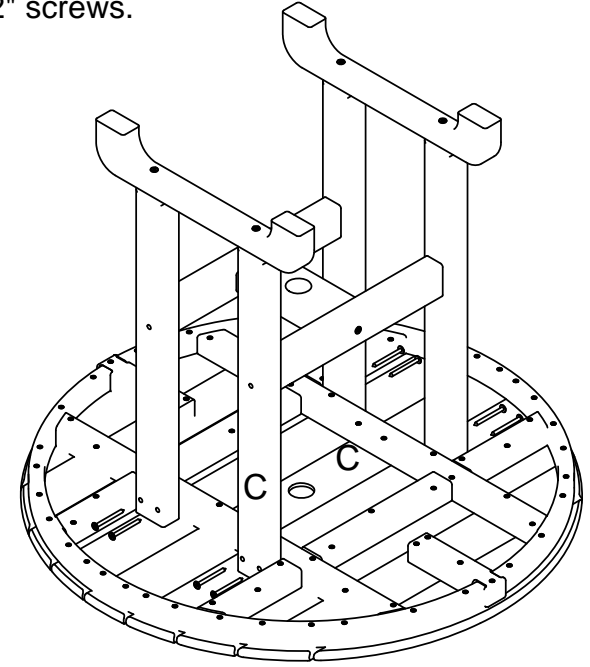
4mm HEX KEY, ALLEN  
(INCLUDED)



**Step 1**  
Attach feet to legs using  
(4) 2 1/2" Chair bolts (*fine thread*)



**Step 2**  
Lay the table top on a flat surface.  
Attach the leg assemblies to the table top using  
(8) 2 1/2" screws.



**Step 3**  
Attach leg braces using  
(4) 3" screws

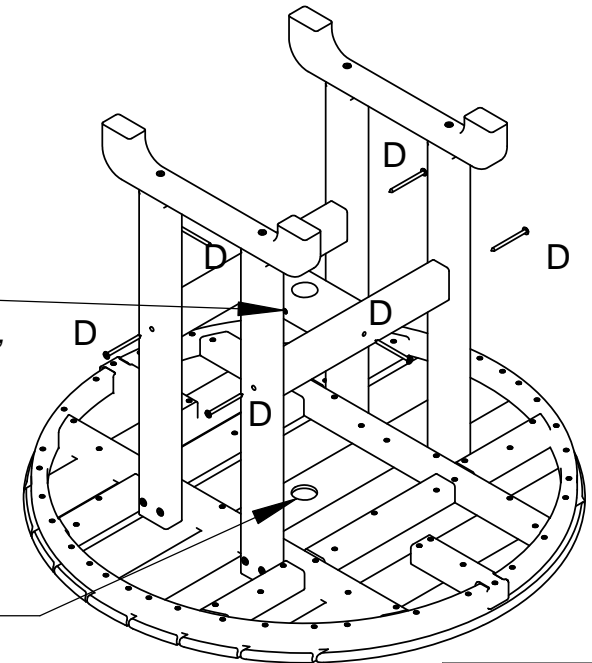
Attach umbrella brace to  
the leg braces using (2) 3" screws.

Install 1 1/2" bolt into threaded insert on  
the umbrella brace.

*\*Please note: umbrella support optional,  
can be removed if necessary to fit  
umbrella stand*

**Step 4**  
Set table upright and tighten all bolts

Removable table plug  
included in table.



Qty. Description

1	A - 1/4-20 X 1-1/2 WAFER SHCS FINE THREAD
4	B - 1/4-20 X 2-1/2 WAFER SHCS FINE THREAD
8	C - .27 X 2-1/2 WAFER SOCKET "A"
6	D - .27 X 3 WAFER SOCKET "A"