

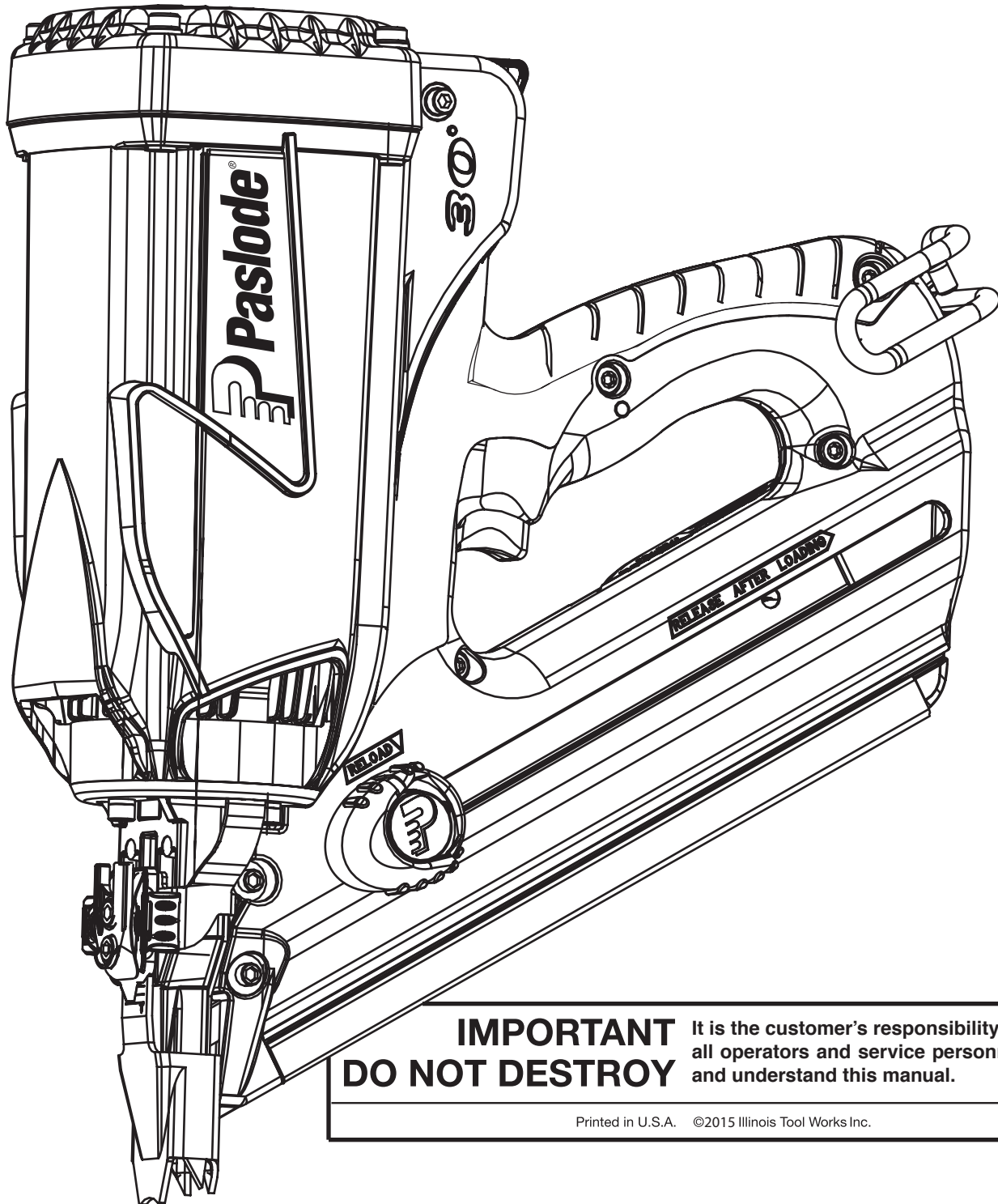
OPERATING MANUAL— Cordless Framing Nailer



Model CF325XP
Part No. 905600

Model B20543P
Part No. 905700

Model CF325IM
Part No. 905800



IMPORTANT DO NOT DESTROY It is the customer's responsibility to have all operators and service personnel read and understand this manual.

Printed in U.S.A. ©2015 Illinois Tool Works Inc.

Introduction

Paslode Cordless Framing Nailer Operating Manual

This manual is intended to acquaint you with the Paslode® Cordless Framing Nailer. Unlike other power fastening tools, the Cordless Framing Nailer is powered by an internal combustion linear motor. In simpler terms, your Cordless Framing Nailer is powered by a motor similar to the one that powers an automobile. The Cordless Framing Nailer ignites a fuel and air mixture to produce the energy to drive the motor, which in turn drives the fastener. As you will see, the Cordless Framing Nailer is totally self-contained. It carries its own fuel supply and battery, along with a supply of fasteners.

For ease of use, this manual is divided into sections (see Contents). Each section of the manual is written with you, the tool operator, in mind. We have left out all of the technical terms so that you can readily understand how to get the maximum performance from your Cordless Framing Nailer, and how to avoid damaging the tool or injuring yourself. But, to accomplish this, we need you to do two things:

- 1. READ THE MANUAL FROM COVER TO COVER BEFORE USING THE TOOL.**
- 2. FOLLOW ALL INSTRUCTIONS IN THE MANUAL.**

The Cordless Framing Nailer should be handled like other power fastening tools that you use. Like most tools, when used improperly it could result in injury. If you are going to allow others to use the Cordless Framing Nailer, it is your responsibility to make sure that they also read and comply with the instructions in this manual before attempting to operate the tool.

Should you have questions about the Cordless Framing Nailer, or wish to obtain additional copies of this manual, please contact your Paslode® representative. The space below is provided so that you may record your representative's name, address, and telephone number.

My Paslode representative is:

Name

Address

City State Zip

Telephone Number

Subject	Page
Introduction.....	2
An Overview of the Paslode Cordless Framing Nailer	4
Safety Instructions.....	5
Battery and Charging System	8
Fuel Cell and Metering Valve	10
Preparing the Paslode Cordless Framing Nailer for Use	13
Paslode Cordless Framing Nailer Operation.....	14
Fasteners and Applications	15
Servicing	16
Troubleshooting	18

The battery charger meets all safety requirements for power tools.



Paslode[®] is a trademark
USA
An Illinois Tool Works Co.
155 Harlem Avenue
Glenview, IL 60025
www.paslode.com

Paslode[®] Power Nailers are made in the U.S.A.

Paslode[®] is a member of:



An Overview of the Paslode Cordless Framing Nailer

Description

The Paslode Cordless Framing Nailer is a self-contained, fully portable nailer that uses liquid hydrocarbon fuel to power a unique linear drive internal combustion motor.

As with any internal combustion motor, the Paslode Cordless Nailer will require periodic maintenance to keep it operating at its peak performance. The cleaning procedure booklet will instruct you on the proper cleaning of your tool. If additional services are required, contact your local Paslode service provider.

Specifications

Dimensions: Weight (with battery) 7.2 pounds
Height 14-1/2 inches
Length 12 inches

Cycle Rate: Intermittent Operation – 2 to 3 nails per second

NOTE: Exceeding these rates could cause tool to overheat, resulting in loss of performance or damage to tool components.

By using the Paslode Cordless Framing Nailer at its recommended cycle rate, you will be able to drive several thousand nails in a typical workday.

Fasteners: 30° paper tape collation
Minimum 2 inch x .113 diameter shank
Maximum 3-1/4 inch x .131 diameter shank

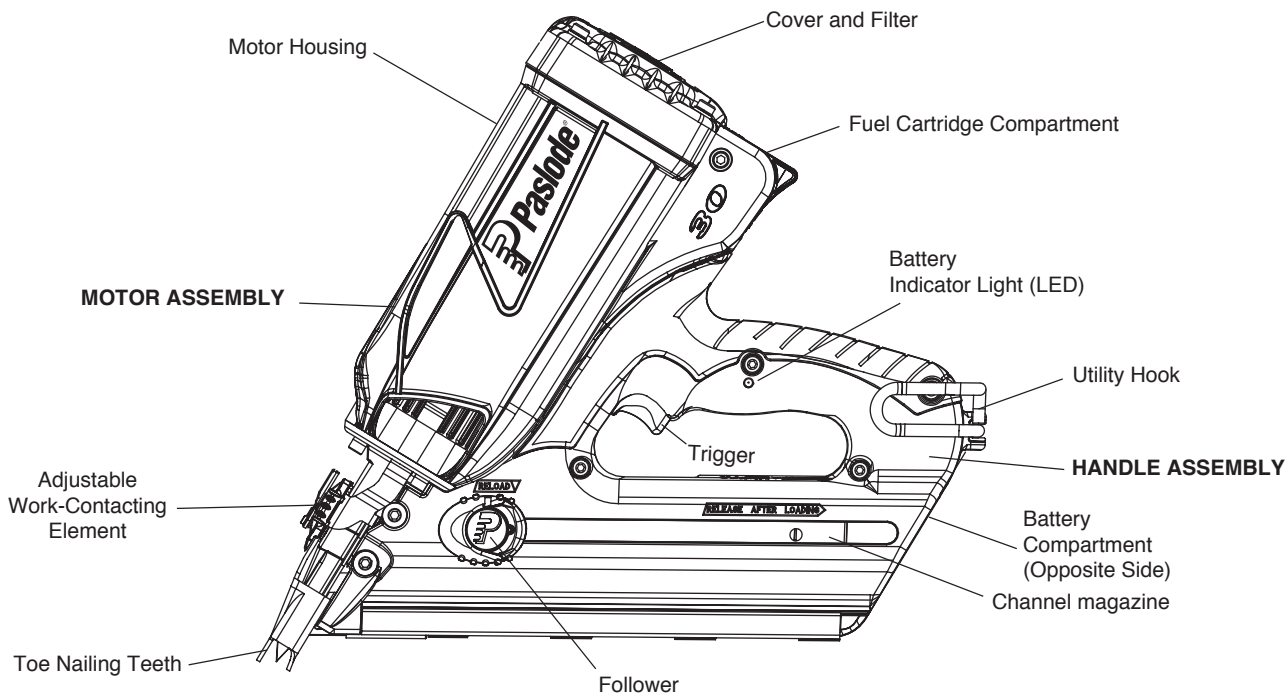
Magazine Capacity: 1 nail strip + 5 fasteners.

Battery : 7.4 volts DC - Provides enough energy to drive approximately 9000 fasteners on a full charge.

Fuel Cell: Orange quicklode™ fuel cartridge (1.32 oz)
Liquid hydrocarbon - Provides enough fuel to drive approximately 1200 fasteners.

NOTE: Altitude Restriction

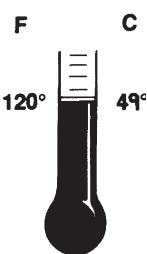
Paslode Cordless tools are powered by an internal combustion engine and are effected by altitude. The tool may lose power or not cycle consistently at elevations of 6000 feet or greater.





Safety Instructions


The following safety instructions have been included in this booklet to provide you with basic information necessary for safe operation of the Paslode Cordless Framing Nailer. **DO NOT ATTEMPT TO OPERATE THIS TOOL UNTIL YOU HAVE READ AND UNDERSTAND ALL SAFETY PRECAUTIONS AND MANUAL INSTRUCTIONS.**

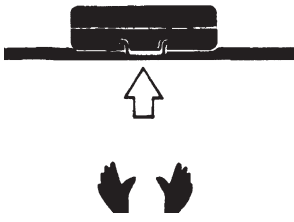
In addition to these instructions, training may be necessary. Contact your Paslode representative for additional information.

	<p>! WARNING</p> <p>Never expose or store the tool, fuel or battery at temperatures in excess of 120° F (49° C). Fuel and/or the battery may burst, releasing flammable gas.</p>
--	---

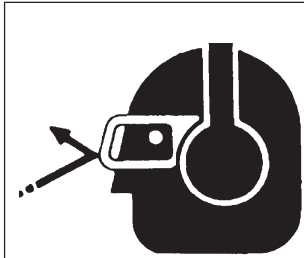
	<p>! WARNING</p> <p>The Paslode Cordless Framing Nailer is an internal combustion device. It produces hot exhaust gases that may ignite flammable materials. Never use the tool in a combustible environment or in the presence of combustible materials, such as flammable chemicals, adhesives, gasoline, or solvents.</p>
--	---

	<p>! WARNING</p> <p>This tool must be operated only in a well-ventilated environment, because the tool exhausts carbon monoxide similar to a gas chainsaw or lawnmower. Exposure to carbon monoxide from use in enclosed areas, may cause dizziness, nausea, or unconsciousness or death.</p>
--	---

	<p>! WARNING</p> <p>Never attempt to operate this tool until you have read and understood all safety precautions and manual instructions.</p> <p>Failure to follow all safety precautions instructions may result in a permanent loss of vision, serious personal or even fatal injury, property damage and/or tool damage.</p>
---	--

	<p>! WARNING</p> <p>ALWAYS keep the Cordless Framing Nailer, fuel cartridge, battery cell and battery charger out of the reach of children.</p>
--	---

Safety Instructions



WARNING

EYE and EAR safety gear must be worn when working with or in the vicinity of the Paslode Cordless Framing Nailer.

1. Eye protection must meet the requirements of ANSI Standard Z87.1 and should have side shields for increased protection. As an employer you are responsible for enforcing the use of eye protection equipment by the tool operator and all personnel in the work area.

2. NEVER ASSUME THE TOOL IS EMPTY.

Never point the tool at yourself or anyone else.

3. NEVER ENGAGE IN "HORSEPLAY" WITH THE TOOL.

The Cordless Framing Nailer is not a toy – it is a tool. Careless and improper use may result in a serious accident.

4. NEVER CARRY THE TOOL WITH YOUR FINGER ON, OR SQUEEZING, THE TRIGGER.

This practice may result in the accidental discharge of a fastener.

5. NEVER OPERATE A MALFUNCTIONING TOOL.

Refer to the servicing or troubleshooting section of this manual to correct the problem. If the problem cannot be corrected, stop using the tool and report it to your supervisor or Paslode representative.

6. DO NOT LOAD FASTENERS WITH THE TRIGGER AND/OR WORK CONTACTING ELEMENT PRESSED IN. A fastener may be accidentally discharged.

7. NEVER OPERATE THE TOOL WITH THE WORK CONTACTING ELEMENT REMOVED OR DISABLED.

This device helps reduce the possibility of accidental fastener discharge by preventing the tool from operating until it is completely against the work surface.

NEVER operate the tool if the work contacting element is not working properly.

8. ALWAYS POINT THE TOOL AWAY FROM YOURSELF AND OTHERS WHEN CLEARING JAMS OR REMOVING FASTENERS. REMOVE THE FUEL CARTRIDGE AND BATTERY.

Pull the follower slightly back and push the release lever. Tip the tool nose up slightly and fasteners should slide out of the rear of the magazine. If fasteners are jammed, refer to the appropriate servicing section of this manual.

9. NEVER OPERATE THE CORDLESS FRAMING NAILER IF PARTS ARE LOOSE, DAMAGED OR MISSING.

10. NEVER DRIVE FASTENERS INTO KNOTS OR ON TOP OF OTHER FASTENERS.

A fastener may ricochet and cause serious injury.

11. OPERATE THE TOOL ONLY ON THE WORKPIECE.



WARNING



The Cordless Framing Nailer must be operated only when it is in contact with the work surface. When fastening thin materials such as plywood, be sure to position the tool so that the fastener is driven into the underlying piece.

12. NEVER DRIVE FASTENERS INTO AREAS WITH CONCEALED HAZARDS.



Always check the area behind the work surface for electrical wiring, gas pipes, water pipes, sewer drains or other potential hazards.

Safety Instructions



13. ALWAYS MAINTAIN SECURE AND UNOBSTRUCTED FOOTING WHEN ON LADDERS, PLATFORMS OR OTHER HIGH LOCATIONS.

	 WARNING
	<p>Never over-reach, since tool recoil may cause a loss of balance. Always be aware of edges and drop-offs when nailing on rooftops and other high locations. Keep them in full view.</p>

18. KEEP YOUR HANDS CLEAR OF THE WORK AREA SURFACE.



	 WARNING
	<p>A fastener may exit at an angle unexpectedly and cause injury.</p>

14. ALLOW ONLY QUALIFIED PERSONNEL TO OPERATE THE CORDLESS FRAMING NAILER.

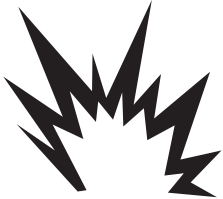

	 WARNING
	<p>Only persons who have read and fully understand all tool operation, safety and maintenance instructions should be allowed to operate the tool.</p>

CHARGING SYSTEM SAFETY INSTRUCTIONS!

**IMPORTANT SAFETY INSTRUCTIONS!
SAVE THESE INSTRUCTIONS!**

 DANGER 
<p>TO REDUCE THE RISK OF FIRE OR ELECTRIC SHOCK, CAREFULLY FOLLOW THESE INSTRUCTIONS</p>

15. PROPERLY STORE FUEL CELL.

	 WARNING
	<p>Always store tool, fuel cartridge and battery where they will not be exposed to an open flame, sparks or temperatures above 120° F (49° C).</p>

For connection to a supply outside North America, use an attachment plug adapter of the proper configuration for the power outlet, if needed.

16. ALWAYS STORE THE TOOL WITH THE FUEL CARTRIDGE AND BATTERY REMOVED.

Store the fuel cartridge in the case with the Cordless Framing Nailer.



17. KEEP THE TOOL CLEAN AND WELL MAINTAINED.

A clean tool is less likely to jam or malfunction.

Battery And Charging System

Important Charging Notes:

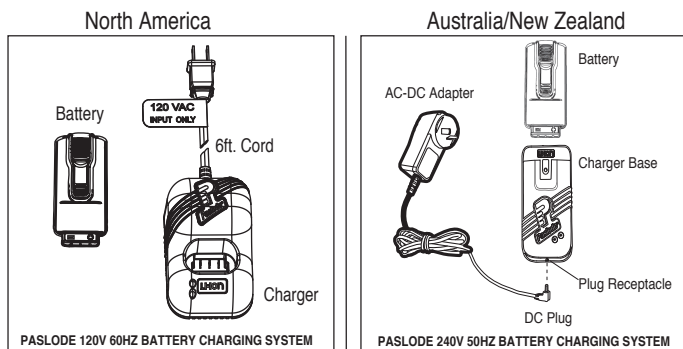
The Paslode Cordless tool comes with a rechargeable Lithium Ion (Li-ion) battery and its own charging system. This charging system is the **only one that will work with Paslode Li-ion batteries**. The first step in preparing a new tool for operation is to fully charge the battery. **New batteries are shipped partially discharged and must be charged prior to first use.** Batteries will take 5 minutes to 1.5 hour (time will be dependant on the amount of discharge within the battery) to recharge.

	 WARNING
	<p>CHEMICAL/EXPLOSION HAZARD</p> <p>Read ALL instructions before charging or using battery. Failure to follow ALL instructions may result in fire, severe burns, or release of toxic materials.</p>

Battery disposal:

The Paslode batteries contain lithium and should be recycled or disposed of properly.

You may contact your local recycling center for information on where to return the spent battery or call 1-800-822-8837 for information on Li-ion battery recycling in your area.

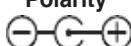


TECHNICAL DATA

Battery
7.4 VDC, 2150mAh, Lithium-ion
Charger Input 120V AC, 60HZ

Output 12VDC, 1.8A

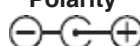
Polarity



Battery
7.4 VDC, 2150mAh, Lithium-ion
Impulse Charger Base 12VDC
Impulse Adapter (AC-DC) Input
Australia/New Zealand 240V, 50HZ

Output 12VDC, 1.8A

Polarity



Charging Instructions:

1. North America

Remove the charger unit from the tool case and plug it into a 120V AC outlet. Set the charger base on a stable surface. A green light will come on to indicate the power is on and the charger circuit is ready.

1B. Australia/New Zealand

Remove the wall transformer from the tool case and plug into a 240V AC outlet. Set the charger base on a stable surface and insert the wall transformer unit's plug into the plug receptacle on the base of the charger (see diagram). A green light indicates power is on and charging system is ready.

- Remove the battery from tool or case and insert terminals down into charger. The red light will come on indicating that the battery is charging and the green light will go out.

NOTE

If battery is completely discharged the red light and the green light may flash back and forth for up to 20 minutes. This safety feature slowly recharges the battery until it is ready to accept the full charging current. If the red and green lights continue to flash after 20 minutes, replace the battery.

- After charging, the red light will go out and the green light will come on, indicating that the battery is fully charged. The charger will keep the battery at full charge until it is removed.
- Unplug the charger from the 120V AC or 240V AC outlet.

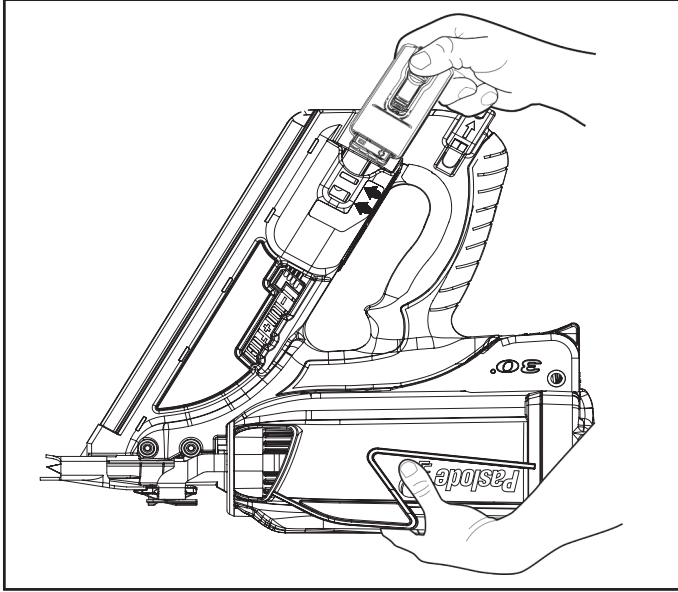
Charging Times:

First charge (new battery)	1.5 hours
Discharged Battery	5 minutes to 1.5 hours

Charging Don'ts:

- Never charge battery outdoors or in temperatures below 40°F (5°C).
- Never allow metal objects to come in contact with battery terminals.
- Never puncture or attempt to open battery case or cells.
- Never store battery where it will be subjected to temperatures above 120°F (49°C).
- Never incinerate battery.
- Never use a defective battery charger, one that overheats and/or smokes when plugged in.
- Never immerse the battery or charger in water.

Battery and Charging System



Inserting Battery

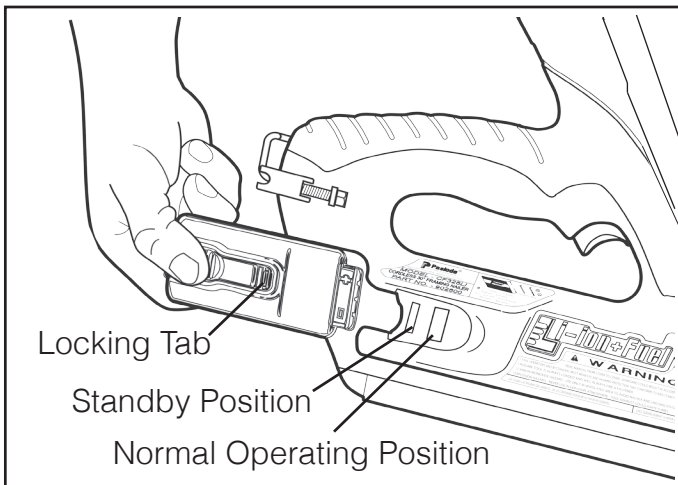
1. Load the battery, contacts first, into the Cordless Framing Nailer.
2. Push battery fully forward into its locked position.
3. To remove battery, push down on locking tab and slide battery out.

NOTE: If battery is left in tool for an extended period of time in the normal operating position, the battery will discharge completely and will require recharging.

Battery Standby

The battery can be placed in the standby position if the tool is not going to be used for a period of time.

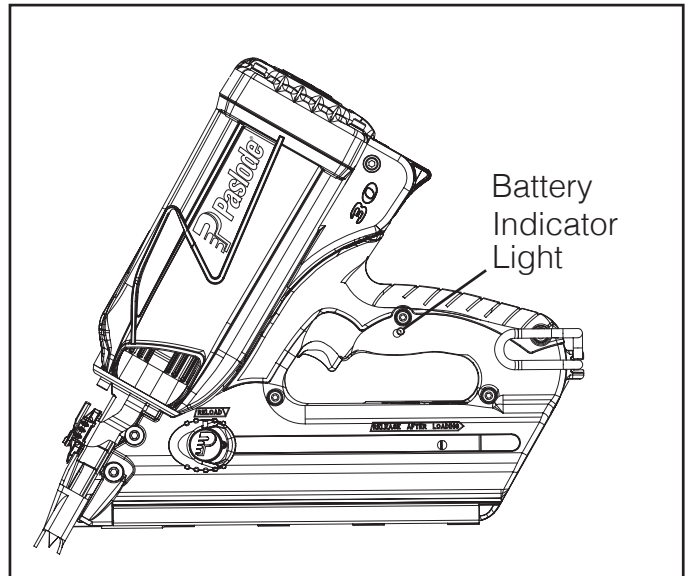
To place the battery into the standby position, push down on the locking tab and slide the battery back so that the locking tab engages into the standby position in the handle.



Battery Indicator Light




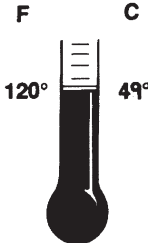
The illustration is a close-up of the side of the Paslode Cordless framer handle. On the side of the handle is a small plastic lens. This is the battery indicator light.


When you insert a fully-charged battery into the tool, you will see a blinking green light. If the light blinks red, recharge the battery.



Quicklode™ Fuel Cartridge

Fuel Cartridge

	 WARNING
	EXPLOSION/FIRE HAZARD <p>Read ALL safety instructions before using or handling the fuel cell. Failure to follow ALL instructions may result in explosion or fire. This may cause serious personal injuries or property damage.</p> <p>Keep the fuel cartridge away from heat, sparks and open flame. Do not smoke when handling or operating tool or fuel cartridge.</p> <p>Exposure to temperatures above 120°F (49°C) may cause the fuel cartridge to burst, releasing flammable gas.</p>
	
	

 WARNING
<p>Sunlight can raise the inside temperature of an unventilated motor vehicle or storage container to above 140°F (60°C).</p> <p>Never puncture or attempt to open the fuel; it is nonrefillable.</p> <p>Never incinerate, reclaim or recycle the fuel.</p> <p>Never smoke while installing or operating the fuel cartridge or tool.</p> <p>Never inhale the spray.</p> <p>Keep out of the reach of children.</p> <p>Store fuel cartridge(s) in well-ventilated areas only.</p>



There is a second container inside the fuel cartridge. This inner container holds the fuel. The space between the inner container and the outer cylinder is filled with a gas, called the propellant, which is under pressure.

To eject the fuel, propellant pressure squeezes the inner fuel container much as you squeeze a tube of toothpaste. This squeezing action ensures that all the fuel is used, and that the Cordless Nailer can operate in any position.

However, over time the propellant pressure diminishes until it is no longer able to squeeze the inner fuel container. This is why a nailer using a fuel cartridge beyond the "Best Use Before" date may not work consistently or at all.

If you expose the empty or expired fuel cartridge to extreme temperatures, the propellant gas will expand and could cause the container to burst, releasing flammable gases.

The fuel contains a small amount of oil to keep the tool lubricated during use. **It is not necessary to oil the tool during normal operation.** When cleaning the tool, use only Paslode Cordless tool oil. Using oils not formulated for the Paslode Cordless Tool, may cause loss of power and may damage the internal parts of the tool's motor.

 DANGER 
<ol style="list-style-type: none">1. Do not attempt to remove or reuse the fuel cartridge cap.2. Do not attempt to install the fuel cartridge cap on other fuel cells. This may result in damage to the tool and injury to the user and by standers!

NOTE
<ol style="list-style-type: none">1. Never attempt to refill the cartridge! Replace with fresh fuel cartridge, and dispose of spent cartridge properly.2. When replacing fuel cartridge also clean or replace air filter for optimum tool operation.

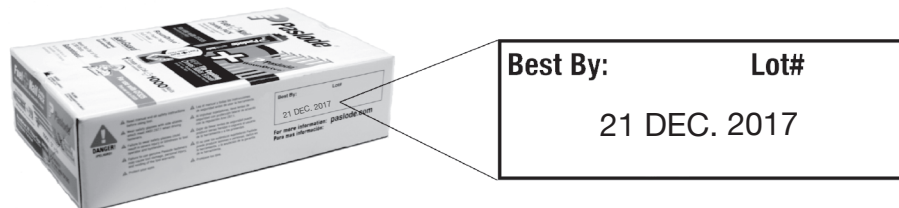
NOTE: Altitude Restriction
Paslode Cordless tools are powered by an internal combustion engine and are effected by altitude. The tool may lose power or not cycle consistantly at elevations of 6000 feet or greater. For optimum performance use at 6000 feet or less.

Quicklode™ Fuel Cartridge

NOTE:

Paslode Cordless fuel cartridges are marked with a best use before date on the bottom of the can and on the Fuel Fastener Pack carton.

For maximum performance use fuel before “Best Use Before” date.



Paslode Cordless Fuel Cartridges are flammable.
Do not remove fuel cartridge cap or install on other fuel cells!

Paslode Cordless Fuel Cell/Cartridge Disposal Guidelines

Paslode the industry leader in cordless technology provides this information to assist users with the proper disposal of discarded fuel cells/cartridges. Acceptable disposal options vary depending on the type of fuel cell/cartridge users. All users must consider federal, state and local solid waste regulations to ensure that discarded fuel cells/cartridges are disposed of properly. Users must contact their local solid waste authority for further guidance.

Discarded fuel cells/cartridges (used or unused) may be considered hazardous waste under the Resource Conservation and Recovery Act (RCRA) depending on several factors as described in the paragraphs that follow. Upon disposal used and unused fuel cells/cartridges may be classified as ignitable hazardous waste (waste code D001) under U.S. EPA regulations.

Hazardous waste generated by homeowners and contractors who perform routine maintenance for homeowners in their homes are not regulated by RCRA. In general, "household wastes" generated by homeowners and their contractors are exempt from hazardous waste regulation because those wastes are expressly excluded from the definition of hazardous waste. For example US EPA has excluded as "household waste" aerosol cans that contain residual product and propellant. Thus under federal hazardous waste regulations homeowners and contractors may dispose of discarded fuel cells/cartridges as general refuse in a properly permitted municipal landfill. These users must still contact their local solid waste authority to determine if any state or local regulation prohibits or restricts such disposal.

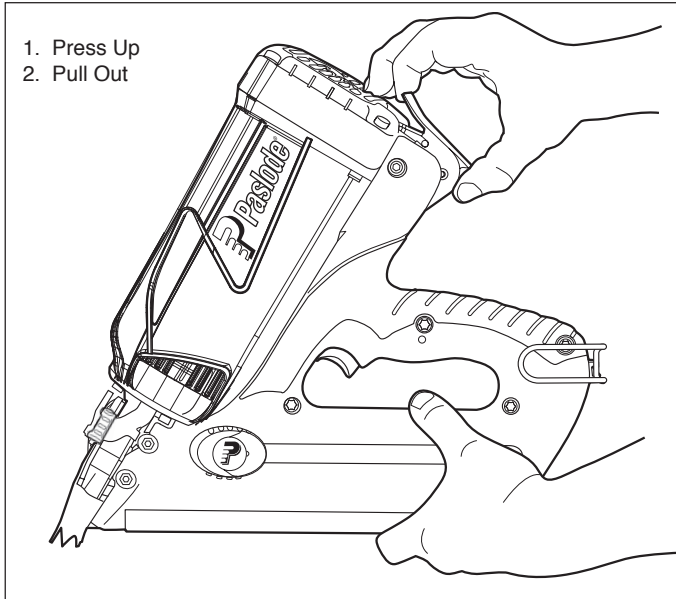
Paslode takes no responsibility for proper fuel cell/cartridge disposal. Proper disposal remains the responsibility of sellers and users. All sellers and users must contact their local solid waste authority to determine if any federal, state or local regulation prohibits or restricts disposal. Users may obtain more information about U.S. EPA hazardous waste regulations at the following internet address: www.epa.gov/epaoswee.osw/hazwaste.htm

Alternatively users may contact U.S. EPA's RCRA Superfund Call Center at 1-800-424-9346 to receive more information.

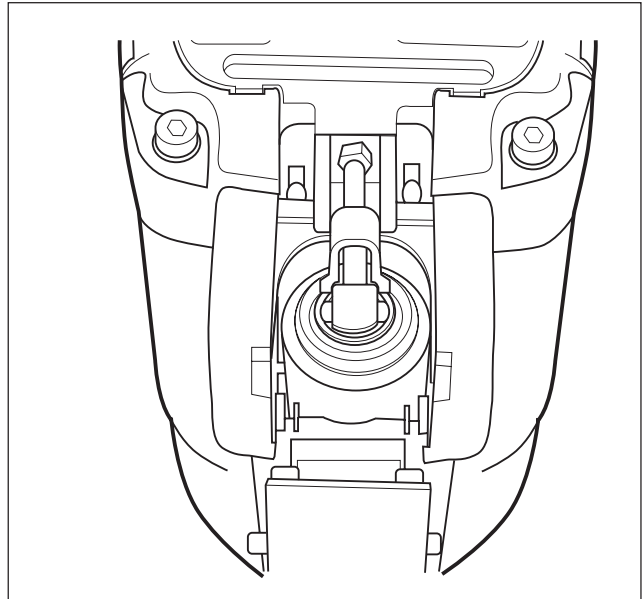
Quicklode™ Fuel Cartridge

Inserting Fuel Cartridge

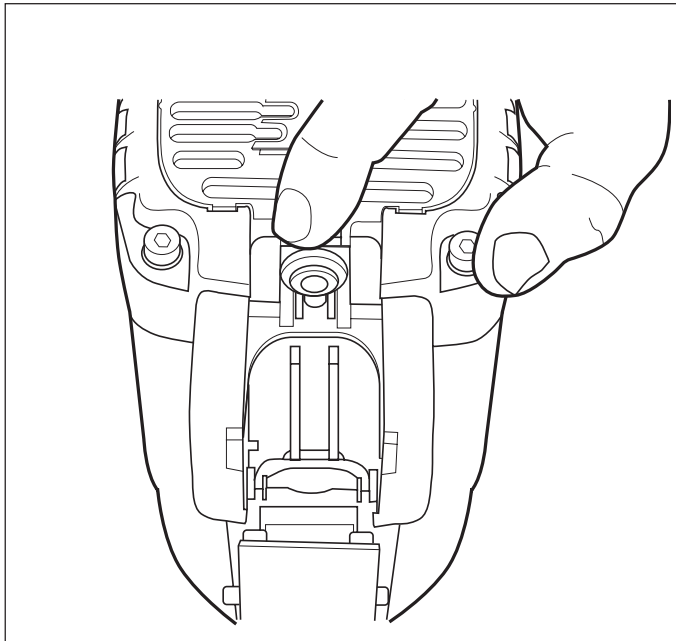
A. Inserting the fuel cartridge into the Cordless Framing Nailer is very simple. To begin, press up at the bottom of the actuator cover and pivot outward to open. The cover will swing out of the way.



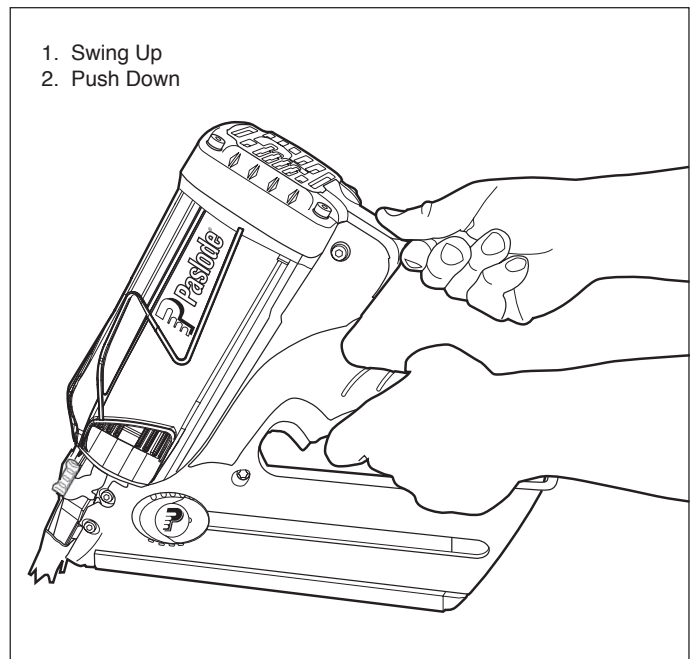
C. Release the adaptor so it is centered on the fuel cartridge.



B. Lift the fuel cartridge adaptor and insert the Quicklode fuel cartridge into the tool.



D. Close the actuator cover to complete the loading of fuel in the Cordless Framing Nailer. Do this by swinging it up and over the fuel cartridge, and pushing down until the actuator cover snaps into position.



Preparing the Paslode Cordless Framing Nailer for Use

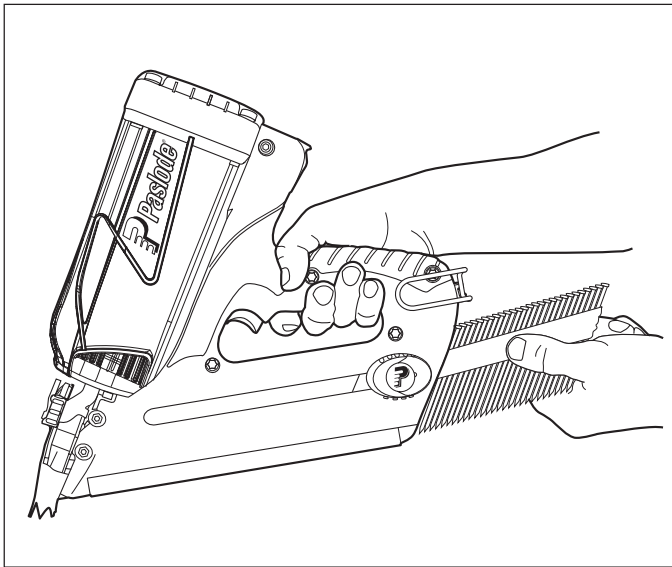
Fasteners

The Paslode Cordless Framing Nailer drives Paslode RounDrive® nails, which have been collated into strips. The use of nails that do not meet Paslode standards could cause tool damage and void your warranty. Paslode nail sizes and types are illustrated in the Fasteners and Applications section.

Loading Fasteners

STEP 1: To load, pull the follower handle back to the rear lock position (button will pop up).

STEP 2: Insert a strip of nails and release follower by pushing on button.



There is a reload indicator on follower and tool. A full strip can be loaded in this area as shown above.

Lockout Feature

The purpose of this feature is to prevent needless blank cycling, which could waste fuel and damage tool components. Five (5) nails will be left in the magazine when the follower reaches the lockout area. The indicator arrow shows that you can reload. It does not indicate that the Cordless Framing Nailer is empty. Because of a lockout feature in the Cordless Framing Nailer it will not operate when the nail supply in the tool is less than six (6) nails.

Paslode Cordless Framing Nailer and Outdoor Weather

Use the Cordless Framing Nailer outdoors, in clear weather, when the nailer, fuel cartridge, and battery are between 14°F (-10°C) and 120°F (49°C).

HOT WEATHER OPERATION

The Cordless Framing Nailer requires cooling of the motor assembly to operate properly. The fan normally provides the necessary air flow to permit continuous operation. Whenever the Cordless Framing Nailer is idle for extended periods, keep the fuel and tool out of direct sunlight and in surroundings where temperatures will not exceed 120°F (49°C). After extended periods of continuous use, it may be necessary to cool the motor by setting tool aside for 10-15 minutes or until the tool operates normally. An overheated tool may not drive nails completely or may operate erratically.

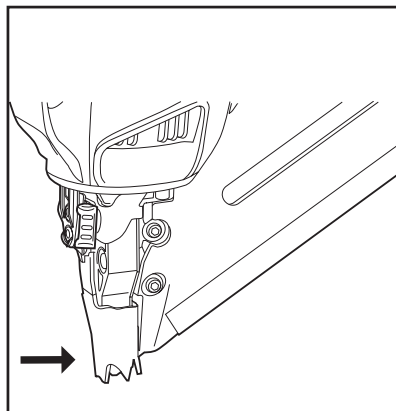
COLD WEATHER OPERATION

Fuel at cold temperatures lose the required propellant force. Bring the tool, battery, and fuel cartridge above minimum operating temperature without direct exposure to flame, and check the battery.



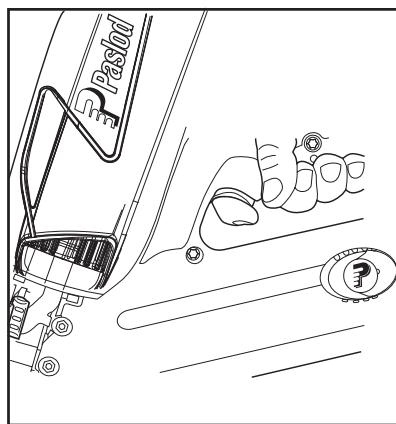
The Cordless Framing Nailer should not be used in the rain or where excessive moisture is present. The use of the Paslode Cordless Technology under these conditions may result in damage to tool components and cause tool to malfunction.

Paslode Cordless Framing Nailer Operation



PRESS WORK CONTACT ELEMENT AGAINST THE WORK SURFACE

Fan motor starts, fuel is injected into combustion chamber and mixed with air by the fan.



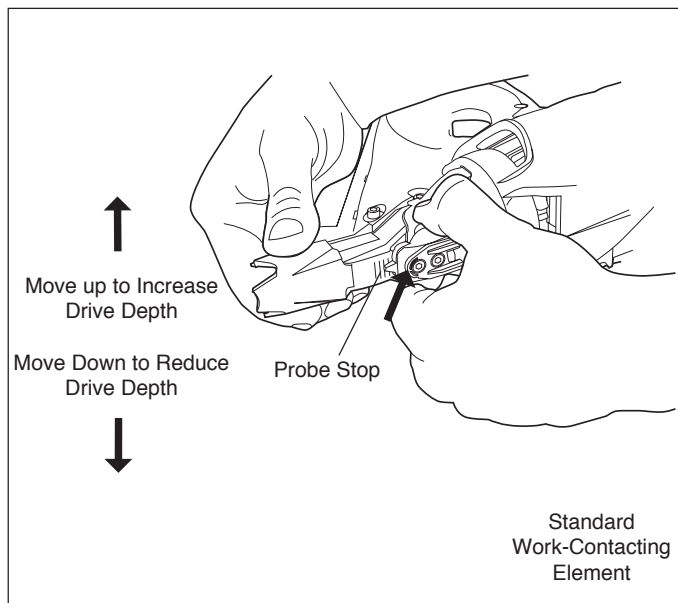
SQUEEZE TRIGGER
Spark plug sparks and fuel/air mixture ignites.

Combustion powers piston assembly driving fastener.

LIFT TOOL -
RELEASE TRIGGER

Combustion chamber opens. Fan exhausts hot gases and cools internal components.

Note: The fan will run for approximately 10 seconds after the last nail is driven



Depth of Drive Adjustment

Remove the battery before adjusting the depth of drive.

The depth of drive adjustment is made by adjusting the work contacting element. Squeezing the probe stop release buttons toward each other will allow the work contacting element to be moved up or down.

If the tool is over-driving (the nail head is driven below the surface of the wood), the work contacting element should be moved down slightly. If the nails stand up (the head is not flush with the work surface), the work contacting element should be moved up slightly. The indicator marks are set at 1/10" increments with a total range of 1/2".

Adjust the work contacting element to get the nail head depth to meet job requirements.

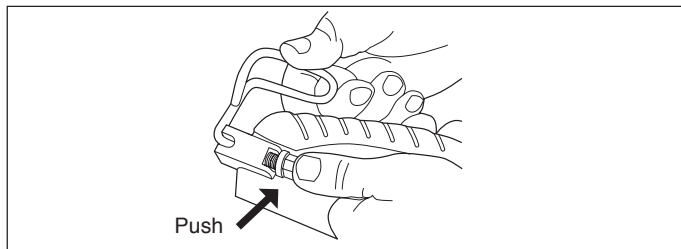
No-Mar Work-Contacting Element

For applications where the work-piece must be mark free, like in siding and recreational decks, order the No-Mar Work-Contacting Element, [Part No. 901252](#)



DANGER

The work contacting element and nose will become hot after prolonged or rapid use. If it becomes necessary to adjust the work contacting element, avoid touching with bare hands.



Adjustable Utility Hook

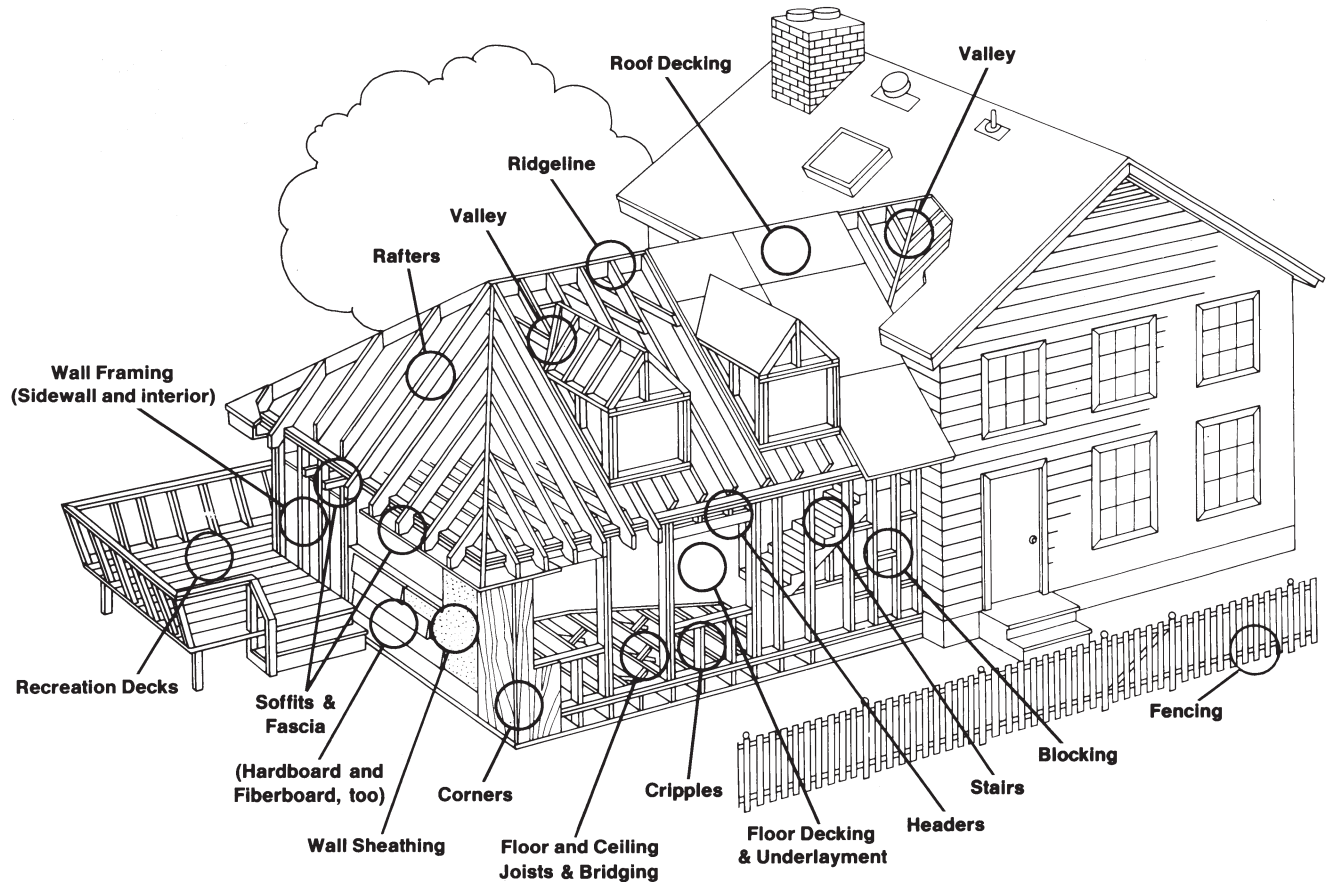
The adjustable utility hook can be used as a belt or rafter hook. To adjust the utility hook, push the black button in the direction of the arrow and rotate it to the desired position.



DANGER

Never attempt to operate the Cordless Framing Nailer unless both adjustment screws are installed. Intentional removal of an adjustment screw could result in improper tool operation, loss of nail control and injury to tool user or bystanders.

Fasteners and Applications



SIZE	TYPE	APPLICATION
2" x .113 (6D)	Common Ring Shank	Underlayment, wall sheathing, roof and floor decking, siding
2" x .113 (6D)	Common ring shank, GalvGuard™	Fencing, siding
2-3/8" x .113 (8D)	Cooler ring shank	Roof & floor decking, underlayment, sheathing
2-3/4" x .113 (8D)	Coated ring shank, GalvGuard™	Recreational decking, siding, fencing
3" x .120 (10D)	Coated nail	Remodeling
3" x .120 (10D)	Ring shank, GalvGuard™	Fencing, recreational decking, siding, tile roofs
3" x .131 (10D)	Coated nail	Framing
3-1/4" x .131 (12D)	Coated nail	Framing

Smooth Shank - For general construction, carpentry and framing: the most popular and versatile.

Ring Shank - The ring shank provides improved withdrawal resistance for applications where the resistance from smooth shank fasteners is not adequate: floor decking, crating, pallets.

Hardened Steel - For attaching wooden plates to green concrete foundations; 2X furring strips to cinder block.

GalvGuard™- These nails are hot dipped galvanized with a baked on polymer coating. They offer the highest corrosion resistance of any galvanized nail. These nails should be used where higher corrosion resistance is required to retard rust and rust staining. Recommended for use in natural wood siding, such as cedar, redwood, cypress and preservative treated lumber. (Not for use in all-weather wood foundations.)

The Paslode Cordless Framing Nailer is not recommended for use with 3" Ring Shank nails in pressure treated lumber.

Servicing

Restrict Field Service to the Following

- CHECKING THE ENERGY LEVEL OF THE BATTERY
- RECHARGING THE BATTERY
- CHECKING THE FUEL CARTRIDGE
- REPLACING THE FUEL CARTRIDGE
- CLEANING THE AIR FILTER
- CLEARING A JAM

Attempts to go beyond these procedures could result in serious personal injury or damage to the Cordless Framing Nailer and voiding the warranty.

There are certain problems you may encounter when you are using the Cordless Framing Nailer that you will be able to correct on the work site. The following field service procedures are the only service procedures you should attempt. Anything else that may appear wrong with the Cordless Framing Nailer should only be diagnosed and repaired by a fully trained service technician. If you have any reason to believe that your problem is beyond the service procedures in this manual, contact your Paslode representative immediately.



DANGER

Never attempt any maintenance of the Paslode Cordless Framing Nailer without first removing the fuel cartridge and battery. Maintenance should be started only after the tool is **completely** inoperative.

Battery Check

Periodically check the battery indicator light in the handle of the Cordless Framing Nailer. When encountering a problem, the first step should always be to make sure the battery has enough energy to operate the tool.

When the work contacting element is pressed on work piece, the fan motor will turn on and blinking green light will turn solid green. If the light blinks red or glows red, recharge battery.

Fuel Cartridge Check

If the nailer's fan operates and the light is green but the tool will not cycle consistently or at all, check the fuel cartridge. First remove the fuel cartridge from the tool and check the "Best Use Before" date stamped on the bottom. If it is beyond this date, the fuel cartridge may not consistently dispense the proper amount of fuel – even if the cartridge has never been used. To test if the cartridge still dispenses fuel:



DANGER

Wear safety glasses when performing this test. Never perform this test near an open flame or sparks, while smoking, or where the fuel may get into your eyes.

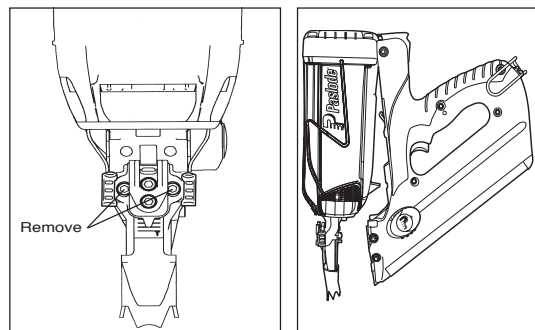
1. Hold the cartridge in the upright position with the flat bottom toward the ground – this orientation is important for a proper test.
2. Gently push the tip of the cartridge cap against a solid object five times.
3. A small amount of fuel should be released all five times.
4. If fuel is not released every time it indicates the cartridge is empty or expired* and must be replaced.

* Expired cartridges may dispense fuel when upside down or sideways but will not work more than a couple of times in the upright position because of the reduced internal pressure (see page 10 for more information).

Clearing a Jam

An occasional problem you may encounter is a jammed fastener. Because of the unique design of the Cordless Framing Nailer, clearing a jammed fastener is easy:

1. Remove the fuel cartridge and battery.
2. Lock follower back in magazine and remove fasteners.
3. Loosen the (2) magazine mounting screws with the 5/32 hex key.
4. Pull handle/magazine away from the nose of the tool and clear jam.
5. Realign handle/magazine to nose, and tighten mounting screws.
6. Reload fasteners and release follower.





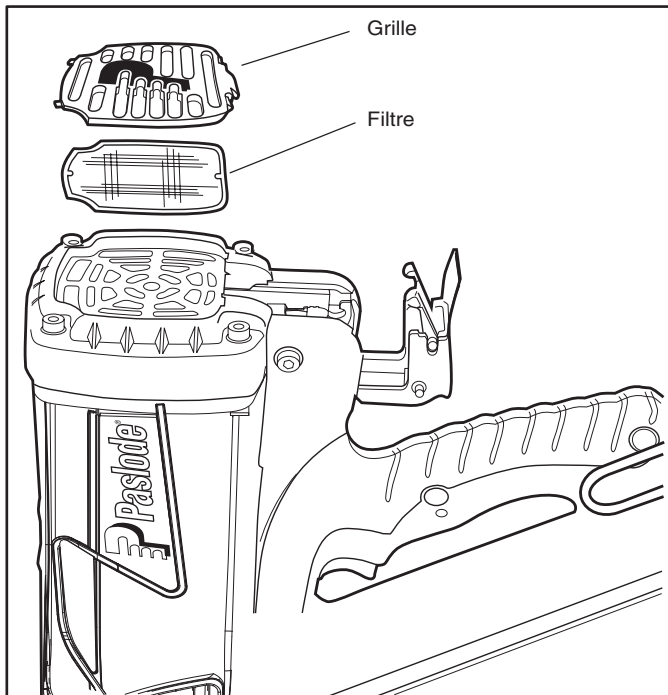
WARNING

Make certain magazine mounting screws are tight and magazine is tight to nose. Attempting to fire tool with a loose magazine will result in loss of nail control, damage to tool, or nail discharge toward operator.

Air Filter

Open the grille by pressing slightly above the adapter, and pivoting the cover open. The air filter simply lifts out.

Tap the filter GENTLY to remove any dust. Check and clean the air filter every two days. Soap and water restores the filter to a "like new" condition.



End-of-Workday Routine

At the end of each workday, conduct an end-of-workday routine. These simple steps are based on maintaining the safety and operational efficiency of the Paslode Cordless Framing Nailer.

Before you leave the work site:

1. Remove battery and store in tool case. Always use the Cordless Framing Nailer case for transporting and storing the tool.
2. Dispose of all empty fuel cartridges. Remember to dispose of these cartridges where they will not be found by children, crushed, punctured, or burned.

When you get home:

1. Place the battery in its charger if it needs charging as indicated by the red charge light on the handle.
2. Wipe your Cordless Framing Nailer with a clean, soft cloth.
3. Remove and clean the filter every two days.

Tool Cleaning and Oiling

Periodic cleaning and oiling are necessary to keep the Paslode Cordless Nailer operating properly. The tool should be cleaned and lubricated at least every 50,000 cycles. This number may vary depending upon the rate at which the tool is used and the operating conditions it is used in. The chart in the cleaning instructions will help you determine how often the tool should be cleaned.

Cordless Framing Nailer Paslode Cordless Tool Accessories

A variety of accessories are available for the Paslode Cordless Framing Nailer:

No-Mar Work Contacting Element - Part No. 901252

Battery - Part No. 902654

Clear Safety Glasses - Part No. 401382

Paslode Lubricating Oil - Part No. 401482

Battery Charger - Part No. 902667

Paslode Cordless Framing Nailer Case - Part No. 905607

Contact your Paslode® representative for additional information.

Tools

A 5/32 Hex Socket Wrench (Part No. 401331) is provided with each Paslode Cordless framer.

Troubleshooting

Preparing Tool for Operation - Battery/Charger Problems

SYMPTOM	POSSIBLE PROBLEMS	SERVICE
Battery does not appear to accept charge when the battery and charger are plugged into the wall mount adapter.	Inoperative indicator lights on charger, or defective charger.	Try battery in tool after a full charge cycle. If tool LED is green, charger is not working properly. Replace charger, or monitor charging time to ensure battery has adequate time for recharging. It is normal for battery to feel warm after properly charging.
Battery charger flashes red/green for more than 20 minutes.	Defective battery.	
	Battery damaged or cycle life exhausted.	Replace battery.
Charger gets hot, makes excessively loud noise, or smokes during charging cycle. Charger cord or wall plug gets hot.	Damaged charger.	Discontinue use immediately and unplug from power source. Replace charger and tag or dispose of charger to prevent accidental reuse or connection to power source.

Normal Stage of Operation

SYMPTOM	POSSIBLE PROBLEMS	SERVICE
Fan does not run - tool indicator light is blinking red or solid red.	Battery is not charged.	Charge battery.
	Battery terminals are oily, dirty, or corroded.	Clean battery terminals with cloth or pencil eraser.
Fan does not run, or runs slower than normal - tool indicator light is solid red.	Battery is discharged.	Charge battery.
Work-contacting element does not depress fully - tool does not operate.	Four (4) or less nails in tool.	Load strip of nails.
	Lockout bracket is stuck in lockout position.	Check lockout. If the lockout is stuck or not working properly, stop using the tool and return to an authorized Paslode dealer for service.
	Work-contacting element is bent, worn or at the deepest setting.	Remove and inspect lower probe. Clean, adjust or replace lower probe as required.
	Follower is not behind fasteners.	Position follower behind fasteners.
Tool will not cycle - fan runs, indicator light is solid green.	Fuel Cartridge empty or past the "Best Use Before" date stamped on the bottom of the fuel cartridge .	Replace fuel cartridge. See page 16 for details on how to check fuel cartridges.
	Spark plug is dirty.	Clean tool cylinder head and spark plug.
	No spark is generated.	Return tool to authorized Paslode® dealer for service.

If tool will not operate after following the above service directions, return the tool to an authorized Paslode® representative for service.

Normal Stage of Operation

SYMPTOM	POSSIBLE PROBLEMS	SERVICE
Tool operates properly, but fasteners do not drive fully.	Work-contacting element requires adjustment.	Adjust work contacting element.
	Dirty air filter.	Clean filter.
	There may be loss of seal in combustion chamber.	Press work contacting element against workpiece for 20 seconds. Pull trigger. If fastener does not drive, there is a leak that requires service.
Tool operates, but no fastener is driven.	Wrong fasteners being used.	Use only fasteners meeting Paslode® specifications. Check Fasteners and Applications section for fastener types and sizes recommended for use in Cordless tool.
	Tool requires cleaning.	Clean per instructions.
	Follower not properly engaged behind fastener strip.	Position follower behind fastener strip and engage strip.
	Jammed fastener.	Clear jam.
Tool operates erratically or appears to be losing power - tool indicator light is green.	Spark plug wire is loose.	Check spark plug wire.
	Filter element is dirty, causing tool to overheat.	Remove filter element and clean. Use soap and water to remove stubborn debris.
Tool operated and drove fasteners, but driver blade did not return to up position.	Built-up dirt and debris on driver blade or in nose bore.	Clean driver blade and nose bore with degreaser cleaner.
	Mid check is dirty or disabled.	Return tool to authorized Paslode® Cordless dealer for service.
Combustion chamber does not drop after tool cycles.	Work-contacting element is bent or is dirty.	Clean or replace work-contacting element.



USA

**An Illinois Tool Works Co.
155 Harlem Avenue
Glenview, IL 60025
www.paslode.com**



Canada

**120 Travail Road
Markham, Ontario
L3S 3J1
800-387-6472
www.paslode.ca**



Australia

**PO Box 914
Ingleburn, 1890
www.paslode.com.au**

A Division of ITW Australia Pty Ltd
ABN 63 004 235 063



New Zealand

**PO Box 100 303 NSMC
Auckland, New Zealand
www.paslode.co.nz**

A Division of ITW New Zealand Ltd

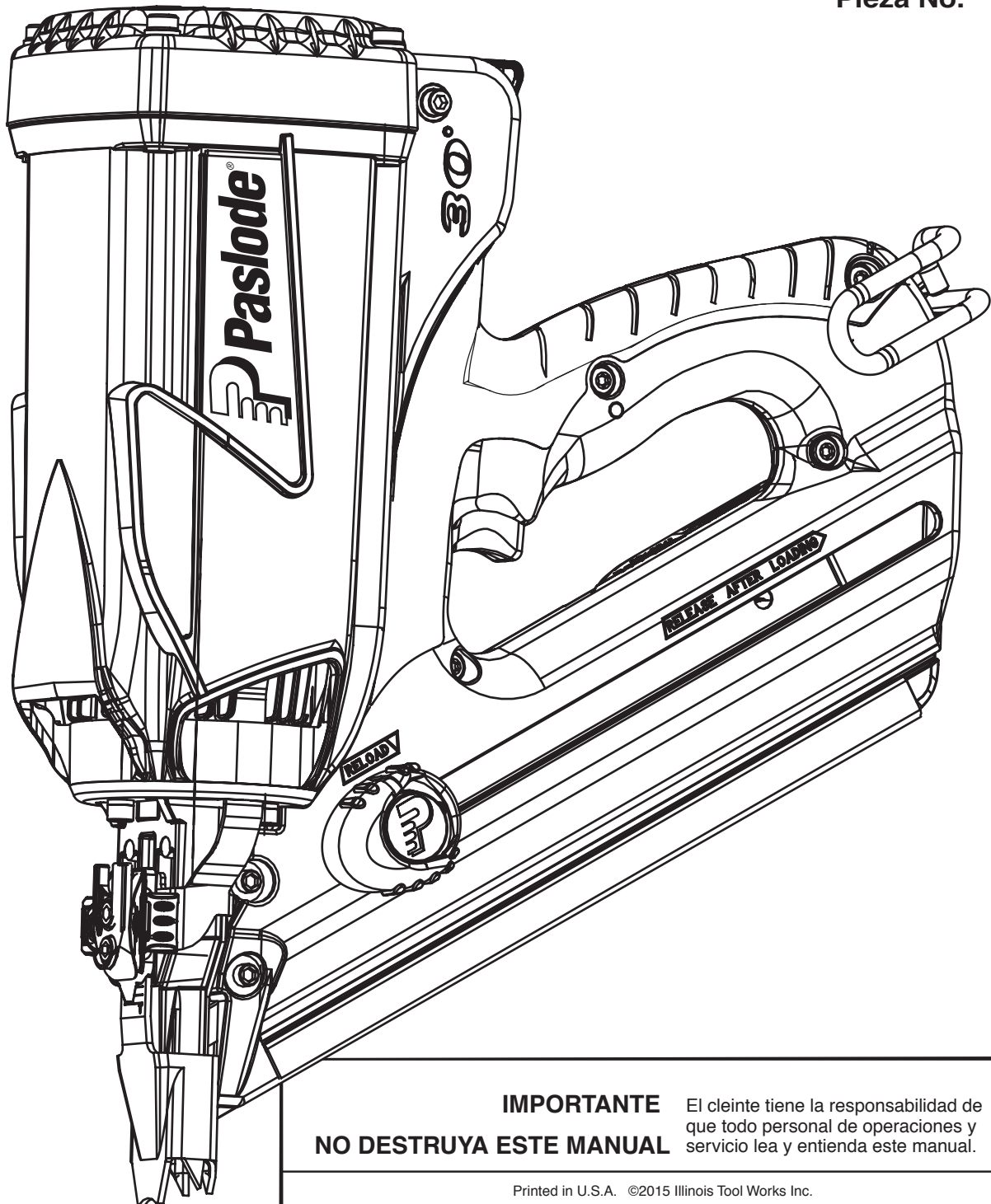
MANUAL DE FUNCIONAMIENTO --- CLAVADORA PASLODE CORDLESS

Paslode[®]

Modelo CF325XP
Pieza No. 905600

Modelo B20543P
Pieza No. 905700

Modelo CF325IM
Pieza No. 905800



IMPORTANTE
NO DESTRUYA ESTE MANUAL

El cliente tiene la responsabilidad de que todo personal de operaciones y servicio lea y entienda este manual.

Introducción

Manual de funcionamiento de la clavadora Paslode Cordless

El propósito de este manual es familiarizarlo con la clavadora de Paslode. A diferencia de otras herramientas mecánicas, la clavadora Paslode Cordless está accionada por un motor lineal de combustión interna, es decir, un motor similar al de un automóvil. La clavadora Cordless enciende la mezcla de combustible y aire para producir la energía necesaria que hace funcionar el motor, el que a su vez hace funcionar la clavadora. Como verá, la clavadora Paslode Cordless es completamente autónoma: contiene su batería y combustible propios, además de una provisión de clavos.

Este manual está dividido en secciones para facilitar su uso (vea el Contenido). Todas las secciones fueron escritas teniendo en cuenta a usted, el operador de la clavadora. Hemos omitido todos los términos técnicos de modo que usted pueda comprender cómo obtener el mayor rendimiento de su clavadora y evitar lesiones personales y daños a la clavadora. Con este propósito usted debe:

- 1. LEER DETENIDA Y COMPLETAMENTE ESTE MANUAL ANTES DE USAR LA CLAVADORA.**
- 2. SEGUIR LAS INSTRUCCIONES DEL MANUAL.**

La clavadora Paslode Cordless debe usarse con las mismas precauciones que cualquier otra herramienta mecánica, ya que su uso incorrecto podría causar lesiones personales. Si le permite a otras personas usar su clavadora, usted asume la responsabilidad de que esas personas también lean y sigan las instrucciones de este manual antes de usar la clavadora.

Si tuviera alguna pregunta acerca de la clavadora, o si quisiera obtener más copias de este manual, comuníquese con su representante de Paslode®, cuya información usted puede llenar a continuación.

Mi representante de Paslode es:

Nombre

Dirección

Ciudad

Estado

Código postal

Número de teléfono

Tema	Página
Introducción.....	2
Aspectos generales de la clavadora	4
Instrucciones de seguridad	5
Batería y cargador de batería	8
Cartucho de gas y válvula dosificadora	10
Preparación para usar la clavadora	13
Funcionamiento de la clavadora	14
Sujetadores y aplicaciones	15
Servicio	18
Detección y corrección de fallas	20

El cargador de batería reúne todos los requisitos de seguridad de las herramientas mecánicas.



Paslode[®] es una marca registrada.
Paslode
Una compañía de Illinois Tool Works
888 Forest Edge Drive
Vernon Hills, Illinois 60061

Las clavadoras mecánicas **Paslode**[®] se fabrican en los Estados Unidos.

Paslode es miembro de:



Aspectos generales de la clavadora Paslode Cordless

Descripción

La clavadora Paslode Cordless contiene todo lo necesario para funcionar, es totalmente portátil y utiliza combustible líquido de hidrocarburos para accionar un motor especial de combustión interna de transmisión lineal.

Para que usted comprenda la información de este manual, es necesario que conozca los principios básicos de la clavadora Paslode. Como puede darse cuenta en la siguiente ilustración, la clavadora Paslode Cordless consta de dos conjuntos independientes: el mango y el motor.

Mientras examina su clavadora familiarícese con los dos conjuntos principales y con los distintos componentes que forman cada uno de ellos.

El **conjunto del mango** contiene el cartucho de gas, la luz indicadora de la batería, el cargador, el transportador, el seguro, los bloques rompibles y el gatillo.

El **conjunto del motor** contiene la cubierta y el filtro, el bastidor del motor, la punta y el elemento de contacto.

Especificaciones

Dimensiones: Peso 3.2 Kg (7.2 libras)
Altura 37 cm (14-1/2 pulgadas)
Longitud 30.5 cm (12 pulgadas)

Velocidad: Funcionamiento intermitente -
2 a 3 clavos por segundo

NOTA: Si se excede esta velocidad, la clavadora se puede sobrecalentar, dando como resultado una pérdida de eficiencia o causando daños a los componentes de la clavadora.

Al usar la clavadora Paslode Cordless a su velocidad recomendada, podrá clavar varios miles de clavos en un día normal de trabajo.

Clavos: 30° organizados en tiras con papel
Mínimo: 50mm (2 pulgadas) de largo x 2.9mm
Máximo: 82mm (3-1/4 pulgadas) de largo x 82mm

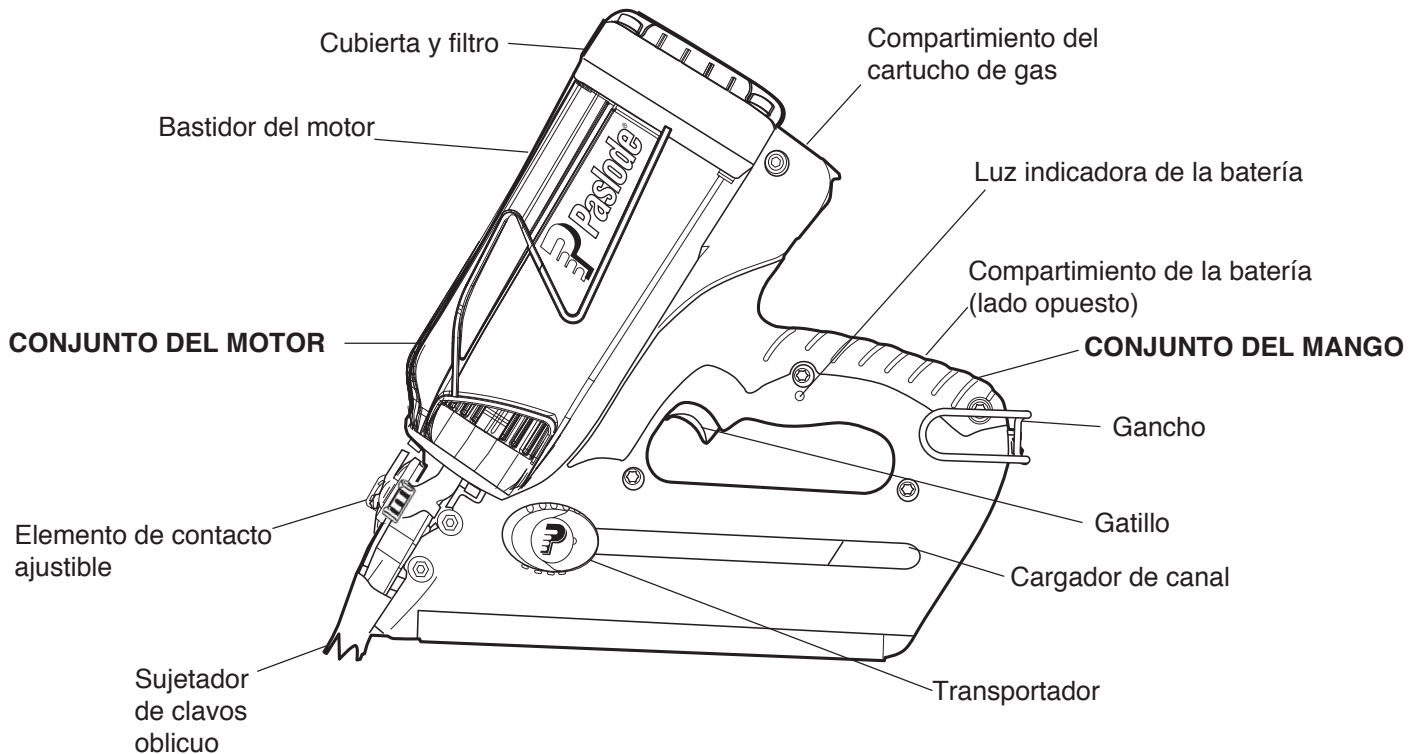
Capacidad del cargador: 1 tira de clavos más 5 clavos.

Batería: 7.4 voltios CD - Proporciona suficiente energía para clavar aproximadamente 9,000 clavos en una carga completa.

Cartucho de gas: Quicklode™ color naranja (1.32oz).
Hidrocarburos líquidos - Proporciona suficiente combustible para clavar aproximadamente 1200 clavos.

NOTA

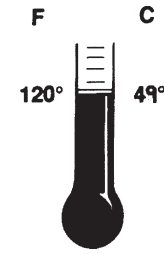
La clavadora para acabados está accionada por un motor lineal de combustión interna y puede ser afectada por el altitud. La clavadora puede perder fuerza en elevaciones de 6000 pies o más.




Instrucciones de seguridad


Las siguientes instrucciones de seguridad se han incluido en este folleto para proporcionarle la información básica necesaria para que su clavadora Impulse Compact™ funcione sin peligro. **NO INTENTE USAR ESTA HERRAMIENTA HASTA QUE HAYA LEÍDO Y COMPRENDIDO TODAS LAS ADVERTENCIAS DE SEGURIDAD Y LAS INSTRUCCIONES DEL MANUAL.**

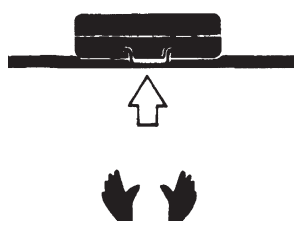
Además de estas instrucciones, es posible que necesite entrenamiento. Póngase en contacto con su representante de Paslode para obtener mayor información al respecto.

	<p>⚠ ADVERTENCIA</p> <p>No exponga la herramienta a temperaturas mayores de 49° C (120° F). El cartucho de gas o la batería pueden explotar, dejando escapar gases inflamables.</p>
--	--

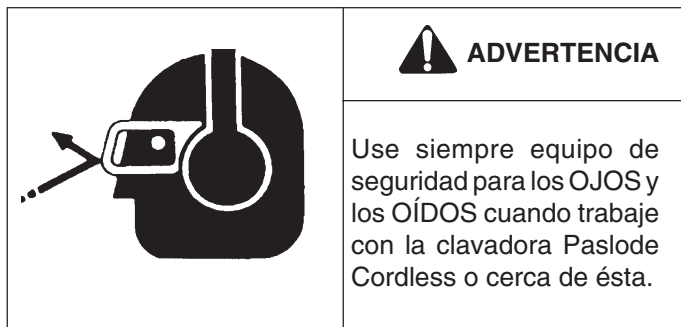
	<p>⚠ PELIGRO</p> <p>La clavadora es un equipo de combustión interna. Produce gases de escape calientes que pueden encender materiales inflamables. Esta clavadora debe usarse en ambientes combustibles o en presencia de materiales combustibles, tales como productos químicos inflamables, adhesivos, gasolina o solventes.</p>
---	---

	<p>⚠ ADVERTENCIA</p> <p>Sólo use esta herramienta en un lugar bien ventilado, ya que la herramienta emite monóxido de carbono, de forma similar a una sierra de cadena o una podadora. Si usted inhala monóxido de carbono puede sufrir mareos, náusea o pérdida del conocimiento.</p>
--	---

	<p>⚠ ADVERTENCIA</p> <p>No intente usar esta herramienta hasta que haya leído y comprendido todas las advertencias de seguridad y las instrucciones del manual. Si no sigue todas las advertencias de seguridad y las instrucciones de este manual puede sufrir la pérdida permanente del sentido de la vista, lesiones personales graves o hasta la muerte, además de causar daños a la propiedad y/o a la herramienta.</p>
---	---

	<p>⚠ ADVERTENCIA</p> <p>Mantenga SIEMPRE la clavadora, el cartucho de gas y la batería fuera del alcance de los niños.</p>
--	---

Instrucciones de seguridad



1. Los protectores de ojos deben cumplir con las normas ANSI ZX87.1 y deben tener protectores laterales para mayor seguridad.
2. **NUNCA ASUMA QUE LA HERRAMIENTA ESTÁ VACÍA.**
Nunca apunte con la herramienta hacia usted o hacia otra persona.
3. **NUNCA "JUEGUE" CON LA CLAVADORA.**
La clavadora Paslode Cordless no es un juguete; es una herramienta delicada. Si la usa sin cuidado o incorrectamente puede sufrir un accidente grave.
4. **NUNCA SOSTENGA LA HERRAMIENTA CON EL DEDO SOBRE EL GATILLO U OPRIMIENDO EL MISMO.**
De esta forma se puede disparar accidentalmente un clavo.
5. **NUNCA USE UNA HERRAMIENTA QUE NO FUNCIONE BIEN.**

Consulte la sección de servicio o de detección y corrección de fallas en este manual para corregir el problema. Si no puede resolver el problema, deje de usar la herramienta y notifique la situación a su supervisor o al representante de Paslode.
6. **NO CARGUE SUJETADORES CUANDO EL GATILLO Y/O EL ELEMENTO DE CONTACTO ESTÉN OPRIMIDOS.**

Se puede descargar accidentalmente un sujetador.

7. **NUNCA quite o deshabilite el elemento de contacto.**

Este dispositivo ayuda a reducir la posibilidad de que se dispare accidentalmente un sujetador, al evitar que la herramienta funcione hasta que haga contacto completamente con la superficie de trabajo.

NUNCA use la herramienta si el elemento de contacto no funciona correctamente.

8. **NUNCA APUNTE LA CLAVADORA HACIA USTED O HACIA OTRAS PERSONAS CUANDO LA DESATORE O CUANDO SAQUE LOS CLAVOS.**

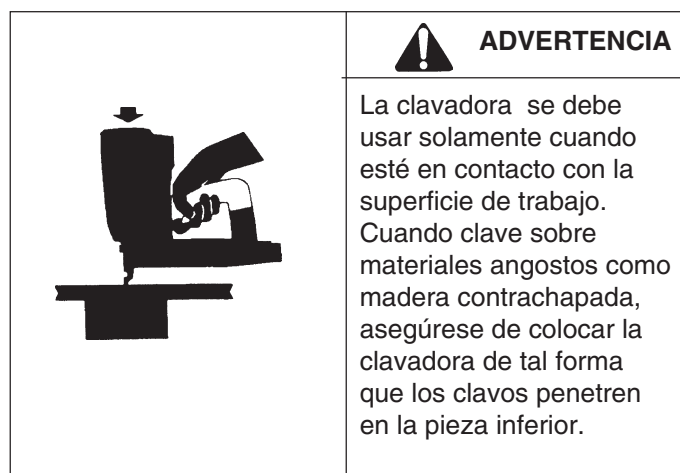
Tire del transportador ligeramente hacia atrás y oprima la palanca de liberación. Incline la punta de la clavadora ligeramente hacia arriba y los clavos deben salir por la parte de atrás del cargador. Si los sujetadores están atorados, consulte la sección de servicio apropiada de este manual.

9. **NUNCA USE LA CLAVADORA PASLODE CORDLESS SI TIENE PIEZAS FLOJAS, DAÑADAS O FALTANTES.**

10. **NO CLAVE LOS SUJETADORES EN LOS NUDOS DE LA MADERA O SOBRE OTROS SUJETADORES YA INSTALADOS.**

El sujetador puede rebotar y causar una lesión seria.

11. **USE LA HERRAMIENTA SÓLO EN SU LUGAR DE TRABAJO.**



Instrucciones de seguridad



12. NUNCA CLAVE SUJETADORES EN ÁREAS QUE TENGAN PELIGROS OCULTOS.

Siempre revise el área detrás de la superficie de trabajo para ver si hay cableado eléctrico, tuberías de gas o de agua, drenajes u otros peligros potenciales.



13. SIEMPRE PÁRESE FIRMEMENTE EN ESCALERAS, PLATAFORMAS U OTROS LUGARES.

	 ADVERTENCIA
	Nunca trate de usar la clavadora en lugares que deba alcanzar con esfuerzo, ya que el retroceso puede hacer que pierda el equilibrio. Siempre esté pendiente de las orillas y los declives al clavar sobre tejados y otros lugares altos. Siempre colóquese de manera que estos peligros le queden de frente.

14. SÓLO PERMITA QUE EL PERSONAL CALIFICADO USE LA CLAVADORA PASLODE CORDLESS.

	 ADVERTENCIA
	Sólo debe permitirse usar esta clavadora a personas que hayan leído las instrucciones de seguridad y de mantenimiento y que comprenda su funcionamiento.

15. ALMACENE CORRECTAMENTE EL CARTUCHO DE GAS.

	 ADVERTENCIA
	Siempre almacene el combustible donde no vaya a estar expuesto a llamas, chispas o a temperaturas superiores a 49° C (120° F).



16. SIEMPRE GUARDE LA CLAVADORA SIN EL CARTUCHO DE GAS.

Almacene el cartucho de gas en el maletín de la clavadora.

17. MANTENGA LIMPIA LA CLAVADORA.

Es menos probable que una herramienta limpia se atore o funcione incorrectamente.

18. MANTENGA LAS MANOS ALEJADAS DE LA SUPERFICIE DE TRABAJO.

	 ADVERTENCIA
	Es posible que algún sujetador se dispare en ángulo inesperadamente y cause lesiones.

INSTRUCCIONES DE SEGURIDAD DEL SISTEMA DE CARGA!

INSTRUCCIONES DE SEGURIDAD IMPORTANTES!

GUARDE ESTAS INSTRUCCIONES!


 PELIGRO 
PARA REDUCIR EL RIESGO DE INCENDIO O DESCARGA ELÉCTRICA, CUIDADOSAMENTE SIGA ESTAS INSTRUCCIONES!

Para conexión a una fuente fuera de América del Norte, utilice un adaptador de conector de datos adjuntos de la configuración adecuada para la toma de corriente, si es necesario.

Batería y cargador de batería

La clavadora viene con una batería de litio (Li-ion) recargable y con su propio sistema de carga. Esta combinación de batería y sistema de carga es el único sistema que funciona con la clavadora Paslode. El primer paso al preparar una nueva herramienta para usarla es cargar por completo la batería. La batería se envía con una carga parcial y debe ser cargada completamente antes de usarla por primera vez. La batería se tarda en recargar de 5 minutos a 1.5 hora (tiempo de carga depende en la carga de la batería al momento).

Notas importantes de carga

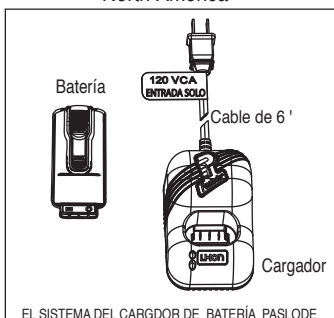
	<p>⚠ ADVERTENCIA!</p> <p>PELIGRO QUÍMICO Y DE EXPLOSIÓN</p> <p>Lea TODAS las instrucciones antes de cargar o usar la batería. Si no se siguen TODAS las instrucciones pueden producirse incendios, quemaduras serias o liberación de materiales tóxicos.</p>
---	--

Desechar la batería:

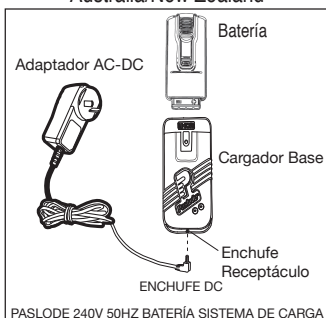
Las baterías contienen litio y deben reciclarse o disponerlo adecuadamente.

Favor de ponerse en contacto con su centro de reciclado local para conseguir mayor información sobre la devolución de baterías de litio, o llame al 1-800-8 Battery (1-800-822-8837).

North America



Australia/New Zealand



INSTRUCCIONES PARA CARGAR LA BATERÍA:

1. Retire el cargador de la caja de herramientas y conéctalo a un tomacorriente de 120V CA. Establecer la base del cargador sobre una superficie estable. Una luz verde se enciende para indicar el aparato está encendido y el circuito del cargador está listo.

Australia/New Zealand

- 1B. Remove the transformer from the box of tools and plug it into a 240V AC outlet. Establish the base of the charger on a stable surface and insert the transformer units into the outlet on the base of the charger (see diagram). A green light indicates that the charger is on and the charging system is ready.
2. Saque la batería de la clavadora o del estuche e introduzca las terminales en el cargador. La luz roja se enciende indicando que la batería está cargando y se apaga la luz verde.

NOTA

Si la batería se ha descargado por completo, las luces roja y verde pueden destellarse intermitentemente hasta 20 minutos. Esta característica de seguridad recarga lentamente la batería hasta que esté lista de recibir la corriente de cargado completa. Si las luces roja y verde siguen destellándose después de 20 minutos, reemplace la batería.

3. Después de cargarse, la luz roja se apagará y la luz verde encenderá, así indicando que la batería está cargada completamente. El cargador mantendrá la batería cargada por completo hasta que se quite el mismo.
4. Desenchufe el cargador de la toma de 120 V CA o 240 V AC.

TIEMPOS DE CARGA

Primera carga	1.5 hora
Batería completamente descargada	5 minutos hasta 1.5 hora

DURANTE LA CARGA:

1. No cargue la batería al aire libre o a temperaturas inferiores a los 5° C. (40° F)
2. No permita que objetos metálicos toquen las terminales de la batería.
3. No perforo ni trate de abrir la caja de la batería o las celdas.
4. No almacene la batería donde esté sujeta a temperaturas superiores a los 49° C (120° F).
5. No incinere la batería.
6. No use un cargador de baterías defectuoso, ni uno que se sobrecaliente o que produzca humo al conectarlo.
7. No ponga la batería o el cargador en agua.

DATOS TÉCNICOS

Batería

7.4 VDC, 2150mAh, Lithium-ion

Entrada

Cargador 120V AC, 60HZ

Emisión

12VDC, 1.8A

Polaridad



Batería

7.4 VDC, 2150mAh, Lithium-ion

Impulse Cargado Base 12VDC

Adaptador (AC-DC) Entrada

Australia/New Zealand 240V, 50HZ

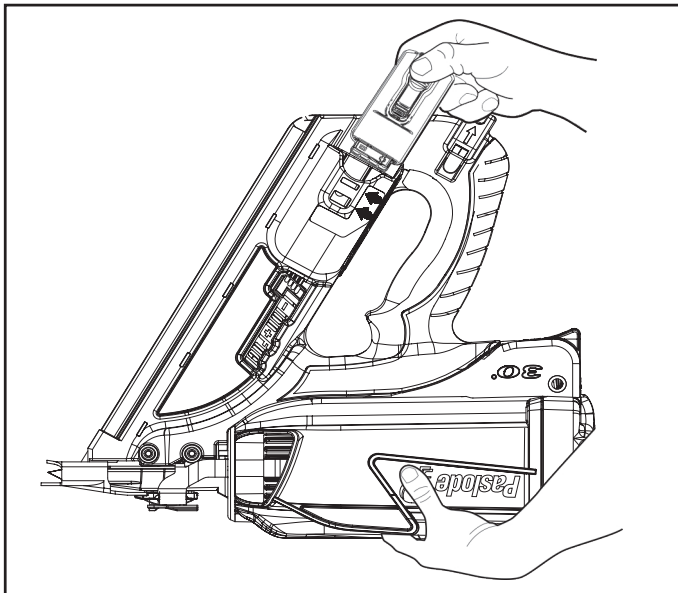
Emisión

12VDC, 1.8A

Polaridad



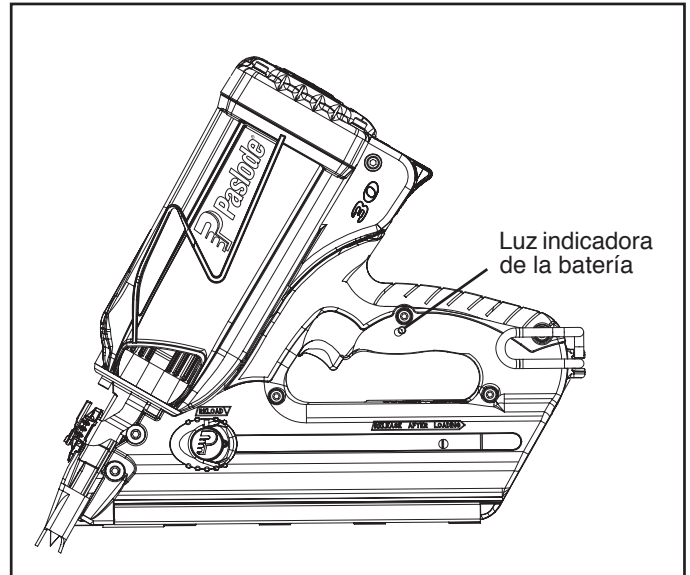
Para colocar la batería



Indicador de luz de batería

La ilustración es un acercamiento del mango de la clavadora Impulse. En un lado del mango hay una pequeña lente de plástico que es la luz indicadora de la batería.

Al colocar una batería completamente cargada dentro de la clavadora, se enciende y se apaga una luz indicadora verde. Si la luz indicadora parpadea en rojo, es necesario recargar la batería.



Instalación de batería

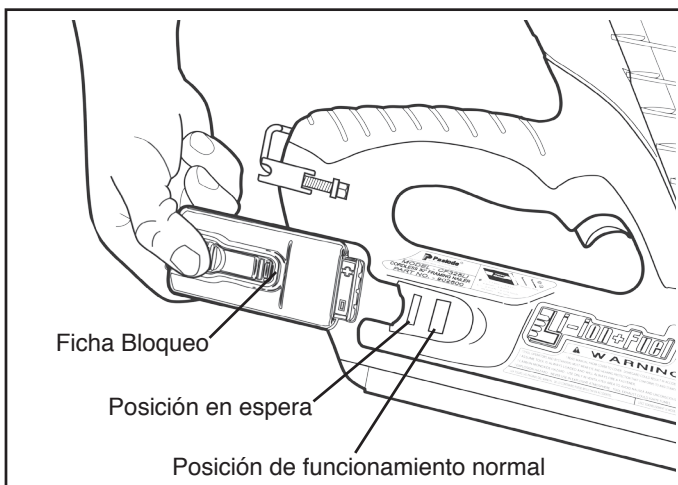
1. Introduzca la batería, con los contactos por delante, en la clavadora Paslode Cordless .
2. Empuje la batería totalmente hacia delante hasta que quede fija en su lugar.
3. Para sacar la batería, oprima hacia abajo la lengüeta de fijación y deslice la batería hacia fuera.

NOTA: Si la batería se queda dentro de la clavadora durante un período prolongado, se descarga por completo y es necesario recargarla.

En espera de la batería



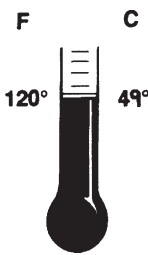
La batería puede colocarse en posición de espera, si no se va a usar por un período de tiempo.

Para colocar la batería en la posición en espera, empuje hacia abajo en la ficha Bloqueo y deslice la batería atrás para que la ficha Bloqueo se enganche en el la posición de espera.



Cartucho de gas quicklode™

Cartucho de gas quicklode™

  	<p>¡PELIGRO!</p> <p>PELIGRO DE EXPLOSIÓN Y DE INCENDIO</p> <p>Lea TODAS las instrucciones de seguridad antes de cargar o de usar el cartucho de gas. Si no se siguen TODAS las instrucciones pueden producirse explosiones o incendios. Esto puede causar lesiones personales graves o daños a la propiedad.</p> <p>Mantenga el cartucho de gas alejado del calor, las chispas y las llamas.</p> <p>Si se expone a temperaturas más altas de 49° C (120° F) el cartucho de gas puede explotar, liberando gas inflamable.</p>
--	--

<p>¡ADVERTENCIA!</p> <p>La luz del sol puede elevar la temperatura interior de un vehículo cerrado por encima de los 60° C (140° F).</p> <p>Nunca perforo ni trate de abrir el cartucho de gas, ya que no es rellenable.</p> <p>Nunca incinere ni recicle el cartucho de gas.</p> <p>Nunca fume mientras instala o usa la válvula dosificadora.</p> <p>Nunca inhale el rocío del atomizador.</p> <p>Mantenga el cartucho de gas alejado de los niños.</p> <p>Almacene las cartuchos de gas sólo en áreas bien ventiladas.</p>
--

Hay un segundo contenedor dentro del cartucho de combustible. Este contenedor interior conserva el combustible. El espacio entre el contenedor interior y el exterior cilindro está lleno de un gas, llamado el propulsor, que está bajo presión.

Para expulsar el combustible, propulsor de la presión aprieta el contenedor de combustible interno, en la medida en que usted apriete un tubo de pasta de dientes. Esta acción apretón asegura que todo el combustible se utiliza, y que la Nailer inalámbrico puede operar en cualquier posición.

Sin embargo, con el tiempo, la presión de combustible disminuye hasta que ya no es capaz de exprimir el contenedor de combustible interno. Por eso un nailer mediante un cartucho de combustible más allá de la "Best Use Before" fecha no funcionen sistemática o en absoluto.

Si se expone el cartucho de combustible vacío o caducado a temperaturas extremas, el gas propulsor ampliará y podría causar el contenedor a la ráfaga, liberando gases inflamables.

El cartucho de gas contiene un poco de aceite para mantener la herramienta lubricada durante el uso. No es necesario lubricar la herramienta durante funcionamiento normal. Use solo aceite Paslode Cordless para limpiar la herramienta. El uso de aceite no formulados para la herramientas Paslode Cordless puede causar pérdida de potencia y podría dañar las partes internas del motor de la herramienta.

<p>¡PELIGRO!</p> <ol style="list-style-type: none">1. No intente extraer o reutilizar la tapa del cartucho de combustible.2. No intente instalar el cartucho de la tapa de combustible en otros cartuchos de combustible. Esto puede resultar en daños a la herramienta y del perjuicio para el usuario y por standers!

<p>NOTA</p> <ol style="list-style-type: none">1. Nunca intente recargar el cartucho! Reemplaze con cartucho nuevo de combustible, y disponer de cartucho gastado correctamente.2. Al sustituir el cartucho de combustible limpie o reemplaze el filtro de aire para óptima operación de la herramienta.

<p>NOTA: La restricción de altura</p> <p>La clavadora para acabados está accionada por un motor lineal de combustión interna y puede ser afectada por el altitud. La clavadora puede perder fuerza en elevaciones de 6000 pies o más. Para un rendimiento óptimo de 6000 pies o menos.</p>

Cartucho de gas quicklode™

NOTA:

Cartuchos de Paslode inalámbricos están marcadas con fecha de mejor uso en la parte inferior de la lata del combustible y en el envase de cartón sujetador.

Para obtener máximo rendimiento use el combustible antes de la fecha de vencimiento .



Best By: **Lot#**

21 DEC. 2017

PELIGRO

Cartuchos de Paslode inalámbricos son de combustible inflamable.
No retire la tapa del cartucho de combustible o instale otro tipo de cartuchos combustible!

Guía para el desecho de celdas de combustible para inalámbricos:

Paslode, el líder en la industria de la tecnología de herramientas inalámbricas, suministra esta información para asistir a los usuarios en el desecho de las celdas de combustible para inalámbricos. Las opciones aceptables de desecho varían dependiendo del tipo de usuario de celdas de combustible. Todos los usuarios deben considerar las regulaciones locales, estatales y federales de desechos sólidos para asegurar que las celdas de combustible sean desechadas apropiadamente. Los usuarios deben contactar a su autoridad local de desechos sólidos para una mayor orientación.

Las celdas de combustible desechadas (usadas o sin usar) pueden ser consideradas como residuos peligrosos bajo el acta de recuperación y conservación de recursos (RCRA, por sus siglas en inglés), dependiendo de los diferentes factores descritos en los siguientes párrafos. En el momento del desecho, las celdas de combustible usadas o no usadas pueden ser clasificadas como desechos inflamables peligrosos (código de desechos - D001) bajo las regulaciones EPA de los Estados Unidos.

Los desechos peligrosos generados por los propietarios de vivienda y por los constructores que llevan a cabo el mantenimiento de rutina para los propietarios en sus viviendas, no son regulados por la RCRA. En general, los "desechos de viviendas" generados por los propietarios y sus contratistas están exentos de las regulaciones de desechos peligrosos puesto que estos desechos están excluidos expresamente de la definición de desechos peligrosos. Por ejemplo, la EPA de los Estados Unidos ha excluido como "desechos de vivienda" las latas de los aerosoles que contienen productos y propulsores residuales. Por lo tanto, bajo las regulaciones federales de desechos peligrosos, los propietarios de vivienda y los contratistas pueden desear las celdas de combustible como desechos generales en un basurero municipal apropiadamente permitido. Estos usuarios deben contactar a su autoridad de desechos sólidos para determinar si alguna regulación estatal o local prohíbe o restringe dicha disposición.

Paslode no asume ninguna responsabilidad por el desecho apropiado de las celdas de combustible. El desecho apropiado es responsabilidad de los vendedores y usuarios. Todos los vendedores y usuarios deben contactar a su autoridad local de desechos sólidos para determinar si alguna regulación local, estatal o federal prohíbe o restringe el desecho. Los usuarios pueden obtener más información acerca de las regulaciones de la EPA de los Estados Unidos sobre desechos peligrosos en la siguiente dirección de Internet:
www.epa.gov/epaoswer/osw/hazwaste.htm

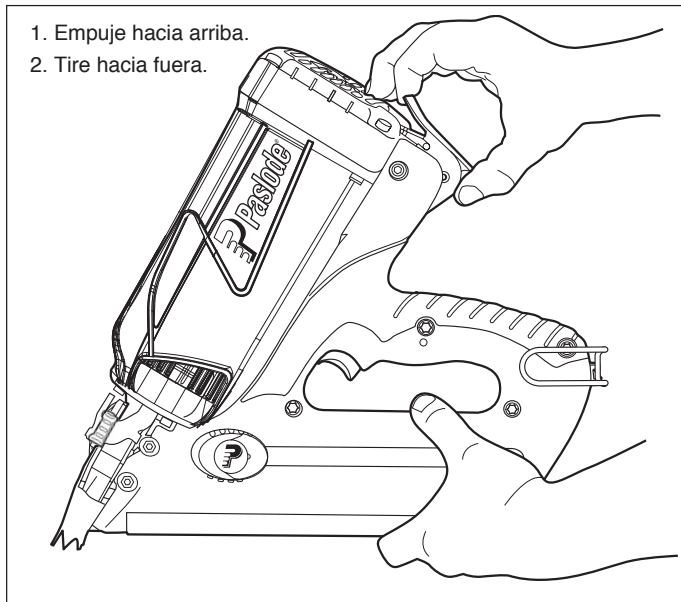
Alternativamente, los usuarios pueden contactar al Centro de Servicio RCRA de la EPA, Superfund y EPCRA de los Estados Unidos al 1-800-424-9346 para obtener más información.

Cartucho de gas quicklode™

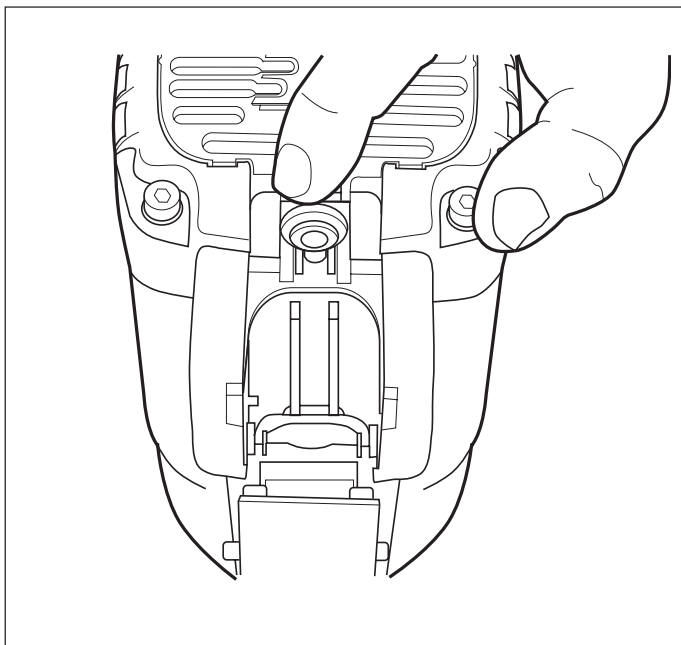
Colocación del cartucho de gas

A. Es muy sencillo colocar el conjunto de válvula dosificadora y cartucho de gas dentro de la clavadora. Para empezar, empuje hacia arriba la parte inferior de la cubierta del accionador y ábralo hacia fuera. La cubierta se abre para dejar espacio.

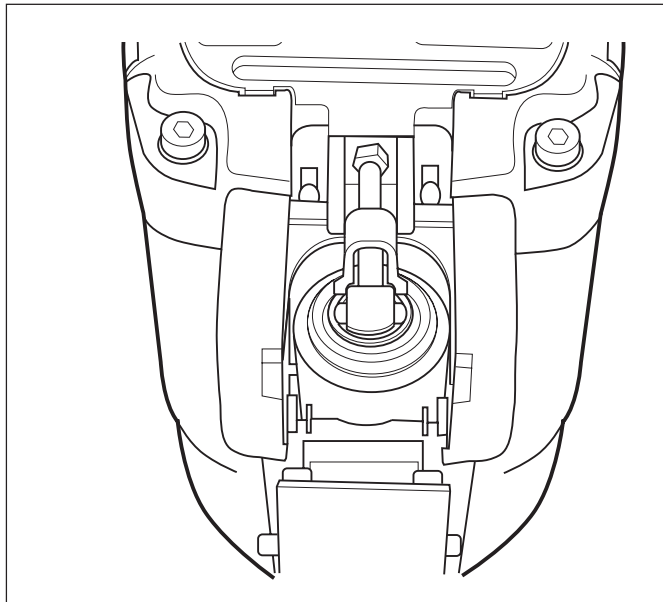
1. Empuje hacia arriba.
2. Tire hacia fuera.



B. Luego, con la aguja de la válvula dosificadora apuntando hacia la parte delantera de la clavadora, introduzca el conjunto de válvula dosificadora y cartucho de gas.

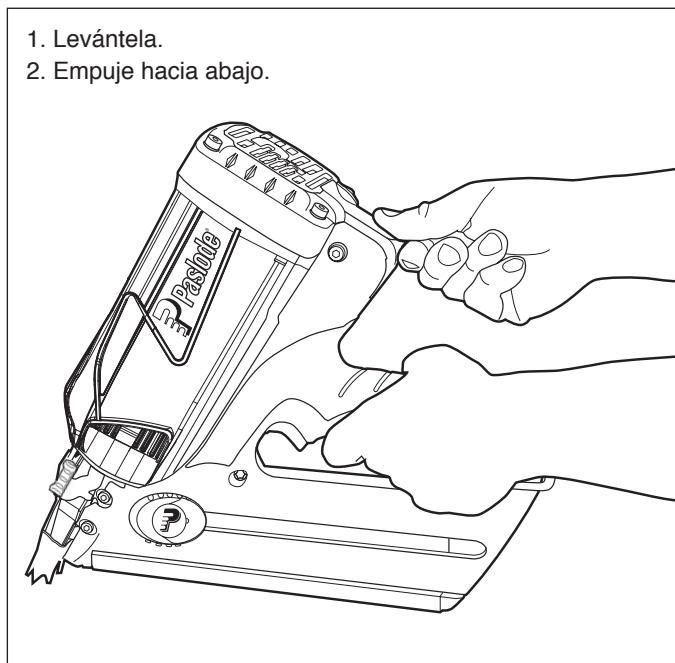


C. Suelte el adaptador de forma que quede centralizado sobre el cartucho de gas.



D. Cierre la cubierta del accionador para terminar la instalación del conjunto de válvula dosificadora y cartucho de gas en la clavadora Cordless. Hágalo levantándola hacia arriba, sobre el conjunto de válvula dosificadora y cartucho de gas y empujando hacia abajo hasta que la cubierta del accionador quede fija en su lugar.

1. Levántela.
2. Empuje hacia abajo.



Preparación para usar la clavadora Paslode

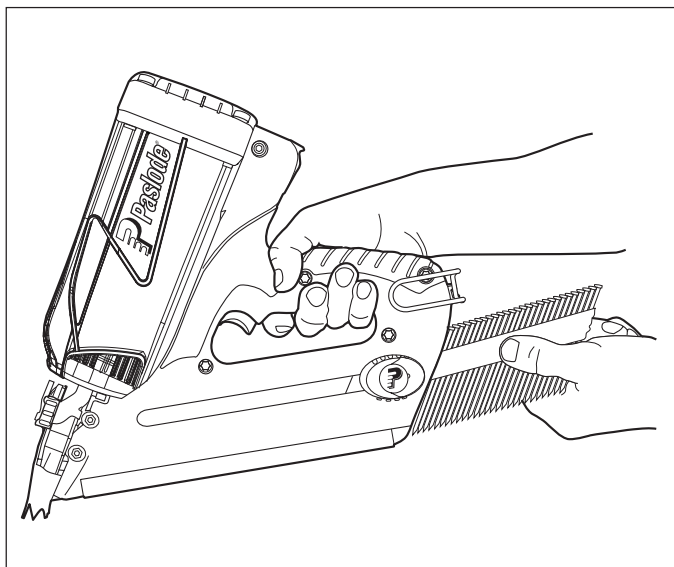
Clavos

La clavadora Paslode Cordless dispara clavos Paslode con cabeza recortada, que han sido organizados en tiras. El uso de clavos que no cumplen con las normas de Paslode podría causar daños a la clavadora y anular la garantía. Los tamaños y tipos de clavos Paslode se ilustran en la sección de Sujetadores y aplicaciones.

Para cargar los clavos

Paso 1: Para cargarlos, tire hacia atrás del transportador hasta la posición fija posterior (el botón salta).

Paso 2: Coloque una tira de clavos y suelte el transportador oprimiendo el botón.



Hay un indicador de carga en el transportador y en la clavadora. Es posible cargar una tira completa en esta área, como se muestra arriba.

Característica de bloqueo

El propósito de esta característica es evitar el ciclaje automático en blanco que pueda desgastar el combustible y dañar los componentes de la herramienta. Se dejarán cinco (5) clavos en el cargador, cuando el seguidor alcance al área de bloqueo. La fecha le indica que ya puede recargar. Esta no indica que la herramienta está vacía. Debido al sistema de seguridad de cierre en la clavadora Cordless, esta no operará cuando hayan menos de seis (6) clavos en el cargador.

La clavadora al aire libre

Use la clavadora Paslode Cordless al aire libre, en buen tiempo, cuando la clavadora, el cartucho de gas y la batería estén entre -10°C (14°F) y 49°C (120°F).

FUNCIONAMIENTO CUANDO HACE CALOR

La clavadora necesita que el conjunto del motor se enfríe para que funcione correctamente. El ventilador generalmente produce el flujo de aire necesario para permitir que funcione continuamente. Siempre que la clavadora esté sin usarse durante periodos prolongados, deje el combustible y la clavadora en la sombra y en lugares donde las temperaturas no excedan los 49°C (120°F). Después de periodos prolongados de uso continuo, puede ser necesario dejar enfriar el motor dejando de usar la clavadora durante unos 10 ó 15 minutos o hasta que la clavadora funcione normalmente. Si la clavadora se sobrecalienta, es posible que los clavos no penetren completamente o que la clavadora funcione erráticamente.

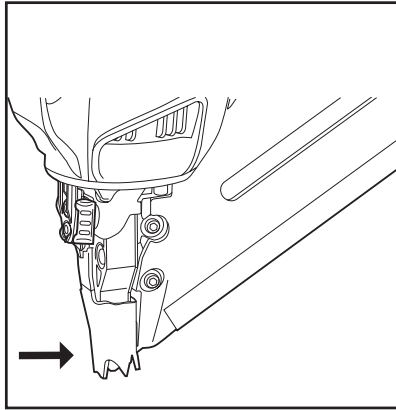
FUNCIONAMIENTO CUANDO HACE FRÍO

Cuando hace frío, los cartuchos de gas pierden la fuerza necesaria de propulsión. Deje que la clavadora, la batería y el cartucho de gas lleguen a la temperatura mínima de operación sin exponerlos directamente a las llamas, y revise la batería.



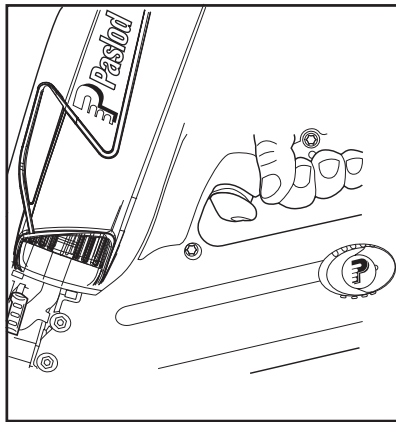
La clavadora no debe ser usada en la lluvia o donde haya demasiada humedad. Si se usa la clavadora Paslode Cordless bajo estas condiciones se pueden dañar sus componentes y la clavadora se puede averiar.

Funcionamiento de la clavadora Paslode Cordless



PRESIONE EL ELEMENTO DE CONTACTO CONTRA LA SUPERFICIE DE TRABAJO.

El ventilador del motor arranca, el combustible se inyecta en la cámara de combustión y el ventilador lo mezcla con aire.



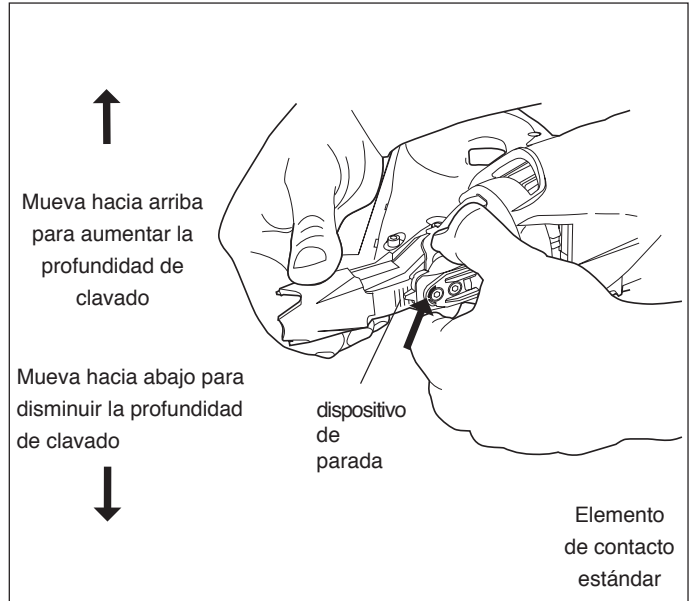
APRIETE EL GATILLO.

La bujía produce una chispa y se enciende la mezcla de combustible y aire. La combustión mueve el pistón que impulsa el clavo.

LEVANTE LA CLAVADORA Y SUELTE EL GATILLO.

La cámara de combustión se abre. El ventilador deja salir los gases calientes y enfría los componentes internos.

NOTA: El ventilador funcionara por aproximadamente 10 segundos despues de disparar el ultimo clavo.



Ajuste de la profundidad con que se clava

Saque el cartucho de gas antes de ajustar la profundidad de clavado.

El ajuste de la profundidad de clavado se realiza ajustando el elemento de contacto. Apretando los botones de lanzamiento, uno hacia el otro permitira el contacto con el elemento que desea mover arriba o abajo.

Si la clavadora está disparando los clavos con demasiada fuerza (la cabeza del clavo está siendo impulsada por debajo de la superficie de la madera), mueva el elemento de contacto ligeramente hacia abajo. Si los clavos quedan sobresaliendo (la cabeza no queda al ras con la superficie de trabajo), mueva ligeramente hacia arriba el elemento de contacto. Las marcas indicadoras estan graduadas en incrementos de 1/10" (2.5mm) con un rango total de 1/2" (13mm).

Ajuste el elemento de contacto para impulsar los clavos de acuerdo a las necesidades del trabajo.

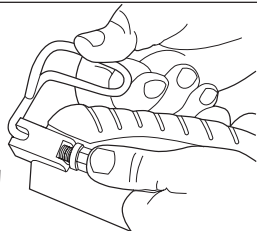
Elemento de contacto No-Mar (que no deja marcas)

Para las aplicaciones en las que la pieza trabajada no debe tener marcas, como al entablar paredes y plataformas recreativas, pida el elemento de contacto No-Mar, pieza No. 901252.



PELIGRO

El elemento de contacto y la punta se calientan después de un uso prolongado o rápido. Es necesario ajustar el elemento de contacto, evitando tocarlo con las manos.



Empuje

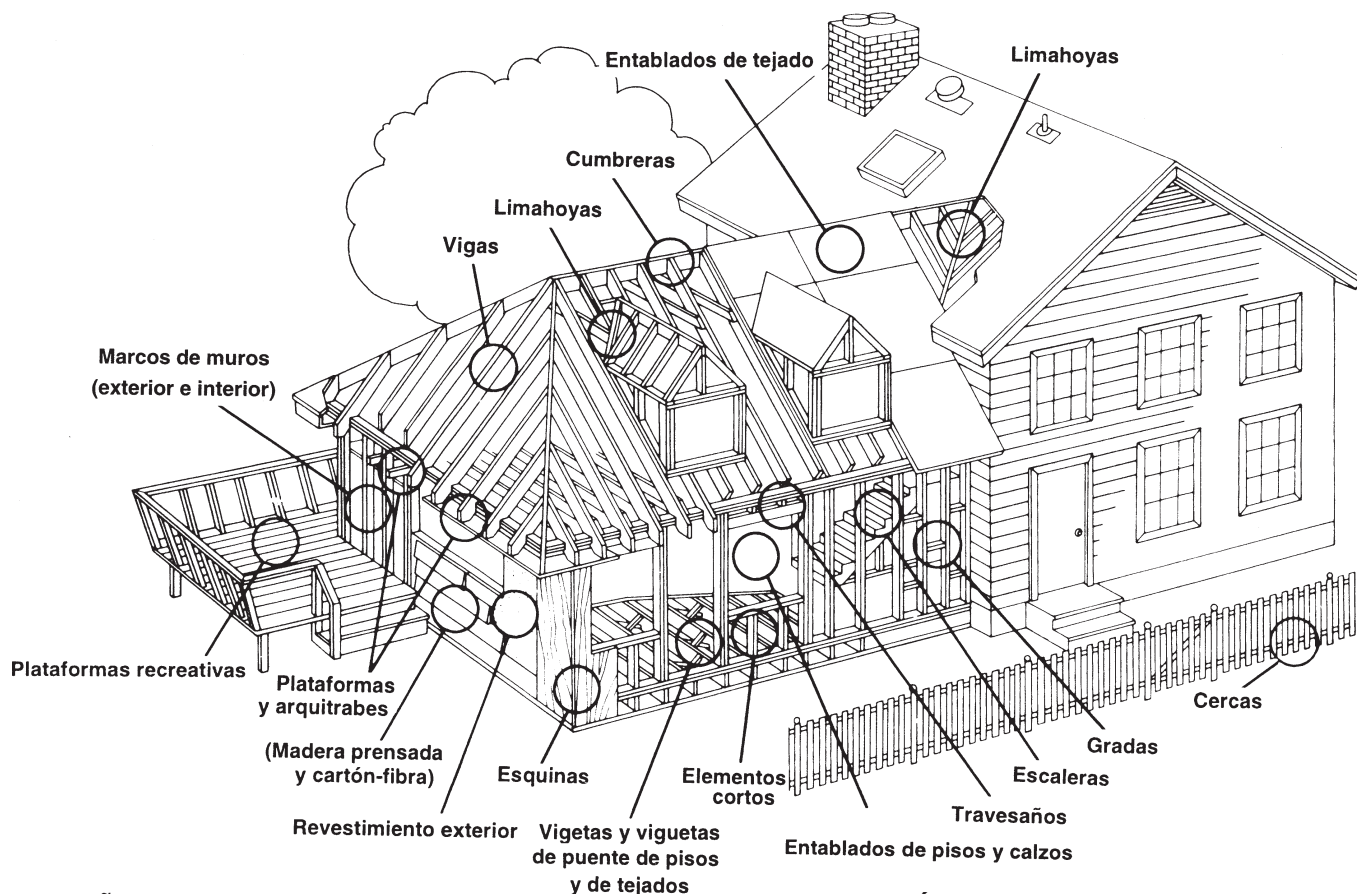
Gancho ajustable de Utilidad

El gancho ajustable de la utilidad se puede utilizar como un gancho de cinturón o viga. Para ajustar el gancho de utilidad, empuje el botón negro en la dirección de la flecha y lo gira a la posición deseada.



PELIGRO

Nunca intente usar una clavadora a menos de que ambos tornillos de ajuste estén instalados. Si se elimina intencionalmente alguno de estos tornillos de ajuste, es posible que la clavadora funcione en forma incorrecta, que se pierda el control de los clavos y que el usuario u otras personas sufran lesiones.



TAMAÑO

TIPO

2" x .113 (50 mm x 2.87) (6D)	Caña común anillado
2" x .113 (50mm x 2.87) (6D)	Caña común anillado, GalvGaurd™
2-3/8" x .113 (60mm x 2.87) (6D)	Caña común anillado
2-3/4" x .113 (70mm x .287) (6D)	Más pequeño que un fuste común anillado, GalvGaurd™
3" x .120 (75mm x 3mm) (10D)	Clavo revestido
3" x .120 (75mm x 3mm) (10D)	Clavo anillado, GalvGaurd™
3" x .131 (75mm x 3.3mm) (10D)	Clavo revestido
3"-1/4" x .131 (83mm x 3.3mm) (12D)	Clavo revestido

APLICACIÓN

Calzos, revestimientos exteriores, entablados de tejado y de piso, entablados de pared
Cercas, entablados de pared
Entablado de techados y pisos, calzos, revestimientos
Plataformas recreativas, entablados de pared, cercas
Remodelaciones
Cercas, plataformas recreativas, entablado de paredes, tejares
Armazon
Armazon

La clavadora Paslode Cordless dispara clavos Paslode de cabeza biselada, que han sido organizados en tiras. Si utiliza clavos que no cumplen con las especificaciones de Paslode, se puede dañar la clavadora y se anula la garantía. Paslode cuentan con una gran variedad de tamaños y estilos para muchas aplicaciones.

Caña lisa - Para construcción en general, carpintería y para preparar armazones, es el más popular y versátil.

Caña anillado - El fuste anillado ofrece una mayor resistencia a salirse de su lugar para aplicaciones en que la resistencia de los fustes lisos no es adecuada: plataformas recreativas, enrejados y tarimas.

Acero endurecido - Para unir placas de madera a cimientos de concreto verde; enrasado por listones 2X a bloques de concreto de cenizas.

GalvGaurd™ - Estos clavos deben usarse donde se requiera una mayor resistencia a la corrosión para evitar manchas de corrosión. Se recomiendan para usarse en entablados de paredes de maderas naturales tales como el cedro, la madera de secoya, el ciprés y la madera tratada con conservadores.

(No deben usarse en cimientos de madera para todo clima). Estos clavos ofrecen la mayor resistencia a la corrosión de todos los clavos galvanizados.

En el lugar de trabajo límitese a:

- REVISAR EL NIVEL DE ENERGÍA DE LA BATERÍA
- RECARGAR LA BATERÍA
- REVISAR EL CARTUCHO DE GAS
- CAMBIAR EL CARTUCHO DE GAS
- LIMPIAR EL FILTRO DE AIRE
- DESATORAR LA CLAVADORA

Si intenta efectuar reparaciones mayores a las que indican estos procedimientos, puede llegar a sufrir lesiones graves o causar daños a la clavadora Paslode Cordless y anular la garantía.

Existen ciertos problemas a los que se puede enfrentar al usar su clavadora que usted mismo puede corregir en el lugar de trabajo. Los siguientes procedimientos de servicio son los únicos que debe intentar realizar por sí mismo. Cualquier otro problema que tenga su clavadora Impulse debe ser diagnosticado y reparado por un técnico de servicio entrenado. Si considera que su problema es más difícil de corregir que con los procedimientos de servicio de este manual, póngase en contacto inmediatamente con su representante de Paslode.



PELIGRO

Nunca intente hacer trabajos de mantenimiento en la clavadora Paslode Cordless sin antes quitar el cartucho de gas y la batería. El mantenimiento sólo debe hacerse después de que la clavadora esté completamente inoperable.

Revisión de la batería

Revise periódicamente la luz indicadora de la batería, es decir, la luz indicadora en el mango de la clavadora. Cuando tenga un problema, el primer paso debe ser siempre asegurarse de que la batería tenga suficiente energía para hacer funcionar la clavadora.

Cuando se presiona el elemento de contacto contra la pieza de trabajo, arranca el motor del ventilador y la luz verde parpadeante se ilumina en forma constante. Si la luz indicadora se enciende en rojo, en forma parpadeante o continua, recargue la batería.

Revisión del cartucho de gas

Si el ventilador de la nailer funciona y la luz es de color verde, pero la herramienta no se desplazará sistemática o en absoluto, compruebe el cartucho de combustible. En primer lugar, quitar el cartucho de combustible de la herramienta y comprobar la fecha de "Best Use Before" estampada en la parte inferior. Si es más allá de esta fecha, el cartucho de combustible podrá no constantemente dispensar la cantidad adecuada de combustible – incluso si nunca se ha usado el cartucho. Para probar si el cartucho aún prescinde de combustible:



PELIGRO

Nunca lleve a cabo esta prueba cerca de una llama o de chispas, mientras fuma, o donde el combustible le pueda entrar en los ojos.

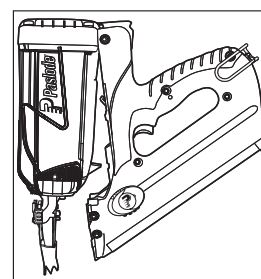
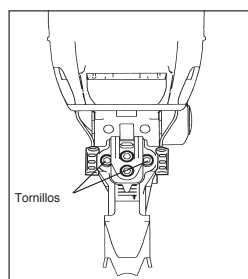
1. Mantenga el cartucho en la posición vertical con la parte plana inferior hacia el suelo – esta orientación es importante para una prueba adecuada.
2. Suavemente la punta de la tapa de cartucho contra un objeto sólido cinco veces.
3. Una pequeña cantidad de combustible debería ser liberada todos cinco veces.
4. Si el combustible no se libera cada vez indica el cartucho está vacío o caducado * y debe ser reemplazado.

* Cartuchos caducados podrán dispensar combustible cuando boca abajo o hacia los lados, pero no funcionarán más de un par de veces en la posición vertical debido a la reducción de la presión interna (ver página 10 para obtener más información).

Para desatorar la clavadora

Un problema típico que puede encontrar es una clavadora con clavos atorados. Debido al diseño único de la clavadora Impulse, es muy sencillo sacar los clavos atorados:

1. Saque el cartucho de gas y la batería.
2. Asegure el transportador totalmente hacia atrás en el cargador y quite los clavos.
3. Afloje por completo los dos (2) tornillos de montaje del cargador con una llave hexagonal de 5/32 plg.
4. Tire hacia fuera del mango/cargador alejándolos de la punta de la clavadora y saque los clavos atorados.
5. Vuelva a alinear el mango/cargador a la punta, y apriete los tornillos de montaje.
6. Cargue la clavadora con los clavos y suelte el transportador.



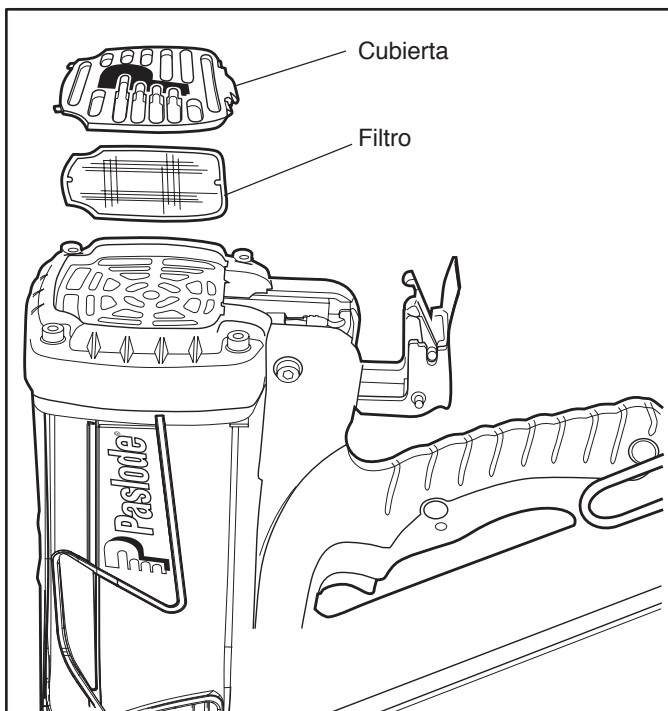
PELIGRO

Asegúrese de que los tornillos de montaje del cargador estén apretados y de que el cargador esté justo contra la punta. Si intenta disparar un clavo con el cargador suelto no tendrá control de los clavos, se puede dañar la clavadora o se pueden descargar los clavos contra usted.

Filtro de aire

Abra la cubierta oprimiendo ligeramente arriba del adaptador, y pivoteando la cubierta para que se abra. El filtro de aire simplemente sale hacia fuera.

Golpee **LIGERAMENTE** el filtro para sacarle el polvo. Revise y limpie el filtro de aire cada dos días. Una solución de agua y jabón deja el filtro como “nuevo”.



Rutina al final de un día de trabajo

Al final de cada día de trabajo lleve a cabo estos sencillos pasos para mantener la seguridad y la eficiencia de la clavadora .

Antes de salir de su lugar de trabajo:

1. Quite la batería y guárdela en el maletín de la clavadora. Siempre use el maletín de la clavadora para transportarla y almacenarla.
2. Deseche todos los cartuchos de gas vacíos. Recuerde que debe desecharlos donde no los puedan encontrar los niños y donde no puedan ser aplastados, perforados o quemados.

Cuando llegue a casa:

1. Si la luz roja en el mango indica que la batería necesita ser recargada colóquela en el cargador.
2. Limpie la clavadora Paslode Cordless con un paño limpio y suave.
3. Saque y limpie el filtro cada dos días.
4. Revise el elemento de contacto para asegurarse de que funciona sin obstrucciones. Lubrique con aceite Paslode, pieza No. 401482.

Accesorios Paslode Cordless

Existe una gran variedad de accesorios disponibles para la clavadora Cordless :

Elemento de contacto No Mar (que no deja marcas) - Pieza No. 901252

Batería - Pieza No. 902654

Lentes de seguridad claros - Pieza No. 401382

Aceite Lubricante Paslode Cordless - Pieza No. 401482

Juego de cargador de baterías - Pieza No. 902667

Estuche para la clavadora - Pieza No. 905607

Para obtener mayor información póngase en contacto con su representante de Paslode®.

Clavadoras Paslode Cordless

Cada clavadora viene acompañada de una llave hexagonal de 5/32 plg (pieza No. 401331).

DetECCIÓN Y CORRECCIÓN DE FALLAS

Preparación de la clavadora antes de usarla - Problemas con la batería o con el cargador

SÍNTOMA	POSIBLES PROBLEMAS	SERVICIO
La batería no parece aceptar la carga cuando la batería está conectada en el cargador y el cargador está conectado en el transformador de pared.	Las luces indicadoras en el cargador no funcionan, o el cargador está defectuoso.	Pruebe la batería en la herramienta después de un ciclo de carga. Si la luz indicadora de la clavadora está verde, el cargador no está funcionando debidamente. Cambie el cargador o regule el tiempo de carga para asegurarse de que la batería tenga el tiempo adecuado para recargarse. Es normal que la batería se sienta tibia después de haberla cargado correctamente.
	La batería está dañada o se ha terminado su ciclo de vida.	Obtenga una batería nueva.
El cargador se calienta, hace demasiado ruido o produce humo durante el ciclo de carga. El cable del cargador o el transformador de pared se calientan.	El cargador está dañado.	Deje de usar el cargador de inmediato y desconéctelo de la fuente de energía. Cambie el cargador y coloque una etiqueta en el cargador defectuoso para evitar que alguien lo conecte accidentalmente o lo vuelva a usar.

Durante el funcionamiento normal

SÍNTOMA	POSIBLES PROBLEMAS	SERVICIO
El ventilador no funciona - la luz indicadora de la clavadora está iluminada constantemente o parpadeando en rojo.	La batería no está cargada.	Cargue la batería.
	Limpie las terminales de la batería con una tela de esmeril fina.	Las terminales de la batería tienen grasa, corrosión o están sucias.
El ventilador no funciona, o funciona más lentamente de lo normal - la luz indicadora de la clavadora está iluminada constantemente en rojo.	La batería está descargada.	Cargue la batería.
El elemento de contacto no se puede oprimir por completo - la clavadora no funciona.	El seguro está atorado en la posición de fijación.	Revise el seguro. Si el bloqueo se ha quedado atascado o no funcionando correctamente, deje de usar la herramienta y devuelva a un centro distribuidor autorizado para servicio de reparación Paslode.
	El elemento de contacto está doblado, o la acumulación de suciedad restringe su funcionamiento.	Quite y revise el probador inferior. Limpie y lubrique el carril con aceite Paslode Impulse. Repare o cambie el probador inferior.
	El transportador no está detrás de los clavos.	Coloque el transportador detrás de los clavos.
La clavadora no clava, pero el ventilador sí funciona. La luz indicadora está iluminada constantemente en verde.	El cartucho de gas está vacío o pasada "Best Use Before" fecha estampada en la parte inferior de combustible.	Cambie el cartucho de gas.
	El cable que produce la chispa no está conectado a la bujía.	Quite la cubierta y revise la bujía, coloque la bujía y vuelva a colocar la cubierta.
	La bujía está sucia.	Limpie la culata del cilindro de la clavadora.
	No se producen chispas.	Envíe la clavadora a su distribuidor autorizado Paslode para que la repare.

Si la clavadora no funciona después de seguir las instrucciones de servicio, devuelva a clavadora a su representante Paslode® para que reciba servicio. Para ayuda técnica en español llame 1-800-334-4811.

DetECCIÓN Y CORRECCIÓN DE FALLAS

Durante el funcionamiento normal

SÍNTOMA	POSIBLES PROBLEMAS	SERVICIO
La clavadora funciona correctamente, pero los clavos no penetran por completo.	Es necesario ajustar el elemento de contacto.	Ajuste el elemento de contacto.
	El nivel de combustible cartucho de gas está bajo.	Revise el cartucho de gas y cámbielo si es necesario.
	Puede haber fugas en la cámara de combustión.	Presione el elemento de contacto contra la pieza de trabajo durante un minuto. Oprima el gatillo. Si el clavo no sale, hay una fuga que debe ser reparada.
La clavadora funciona correctamente, pero los clavos a veces penetran demasiado y a veces no penetran lo suficiente.	El elemento de contacto no está bien ajustado al tipo de material que está siendo clavado.	Ajuste el elemento de contacto. Vuelva a ajustar según sea necesario cuando cambie la densidad o el espesor del material que está siendo clavado.
La clavadora funciona pero no dispara los clavos.	Está usando clavos incorrectos.	Use sólo clavos que cumplan con las especificaciones de Paslode. Revise la sección de Sujetadores y aplicaciones para ver los tipos y tamaños recomendados en esta clavadora Impulse.
	El transportador no está bien ajustado detrás de la tira de clavos.	Coloque el transportador detrás de la tira de clavos y sujételo.
	La clavadora tiene clavos atorados.	Saque los clavos atorados.
La clavadora funciona erráticamente o parece perder potencia - la luz indicadora de la clavadora está verde.	El nivel de combustible cartucho de gas está bajo.	Revise el cartucho de gas.
	El cable de la bujía está suelto.	Revise el cable de la bujía.
	El filtro está sucio, y hace que se sobrecaliente la clavadora.	Quite el filtro y límpielo. Use agua y jabón para limpiar la suciedad difícil de quitar.
La clavadora funcionó y clavó el clavo, pero la hoja del impulsor no volvió a la posición superior.	Se ha acumulado suciedad en la hoja del impulsor o en el orificio de la punta de la clavadora.	Limpie la hoja del impulsor y el orificio de la punta con un limpiador desengranaste.
	La sección interior de la clavadora está sucia o deshabilitada.	Envíe la clavadora a su proveedor Paslode para que reciba servicio.
La cámara de combustión no baja después de que funciona la clavadora.	El elemento de contacto está doblado o está sucio.	Limpie o cambie el elemento de contacto.



USA

**An Illinois Tool Works Co.
155 Harlem Avenue
Glenview, IL 60025
www.paslode.com**



Canada

**120 Travail Road
Markham, Ontario
L3S 3J1
800-387-6472
www.paslode.ca**



Australia

**PO Box 914
Ingleburn, 1890
www.paslode.com.au**

A Division of ITW Australia Pty Ltd
ABN 63 004 235 063



New Zealand

**PO Box 100 303 NSMC
Auckland, New Zealand
www.paslode.co.nz**

A Division of ITW New Zealand Ltd

An Illinois Tool Works Co.
155 Hartem Avenue
Glenview, IL 60025
www.paslode.com



Canada
120 Travail Road
Markham, Ontario
L3S 3J1
800-387-6472
www.paslode.ca



Australia
PO Box 914
Ingleburn, 1890
www.paslode.com.au
A Division of ITW Australia Pty Ltd
ABN 63 004 235 063



New Zealand
PO Box 100 303 NSMC
Auckland, New Zealand
www.paslode.co.nz
A Division of ITW New Zealand Ltd



Étape d'opération normale

SYMPTOMES	PROBLÈMES POSSIBLES	ENTRETIEN
L'outil fonctionne normalement, mais les attaches ne s'enfoncent pas complètement	<p>L'élément de contact avec la pièce nécessite un ajustement</p> <p>Le fil de bougie est sale</p> <p>Nettoyer le filtre à air</p>	<p>Ajuster l'élément de contact avec la pièce</p> <p>Nettoyer le filtre à air</p>
L'outil fonctionne, mais aucune attache n'est plantée	<p>Mauvaise sorte d'attache qui est utilisée</p> <p>L'outil nécessite un nettoyage</p> <p>Nettoyer d'après les instructions</p> <p>Le transporteur ne s'engage pas proprement derrière la languette d'attaches.</p> <p>Placer le transporteur derrière la languette et engager la languette</p> <p>Libérer le blocage</p>	<p>Utiliser uniquement des attaches qui rencontrent les normes de Paslode®. Vérifier la section des attaches et applications pour le type et la grandeur des attaches recommandées pour utiliser dans la cloreuse à charpente sans fil.</p> <p>Nettoyer d'après les instructions</p> <p>Placer le transporteur derrière la languette et engager la languette</p> <p>Libérer le blocage</p>
L'outil fonctionne irrégulièrement ou semble perdre de la force – la lampe témoin est verte	<p>Le fil de bougie est lâche</p> <p>Le fil de bougie est sale, l'outil surchauffe</p> <p>Le filtre de l'élément de contact est sale, l'outil surchauffe</p>	<p>Vérifier le fil de bougie</p> <p>Enlever le filtre et nettoyer, Utiliser de l'eau et du savon pour enlever les débris tenaces</p>
L'outil fonctionne et plante les attaches, mais la lame guide ne retourne pas en position haute	<p>Accumulation de saleté sur la lame guide ou l'alésage de pointe</p> <p>Le contrôle intermédiaire est sale ou désactivé</p>	<p>Nettoyer la lame guide et l'alésage de pointe à l'aide d'un nettoyeur dégraisseur</p> <p>Retourner l'outil chez un dépositaire autorisé sans fil Paslode pour en faire la réparation.</p>
La chambre de combustion ne baisse pas après que l'outil complète son cycle	<p>L'élément de contact avec la pièce est tordu ou sale</p>	<p>Nettoyer ou remplacer l'élément de contact avec la pièce</p>

Si l'outil ne fonctionne pas suite aux instructions de service précédentes, retourner l'outil chez un représentant autorisé Paslode® pour en faire le service

Pour le représentant Paslode® le plus près, téléphoner au 1-800-387-6472.

Pour le soutien technique, téléphoner au 1-800-387-6472.

Diagnostic de défaillance

Préparation de l'outil - Problèmes de batterie ou de recharge

SYMPTOMES	PROBLÈMES POSSIBLES	ENTRETIEN
La batterie ne semble pas accepter une charge lorsque le chargeur et la batterie sont branchés dans l'adaptateur de montage mural.	Lampes témoin ne fonctionnent pas, ou chargeur défectueux	Essayer la batterie dans l'outil suite à un cycle complet de recharge. Si la diode DEL de l'outil est verte, le chargeur ne fonctionne pas bien. Remplacer le chargeur, ou surveiller le temps de recharge pour assurer que la batterie a bénéficié d'une période de temps adéquate pour se recharger. Il est normal que la batterie soit tiède suite à la recharge.
Le chargeur de batterie cillnote rouge/vert pour plus de 20 minutes	Batterie défectueuse	Remplacer la batterie
Le chargeur chauffe, fait du bruit, ou dégage de la fumée durant le cycle de recharge. Le cordon du chargeur ou la prise surchauffent.	Batterie endommagée ou son cycle de vie est périmé.	Remplacer la batterie
	Chargeur endommagé	Immédiatement cesser de l'utiliser et débrancher de la source de courant. Remplacer le chargeur et bien l'identifier pour en disposer et éviter de le re-utiliser dans la source de courant.

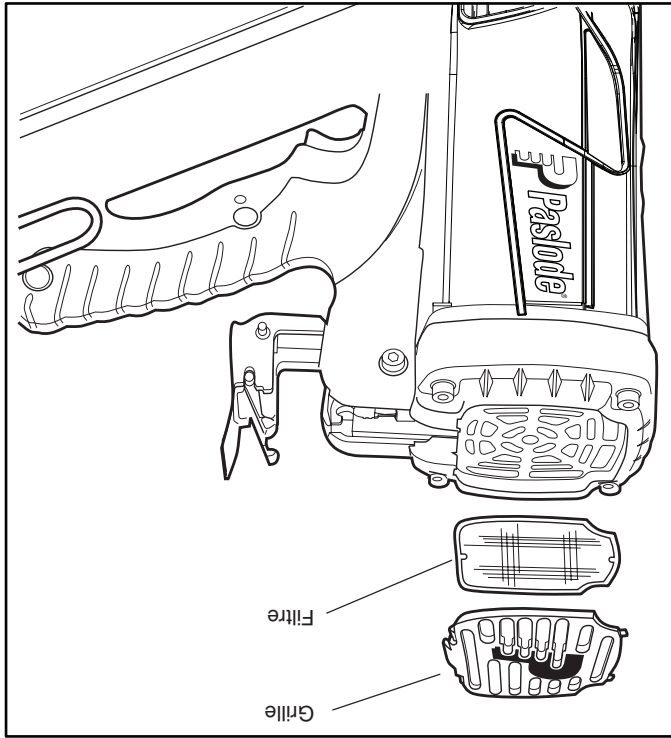
Étape d'opération normale

SYMPTOMES	PROBLÈMES POSSIBLES	ENTRETIEN
Le ventilateur ne fonctionne pas – la lampe témoin est rouge, clignotante ou continue	La batterie n'est pas chargée	Charger la batterie
	Les terminaux de batteries sont huileux, sales ou corrodés	Nettoyer les terminaux avec un linge ou une gomme de crayon
Le ventilateur ne fonctionne pas, ou est moins rapide que d'habitude – la lampe témoin est rouge sans clignoter.	La batterie est déchargée	Recharger la batterie
L'élément de contact avec la pièce ne s'enfoncé pas complètement – l'outil ne fonctionne pas.	Il reste quatre (4) clous ou moins dans l'outil	Charger une languette de clous
	Le levier de blocage est coincé en position fermée	Vérifier le dispositif de blocage, si incapable de libérer, retourner l'outil chez un distributeur autorisé Paslode pour en faire la réparation.
L'élément de contact avec la pièce ne fonctionne pas – le ventilateur fonctionne, la lampe témoin est verte, continue.	L'élément de contact avec la pièce est tordu, usé ou à son ajustement maximum	Enlever et inspecter la sonde du bas. Nettoyer, ajuster ou remplacer la sonde du bas tel que requis.
	Le transporteur n'est en ligne avec les attaches	Placer le transporteur en ligne avec les attaches
	La cartouche à carburant est vide	Remplacer la cartouche à carburant
	Le fil de bougie est débranché	Enlever le couvercle et vérifier le contact, insérer dans la bougie et remettre le couvercle
	La bougie est sale	Nettoyer la tête du moteur de l'outil et la bougie
	Aucune étincelle n'est produite	Retourner l'outil chez un distributeur autorisé Paslode® pour en faire le service

Assurez-vous que les vis de montage du magazine soient bien serrées et que le magazine soit bien appuyé sur la pointe. Tenter de faire fonctionner l'outil avec un magazine lâche donnera un manque de contrôle des clous, des dommages à l'outil ou une décharge de l'attache en direction de l'utilisateur.

Filter à air

Ouvrir la grille en poussant doucement le haut de l'adaptateur, et ouvrir la grille en la faisant pivoter. Le filtre à air est tout simplement soulevé. Taper le filtre doucement pour enlever tous débris. Vérifier et nettoyer le filtre à air tous les deux jours. De l'eau et du savon restaurent le filtre à presque un état de neut.



Routine de fin de journée

À la fin de chaque journée de travail, procéder à une routine de fin de journée. Ces étapes simples en entretien visent à conserver la sécurité et la pleine fonctionnalité de la cloueuse à charpente sans fil Paslode.

Avant de quitter le site de travail:

1. Enlever la batterie et la remettre dans le boîtier de l'outil. Toujours utiliser le boîtier de la cloueuse à charpente sans fil pour transporter et remettre l'outil.

2. Disposer de toutes les cartouches à carburant épuisées. Souvenez-vous de vous débarrasser de ces cartouches là où elles seront hors de portée des enfants, et sans la possibilité qu'elle soient écrasées, percées ou incinérées.

Arrivé au domicile :

1. Placer la batterie dans son chargeur si elle nécessite un recharge tel qu'indiqué par la lampe témoin rouge sur le manche de l'outil.
2. Essuyer la cloueuse à charpente sans fil avec un linge propre et doux.
3. Enlever et nettoyer le filtre à air tous les deux jours.

Nettoyage et lubrification de l'outil

Un nettoyage ainsi qu'une lubrification périodiques sont nécessaires afin de conserver à la cloueuse à charpente sans fil sa pleine productivité. L'outil devrait être nettoyé et lubrifié au moins à tous les 50.000 cycles. Ce chiffre pourrait varier dépendamment du niveau d'utilisation de l'outil ainsi que des conditions dans lesquelles il est utilisé. Le tableau dans les instructions de nettoyage vous aidera à déterminer la fréquence de nettoyage nécessaire.

Cloueuse à charpente sans fil Paslode Accessoires d'outils sans fil

Une grande variété d'accessoires est disponible pour la cloueuse à charpente sans fil Paslode

Élément de contact avec la pièce non marquant, no de pièce 901252

Batterie – no de pièce 902654C

Lunettes de sécurité transparentes – no de pièce 401382

Huile de lubrification Paslode – no de pièce 401482

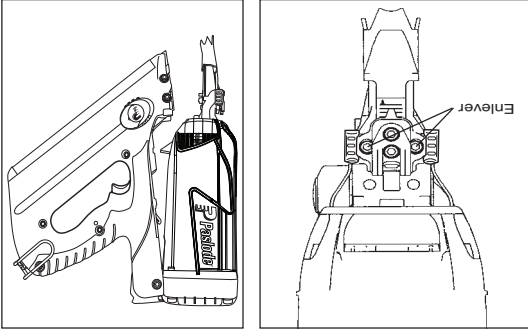
Ensemble de recharge de batterie – no de pièce 902654C

Boîtier de cloueuse à charpente sans fil Paslode – no de pièce 905607

Contactez votre représentant Paslode® pour plus de renseignements

Outils

Une clé hexagonale 5/32 (no de pièce 401331) est fournie avec chaque cloueuse à charpente sans fil Paslode.



6. Recharger les attaches et libérer le transporteur montage

5. Aligner la poignée / magazine avec la pointe de l'outil et serrer les vis de montage.
4. Tirer la poignée / magazine loin de la pointe de l'outil et libérer le blocage hexagonale 5/32.

3. Desserrez les deux (2) vis de montage du magazine à l'aide de la clé attaches

2. Verrouiller le transporteur en place dans le magazine et enlever les attaches

1. Enlever la cartouche à carburant et la batterie

une attache bloquée est très facile à libérer. Grâce à la conception unique de la clouuse à charpente sans fil, Un problème occasionnel serait d'avoir un blocage d'attache.

Dégagement d'un blocage

* Les cartouches dont la date d'expiration est échuue peuvent laisser échapper du carburant lorsque sollicitées en position verticale ou horizontale mais ne fourniront pas de gaz à plus de 2 ou 3 reprises pour cause de pression interne réduite (pour plus de détails, se référer à la page 10).

épuisée de façon adéquate.

4. Si du carburant n'est pas relâché chaque fois que le couvercle de la cartouche est pressé, cela indique qu'il n'y a plus de carburant dans le cylindre et qu'il doit être remplacé. Disposer de la cartouche à carburant

3. Une petite quantité de gaz devrait s'échapper à chaque pression (5) cartouche contre un objet fixe.

2. Repoussez doucement à cinq reprises l'extrémité du capuchon de la cartouche doucement à cinq reprises (5) cartouche contre un objet fixe.

est important pour un essai valide).

1. Maintenez la cartouche en position verticale, le fond dirigé vers le sol (ceci

Portez des lunettes de sécurité lorsque vous effectuez cette vérification. Ne jamais faire ce test près d'une flamme à découvert ou des étincelles, en fumant ou de telle manière que le carburant risque d'entrer en contact avec les yeux.

DANGER



Essai pour déterminer si la cartouche fournit du carburant:

Si le ventilateur de la clouuse à charpente sans fil fonctionne et que la lumière est verte, mais l'outil ne cycle pas ou n'enforce pas les attaches complètement, vérifiez la cartouche à carburant. Retirez en premier la cartouche de carburant de l'outil et vérifiez la date « Best Use Before » estampillée en dessous de la bonbonne. Si la date est dépassée, la cartouche de carburant pourrait ne pas fournir de façon constante la quantité suffisante de carburant, même si elle n'a jamais été utilisée.

Vérification de la cartouche à carburant

Limiter l'entretien en chantier aux points suivants

VÉRIFIER LE NIVEAU DE CHARGE DE LA BATTERIE

RECHARGER LA BATTERIE

VÉRIFIER LA CARTOUCHE DE CARBURANT

REMPLACER LA CARTOUCHE DE CARBURANT

NETTOYER LE FILTRE À AIR

DEGAGER UN BLOUAGE

Toute tentative d'entretien au-delà de ces procédures pourrait résulter en des blessures sérieuses ou causer des dommages à la clouuse à charpente sans fil et annuler la garantie.

Certains problèmes pourraient survenir en utilisant la clouuse à charpente sans fil que vous pourrez corriger sur le site de travail. Les procédures suivantes d'entretien en chantier sont les seules que vous devriez tenter. Toute autre anomalie de la clouuse à charpente sans fil devrait être diagnostiquée et réparée par un technicien qualifié ayant reçu une pleine formation. Si vous êtes porté à croire que le problème dépasse les procédures d'entretien incluses dans ce manuel, contactez votre représentant Paslode immédiatement.

Ne jamais tenter l'entretien de la clouuse à charpente sans fil Paslode sans avoir auparavant enlevé la cartouche à carburant et la batterie. Tout entretien doit être initié uniquement après avoir rendu l'outil complètement non fonctionnel.

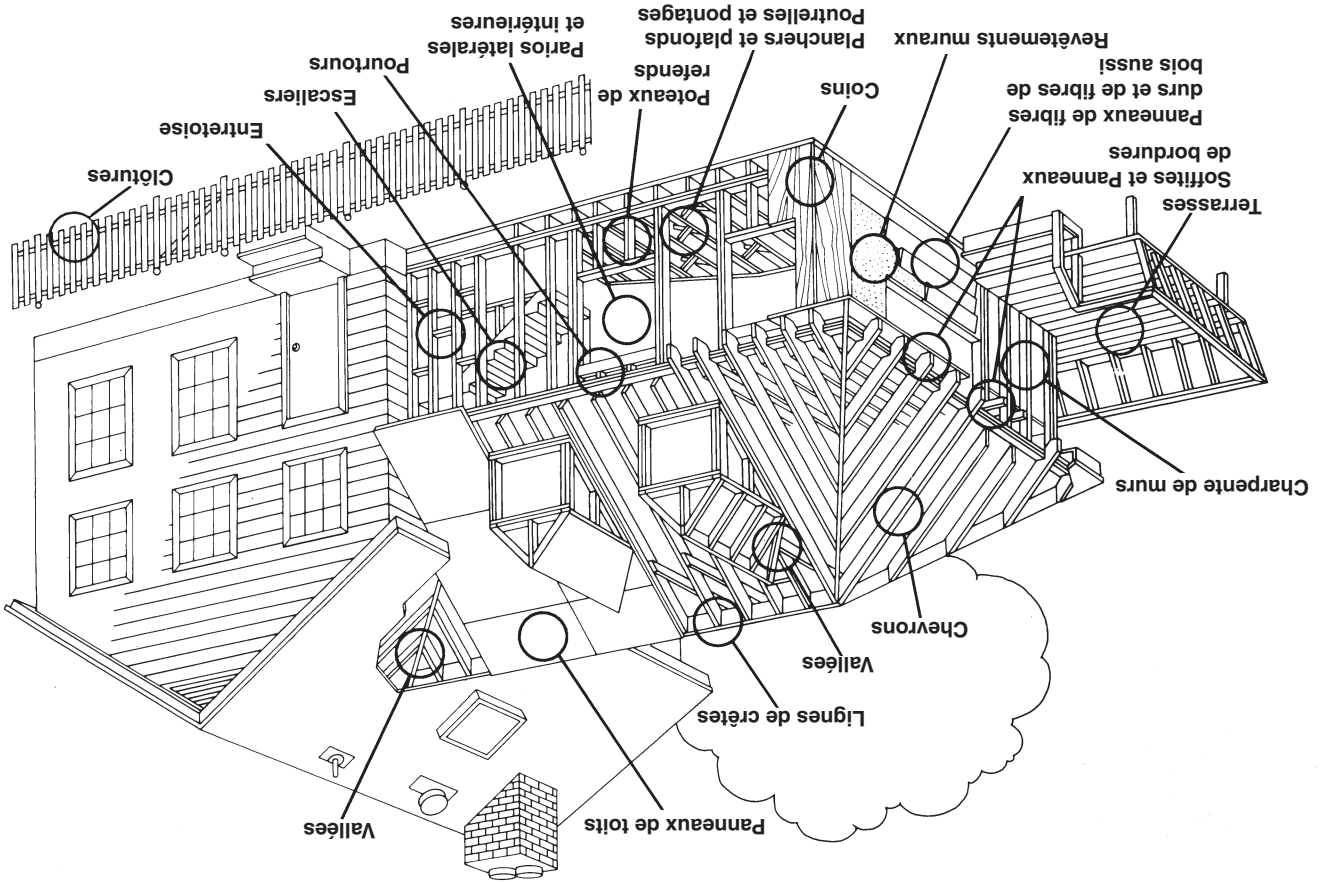
DANGER



Vérifier périodiquement la lampe témoin de la batterie qui se trouve dans le manche de la clouuse à charpente sans fil. La première étape, en cas de panne, est de vérifier si la batterie possède assez d'énergie pour faire fonctionner l'outil.

Lorsque l'unité de contact avec la pièce est poussée constamment allumée. Si la lumière tourne au rouge, lumière verte clignotante arrête de clignoter et reste clignotante ou continue, recharger la batterie.

Vérification de la batterie



GRANDEUR

TYPE

APPLICATION

2" x .113 (6D)	Corps bouclé commun	Corps bouclé commun	Corps bouclé commun, temps galvanisé à chaud et plus	Corps bouclé	Toits et planches de terrasse, sous finition, revêtement	2" x .113 (6D)	Clou enduit	Charpente
2-3/8" x .113 (8D)	Corps bouclé	Corps bouclé à chaud et plus	Corps bouclé enduit, temps galvanisé à chaud et plus	Corps bouclé	Corps bouclé, temps galvanisé à chaud et plus	2-3/4" x .113 (8D)	Clou enduit	Charpente
3" x .120 (10D)	Clou enduit	Corps bouclé, temps galvanisé à chaud et plus	Remodelage	Clou enduit	Clou enduit	3" x .120 (10D)	Clou enduit	Charpente
3" x .131 (10D)	Clou enduit	à chaud et plus	Remodelage	Clou enduit	Clou enduit	3-1/4" x .131 (12D)	Clou enduit	Charpente

Corps uni – Pour construction générale, menuiserie et charpente, le plus populaire et versatile

Corps bouclé – Le corps bouclé donne plus de résistance à l'enlèvement pour les applications la où la résistance des clous à corps uni n'est pas adéquate: planchers de terrasses, mise en caisse, palettes.

Acier trempé – Pour attacher les plaques en bois aux fondations en ciment vert; 2X bandes de clouage aux blocs en béton.

Tempé galvanisé à chaud – Ces clous sont galvanisés à chaud

Ils offrent la plus haute résistance à la corrosion de tous les clous galvanisés. Ces clous devraient être utilisés là où une plus haute résistance à la corrosion est requise pour retarder la rouille et les tâches de rouille. Recommandés pour utilisation dans les parements extérieurs en bois naturel, tel que cèdre, bois du Brésil, cyprès et le bois traité au préservatif. (ne pas utiliser dans les fondations en bois tout climats)

La clouuse à charpente sans fil Paslode n'est pas recommandée pour une utilisation avec des clous de 3 pouces bouclés dans le bois traité sous pression.

Opération de la clouuse à charpente sans fil Paslode

POUSSER L'ÉLÉMENT
DE CONTACT AVEC LA
PIÈCE CONTRE LA
SURFACE DE TRAVAIL

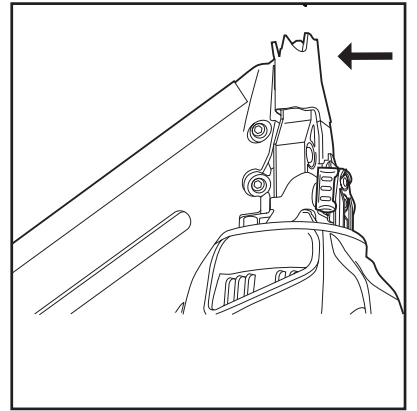
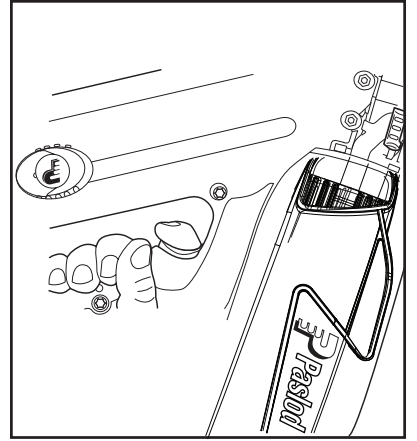
Le ventilateur démarre, le
carburant est injecté dans
la chambre de combus-
tion et est mélangé avec
de l'air par le ventilateur

TIRER SUR LA
GACHETTE

La bougie produit une
étincelle, le mélange
air/carburant s'allume. La
combustion pousse le
piston qui plante l'attache.

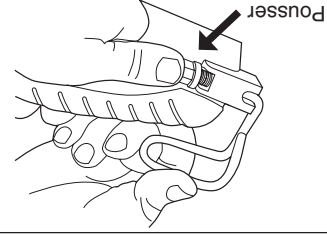
La chambre de combus-
tion s'ouvre, le ventilateur
expulse les gaz chauds et
refroidit les composantes
internes.

Note: Le ventilateur fonctionnera pour
10 secondes après avoir planté le
dernier clou.



!
DANGER

L'élément de contact avec la pièce ainsi que la pointe
devennent chauds avec l'usage prolongé ou rapide.
Si il s'avère nécessaire d'ajuster l'élément de contact
avec la pièce, éviter de manipuler à mains nues.



Crochet utilitaire ajustable

Le crochet utilitaire peut être utilisé comme crochet
à ceinture ou à chevrons. Pour l'ajuster, pousser le
bouton noir en direction de la flèche et tourner à la
position désirée.

Ajustement de profondeur de course

Enlever la batterie avant d'ajuster la profondeur de course

L'ajustement de profondeur de course s'accomplit en ajustant
l'élément de contact avec la pièce. En tirant l'arrêt de sonde vers
l'extérieur, loin de l'outil, l'élément de contact avec la pièce peut être
haussé ou baissé.

Si l'outil a trop de profondeur de course (la tête de clou est enfoncée
plus bas que la surface de la pièce), l'élément de contact avec la
pièce devrait être baissé légèrement. Si les clous dépassent la
surface de la pièce (la tête n'effleure pas la surface de la pièce),
l'élément de contact avec la pièce devrait être haussé légèrement.
Les crans de l'indicateur sont à des intervalles de 1/10 de pouce
donnant un rayon d'action de 1/2 pouce.

Ajuster l'élément de contact avec la pièce afin d'ajuster la profondeur
de la tête du clou pour satisfaire les besoins de la tâche.

Élément de contact avec la pièce non marquant

Pour les applications qui exigent que la pièce de travail
demeure sans marques, telles que les revêtements extérieurs de
parement ou pour les terrasses, commander l'élément de
contact avec la pièce non marquant, no de pièce 901252

!
DANGER

Ne jamais tenter d'opérer la clouuse à charpente sans fil
sans que les deux vis d'ajustement ne soient en place. Si
on enlève intentionnellement une vis d'ajustement, on
risque un mauvais fonctionnement de l'outil, une perte de
contrôle du clou ainsi que des blessures à l'utilisateur ou
aux spectateurs.

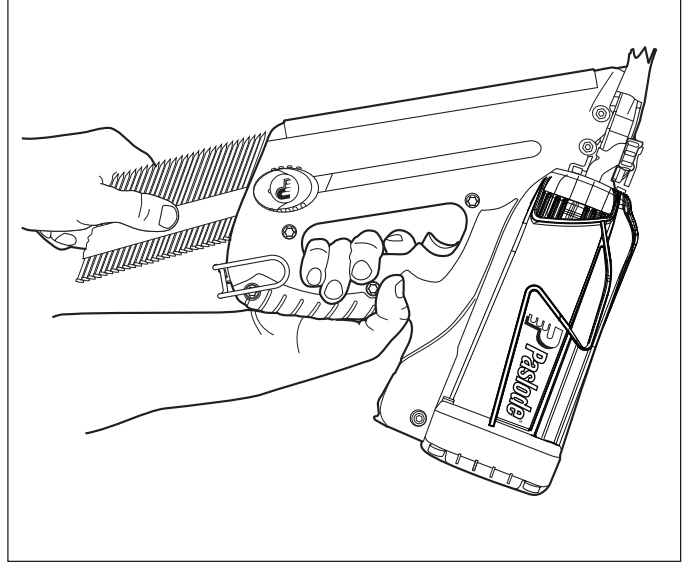
Préparation de la clouuse à charpente sans fil Paslode avant de l'utiliser

Attaches

La clouuse à charpente sans fil Paslode utilise des clous RoundDrive® Paslode, qui sont collationnés en languettes. L'utilisation de clous qui ne rencontrent pas les normes de Paslode pourrait causer des dommages à l'outil et annuler votre garantie. Les modèles et grands modèles des clous Paslode sont illustrés dans la section des attaches et applications.

Charger les attaches

ETAPE 1 : Pour charger, tirer la poignée du transporteur vers l'arrière en position verrouillée (le bouton va apparaître)
ETAPE 2: Insérer une languette de clous et relâcher le transporteur en poussant sur le bouton



Il existe un indicateur de recharge sur le transporteur et sur l'outil. Une languette complète peut être chargée à cet endroit tel que démontré ci haut.

OPERATION PAR TEMPS CHAUD

Utiliser la clouuse à charpente sans fil à l'extérieur, par temps clair, alors que l'outil, la cartouche de carburant et la batterie soient entre 14°F (-10°C) et 120°F (49°C).

La clouuse à charpente sans fil nécessite le refroidissement du moteur afin de fonctionner proprement. Le ventilateur produit normalement assez de flot d'air pour permettre une utilisation ininterrompue. Lorsque la clouuse à charpente sans fil demeure sans fonctionner pour une période prolongée, conserver l'outil et le carburant loin des rayons directs du soleil et dans un environnement ou la température ne dépassera pas 120°F (49°C). Suite à des périodes d'utilisation continues et prolongées, il pourrait être nécessaire de laisser refroidir le moteur en laissant l'outil reposer 10 à 15 minutes ou jusqu'à ce que l'outil fonctionne normalement. Un outil qui surchauffe pourrait ne pas complètement planter les clous ou mal fonctionner.

OPÉRATION PAR TEMPS FROID

Le carburant perd la force propulsive requise à basse température. Assurez vous que l'outil, la batterie et la cartouche de carburant soient au dessus de la température minimum d'opération sans les exposer directement à une flamme et vérifier la batterie.



La clouuse à charpente sans fil ne devrait pas être utilisée dans la pluie ou là où il y aurait excessivement d'humidité. L'utilisation de la technologie Paslode pour outils sans fil dans ces conditions pourrait causer des dommages aux composantes de l'outil et son mauvais fonctionnement.

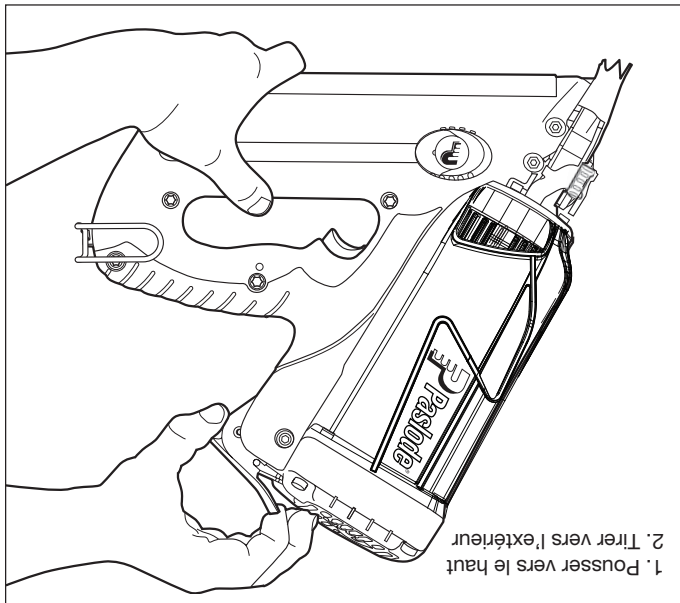
Dispositif de verrouillage

Le but de ce dispositif est afin de prévenir de cycler inutilement l'outil à blanc, ce qui pourrait gaspiller le carburant et endommager les composantes de l'outil. Cinq (5) clous demeurent dans le magazine lorsque le transporteur atteint le point de verrouillage. La flèche de l'indicateur indique que vous pouvez recharger. Elle n'indique pas que la clouuse à charpente sans fil est vide. À cause du dispositif de verrouillage, la clouuse à charpente sans fil ne fonctionnera pas lorsque moins que six (6) clous sont disponibles.

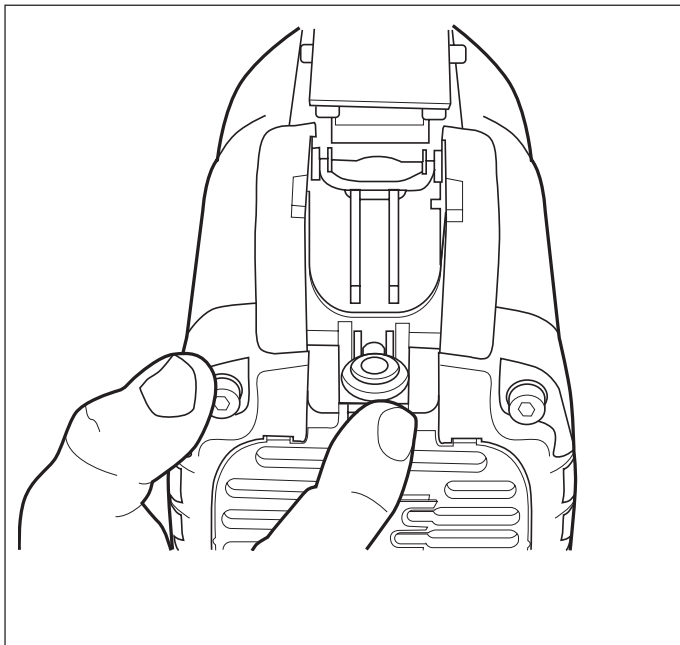
Clouuse à charpente sans fil Paslode et climat de plein air

Insertion de la cartouche à carburant

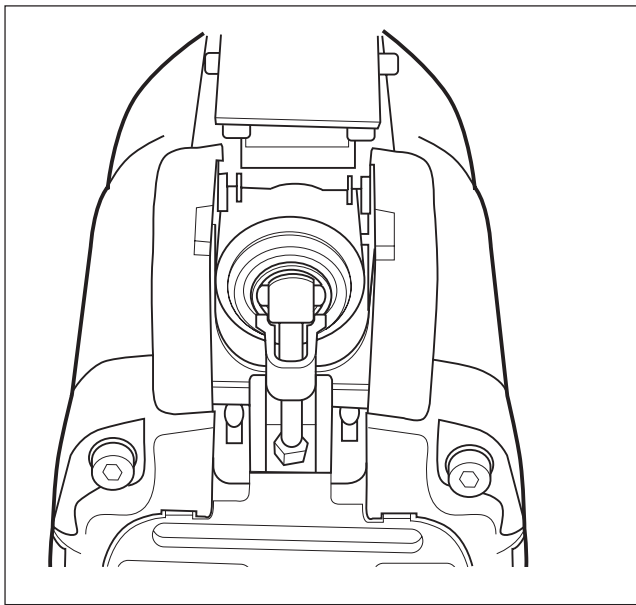
A. L'insertion de la cartouche à carburant dans l'outil à charpente sans fil est très simple. Pour commencer, pousser vers le haut au bas du couvercle de l'actionneur et faire pivoter vers l'extérieur pour ouvrir. Le couvercle pivote pour donner champ libre.



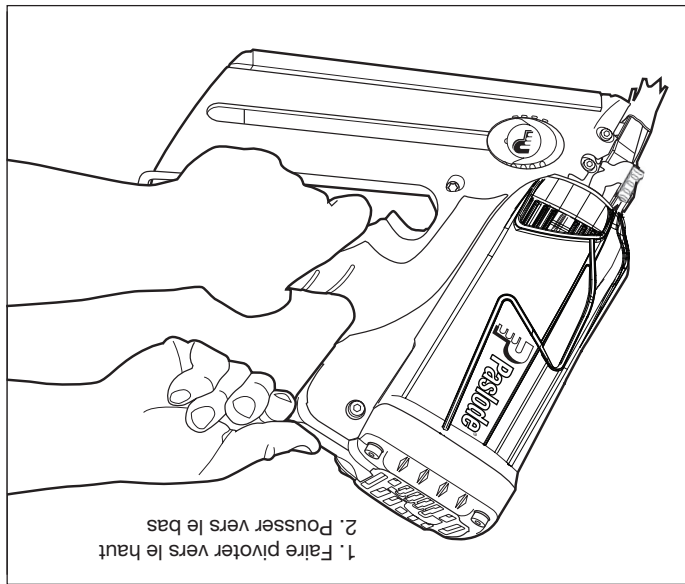
B. Soulever l'adaptateur de la cartouche et insérer la cartouche à carburant Quicklode dans l'outil.



D. Refermer le couvercle de l'actionneur afin de compléter la recharge de carburant dans la clouse à charpente sans fil. Ceci est accompli en le faisant pivoter vers le haut et par-dessus la cartouche à carburant, ensuite en poussant vers le bas jusqu'à ce que le couvercle de l'actionneur s'enclenche en position.



C. Relâcher l'adaptateur en le centrant sur la cartouche à carburant de la clouse.

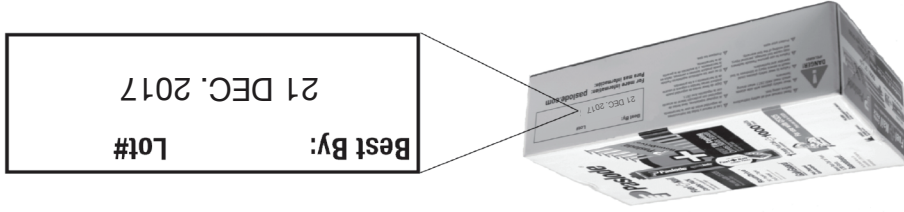


NOTE:
Les cartouches à carburant Paslode pour outils sans fil sont identifiées avec une date limite au bas du contenant.
Utiliser le carburant avant cette date pour une performance maximum

Couvercle de la cartouche à carburant →



Utiliser avant la date →



Les cartouches pour outils sans fil Paslode sont inflammables.

! DANGER !

Directives pour disposer des cartouches/piles à combustible pour outils sans fil Paslode

Paslode ne peut être tenue responsable de la disposition des cartouches/piles à combustible. Cette disposition adéquate demeure la responsabilité de l'acheteur et de l'utilisateur. Tous les revendeurs et les utilisateurs doivent contacter les autorités en déchets locales afin de déterminer si des règlements ou lois locales interdisent ou en limitent la disposition.

Les utilisateurs peuvent obtenir plus d'information à propos des règlements sur la disposition de rebuts dangereux auprès d'environnement Canada à l'adresse suivante: www.ec.gc.ca

Cartouche à carburant Quicklode MC

Cartouche à carburant

On trouve un second contenant à l'intérieur de la pile à combustible. Le contenant interne contient le combustible. L'espace entre les deux contenants est rempli d'un gaz, le gaz propulsif, qui lui est sous pression.

Afin d'éjecter le combustible, le propulsif applique de la pression sur le contenant interne, un peu comme un tube de dentifrice. Cette action de serrage assure que tout le combustible soit utilisé, et que la clouseuse à charpente sans fil peut fonctionner dans n'importe quelle position. Cependant, après un certain temps, la pression de l'aérosol propulseur diminue jusqu'au point de ne plus pouvoir expulser le carburant de la bonne. C'est pourquoi une cartouche de carburant utilisée après sa date « Best Use before » pourrait ne pas procurer un fonctionnement consistant ou ne pas fonctionner du tout.

Si les cartouches de carburant épuisées ou de date d'expiration échue sont exposées à une température élevée, son gaz propulseur prendra de l'expansion et pourrait faire éclater la bonne et laisser fuir des gaz inflammables.

Le carburant contient une petite quantité d'huile pour garder l'outil lubrifié durant son utilisation. Il n'est pas nécessaire de lubrifier l'outil durant le fonctionnement normal. Lors du nettoyage de l'outil, utiliser uniquement de l'huile à outils sans fil Paslode. Si vous utilisez de l'huile non formulée pour les outils Paslode sans fil, il pourrait y avoir une perte de performance et des dommages aux composants internes du moteur de l'outil.



1. Ne pas tenter d'enlever ou de réutiliser le couvercle de la cartouche à carburant.

2. Ne pas tenter d'installer ce capuchon de bonne de carburant sur d'autres modèles de bonnes. Ceci pourrait endommager l'outil ou causer des blessures à l'opérateur ou personnes avoisinantes.

NOTE

1. Ne jamais tenter de remplir la cartouche! Remplacer uniquement par une pile à combustible fraîche et disposer la pile épuisée de façon appropriée.

2. Pour une performance optimisée, remplacer aussi le filtre à air en même temps que la cartouche à carburant.

REMARQUE: Limitations en altitude

La force d'enfoncement des outils Paslode sans fil provient d'un mécanisme à combustion affecté par l'altitude. À des élévations au-dessus de 1829 m (6000 pi), il se pourrait que l'outil soit moins puissant ou ne fonctionne pas cycliquement.

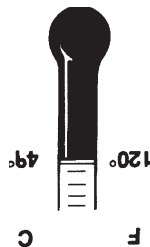
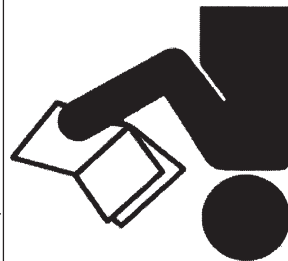


RISQUE DE FEU / EXPLOSION

Lire TOUTES les instructions de sécurité avant d'utiliser ou manipuler la cartouche à carburant. Le manque à suivre TOUTES les instructions pourrait résulter en un feu ou une explosion. Ceci pourrait causer des blessures personnelles graves ou des dommages à la propriété.

Garder la pile à combustible loin de la chaleur, des étincelles ou de flamme à découvrir. Ne pas fumer lorsque l'on manipule ou utilise l'outil ou la pile à combustible.

Une exposition à des températures dépassant 120°F (49°C) pourrait causer l'éclatement de la pile à combustible, relâchant ainsi du gaz inflammable.



Les rayons solaires peuvent faire monter la température à plus de 140°F (60°C) à l'intérieur d'un véhicule non ventilé ou du boîtier d'entreposage.

Ne jamais percer ou tenter d'ouvrir la pile à combustible; elle est à remplissage unique.

Ne jamais tenter d'incinérer, réclamer ou de recycler la pile à combustible. Ne jamais fumer durant l'installation ou l'opération de la pile à combustible ou de l'outil.

Ne jamais inhaler le produit vaporisé

Garder hors de portée des enfants

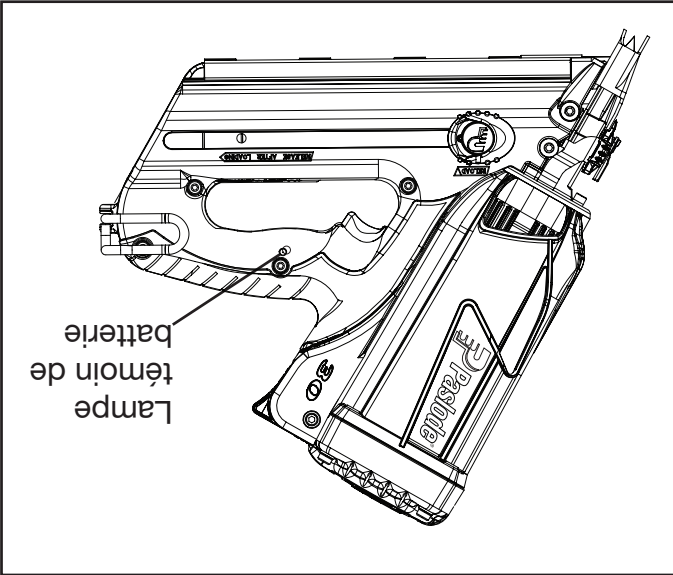
Conserver la (les) pile(s) à combustible uniquement dans des endroits bien ventilés.

Système de recharge et batterie

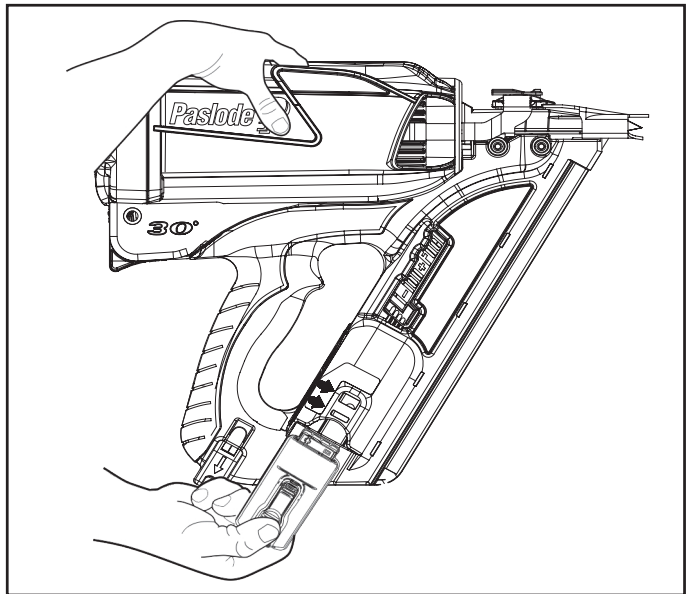
Lampe témoin de batterie

L'illustration et un gros plan du côté du manche de la clouuse à charpente sans fil Paslode. L'on y trouve une petite lentille en plastique, c'est la lampe témoin de la batterie.

Lorsque vous insérez une batterie ayant pleine charge dans l'outil, vous verrez une lumière clignotante verte. Si la lumière clignote en rouge, rechargez la batterie.



Insertion de la batterie



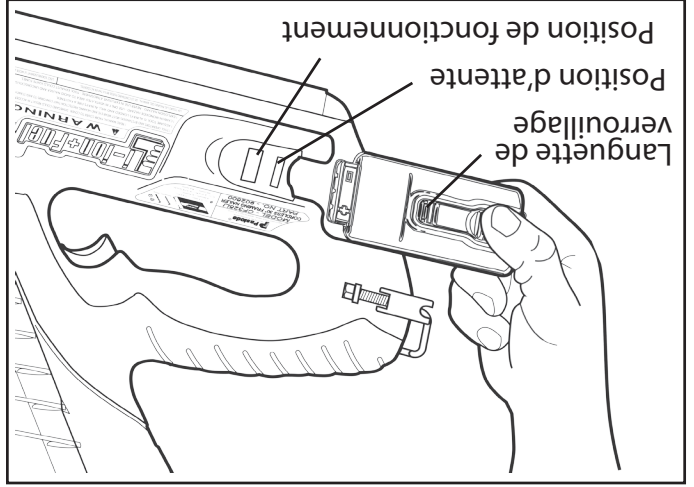
1. Insérer la batterie dans la clouuse à charpente sans fil, terminaux en premier.
2. Enclencher la batterie pleinement en position barrée.
3. Pour enlever la batterie, pousser la languette de blocage vers le bas et retirer la batterie.

NOTE: Si la batterie est laissée dans l'outil pour une période de temps prolongée, la batterie se déchargera complètement et nécessitera une pleine recharge.

Position d'attente du bloc-piles

Le bloc-piles peut être placé en position d'attente durant les périodes prolongées de non utilisation

Pour ce faire, repoussez vers le bas la languette de verrouillage et faites glisser le bloc-piles vers l'arrière de sorte que la languette prenne place dans l'ouverture de la poignée.



Système de recharge et batterie

Notes importantes concernant la recharge

L'outil sans fil Paslode est muni d'une batterie lithium-ion rechargeable et de son propre système de recharge. Ce système de recharge est le seul compatible avec toutes les batteries lithium-ion. La première étape pour préparer l'utilisation du nouvel outil est de donner une charge complète à la batterie. Les nouvelles batteries sont expédiées partiellement sans aucune charge et doivent être chargées avant leur mise en service. Les batteries requièrent entre cinq minutes et un heure (période de temps qui dépend du niveau de décharge de la batterie) de charge.

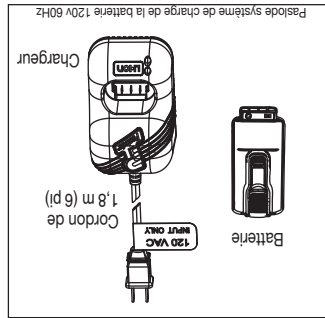


AVIS  **RISQUE D'EXPLOSION/-CHIMIQUE**

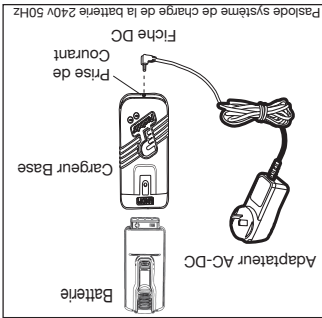
Lire **TOUTES** les instructions avant de charger ou d'utiliser la batterie. Le manque à suivre **TOUTES** les instructions pourrait résulter en un feu, des brûlures sévères, ou la relâche de substances toxiques.

Disposition de la batterie:

Les batteries sans fils Paslode contiennent du lithium et doivent être recyclées ou disposées de façon appropriée. Il est illégal dans certaines localités de jeter au rebut ou autre élimination de déchets solides des batteries au nickel cadmium. Vous pouvez contacter votre centre de recyclage local pour plus de détails comment vous départir de vos batteries épuisées ou téléphoner au 1-888-224-9764 pour apprendre comment recycler des batteries au lithium ion dans votre localité.

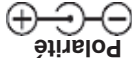



North America



Australia/New Zealand

Données Techniques

Batterie	7.4 VDC, 2150mAh, Lithium-ion
Entrée	120V AC, 60HZ
Débit	12VDC, 1.8A
Polarité	
Batterie	7.4 VDC, 2150mAh, Lithium-ion
Socle du chargeur Impulse	12VDC
Impulse adaptateur (DC)	240V, 50HZ
Energie	240V, 50HZ
Débit	12VDC, 1.8A
Polarité	

Temps de recharge

Première charge (nouvelle batterie) 1.5 heure
Batterie déchargée de cinq minutes à un 1.5 heure

À ne pas faire durant la recharge:

1. Ne jamais charger la batterie à l'extérieur ou à des températures moindres que 40° F (5° C).

2. Ne jamais permettre à des objets métalliques de venir en contact avec les terminaux de la batterie
3. Ne jamais percer ou tenter d'ouvrir le boîtier ou les cellules de la batterie.

4. Ne jamais entreposer la batterie à des températures qui pourraient dépasser 120°F (49°C).

5. Ne jamais incinérer la batterie
6. Ne jamais utiliser un chargeur de batterie défectueux, qui surchauffe et/ou qui produit de la fumée lorsque branché au courant.
7. Ne jamais immerger la batterie dans l'eau

NOTE

Si la batterie est complètement déchargée, les lumières verte et rouge pourraient clignoter par intermittence pour une période allant jusqu'à 20 minutes. Cette mesure de sécurité accorde à la batterie un mode de recharge lente jusqu'à ce qu'elle soit prête à recevoir le plein courant de recharge. Si les lumières verte et rouge continuent à clignoter au-delà des vingt minutes, remplacer la batterie.

de recharge et la lumière verte s'éteint.

2. Enlever la batterie de l'outil ou du boîtier et insérer dans le chargeur, les terminaux vers le bas. La lumière rouge s'allume pour indiquer que la batterie est en mode

la charge système est prêt.
1B. Retirez le transformateur mural du boîtier de l'outil et branchez dans une prise 240V AC. Réglez la base de recharge sur une surface stable et insérer les le unité de transformation de la paro, plus dans la prise de courant sur la base du chargeur (voir schéma). Un voyant vert indique que l'alimentation est en marche et

1. Enlever Retirez le chargeur du coffre de l'outil et bran chez-le dans une prise à 120 Vc.a. Poser le chargeur sur une surface. Une lumière verte indique que le système est sous tension et prêt à être utilisé.

Instructions de recharge



Instructions de sécurité

18. GARDER LES MAINS LOIN DE LA SURFACE DE TRAVAIL.

<p>Une attache pourrait imprévisiblement sortir à angle et causer des blessures.</p>	
<p>AVIS </p>	



DIRECTIVES DE SÉCURITÉ DE RECHARGE DU SYSTÈME

**DIRECTIVES DE SÉCURITÉ IMPOR-
TANTES! CONSERVEZ CES DIRECTIVES!**

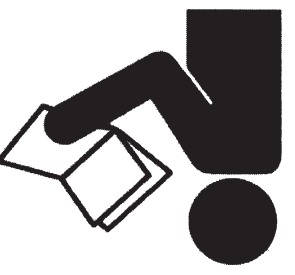
<p>DANGER  </p> <p>POUR RÉDUIRE LE DANGER D'INCENDIE ET DE CHOC ÉLECTRIQUE, RESPECTEZ CES DIRECTIVES</p>
--

Pour charger la batterie sur un réseau à l'extérieur de l'Amérique du Nord, utilisez un adaptateur de configuration adéquate pour la prise de courant locale.



13. TOUJOURS MAINTENIR UNE POSTURE SÉCURITAIRE, SOLIDE ET SANS OBSTACLE SUR ÉCHELLES, PLATE-FORMES ET AUTRES HAUT LIEUX.

<p>Ne jamais dépasser la portée normale, puisque le recul de l'outil pourrait causer une perte d'équilibre. Toujours prendre conscience des limites et bords du lieu de travail durant le clouage en toitures et autres haut lieux et les garder en pleine vue.</p>	
<p>AVIS </p>	

14. NE PERMETTRE QU'AU PERSONNEL QUALIFIÉ D'UTILISER LA CLOUSE À CHARPENTE SANS FIL.

<p>Seules les personnes qui ont lu et bien compris toutes les instructions se rapportant à l'opération, la sécurité et l'entretien de l'outil devraient avoir le privilège d'opérer l'outil.</p>	
<p>AVIS </p>	

15. ENTREPOSER LA PILE À COMBUSTIBLE DE FAÇON ADÉQUATE.

<p>Toujours entreposer l'outil, la pile à combustible et la batterie pour ne pas les exposer à des flammes à découvert, étincelles ou des températures dépassant 120° F (49° C).</p>	
<p>AVIS </p>	

16. TOUJOURS ENTREPOSER L'OUTIL APRÈS AVOIR ENLEVÉ LA PILE À COMBUSTIBLE ET LA BATTERIE.
Entreposer la pile à combustible dans le boîtier avec la clouse à charpente sans fil.

17. GARDER L'OUTIL BIEN ENTRETENU ET NETTOYÉ
Un outil propre a moins tendance à se bloquer ou mal fonctionner.

8. TOUJOURS POINTER L'OUTIL AILLEURS QUE VERS VOUS OU VERS LES AUTRES LORSQUE VOUS DÉBLOQUEZ LE MÉCANISME, ENLEVEZ LES ATTACHES, LA PILE À COMBUSTIBLE ET LA BATTERIE.



Tirez le transporteur légèrement vers l'arrière et pressez le levier de relâche. Levez le nez de l'outil légèrement vers le haut et les attaches devraient glisser hors de l'arrière du magazine. Si les attaches sont bloquées, reportez-vous à la section d'entretien pertinente qui se trouve dans ce manuel.

9. NE JAMAIS OPÉRER LA CLOUSE À CHARPENTE SANS FIL SI SES COMPOSANTES SONT LÂCHES, MANQUANTES OU ENDOMMAGÉES.

10. NE JAMAIS PLANTER DES ATTACHES DANS DES NŒUDS OU SUR D'AUTRES ATTACHES.

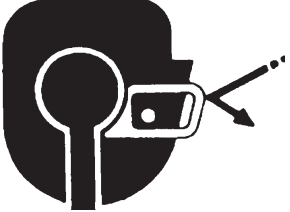

Une attache pourrait faire ricochet et causer des blessures sérieuses.

11. OPÉRER L'OUTIL UNIQUEMENT SUR LA PIÈCE DE TRAVAIL.

<p>La clouse à charpente sans fil doit uniquement être opérée lorsqu'en contact avec la pièce. Durant l'attache de matériaux minces, tels que le contreplaqué, assurez-vous de placer l'outil de façon à planter l'attache dans la pièce sous-jacente.</p>	
<p style="text-align: center;">AVIS </p>	

12. NE JAMAIS PLANTER DES ATTACHES DANS DES ENDROITS AYANT DES RISQUES CACHÉS.

Toujours vérifier si la surface sous-jacente à la pièce de travail contient des fils électriques, tuyauterie, conduits d'aqueducs, drains d'égoûts ou autre risques potentiels.

<p>De l'équipement de protection pour les yeux et l'outil doit être porté durant l'utilisation ou en proximité de la clouse à charpente sans fil Paslode</p>	
<p style="text-align: center;">AVIS </p>	

1. La protection pour les yeux doit rencontrer les normes standard ANSI Z87.1 et avoir des écrans latéraux pour une protection accrue. En tant qu'employeur, la responsabilité d'imposer l'utilisation de l'équipement de protection pour les yeux par l'opérateur de l'outil et tout le personnel dans la zone de travail vous incombe.

2. NE JAMAIS SUPPOSER QUE L'OUTIL EST DÉCHARGÉ

Ne jamais pointer l'outil vers vous ou tout autre personne.

3. NE JAMAIS INITIER DES JEUX BRUTAUX AVEC L'OUTIL

La clouse à charpente sans fil n'est pas un jouet – c'est un outil et son usage inapproprié et insouciant pourrait résulter en un accident sérieux.

4. NE JAMAIS TRANSPORTER L'OUTIL AVEC LE DOIGT SUR OU PRESSANT LA GACHETTE.

Cette pratique pourrait causer la décharge accidentelle d'une attache.

5. NE JAMAIS OPÉRER UN OUTIL QUI FONCTIONNE MAL.

Se référer à la section de l'entretien et de dépannage de ce manuel afin de corriger le problème. Si le problème ne peut être corrigé, cesser l'utilisation de l'outil et rapporter les détails à votre superviseur ou à votre représentant Paslode.

6. NE PAS RECHARGER LES ATTACHES AVEC LA PIÈCE PRESSE. OU L'ÉLÉMENT DE CONTACT AVEC LA PIÈCE PRESSE.

Une attache pourrait être déchargée accidentellement

7. NE JAMAIS OPÉRER L'OUTIL AVEC L'ÉLÉMENT DE CONTACT AVEC LA PIÈCE ENLEVÉ OU DÉSAMORCÉ


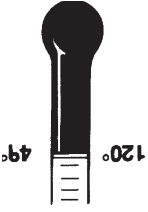
Ce dispositif aide à éliminer la décharge accidentelle potentielle d'une attache en empêchant le fonctionnement de l'outil jusqu'à ce qu'il y ait un contact solide avec la surface de travail.



NE JAMAIS opérer l'outil si l'élément de contact avec la pièce ne fonctionne pas correctement.


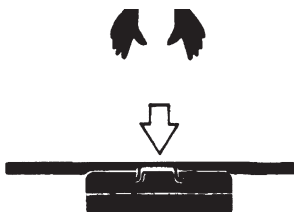
Instructions de sécurité

Les instructions de sécurité suivantes sont incluses dans ce livret afin de vous donner l'information de base nécessaire pour l'opération sécuritaire de la clouuse à charpente sans fil Paslode. NE PAS ESSAYER D'OPÉRER L'OUTIL AVANT D'AVOIR LU ET COMPRIS TOUTES LES PRÉCAUTIONS DE SÉCURITÉ ET DE MANUTENTION.


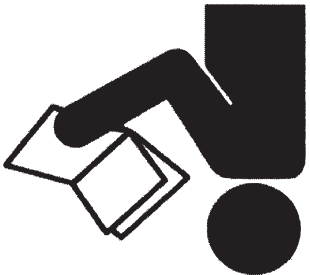
En plus de ces instructions, une formation pourrait être de mise. Contactez votre représentant Paslode pour plus de renseignements.

<p>AVIS </p>	
<p>Ne jamais entreposer ou exposer l'outil, les batteries ou le carburant à des températures dépassant 120° F (49° C). Le carburant ou la batterie pourrait éclater et relâcher des gaz combustibles.</p>	

<p>AVIS </p>	
<p>Cet outil doit être opéré uniquement dans un environnement bien aéré, puisque l'outil produit du monoxyde de carbone en échappement tel qu'une tronçonneuse ou une tondeuse à essence. L'exposition au monoxyde de carbone dans des endroits confinés pourrait causer des étourdissements, nausées, perte de conscience et la mort.</p>	

<p>AVIS </p>	
<p>Toujours garder la clouuse à charpentes sans fil, les piles à combustible, les batteries et le chargeur de batterie hors de portée des enfants.</p>	

<p>AVIS </p>	
<p>La clouuse à charpente sans fil Paslode est un dispositif à combustion interne. Elle produit des gaz d'échappement chauds qui pourraient allumer des matériaux inflammables. Ne jamais utiliser l'outil dans un milieu combustible ou en présence de matériaux combustibles, tels que produits chimiques inflammables, adhésifs, essence ou solvants.</p>	

<p>AVIS </p>	
<p>Ne jamais essayer d'opérer cet outil avant d'avoir lu et compris toutes les précautions de sécurité et de manutention. Le manque à suivre ces mesures de sécurité pourrait résulter en une perte permanente de la vue, des blessures personnelles sérieuses ou fatales, des dommages à la propriété et/ou endommager l'outil même.</p>	

Vue d'ensemble de la clouuse à charpente sans fil Paslode

Description

La clouuse à charpente sans fil Paslode est une clouuse complètement autonome et portative qui utilise un combustible hydrocarboné pour actionner un moteur à combustion interne linéaire de conception unique

Comme pour tout moteur à combustion interne, La clouuse Paslode nécessite un entretien périodique afin de conserver une performance d'opération maximale. Le livret couvrant la procédure de nettoyage de votre outil vous donnera tous les détails de l'entretien requis. Si d'autres services sont requis, contactez votre centre de service Paslode.

REMARQUE: Limitations en altitude

La force d'enfoncement des outils Paslode sans fil provient d'un mécanisme à combustion affecté par l'altitude. À des élévations au-dessus de 1829 m (6000 pi), il se pourrait que l'outil soit moins puissant ou ne fonctionne pas cycliquement.

Pile à combustible: Cartouche à carburant Quickload^{MC} Orange hydrocarbone liquide – Accorde assez de carburant pour planter environ 1200 attaches.

Batterie: 7.4 volts CD – Accorde assez d'énergie pour planter approximativement 9000 attaches sur une pleine charge

Capacité du magazine: 1 bande de clous + 5 attaches

Attaches: ruban papier collationné à 30°
Minimum 2 pouces x .133 diamètre de tige
Maximum 3-1/4 pouces x .131 diamètre de tige

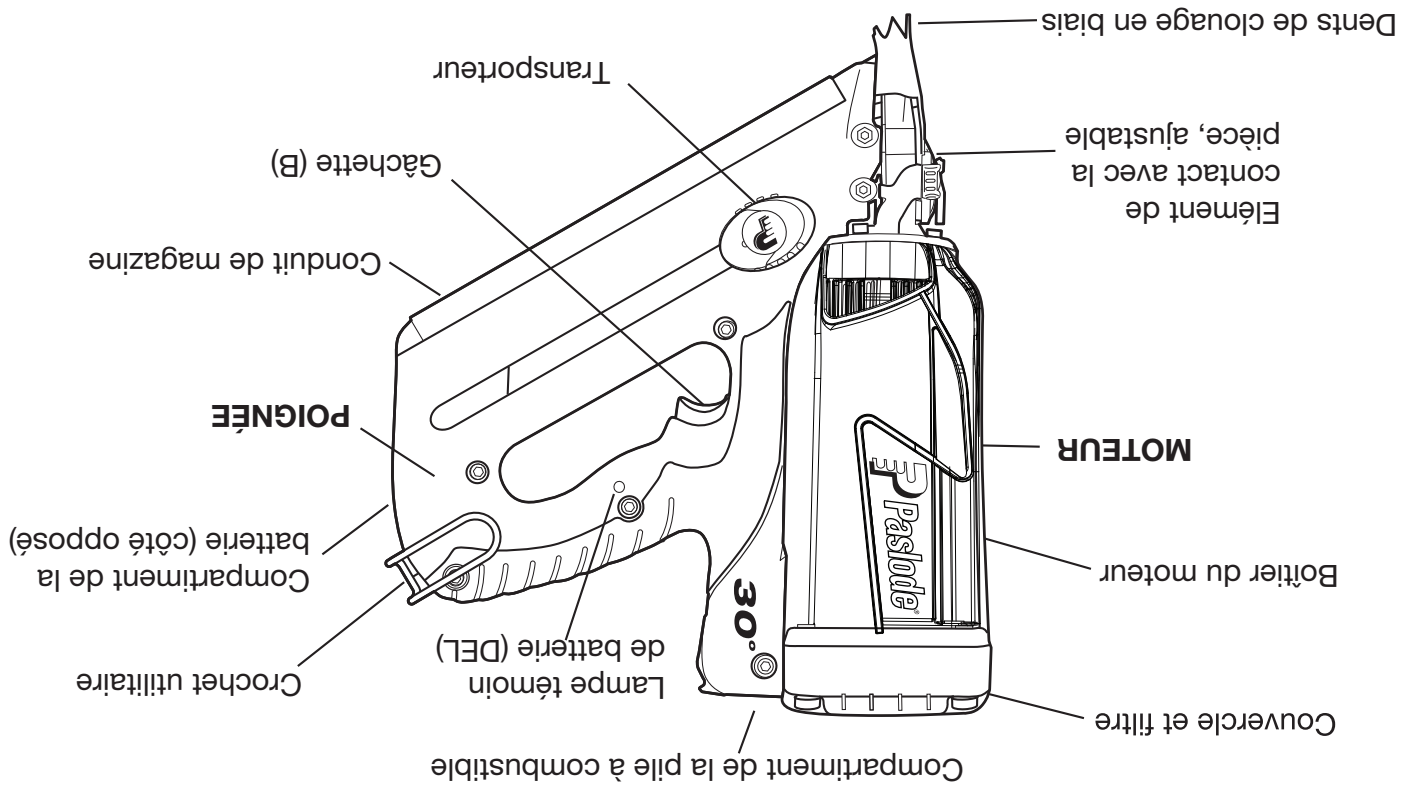
En utilisant la clouuse à charpente sans fil Paslode à son taux cyclique recommandé, vous serez en mesure de planter plusieurs milliers de clous durant une journée typique de travail.

NOTE: Dépasser ces taux pourrait causer la surchauffe de l'outil, ce qui pourrait résulter en une perte de performance ou des dommages aux composantes de l'outil.

Taux cyclique: Opération intermittente – 2 à 3 clous par seconde.

Dimensions: Poids (avec batterie) 7.2 livres
Hauteur 14-1/2 pouces
Longueur 12 pouces

Spécifications



Contenu

Sujet	Page
Introduction.....	2
Vue d'ensemble de la cloueuse à charpente sans fil Paslode.....	4
Instruction de sécurité.....	5
Batterie et système de recharge	8
Pile à combustible et valve de dosage	10
Préparation de la cloueuse à charpente Paslode pour fins d'utilisation.....	13
Opération de la cloueuse à charpente Paslode.....	14
Ancrages et applications	15
Réparations	16
Diagnostic de défaillance	18

Le chargeur de batterie rencontre toutes les normes de sécurité pour outils mécaniques



Paslode® Est une marque de commerce

Paslode
Une compagnie de Illinois Tool Works
155 Harlem Avenue
Glenview, IL 60025
www.paslode.com

Paslode® Les clouuses mécaniques sont fabriquées aux États-Unis

Paslode® est un membre de:



Cloueuse à charpente sans fil Paslode Manuel de l'opérateur

Ce manuel a pour objet de vous familiariser avec la cloueuse à charpente sans fil Paslode®. À la différence des autres outils de fixation à commande mécanique, la cloueuse à charpente sans fil est équipée d'un moteur à combustion interne linéaire. En des termes plus simples, votre cloueuse à charpente sans fil est munie d'un moteur similaire à celui qui équipe une automobile. La cloueuse à charpente sans fil enfleamme un mélange d'air et de combustible pour produire l'énergie qui actionne le moteur, qui lui, projette l'attache de fixation. Comme vous pourrez le constater, la cloueuse à charpente sans fil est complètement autonome. Elle transporte son propre combustible et battérie en plus des attaches de fixation.

Afin de faciliter son utilisation, ce manuel est divisé en sections (voir table des matières). Chaque section du manuel est écrite avec vous, l'utilisateur de l'outil, en tête. Nous avons évité les termes techniques afin de simplifier les choses et de vous faire découvrir comment tire le maximum de performance de votre cloueuse à charpentes sas fil, et ce, sans endommager l'outil ou risquer de vous causer des blessures. Mais, afin d'accomplir ceci, nous vous demandons de faire deux choses:

1. LIRE LE MANUEL AU COMPLET DU DÉBUT À LA FIN AVANT D'UTILISER L'OUTIL.

2. SUIVEZ TOUTES LES INSTRUCTIONS DANS LE MANUEL.

Vous devez manipuler votre cloueuse à charpentes sans fil avec les mêmes précautions que les autres outils mécaniques que vous utilisez. Comme tous les outils, lorsque utilisée incorrectement, des blessures peuvent en résulter. Si vous accordez à d'autres l'option d'utiliser la cloueuse à charpentes sans fil, il est de votre responsabilité qu'ils prennent connaissance de et se conforment aux instructions contenues dans ce manuel avant d'opérer l'outil.

Si vous avez des question se rapportant à la cloueuse à charpente sans fil, ou si vous désirez obtenir des copies additionnelles de ce manuel, veuillez contacter votre représentant Paslode®. L'espace qui suit est afin que vous preniez note des coordonnées de votre représentant.

Mon représentant Paslode est:

Nom _____

Adresse _____

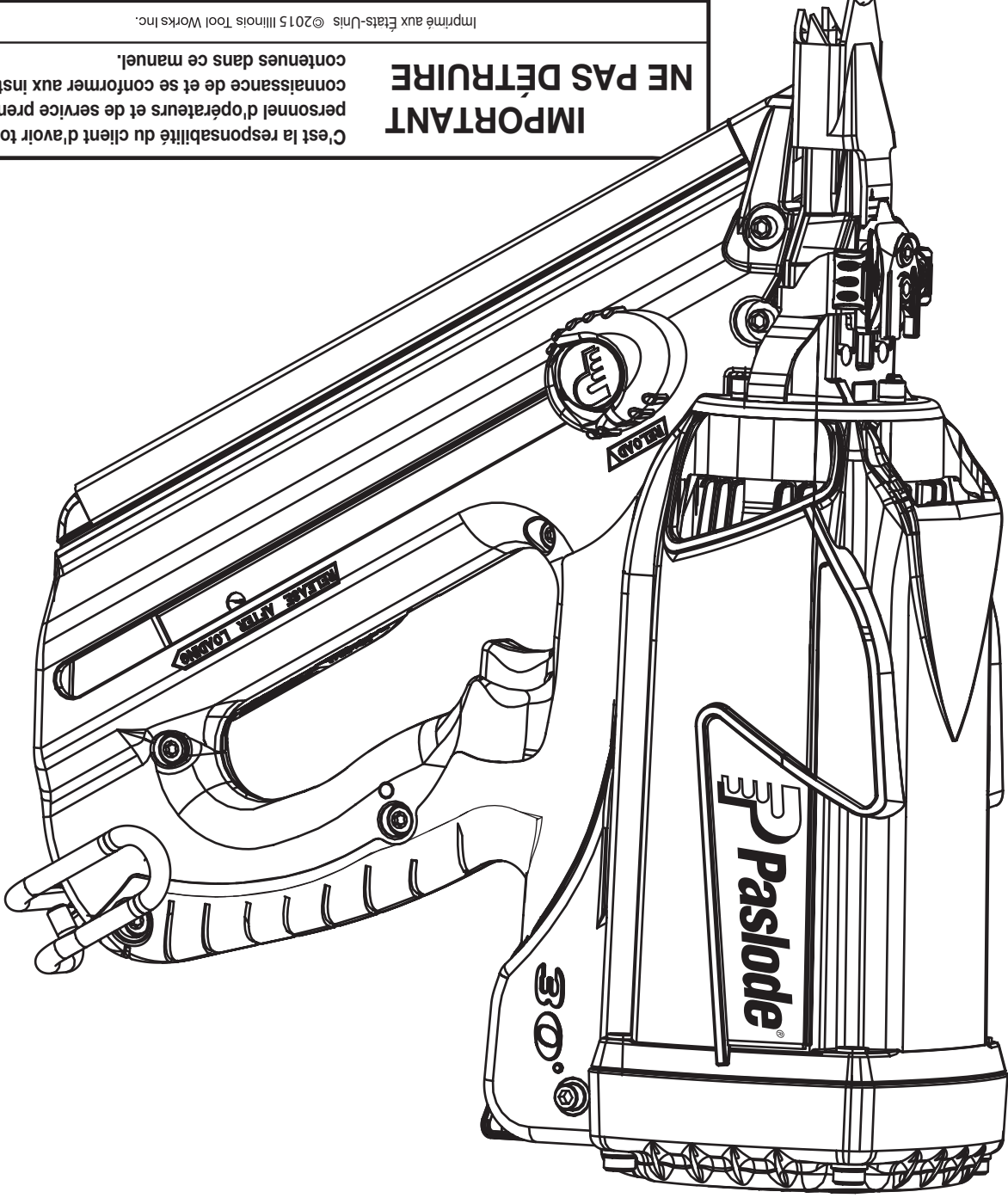
Ville _____ Province _____ Code postal _____

Numéro de téléphone _____

Clouuse à charpente sans fil Paslode - Manuel de l'opérateur



Modèle CF325XP
No de pièce 905600
Modèle B20543P
No de pièce 905700
Modèle CF325IM
No de pièce 905800



IMPORTANT
NE PAS DÉTRUIRE

C'est la responsabilité du client d'avoir tout son personnel d'opérateurs et de service prendre connaissance de et se conformer aux instructions contenues dans ce manuel.

Imprimé aux États-Unis © 2015 Illinois Tool Works Inc.