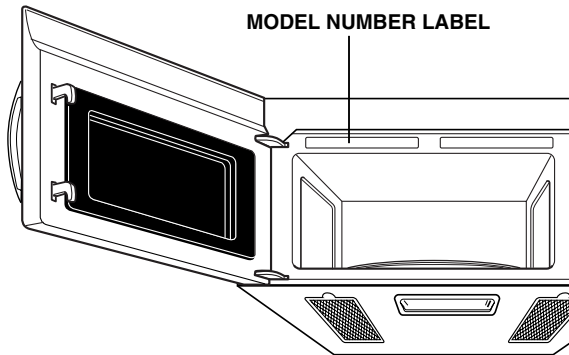


INFORMATION

Please read this owner's manual. It will tell you how to use all the fine features of this microwave oven.

LOCATION OF MODEL NUMBER

To request service information or replacement parts, the service center will require the complete model number of your microwave oven. The model number is on the oven front as shown in the illustration below.



OVEN SPECIFICATIONS

| | | |
|--------------------------------|------------|---|
| Power Supply | | 120V AC, 60 Hz |
| Rated Power | Microwave | 1600W |
| | Convection | 1700W |
| Consumption | Microwave | 950W |
| | Convection | 1500W |
| Rated Current | Microwave | 13.5A |
| | Convection | 14.0A |
| Overall Dimensions(WxHxD) | | 29 ¹⁵ / ₁₆ " x 16 ⁷ / ₁₆ " x 15 ³ / ₈ " |
| Oven Cavity Dimensions (WxHxD) | | 21 ¹ / ₄ " x 9 ⁷ / ₁₆ " x 14 ³ / ₁₆ " |
| Capacity of Oven Cavity | | 1.7 cu.ft |

ELECTRICAL REQUIREMENTS

The oven is designed to operate on a Standard 120V/60Hz household outlet. Be sure the circuit is at least 15A or 20A and the microwave oven is the **only appliance on the circuit**. It is not designed for 50Hz or any circuit other than a 120 V/60 Hz circuit.

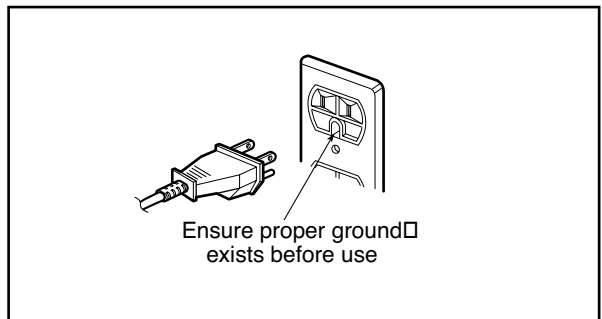
GROUNDING INSTRUCTIONS

The microwave oven must be grounded. In the event of an electrical short circuit, grounding reduces the risk of electric shock by providing an escape wire for the electric current. The microwave oven is equipped with a cord having a grounding wire with a grounding plug. The plug must be plugged into an outlet that is properly installed and grounded.

⚠ WARNING - Improper grounding can result in a risk of electric shock.

Consult a qualified electrician if you do not understand the grounding instructions or if you wonder whether the appliance is properly grounded.

Because this appliance fits under the cabinet, it has a short power-supply cord. See the separate Installation Instructions for directions on placing the cord properly.



Keep the electrical power cord dry and do not pinch or crush it in any way.