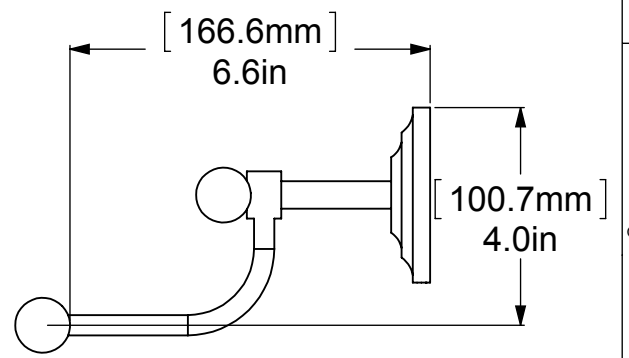
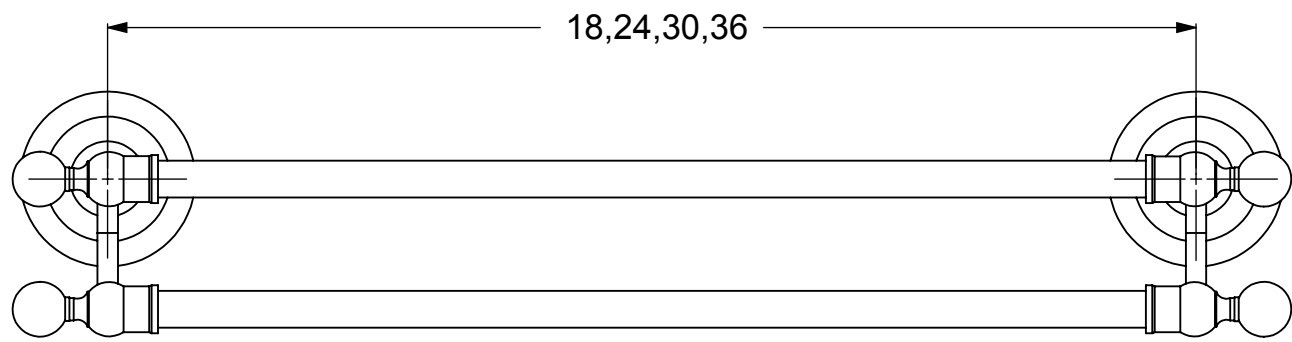
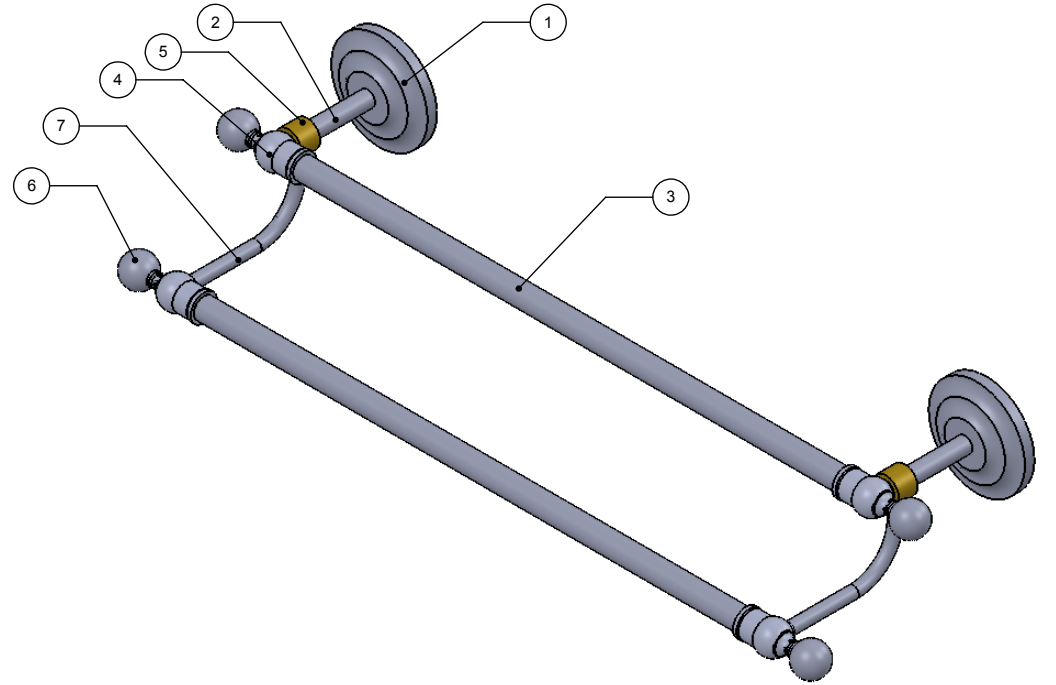


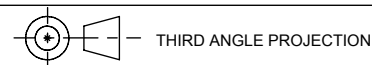
ITEM NO.	P/N	Description	QTY.
1	BPQN	BACKPLATE	2
2	TU12-2	POST	2
3	TU12-18,24,30,36	TUBE	2
4	BKSY-1	TUBE CAP	4
5	HBBTT-78	HUB	2
6	BL1T-1	END BALL	4
7	HKTT	TUBE	2




UNLESS OTHERWISE STATED

.X	±.3mm
.XX	±.15mm
.XXX	±.008mm

COPYRIGHT © Allied Brass 2016



DRAWN	7/21/2016	I.M	MATERIAL:	BRASS	FINISH	TBD	
CHECKED	7/21/2016	P.D	DESCRIPTION:		QUANTITY	TBD	
APPROVED	7/21/2016	R.A	TOWEL BAR		DRAWING No.	REV	
					QN-72	0	
				SCALE	1:3.5	SHEET: 01	A4