



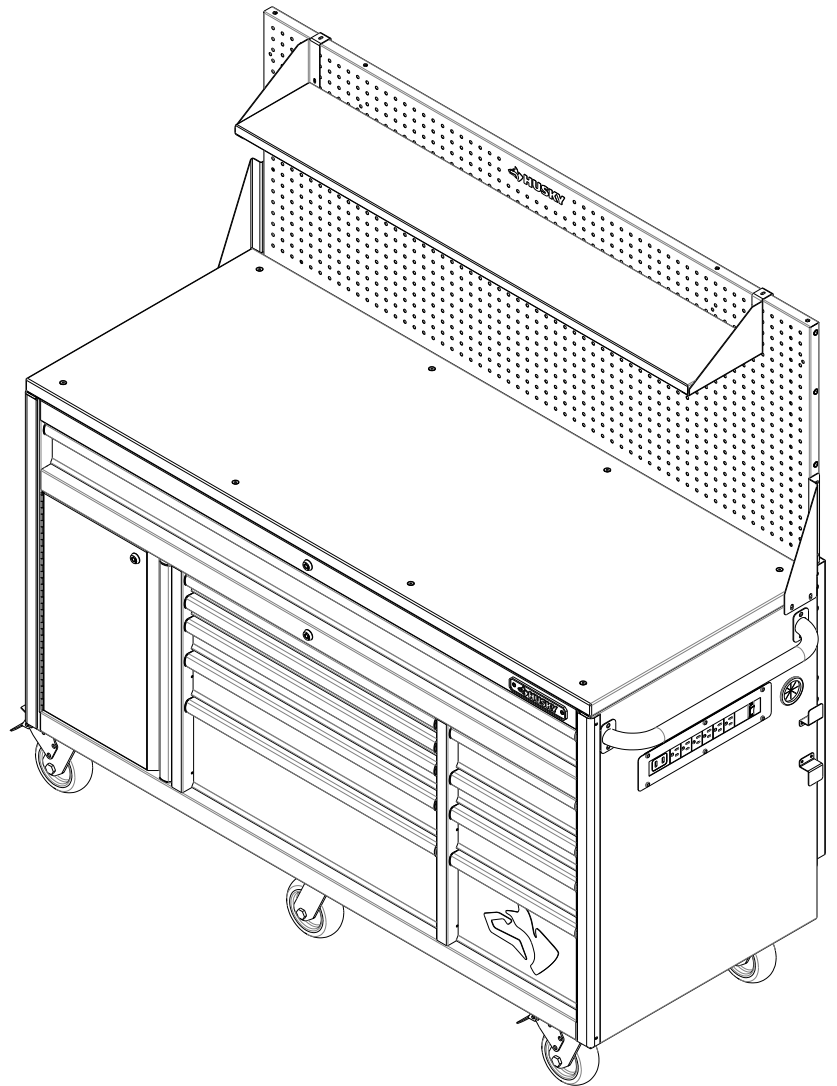
SKU # 1002 964 043
THD.com # 1002 926 586
Model # HOTC6110BB1M

USE AND CARE GUIDE

Husky HD 61 in. 10-Drawer 1-Door 24 in. D Mobile Workbench with Pegboard and Shelf, Textured Black Matte

Questions, problems, missing parts?
Before returning to the store, call
Husky Customer Service
8 a.m.- 7 p.m., EST, Monday-Friday
9 a.m.- 6 p.m., EST, Saturday
1-888-HD-HUSKY

HUSKYTOOLS.COM



THANK YOU

We appreciate the trust and confidence you have placed in Husky through the purchase of this mobile workbench. We strive to continually create quality products designed to enhance your home. Visit us online to see our full line of products available for your home improvement needs. Thank you for choosing Husky!

Table of Contents

Table of Contents	2
Safety Information.....	2-3
Warranty	3
Pre-Assembly.....	4
Tools Required	4
Hardware Included	4
Specifications	4
Package Contents	5

Assembly	6
Operation	7
Maintenance	8
Care and Cleaning	8
Service Parts	9

Safety Information

1. Do not open more than one drawer at a time.
2. Do not let children approach the product.
3. To help prevent the product from tipping, load the product starting with the bottom drawers.
4. Keep the locking casters brake set unless you are moving the cabinet. This will help to prevent the product from rolling.
5. Lock all drawers before moving the product.
6. Make sure all drawers close tightly before locking/unlocking.
7. Do not step in any drawer/drawers.
8. When moving this product, push it rather than pull it.
9. Do not alter this product in any manner.

Plug and Outlet Safety



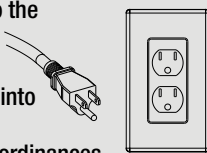
WARNING: This product is for use on a nominal 120-volt circuit and has a grounding plug. Chest/cabinet plugs must match the outlet. Never modify the plug in any way. Do not use any adapter plugs with earth (grounded) chest/cabinet power strips. Unmodified plugs and matching outlets will reduce risk of electric shock.



WARNING: Avoid body contact with earthed or grounded surfaces such as pipes, radiators, ranges and refrigerators. There is increased risk of electric shock if your body is earthed or grounded.



WARNING: Chests/cabinets marked "Grounding Required" have a power strip with a three wire cord and three prong grounding plug. The plug must be connected to a properly grounded outlet (See Figure). If the power strip should electrically malfunction or break down, grounding provides a low resistance path to carry electricity away from the user, reducing the risk of electric shock. The grounding prong in the plug is connected through the green wire inside the cord to the grounding system in the power strip. The green wire in the cord must be the only wire connected to the power strip's grounding system and must never be attached to an electrically "live" terminal. Your power strip must be plugged into an appropriate outlet, properly installed and grounded in accordance with all codes and ordinances.



DANGER: Do not stand on this product. You may fall or cause the product to tip.



DANGER: Do not move the product prior to closing and locking all the drawers. The drawers could come open and make the product unstable and tip.



DANGER: Do not mount this product on a truck bed or any other moving object.



WARNING: Keep the product on a level surface. The product may become unstable and tip if stored or moved on an uneven surface.



WARNING: Be careful when closing the cover. Remove hands before closing the cover.



WARNING: Do not unplug by pulling on cord. To unplug, grasp the plug, not the cord.



CAUTION: Do not lift this product directly with a forklift or tow with any mechanical devices.



CAUTION: Do not exceed the maximum product weight, including contents. Do not exceed the maximum weight for each drawer. See Specifications on page 4.



CAUTION: Only transport this product when empty. Properly secure when transporting.



WARNING: Unplug from outlet when not in use, and before putting on or taking off parts.



WARNING: Keep the cord away from heated surfaces.



CAUTION: Remove hands and objects when lowering the pegboard to avoid pinching or crushing.

Safety Information (continued)



CAUTION: Clear all obstructions on pegboard areas before lowering the pegboard to avoid damage to your items or this product.



WARNING: Do not use outdoors.



WARNING: The chest-cabinet is intended for household use.



WARNING: For loading always put heavier items at the bottom and not near the top in order to help prevent the possibility of the chest-cabinet tipping over.



DANGER: To reduce the risk of electric shock, always unplug this chest-cabinet from the electrical outlet before cleaning.

This device complies with Part 15 of the FCC Rules. Operation is subject to the following two conditions: (1) This device may not cause harmful interference, and (2) This device must accept any interference received, including interference that may cause undesired operation.



NOTE: This equipment has been tested and found to comply with the limits for a Class B digital device, pursuant to Part 15 of the FCC Rules. These limits are designed to provide reasonable protection against harmful interference in a residential installation. This equipment generates, uses and can radiate radio frequency energy and, if not installed and used in accordance with the instructions, may cause harmful interference to radio communications. However, there is no guarantee that interference will not occur in a particular installation. If this equipment does cause harmful interference to radio or television reception, which can be determined by turning the equipment off and on, the user is encouraged to try to correct the interference by one or more of the following measures:

- Reorient or relocate the receiving antenna.
- Increase the separation between the equipment and receiver.
- Connect the equipment into an outlet on a circuit different from that to which the receiver is connected.
- Consult the dealer or an experienced radio/TV technician for help.



WARNING: Changes or modifications to this unit not expressly approved by the party responsible for compliance could void the user's authority to operate the equipment.

The Responsible party information:

Clearwater Metal Vn JSC
Lot CN2, Mai Trung IZ, An Tay Village, Ben Cat Town, Binh Duong Province, Vietnam. Tel: +84.274.3581.773

Product name: Power strip 6 outlets with 2 USB ports
Model# K2415009

Warranty

The manufacturer warrants the product to be free from defects in materials and workmanship for a period of five (5) years from date of purchase. This warranty applies only to the original consumer and only to products used in normal use and service. If this product is found to be defective, the manufacturer's only obligation, and your exclusive remedy, is the repair or replacement of the product at the manufacturer's discretion, provided that the product has not been damaged through misuse, abuse, accident, modifications, alteration neglect or mishandling. This warranty shall not apply to any product that is found to have been improperly installed, set-up, or used in any way not in accordance with the instructions supplied with the product. This warranty shall not apply to a failure of the product as a result of an accident, misuse, abuse, negligence, alteration, faulty installation, or any other failure not relating to faulty material or workmanship. This warranty shall not apply to the finish on any portion of the products such as surface and/or weathering, as this is considered normal wear and tear.

The manufacturer does not warrant and specifically disclaims any warranty, whether express or implied, of fitness for a particular purpose, other than the warranty contained herein. The manufacturer specifically disclaims any liability and shall not be liable for any consequential or incidental loss or damage, including but not limited to any labor/expense costs involved in the replacement or repair of said product.

Contact the Customer Service Team at 1-888-HD-HUSKY or visit www.huskytools.com.

Pre-assembly

TOOLS REQUIRED



Safety goggles

HARDWARE INCLUDED



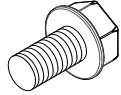
NOTE: Hardware not shown to actual size.



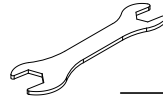
AA



BB



CC



DD

Part	Description	Quantity
AA	Bolt M4x10L	8
BB	Bolt M6 x 15L	12
CC	Bolt M8 x 15L	24
DD	10 mm/13 mm wrench	1

SPECIFICATIONS

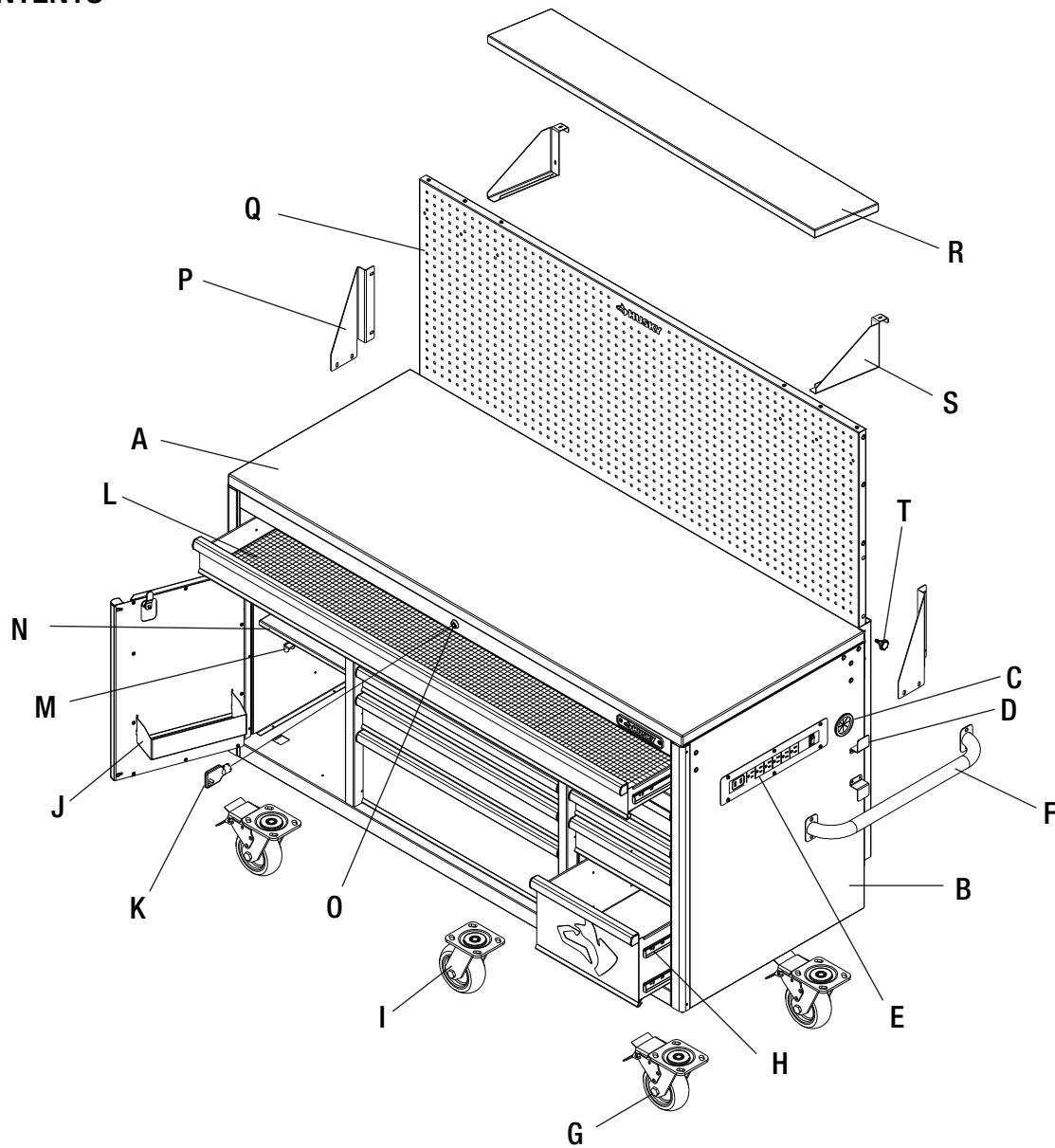
Maximum capacity (per drawer)	100 lbs
Maximum capacity (total unit)	2,200 lbs
Empty weight	451.2 lbs
Maximum pegboard capacity	200 lbs
Maximum shelf on pegboard capacity	40 lbs



NOTE: Begin product assembly close to the final intended location of your mobile workbench. This product is heavy and may be difficult to move after assembly.

Pre-assembly (continued)

PACKAGE CONTENTS



Part	Description	Quantity
A	Wood top	1
B	Tool cabinet	1
C	Grommet	1
D	Cord bracket (set)	1
E	Power strip	1
F	Side handle	1
G	Swivel caster w/brakes	4
H	Drawer slide 100 lbs (pair)	12
I	Swivel caster	2
J	Bottle shelf	1

Part	Description	Quantity
K	Key (set)	3
L	Drawer liner	10
M	Cabinet shelf clip	4
N	Cabinet shelf	1
O	Lock	3
P	Pegboard bracket (set)	1
Q	Pegboard	1
R	Pegboard shelf	1
S	Pegboard shelf bracket (set)	1
T	Locking thumb screw	2

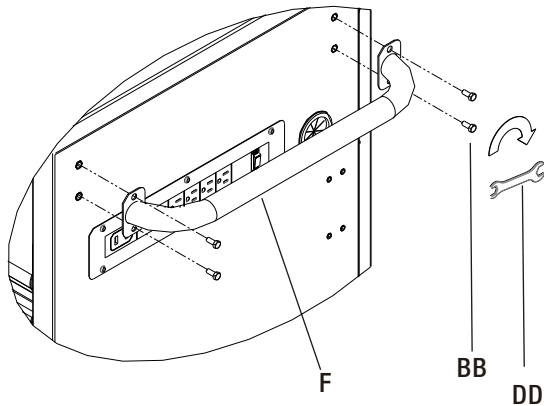
Assembly

1 Attaching the side handle

- Attach the side handle (F) to the cabinet using four bolts (BB).
 - Tighten all bolts with the 10 mm wrench (DD).
- Do not over tighten the bolts to avoid damage to the finish.



NOTE: The holes in the cabinet are tapped and do not require nuts.



2 Installing the casters



WARNING: Two or more people may be required for this step due to the weight of the workbench.

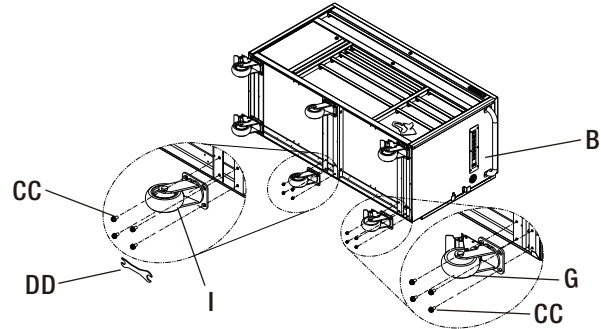


CAUTION: Do not over tighten the screws.



NOTE: The holes for casters are tapped and do not require nuts.

- Ensure all cabinet drawers are securely locked into place using the key (K) and lock (O) on the rolling cabinet (B).
- Lay the rolling cabinet (B) on its back on top of the packaging material to protect the finish.
- Mount the four swivel casters with brake (G) to the rolling cabinet (B) using four bolts (CC) per caster. The swivel casters with brake (G) should be installed on each end at the cabinet.
- Mount the two swivel casters (I) to the center of the rolling cabinet (B) using four bolts (CC) per caster.
- Tighten all bolts with a 13 mm wrench (DD).
- Return the rolling cabinet (B) to its upright position.

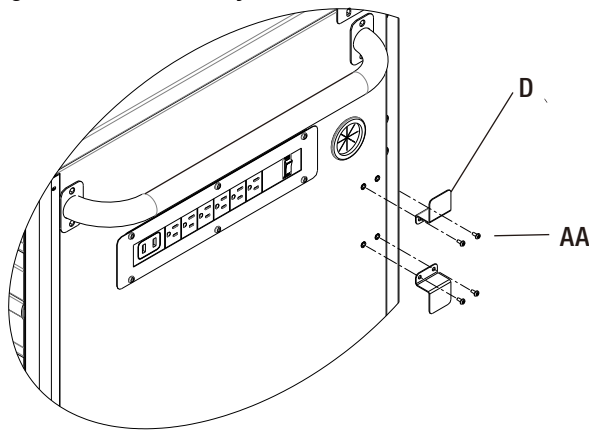


3 Installing the cord brackets



NOTE: The holes in the cabinet are tapped and do not require nuts.

- Attach the cord bracket (D) to the cabinet using two bolts (AA) per bracket.
- Tighten all bolts securely.

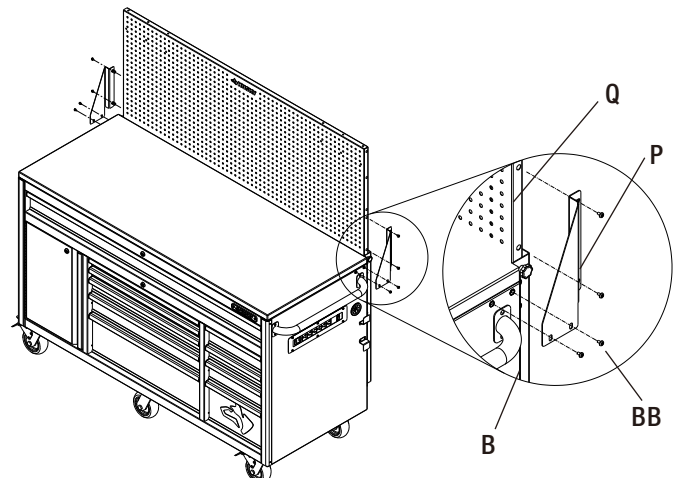


4 Installing the pegboard brackets



NOTE: The holes in the cabinet are tapped and do not require nuts.

- Attach the pegboard bracket (P) to the cabinet (B) and pegboard (Q) using four bolts (BB) per bracket.
- Tighten all bolts securely.



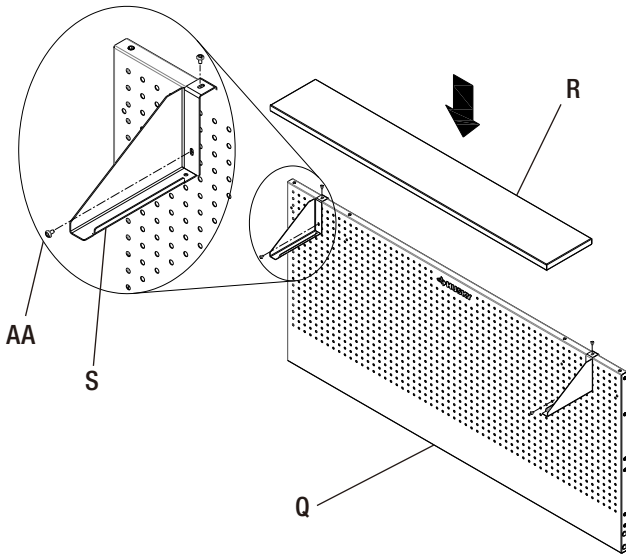
Assembly (continued)

5 Installing the pegboard shelf brackets



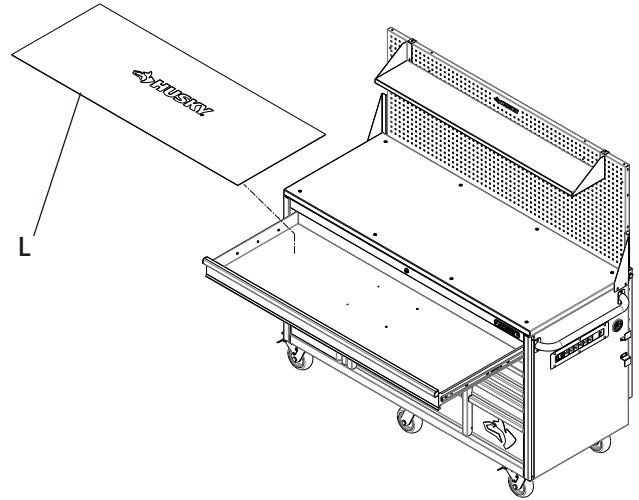
NOTE: The holes in the cabinet are tapped and do not require nuts.

- Attach the pegboard shelf bracket (S) to the pegboard (Q) using two bolts (AA) per bracket.
- Tighten all bolts securely.
- Place the shelf (R) on the bracket safety.



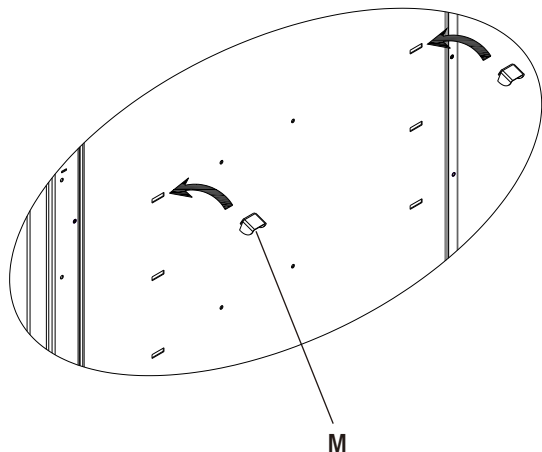
6 Installing the drawer liners

- Place the drawer liners (L) in appropriately-sized drawers to protect the surface.



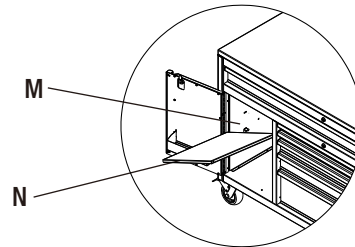
7 Installing the shelf brackets

- Install the four shelf brackets (M) inside the storage area at the desired shelf height location.
- Ensure all shelf brackets are aligned horizontally and are properly seated in the bracket slots.

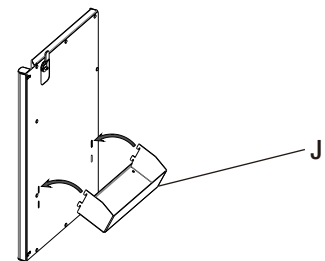


8 Installing the shelf

- Install the shelf (N) inside the storage area so that it sits on top of the four shelf brackets (M) flush and level.



- Install the bottle shelf (J) in the slots on the inside of door.



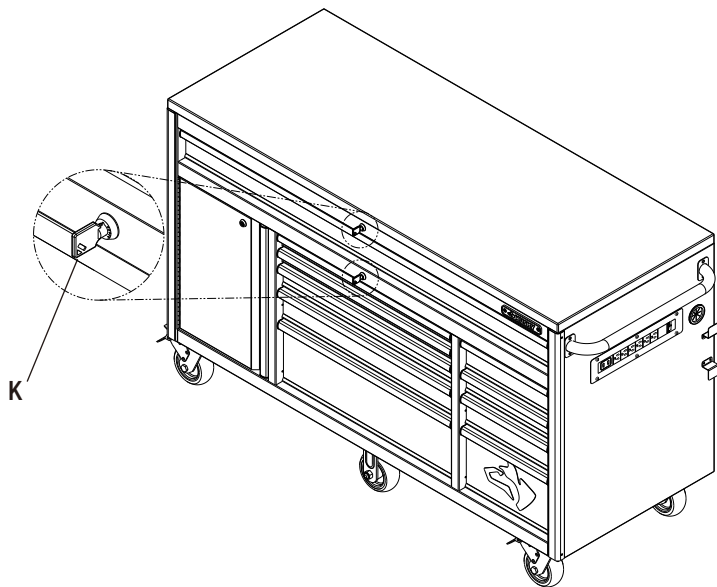
Operation

1 Locking and unlocking the unit



IMPORTANT : The drawers must be fully closed before locking / unlocking the unit.

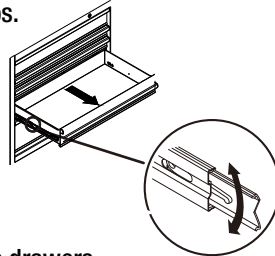
- To lock the unit, insert the key (K) into the lock (O) and turn it one quarter turn counterclockwise. Then remove the key.
- To unlock the unit, insert the key (K) into the lock (O) and turn it one quarter turn clockwise. Then remove the key.



2 Removing/installing the drawers

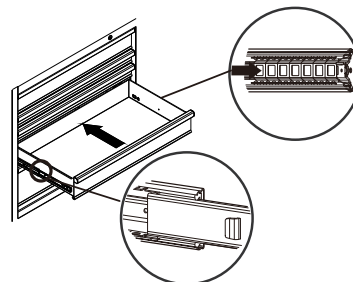
Removing the drawers -

- Fully extend and empty the drawer.
- On the slide, lift up the plastic release lever on one slide and push down the plastic release lever on the other slide. Gently pull the drawer out so the slides can ride over the stops.



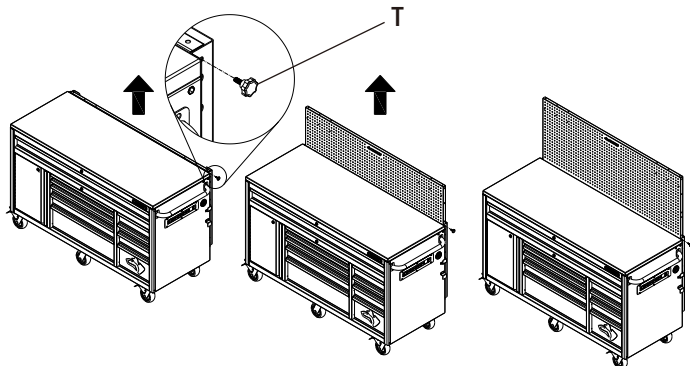
Installing the drawers -

- Pull the slides and slide carrier out until fully extended.
- Hold the slide on the cabinet while aligning it with the slide on the drawer.
- Slightly insert one side and repeat for the other side.
- Slowly push the drawer until it is fully closed to engage the slide.
- Open the drawer and close it to verify proper operation.



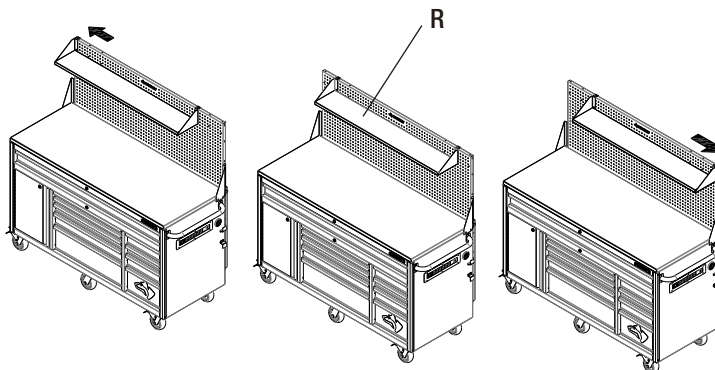
3 Positioning the pegboard

- The pegboard is shipped and secured in its stored location.
- To raise the pegboard to a usable height, remove the locking thumb screws (T) at the top of the pegboard slides.
- The pegboard can be raised to either mid or full height position by pulling straight up. When in mid or full height position, two pairs of ball detents will temporarily hold the pegboard in place.
- The locking thumb screw (T) holes and the tapped holes located in the frame of the pegboard will align.
- Reinstall the locking thumb screws (T) to secure the pegboard.



4 Positioning the pegboard shelf

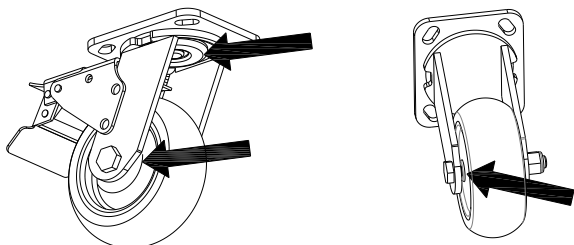
- The pegboard shelf (R) can be installed using the pre-drilled holes on either left side, center, or right side of the pegboard.



Maintenance

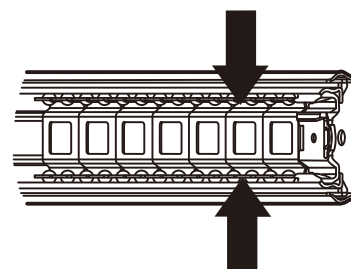
1 Maintaining the casters

- Grease the casters annually using high quality bearing grease.



2 Maintaining the drawers

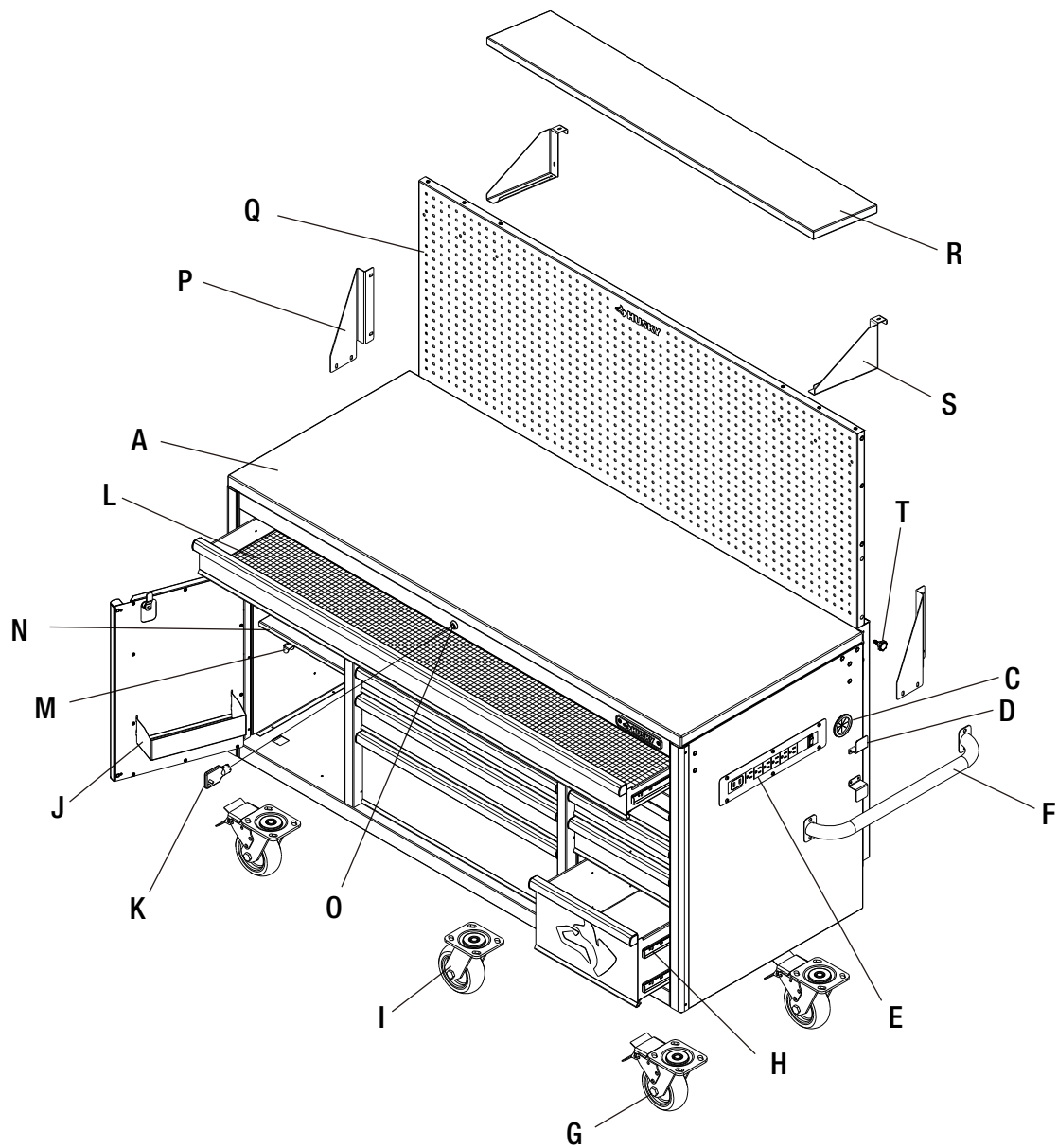
- Periodically clean the drawer trim and inside the drawers with a mild detergent and water.
- Remove grease and oil with a standard, nonflammable cleaning fluid.
- The use of drawer liners is recommended to protect the finish inside the drawers and make the drawers easier to clean. Drawer liners can be purchased at The Home Depot.
- Lubricate the slides semi-annually with grease or equivalent.



Care and Cleaning

- This steel product has been coated with industrial powder coating for a durable finish. To help protect this finish, do not allow harsh chemicals such as oil or grease to remain on the powder coating surface. Use a glass cleaner (Windex® or equivalent product) to clean and maintain all powder coated surfaces.
- The wood top is made of Parawood (also called Rubberwood) which has a polyurethane coating to help protect it from moisture. It can be cleaned with most household cleaners, such as Windex®.

Service Parts



Part	Description	Quantity
A	Wood top	1
C	Grommet	1
D	Cord bracket (set)	1
E	Power strip	1
F	Side handle	1
G	Swivel caster w/brakes	4
H	Drawer slide 100 lbs (pair)	12
I	Swivel caster	2
J	Bottle shelf	1
K	Key (set)	3

Part	Description	Quantity
L	Drawer liner	10
M	Cabinet shelf clip	4
N	Cabinet shelf	1
O	Lock	3
P	Pegboard bracket (set)	1
Q	Pegboard	1
R	Pegboard shelf	1
S	Pegboard shelf bracket (set)	1
T	Locking thumb screw	2



Questions, problems, missing parts? Before returning to the store, call
Husky Customer Service
8 a.m.-7 p.m., EST, Monday-Friday, 9 a.m. - 6 p.m. EST Saturday

1-888-HD-HUSKY

HUSKYTOOLS.COM

Retain this manual for future use.



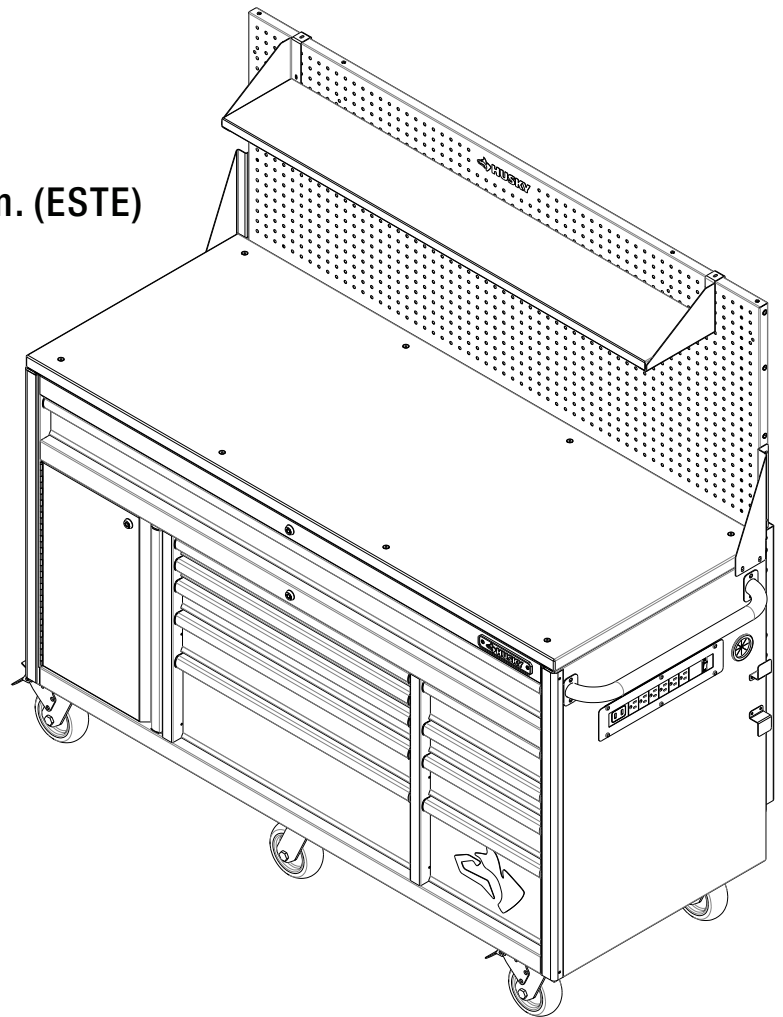
SKU núm. 1002 964 043
THD.com Núm. 1002 926 586
Modelo núm. HOTC6110BB1M

GUÍA DE USO Y MANTENIMIENTO

Banco de trabajo móvil Husky HD de 61 plg (1.55 m), con 10 cajones y 1 puerta de 24 plg (61 cm), tablero y repisa, en mate negro texturizado

¿Preguntas, problemas o piezas faltantes?
Antes de devolver a la tienda, llama al
servicio al cliente de Husky
de lunes a viernes, entre 8:00 a.m. y 7:00 p.m. (ESTE)
y los sábados entre 9:00 a.m. y
6:00 p.m. (ESTE), por el teléfono
1-888-HD-HUSKY

HUSKYTOOLS.COM



GRACIAS POR TU COMPRA

Apreciamos la confianza que has depositado en Husky al comprar este banco de trabajo móvil. Nos esforzamos continuamente en crear productos de calidad diseñados para mejorar tu hogar. Visítanos por Internet para ver nuestra línea completa de productos disponibles al efecto de satisfacer las necesidades de mejoras de tu hogar. ¡Gracias por elegir Husky!

Tabla de contenido

Tabla de contenido	2
Información de seguridad	2 - 3
Garantía	3
Preensamblaje	4
Herramientas necesarias	4
Herrajes incluidos.....	4
Especificaciones	4
Contenido del paquete	5

Ensamblaje	6
Funcionamiento.....	7
Mantenimiento	8
Mantenimiento y limpieza	8
Piezas de repuesto	9

Información de seguridad

1. No abras más de un cajón a la vez.
2. Mantén a los niños lejos del producto.
3. Para evitar que el producto se caiga, coloca los artículos comenzando por los cajones inferiores.
4. Mantén bloqueados los frenos de las ruedas excepto si vas a mover el gabinete. Esto ayudará a evitar que el producto ruede.
5. Cierra con seguro todos los cajones antes de mover el producto.
6. Asegúrate de que todos los cajones cierren bien antes de cerrar/abrir.
7. No te pares sobre ningún cajón o cajones.
8. Cuando vayas a mover este producto, empújalo en lugar de halarlo.
9. No modifiques este producto de ninguna manera.

Seguridad con enchufes y tomacorrientes



ADVERTENCIA: Este producto es para usar en circuitos nominales de 120 V y tiene un enchufe con conexión a tierra. Los enchufes de la caja para herramientas/gabinete tienen que coincidir con el tomacorriente. No intentes modificar el enchufe de ninguna forma. No usar ningún enchufe adaptador con barras multicontacto de cajas para herramientas/gabinetes que tengan conexión a tierra. Enchufes sin modificaciones y tomacorrientes adecuados reducen el riesgo de descarga eléctrica.



ADVERTENCIA: Evita el contacto físico con las superficies conectadas a tierra como tuberías, radiadores, estufas y refrigeradores. Existe mayor riesgo de descarga eléctrica si tu cuerpo hace tierra.



PELIGRO: No te pares sobre este producto. Puedes caerte o provocar que el producto se vuelque.



PELIGRO: No muevas el producto antes de cerrar y asegurar todos los cajones. Los cajones pueden abrirse y provocar que el producto quede inestable y se vuelque.



PELIGRO: Para reducir el riesgo de descargas eléctricas, siempre desenchufa este aparato del tomacorriente antes de limpiar.



ADVERTENCIA: Mantén el producto sobre una superficie nivelada. El producto puede volverse inestable y volcarse si se almacena o mueve sobre una superficie desnivelada.



ADVERTENCIA: Ten cuidado al cerrar la cubierta. Retira las manos antes de cerrar la cubierta.



ADVERTENCIA: No tires del cable para desconectar. Para desconectar, agarra el enchufe, no el cable.



PRECAUCIÓN: No levantes este producto directamente con un montacargas o lo remolques con ningún dispositivo mecánico.



PRECAUCIÓN: No sobrepases el peso máximo permitido para el producto, incluyendo el contenido. No sobrepases el peso máximo para cada cajón. Consulta las especificaciones en la página 4.



PRECAUCIÓN: Transporta este producto sólo cuando esté vacío. Asegúralo debidamente cuando vayas a transportarlo.



ADVERTENCIA: Desenchufa del tomacorriente cuando no estén en uso y antes de poner o sacar piezas.



ADVERTENCIA: Mantener el cable lejos de superficies calientes.



ADVERTENCIA: No usar en exteriores.



ADVERTENCIA: El artefacto está diseñado para uso doméstico.



PELIGRO: No montes este producto en la cama de un camión o sobre cualquier otro objeto en movimiento.

Información de seguridad(continuación)

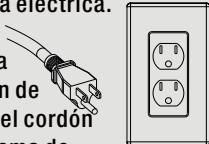
Seguridad con enchufes y tomacorrientes



ADVERTENCIA: Al colocar objetos, pon los más pesados en la parte inferior y alejados de la parte superior para evitar que el artefacto se vuelque.



ADVERTENCIA: Las cajas para herramientas/gabinets etiquetadas con "Grounding Required" (requiere conexión a tierra) tienen una barra multicontacto con un cordón de tres cables y un enchufe de conexión a tierra de tres espigas. El enchufe debe conectarse adecuadamente a un tomacorrientes con conexión a tierra (ver figura). Si la barra multicontacto tiene un problema eléctrico o se daña, la conexión a tierra proporciona un camino de baja resistencia para alejar la electricidad del usuario, reduciendo el riesgo de descarga eléctrica. La espiga de conexión a tierra está conectada al sistema de conexión a tierra a través del cable verde dentro del cordón de la barra multicontacto. El cable verde en el cordón debe ser el único cable conectado al sistema de conexión a tierra de la barra multicontacto y nunca debe conectarse a un terminal con corriente eléctrica con carga. Tu barra multicontacto debe ser conectada en un tomacorriente apropiado, que esté {MQ}debidamente instalado y conectado a tierra de acuerdo con las leyes y regulaciones.



PRECAUCIÓN: Quita las manos y objetos al bajar el tablero para evitar pellizcos o aplastamiento.



PRECAUCIÓN: Elimina todas las obstrucciones en las áreas de la bandeja antes de bajar el tablero, para evitar dañar tus artículos o este producto.

Este dispositivo cumple con la Parte 15 de las Regulaciones de la FCC. Su operación está sujeta a las dos condiciones siguientes: (1) Este dispositivo no debe causar interferencia dañina, y (2) tiene que aceptar cualquier interferencia recibida, incluyendo aquella que pudiera afectar su funcionamiento.



NOTA: Este equipo fue sometido a prueba y se determinó que cumple con los límites establecidos para un dispositivo digital Clase B según la Parte 15 de las Normas FCC. Estos límites fueron establecidos para dar protección razonable contra la interferencia dañina en uso residencial. Este equipo genera, consume y puede irradiar energía de radiofrecuencia; si no se instala y usa de acuerdo con las instrucciones, puede causar interferencia dañina a comunicaciones radiales. Sin embargo, no hay garantía de que no ocurrirá interferencia en una instalación particular. Si este equipo causa interferencia perjudicial a la recepción de radio o televisión, que puede determinarse encendiendo y apagando el equipo, se recomienda al usuario tratar de corregir la interferencia con una o más de las siguientes medidas:

- Reorientar o reubicar la antena receptora.
- Incrementar la distancia entre los equipos y el receptor.
- Conectar el equipo a un tomacorriente en un circuito distinto al que el receptor está conectado.
- Consultar al distribuidor o algún técnico de radio/TV con experiencia.



ADVERTENCIA: Los cambios o modificaciones a esta unidad sin aprobación expresa de la parte responsable del cumplimiento de las normas aplicables podrían anular el derecho del usuario a operar el equipo.

La información de la parte responsable:
Clearwater Metal Vn JSC
Lot CN2, Mai Trung IZ, An Tay Village, Ben Cat Town, Binh Duong Province, Vietnam. Tel: +84.274.3581.773
Nombre del producto: Barra multicontacto con 6 tomacorrientes y 2 puertos USB
Modelo # K2415009

Garantía

El fabricante garantiza que este producto no presentará defectos materiales ni de fabricación durante cinco (5) años a partir de la fecha original de compra. Esta garantía es válida solo para el consumidor original y cubre solo productos en uso y servicio normales. Si se detecta algún defecto en este producto, la única obligación y solución exclusiva del fabricante, a su entera discreción, será reparar o reponer el producto, siempre y cuando el producto no haya sido dañado por mal uso, abuso, accidente, modificaciones, alteraciones, negligencia o manejo indebido. Esta garantía no cubre ningún producto instalado, configurado o usado sin seguir las instrucciones adjuntas. Esta garantía no cubre fallas del producto como consecuencia de un accidente, mal uso, abuso, negligencia, modificaciones o instalaciones defectuosas, ni cualquier otra falla no relacionada con defectos materiales o de fabricación. Esta garantía no se aplica al acabado de ninguna parte del producto, como la superficie, ni al deterioro por condiciones ambientales, ya que se considera desgaste normal.

El fabricante no garantiza y rechaza específicamente cualquier garantía, explícita o implícita, de la idoneidad del producto para un propósito en particular, que no sea la garantía establecida por este medio. El fabricante rechaza específicamente cualquier obligación y no será responsable por ningún daño o pérdida, directos o indirectos, incluyendo, pero sin limitarse a, cualquier costo de mano de obra/gastos relacionados con la reposición o reparación de dicho producto.

Comuníquese con el equipo de servicio al cliente por el 1-888-HD-HUSKY o visite www.huskytools.com.

Pre ensamblaje

HERRAMIENTAS NECESARIAS



Gafas de seguridad

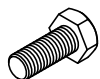
HERRAJES INCLUIDOS



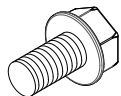
NOTA: Los herrajes no se muestran en tamaño real



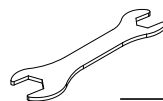
AA



BB



CC



DD

Pieza	Descripción	Cantidad
AA	Perno M4x10L	8
BB	Perno M6 x 15L	12
CC	Perno M8 x15L	24
DD	Llave de 10 mm/13 mm	1

SPECIFICATIONS

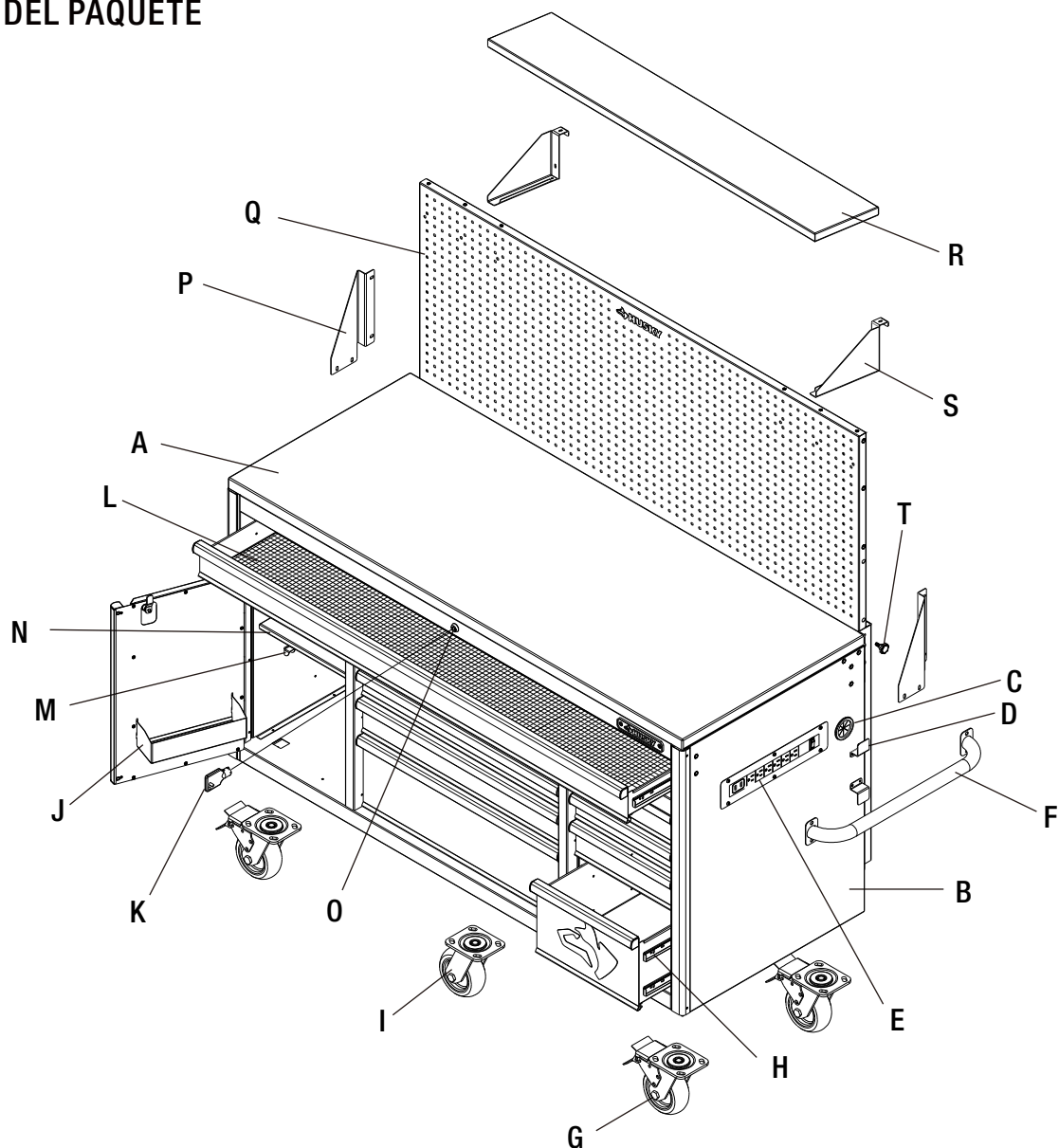
Capacidad máxima (por cajón)	45.4 kg
Capacidad máxima (unidad completa)	998 kg
Peso cuando está vacío	204.66 kg
Capacidad máxima del tablero	90.72 kg
Capacidad máxima de la repisa sobre el tablero	18.14 kg



NOTA: Comienza el ensamblaje del producto cerca de la ubicación final deseada para tu banco de trabajo móvil. Este producto es pesado y puede ser difícil de mover después del ensamblaje.

Pre ensamblaje (continuación)

CONTENIDO DEL PAQUETE



Pieza	Descripción	Cantidad
A	Cubierta de madera	1
B	Gabinete para herramientas	1
C	Remache	1
D	Soporte de cable (juego)	1
E	Barra multicontacto	1
F	Asa lateral	1
G	Rueda giratoria con frenos	4
H	Corredera del cajón con clasificación para 45.36 kg (el par)	12
I	Rueda giratoria	2
J	Repisa para botellas	1

Pieza	Descripción	Cantidad
K	Llave (juego)	3
L	Revestimiento de cajones	10
M	Presilla para repisa del gabinete	4
N	Repisa del gabinete	1
O	Encajar	3
P	Soporte de tablero (juego)	1
Q	Tablero perforado	1
R	Repisa de tablero	1
S	Soporte de repisa de tablero (juego)	1
T	Tornillo mariposa para bloqueo	2

Ensamblaje

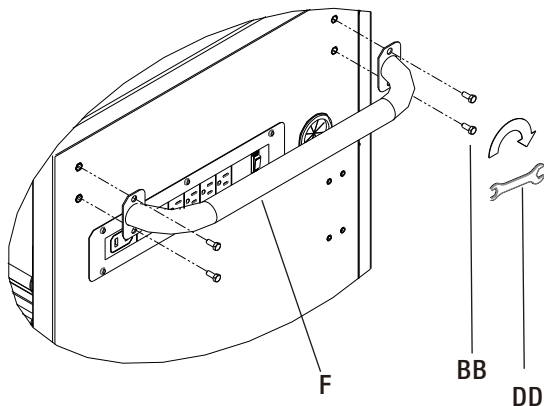
1 Cómo colocar el asa lateral

- Fija la manija lateral (F) al gabinete usando cuatro pernos (BB).
- Aprieta todos los pernos con la llave de 10 mm (DD).

No aprietes demasiado los pernos para evitar daños al acabado.



NOTA: Los orificios en el gabinete están roscados y no necesitan tuercas.



2 Cómo instalar las ruedas



ADVERTENCIA: Podrían necesitarse dos o más personas para este paso debido al peso del banco de trabajo.

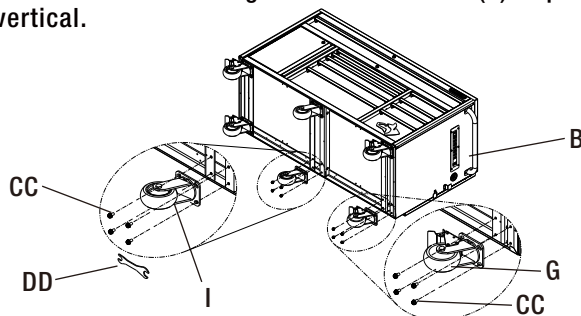


PRECAUCIÓN: No aprietes demasiado los tornillos.



NOTA: Los orificios en el gabinete están roscados y no necesitan tuercas.

- Garantiza que todos los cajones del gabinete estén bien ajustados en su lugar, usando la llave (K) y bloqueo (O) del gabinete con ruedas (B).
- Coloca el gabinete con ruedas (B) con su parte posterior sobre el material de empaque para proteger el acabado.
- Instala las 2 ruedas giratorias con freno (G) en el gabinete con ruedas (B) usando cuatro pernos (CC) por rueda. Las ruedas giratorias con freno (G) deben instalarse en cada extremo del gabinete.
- Monta las dos ruedas giratorias (I) en el centro del gabinete con ruedas (B) usando cuatro pernos (CC) por rueda.
- Aprieta todos los pernos con una llave de 13 mm (DD).
- Coloca nuevamente el gabinete con ruedas (E) en posición vertical.

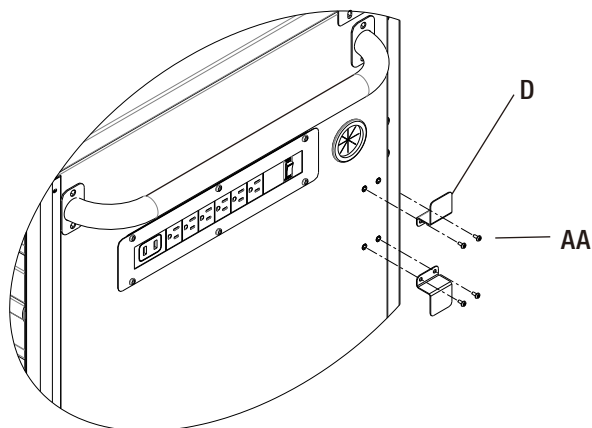


3 Cómo instalar los soportes de cable



NOTA: Los orificios en el gabinete están roscados y no necesitan tuercas.

- Fija el soporte de cable (D) al gabinete usando dos pernos (AA) por soporte.
- Aprieta bien todos los pernos.

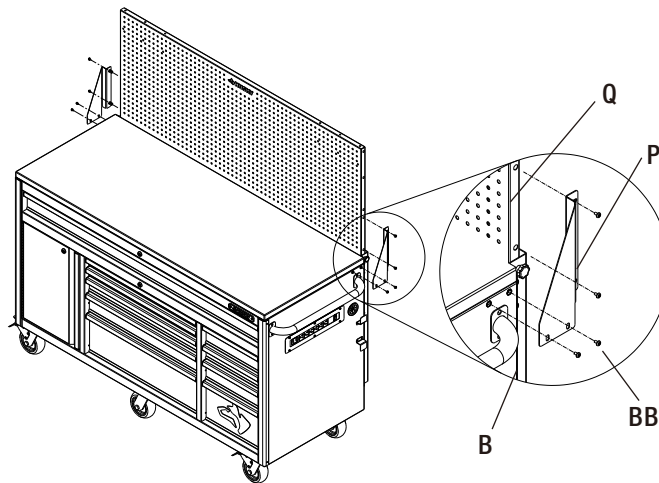


4 Cómo instalar los soportes de tablero



NOTA: Los orificios en el gabinete están roscados y no necesitan tuercas.

- Fija el soporte del tablero (P) al gabinete (B) y al tablero (Q) usando cuatro pernos (BB) por soporte.
- Aprieta bien todos los pernos.



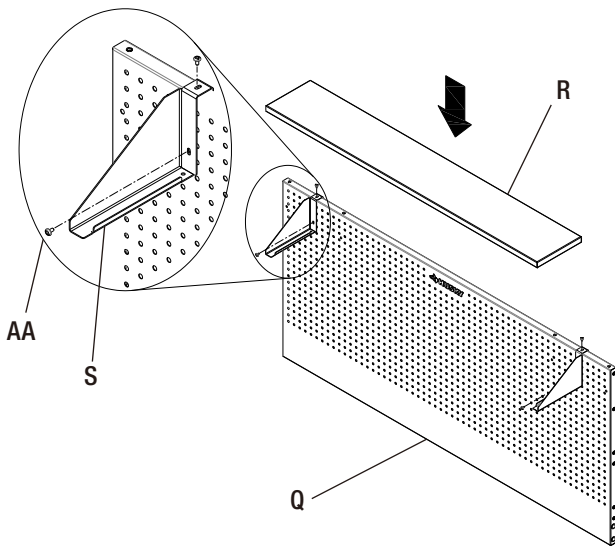
Ensamblaje (continuación)

5 Cómo instalar los soportes de repisa del tablero



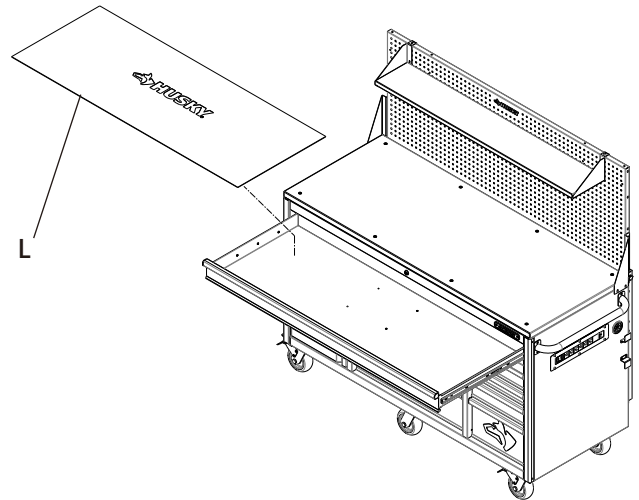
NOTA: Los orificios en el gabinete están roscados y no necesitan tuercas.

- Fija el soporte de repisa del tablero (S) a este (Q) usando dos pernos(AA) por soporte .
- Aprieta todos los pernos firmemente.
- Coloca con seguridad la repisa (R) sobre el soporte.



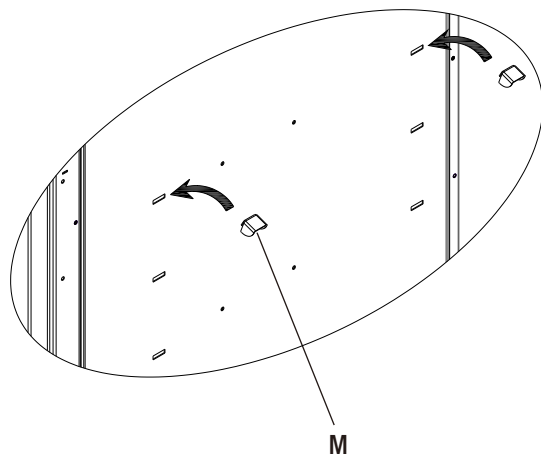
6 Cómo instalar el revestimiento de los cajones

- Coloca los revestimientos (L) en los cajones de tamaño apropiado para proteger la superficie.



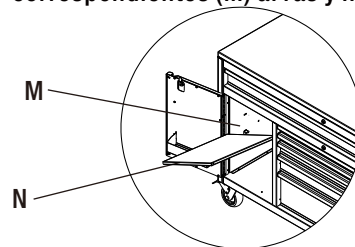
7 Cómo instalar los soportes de la repisa

- Instala los cuatro soportes de la repisa (M) dentro del área de almacenaje a la altura deseada de la repisa.
- Garantiza que los soportes de la repisa queden alineados horizontalmente y estén debidamente asentados en sus ranuras.

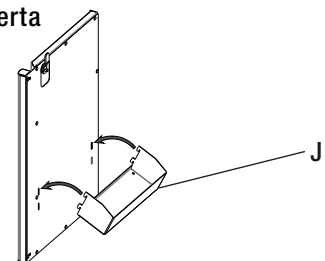


8 Cómo instalar la repisa

- Instala la repisa (N) dentro del área de almacenaje de manera que se asiente sobre los cuatro soportes correspondientes (M) al ras y nivelada.



- Instala la repisa para botellas (J) en las ranuras del interior de la puerta



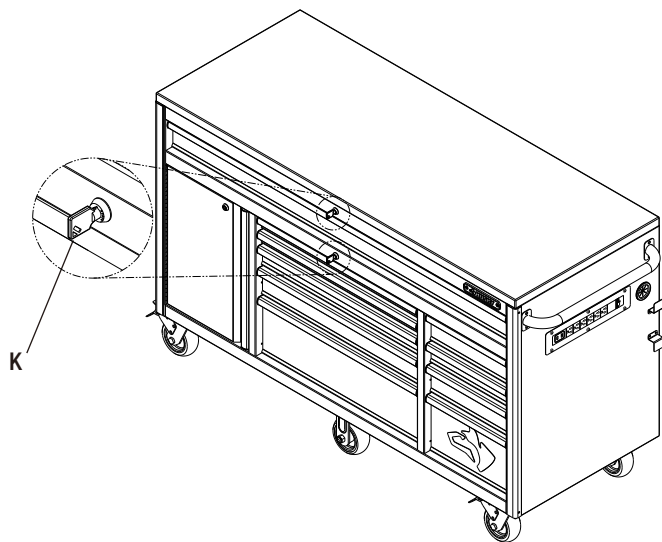
Operación

1 Cómo cerrar y abrir la unidad



IMPORTANTE : Los cajones deben estar completamente cerrados antes de cerrar o abrir la unidad.

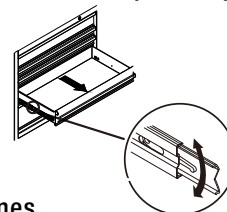
- Para cerrar la unidad, inserta la llave (K) en la cerradura (O) y gírala 1/4 de vuelta hacia la izquierda. Retira la llave.
- Para abrir la unidad, inserta la llave (K) en la cerradura (O) y izquierda. Gírala un cuarto de vuelta hacia la derecha. Retira la llave.



2 Cómo quitar/installar los cajones

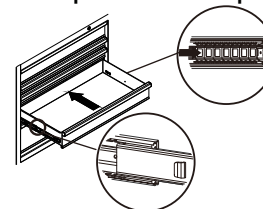
Cómo quitar los cajones

- Extiende completamente el cajón y vacíalo.
- En la corredera, levanta la palanca plástica de liberación de una corredera y empuja hacia abajo dicha palanca plástica en la otra corredera. Hala con cuidado el cajón para que las correderas puedan pasar por encima de los topes.



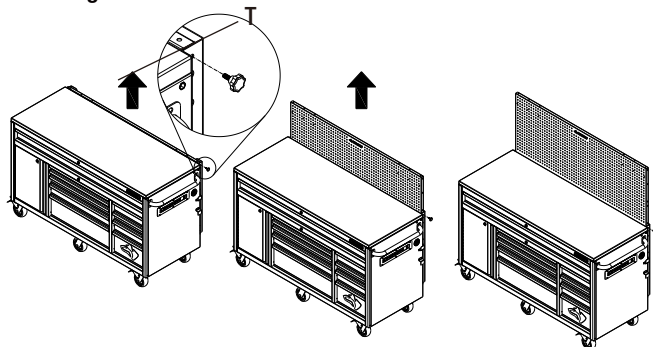
Cómo instalar los cajones

- Hala las correderas y su sujetador hacia afuera hasta que queden completamente extendidas.
- Sostén la corredera sobre el gabinete al alinearla con la corredera en el cajón.
- Inserta levemente por un lado y repite la acción para el otro lado.
- Empuja lentamente el cajón hasta quedar completamente cerrado para engancharlo en la corredera.
- Abre el cajón y ciérralo para verificar que funcione correctamente.



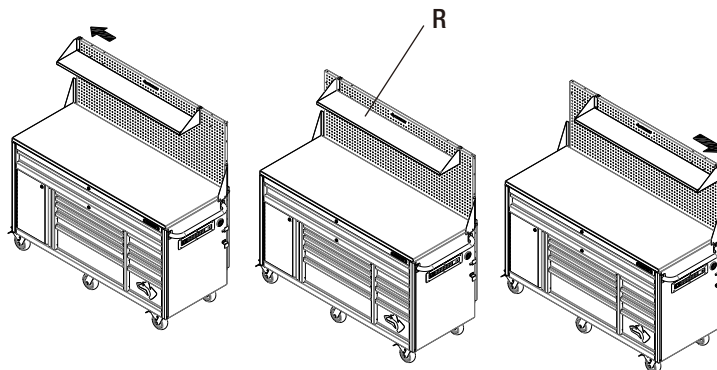
3 Cómo colocar el tablero

- El tablero se envía y queda asegurado en su compartimiento de almacenaje.
- Para elevar el tablero hasta una altura adecuada al uso, quita los tornillos mariposa de bloqueo (T) en la parte superior de las correderas del tablero.
- El tablero puede elevarse a completa o mediana altura halando recto hacia arriba. En la posición de completa o mediana altura, dos pares de bolas de retén mantendrán temporalmente al tablero en su lugar.
- Los orificios del tornillo mariposa para bloqueo (T) y aquellos sellados en el marco del tablero se alinearán.
- Reinstala los tornillos mariposa de bloqueo (T) para asegurar el tablero.



4 Cómo colocar la repisa del tablero

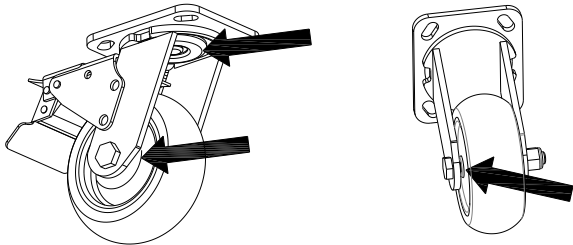
- La repisa del tablero (R) debe instalarse usando los orificios pretaladrados en el lado izquierdo, el centro o el lado derecho del tablero.



Mantenimiento

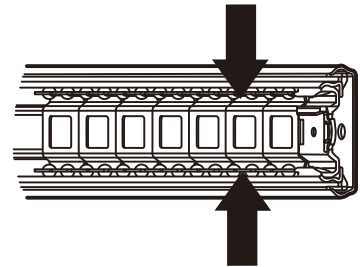
1 Cómo dar mantenimiento a las ruedas

- Engrasa las ruedas anualmente usando grasa de alta calidad para cojinetes de bola



2 Cómo dar mantenimiento a los cajones

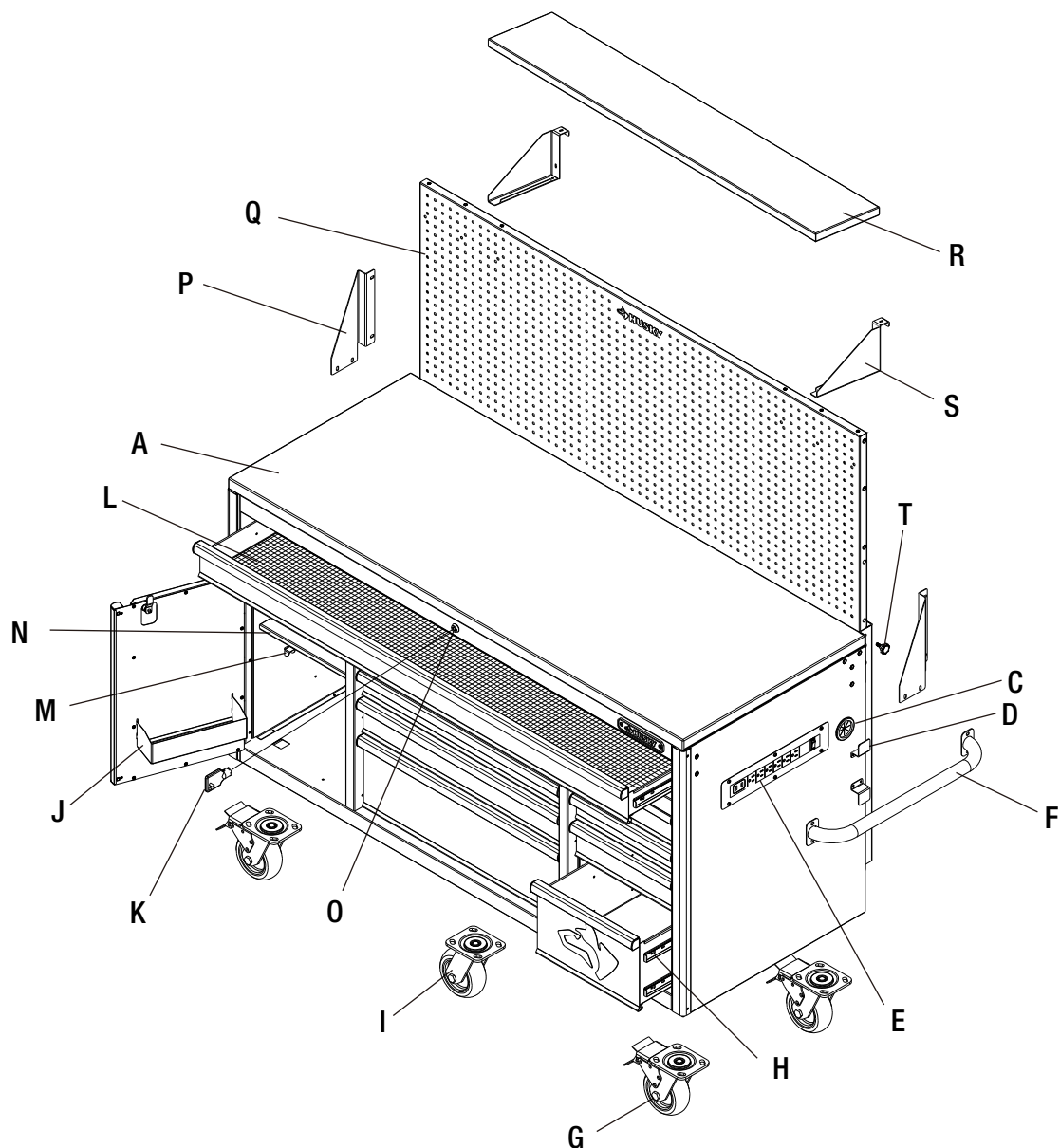
- Limpia periódicamente la moldura del cajón y su interior con un detergente suave y agua.
- Quita la grasa y el aceite con un líquido estándar para limpiar, no inflamable.
- Se recomienda usar revestimientos de cajones para proteger el acabado dentro de ellos y facilitar su limpieza. Los revestimientos de cajones pueden comprarse en The Home Depot.
- Lubrica las correderas de los cajones dos veces al año con grasa o equivalente.



Mantenimiento y limpieza

- Este producto de acero ha sido revestido con cubierta granular industrial para un acabado duradero. Para ayudar a proteger este acabado, no permitas que productos químicos agresivos, como aceite o grasa, permanezcan sobre la superficie pulvirrevestida. Usa un limpiador de vidrio (Windex® o producto equivalente) para limpiar y dar mantenimiento a todas las superficies pulvirrevestidas.
- La cubierta de madera está hecha de caucho de Pará (también denominado Rubberwood) que tiene un revestimiento de poliuretano para ayudar a proteger la cubierta contra la humedad. Puede limpiarse con la mayoría de los limpiadores del hogar, como Windex®.

Piezas de repuesto



Pieza	Descripción	Cantidad
A	Cubierta de madera	1
C	Remache	1
D	Soporte de cable (juego)	1
E	Barra multicontacto	1
F	Asa lateral	1
G	Rueda giratoria con frenos	4
H	Corredera del cajón con clasificación para 45.36 kg (el par)	12
I	Rueda giratoria	2
J	Repisa para botella	1
K	Llave (juego)	3

Pieza	Descripción	Cantidad
L	Revestimiento de cajones	10
M	Presilla para repisa del gabinete	4
N	Repisa del gabinete	1
O	Encajar	3
P	Soporte de tablero (juego)	1
Q	Tablero perforado	1
R	Repisa de tablero	1
S	Soporte de repisa de tablero (juego)	1
T	Tornillo mariposa para bloqueo	2



¿Preguntas, problemas o piezas faltantes? Antes de devolver a la tienda, llama al Servicio al cliente de Husky,

**de lunes a viernes, entre 8:00 a.m. y 7:00 p.m. (hora estándar del Este),
y los sábados de 9:00 a.m. a 6:00 p.m. (hora estándar del Este).**

1-888-HD-HUSKY

HUSKYTOOLS.COM

Conserva este manual para uso futuro.