

HOME BAR SERIES

3 DRAWER BASE



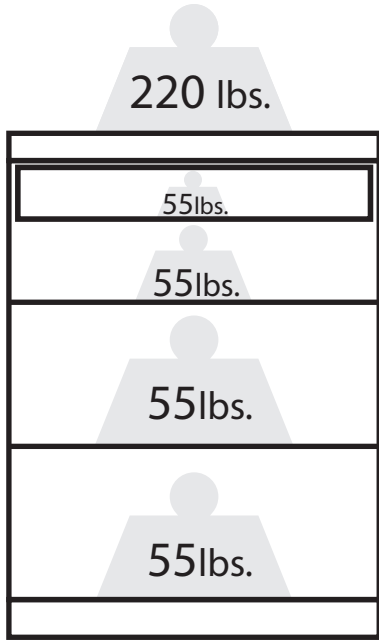
Warning: Excessive weight hazard!

Use two or more people to move, assemble or install wine cabinets to avoid back injury.

Do not leave children unattended near cabinets. High risk of tipping if cabinets are installed incorrectly: securely attach cabinets to the wall to avoid serious injury.

For assistance, call 1.877.306.8930; for UK 0800.031.4069; e-mail at info@newageproducts.com

Weight Capacity



3 Drawer
Base Cabinet
Max 440 lbs.

Countertops



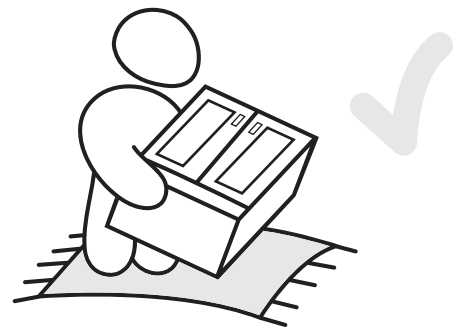
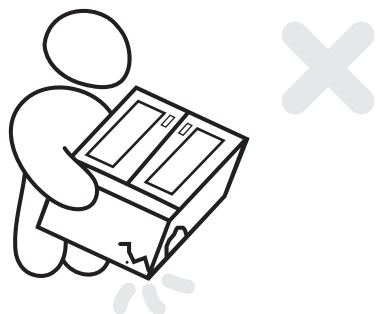
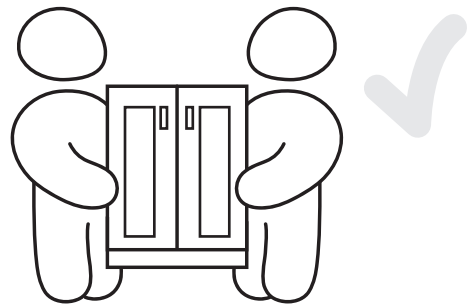
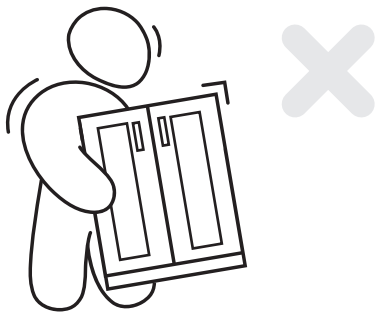
48" Countertop. Fits over 2 Cabinets



72" Countertop. Fits over 3 Cabinet



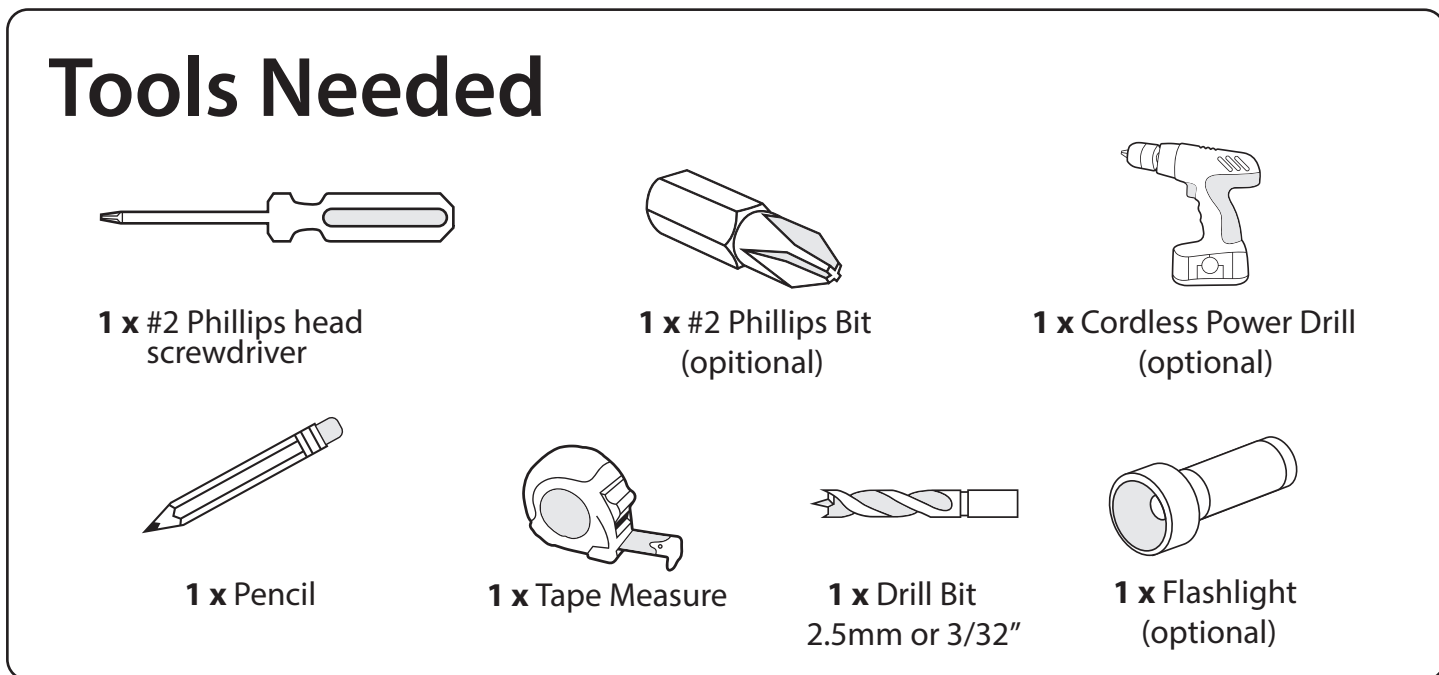
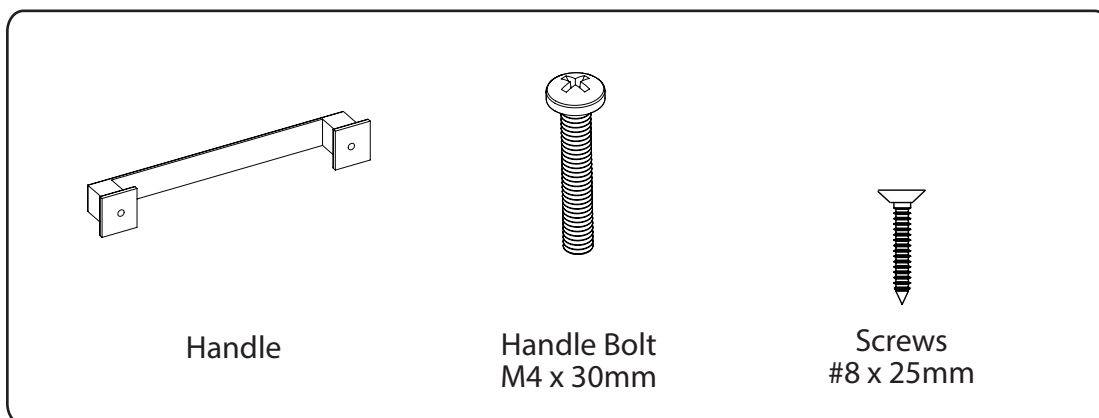
96" Countertop. Covers over 4 Cabinet



Unpacking

- Begin by placing the package on a covered flat surface.
- Remove all cardboard, foam packaging material and clear plastic bags.
- Dispose / recycle all packaging materials.
- Verify all the contents in the box and gather the required tools. See "Parts" and "Tools Needed" in the list below.

Parts Supplied	3 Drawer Cabinet
Handles	3
Handle Bolts (M4 x30mm)	6
#8 x 25mm Screws	6

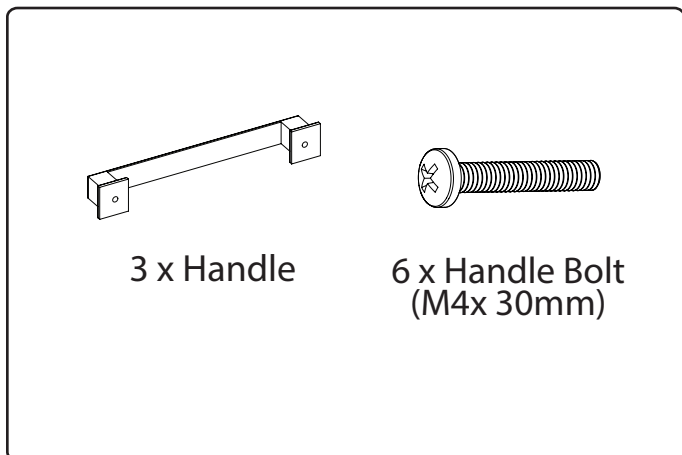


Installing the Handles

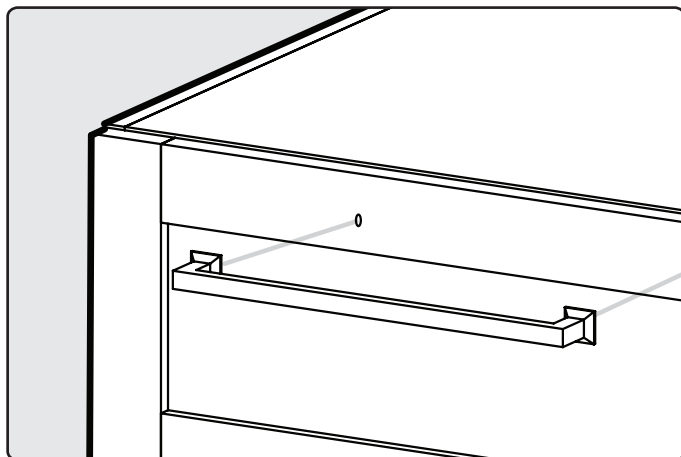
Note:

Cabinets come with handles installed on inside of drawers/doors.

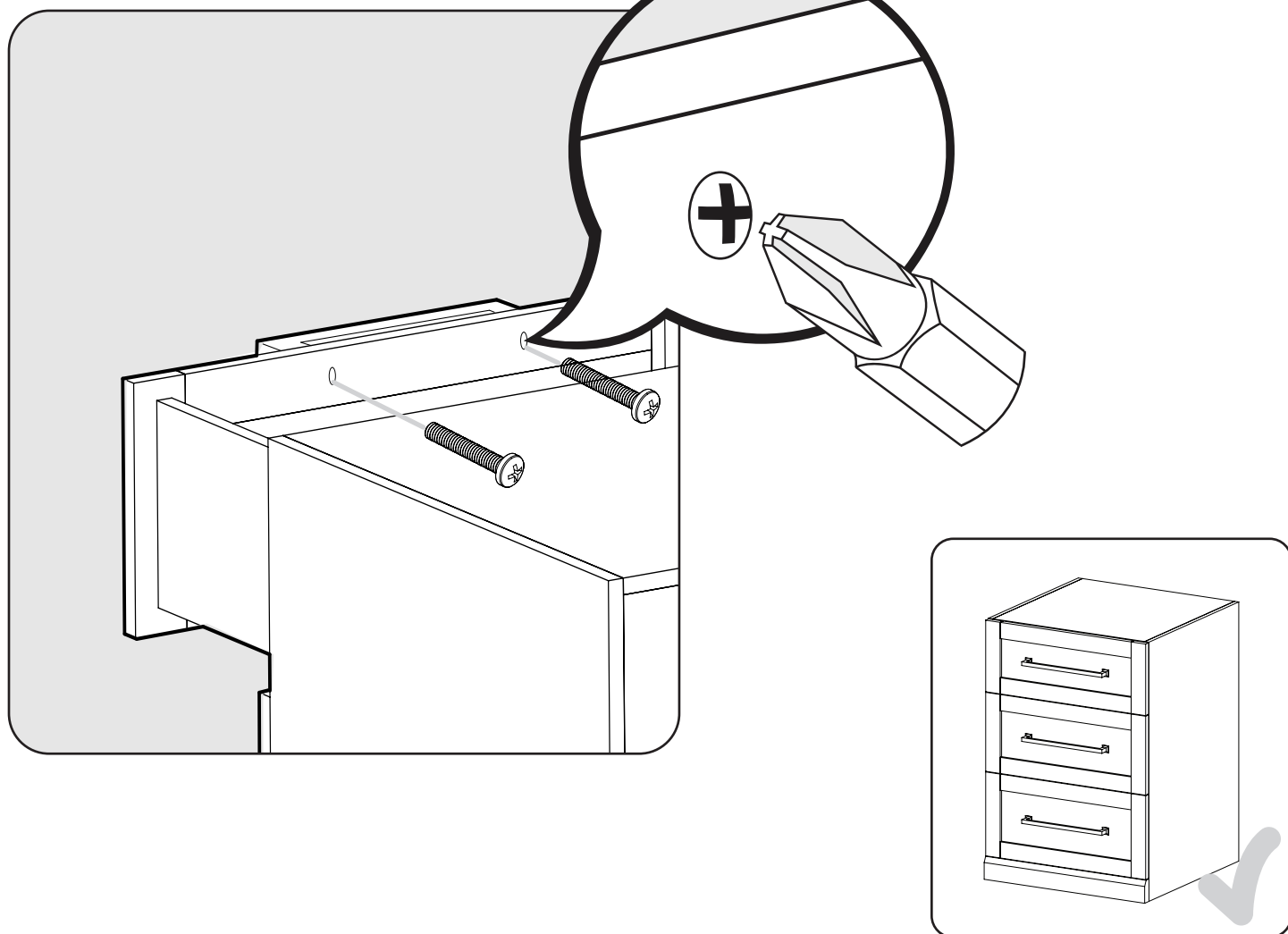
1 Parts Needed.



2 Align handle to holes on doors or drawers.

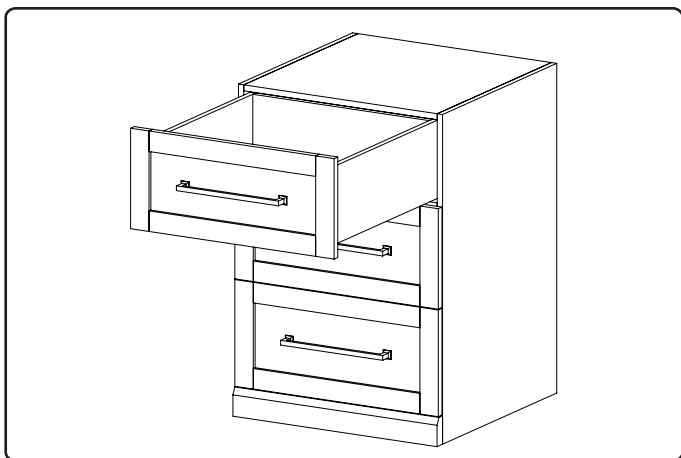


3 Screw in bolts.

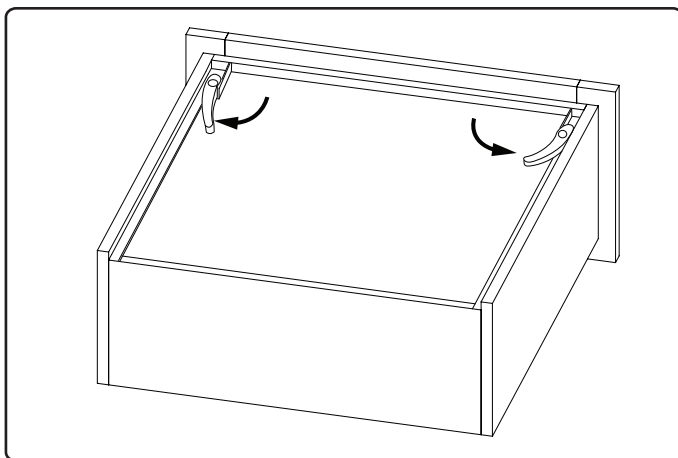


Removing Drawer

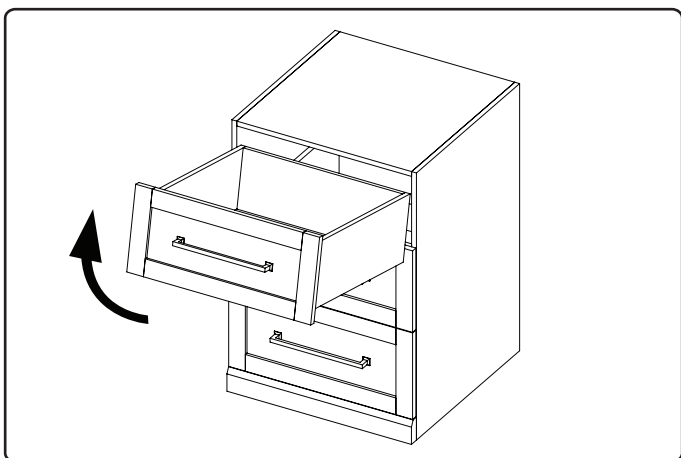
4 Extend drawer fully.



5 Press plastic triggers on underside of drawer according to arrows in image.

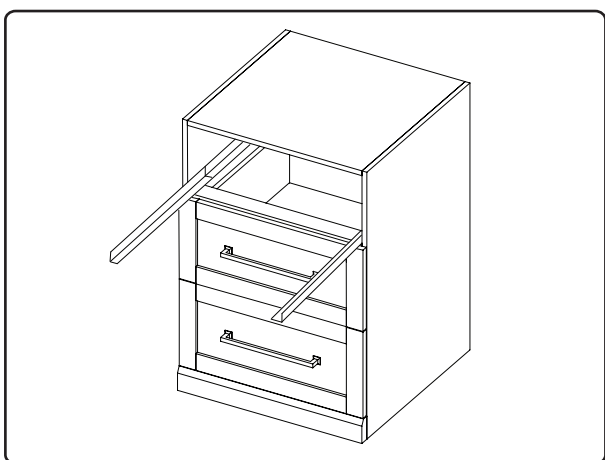


6 Tilt and remove shelf rack.

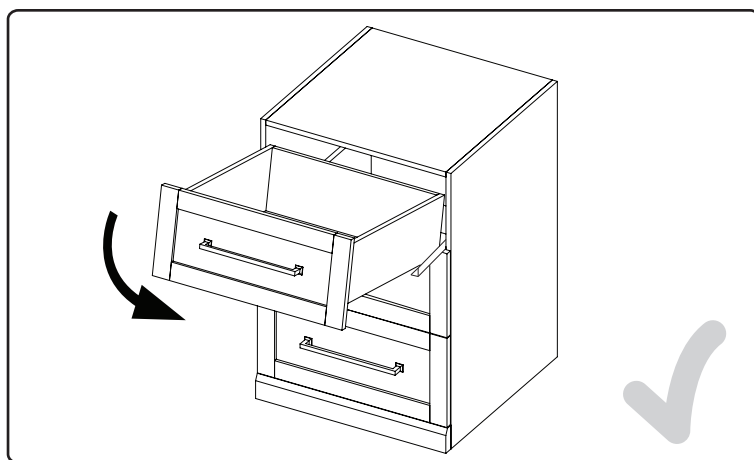


Inserting Drawer

10 Partially extend drawer slides.



11 Put drawer on slides and slide each drawer slide forward until you hear a click sound.

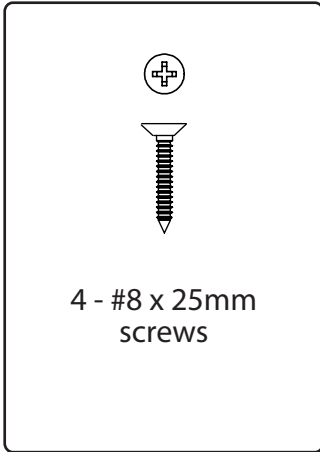


Fastening Cabinets

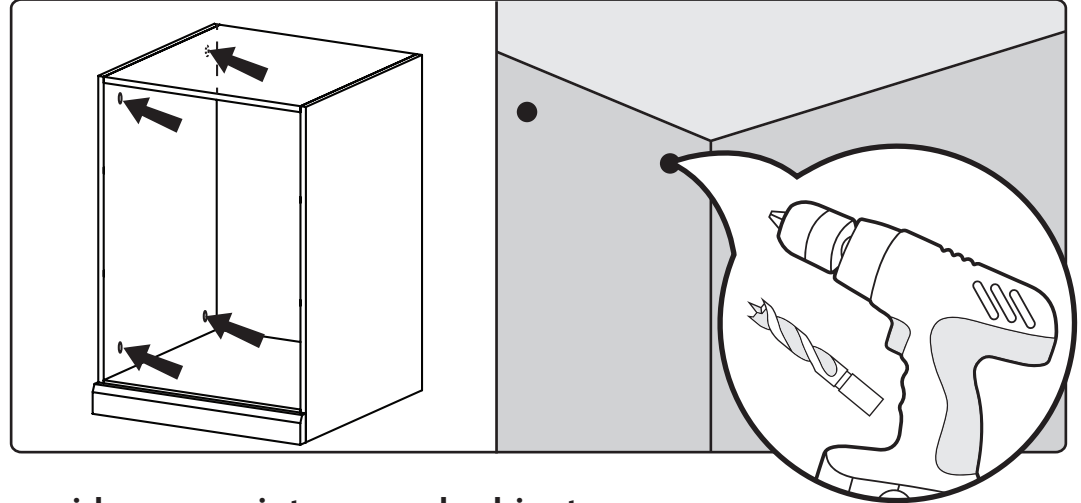
Note:

All drawers must be removed prior to fastening cabinets together.

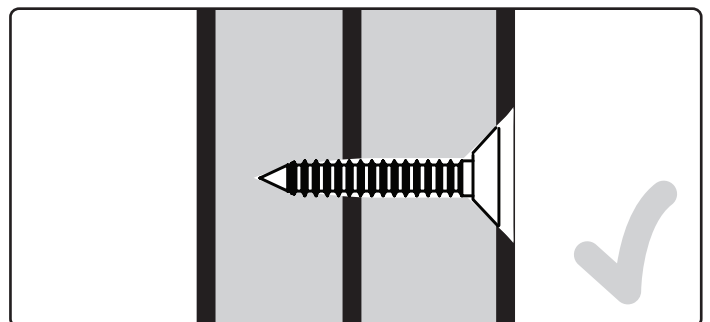
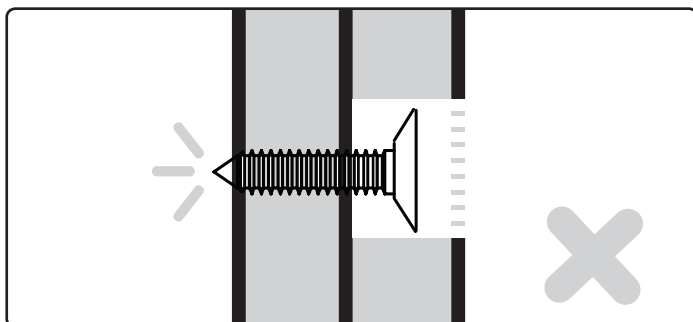
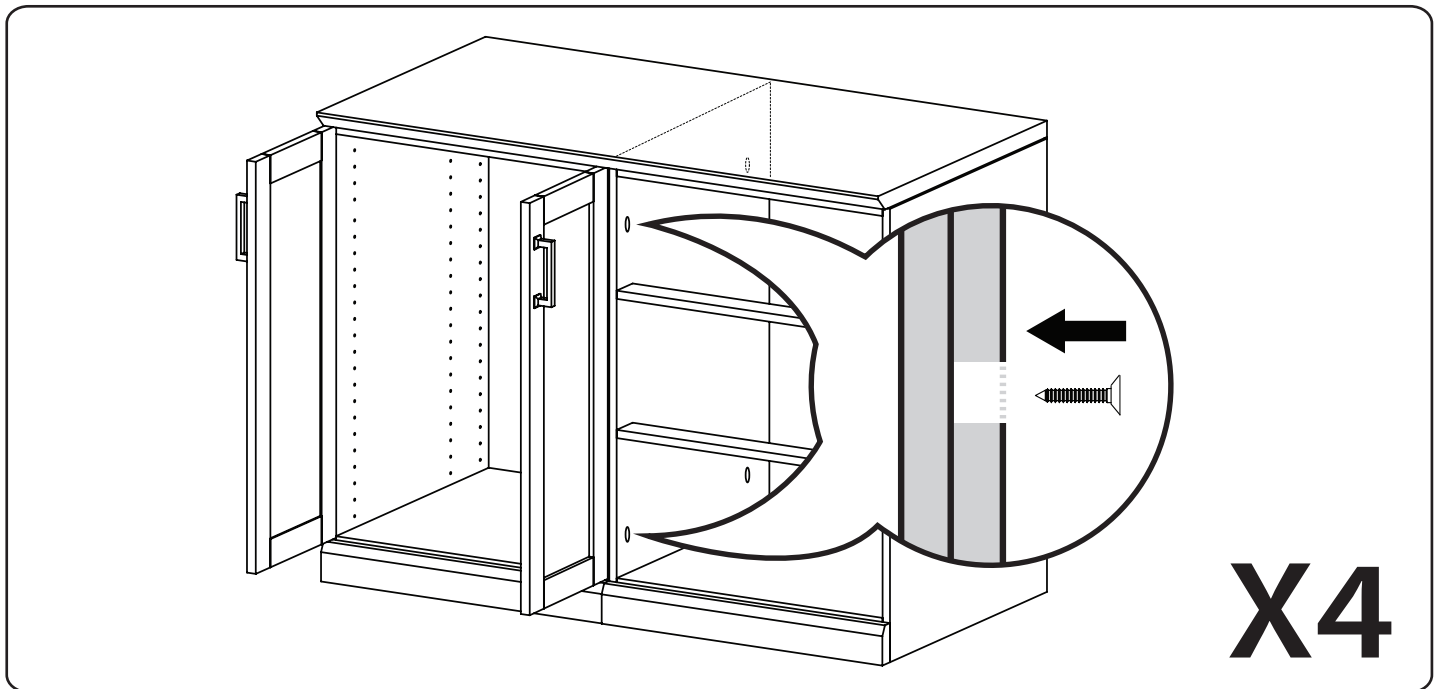
9 Parts Needed.



10 Drill $3/32''$ pilot holes on interior wall of cabinet being fastened.

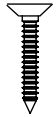


11 Using pilot hole as guides, screw into second cabinet. Do not over-tighten screws and punch through other side!



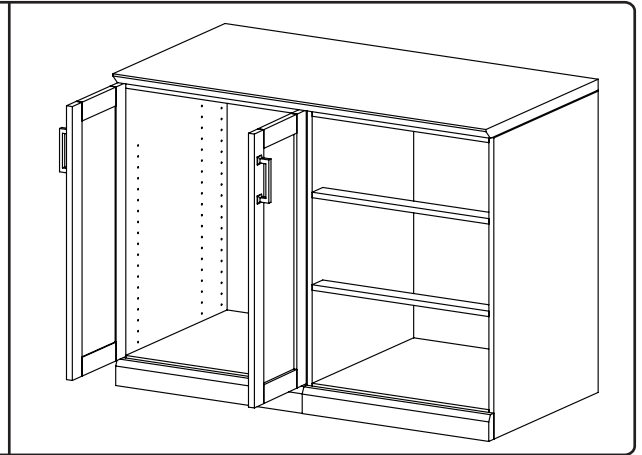
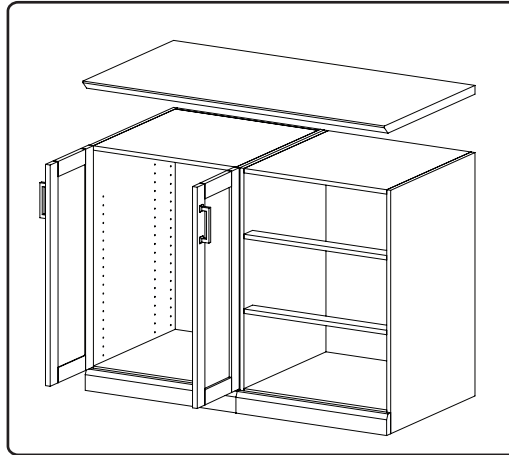
Mounting the Worktop

12 Parts Needed.

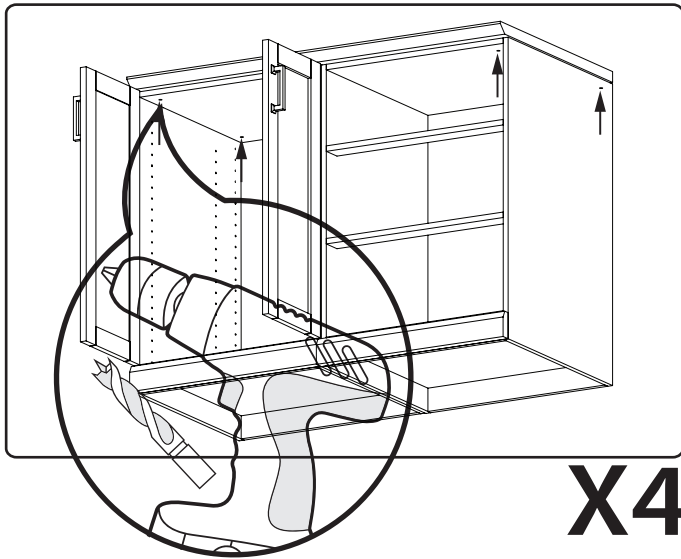


4 - #8 x 25mm screws

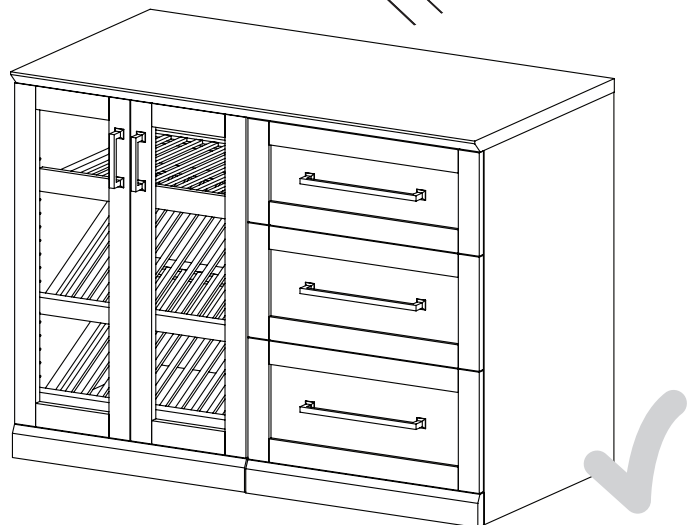
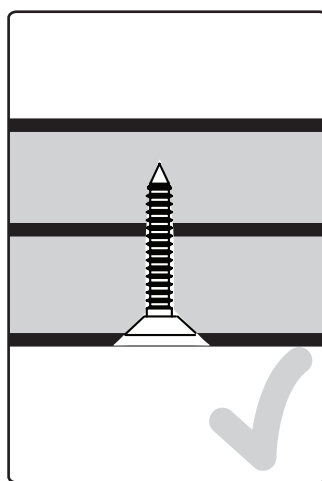
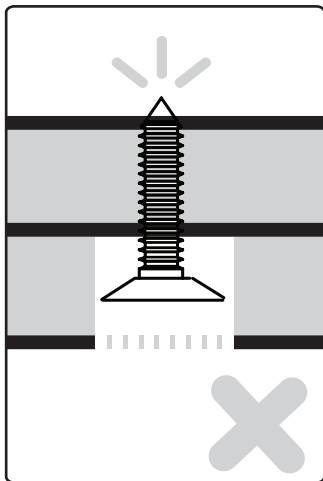
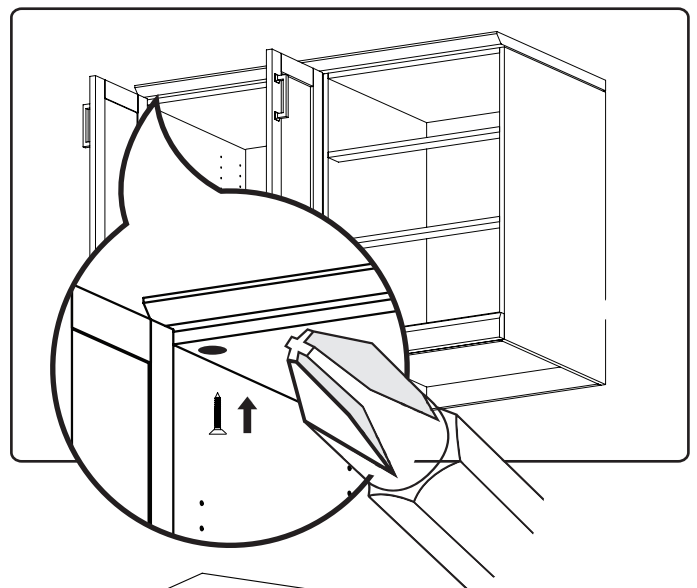
13 Place worktop over cabinets and lower onto cabinets.

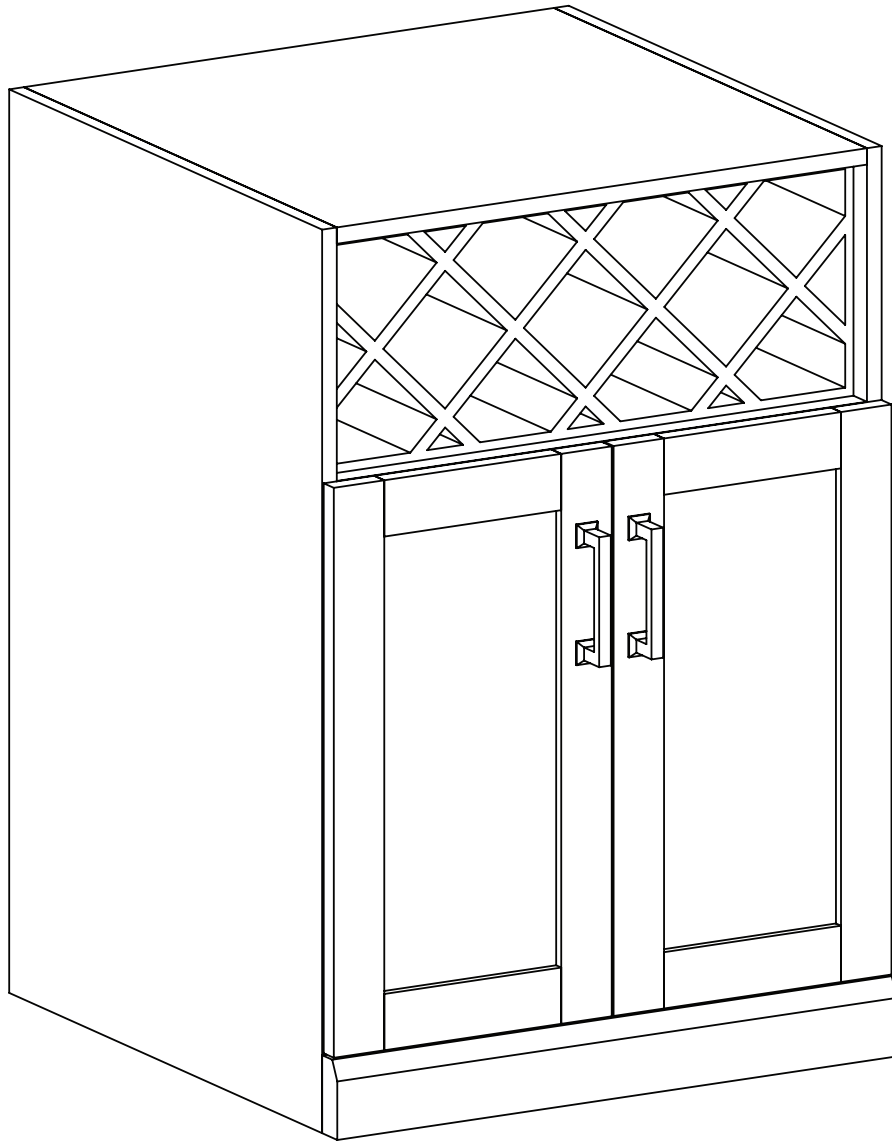


14 Drill 3/32" pilot holes on interior roof of cabinet.



15 Tighten screws to secure cabinets.





HOMEBAR SERIES

WINE STORAGE CABINET



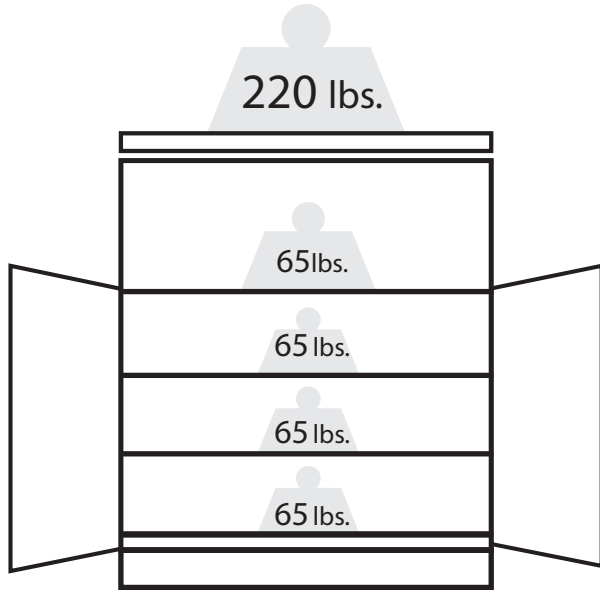
Warning: Excessive weight hazard!

Use two or more people to move, assemble or install wine cabinets to avoid back injury.

Do not leave children unattended near cabinets. High risk of tipping if cabinets are installed incorrectly: securely attach cabinets to the wall to avoid serious injury.

For assistance, call 1.877.306.8930; for UK 0800.031.4069; e-mail at info@newageproducts.com

Weight Capacity



Bottle Cabinet
Max 480lbs.

Countertops



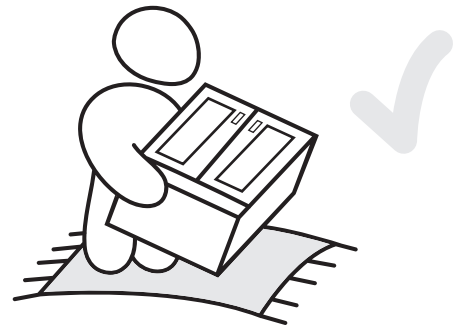
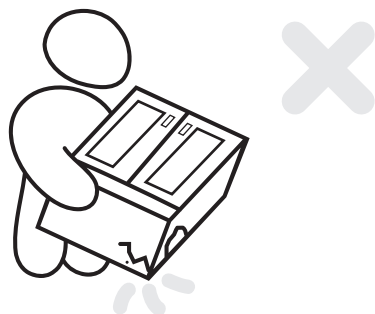
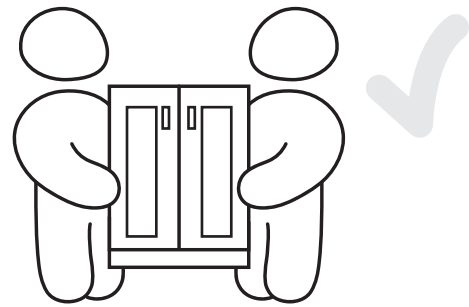
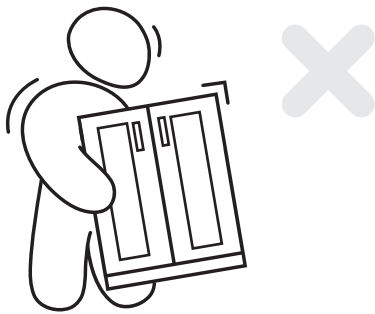
48" Countertop. Fits over 2 Cabinets



72" Countertop. Fits over 3 Cabinets



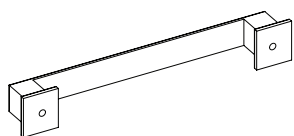
96" Countertop. Covers over 4 Cabinets



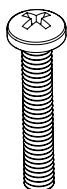
Unpacking

- Begin by placing the package on a covered flat surface.
- Remove all cardboard, foam packaging material and clear plastic bags.
- Dispose / recycle all packaging materials.
- Verify all the contents in the box and gather the required tools. See "Parts" and "Tools Needed" in the list below.

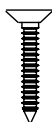
Parts Supplied	Bottle Cabinet
Handles	2
Handle Bolts (M4 x 22mm)	4
#8 x 25mm Screws	6



Handle



Handle Bolt
M4 x 22mm

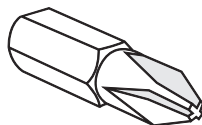


Screws
#8 x 25mm

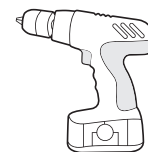
Tools Needed



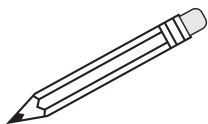
1 x #2 Phillips head
screwdriver



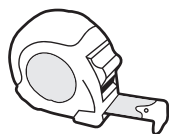
1 x #2 Phillips Bit
(optional)



1 x Cordless Power Drill
(optional)



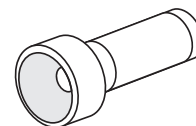
1 x Pencil



1 x Tape Measure



1 x Drill Bit
2.5mm or 3/32"



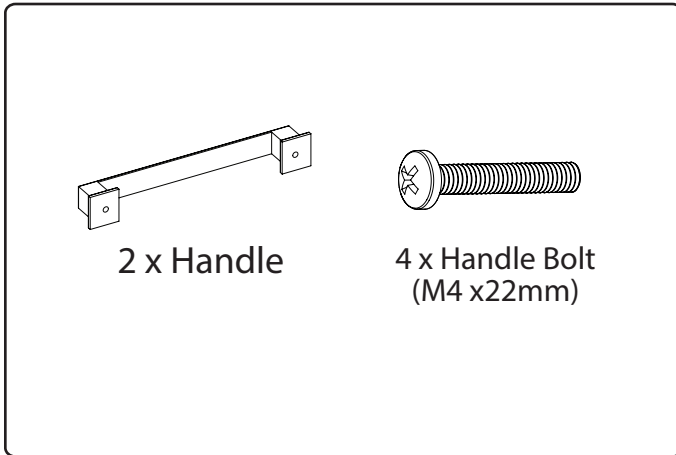
1 x Flashlight
(optional)

Installing the Handles

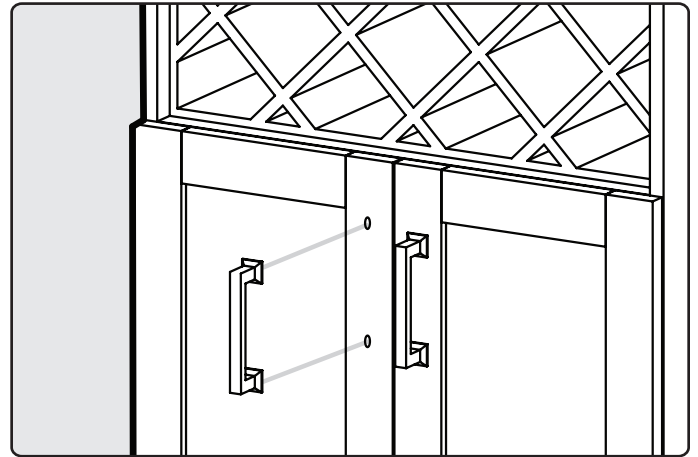
Note:

Cabinets come with handles installed on inside of drawers/doors.

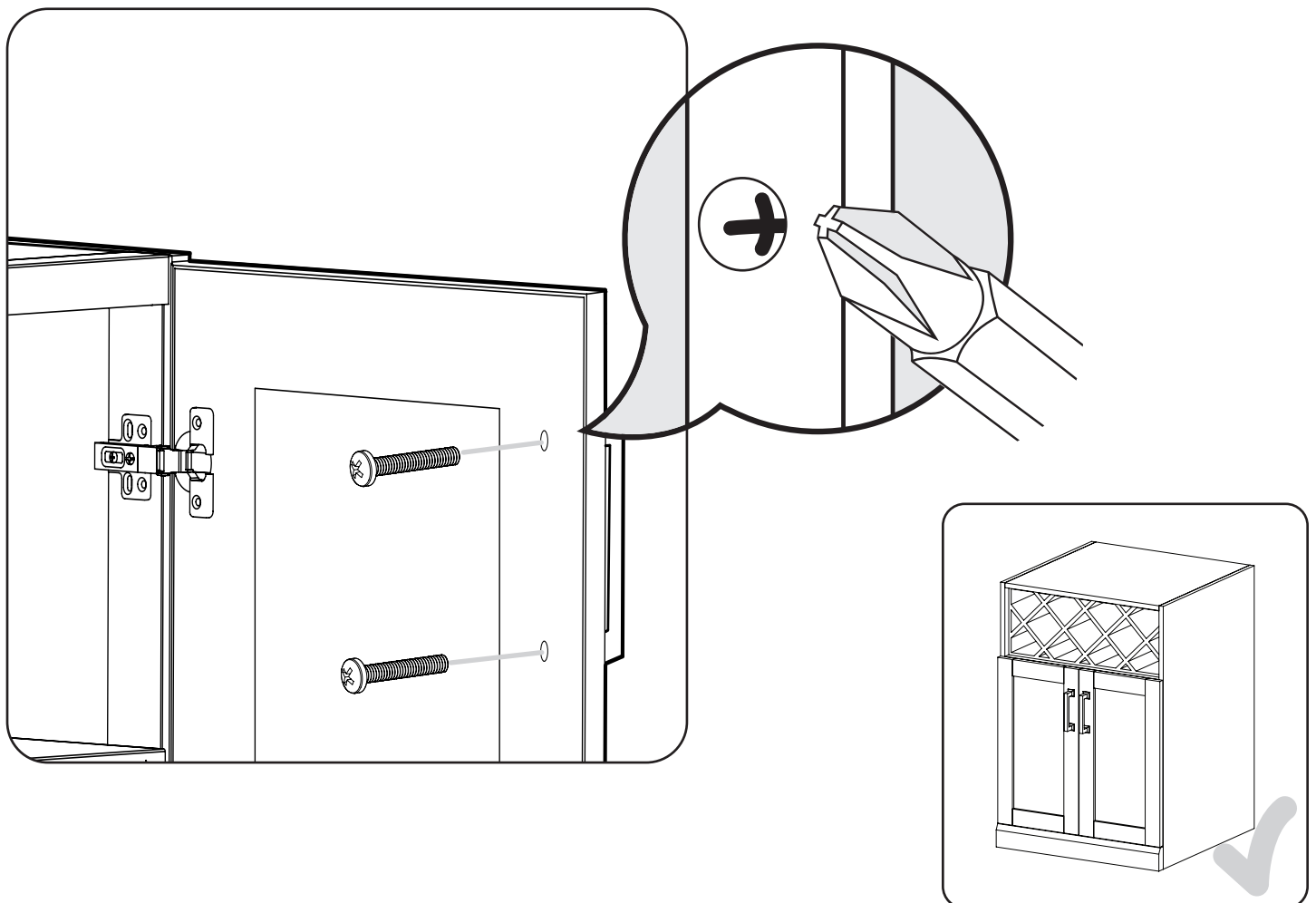
1 Parts Needed.



2 Align handle to holes on doors or drawers.

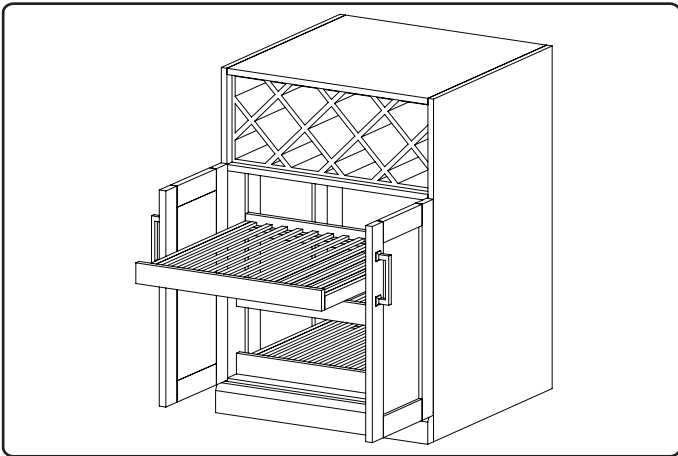


3 Screw in bolts.

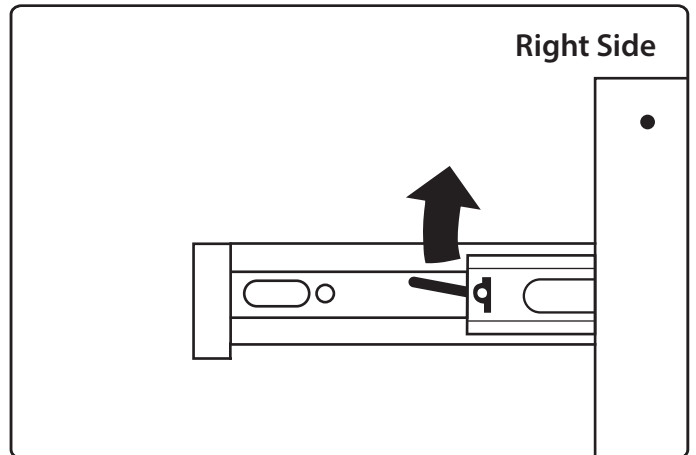


Removing Pull-out Rack

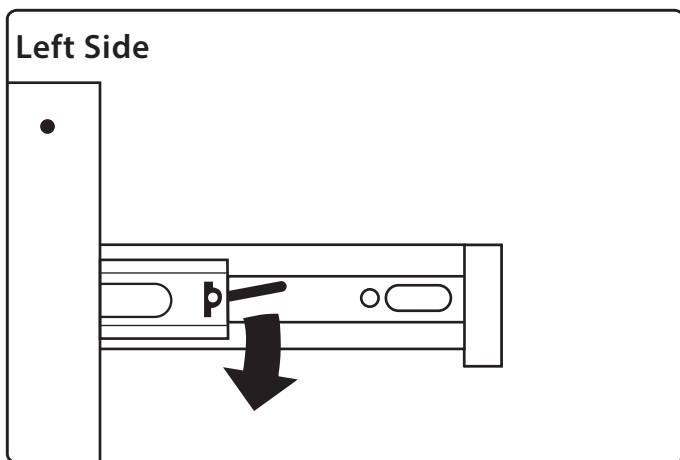
4 Partially extend rack.



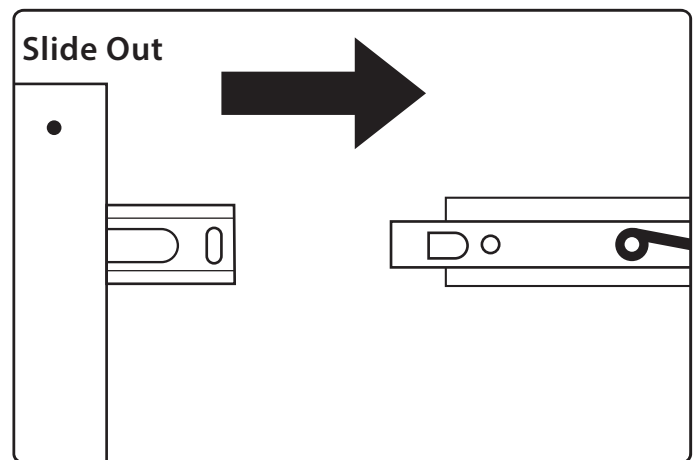
5 Pull right side latch up.



6 Push left latch down.

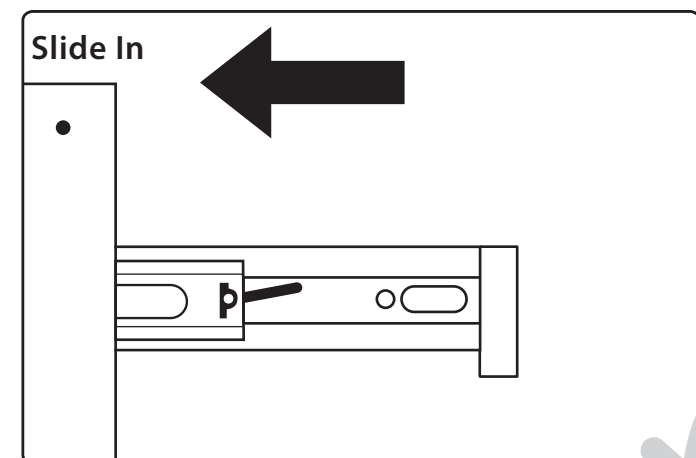
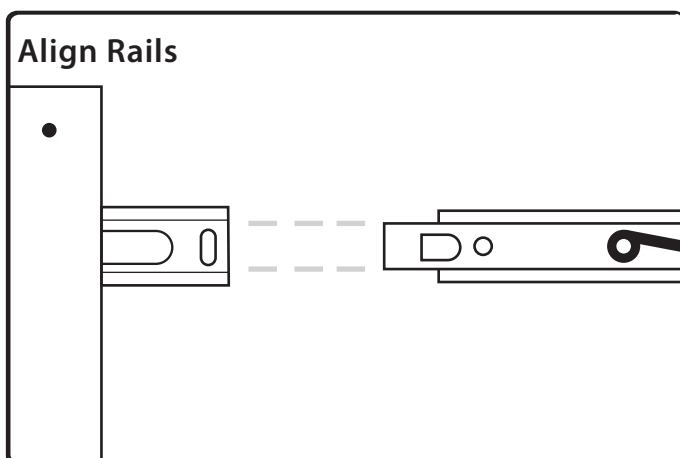


7 Slide rack out.



Inserting Drawer

8 Align rails and slide in.

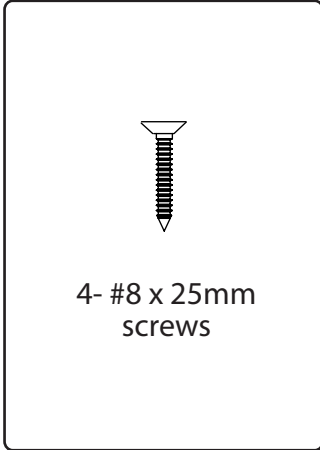


Fastening Cabinets

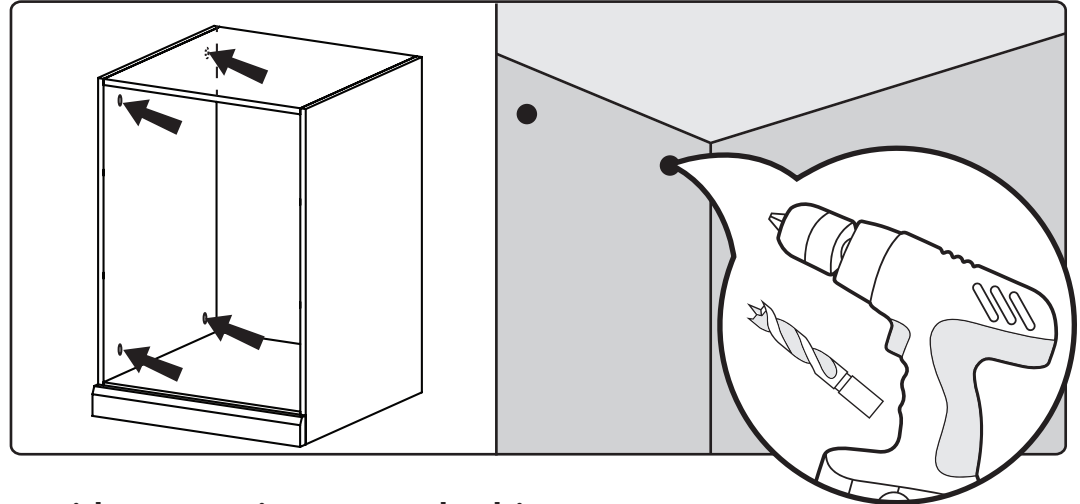
Note:

Remove wine rack and pull-out rack to make fastening cabinets easier.

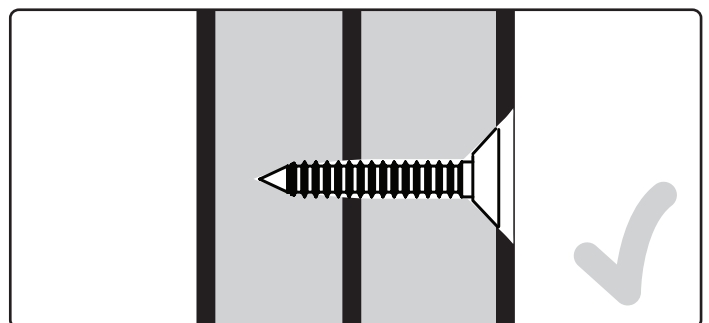
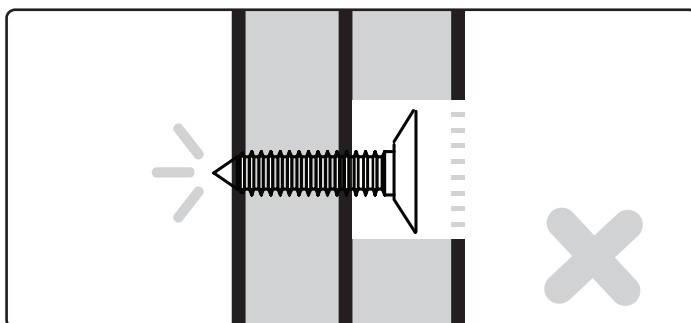
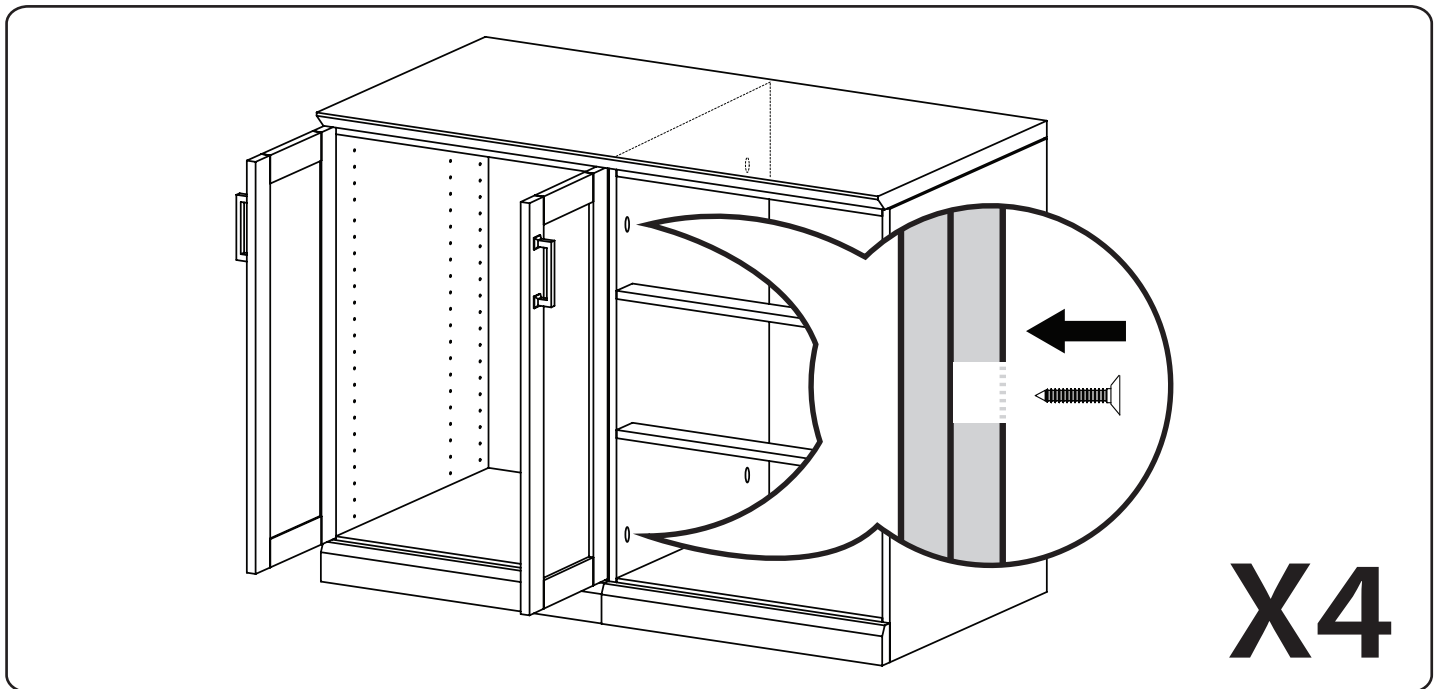
9 Parts Needed.



10 Drill 3/32" pilot holes on interior wall of cabinet being fastened.

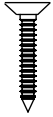


11 Using pilot hole as guides, screw into second cabinet. Do not over-tighten screws and punch through other side!



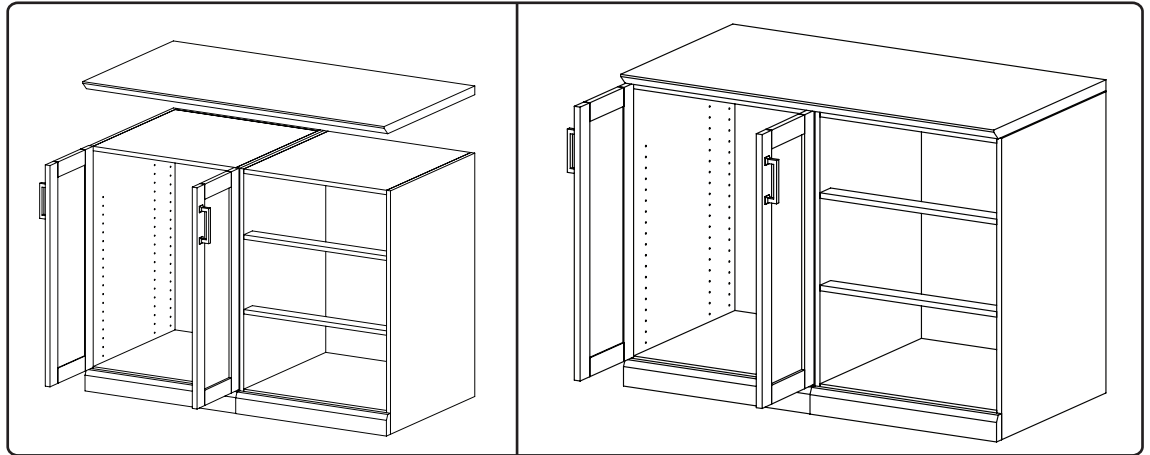
Mounting the Worktop

12 Parts Needed.

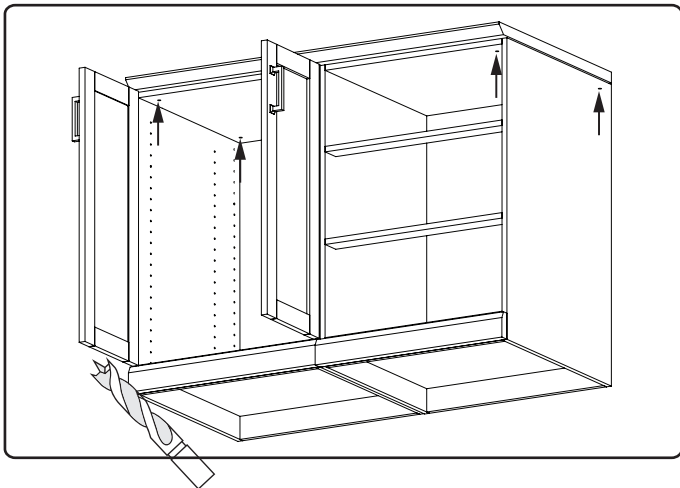


4- #8 x 25mm screws

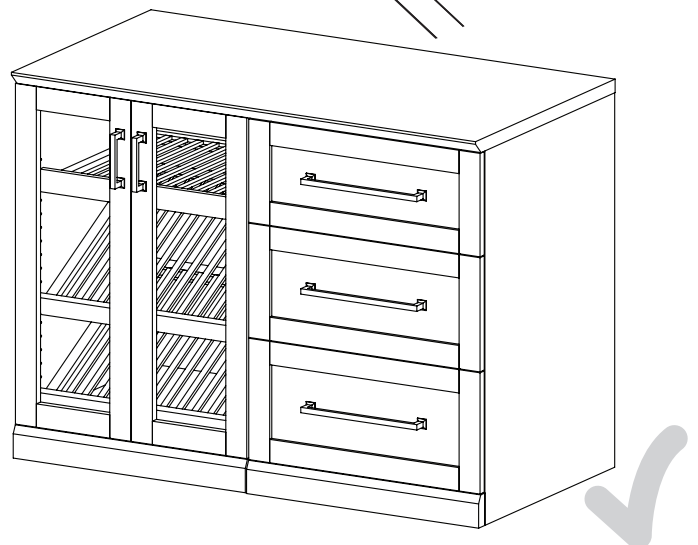
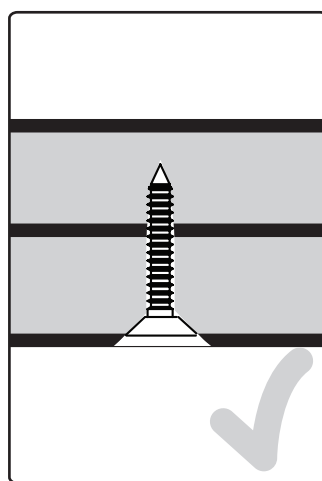
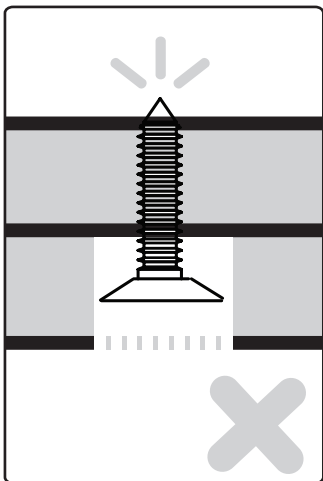
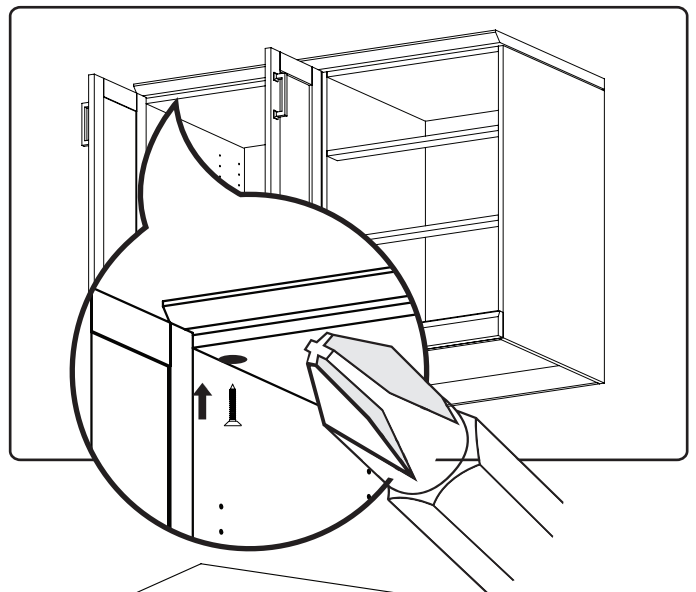
13 Place worktop over cabinets and lower onto cabinets.



14 Drill 3/32" pilot holes on interior roof of cabinet.



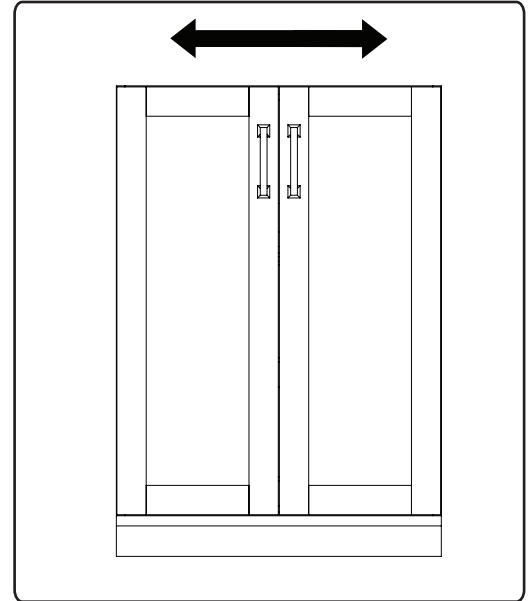
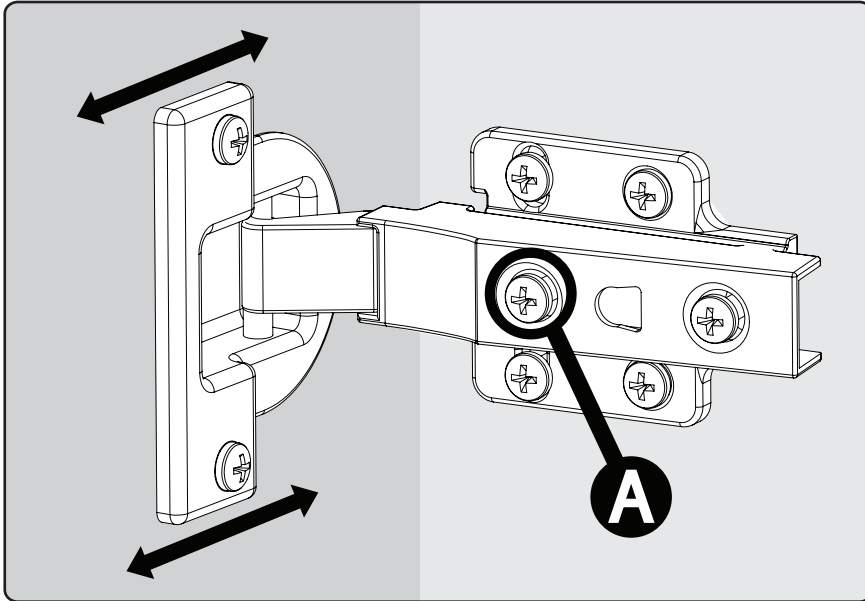
15 Tighten screws to secure cabinets.



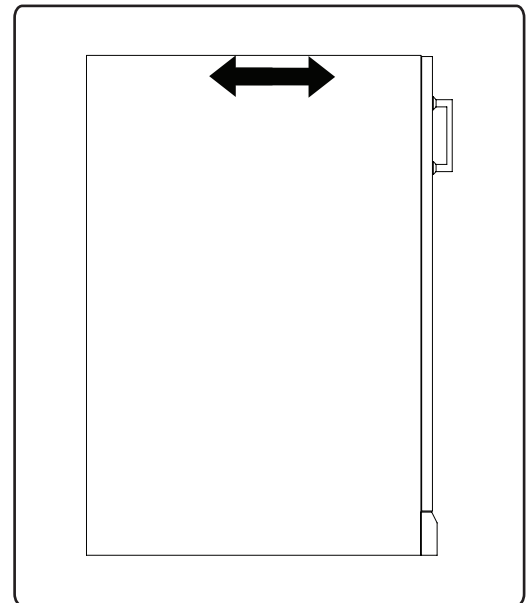
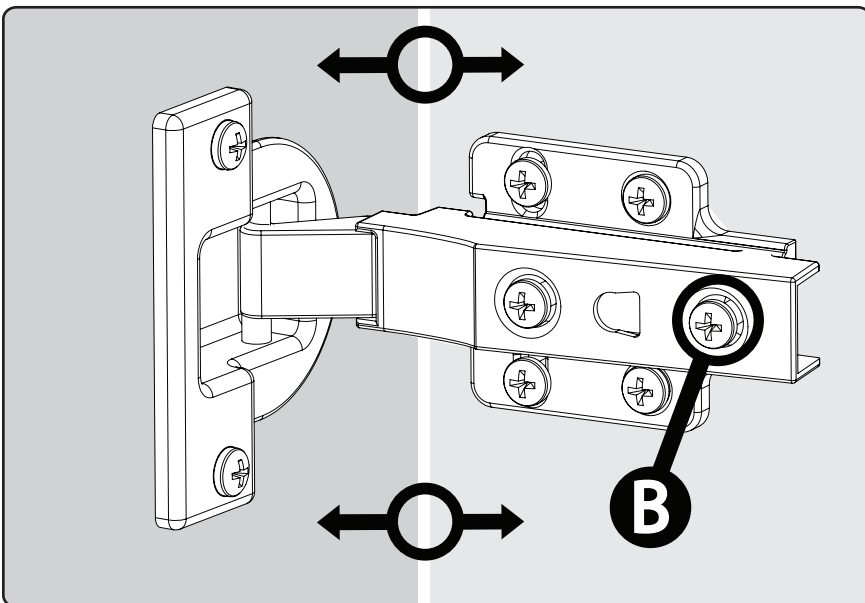
Adjusting The Door Hinges

Using a Philips screwdriver, the doors can be adjusted:
Left, right, forwards and backwards.

16 To adjust the doors left or right, turn the screw (A) clockwise or counterclockwise.



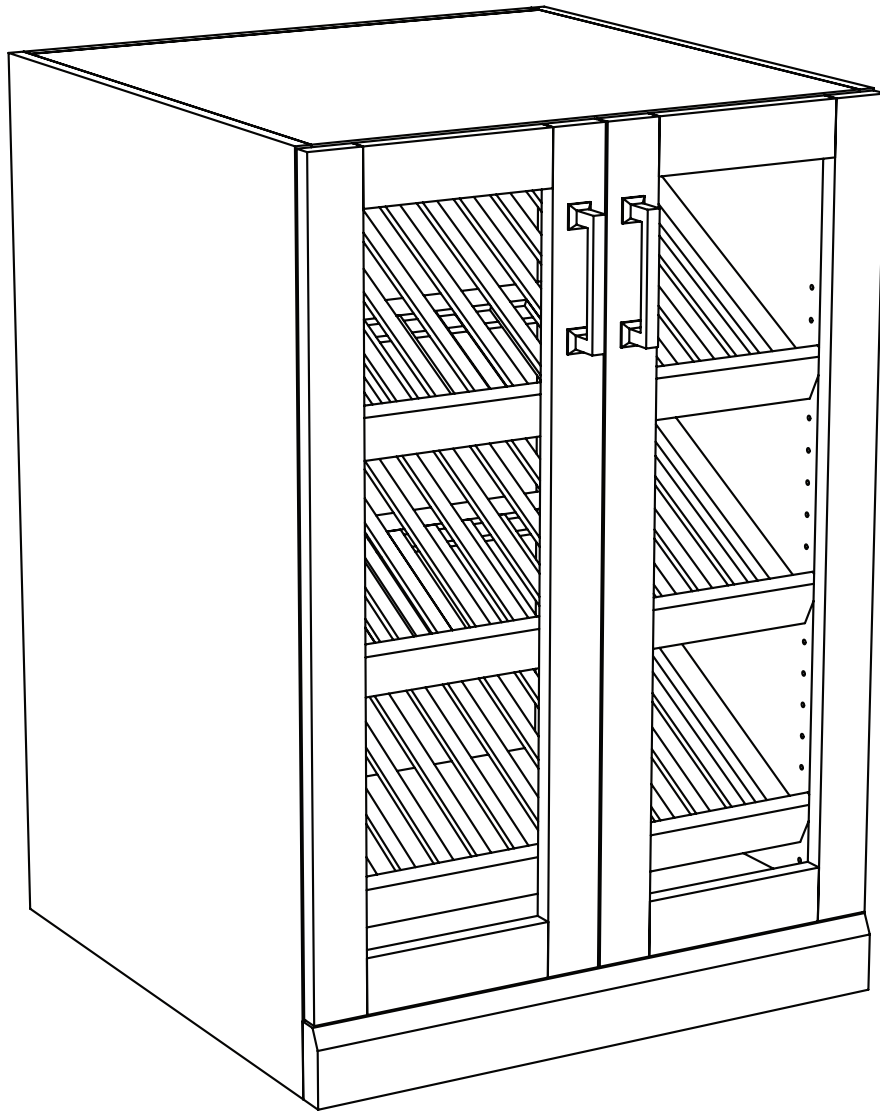
17 To adjust the gap between the doors and frame, turn the screw (B) clockwise or counterclockwise.



Thank you for purchasing a NewAge Product!

Please give us a call or visit online if you have any questions.

Call 1.877.306.8930; for UK 0800.031.4069; e-mail at info@newageproducts.com



HOME BAR SERIES DISPLAY BASE



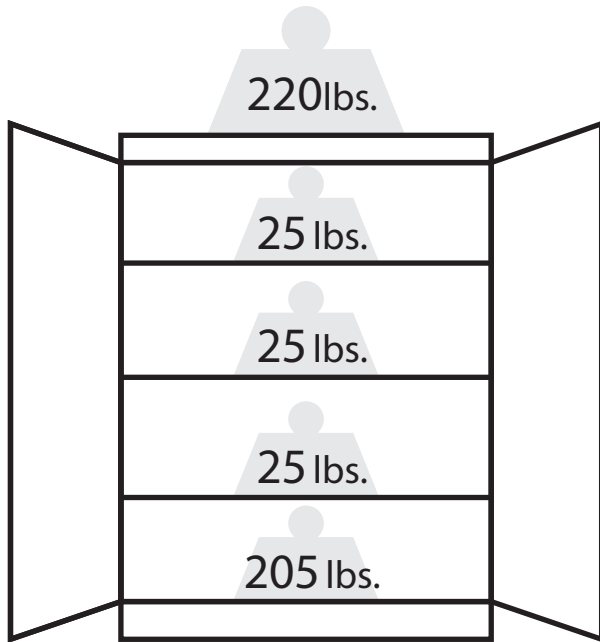
Warning: Excessive weight hazard!

Use two or more people to move, assemble or install wine cabinets to avoid back injury.

Do not leave children unattended near cabinets. High risk of tipping if cabinets are installed incorrectly: securely attach cabinets to the wall to avoid serious injury.

For assistance, call 1.877.306.8930; for UK 0800.031.4069; e-mail at info@newageproducts.com

Weight Capacity



Bottle Display
Base Cabinet
Max 500lbs.

Countertops



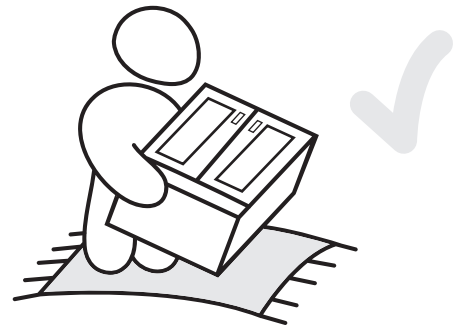
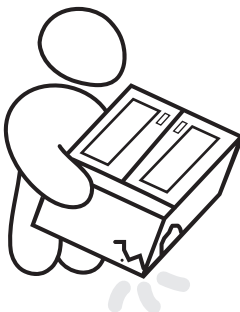
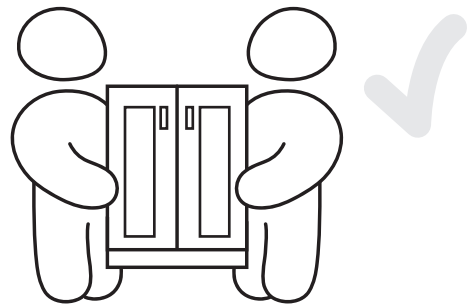
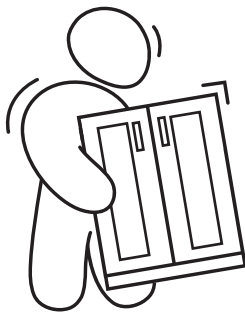
48" Countertop. Fits over 2 Cabinets



72" Countertop. Fits over 3 Cabinet



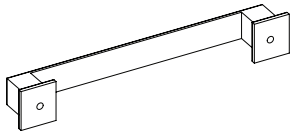
96" Countertop. Covers over 4 Cabinet



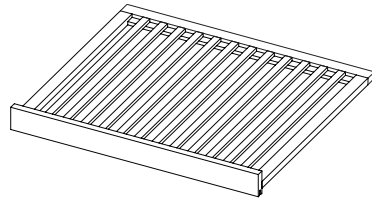
Unpacking

- Begin by placing the package on a covered flat surface.
- Remove all cardboard, foam packaging material and clear plastic bags.
- Dispose / recycle all packaging materials.
- Verify all the contents in the box and gather the required tools. See "Parts" and "Tools Needed" in the list below.

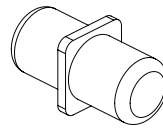
Parts Supplied	Bottle Display Cabinet
Handles	2
Handle Bolts (M4 x 22mm)	4
Adjustable Display Racks	3
Shelf Pins	14
#8 x 25mm Screws	6



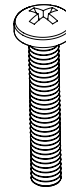
Handle



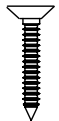
Display Racks



Shelf Pins



Handle Bolt
M4 x 22mm

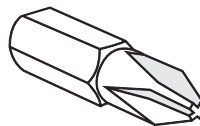


Screws
#8 x 25mm

Tools Needed



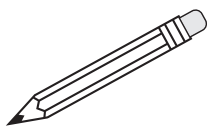
1 x #2 Phillips head
screwdriver



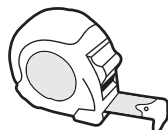
1 x #2 Phillips Bit
(optional)



1 x Cordless Power Drill
(optional)



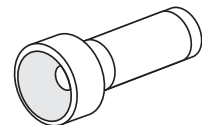
1 x Pencil



1 x Tape Measure



1 x Drill Bit
2.5mm or 3/32"



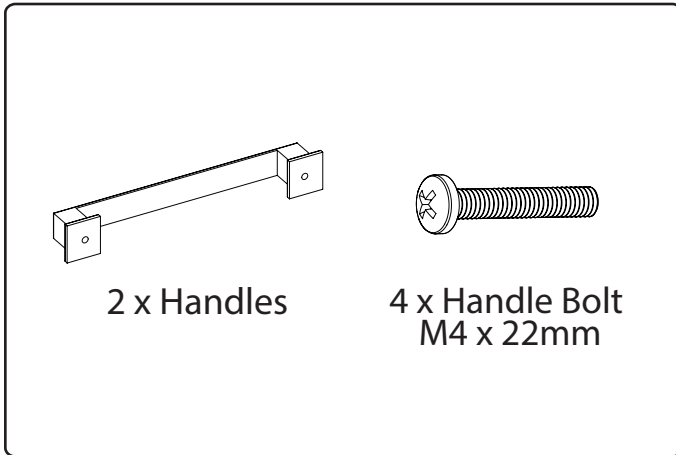
1 x Flashlight
(optional)

Installing the Handles

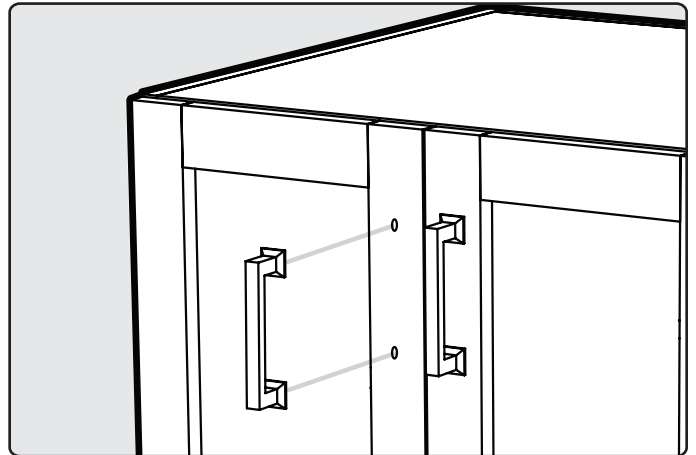
Note:

Cabinets come with handles installed on inside of drawers/doors.

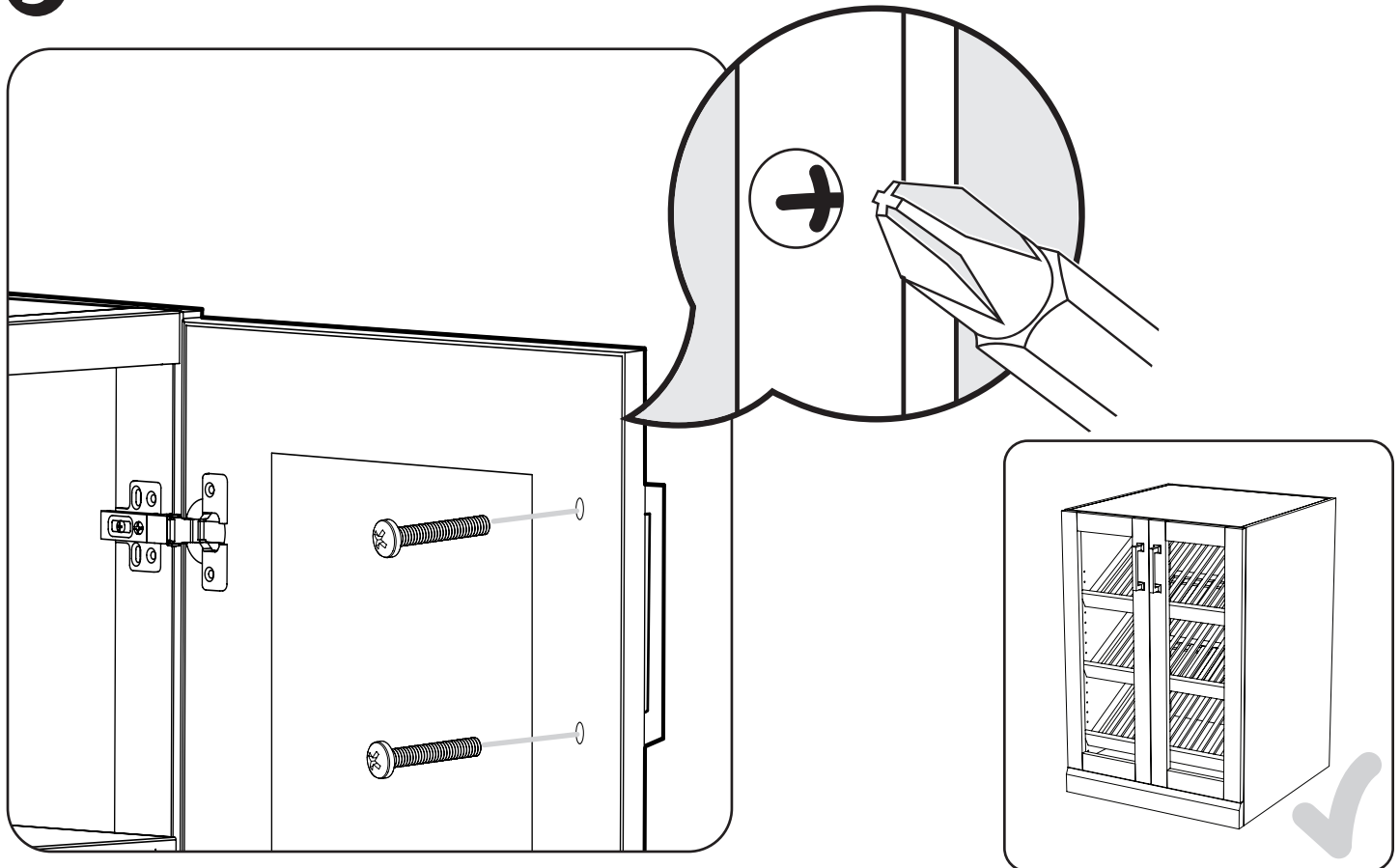
1 Parts Needed.



2 Align handle to holes on doors or drawers.



3 Screw in bolts.

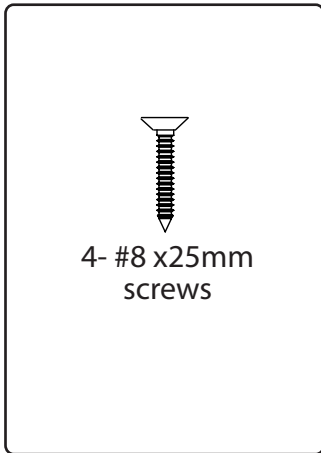


Fastening Cabinets

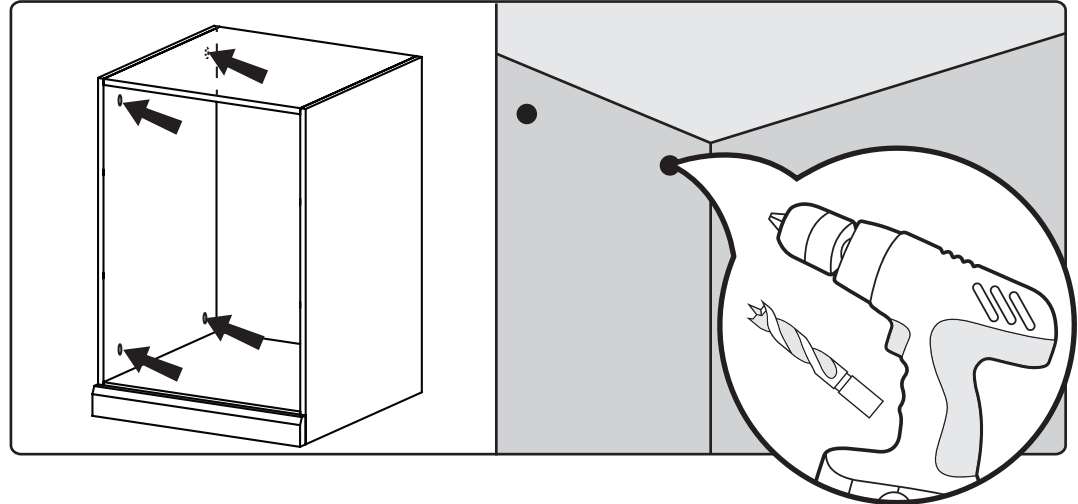
Note:

All shelves must be removed prior to fastening cabinets together.

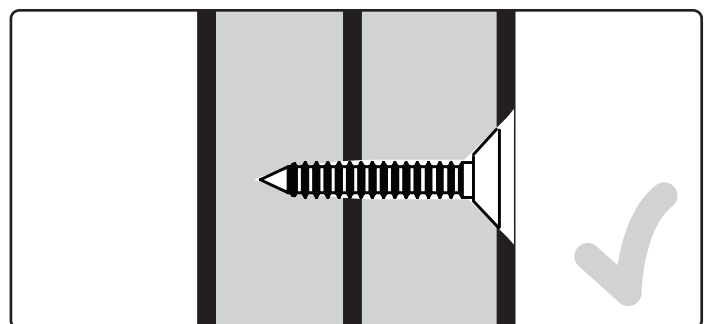
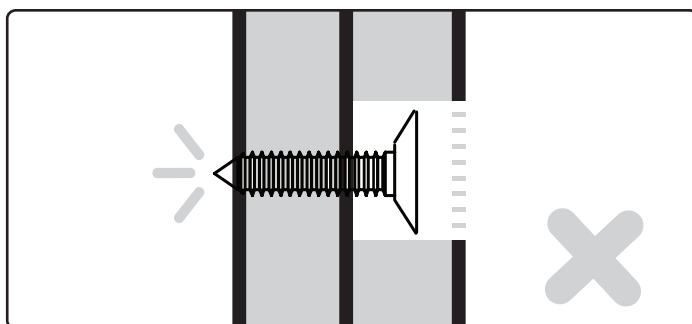
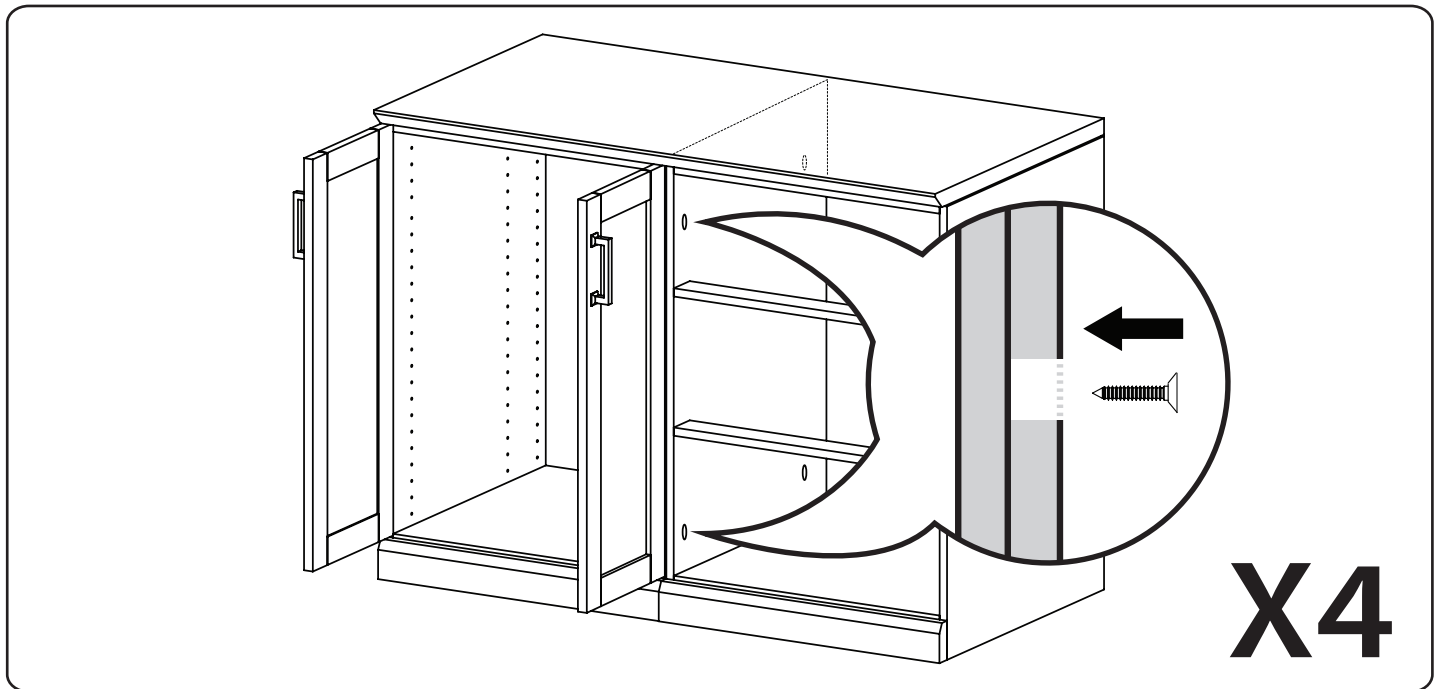
4 Parts Needed.



5 Drill 3/32" pilot holes on interior wall of cabinet being fastened.

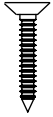


6 Using pilot hole as guides, screw into second cabinet. Do not over-tighten screws and punch through other side!



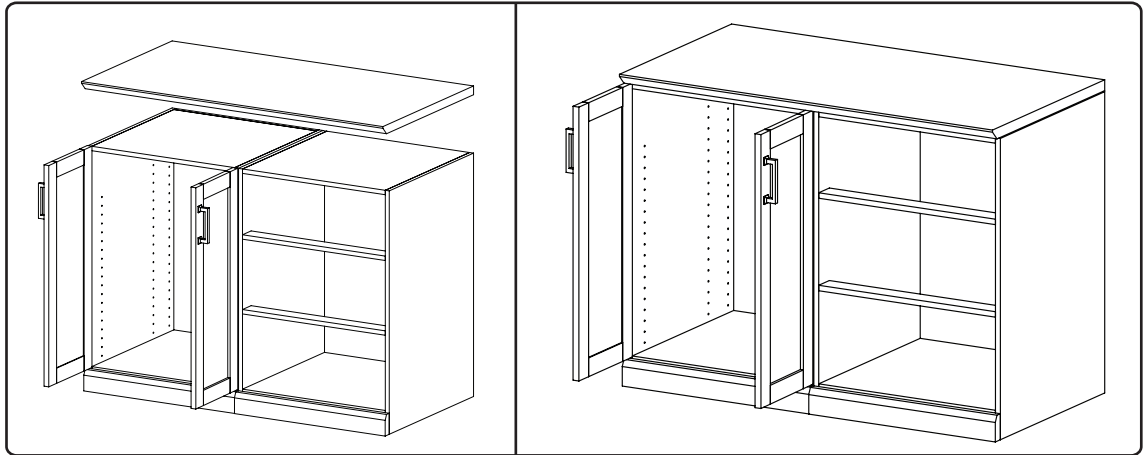
Mounting the Worktop

7 Parts Needed.

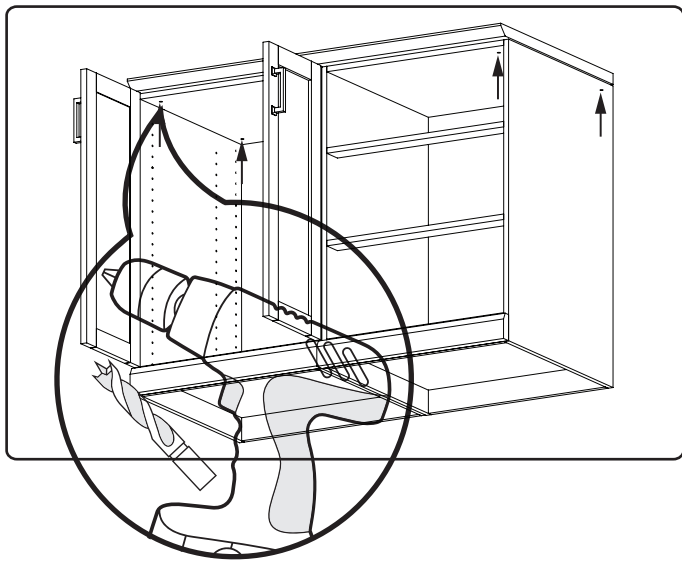


4- #8 x25mm screws

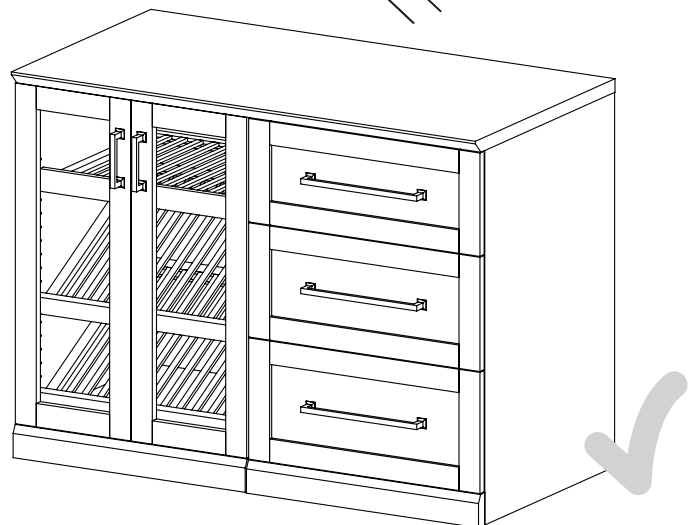
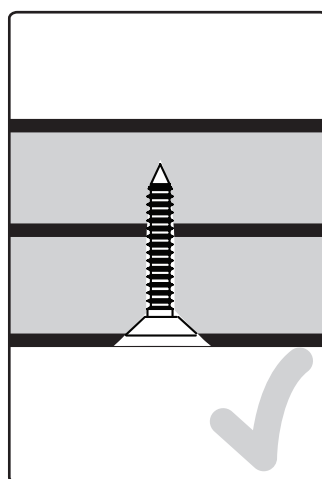
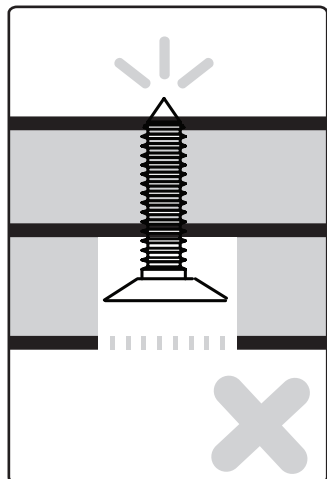
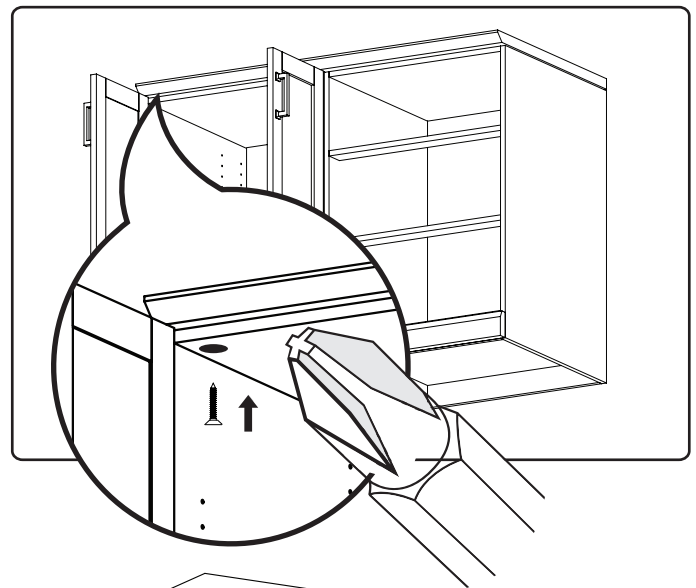
8 Place worktop over cabinets and lower onto cabinets.



9 Drill 3/32" pilot holes on interior roof of cabinet.

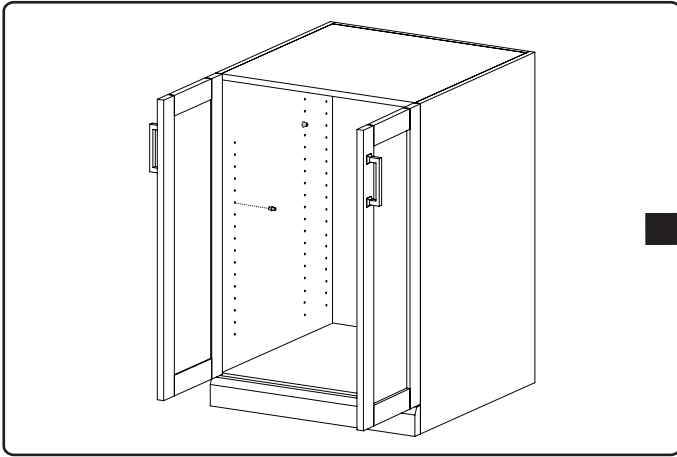


10 Tighten screws to secure cabinets.

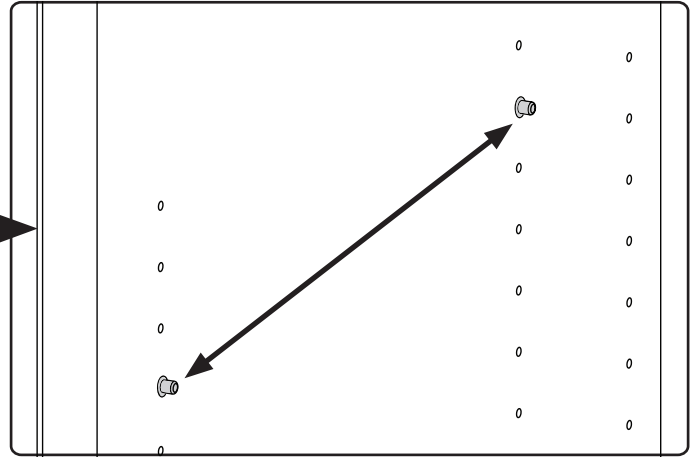


Inserting Cabinets Shelves on an angle

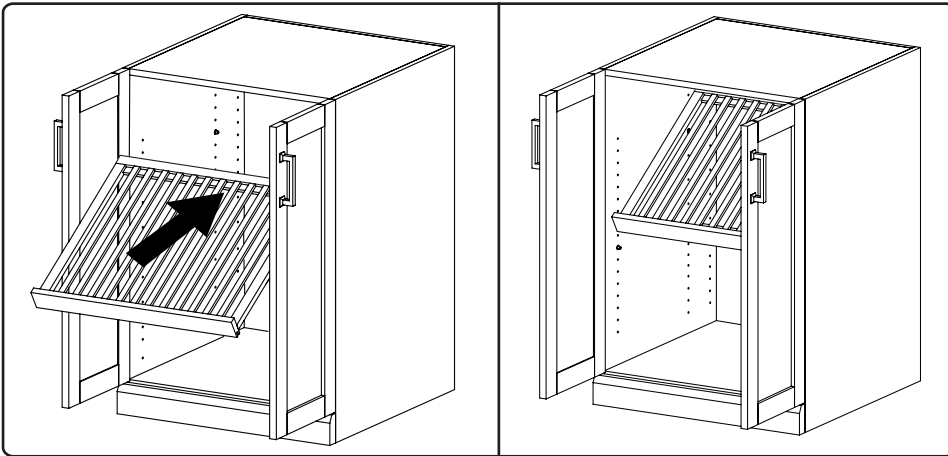
11 Open cabinet doors. Attach shelf clips to desired height.



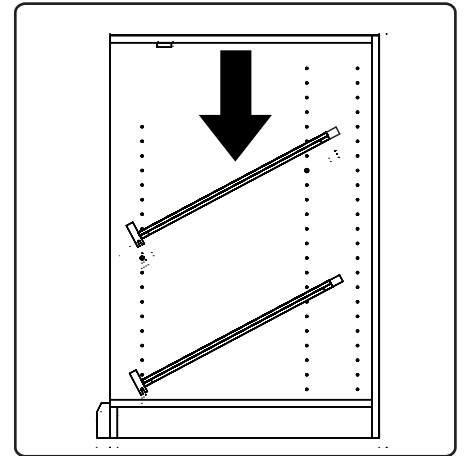
12 The shelf supports are inserted into front and middle hole positions.



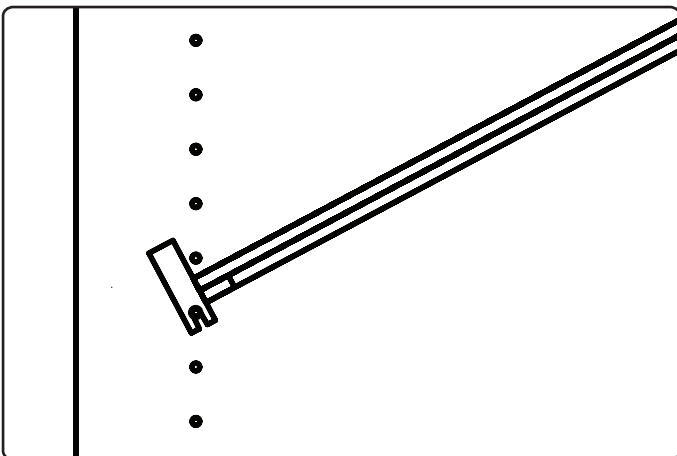
13 Insert rack at a slight angle and position over shelf supports.



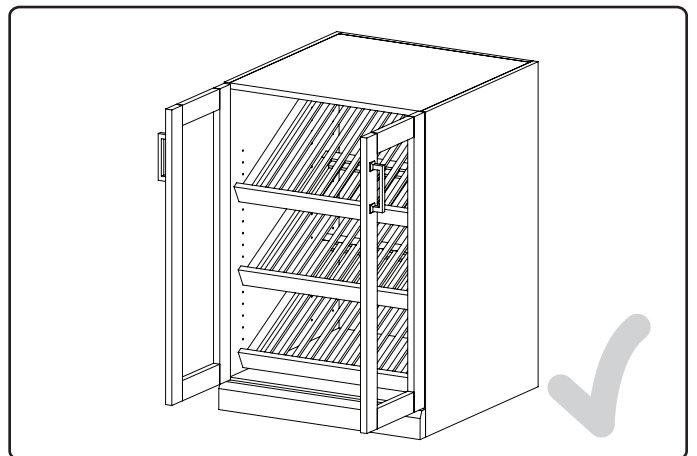
14 Lower shelf down onto shelf supports.



15 Ensure shelf supports sits in groove on lower edge of rack.

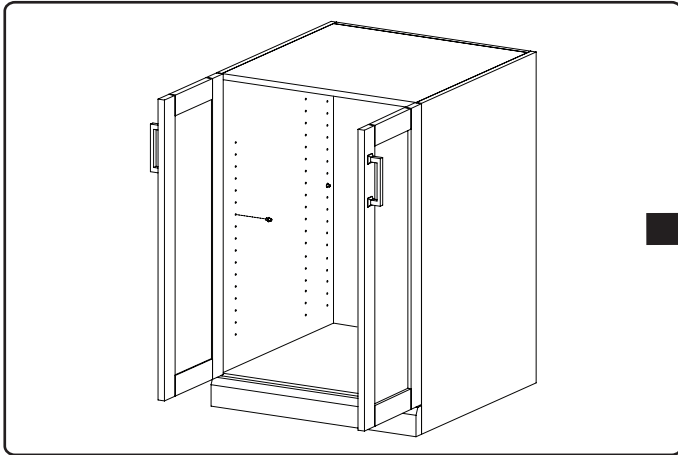


16 Insert remaining shelves.

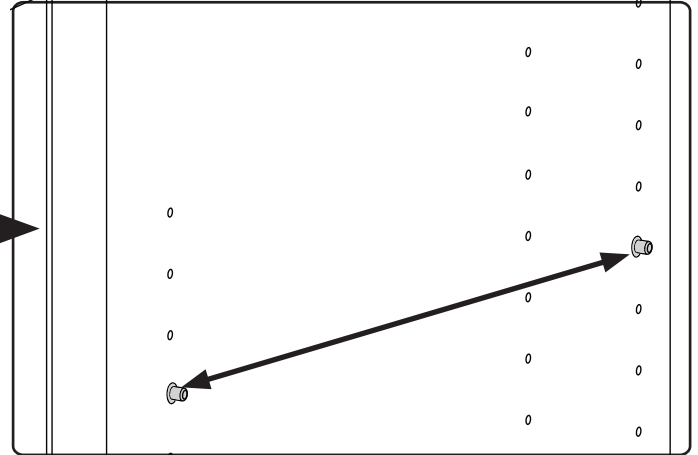


Inserting Cabinets Shelves Horizontal

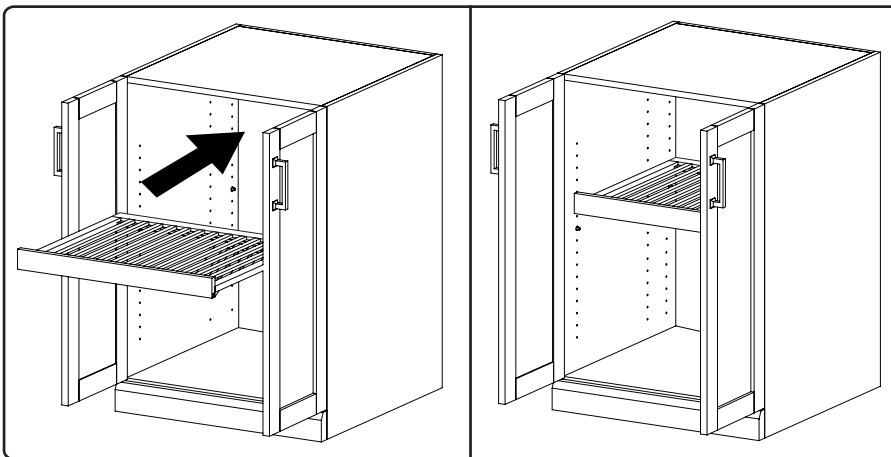
17 Open cabinet doors. Attach shelf clips to desired height.



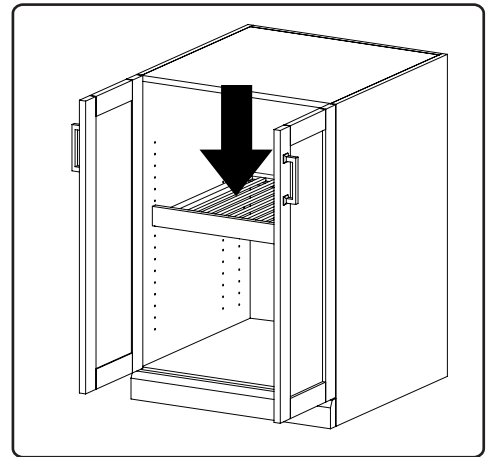
18 The shelf supports are inserted into front and back holes.



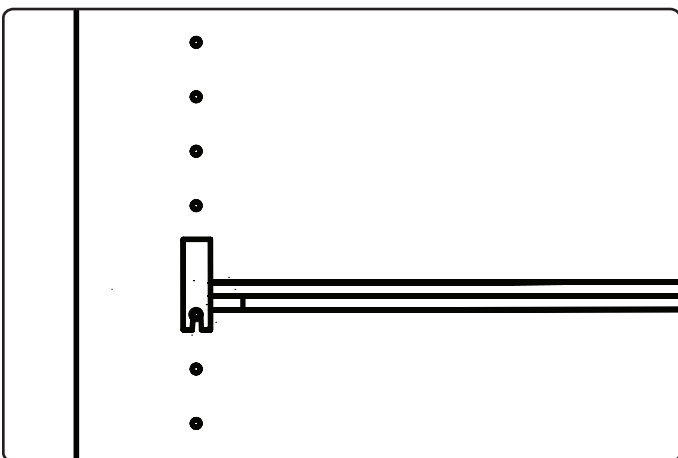
19 Insert rack at a slight angle and position over shelf supports.



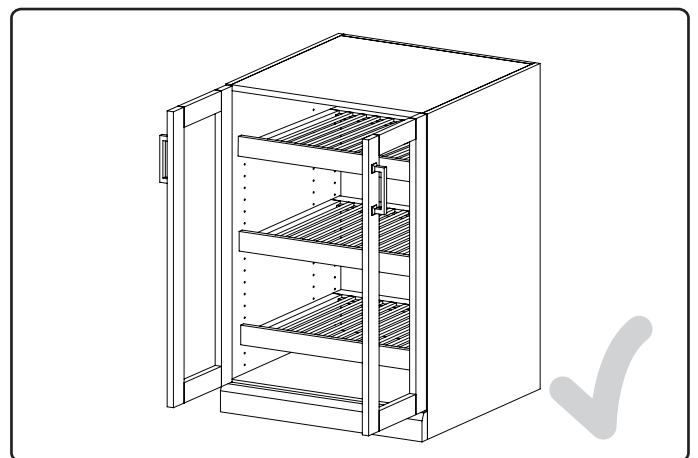
20 Lower shelf down onto shelf supports.



21 Lower shelf down onto shelf supports.



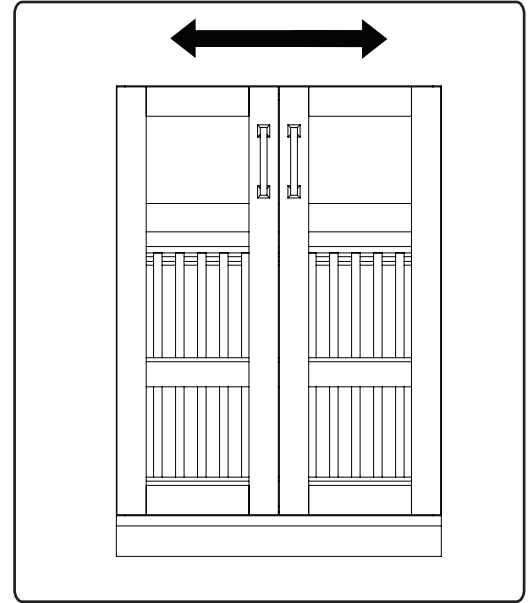
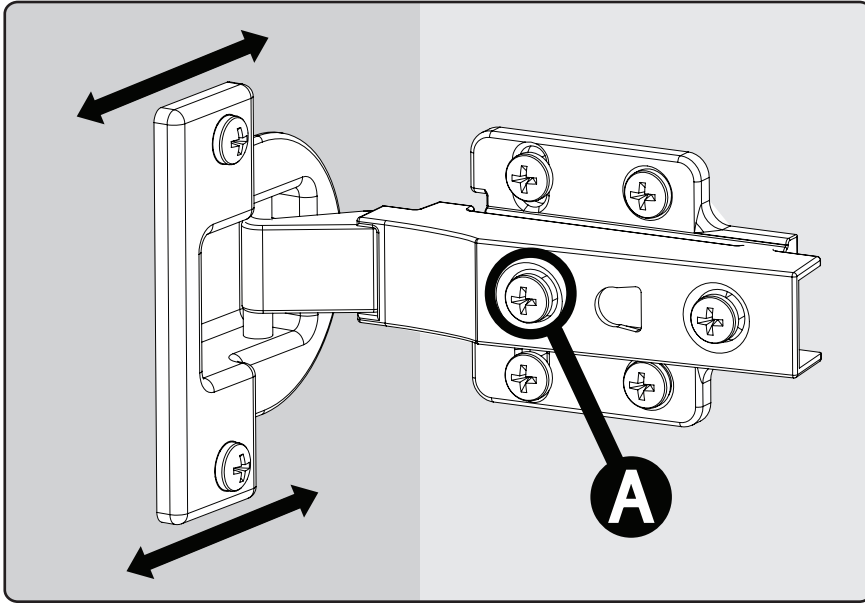
22 Insert remaining shelves.



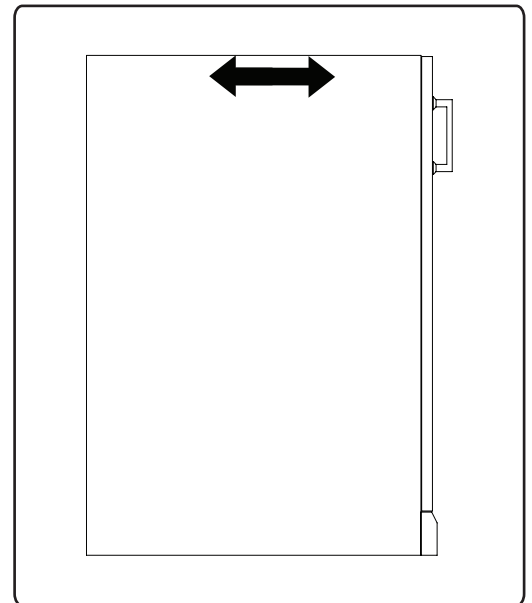
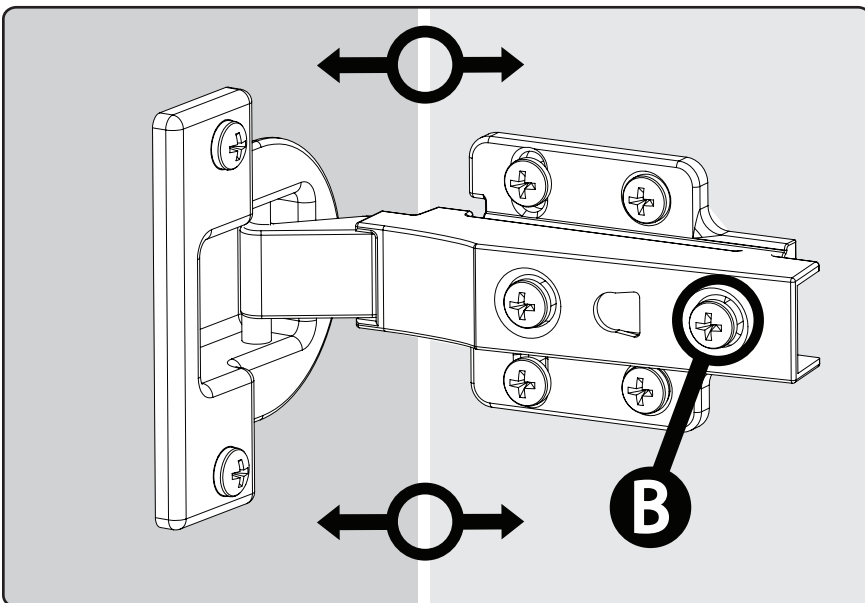
Adjusting The Door Hinges

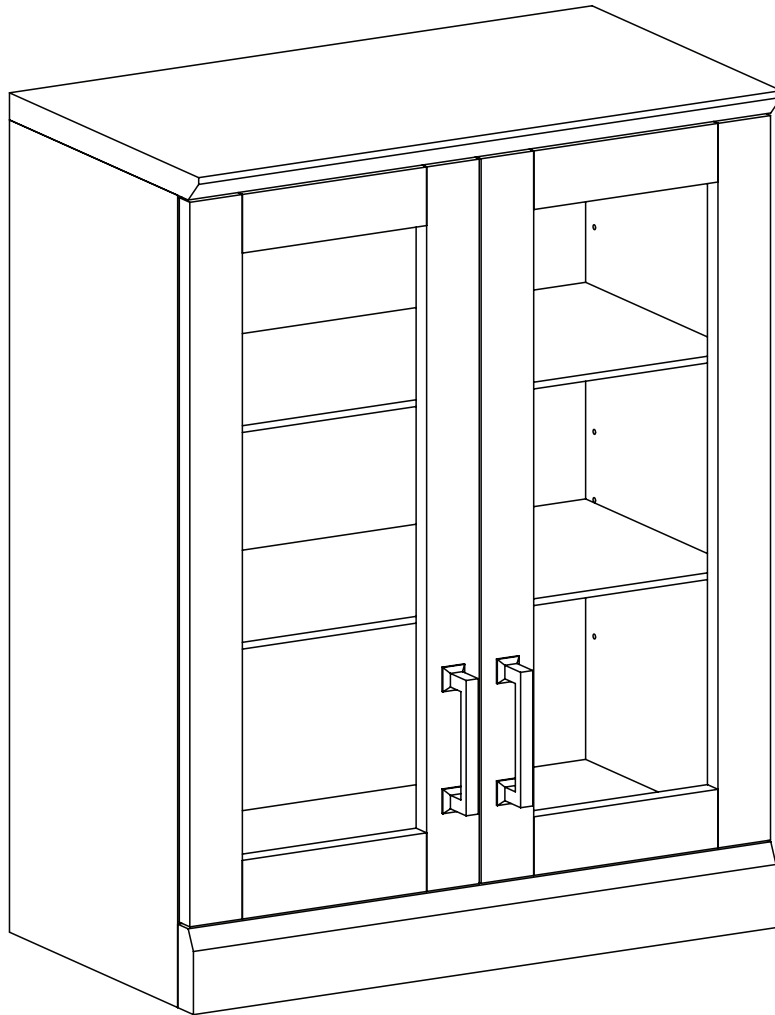
Using a Philips screwdriver, the doors can be adjusted:
Left, right, forwards and backwards.

23 To adjust the doors left or right, turn the screw (A) clockwise or counterclockwise.



24 To adjust the gap between the doors and frame, turn the screw (B) clockwise or counterclockwise.





HOME BAR SERIES

SHORT WALL DISPLAY



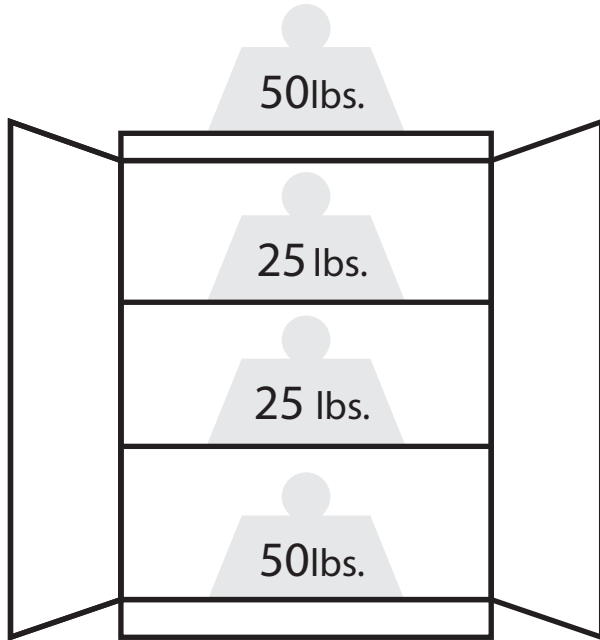
Warning: Excessive weight hazard!

Use two or more people to move, assemble or install cabinets to avoid back injury.

Do not leave children unattended near cabinets. High risk of tipping if cabinets are installed incorrectly: securely attach cabinets to the wall to avoid serious injury.

For assistance, call 1.877.306.8930; for UK 0800.031.4069; e-mail at info@newageproducts.com

Weight Capacity



Short Display Cabinet
Max 150lbs.

Countertops

(for Base cabinets only)



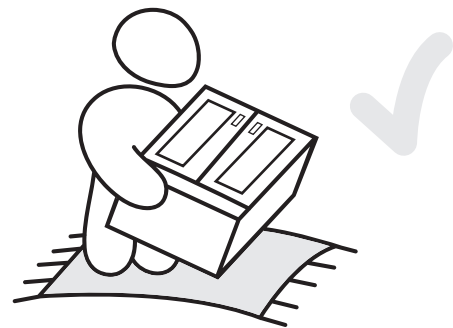
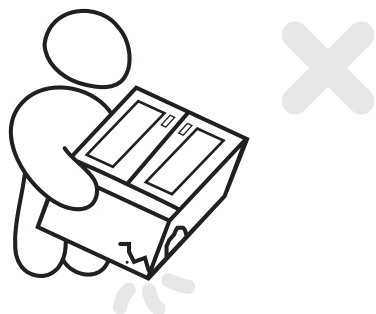
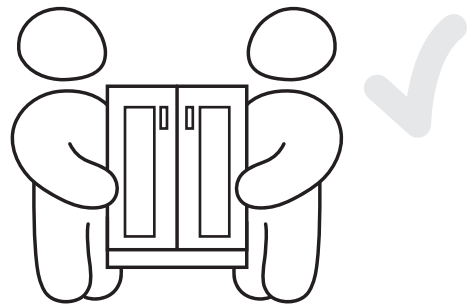
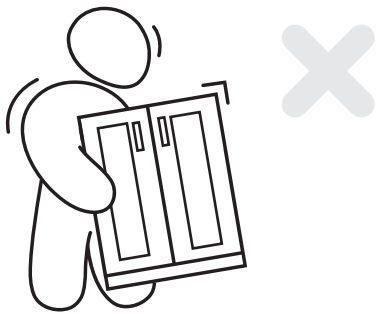
48" Countertop. Fits over 2 Cabinets



72" Countertop. Fits over 3 Cabinets



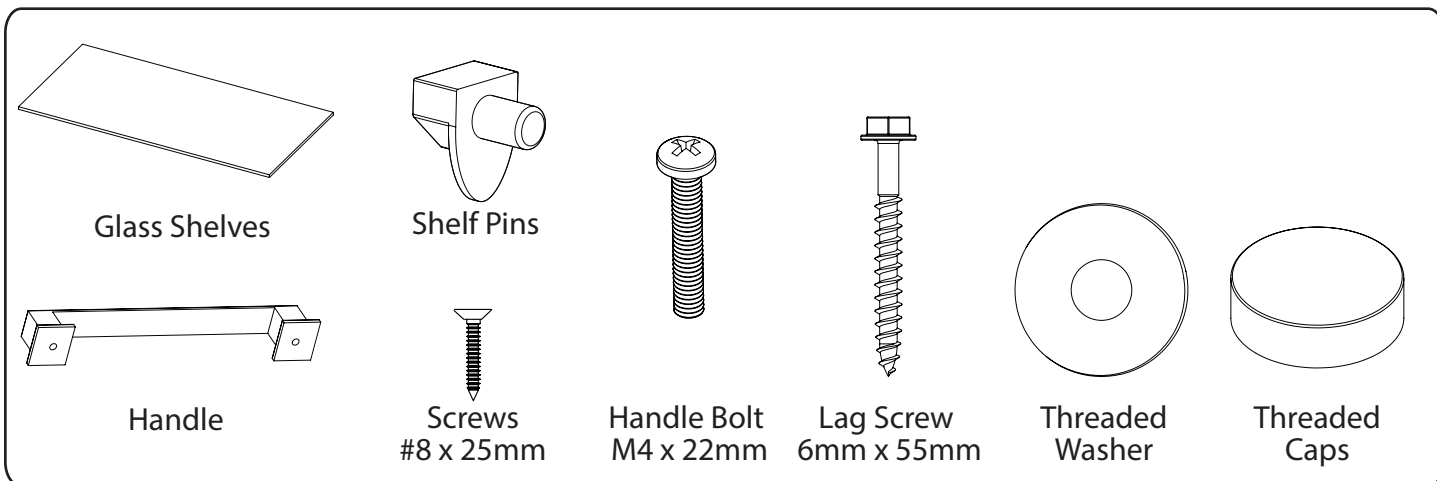
96" Countertop. Covers over 4 Cabinets



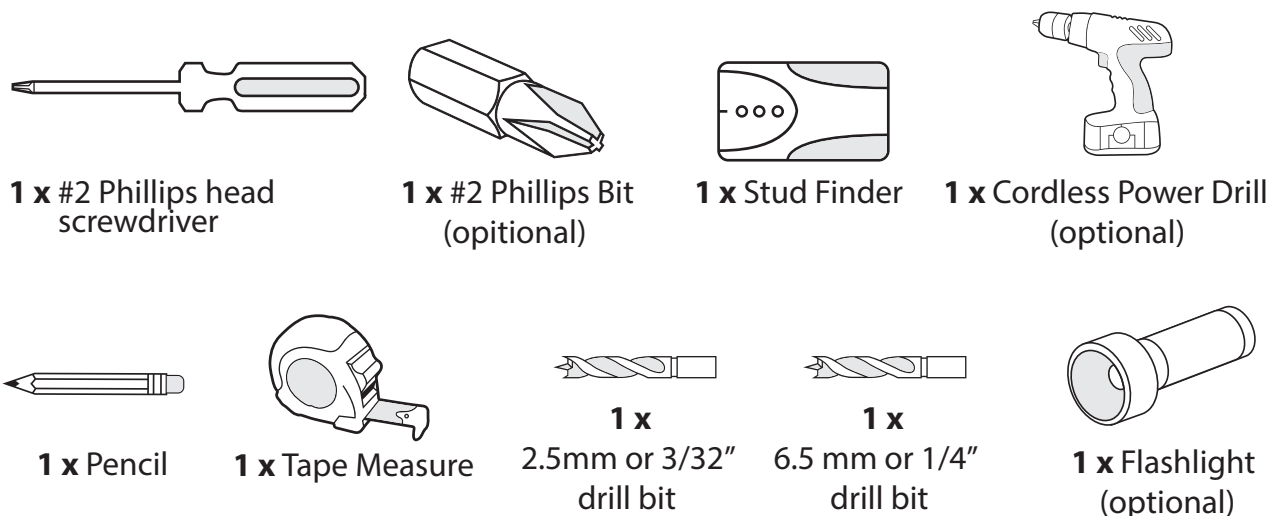
Unpacking

- Begin by placing the package on a covered flat surface.
- Remove all cardboard, foam packaging material and clear plastic bags.
- Dispose / recycle all packaging materials.
- Verify all the contents in the box and gather the required tools.
- See "Parts" and "Tools Needed" in the list below.

Parts Supplied	Tall Wall Display Cabinet
Threaded Caps	4
Threaded Washer	4
Handles	2
Handle Bolts (M4 x 22mm)	2
#8 x 25mm Screws	4
Lag Screw (6 mm x 55 mm)	4
Glass Shelves	2
Shelf Pins	10



Tools Needed

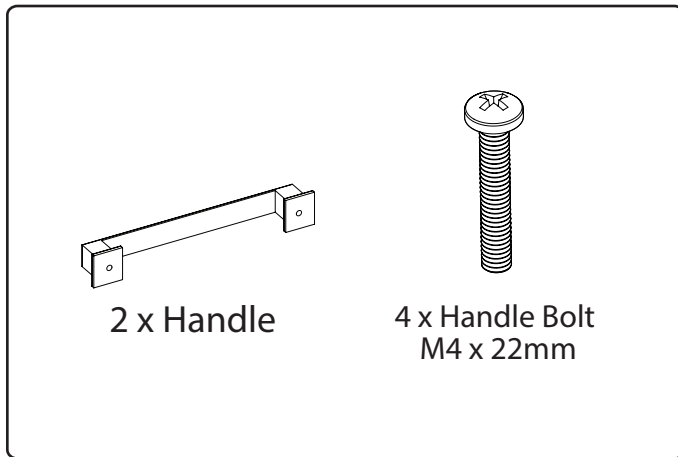


Installing the Handles

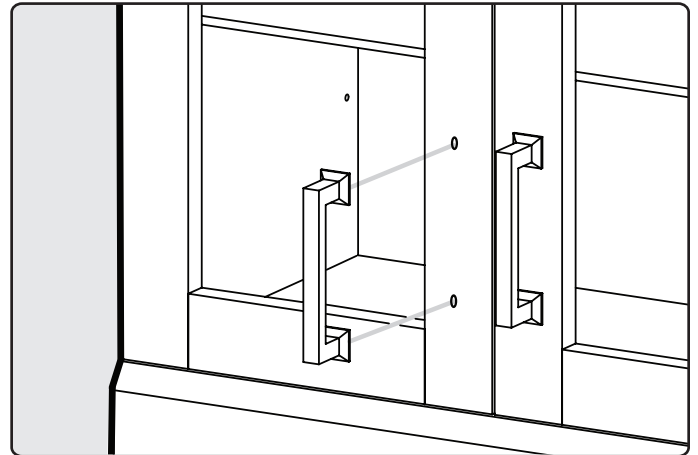
Note:

Cabinets come with handles installed on inside of drawers/doors.

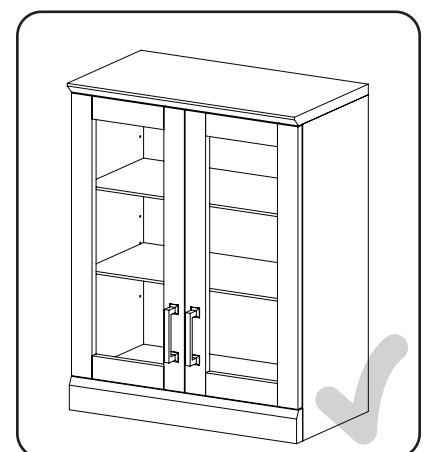
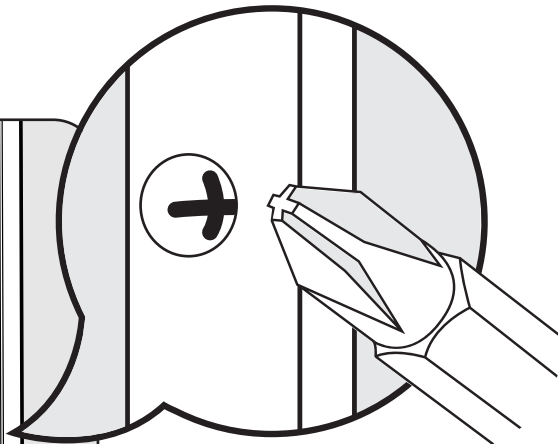
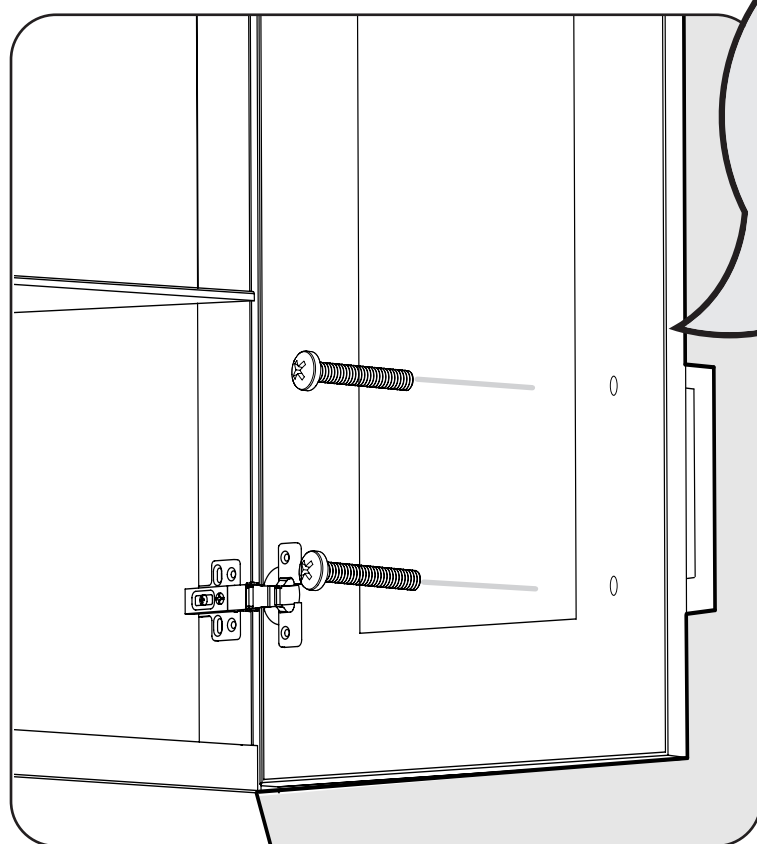
1 Parts Needed.



2 Align handle to holes on doors or drawers.

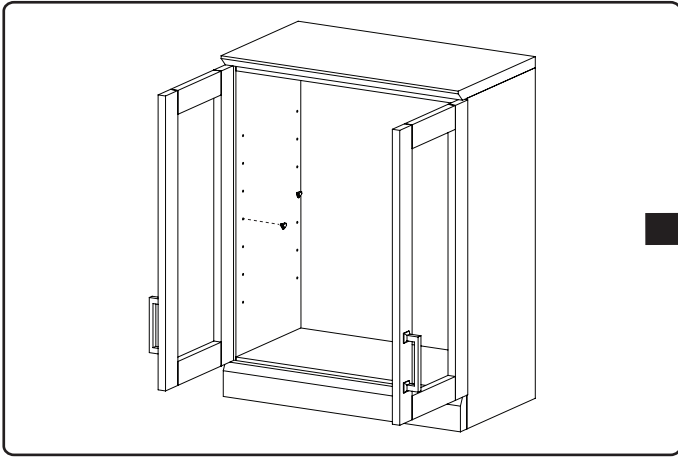


3 Screw in bolts.

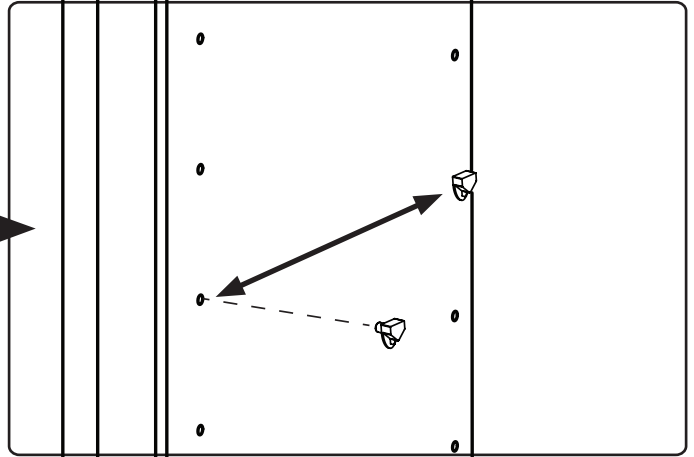


Inserting Glass Shelves

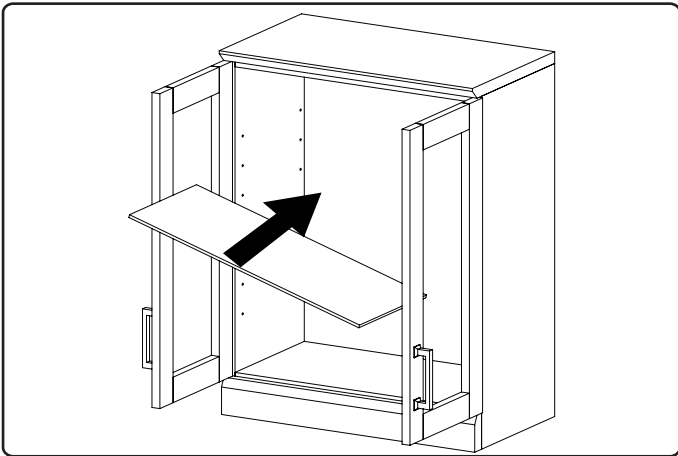
4 Open cabinet doors. Install shelf pins at desired height.



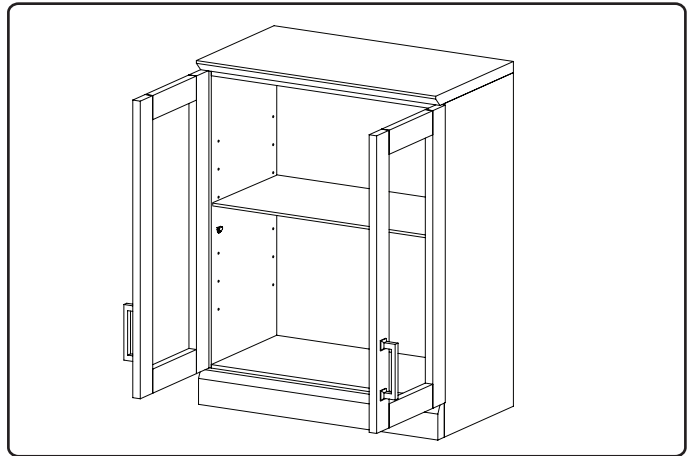
5 Ensure pins are installed at level height.



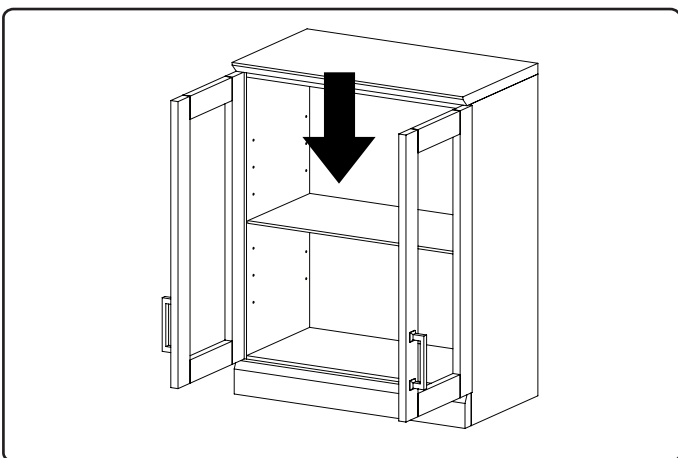
6 Insert glass shelf at a slight angle.



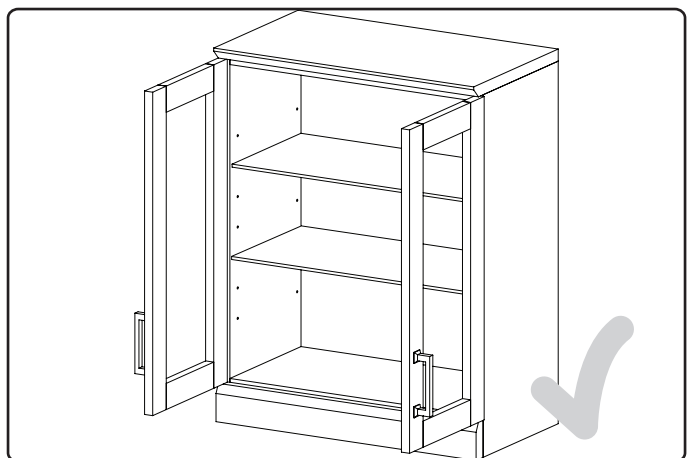
7 Position over shelf supports.



8 Lower shelf down onto shelf supports.

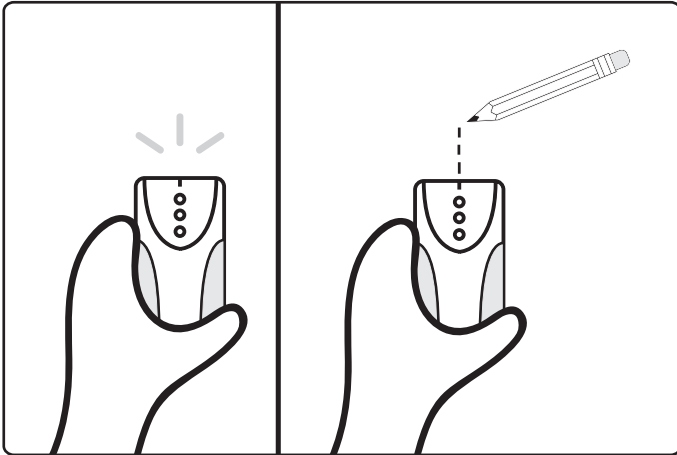


9 Repeat steps 1-4 for second shelf.

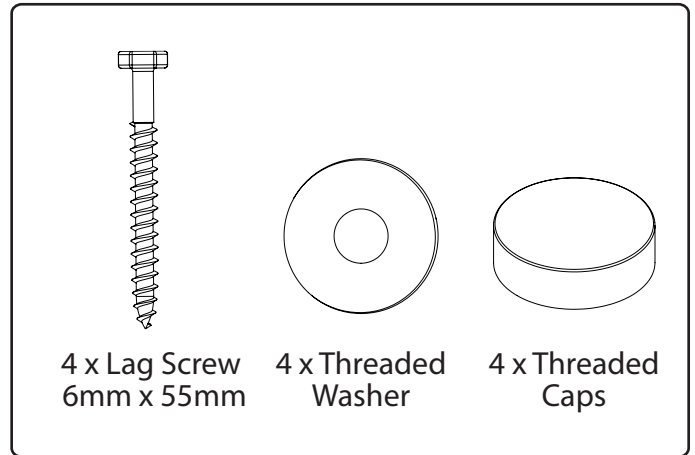


Mounting Cabinets

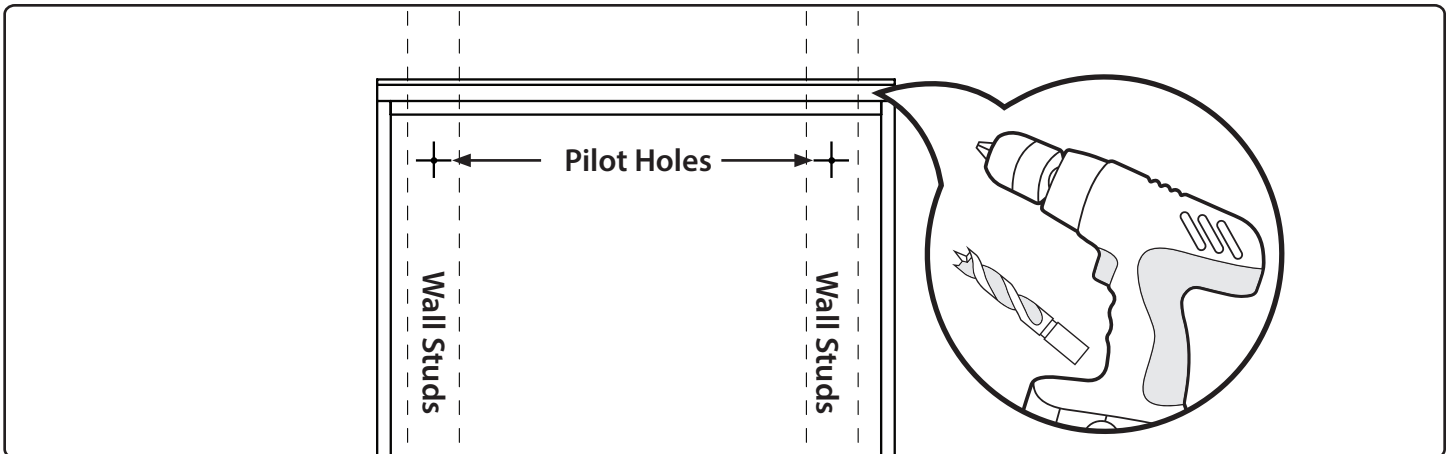
- 10** Use stud finder to locate the studs and mark the wall with a pencil.



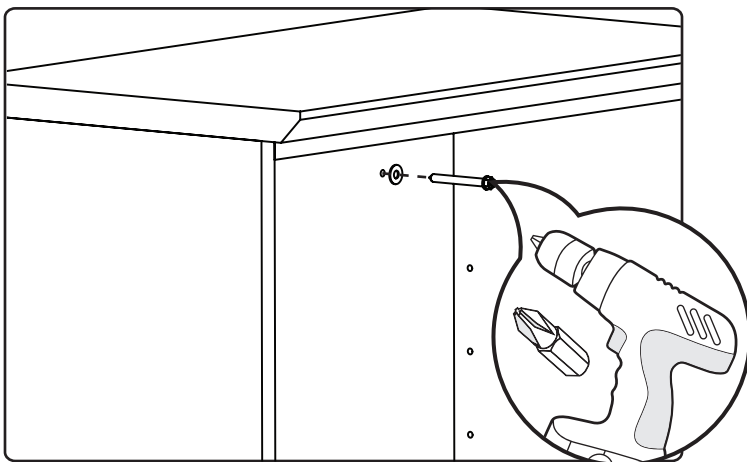
- 11** Gather parts.



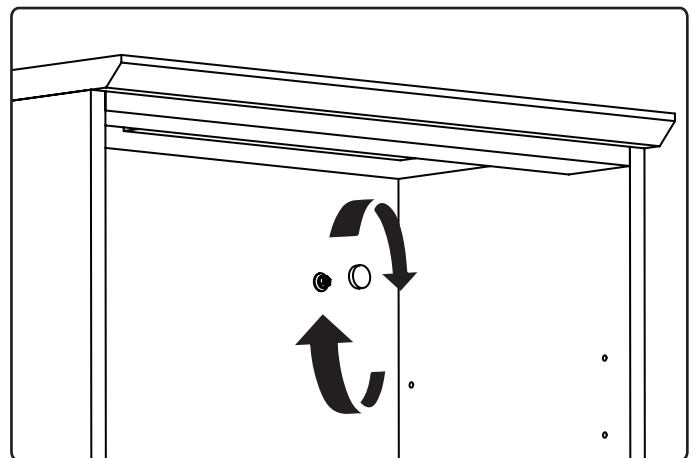
- 12** Near the top of the cabinet, drill 1/4" holes through the back of the cabinet that are in line with marked studs. Repeat for drilling two holes near the bottom of the cabinet.



- 13** Place cabinet flush against wall and attach using screws and washers.



- 14** Use threaded caps to cover screws.

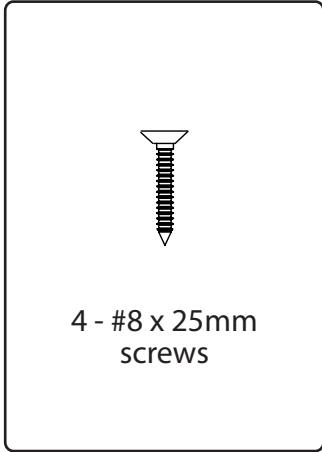


Fastening Cabinets

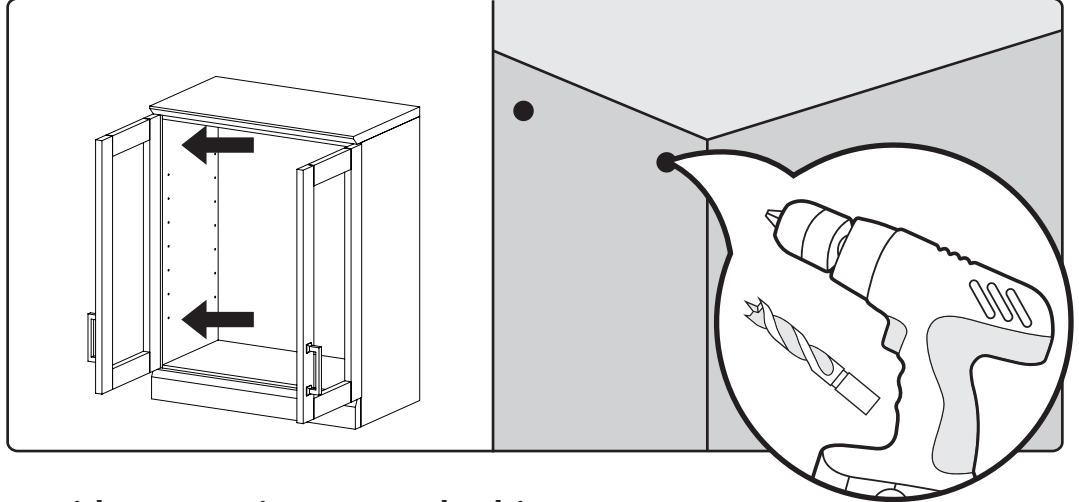
Note:

All shelves must be removed prior to fastening cabinets together.

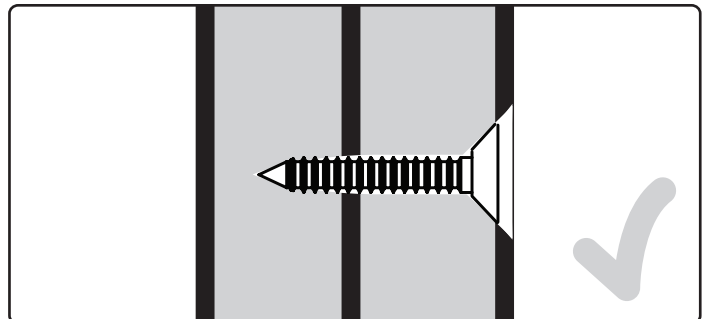
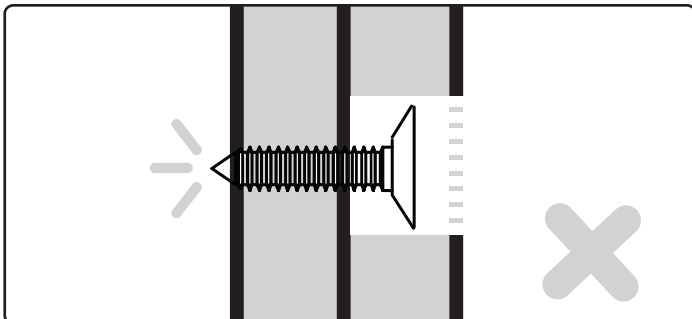
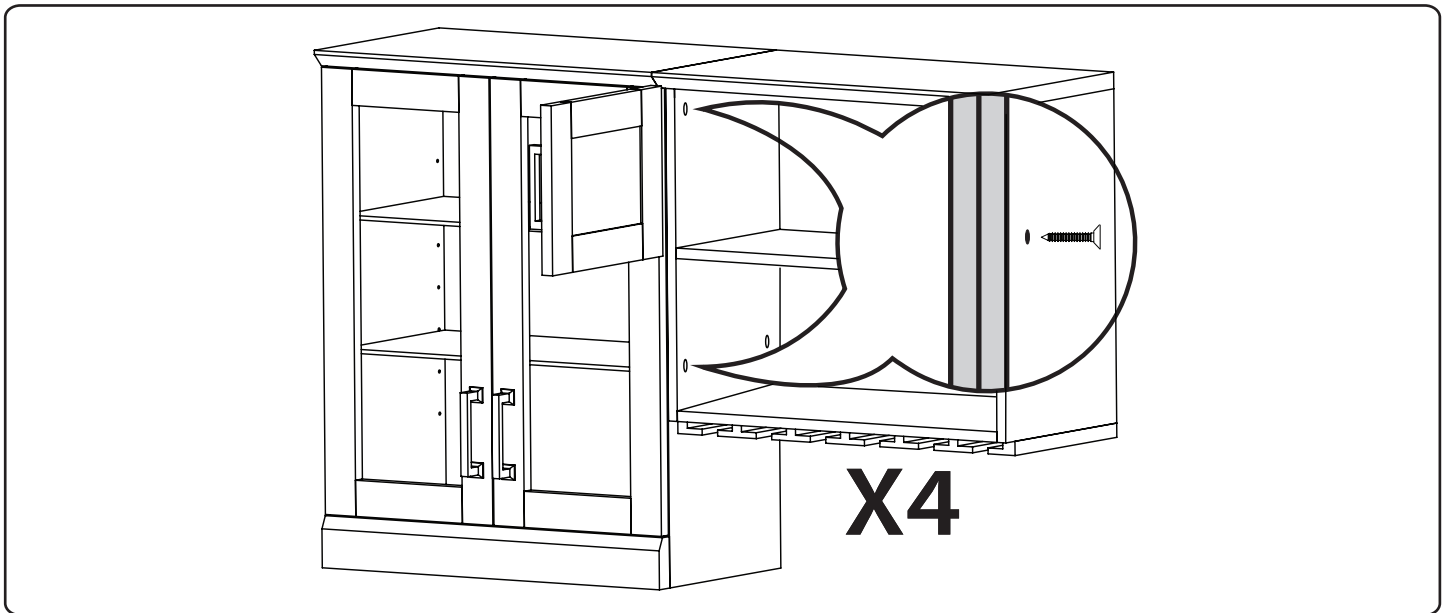
15 Parts Needed.



16 Drill 3/32" pilot holes on interior wall of cabinet being fastened.



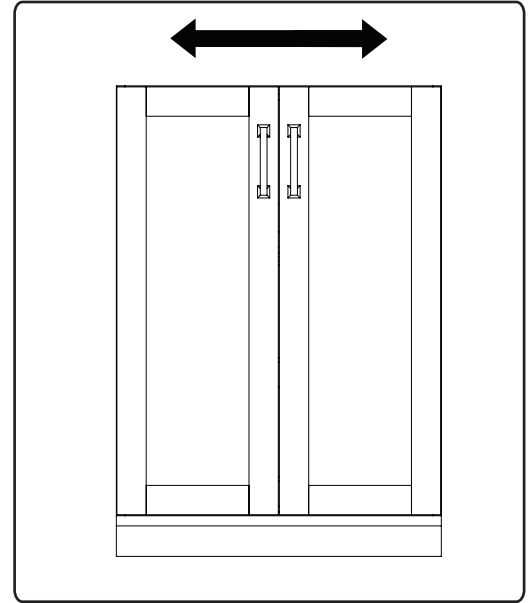
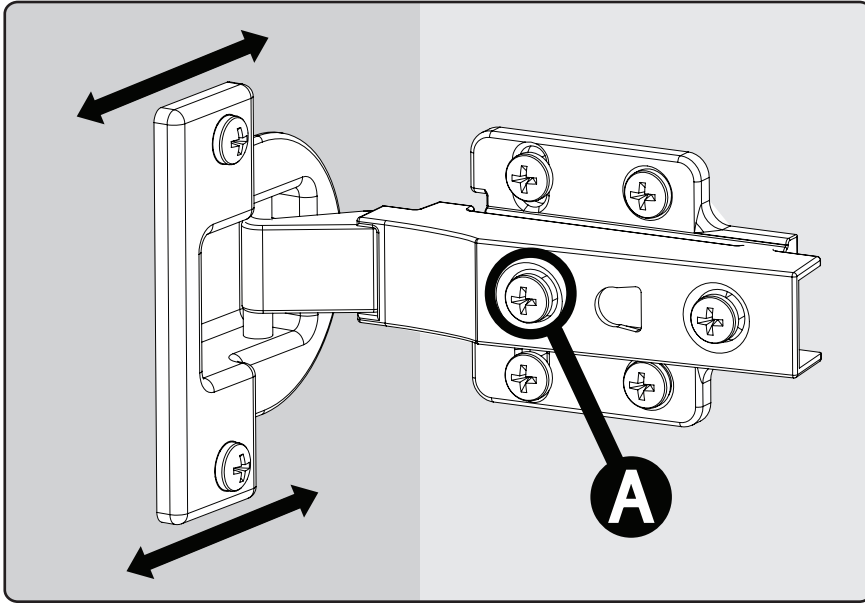
17 Using pilot hole as guides, screw into second cabinet. Do Not Over-tighten screws and Punch through other side!



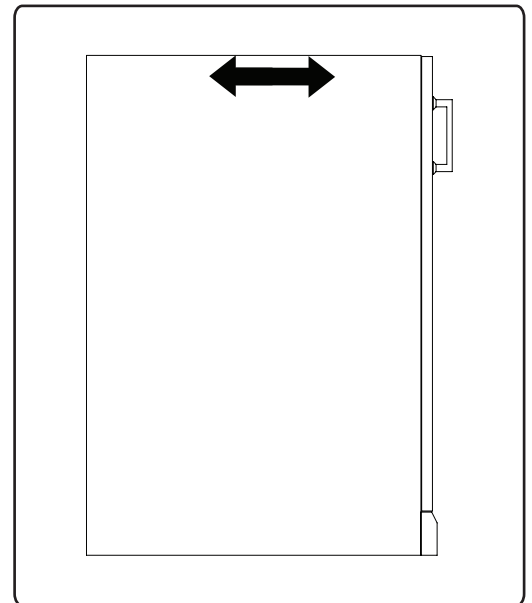
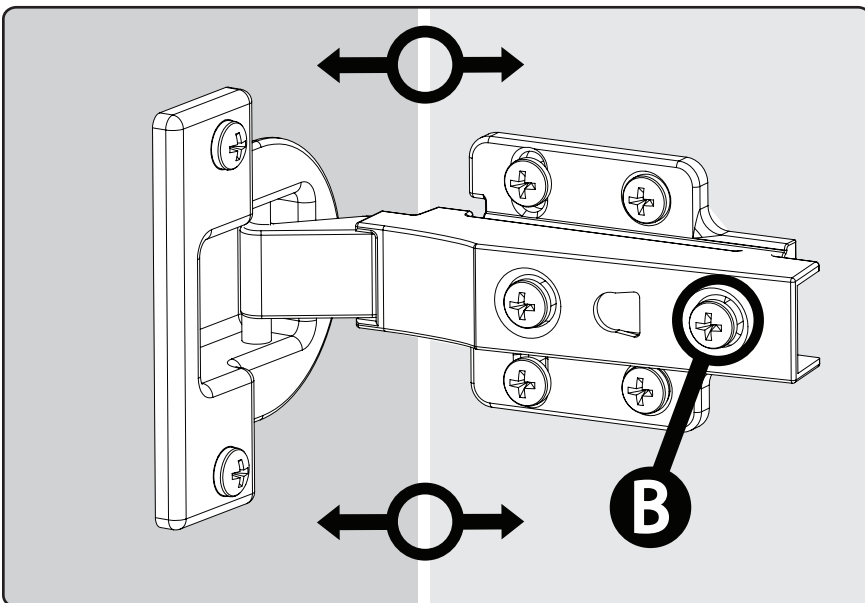
Adjusting The Door Hinges

Using a Philips screwdriver, the doors can be adjusted:
Left, right, forwards and backwards.

18 To adjust the doors left or right, turn the screw (A) clockwise or counterclockwise.



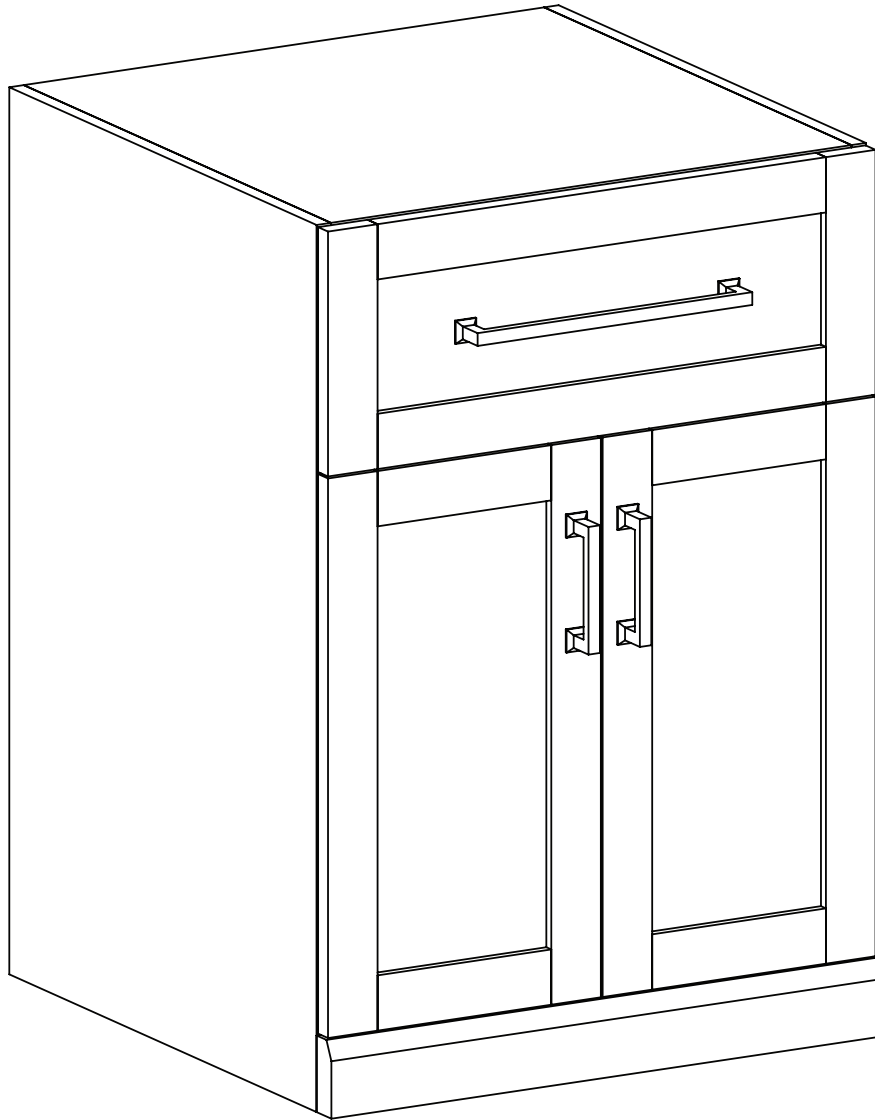
19 To adjust the gap between the doors and frame, turn the screw (B) clockwise or counterclockwise.



Thank you for purchasing a NewAge Product!

Please give us a call or visit online if you have any questions.

Call 1.877.306.8930; for UK 0800.031.4069; e-mail at info@newageproducts.com



HOME BAR SERIES SPLIT CABINET



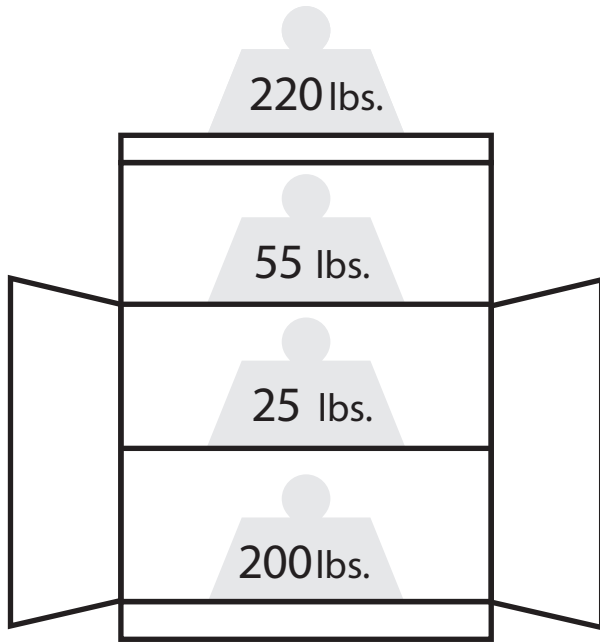
Warning: Excessive weight hazard!

Use two or more people to move, assemble or install wine cabinets to avoid back injury.

Do not leave children unattended near cabinets. High risk of tipping if cabinets are installed incorrectly: securely attach cabinets to the wall to avoid serious injury.

For assistance, call 1.877.306.8930; for UK 0800.031.4069; e-mail at info@newageproducts.com

Weight Capacity



Split
Base Cabinet
Max 500 lbs.

Countertops



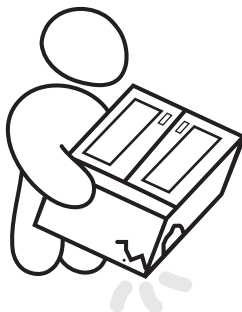
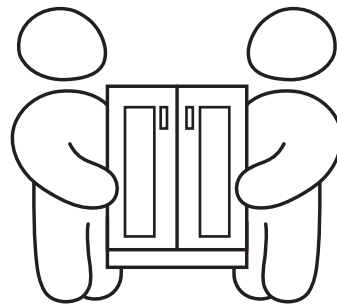
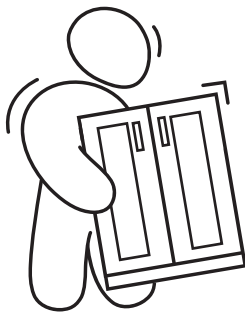
48" Countertop. Fits over 2 Cabinets



72" Countertop. Fits over 3 Cabinets



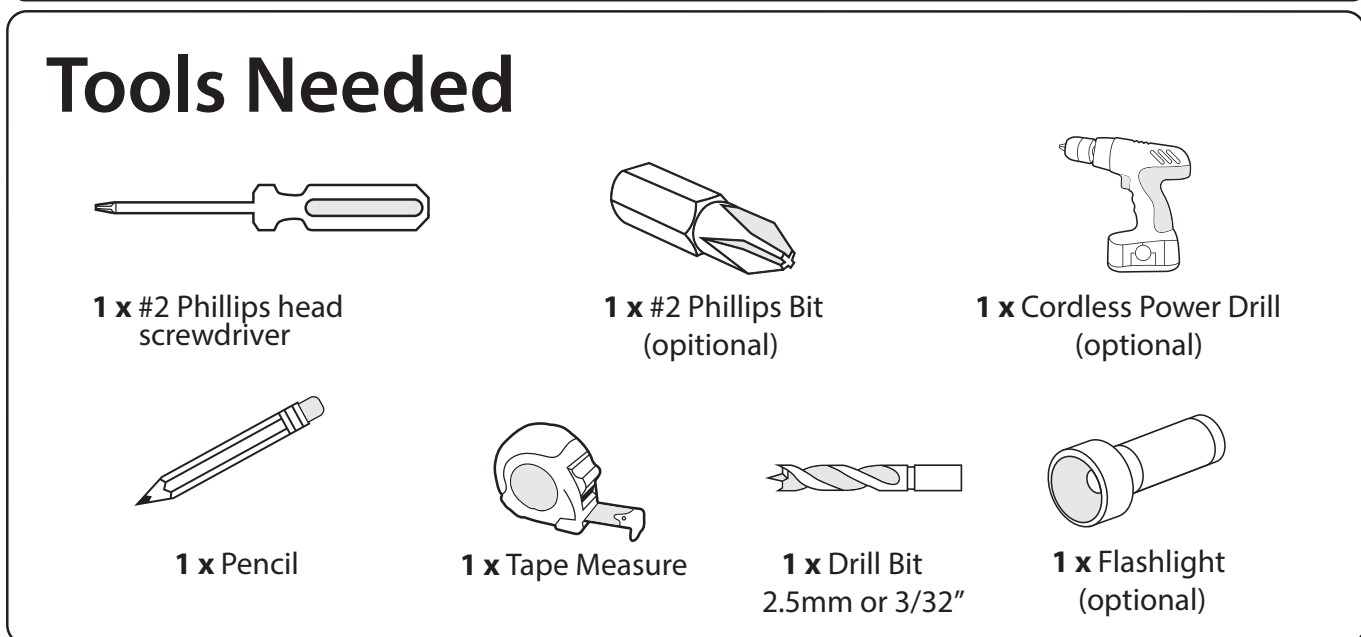
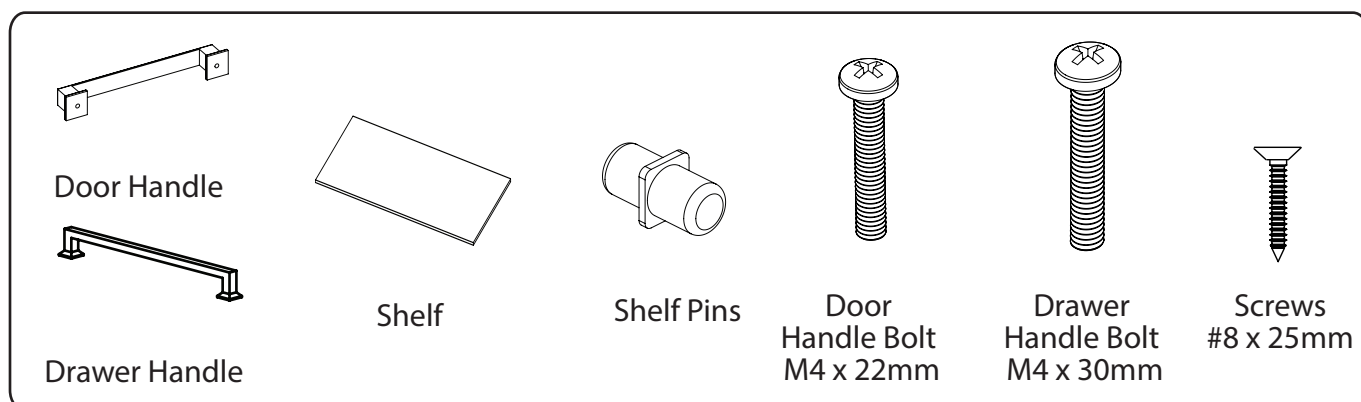
96" Countertop. Covers over 4 Cabinets



Unpacking

- Begin by placing the package on a covered flat surface.
- Remove all cardboard, foam packaging material and clear plastic bags.
- Dispose / recycle all packaging materials.
- Verify all the contents in the box and gather the required tools. See "Parts" and "Tools Needed" in the list below.

Parts Supplied	Split Cabinet
Door Handles	2
Drawer Handles	1
Handle Bolts for Doors (M4x22mm)	4
Handle Bolts for Drawers (M4x30mm)	2
#8 x 25mm Screws	6
Shelf	1
Shelf Clips	6

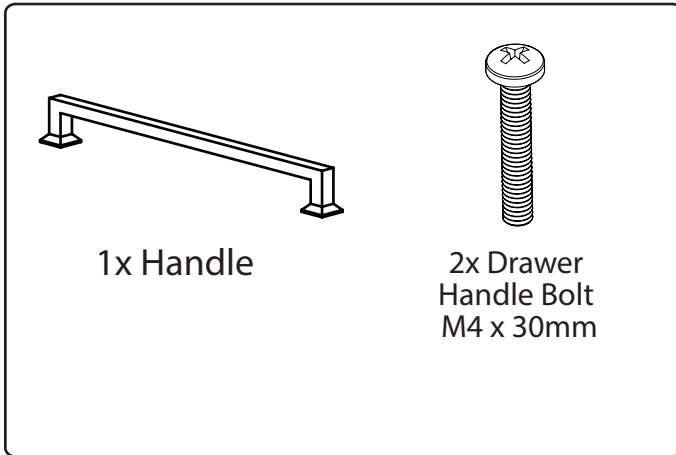


Installing Drawer Handle

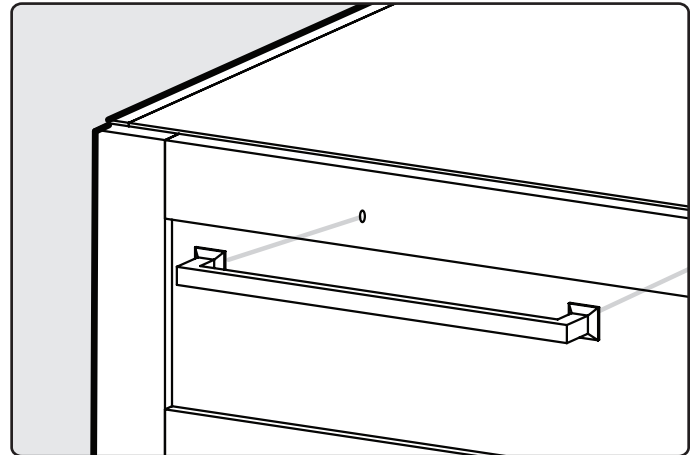
Note:

Cabinets come with handles installed on inside of drawers/doors.

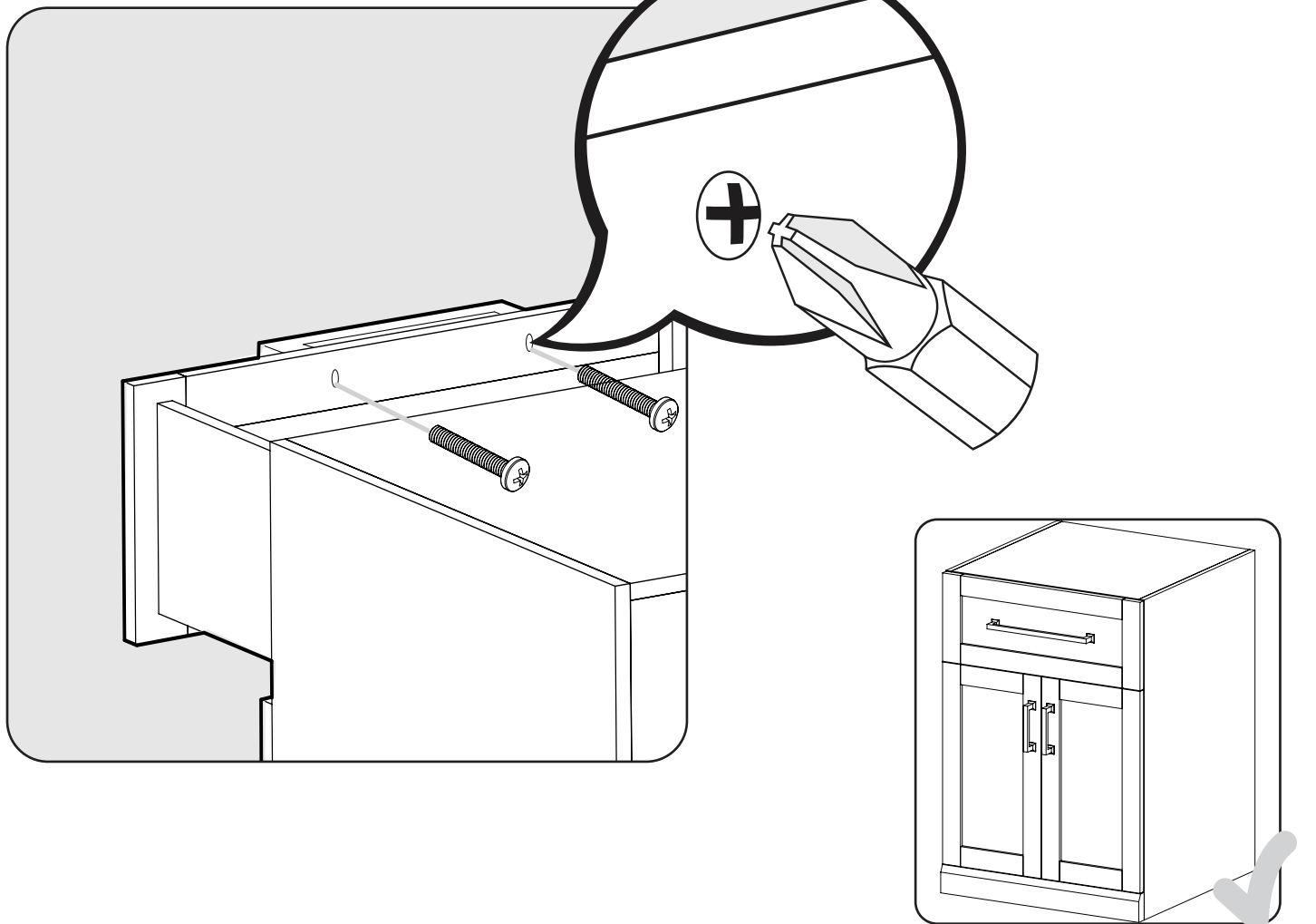
1 Parts Needed.



2 Align handle to holes on doors or drawers.

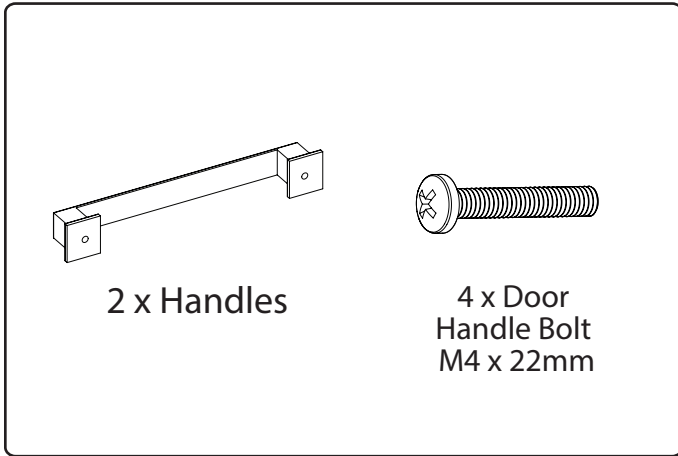


3 Screw in bolts.

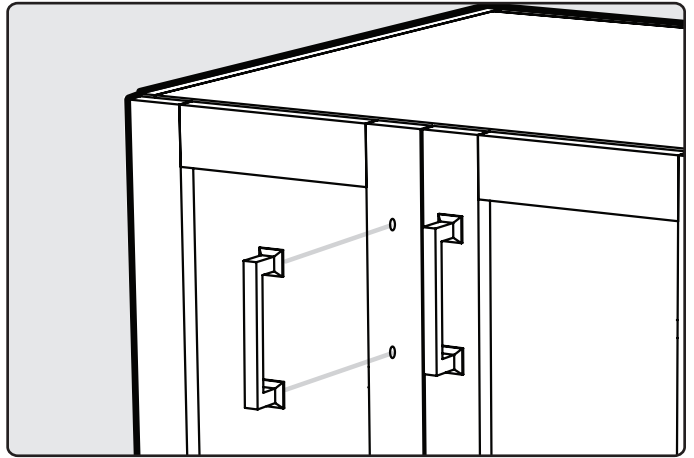


Installing the Handles

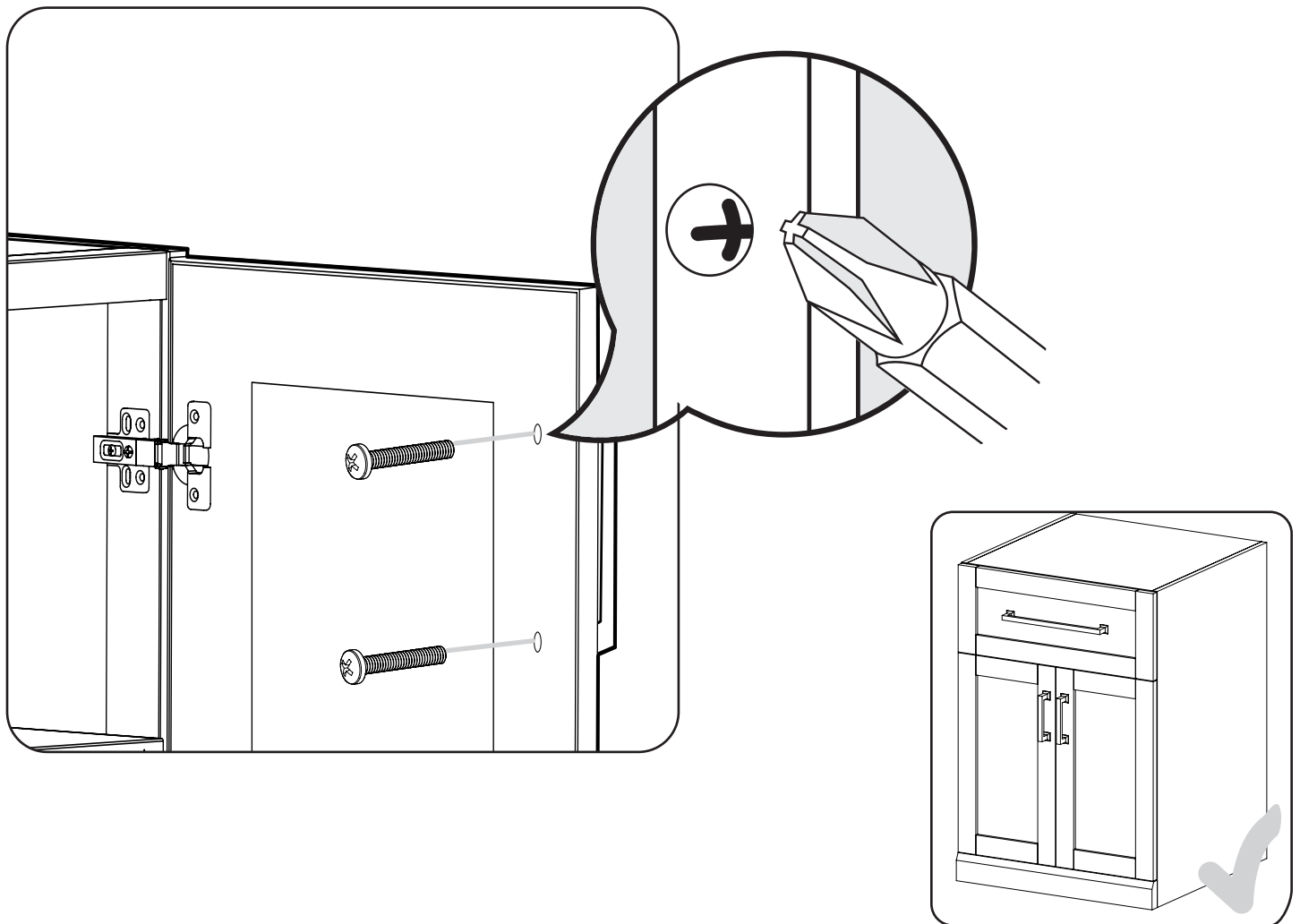
4 Parts Needed.



5 Align handle to holes on doors or drawers.

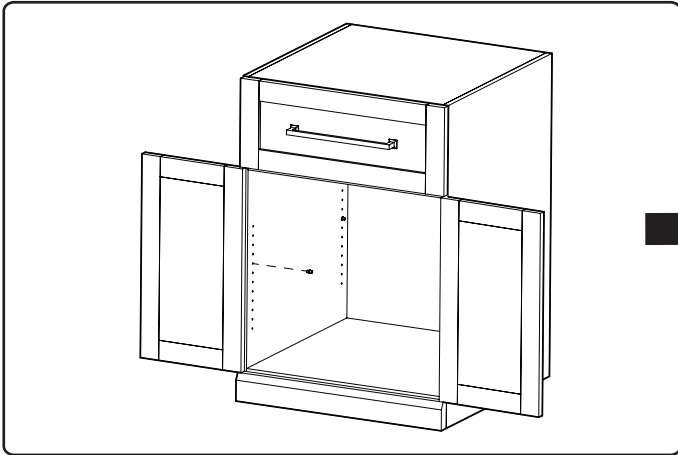


6 Screw in bolts.

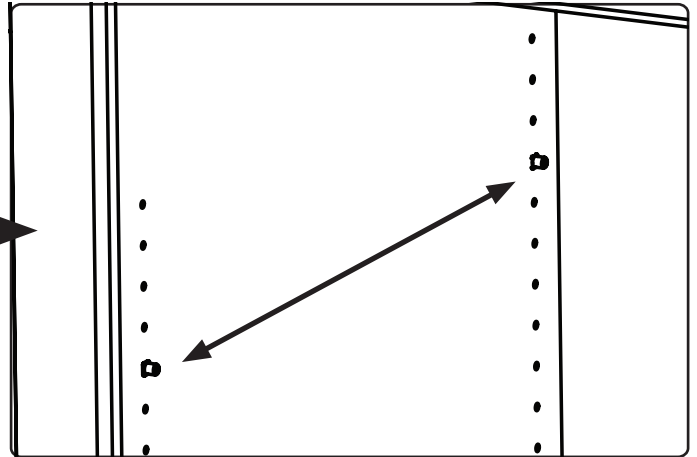


Inserting Shelf

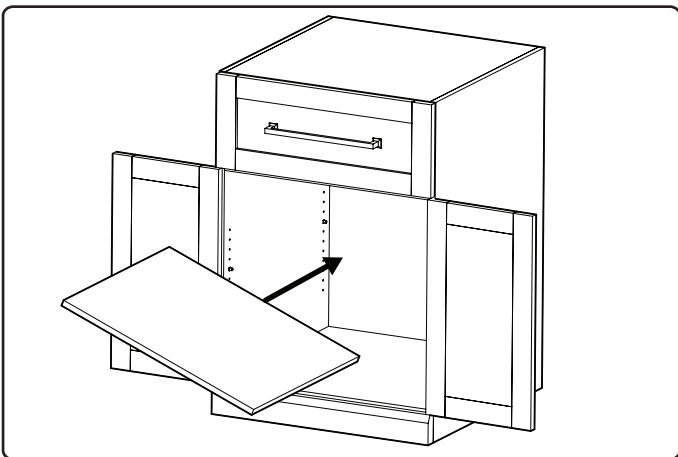
1 Open cabinet doors. Attach shelf clips to desired height.



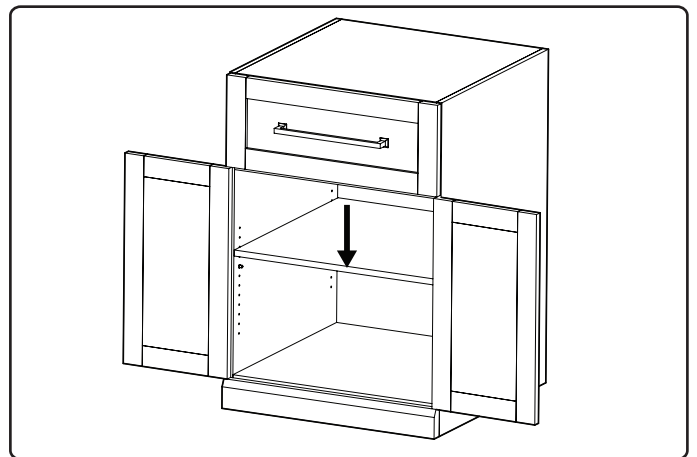
2 Ensure clips are at level height.



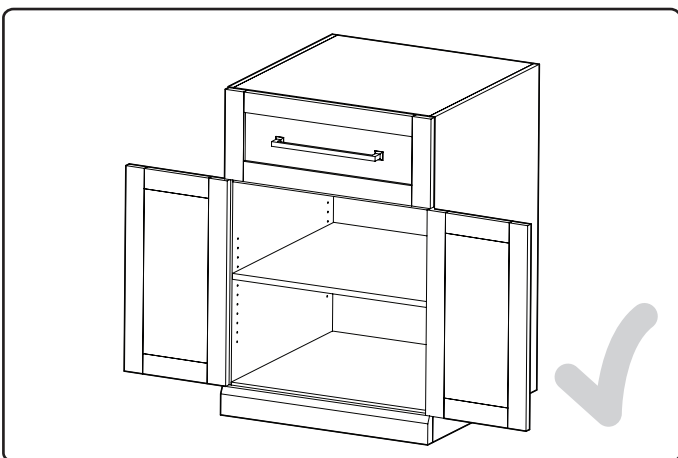
3 Insert shelf at a slight angle.



4 Position over shelf supports . Lower shelf down onto shelf supports.

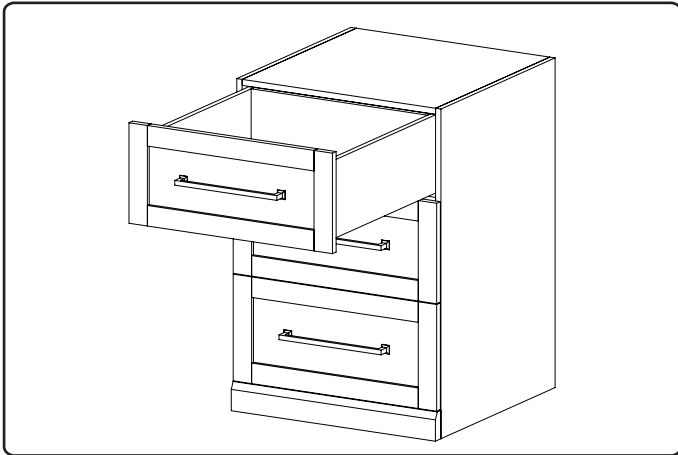


5

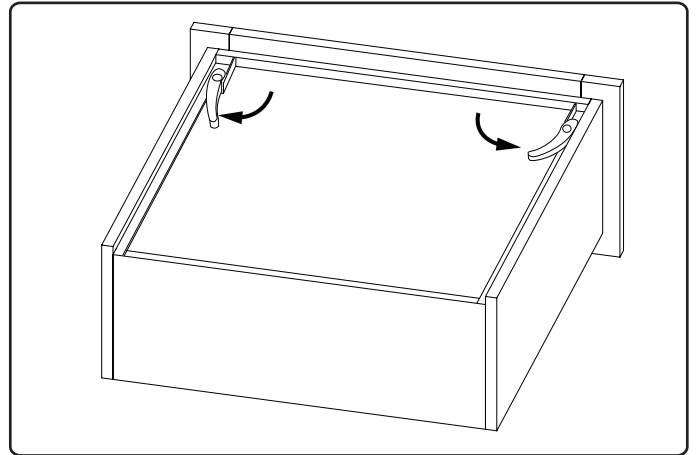


Removing Drawer

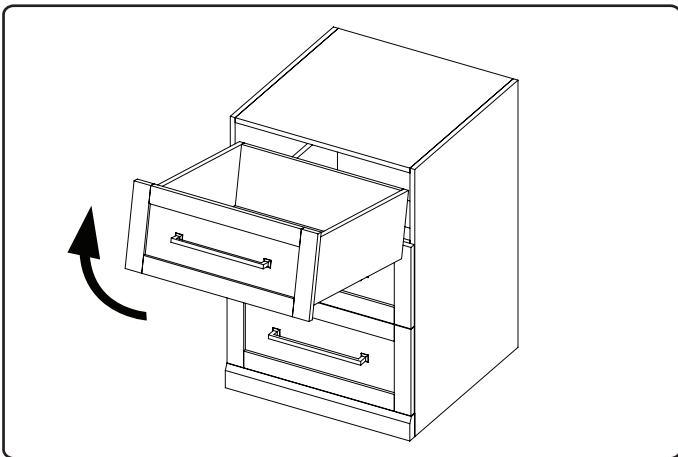
7 Extend drawer fully.



8 Press plastic triggers on underside of drawer according to arrows in image.

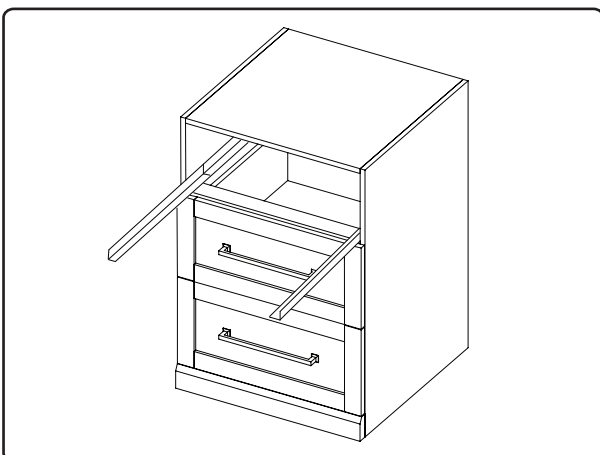


9 Tilt and remove shelf rack.

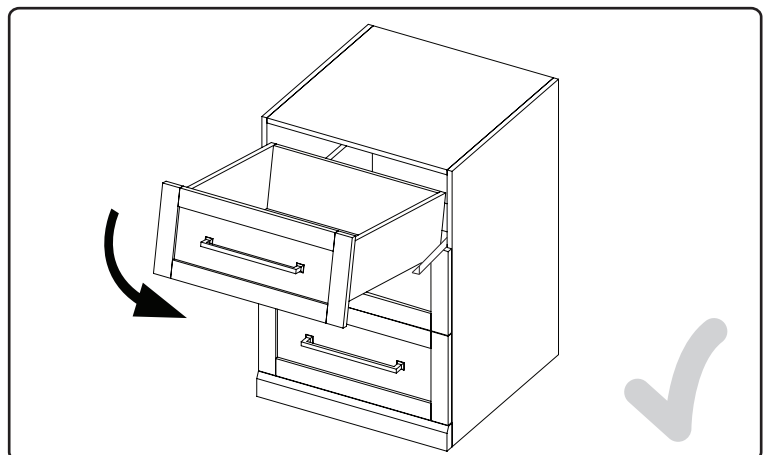


Inserting Drawer

10 Partially extend drawer slides.



11 Put drawer on slides and slide each drawer side forward until you hear a click sound.

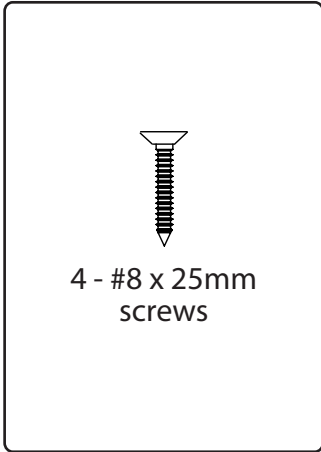


Fastening Cabinets

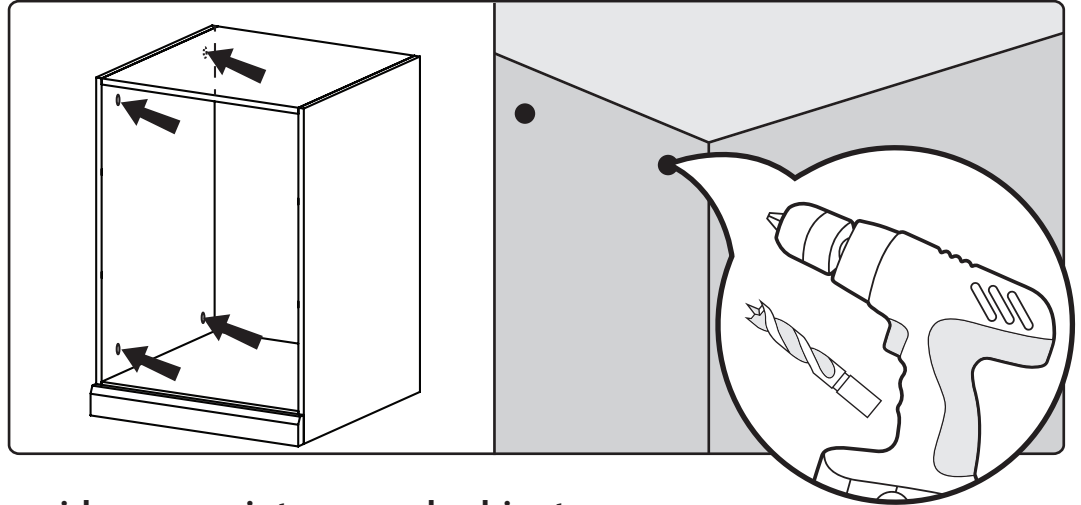
Note:

All shelves and drawers must be removed prior to fastening cabinets together.

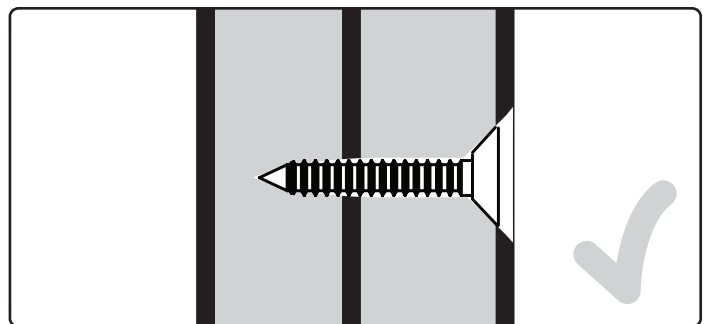
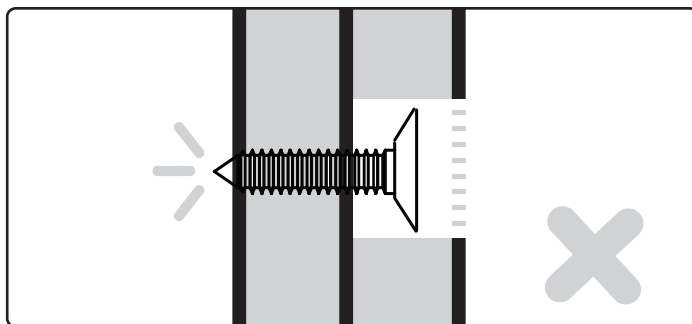
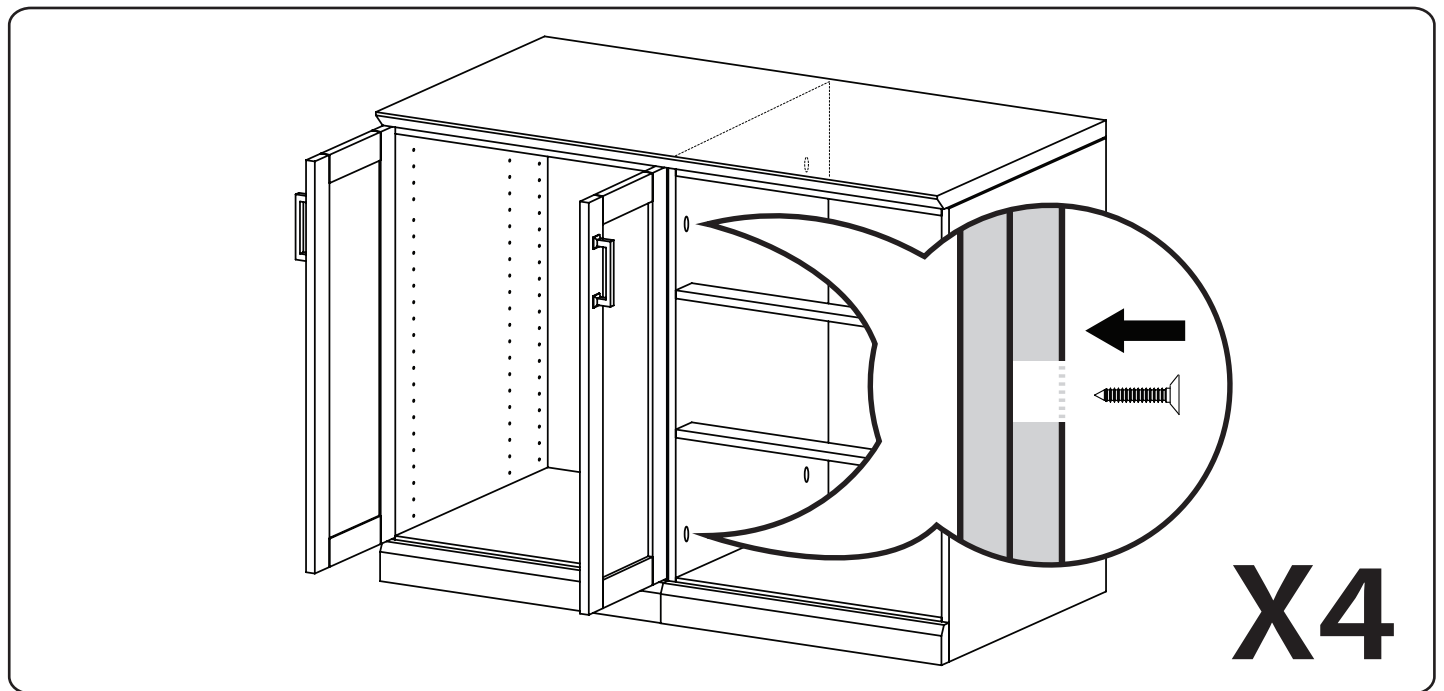
12 Parts Needed.



13 Drill 3/32 pilot holes on interior wall of cabinet being fastened.

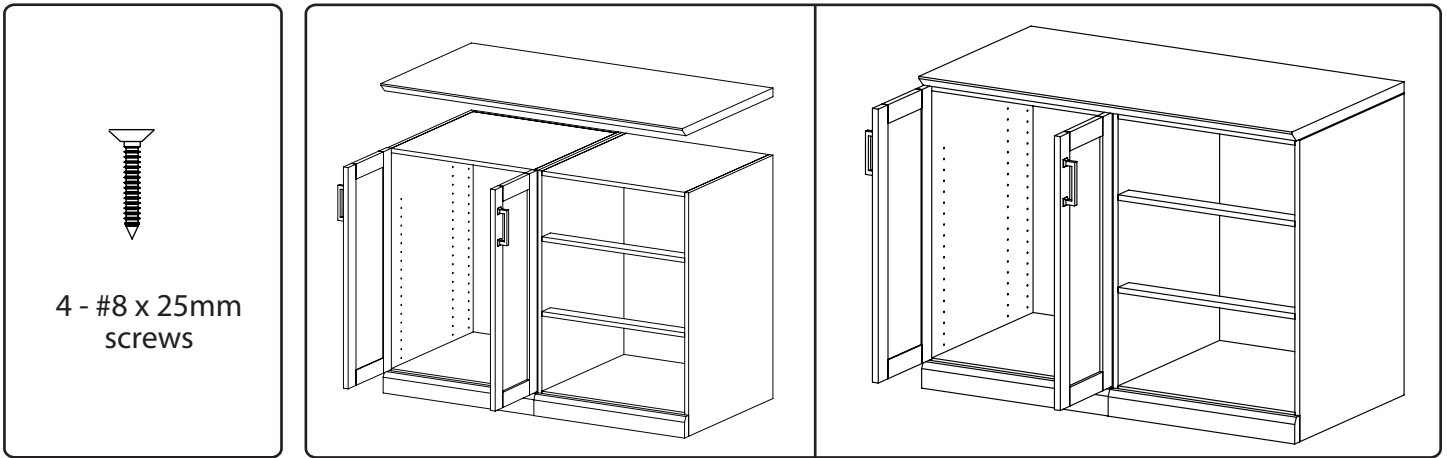


14 Using pilot hole as guides, screw into second cabinet. Do not over-tighten screws and punch through other side!

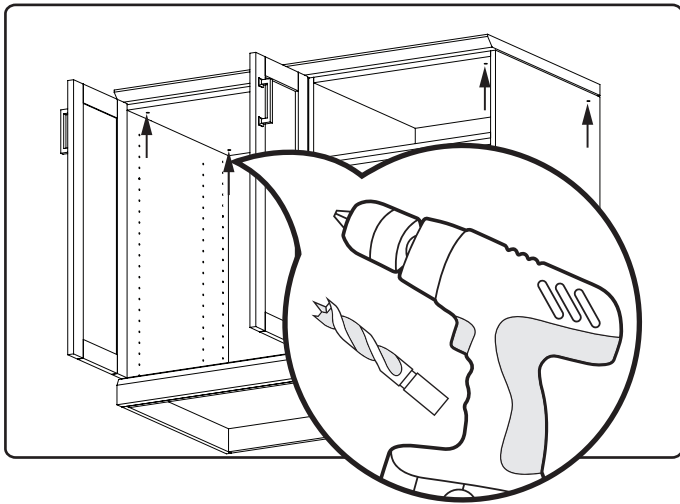


Mounting the Worktop

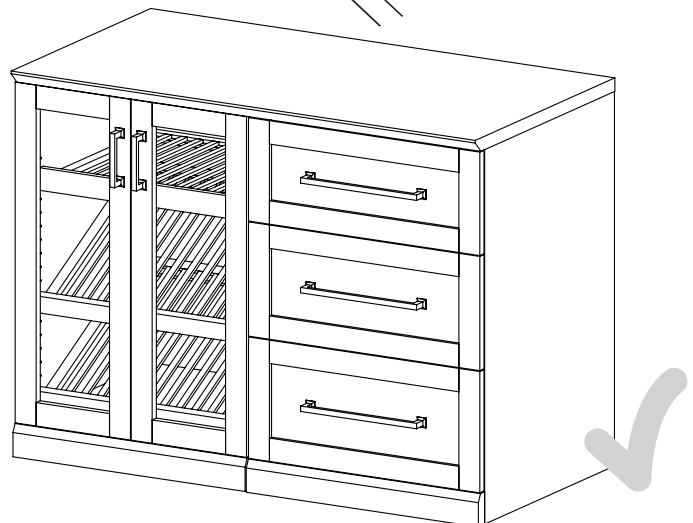
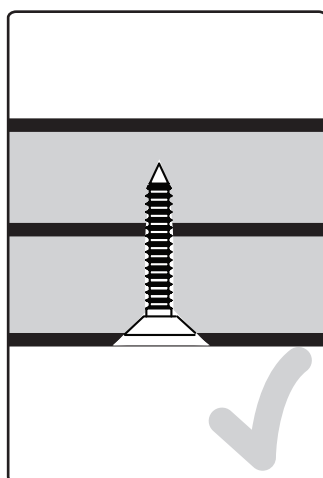
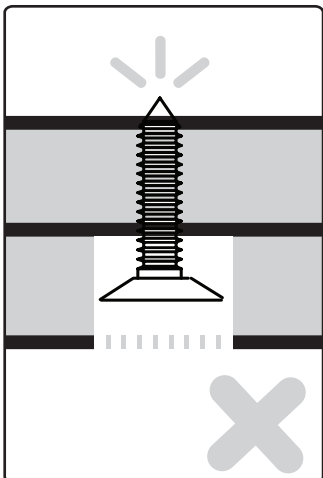
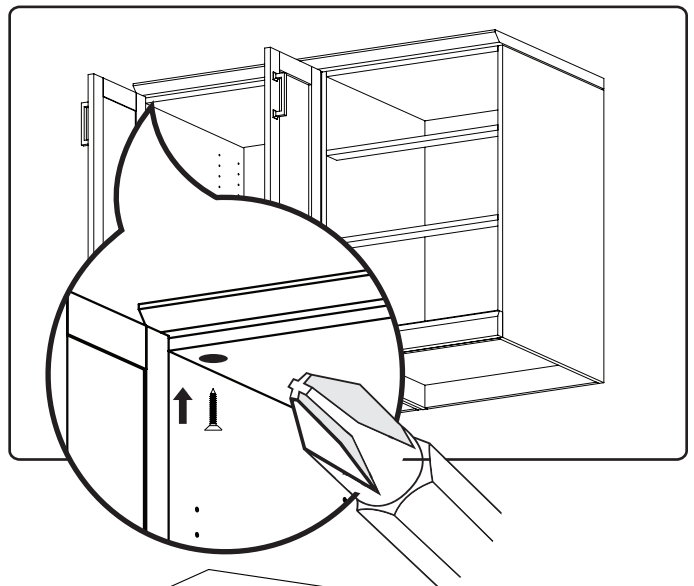
15 Place worktop over cabinets and lower onto cabinets.



16 Drill 4, 3/32" pilot holes on interior roof of cabinet.



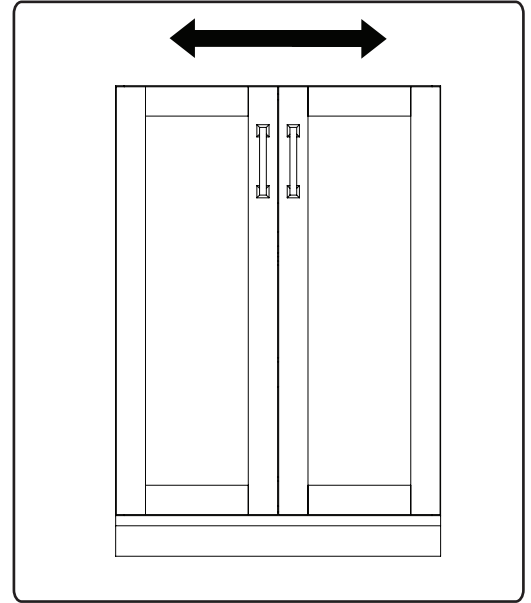
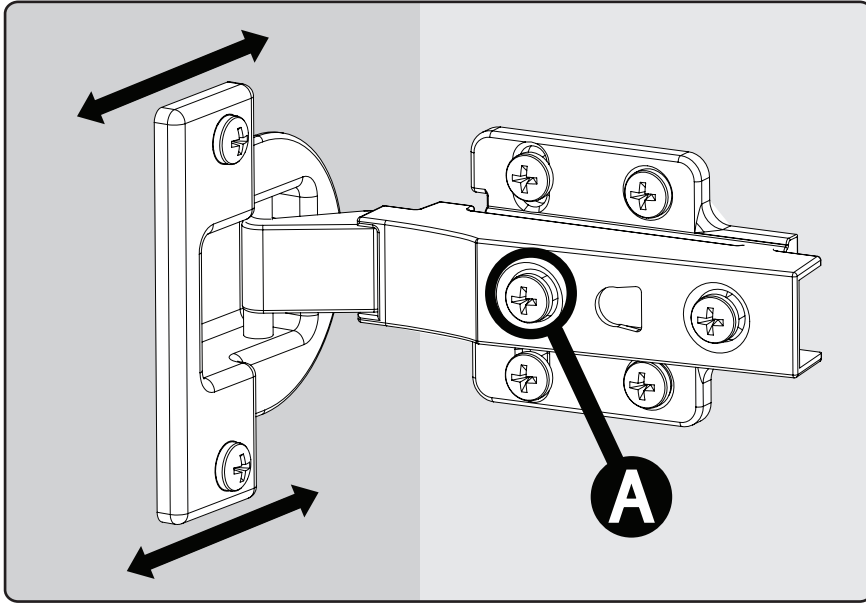
17 Tighten screws to secure cabinets.



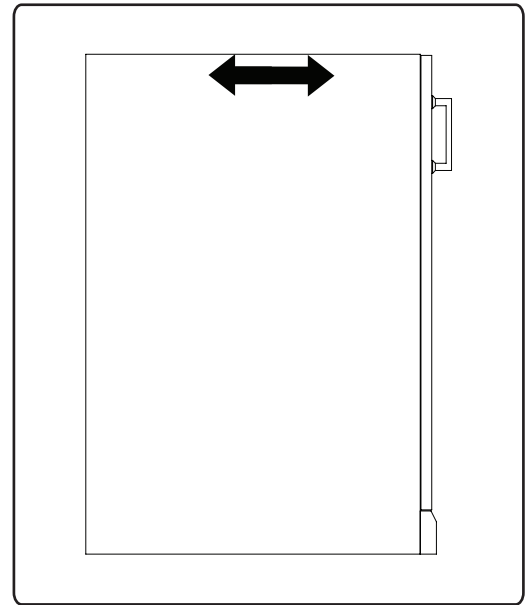
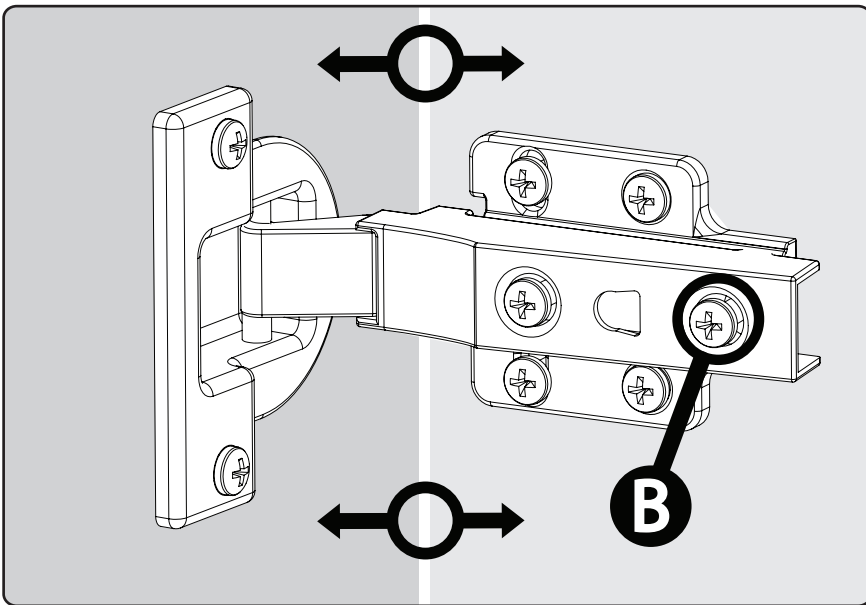
Adjusting The Door Hinges

Using a Philips screwdriver, the doors can be adjusted:
Left, right, forwards and backwards.

18 To adjust the doors left or right, turn the screw (A) clockwise or counterclockwise.



19 To adjust the gap between the doors and frame, turn the screw (B) clockwise or counterclockwise.



Thank you for purchasing a NewAge Product!

Please give us a call or visit online if you have any questions.

Call 1.877.306.8930; for UK 0800.031.4069; e-mail at info@newageproducts.com



HOME BAR SERIES

TALL DISPLAY

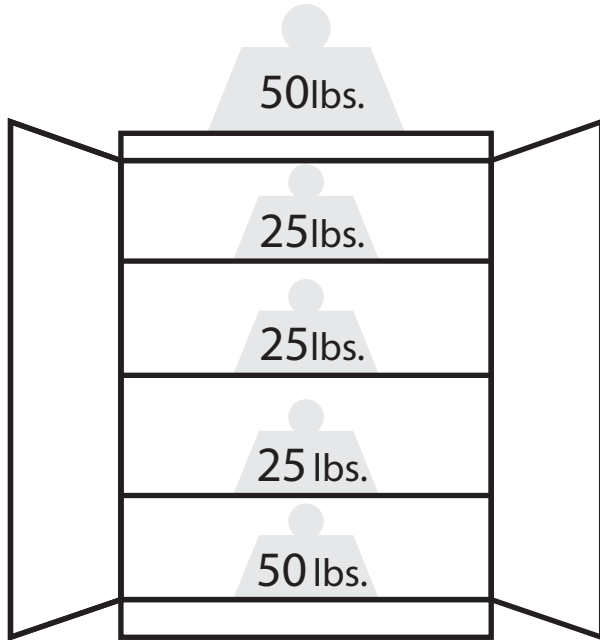


Warning: Excessive weight hazard!

Use two or more people to move, assemble or install wine cabinets to avoid back injury.
Do not leave children unattended near cabinets. High risk of tipping if cabinets are installed incorrectly: securely attach cabinets to the wall to avoid serious injury.

For assistance, call 1.877.306.8930; for UK 0800.031.4069; e-mail at info@newageproducts.com

Weight Capacity



Tall Display Cabinet
Max 175 lbs.

Countertops

(for Base cabinets only.)



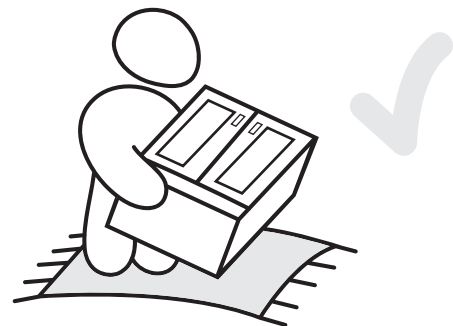
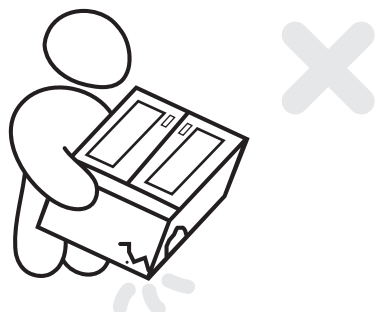
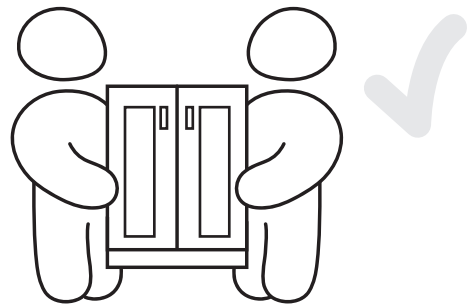
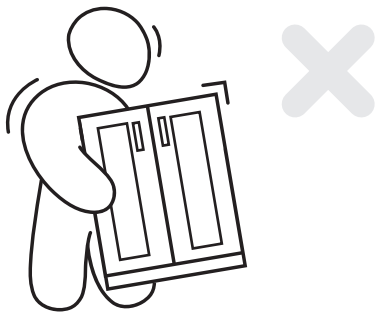
48" Countertop. Fits over 2 Cabinets



72" Countertop. Fits over 3 Cabinets



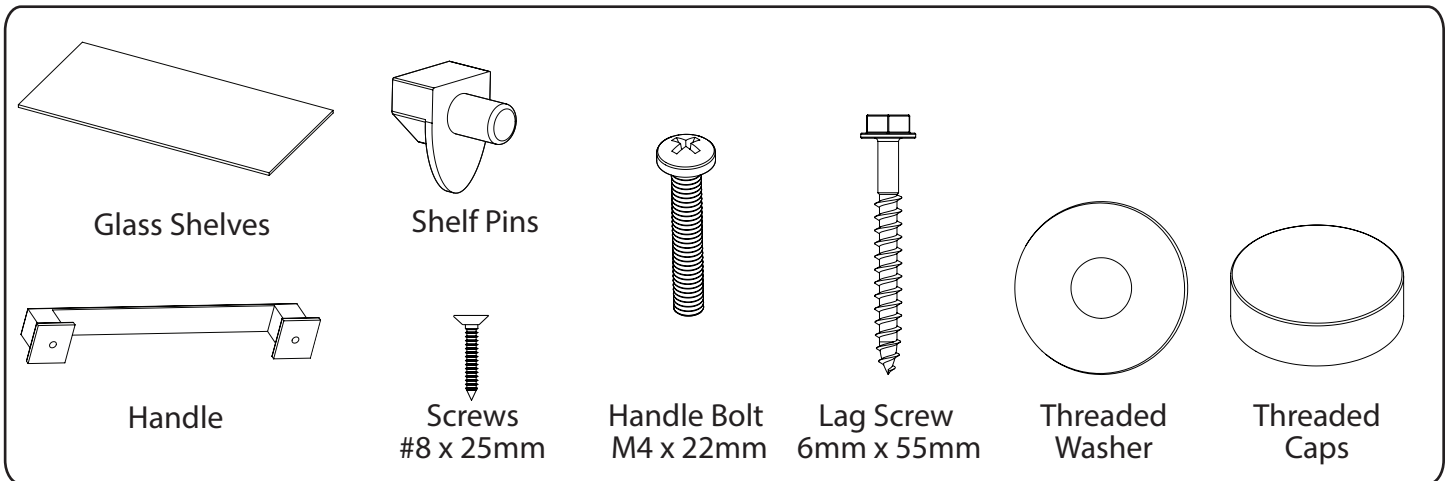
96" Countertop. Covers over 4 Cabinets



Unpacking

- Begin by placing the package on a covered flat surface.
- Remove all cardboard, foam packaging material and clear plastic bags.
- Dispose / recycle all packaging materials.
- Verify all the contents in the box and gather the required tools.
- See "Parts" and "Tools Needed" in the list below.

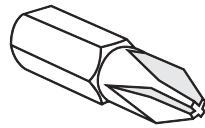
Parts Supplied	Tall Wall Display Cabinet
Threaded Caps	4
Threaded Washer	4
Handles	2
Handle Bolts (M4 x 22mm)	4
#8 x 25mm Screws	4
Lag Screw (6 mm x 55 mm)	4
Glass Shelves	3
Shelf Pins	14



Tools Needed



1 x #2 Phillips head screwdriver



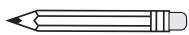
1 x #2 Phillips Bit (optional)



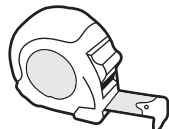
1 x Stud Finder



1 x Cordless Power Drill (optional)



1 x Pencil



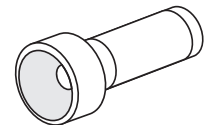
1 x Tape Measure



1 x
2.5mm or 3/32"
drill bit



1 x
6.5 mm or 1/4"
drill bit



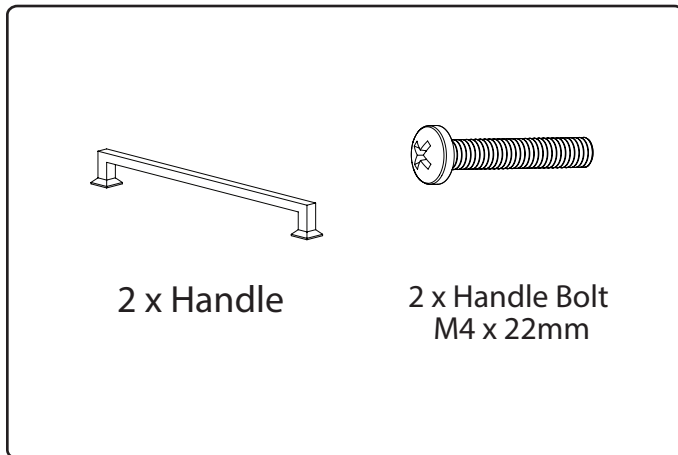
1 x Flashlight (optional)

Installing the Handles

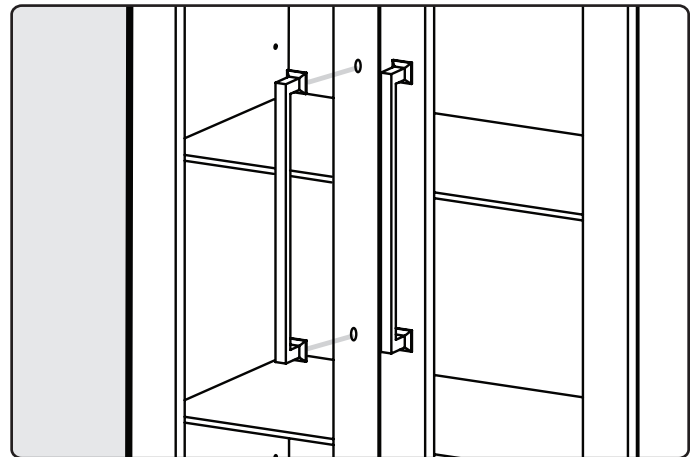
Note:

Cabinets come with handles installed on inside of drawers/doors.

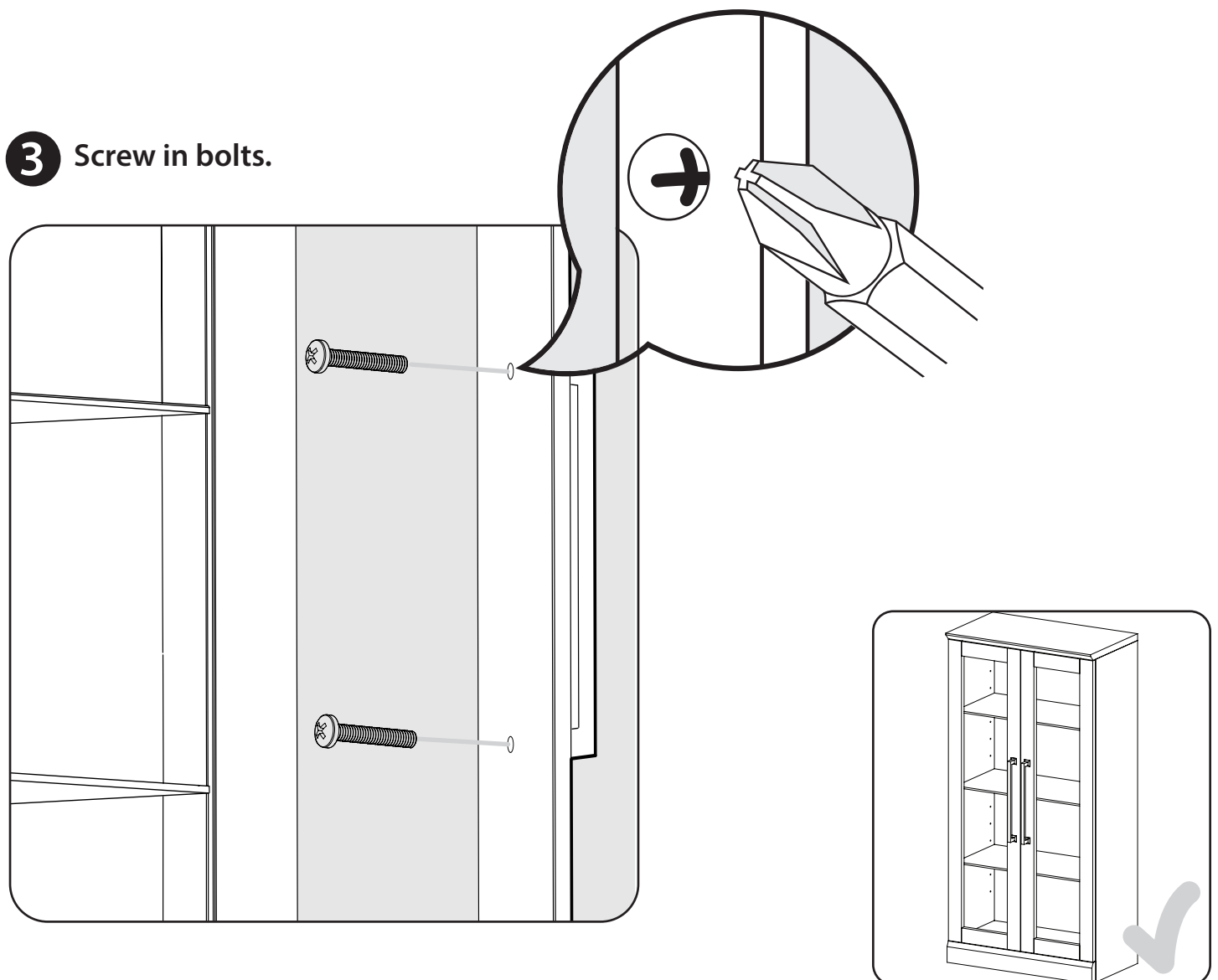
1 Parts Needed.



2 Align handle to holes on doors or drawers.

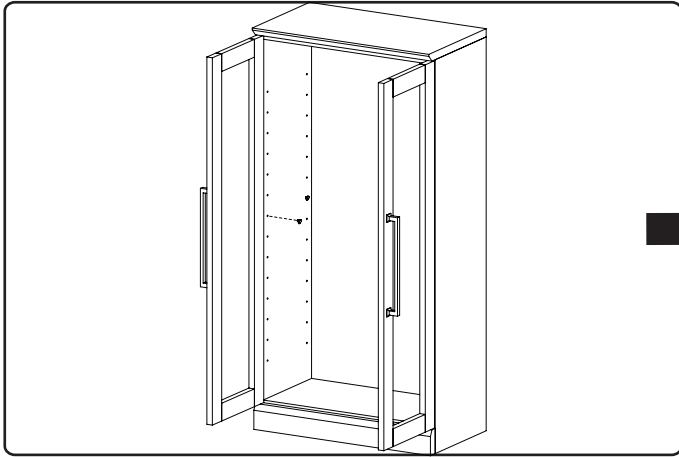


3 Screw in bolts.

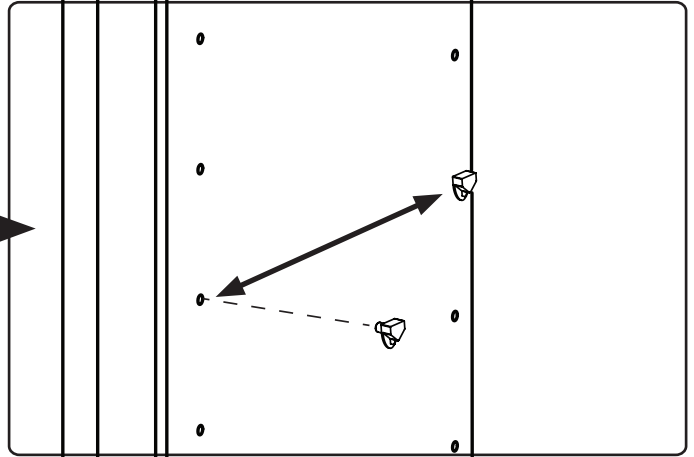


Inserting Glass Shelves

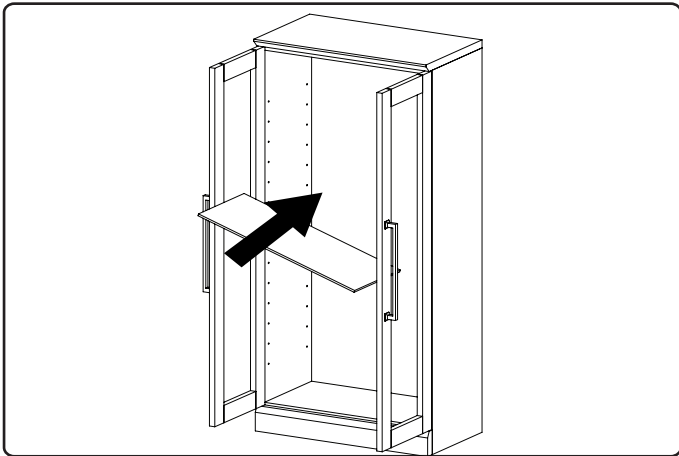
1 Open cabinet doors. Attach shelf clips to desired height.



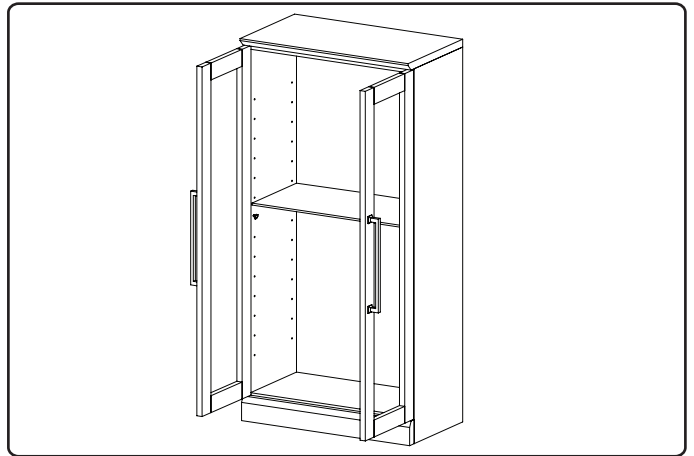
2 Ensure clips are at level height.



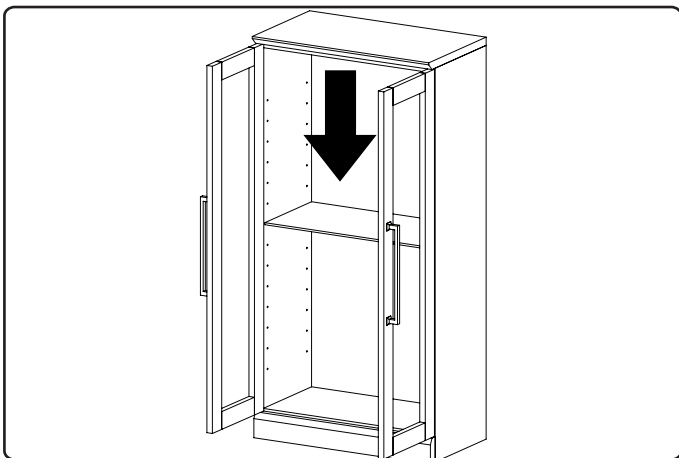
3 Insert glass shelf at a slight angle.



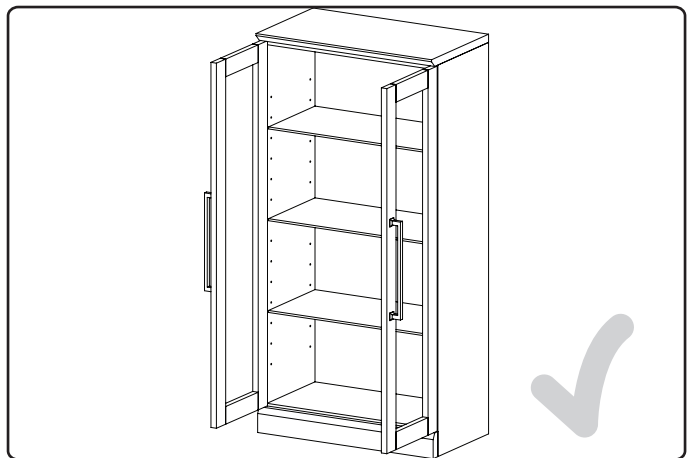
4 Position over shelf supports .



5 Lower shelf down onto shelf supports.

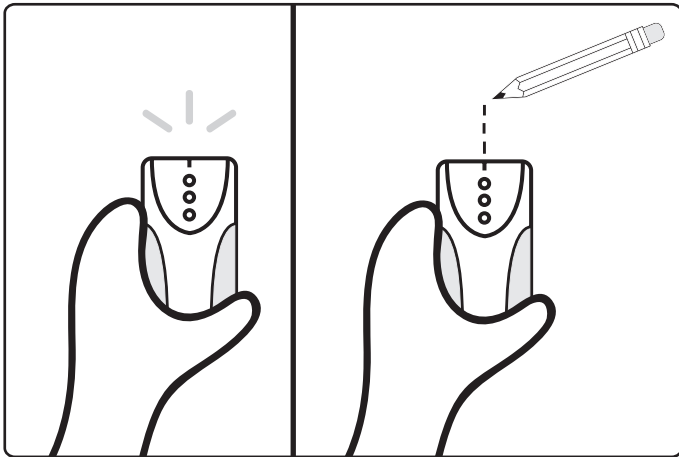


6 Repeat steps 1-4 for all shelves.

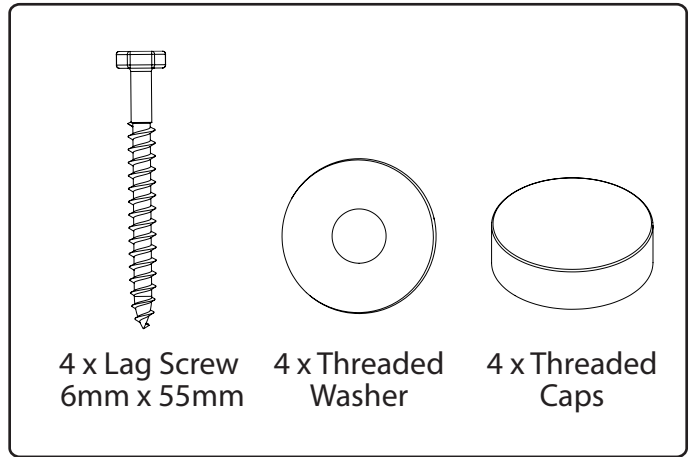


Mounting Cabinets

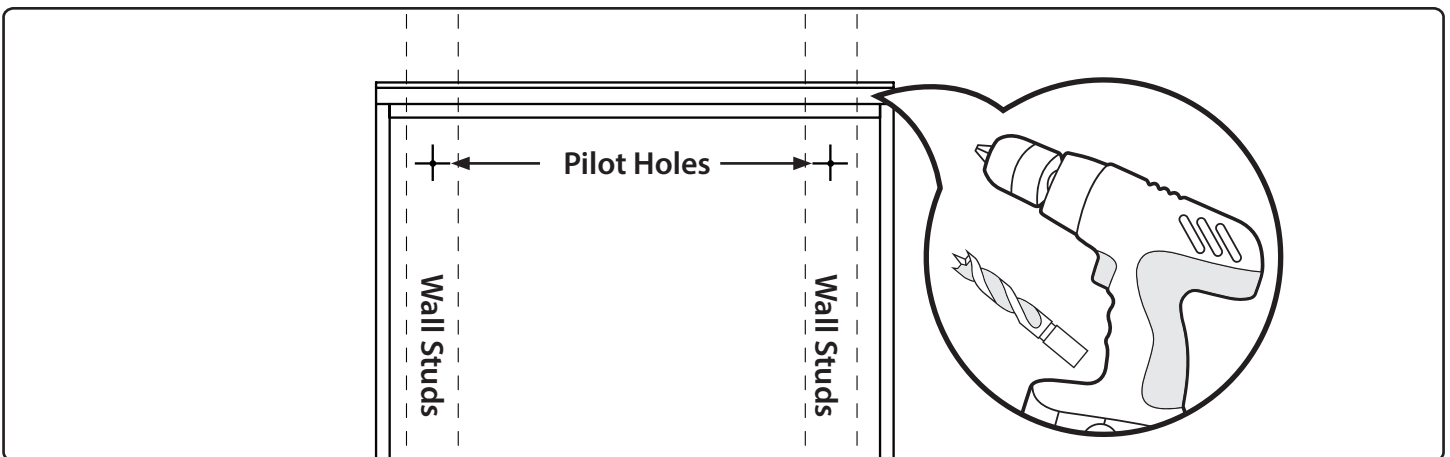
- 7** Use stud finder to locate the studs and mark the wall with a pencil.



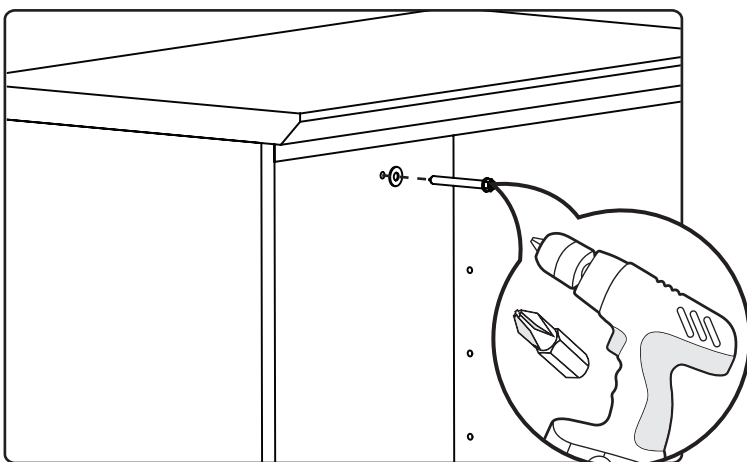
- 8** Gather parts.



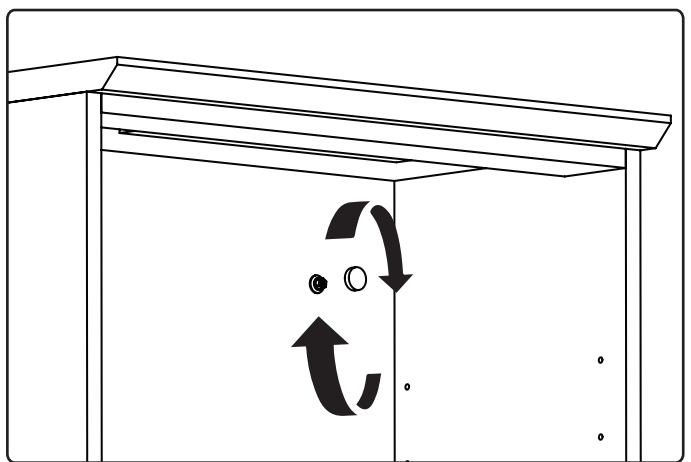
- 9** Near the top of the cabinet, drill 1/4" holes through the back of the cabinet that are in line with marked studs. Repeat for drilling two holes near the bottom of the cabinet.



- 10** Place cabinet flush against wall and attach using screws and washers.



- 11** Use threaded caps to cover screws.

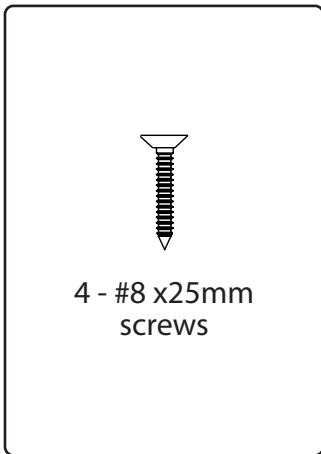


Fastening Cabinets

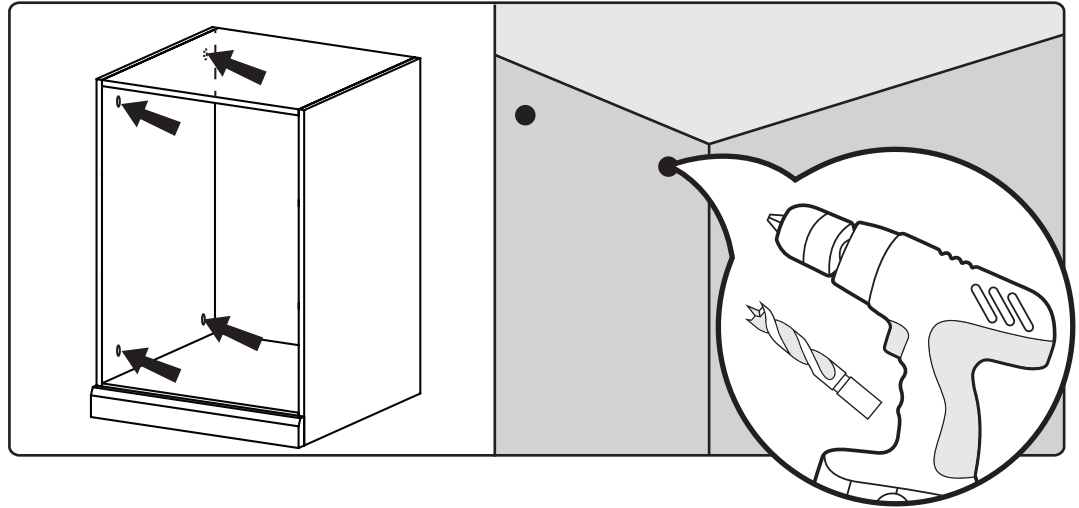
Note:

All shelves must be removed prior to fastening cabinets together.

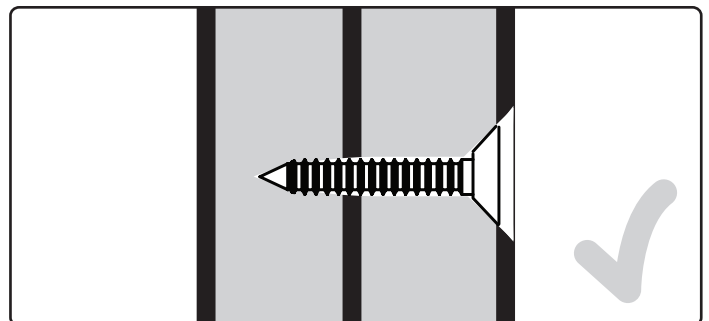
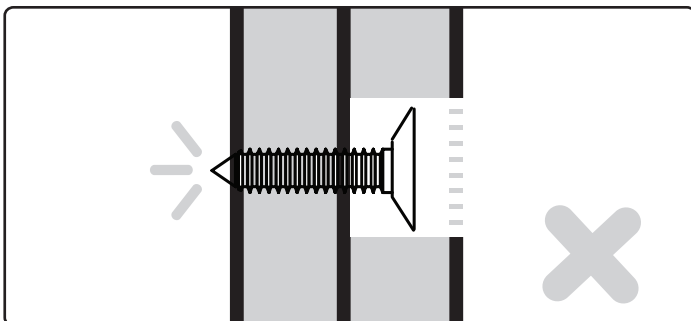
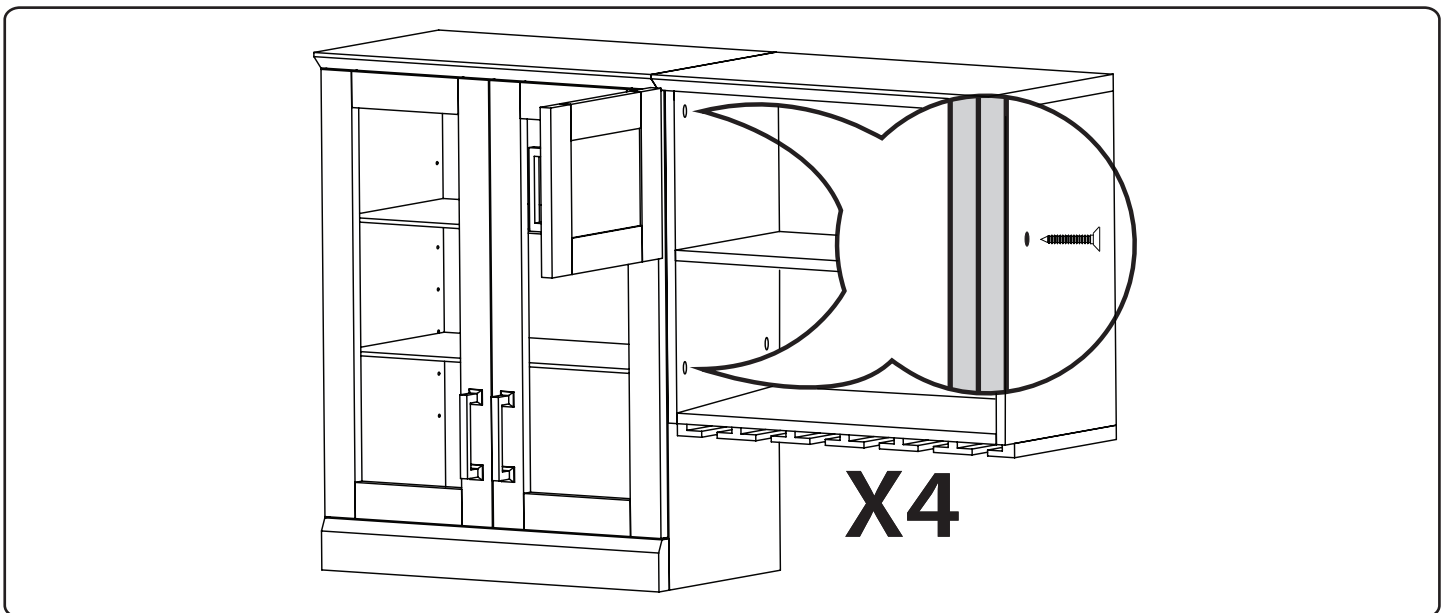
12 Parts Needed.



13 Drill 3/32" pilot holes on interior wall of cabinet being fastened.



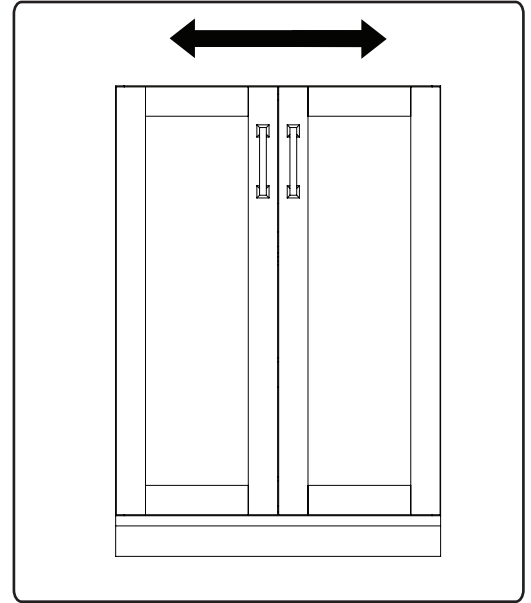
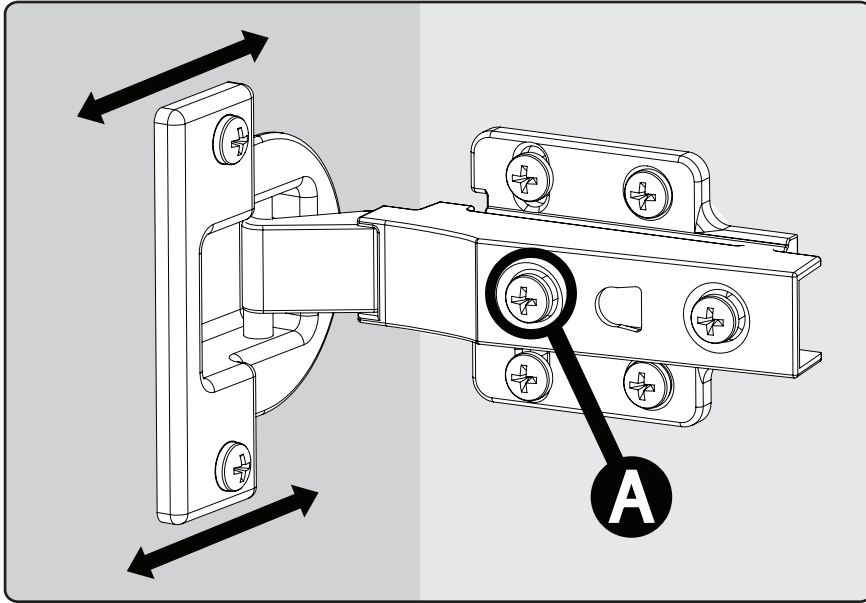
14 Using pilot hole as guides, screw into second cabinet. Do Not Over-tighten screws and Punch through other side!



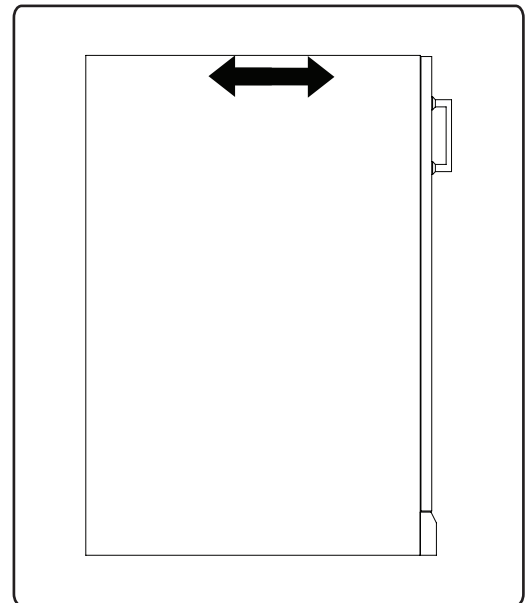
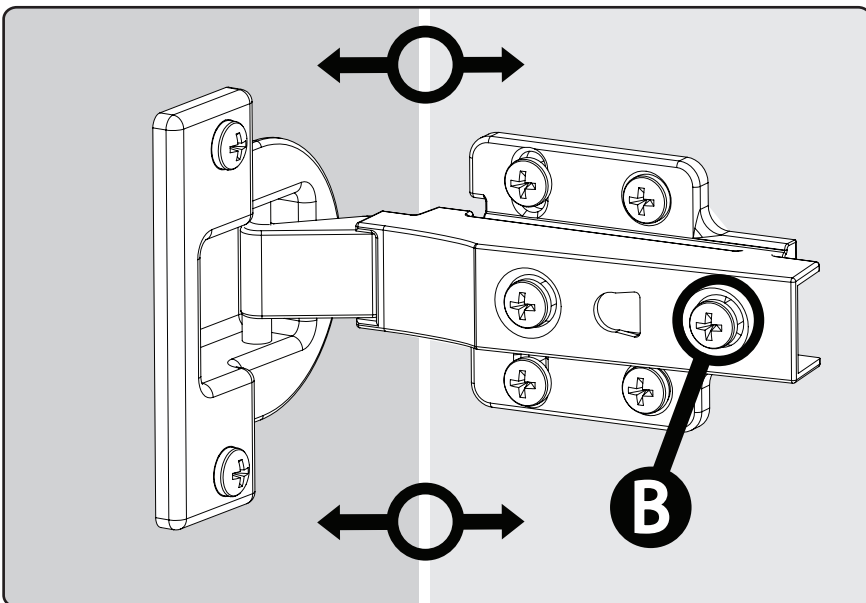
Adjusting The Door Hinges

Using a Philips screwdriver, the doors can be adjusted:
Left, right, forwards and backwards.

- 15** To adjust the doors left or right, turn the screw (A) clockwise or counterclockwise.



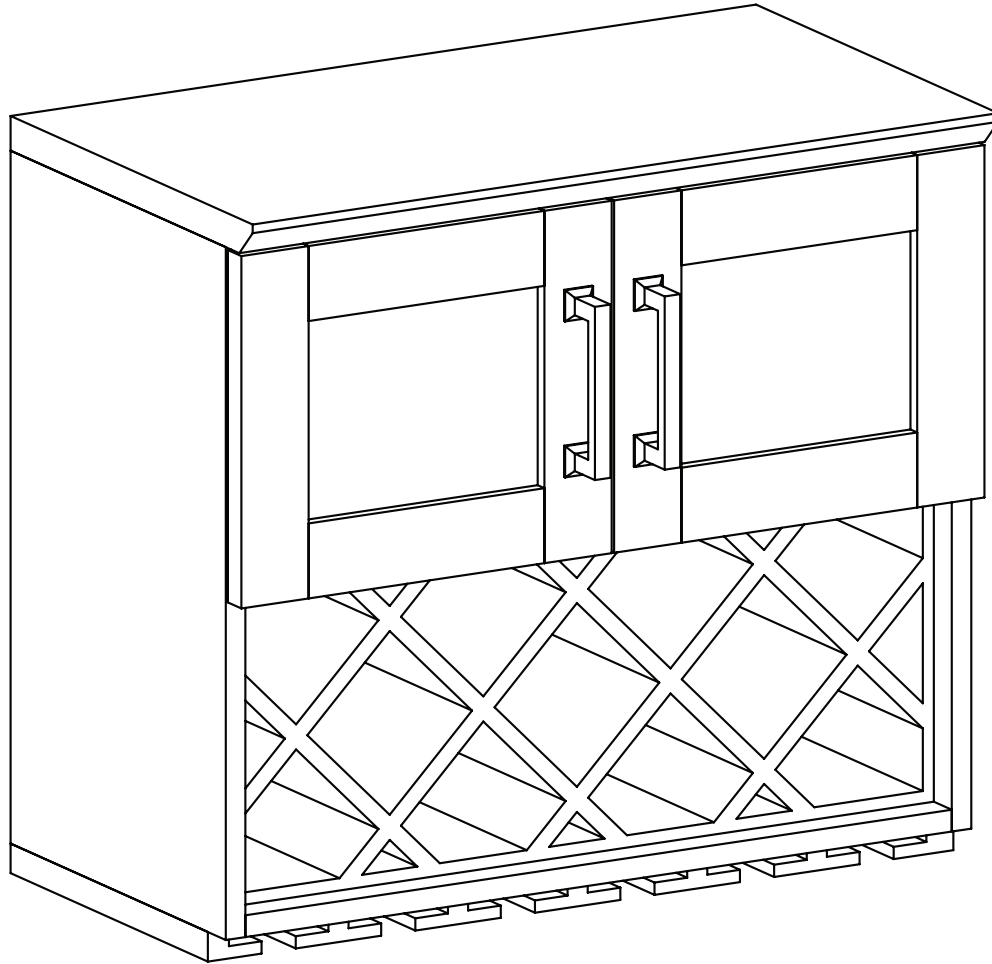
- 16** To adjust the gap between the doors and frame, turn the screw (B) clockwise or counterclockwise.



Thank you for purchasing a NewAge Product!

Please give us a call or visit online if you have any questions.

Call 1.877.306.8930; for UK 0800.031.4069; e-mail at info@newageproducts.com



HOME BAR SERIES WALL WINE RACK



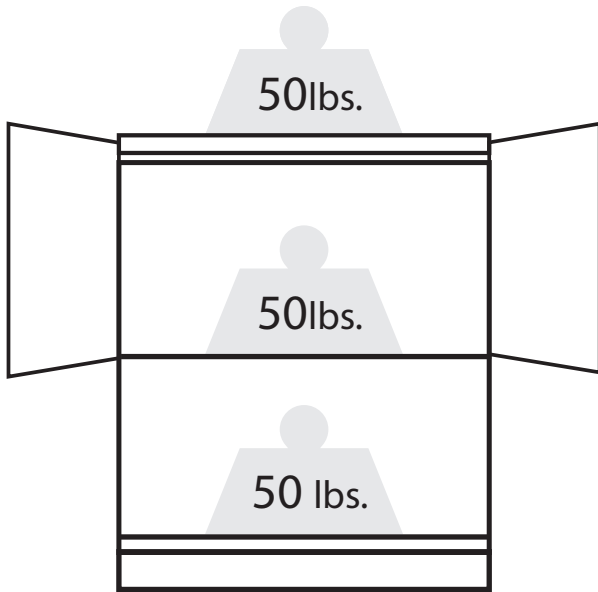
Warning: Excessive weight hazard!

Use two or more people to move, assemble or install cabinets to avoid back injury.

Do not leave children unattended near cabinets. High risk of tipping if cabinets are installed incorrectly: securely attach cabinets to the wall to avoid serious injury.

For assistance, call 1.877.306.8930; for UK 0800.031.4069; e-mail at info@newageproducts.com

Weight Capacity



Wall
Wine Rack
Max 150 lbs.

Countertops

(for Base cabinets only.)



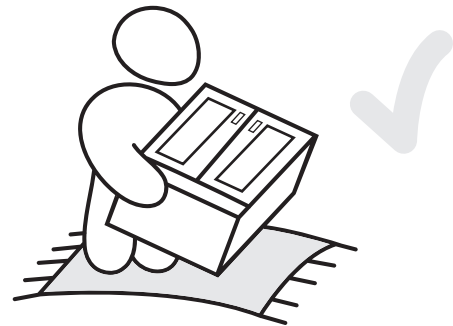
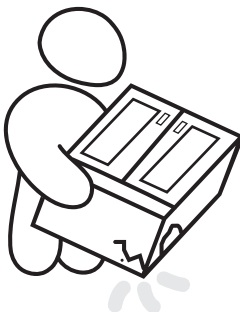
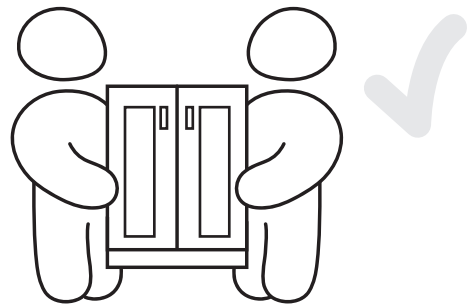
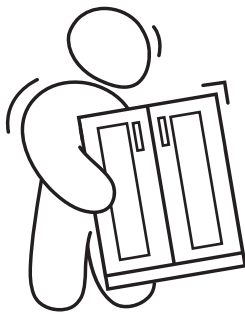
48" Countertop. Fits over 2 Cabinets



72" Countertop. Fits over 3 Cabinet



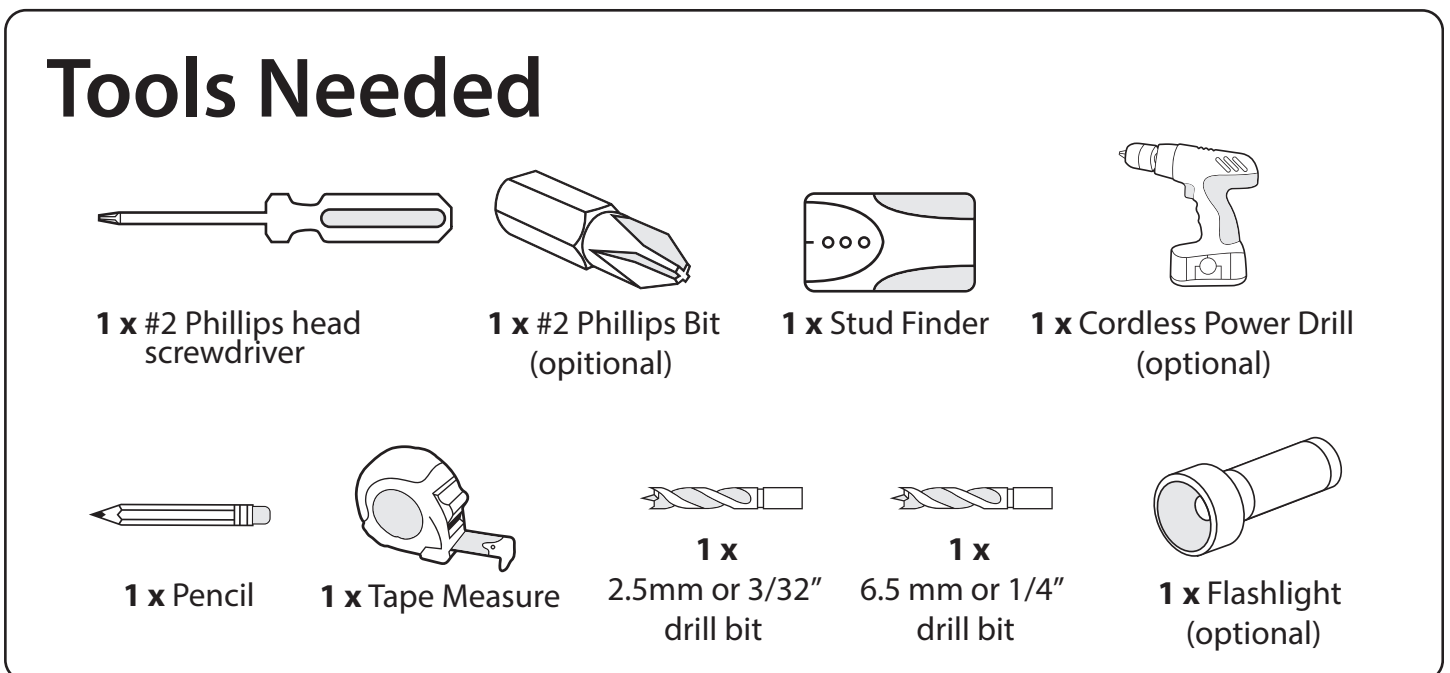
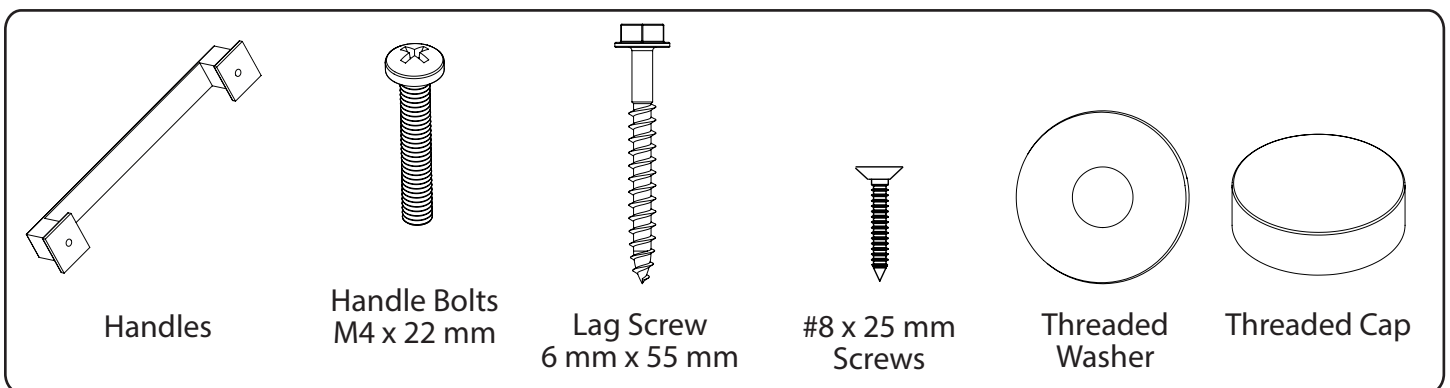
96" Countertop. Covers over 4 Cabinet



Unpacking

- Begin by placing the package on a covered flat surface.
- Remove all cardboard, foam packaging material and clear plastic bags.
- Dispose / recycle all packaging materials.
- Verify all the contents in the box and gather the required tools. See “Parts” and “Tools Needed” in the list below.

Parts Supplied	Wall Rack	Cabinet
Threaded Caps	4	
Threaded Washer	4	
Handles	2	
Handle Bolts (M4 x 22mm)	4	
#8 x 25mm Screws	4	
Lag Screw (6 mm x 55 mm)	4	

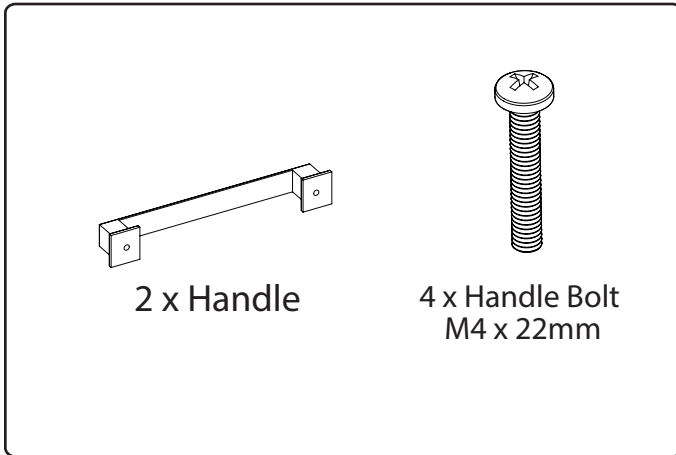


Installing the Handles

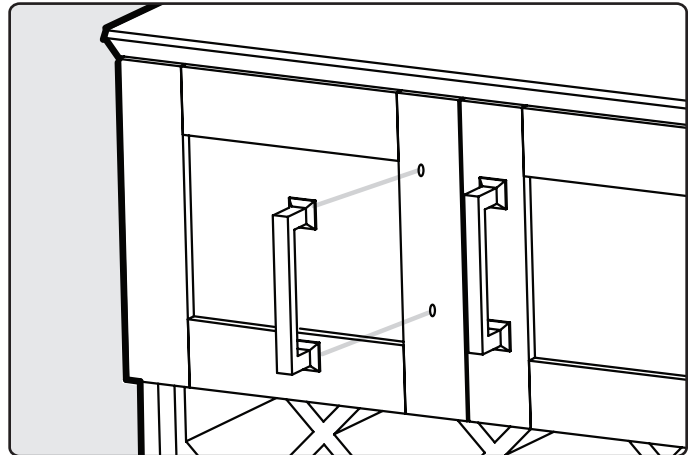
Note:

Cabinets come with handles installed on inside of drawers/doors.

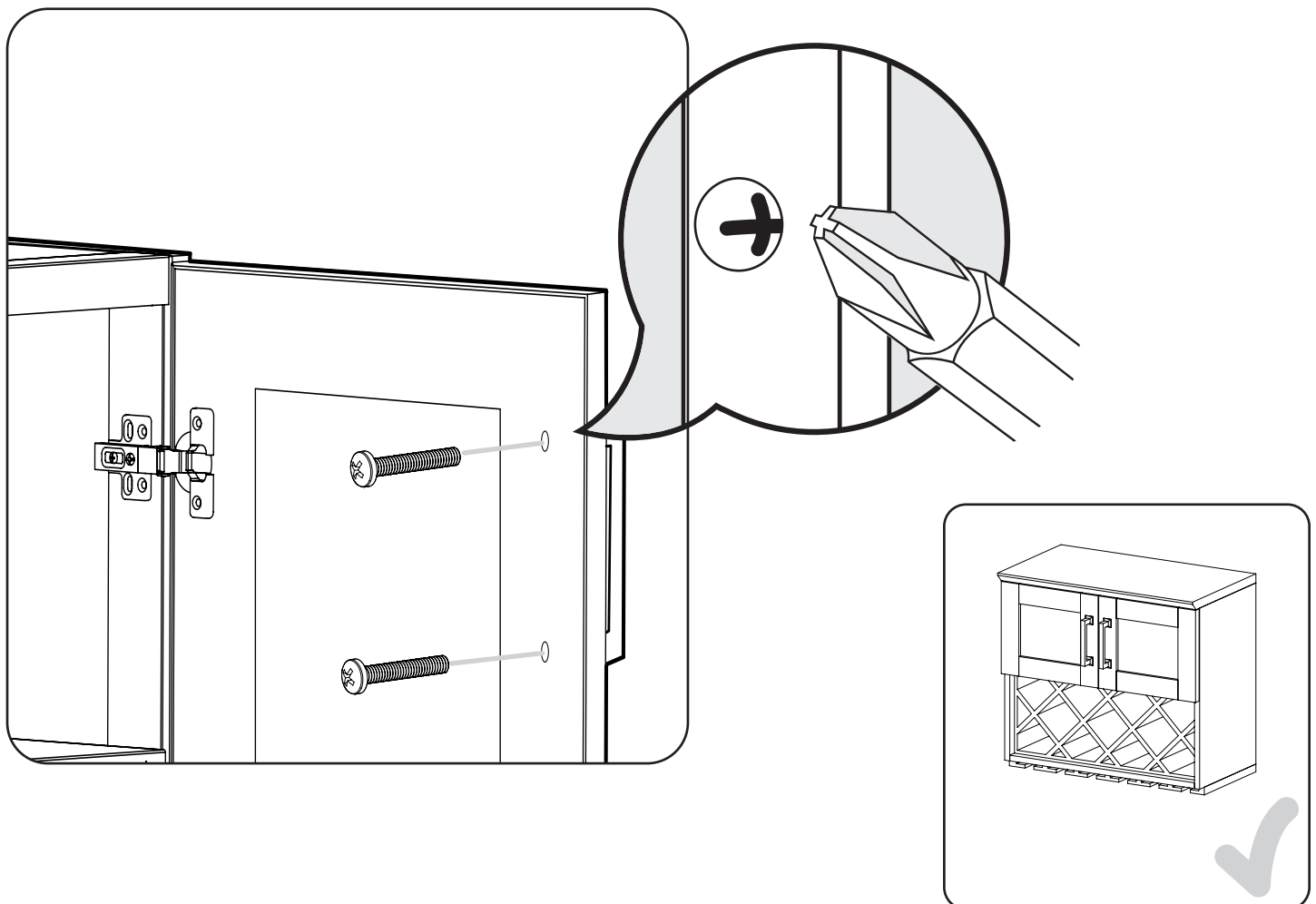
1 Parts Needed.



2 Align handle to holes on doors or drawers.

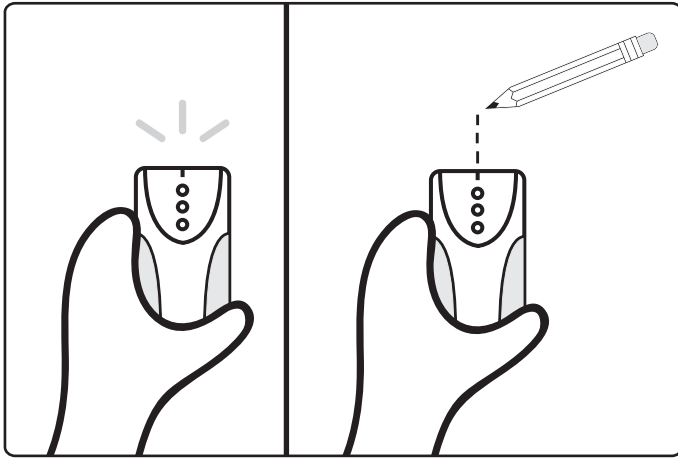


3 Screw in M4 x 22mm bolts.

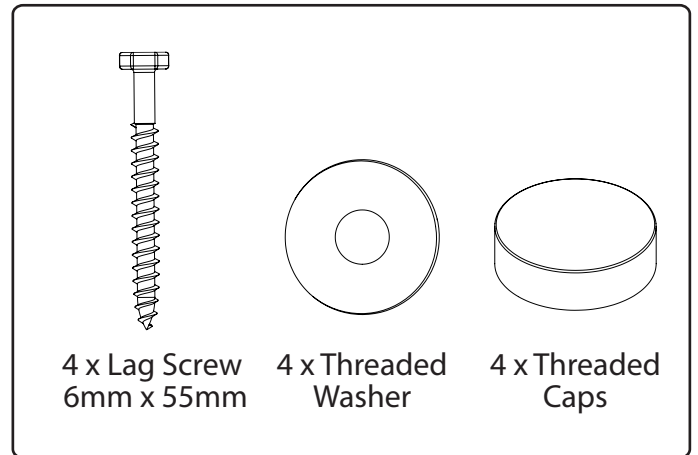


Mounting Cabinets

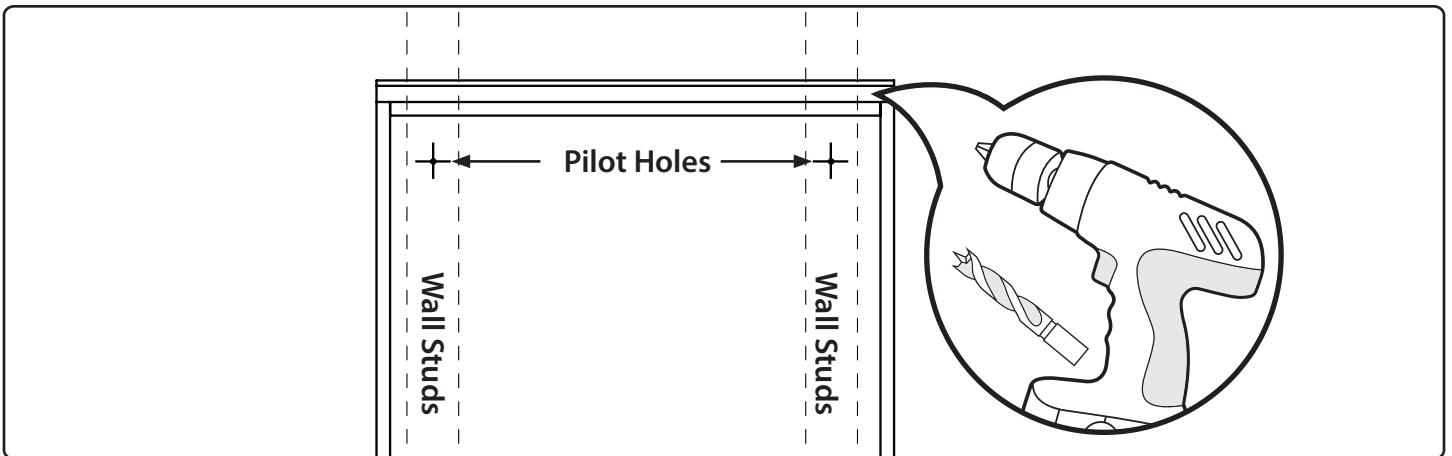
- 7** Use stud finder to locate the studs and mark the wall with a pencil.



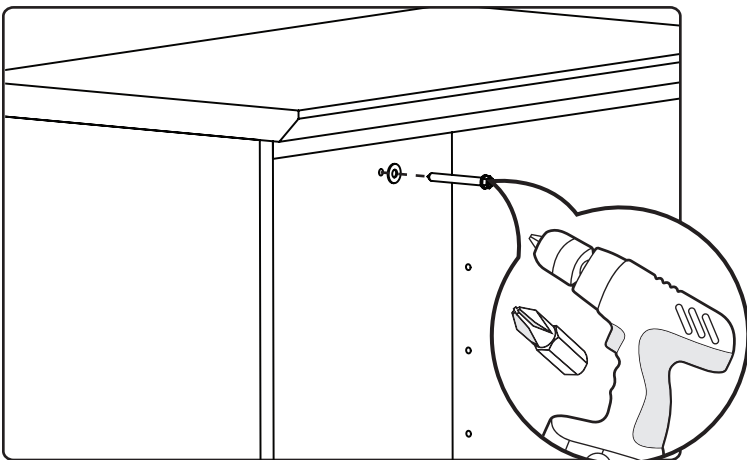
- 8** Gather parts.



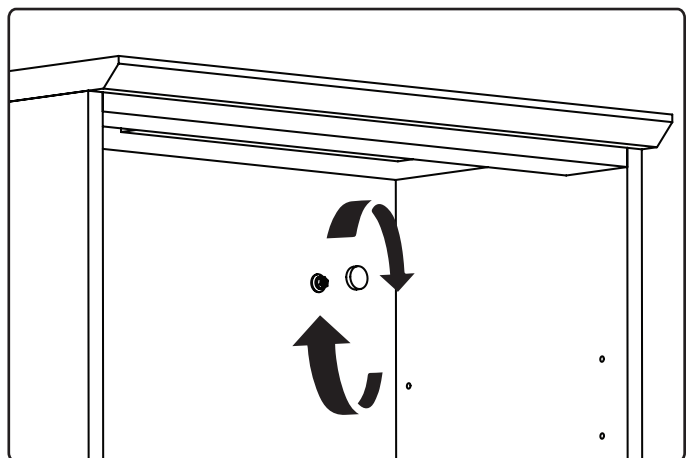
- 9** Near the top of the cabinet, drill 1/4" holes through the back of the cabinet that are in line with marked studs. Repeat for drilling two holes near the bottom of the cabinet.



- 10** Place cabinet flush against wall and attach using screws and washers.



- 11** Use threaded caps to cover screws.

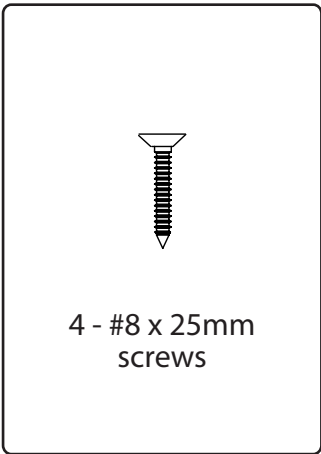


Fastening Cabinets

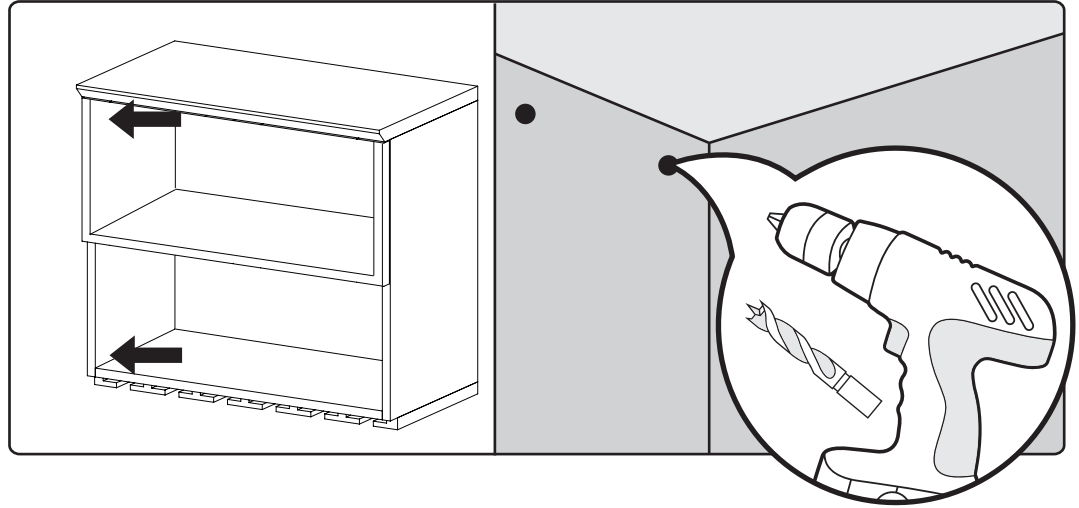
Note:

Remove wine rack to make attaching cabinets easier.

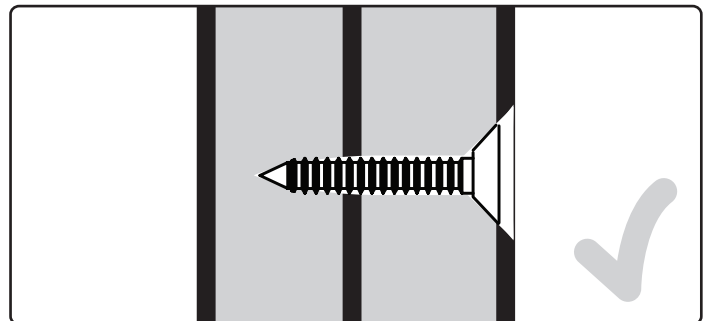
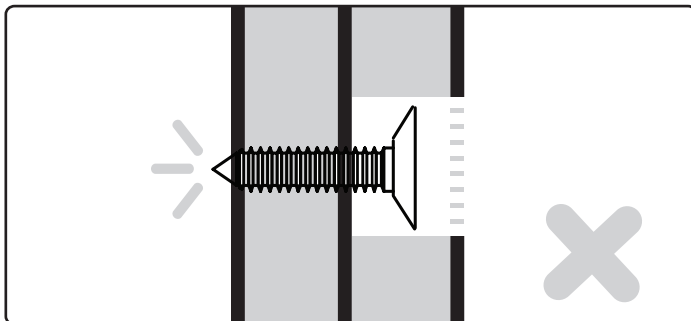
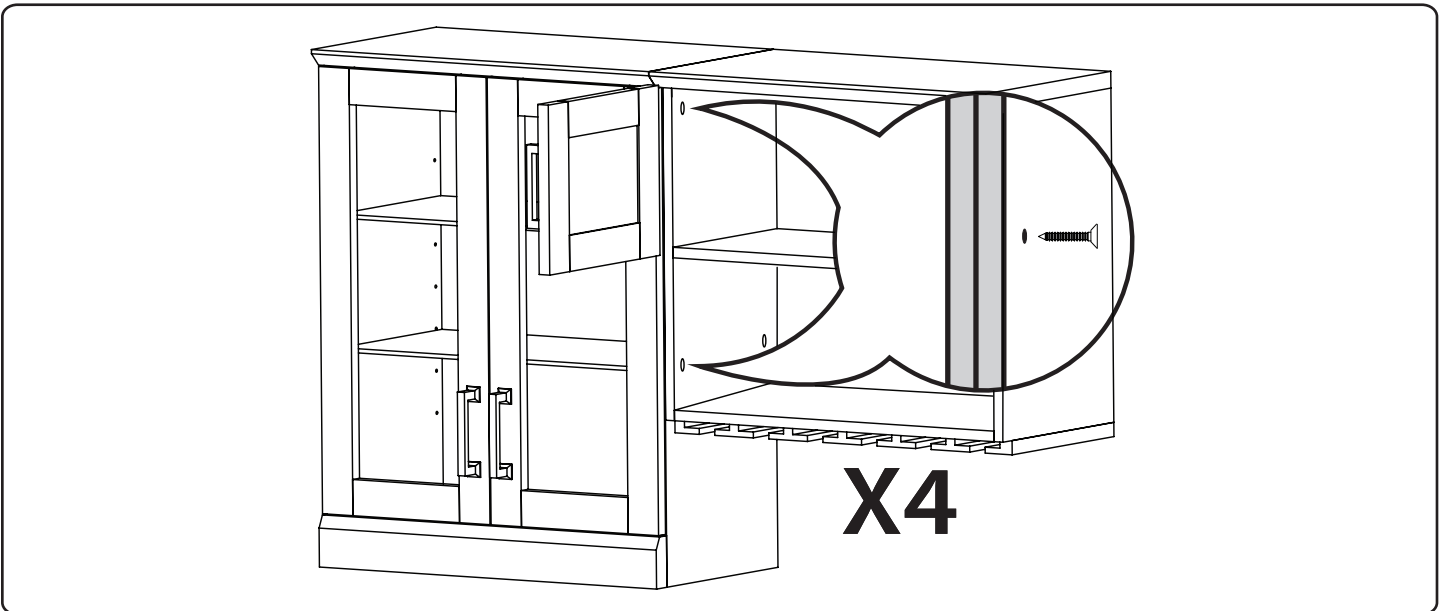
4 Parts Needed.



5 Drill 3/32" pilot holes on interior wall of cabinet being fastened.



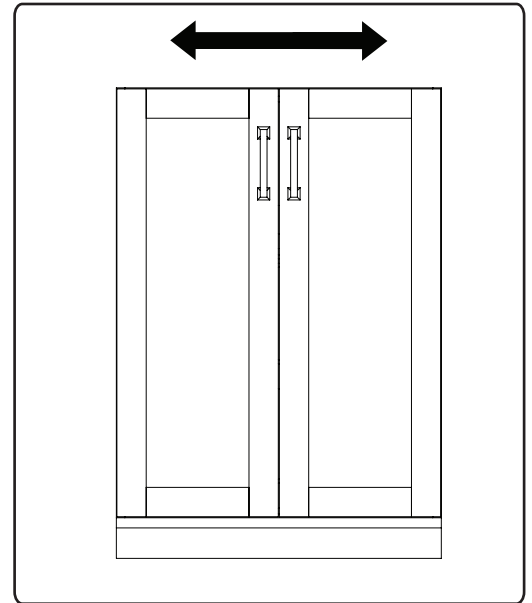
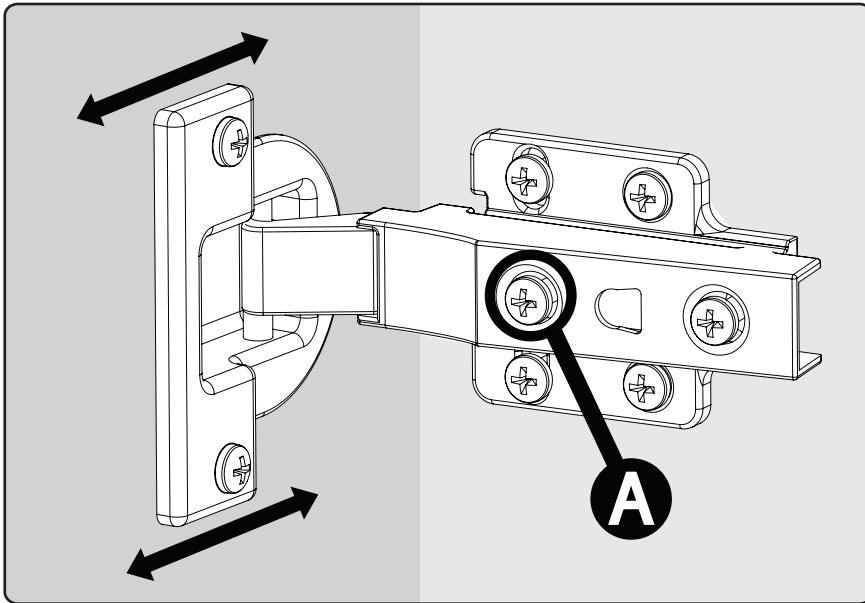
6 Using pilot hole as guides, screw into second cabinet. Do Not Over-tighten screws and Punch through other side!



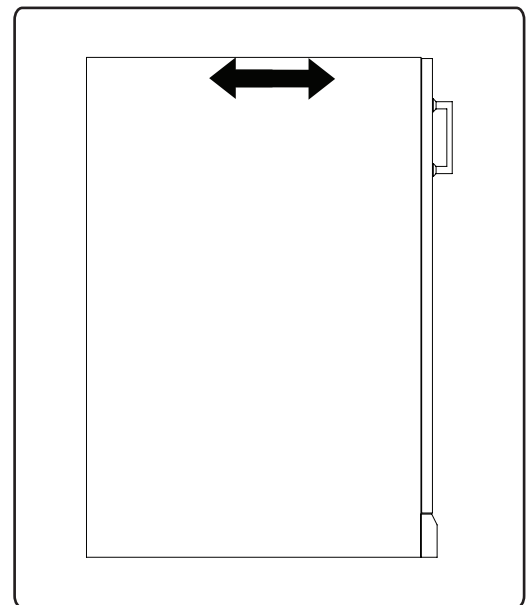
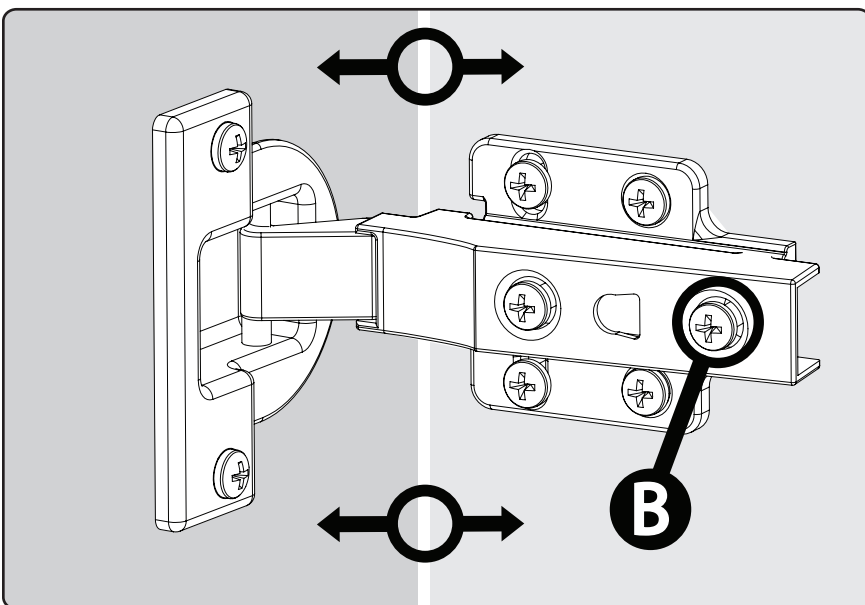
Adjusting The Door Hinges

Using a Philips screwdriver, the doors can be adjusted:
Left, right, forwards and backwards.

- 12** To adjust the doors left or right, turn the screw (A) clockwise or counterclockwise.



- 13** To adjust the gap between the doors and frame, turn the screw (B) clockwise or counterclockwise.



Thank you for purchasing a NewAge Product!

Please give us a call or visit online if you have any questions.

Call 1.877.306.8930; for UK 0800.031.4069; e-mail at info@newageproducts.com

Manufacturer One Year Limited Warranty

When this product is installed, operated and maintained according to the instructions attached to or furnished with the product, NewAge Products Inc. will replace the defective product or parts if the part fails as a result of defective materials or workmanship for a period of One Year from the purchase date of the product.

NEWAGE PRODUCTS INC. WILL NOT PAY FOR:

1. Service calls to correct the installation of any NewAge products or to instruct you how to use or install them.
2. Damage resulting from products damaged by accident, misuse, abuse, fire, flood, improper installation, acts of God, neglect, modification or mishandling.
3. Products damaged by improperly loading beyond the specified maximum weight capacity outlined in the instructions provided with the product.
4. Repairs or replacement when your product is used in other than normal, single-family household use, such as a commercial environment, or handled in anyway inconsistent with the installation instructions included with the product.
5. Surfaces damaged due to chemical interaction.
6. Replacement parts for NewAge products outside Canada, The United States, or the UK.
7. Loss of product contents due to theft, fire, flood, accident or acts of God.
8. Shipping or freight fees to deliver replacement products or to return defective products.
9. Any labor costs during the limited warranty period.

DISCLAIMER OF IMPLIED WARRANTIES; LIMITATION OF REMEDIES



IMPLIED WARRANTIES, INCLUDING TO THE EXTENT APPLICABLE WARRANTIES OF MERCHANTABILITY OR FITNESS FOR A PARTICULAR PURPOSE, ARE EXCLUDED TO THE EXTENT LEGALLY PERMISSIBLE. ANY IMPLIED WARRANTIES THAT MAY BE IMPOSED BY LAW ARE LIMITED TO ONE YEAR, OR THE SHORTEST PERIOD ALLOWED BY LAW. SOME STATES AND PROVINCES DO NOT ALLOW LIMITATIONS OR EXCLUSIONS ON HOW LONG AN IMPLIED WARRANTY OF MERCHANTABILITY OR FITNESS LASTS, SO THE ABOVE LIMITATIONS OR EXCLUSIONS MAY NOT APPLY TO YOU. THIS WARRANTY GIVES YOU SPECIFIC LEGAL RIGHTS, AND YOU MAY ALSO HAVE OTHER RIGHTS WHICH VARY FROM STATE TO STATE OR PROVINCE TO PROVINCE

Thank you for purchasing a NewAge Product!

Please give us a call or visit online if you have any questions.

Call 1.877.306.8930; for UK 0800.031.4069; e-mail at info@newageproducts.com