

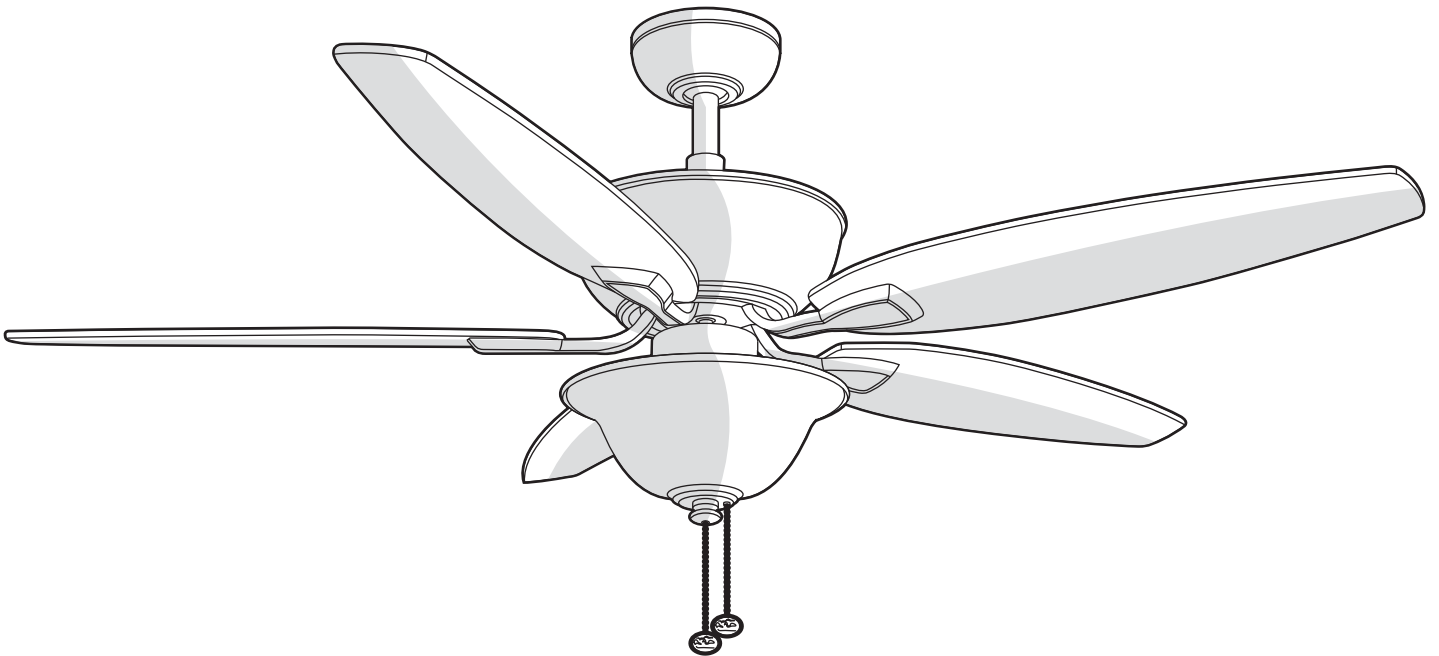


Item #1000044890  
Model #AM215-ORB

## USE AND CARE GUIDE

---

### CARROLTON II 52 IN. CEILING FAN



Questions, problems, missing parts? Before returning to the store,  
call Hampton Bay Customer Service  
8 a.m. - 6 p.m., EST, Monday-Friday

1-855-HD-HAMPTON

HAMPTONBAY.COM

---

#### **THANK YOU**

*We appreciate the trust and confidence you have placed in Hampton Bay through the purchase of this ceiling fan. We strive to continually create quality products designed to enhance your home. Visit us online to see our full line of products available for your home improvement needs. Thank you for choosing Hampton Bay!*

# Table of Contents

---

<b>Table of Contents</b> .....	<b>2</b>	<b>Operation</b> .....	<b>18</b>
<b>Safety Information</b> .....	<b>3</b>	Pull Chain Operating Instructions .....	<b>18</b>
<b>Warranty</b> .....	<b>4</b>	Reverse Switch Operating Instructions .....	<b>18</b>
<b>Pre-Installation</b> .....	<b>4</b>	<b>Care and Cleaning</b> .....	<b>19</b>
Specifications .....	<b>4</b>	<b>Troubleshooting</b> .....	<b>19</b>
Tools Required .....	<b>4</b>	<b>Service Parts</b> .....	<b>21</b>
Hardware Included .....	<b>5</b>		
Package Contents .....	<b>6</b>		
Dual Mounting Instruction .....	<b>7</b>		
<b>Installation</b> .....	<b>8</b>		
<b>Assembly</b> .....	<b>9</b>		
Standard Ceiling Mounting .....	<b>9</b>		
Close-to-Ceiling Mounting .....	<b>10</b>		
Hanging the Fan .....	<b>11</b>		
Attaching the Fan Blades .....	<b>14</b>		
Installing the Light Kit .....	<b>16</b>		

# Safety Information

1. To reduce the risk of electric shock, ensure electricity has been turned off at the circuit breaker or fuse box before beginning.
2. All wiring must be in accordance with the National Electrical Code “ANSI/NFPA 70-1999” and local electrical codes. Electrical installation should be performed by a qualified licensed electrician.
3. The outlet box and support structure must be securely mounted and capable of reliably supporting a minimum of 35 lbs. Use only UL Listed outlet boxes marked “FOR FAN SUPPORT.”
4. The fan must be mounted with a minimum of 7 ft. clearance from the trailing edge of the blades to the floor.
5. Avoid placing objects in the path of the blades.
6. To avoid personal injury or damage to the fan and other items, be cautious when working around or cleaning the fan.
7. Do not use water or detergents when cleaning the fan or fan blades. A dry dust cloth or lightly dampened cloth will be suitable for most cleaning.
8. After making electrical connections, spliced conductors should be turned upward and pushed carefully up into the outlet box. The wires should be spread apart with the grounded conductor and the equipment-grounding conductor on one side of the outlet box and ungrounded conductor on the other side of the outlet box.
9. All setscrews must be checked and retightened where necessary before installation.
10. This device complies with part 15 of the FCC Rules. Operation is subject to the following two conditions: (1) This device may not cause harmful interference, and (2) this device must accept any interference received, including interference that may cause undesired operation.



**WARNING:** To reduce the risk of electric shock, ensure electricity has been turned off at the circuit breaker or fuse box before beginning.



**WARNING:** To reduce the risk of electrical shock or fire, do not use this fan with any solid-state fan speed control device. It will permanently damage the electronic circuitry.



**WARNING:** To reduce the risk of personal injury, do not bend the blade arms (also referred to as flanges), when installing the brackets, balancing the blades or cleaning the fan.



**WARNING:** Do not insert foreign objects in-between rotating fan blades.



**WARNING:** To reduce the risk of fire, electric shock or personal injury, mount the fan to the outlet box marked acceptable for fan support with the screws provided with the outlet box.



**CAUTION:** To reduce the risk of personal injury, use only the screws provided with the outlet box.

# Warranty

We warrant the fan motor to be free from defects in workmanship and material present at time of shipment from the factory for a period of lifetime after the date of purchase by the original purchaser. We also warrant that all other fan parts, excluding any glass or acrylic blades, to be free from defects in workmanship and material at the time of shipment from the factory for a period of one year after the date of purchase by the original purchaser. We agree to correct such defects without charge or at our option replace with a comparable or superior model if the product is returned. To obtain warranty service, you must present a copy of the receipt as proof of purchase. All costs of removing and reinstalling the product are your responsibility. Damage to any part such as by accident, misuse, improper installation or by affixing any accessories, is not covered by this warranty. Because of varying climatic conditions this warranty does not cover any changes in brass finish, including rusting, pitting, corroding, tarnishing or peeling. Brass finishes of this type give their longest useful life when protected from varying weather conditions. A certain amount of "wobble" is normal and should not be considered a defect. Servicing performed by unauthorized persons shall render the warranty invalid. There is no other express warranty. We hereby disclaim any and all warranties, including but not limited to those of merchantability and fitness for a particular purpose to the extent permitted by law. The duration of any implied warranty which cannot be disclaimed is limited to the time period as specified in the express warranty. Some states do not allow limitation on how long an implied warranty lasts, so the above limitation may not apply to you. The retailer shall not be liable for incidental, consequential, or special damages arising out of or in connection with product use or performance except as may otherwise be accorded by law. Some states do not allow the exclusion of incidental or consequential damages, so the above exclusion or limitation may not apply to you. This warranty gives specific legal rights, and you may also have other rights which vary from state to state. This warranty supersedes all prior warranties. Shipping costs for any return of product as part of a claim on the warranty must be paid by the customer.

Contact the Customer Service Team at 1-855-HD-HAMPTON or visit [www.hamptonbay.com](http://www.hamptonbay.com).

# Pre-Installation

## SPECIFICATIONS

Fan size	Speed	Volts	Amps	Watts	RPM	CFM	N.W.	G.W.	C.F.
52 in.	Low	120	0.25	14.2	76	1973.53	7.84 kg (17.25 lbs.)	9.04 kg (19.89 lbs.)	1.86 ft.
	Medium		0.35	28.32	111	2945.66			
	High		0.50	59.98	163	4325.07			



**NOTE:** These are approximate measures. They do not include amps and wattage used by the light kit.



## TOOLS REQUIRED

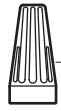


# Pre-Installation (continued)

## HARDWARE INCLUDED



**NOTE:** Hardware shown to actual size unless noted otherwise in the table below.



AA



DD



HH



LL



BB



EE



II



CC



FF



JJ



MM



GG

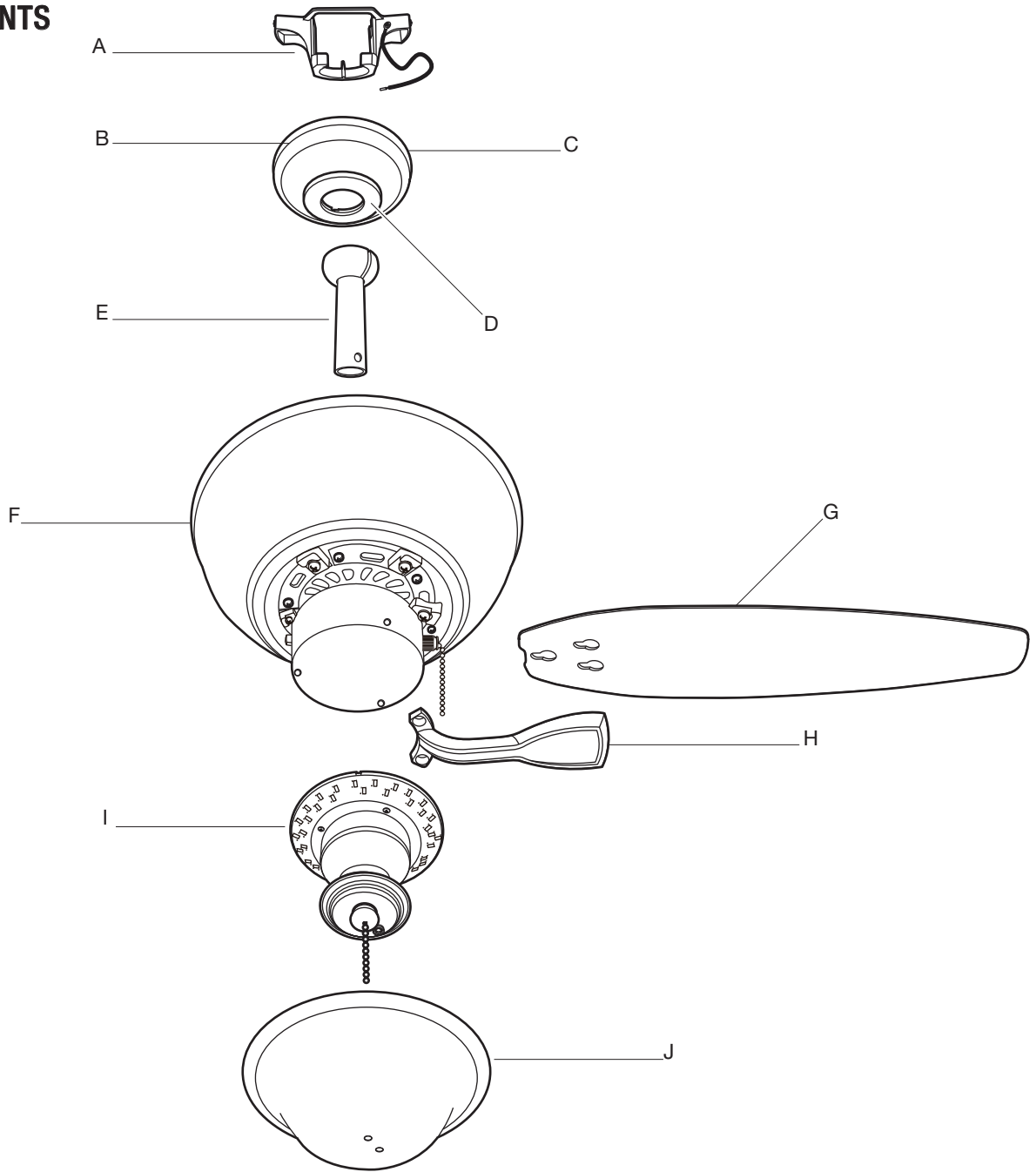


KK

Part	Description	Quantity
AA	Plastic wire nut	3
BB	Canopy mounting screw with lock washer (preassembled)	4
CC	Clevis pin (preassembled)	1
DD	Cotter pin (preassembled)	1
EE	Collar setscrews (preassembled)	2
FF	Collar mounting screws with lock washers (preassembled)	6
GG	Blade arm screw with lock washer (preassembled)	10
HH	Light kit mounting screws (preassembled)	3
II	Nut (preassembled)	1
JJ	Glass cap (preassembled)	1
KK	Decorative nut (preassembled)	1
LL	Pull chains and fobs (not to scale)	2
MM	Plastic plug (not to scale)	1

# Pre-Installation (continued)

## PACKAGE CONTENTS



Part	Description	Quantity
A	Mounting bracket (preassembled)	1
B	Canopy ring	1
C	Canopy	1
D	Canopy bottom cover	1
E	Hanger ball/downrod assembly	1

Part	Description	Quantity
F	Fan motor assembly	1
G	Blades	5
H	Blade arms	5
I	Light kit	1
J	Glass shade	1

## DUAL MOUNTING INSTRUCTIONS

This ceiling fan is supplied with two types of hanging assemblies: the standard ceiling installation using the downrod with ball and socket mounting, and the "close-to-ceiling" mounting. The "close-to-ceiling" mounting is recommended in rooms with less than 8 ft. ceilings or in areas where additional space is desired from the floor to the fan blades.

When using the standard downrod installation, the distance from the ceiling to the bottom of the fan blades will be approximately 12 in. The "close-to-ceiling" installation reduces the distance from the ceiling to the bottom of the fan blades to approximately 9 in.

Once you have decided which ceiling installation you will use, refer to the corresponding sections and procedures during the assembly period. Where necessary, each section of the instructions will note the different procedures to follow for the two types of installation.



Standard Ceiling Mounting



Close-to-Ceiling Mounting

# Installation

## MOUNTING OPTIONS

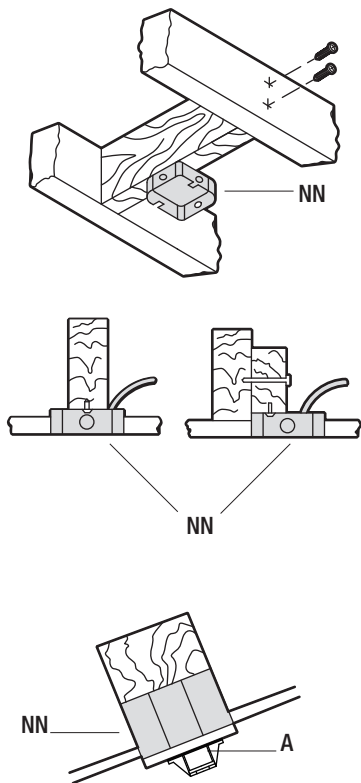


**WARNING:** To reduce the risk of fire, electric shock, or personal injury, mount the fan to an outlet box marked acceptable for fan support using the screws provided with the outlet box. An outlet box commonly used for the support of lighting fixtures may not be acceptable for fan support and may need to be replaced. If in doubt, consult a qualified electrician.

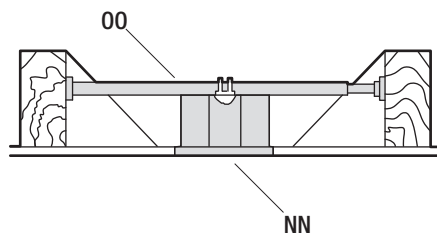
If your ceiling fan does not have an existing UL-listed mounting box, then install one using the following instructions:

- Disconnect the power by removing the fuses or turning off the circuit breakers.
- Secure the outlet box (NN) (not included) directly to the building structure. Use appropriate fasteners and materials (not included). The outlet box and its bracing must be able to fully support the weight of the moving fan (at least 35 lbs.). Do not use a plastic outlet box.

The illustrations below show three different ways to mount the outlet box (NN) (not included).



**NOTE:** You may need a longer downrod to maintain proper blade clearance when installing on a steep, sloped ceiling. The maximum angle allowable is 18° away from horizontal. If the canopy (C) touches the hanger ball/downrod assembly (E), then remove the decorative canopy bottom cover (D) and turn the canopy (C) 180° before attaching the canopy (C) to the mounting bracket (A).



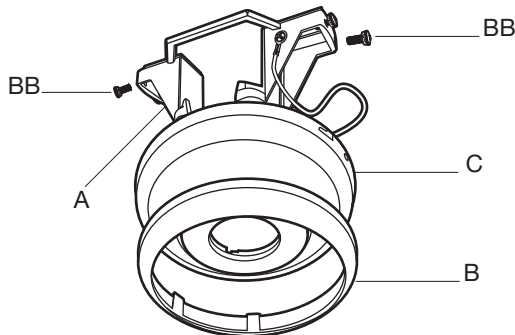
To hang your fan where there is an existing fixture but no ceiling joist, you may need an installation hanger bar (OO) (not included) as shown above.



# Assembly — Standard Ceiling Mounting

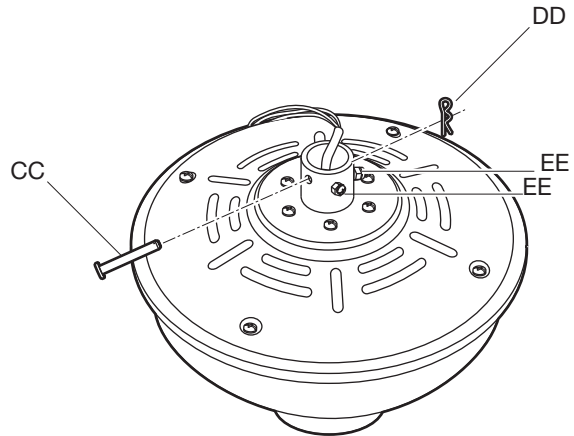
## 1 Preparing the canopy

- Remove the canopy ring (B) from the canopy (C).
- Remove the two non-slotted screws (BB) from the canopy (C), and loosen the slotted screws (BB) on the canopy (C).
- Remove the canopy (C) from the mounting bracket (A) by turning the canopy (C) counterclockwise.



## 2 Preparing the motor

- Remove the clevis pin (CC), and cotter pin (DD), and loosen the two collar setscrews (EE) from the motor collar.



## 3 Assembling the fan



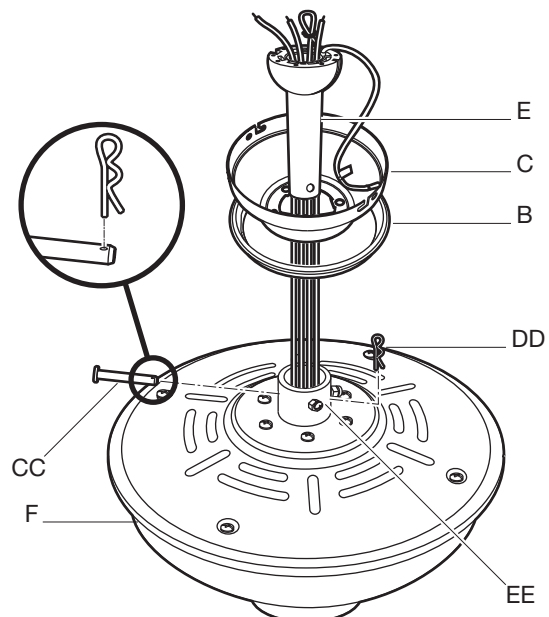
**WARNING:** Failure to properly install the cotter pin (DD) could result in the fan becoming loose and possibly falling.



**NOTE:** If a longer downrod is needed (not included), take out the screw located in the hanger ball, lower the hanger ball and remove the pin. Remove all three pieces from the downrod, and assemble them onto the new longer downrod before proceeding step 3.

- Route the wires exiting from the top of the fan motor assembly (F) through the canopy ring (B). Ensure the slot openings are on top.
- Route the wires through the canopy (C) and then through the hanger ball/downrod assembly (E).
- Align the holes at the bottom of the hanger ball/downrod assembly (E) with the holes in the collar on top of the fan motor assembly (F). Carefully insert the clevis pin (CC) through the holes in the collar and the hanger ball/downrod assembly (E). Be careful not to jam the clevis pin (CC) against the wiring inside the hanger ball/downrod assembly (E).

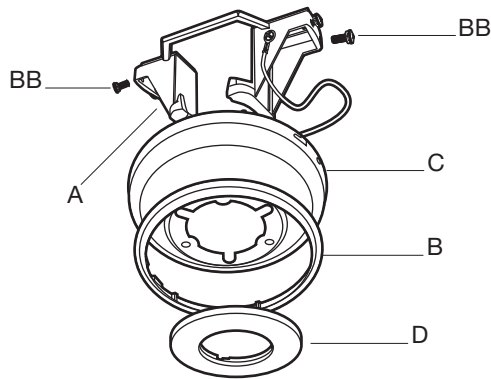
- Insert the cotter pin (DD) through the hole near the end of the clevis pin (CC) until it snaps into the locked position.
- Tighten the two collar setscrews (EE) on top of the fan motor assembly (F) firmly.



# Assembly — Close-to-Ceiling Mounting

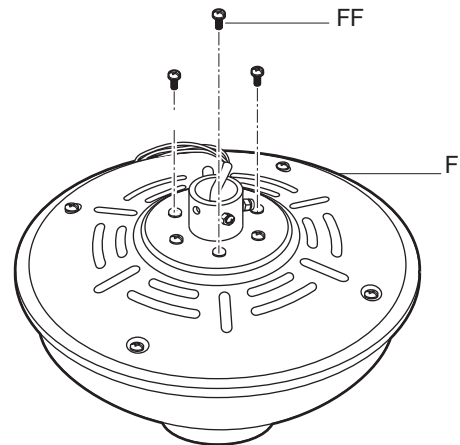
## 1 Preparing the canopy

- Remove the canopy ring (B) from the canopy (C).
- Remove the two non-slotted screws (BB) from the canopy (C), and loosen the slotted screws (BB) on the canopy (C).
- Remove the canopy bottom cover (D) from the canopy (C).



## 2 Preparing the motor

- Remove three of the six collar mounting screws with lock washers (FF) (every other one) from the collar on top of the fan motor assembly (F).

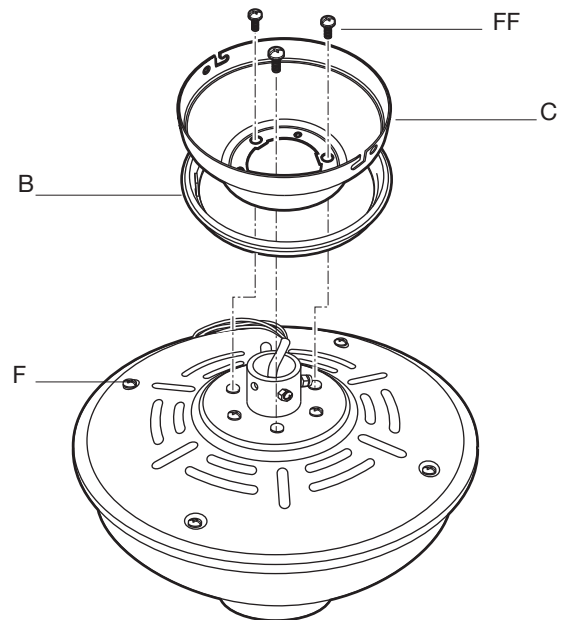


## 3 Assembling the fan



**WARNING:** Failure to completely tighten the three collar mounting screws (FF) could result in the fan becoming loose and possibly falling.

- Route the wires exiting from the top of the fan motor assembly (F) through the canopy ring (B).
- Make sure the slot openings of the canopy ring (B) are on top, and then proceed to place the canopy ring (B) and canopy (C) over the collar at the top of the fan motor assembly (F).
- Align the mounting holes in the bottom of the canopy (C) with the holes in the top of the fan motor assembly (F), and fasten using the three collar mounting screws with lock washers (FF) previously removed.
- Tighten the collar mounting screws (FF) securely.



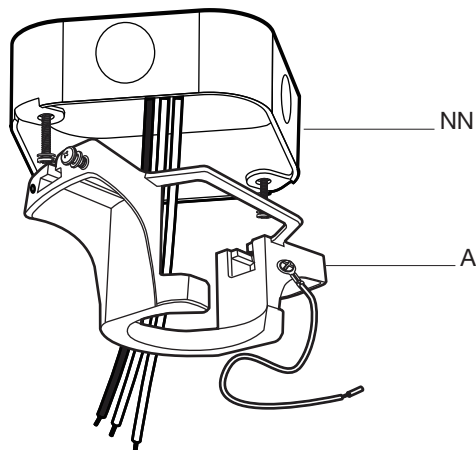
# Assembly — Hanging the Fan

## 4 Attaching the fan to the electrical box



**WARNING:** To reduce the risk of fire, electric shock or other personal injury, mount the fan only to an outlet box or supporting system marked acceptable for fan support and use the mounting screws provided with the outlet box.

- Pass the 120-volt supply wires through the center hole in the mounting bracket (A).
- Attach the mounting bracket (A) on the outlet box (NN) by sliding the mounting bracket (A) over the screws provided with the outlet box (NN). When using “close-to-ceiling” mounting, it is important that the mounting bracket (A) be level. If necessary, use leveling washers (not included) between the mounting bracket (A) and the outlet box (NN). Note that the flat side of the mounting bracket (A) is toward the outlet box (NN).
- Securely tighten the two mounting screws.

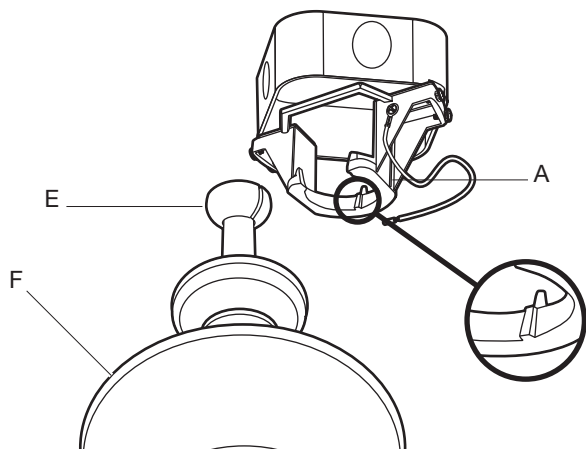


## 5a Hanging instructions for standard mounting



**WARNING:** The tab in the ring must rest in the groove of the hanger ball (E). Failure to properly seat the tab in the groove could cause damage to the wiring.

- Carefully lift the fan motor assembly (F) up to the mounting bracket (A) and seat the hanger ball (E) in the mounting bracket (A) socket. Make sure the tab on the mounting bracket socket is properly seated in the groove in the hanger ball (E). This will help to balance the ceiling fan.

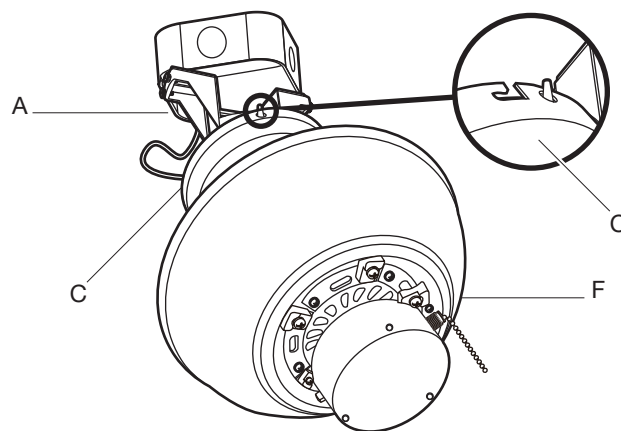


## 5b Hanging instructions for close-to-ceiling mounting



**WARNING:** The hook is only to hold the fan while attaching wiring. Failure to hang as instructed may result in the tab breaking causing the fan to fall. The hook must pass from the inside to the outside of the canopy.

- Carefully lift the fan motor assembly (F) up to the mounting bracket (A) and hang the fan on the hook provided using one of the holes at the outer rim of the canopy (C).



# Assembly — Hanging the Fan (continued)

## 6 Making the electrical connections



**WARNING:** To avoid possible electrical shock, be sure electricity is turned off at the main fuse box before wiring.



**WARNING:** Check to see that all connections are tight, including ground, and that no bare wire is visible at the wire nuts (except for the ground wire).

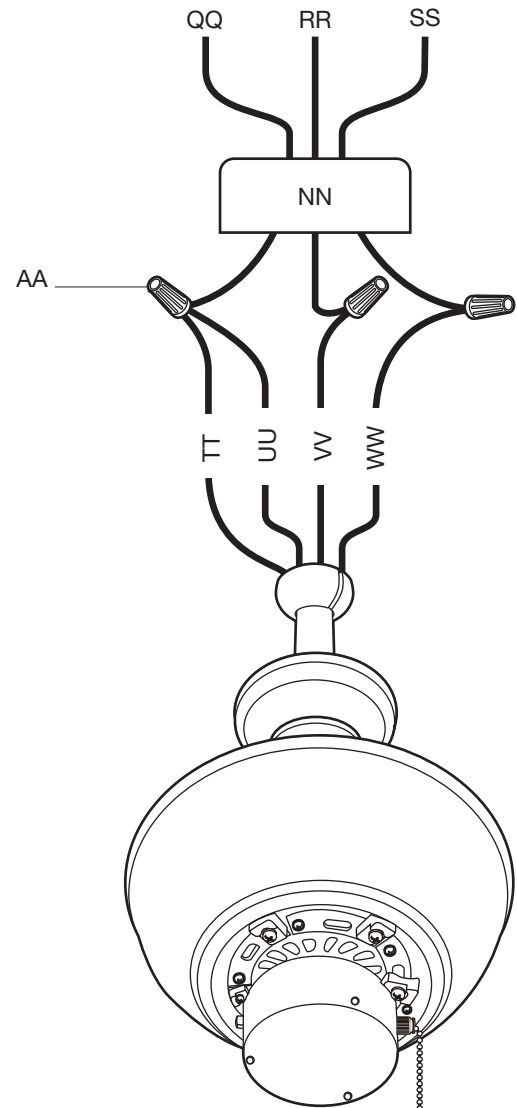


**WARNING:** To reduce the risk of fire or electric shock, do not use this fan with any solid-state speed control device.

If you feel you do not have enough electrical wiring knowledge or experience, have your fan installed by a licensed electrician.

Follow the steps below to connect the fan to your household wiring. Use the plastic wire nuts (AA) with your fan. Secure the plastic wire nuts (AA) with electrical tape. Make sure there are no loose strands or connections.

- Connect the ground conductor (SS) of the 120V supply (this may be a bare wire or a wire with green colored insulation) to the green ground lead(s) (WW) of the fan. When using standard ceiling mounting, there are two green grounding leads: one from the mounting bracket (A) and one from the hanger ball/downrod assembly (E). When using “close-to-ceiling” mounting, there is only one green ground lead (WW) from the mounting bracket (A) since the hanger ball/downrod assembly (E) is not used.
- Connect the fan motor white wire (VV) to the supply white (neutral) wire (RR) using a plastic wire nut (AA).
- Connect the fan motor black wire (UU) and the blue wire (TT) to the supply black (hot) wire (QQ) using a plastic wire nut (AA).
- Turn the wire nut connections upward, spreading them apart so the green (ground) (WW) will be on one side of the outlet box (NN) and the white (VV), black (UU) and blue wire (TT) will be on the other side, and push carefully up into the outlet box (NN).



# Assembly — Hanging the Fan (continued)

## 7a Standard ceiling mounting

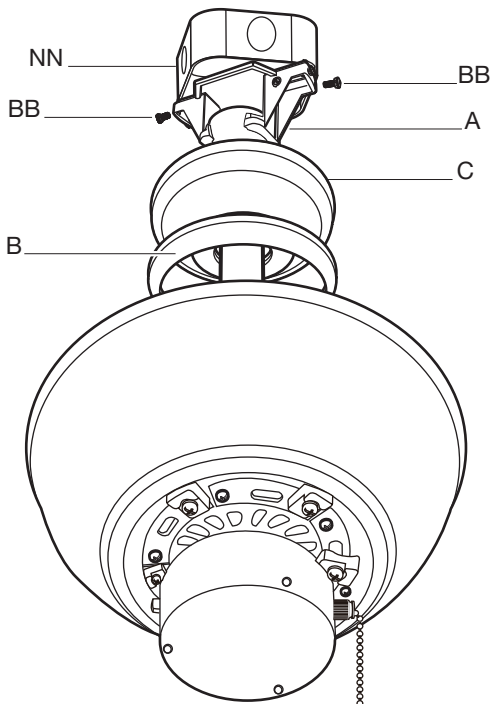


**WARNING:** Make sure the tab on the mounting bracket (A) properly sits in the groove in the hanger ball (E) before attaching the canopy (C) to the mounting bracket (A) by turning the canopy housing until it drops into place.



**WARNING:** The locking slots of the canopy (C) are provided only as an aid to mounting. Do not leave the fan assembly unattended until all four canopy screws are engaged and firmly tightened.

- Slide the canopy (C) up to the ceiling. Make sure you have placed the wires safely into the outlet box (NN).
- Secure the canopy (C) to the mounting bracket (A) with the four screws and lock washers (BB) included with your fan.
- Slide the canopy ring (B) over the canopy (C) and tighten by turning the canopy ring (B).

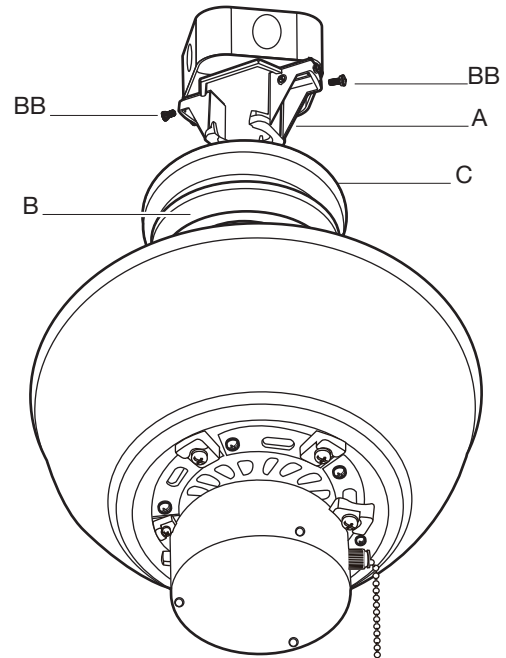


## 7b Close-to-ceiling mounting



**WARNING:** Locking slots of the canopy (C) are provided only as an aid to mounting. Do not leave the fan assembly unattended until all four canopy screws are engaged and firmly tightened.

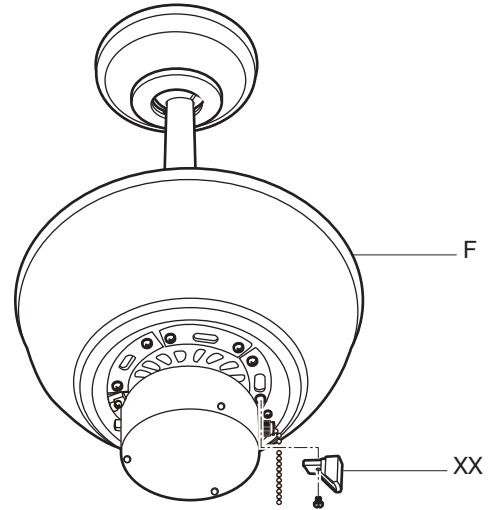
- Remove the fan from the hook on the mounting bracket (A).
- Secure the canopy (C) to the mounting bracket (A) with the four screws with lock washers (BB).
- Slide the canopy ring (B) over the canopy (C) and tighten by turning the canopy ring (B).



# Assembly — Attaching the Fan Blades

## 8 Removing the rubber packing mounts

- The fan motor assembly (F) is shipped with rubber packing mounts (XX) to prevent movement during transportation. Remove the five rubber packing mounts (XX) from the fan motor assembly (F) and discard prior to attaching the blade arms.



## 9 Attaching the blades to the blade arms



**WARNING:** Failure to properly seat the blades (G) on the blade arms (H) and engage in the spring locking mechanism (CCC) could result in the fan blades (G) loosening and possibly falling.



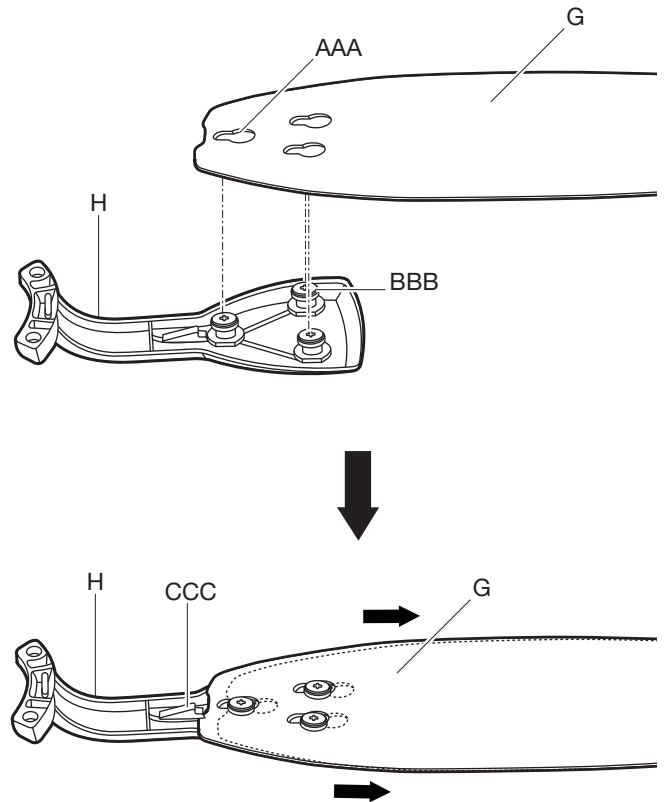
**NOTE:** Your fan blades are reversible. Select the blade side finish which best accentuates your decor.

To install the blade to the blade arm:

- Hold the blade (G) with hands close to the blade arm (H), align the key-slot holes (AAA) with the blade arm posts (BBB) and press the blade down firmly. Ensure the key-slot holes (AAA) are properly seated on the blade arm posts (BBB).
- Firmly slide the blade (G) away from the blade arm (H) until the blade (G) engages in the spring locking mechanism (CCC). Make sure the spring of the spring locking mechanism (CCC) is upward and the butt of the spring locking mechanism (CCC) is against the edge of the blade.

To detach the blade from the blade arm:

- Press down the spring locking mechanism (CCC) to release the blade (G) from the blade arm (H). Slide the blade (G) toward the blade arm (H) until the blade (G) disengages from the spring locking mechanism (CCC). Carefully push the blade (G) up to detach from the blade arm (H).



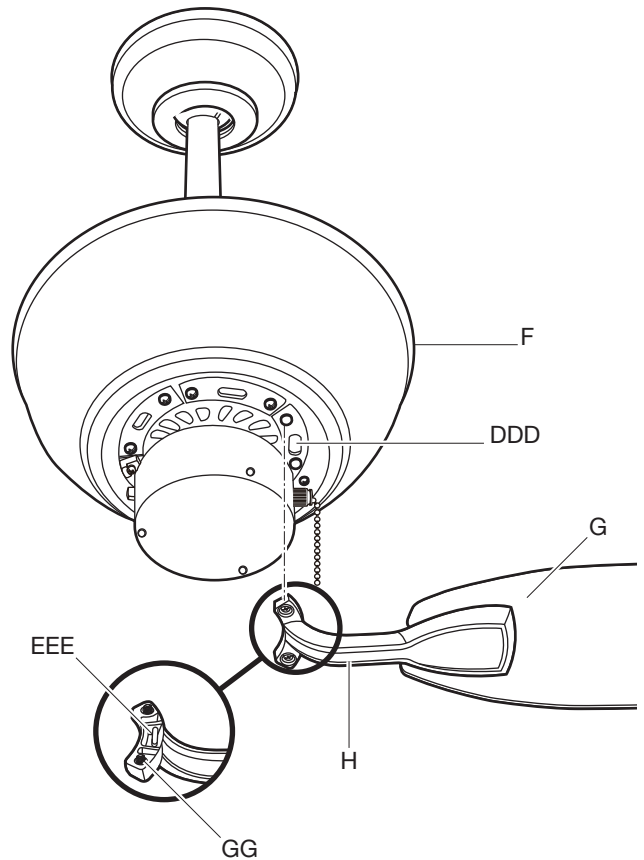
## Assembly — Attaching the Fan Blades (continued)

### 10 Fastening the blade assemblies to the motor



**WARNING:** To reduce the risk of personal injury, do not bend the blade arms (H) while installing, balancing the blades (G), or cleaning the fan. Do not insert foreign objects between rotating fan blades (G).

- Fasten the blade assemblies to the fan motor assembly (F) by lining up the slots of the motor (DDD) with the tabs on the blade arms (EEE).
- Tighten the two blade arm screws with lock washers (GG) already installed in the blade arms (H).
- Repeat this procedure for the remaining blade arms (H).





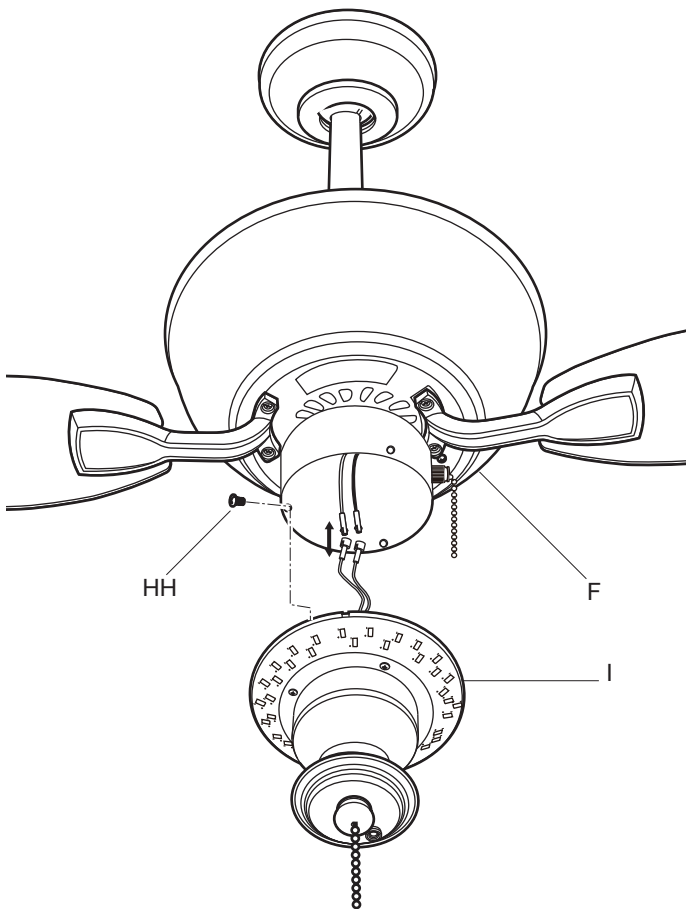
# Assembly — Installing the Light Kit

## 11 Attaching the light kit to the switch housing



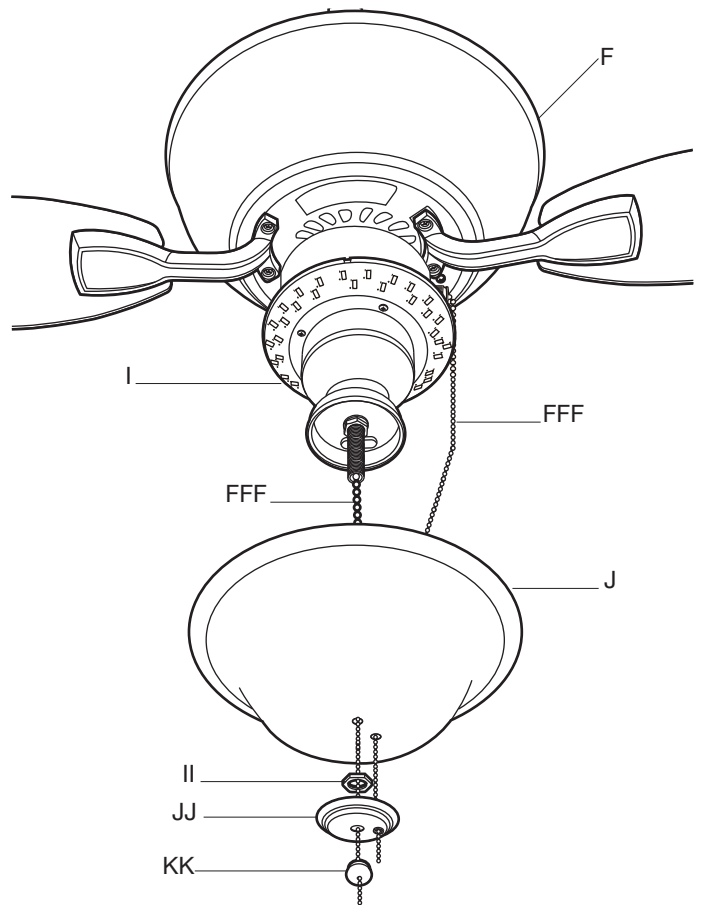
**CAUTION:** Before starting the installation, disconnect the power by turning off the circuit breaker or removing the fuse at the fuse box. Turning power off using the fan switch is not sufficient to prevent electric shock.

- Remove the three light kit mounting screws (HH) from the light kit (I) and keep these screws.
- While holding the light kit (I) under your fan motor assembly (F), locate two single white and blue wires in the switch housing labeled "FOR LIGHT". Make the polarized plug connections:
  - White to white
  - Blue to black
- Carefully push all wires back into the switch housing. Install the light kit assembly (I) onto the switch housing with the three light kit mounting screws (HH) removed previously. Be sure to tighten all screws.



## 12 Mounting the glass shade

- Remove the nut (II), glass cap (JJ) and decorative nut (KK) from the light kit (I).
- While holding the glass shade (J), slip the pull chain (FFF) from the switch housing into the outside hole in the glass shade (J).
- Feed the pull chain (FFF) from the light kit stem through the eyelet in the glass shade (J).
- Place the glass shade (J) over the light kit stem. Secure the glass shade (J) with the nut (II).
- Fit the glass cap (JJ) onto the light kit stem, and then slip the pull chain (FFF) from the side hole in the glass shade (J) through the hole on the side of the glass cap (JJ).
- Feed the pull chain (FFF) from the light kit stem through the decorative nut (KK), and then thread the decorative nut (KK) securely. Do not overtighten.

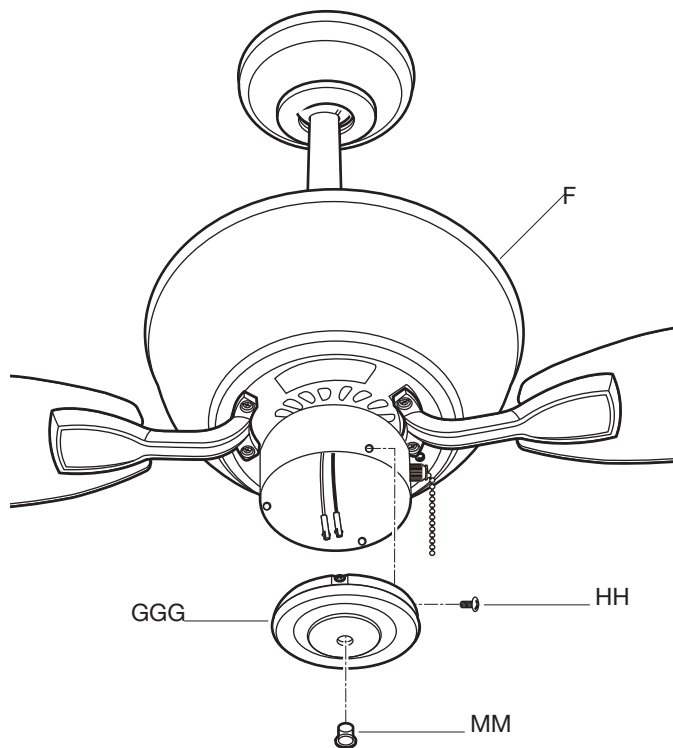




## Assembly — Installing the Light Kit (continued)

### 13 Installing the fan without the light kit (optional)

- Disassemble the switch housing cover (GGG) from the light kit. You can keep the light kit for future use.
- Attach the plastic plug (MM) to the switch housing cover (GGG).
- Install the switch housing cover (GGG) to the switch housing with light kit mounting screws (HH) provided.



# Operation

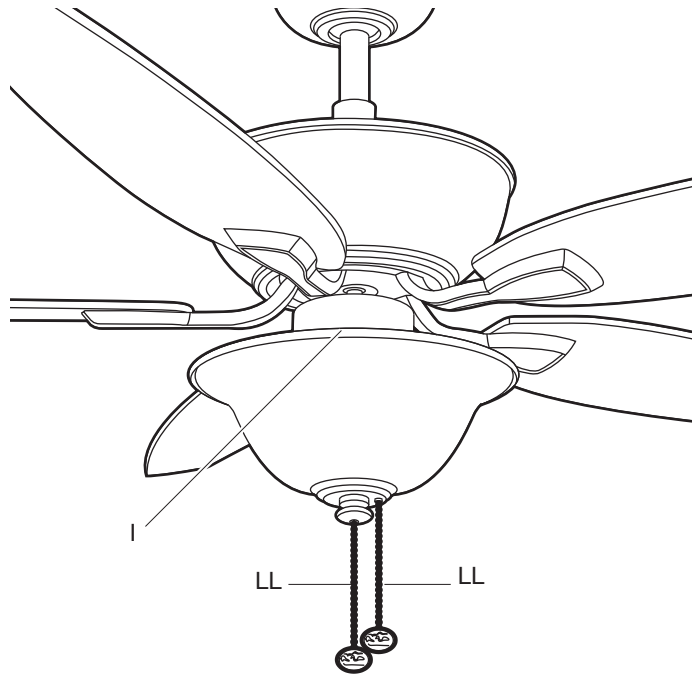
## PULL CHAIN OPERATING INSTRUCTIONS

Install two pull chains and fobs (LL) onto the pull chains located in the switch housing and light kit (I). Turn on the power and check the operation of the fan.

The pull chain controls the fan speed as follows:  
1 pull - High, 2 pulls - Medium, 3 pulls - Low, and 4 pulls - Off.

Speed settings for warm or cool weather depend on factors such as the room size, ceiling height, and number of fans.

To turn the light kit "ON" or "OFF", pull the chain that is attached to the light kit (I).



## REVERSE SWITCH OPERATING INSTRUCTIONS

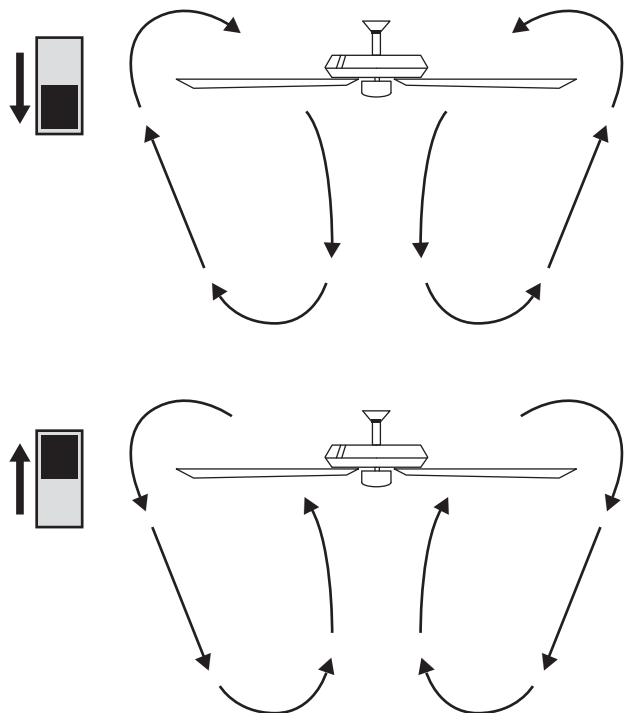
The reverse switch is located on the surface of the switch housing. This switch controls directions: forward (switch down) or reverse (switch up).



**NOTE:** Wait for the fan to stop before reversing the direction of the blade rotation.

**Warm weather - (Counterclockwise Direction)** A downward air flow creates a cooling effect. This allows you to set your air conditioner on a warmer setting without affecting your comfort.

**Cool weather - (Clockwise Direction)** An upward air flow moves warm air off the ceiling. This allows you to set your heating unit on a cooler setting without affecting your comfort.



## Care and Cleaning

### Do

- Check the support connections, brackets, and blade attachments twice a year. Make sure they are secure. Because of the fan's natural movement, some connections may become loose over time. It is not necessary to remove the fan from the ceiling.
- Clean your fan periodically. Use only a soft brush or lint-free cloth to avoid scratching the finish. The plating is sealed with a lacquer to minimize discoloration or tarnishing.
- (Optional) Apply a light coat of furniture polish to the wood blades.
- (Optional) Cover small scratches with a light application of shoe polish.

### Do not

- Use water when cleaning. Water could damage the motor, or the wood, or possibly cause an electrical shock.
- Apply oil to your fan or motor. The motor has permanently-lubricated sealed ball bearings.

## Troubleshooting



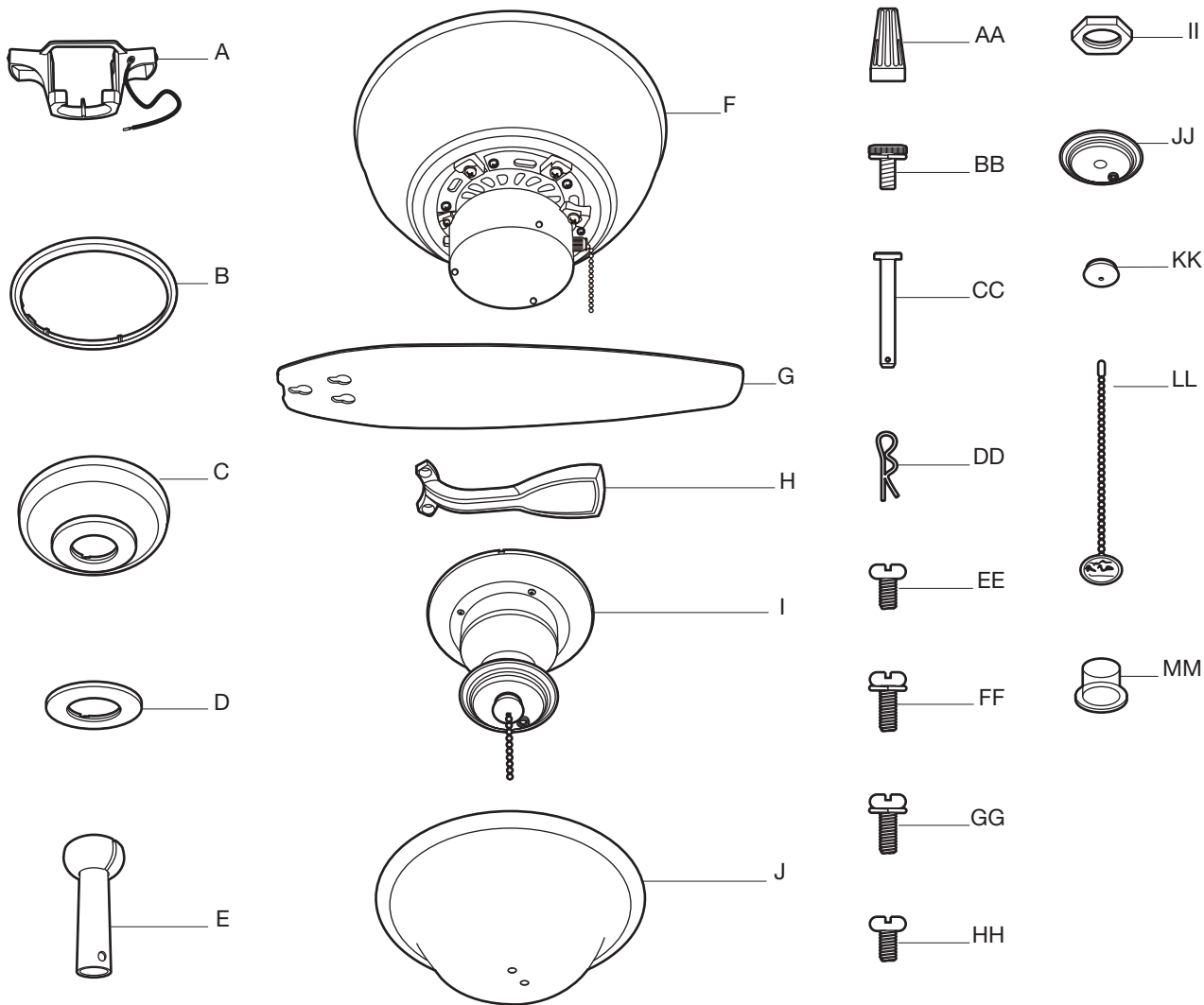
**WARNING:** Make sure the power is off at the electrical panel box before you attempt any repairs. Refer to the section "Making the Electrical Connections" on page 12.

Problem	Solution
The fan will not start.	□ Check the main and branch circuit fuses or breakers.
	□ Check the line wire connections to the fan and switch wire connections in the switch housing.
The fan sounds noisy.	□ Make sure all motor housing screws are snug.
	□ Make sure the screws that attach the fan blade arm to the motor hub are tight.
	□ Make sure wire nut connections are not rattling against each other or the interior wall of the switch housing.
	□ Allow a 24-hour "breaking-in" period. Most noises associated with a new fan disappear during this time.
	□ Make sure there is a short distance from the ceiling to the canopy. It should not touch the ceiling.
	□ Make sure your ceiling box is secure and rubber isolator pads are used between the mounting bracket and outlet box.

## Troubleshooting (continued)

Problem	Solution
The fan wobbles.	<p data-bbox="396 300 1468 384">□ Verifica que todas las aspas y los tornillos de los soportes de aspas estén seguros (la mayoría de los problemas de oscilación del ventilador se deben a piezas sueltas). Una vez que el ventilador ha sido instalado correctamente, enciéndelo durante 10 minutos para que se autoajuste.</p> <p data-bbox="444 415 1443 470">Si luego de 10 minutos de estar encendido el ventilador aún oscilara, verifica el nivel de las aspas utilizando el siguiente procedimiento:</p> <ul data-bbox="444 504 1500 793" style="list-style-type: none"><li data-bbox="444 504 1500 617">- Ubica un punto en el techo sobre la punta de una de las aspas, luego elige cualquier aspa del ventilador y mide desde el centro del aspa seleccionada hasta el punto en el techo. Rota el ventilador hasta que la siguiente aspa esté posicionada y repite la medición utilizando el mismo punto en el techo para cada aspa. Las desviaciones de la medición deben estar dentro de 3.2 mm.</li><li data-bbox="444 648 1500 703">- Si todas las desviaciones son menores a 3.2 mm y el ventilador continúa oscilando, llama al servicio al cliente al (1-855-HD-HAMPTON) para ordenar sin costo alguno un kit de compensación de aspas.</li><li data-bbox="444 735 1500 793">- Si la desviación es mayor a 3.2 mm, llama al servicio al cliente al (1-855-HD-HAMPTON) para ordenar sin costo alguno los reemplazos de los soportes.</li></ul>

# Service Parts



Part	Description
A	Mounting bracket (preassembled)
B	Canopy ring (preassembled)
C	Canopy
D	Canopy bottom cover (preassembled)
E	Hanger ball/downrod assembly
F	Fan motor assembly
G	Blades
H	Blade arms
I	Light kit
J	Glass shade

Part	Description
AA	Plastic wire nut
BB	Canopy mounting screw with lock washer (preassembled)
CC	Clevis pin (preassembled)
DD	Cotter pin (preassembled)
EE	Collar setscrews (preassembled)
FF	Collar mounting screws with lock washers (preassembled)
GG	Blade arm screw with lock washer (preassembled)
HH	Light kit mounting screws (preassembled)
II	Nut (preassembled)
JJ	Glass cap (preassembled)
KK	Decorative nut (preassembled)
LL	Pull chains and fobs
MM	Plastic plug



Questions, problems, missing parts? Before returning to the store,  
call Hampton Bay Customer Service  
8 a.m. - 6 p.m., EST, Monday-Friday

**1-855-HD-HAMPTON**

**HAMPTONBAY.COM**

Retain this manual for future use.

**AM2150RB001-A**