

HANOVER®

Hanover Outdoor Furniture



IMPORTANT

If you have any problems with this product (missing or damaged parts, assembly issues, etc.),

PLEASE DO NOT RETURN TO THE RETAILER/STORE

from where you purchased the product.

Please call our Toll-Free Customer Service Hotline at: **1-866-851-8438**

Between 9:00 AM and 5:00 PM Eastern Time, Monday through Friday

Or visit our website at: **www.hanover-products.com**

To expedite any future warranty claims, please retain the Instruction Sheet, Warranty Card and receipt for future use.

For additional on-line support on assembly, troubleshooting and care & maintenance of your outdoor furniture, please visit our website at: **www.hanover-products.com**.

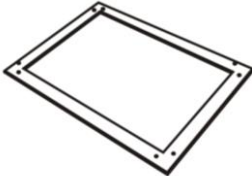


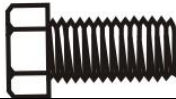




CAUTION: Read all the instruction before assembly.

Failure to do so may result in faulty assembly and potential injury!

Assemble the item on a soft, non-abrasive surface such as a carpet or cardboard to avoid damaging the item. Seek assistance to assemble bulky or heavy items.

After final alignment, make sure all bolts, nuts and nut covers are securely tightened.

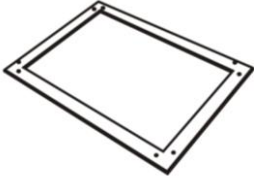
PARTS LIST

Item	Part Name	Picture	Qty
A	Table Rim		1
B	Table Leg		4
C	Leg Connector		1
D	M6x20mm Hex Head Bolt		16
E	M6 Washer		16
F	Bolt Cap		16
G	Hex Wrench		2
H	Ceramic Tile		1

Assembly Steps:

Step1:

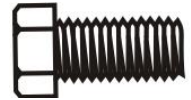
Part# A x1



Part# B x 4



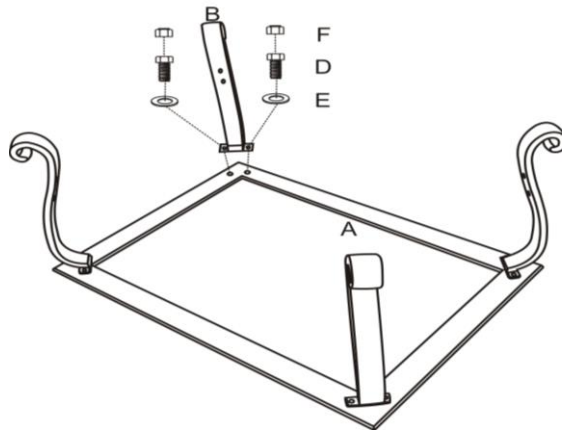
Part# D x 8



Part# E x 8



Part# F x 8



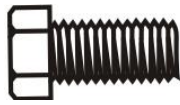
NOTE: DO NOT tighten the bolts completely at this step.

Step2:

Part# C x 1



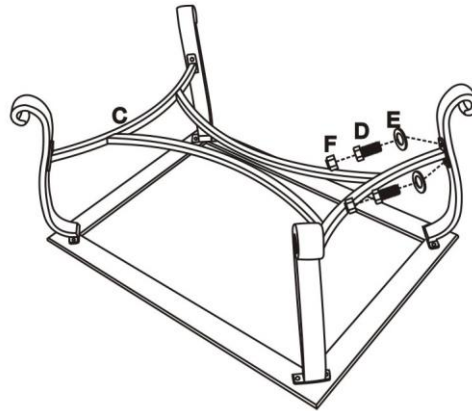
Part# D x 8



Part# E x 8



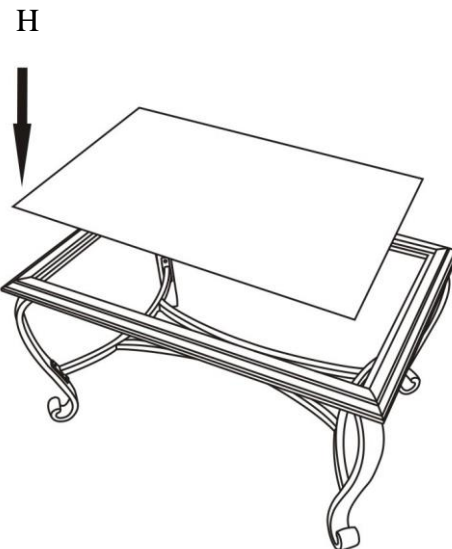
Part# F x 8



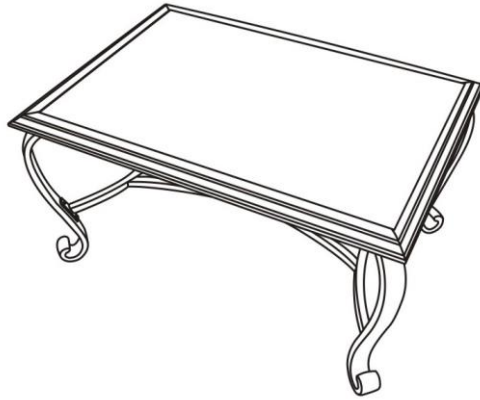
NOTE: Once all bolts are in place tighten completely.

Step 3:

Part# H x 1



Now your table is ready for your enjoyment!

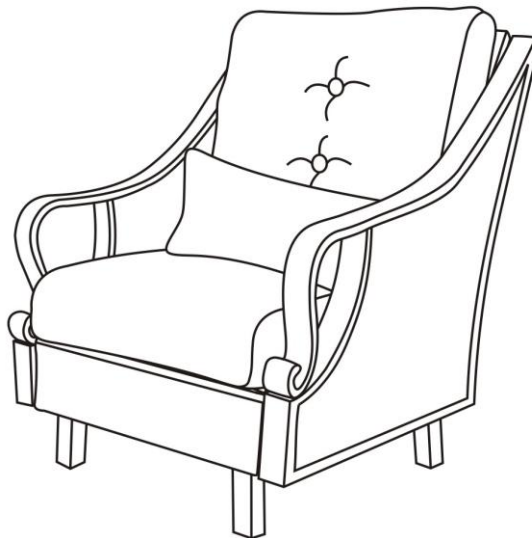


WARNING:

1. Do not crawl, stand, or sit on tile table tops.
2. Do not set or lay heavy items on tile table tops.
3. Avoid extreme hot & cold items being placed on tile table tops.



Ventura Lounge Chair Owner's Manual



If you have any problems with this product, DO NOT RETURN IT TO THE STORE.
CALL OUR CUSTOMER SERVICE HOT-LINE AT
866-391-4908
8am-5pm (EST), Monday-Thursday
8am-4pm (EST), Friday.

WARRANTY

In order to activate your warranty please register at www.bjifurniture.com. There you can review our full warranty details and other helpful information. Or, you may call us at 1 866-391-4908, 8am - 5pm (EST), Monday – Thursday, 8am – 4pm(EST), Friday.

THIS IS A RESIDENTIAL WARRANTY AND DOES NOT APPLY FOR COMMERCIAL USE.

Care and Maintenance

Be careful to never allow water to build up in frames as this will cause corrosion and freeze damage in cold climates. Wash all frames with a solution of mild soap and water. Rinse with clean water and dry with a soft absorbent cloth towel. Frames can be treated with a liquid wax for maximum protection against UV rays and/or salty damp air. If your set includes cushions, slings, and/or an umbrella they may be cleaned by hand with a solution of soap and water with a clean water rinse. (Never machine wash cushions, slings or umbrella covers as this will result in shrinkage or damage).

After cleaning cushions tip on end and allow to drip dry. (Never use a commercial or home dryer to tumble dry fabric goods).

Do not use bleach or solvents to clean any product! This will void the warranty.

Lack of original receipt will void warranty!





CAUTION: Read all the instruction before assembly.


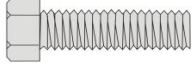
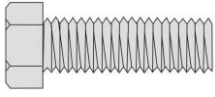

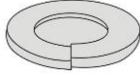

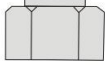
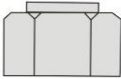


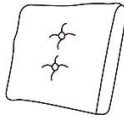

Failure to do so may result in faulty assembly and potential injury!

Assemble the item on a soft, non-abrasive surface such as a carpet or cardboard to avoid damaging the item. Seek assistance to assemble bulky or heavy items.

After final alignment, make sure all bolts, nuts and nut covers are securely tightened.

PARTS LIST

Item	Part Name	Picture	Qty
A	Back Frame		1
B	Right Arm		1
C	Left Arm		1
D	Seat Frame		1

E	Base		1
F	M6x45mm Hex Head Bolt		8
G	M8x45mm Hex Head Bolt		4
H	M6 Washer		8
I	M8 Spring Washer		4
J	M8 Nut		4
K	Bolt Cap (M6)		8
L	Bolt Cap (M8)		4
M	Hex Wrench		2
N	Seat Cushion		1
O	Back Cushion		1
P	Lumbar Pillow		1

Assembly Steps:

Step1:

Part# A x 1



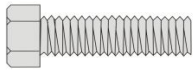
Part# B x 1



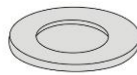
Part# C x 1



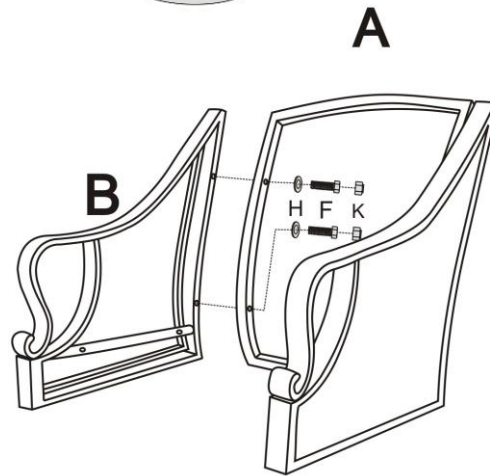
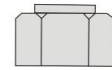
Part# F x 4



Part# H x 4



Part# K x 4



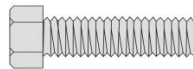
NOTE: DO NOT tighten the bolts completely at this step.

Step2:

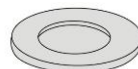
Part# D x 1



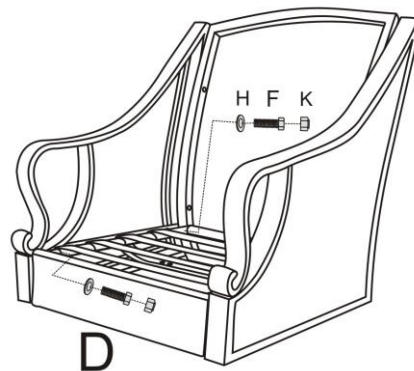
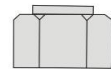
Part# F x 4



Part# H x 4



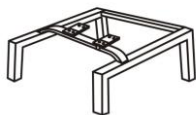
Part# K x 4



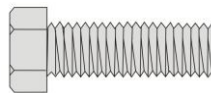
NOTE: DO NOT tighten the bolts completely at this step.

Step3:

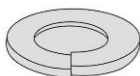
Part# E x 1



Part# G x 4



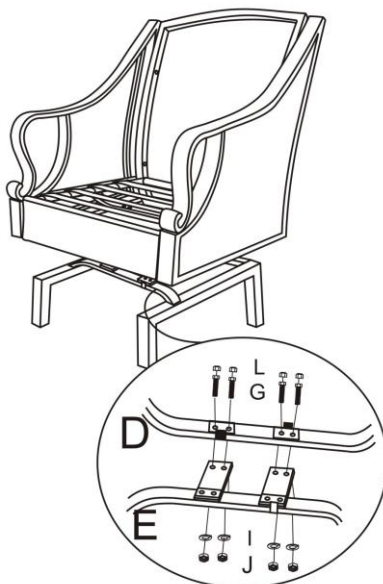
Part# I x 4



Part# J x 4



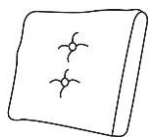
Part# L x 4



NOTE: Once all bolts are in place tighten completely.

Step4:

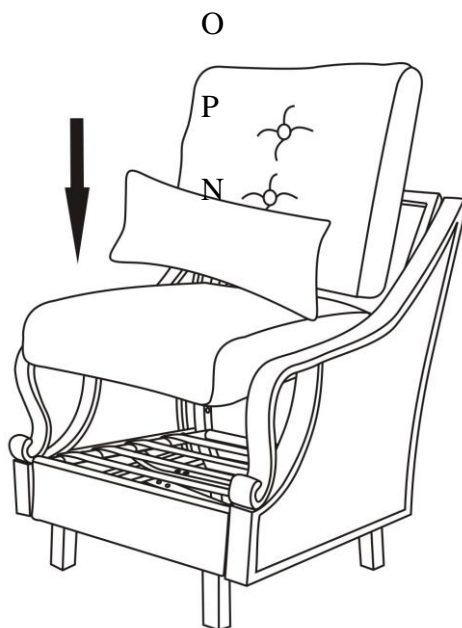
Part# O x 1



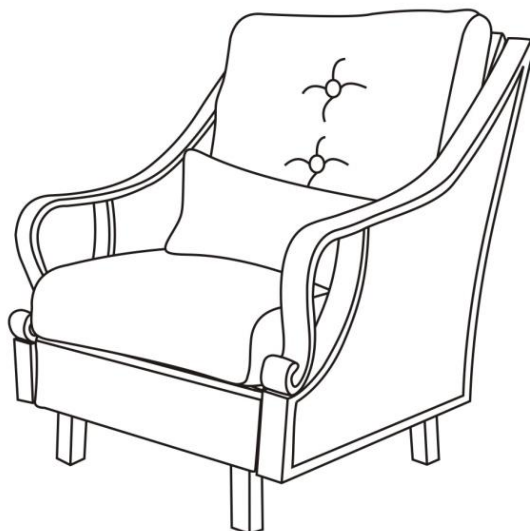
Part# P x 1



Part# N x 1

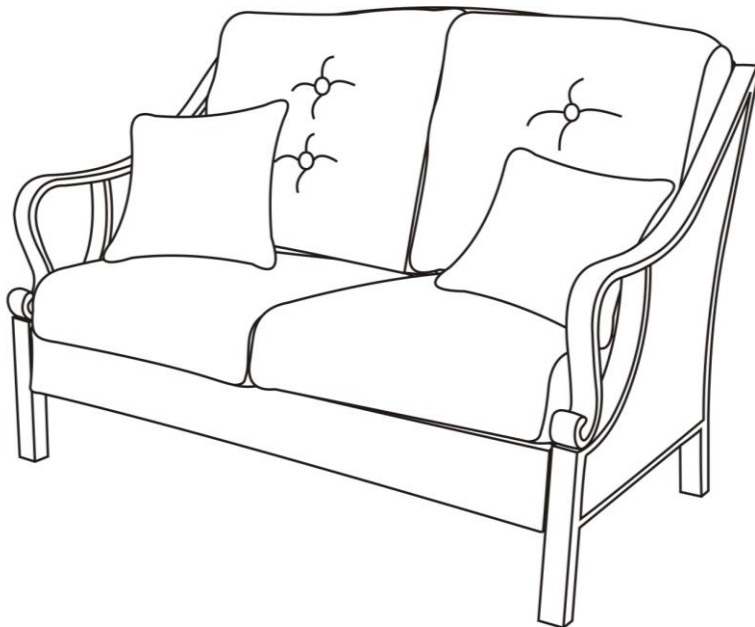


Now the fixed arm rocker is ready for your enjoyment.





Ventura Loveseat Owner's Manual



If you have any problems with this product, DO NOT RETURN IT TO THE
STORE. CALL OUR CUSTOMER SERVICE HOT-LINE AT

866-391-4908

8am-5pm (EST), Monday-Thursday

8am-4pm (EST), Friday.

WARRANTY

In order to activate your warranty please register at www.bjifurniture.com. There you can review our full warranty details and other helpful information. Or, you may call us at 1 866-391-4908, 8am - 5pm (EST), Monday – Thursday, 8am – 4pm(EST), Friday.

THIS IS A RESIDENTIAL WARRANTY AND DOES NOT APPLY FOR COMMERCIAL USE.

Care and Maintenance

Be careful to never allow water to build up in frames as this will cause corrosion and freeze damage in cold climates. Wash all frames with a solution of mild soap and water. Rinse with clean water and dry with a soft absorbent cloth towel. Frames can be treated with a liquid wax for maximum protection against UV rays and/or salty damp air. If your set includes cushions, slings, and/or an umbrella they may be cleaned by hand with a solution of soap and water with a clean water rinse. (Never machine wash cushions, slings or umbrella covers as this will result in shrinkage or damage).

After cleaning cushions tip on end and allow to drip dry. (Never use a commercial or home dryer to tumble dry fabric goods).

Do not use bleach or solvents to clean any product! This will void the warranty.

Lack of original receipt will void warranty!




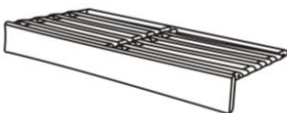
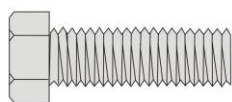
CAUTION: Read all the instruction before assembly.

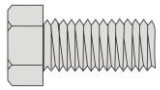



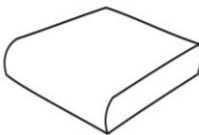


Failure to do so may result in faulty assembly and potential injury!

Assemble the item on a soft, non-abrasive surface such as a carpet or cardboard to avoid damaging the item. Seek assistance to assemble bulky or heavy items.

After final alignment, make sure all bolts, nuts and nut covers are securely tightened.

PARTS LIST

Item	Part Name	Picture	Qty
A	Back Frame		1
B	Right Arm		1
C	Left Arm		1
D	Seat Frame		1
E	M6x45mm Hex Head Bolt		8

F	M6x15mm Hex Head Bolt		1
G	M6 Washer		9
H	Bolt Cap		9
I	Hex Wrench		1
J	Seat Cushion		2
K	Back Cushion		2
L	Toss Pillow		2

Assembly Steps:

Step1:

Part# A x1



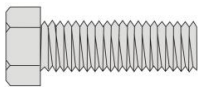
Part# B x1



Part# C x1



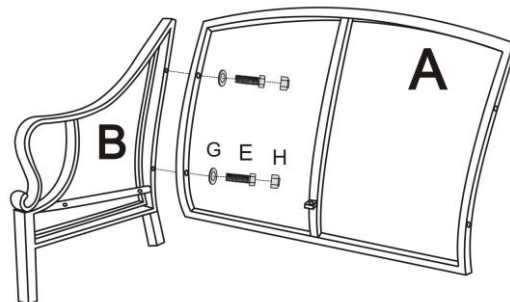
Part# E x 4



Part# G x 4



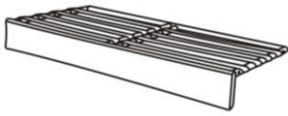
Part# H x 4



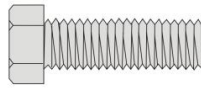
Note: DO NOT tighten the bolts completely at this step.

Step2:

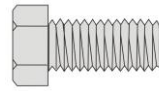
Part# D x 1



Part# E x 4



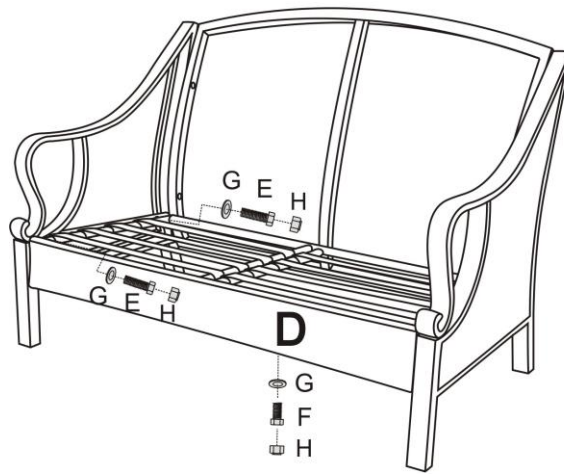
Part# F x 1



Part# G x 5



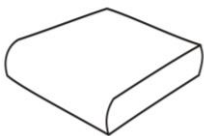
Part# H x 5



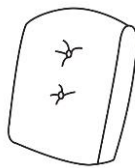
Note: Tighten completely until all bolts are in place.

Step3:

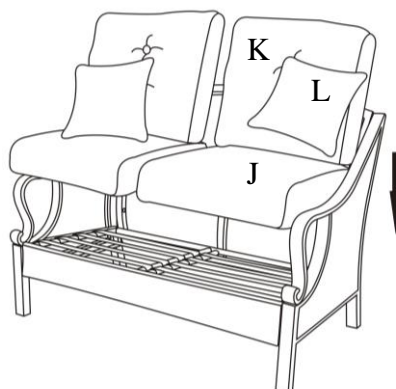
Part# J x 2



Part# K x 2



Part# L x 2



Now the loveseat is ready for your enjoyment.

