

Features

- Safeguard® slip-resistant finish for added safety
- 60"L x 32"W x 16-1/4"H
- Standard 5' x 32" size for alcove installation
- Integral apron for quick installation
- KOHLER® enameled cast iron
- Designed for one-person bathing

Recommended Products/Accessories

K-1491 Bath/Whirlpool Pillow
K-1601 Bath/Whirlpool Footstop
K-7160-AF Clearflo Bath Drain
K-7213 27" Cable Bath Drain
K-7214 27" Cable Bath Drain
K-7259 Clearflo Bath Drain
K-702200-G54 Frameless Sliding Bath Door
K-702200-G73 Frameless Sliding Bath Door
K-702200-L Frameless Sliding Bath Door
K-702205-L Frameless Sliding Bath Door
K-706000-D3 Frameless Sliding Bath Door
K-706000-L Frameless Sliding Bath Door
K-706003-L Frameless Sliding Bath Door
K-706004-D3 Frameless Sliding Bath Door
K-706004-L Frameless Sliding Bath Door
K-706007-L Frameless Sliding Bath Door
K-7160-TF Bath Drain



ADA

Codes/Standards





ASME A112.19.1/CSA B45.2
ASTM F462
ADA
ICC/ANSI A117.1

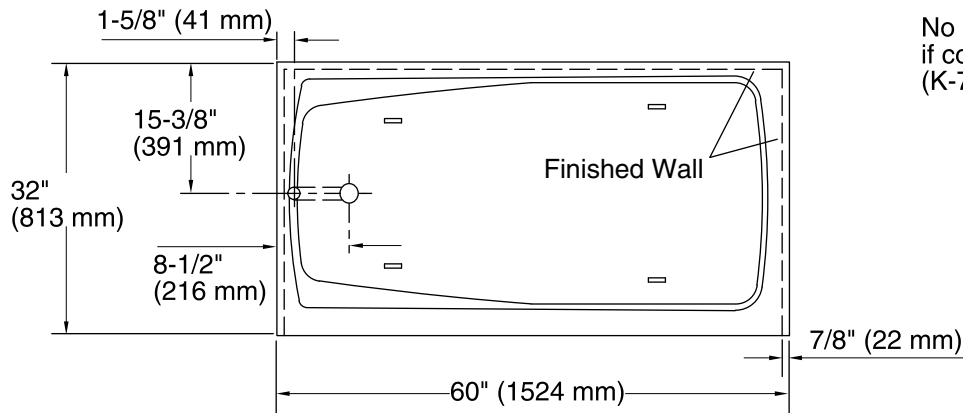
KOHLER® Enameled Cast Iron Bath and Shower Base Lifetime Limited Warranty

See website for detailed warranty information.

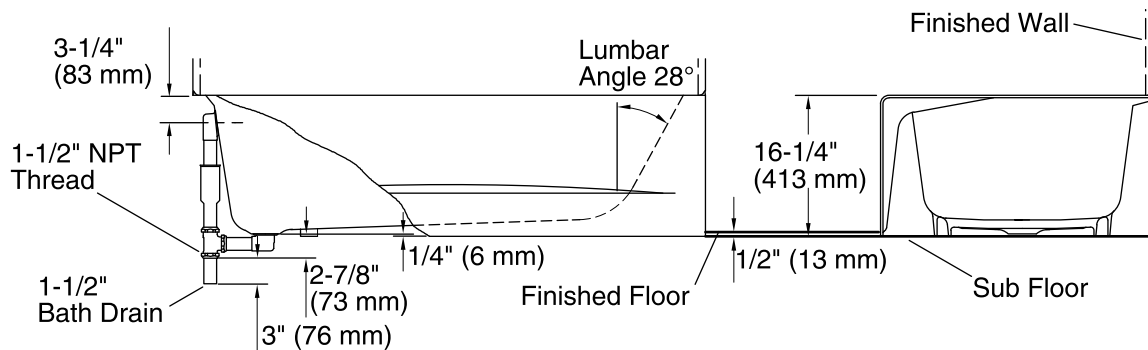
Available Colors/Finishes

Color tiles intended for reference only.

Color	Code	Description
	0	White
	96	Biscuit
	47	Almond
	55	Innocent Blush™



No change in measurements if connected with drain illustrated. (K-7160-TF)



Technical Information

All product dimensions are nominal.

Installation:	Three-wall alcove
Drain location:	Left
Basin area, bottom:	46" x 20" (1168 mm x 508 mm)
Basin area, top:	54" x 24" (1372 mm x 610 mm)
Weight:	351 lbs (159.2 kg)
Minimum floor load:	56 lbs/ft ² (273.4 kg/m ²)
Water depth:	10-7/8" (276 mm)
Water capacity:	45 gal (170.3 L)
Minimum flat for door:	2" (51 mm)

Notes

- Measure your actual product for rough-in details. Install this product according to the installation instructions.
- The hot water supply should be 70% of the capacity of the bath or greater. Installations will vary.
- Measure your actual product for roughing-in details.
- Hot water supply should be 70% of capacity or greater. Installations will vary.
- ADA compliant when installed to the specific requirements of these regulations.