



HILLSDALE
KIDS & TEEN

LOFT BED IN A BOX TWIN WOOD LOFT BED WITH TABLE

Item No. 110522; 110523; 110524; 110525



SAFETY WARNINGS

SAFETY FIRST!

All of Hillsdale's Bunkbeds were designed and manufactured with **your child's safety as our top priority.**

Their unparalleled strength is a bi-product of the safety design. Our bunks meet all compliance with ASTM F 1427-07 "Standard Consumer Safety Specification for Bunk Beds" and Code of Federal Regulations (CFR) 1213 "Safety Standards for Entrapment Hazards in Bunk Beds" and (CFR)1513 "Requirements for Bunks Bed".

Safety is a cooperative effort between us as the manufacturer, and you as a guardian. **Please read and consider the warnings listed on this page** when choosing a mattress and discussing rules of use with your child.

REPLACEMENT PARTS

Replacement parts, including additional guardrails, may be obtained from any of **Hillsdale's** dealers.

1. Follow the information on the warnings appearing on the upper Bunk end structure and on the carton. Do not remove warning label from bed.
2. Always use the recommended size mattress or mattress support, or both, to help prevent entrapment or falls.
3. Surface of mattress must be at least 5 inches (127mm) below the upper edge of guardrails.
4. Do not allow children under 6 years of age to use the upper Bunk.
5. Prohibit more than one person on the upper Bunk.
6. Periodically, check and ensure that the guardrail, ladder, and other components are in their proper position, free from damage, and that all connectors are tight.
7. Do not allow horseplay on or under the bed and prohibit jumping on the bed.
8. Always use the ladder for entering and leaving the upper Bunk.
9. Do not use substitute parts. Contact the manufacturer or dealer for replacement parts.
10. Use of a nightlight may provide added safety precaution for a child using the upper Bunk.
11. Always use guardrails on both long sides of the upper Bunk. If bunk bed will be placed next to the wall, the guardrail that runs the full length of the bed should be placed against the wall to prevent entrapment between the bed and wall.
12. The use of water or sleep flotation mattresses is prohibited.
13. **Keep these instructions for future reference.**



STRANGULATION HAZARD

Never attach or hang items to any part of the bunk bed that are not designed for use with the bed; including, but not limited to, hooks, belts and jump ropes.

SIZE OF MATTRESS AND FOUNDATION

Use only mattress which is 75 inches long and 37½ to 38½ inches wide on upper Bunk. Ensure thickness of mattress does not exceed 8 inches and the mattress is at least 5 inches below upper edge of guardrails.

LOFT BED IN A BOX TWIN WOOD LOFT BED WITH TABLE

Item No. 110522; 110523; 110524; 110525

INTRODUCTION

Enclosed please find simple step-by-step instructions to help you quickly assemble your product. Before you begin, we recommend that you follow the steps below.

1. Please read the instructions thoroughly
2. Identify all parts and hardware
3. Gather the tool(s) necessarily
4. 2 adults required for assembly

To protect your parts during assembly, please place them on a soft surface. To clean surface, use only water on a damp cloth. Do not use window cleaners or cleaning abrasives as it will scratch the surface and could damage the protective coating.

CUSTOMER SUPPORT

If you are missing parts or need assistance with your product, please contact the retailer from whom you purchased the product. When you call or email, please include the Product's Item Number and PO Number which is located on the Production Tracking Sticker. This sticker can be found on the bottom, inside or back of your product.



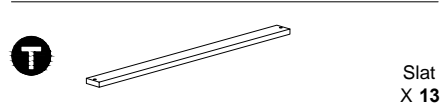
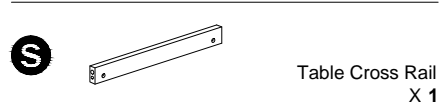
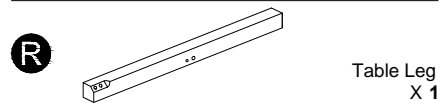
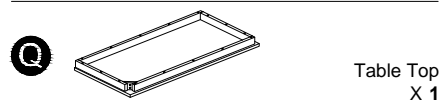
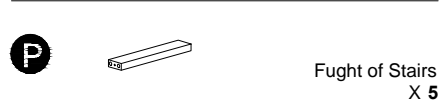
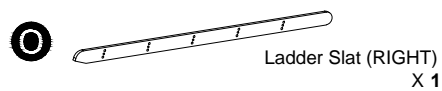
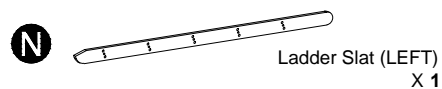
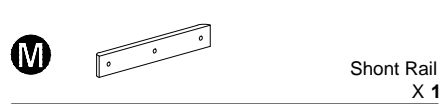
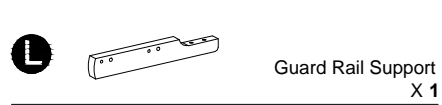
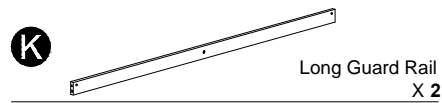
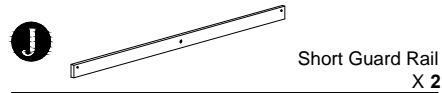
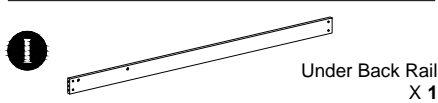
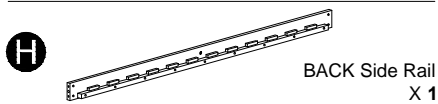
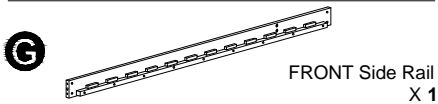
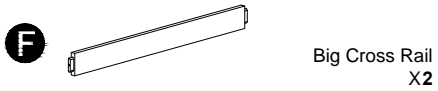
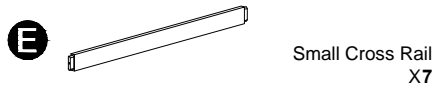
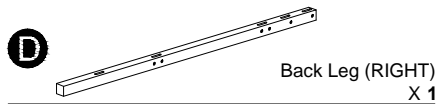
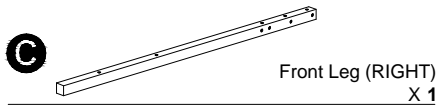
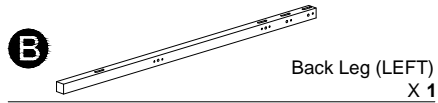
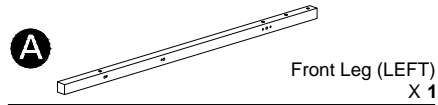
**Fully Assembled
LOFT BED WITH TABLE**



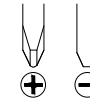
HILLSDALE
KIDS & TEEN

PARTS LIST

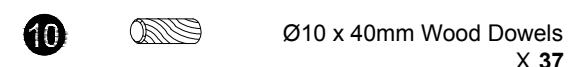
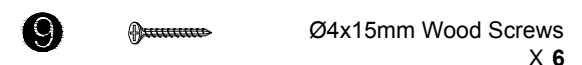
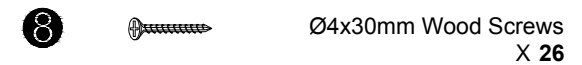
PARTS IDENTIFICATION



Other Tools Required
(Not Included)
.Phillips Screwdriver
.Flathead Screwdriver



HARDWARE FOR LOFT BED



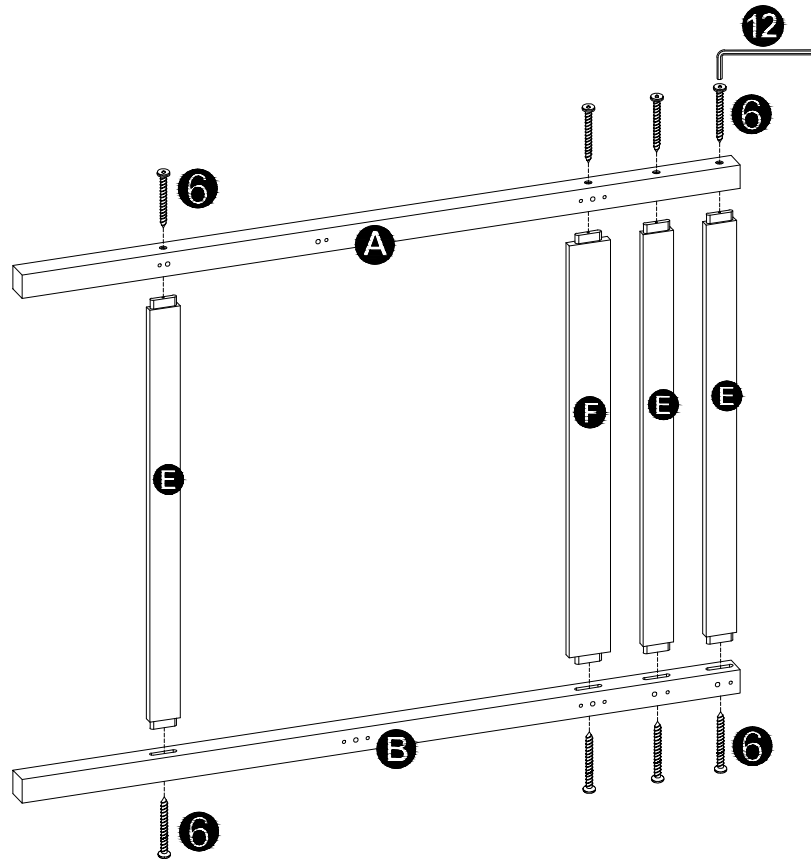
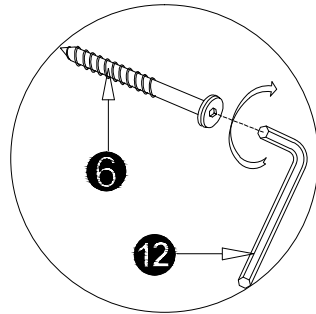
For **LOFT** assembly
go to **Page 4**

For **LOFT** assembly
go to **Page 4**

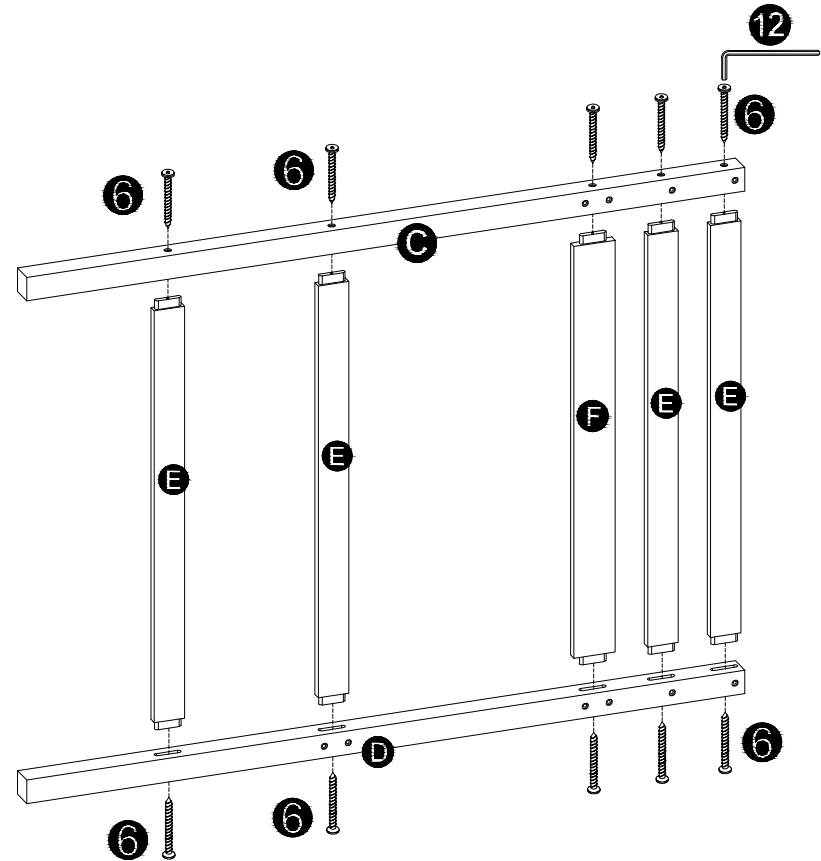


HILLSDALE
KIDS & TEEN

STEP 1



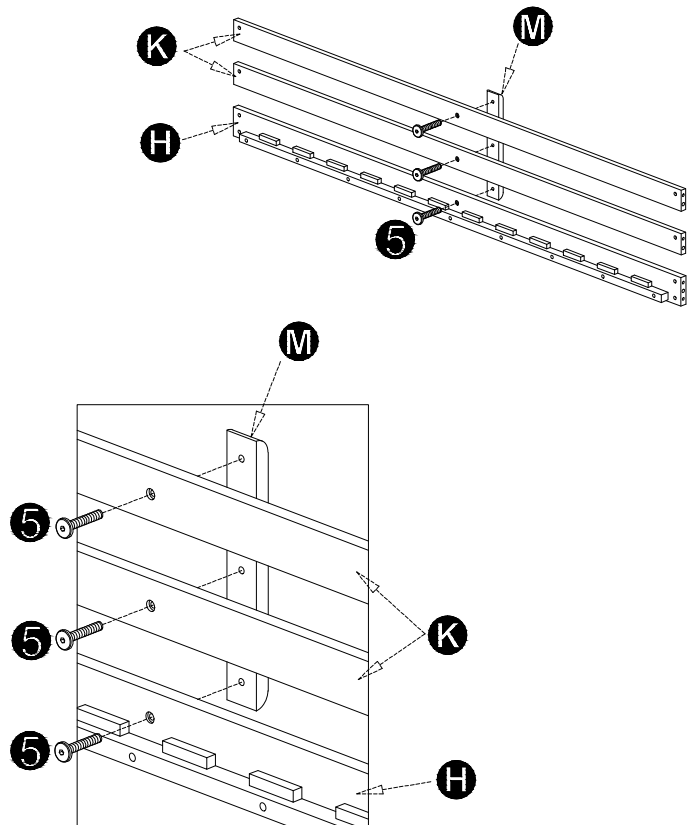
STEP 2



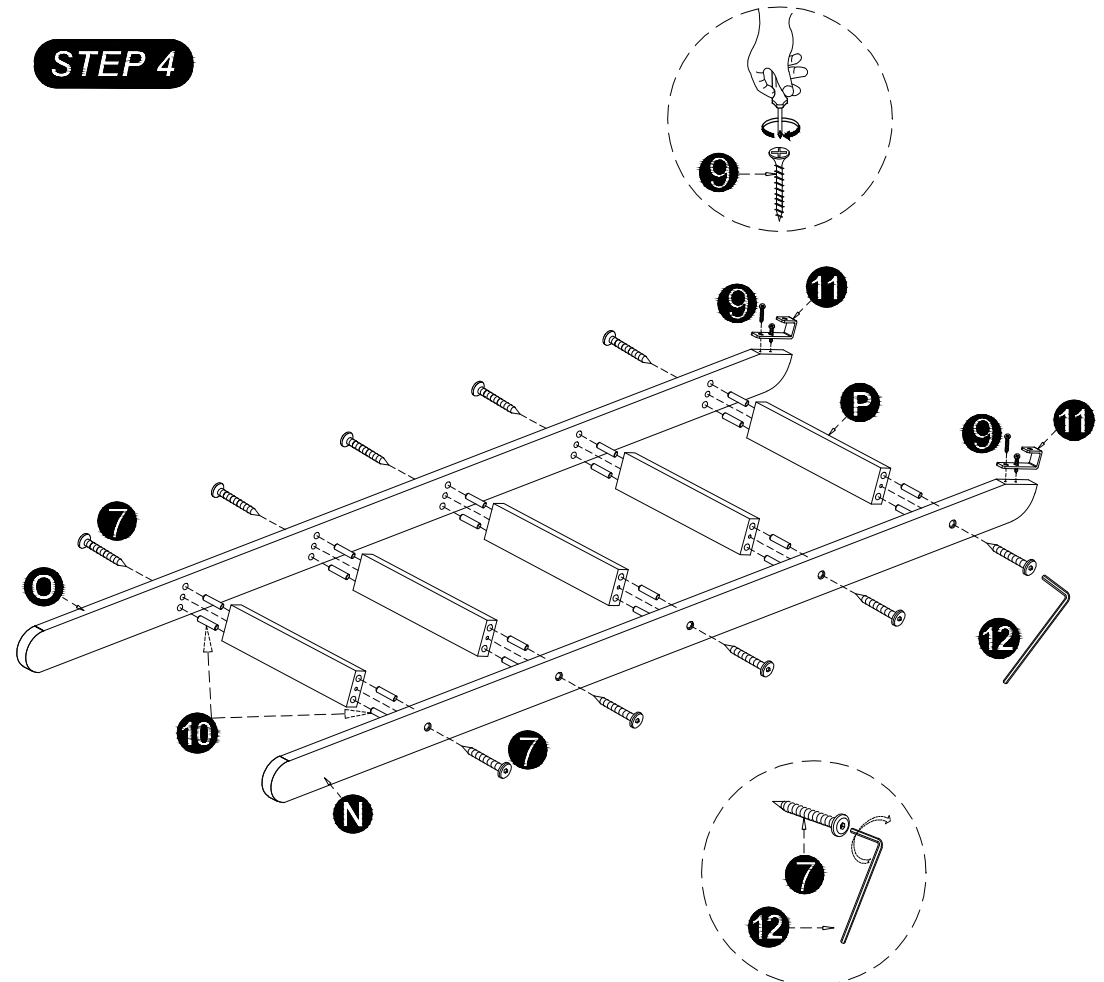


HILLSDALE
KIDS & TEEN

STEP 3



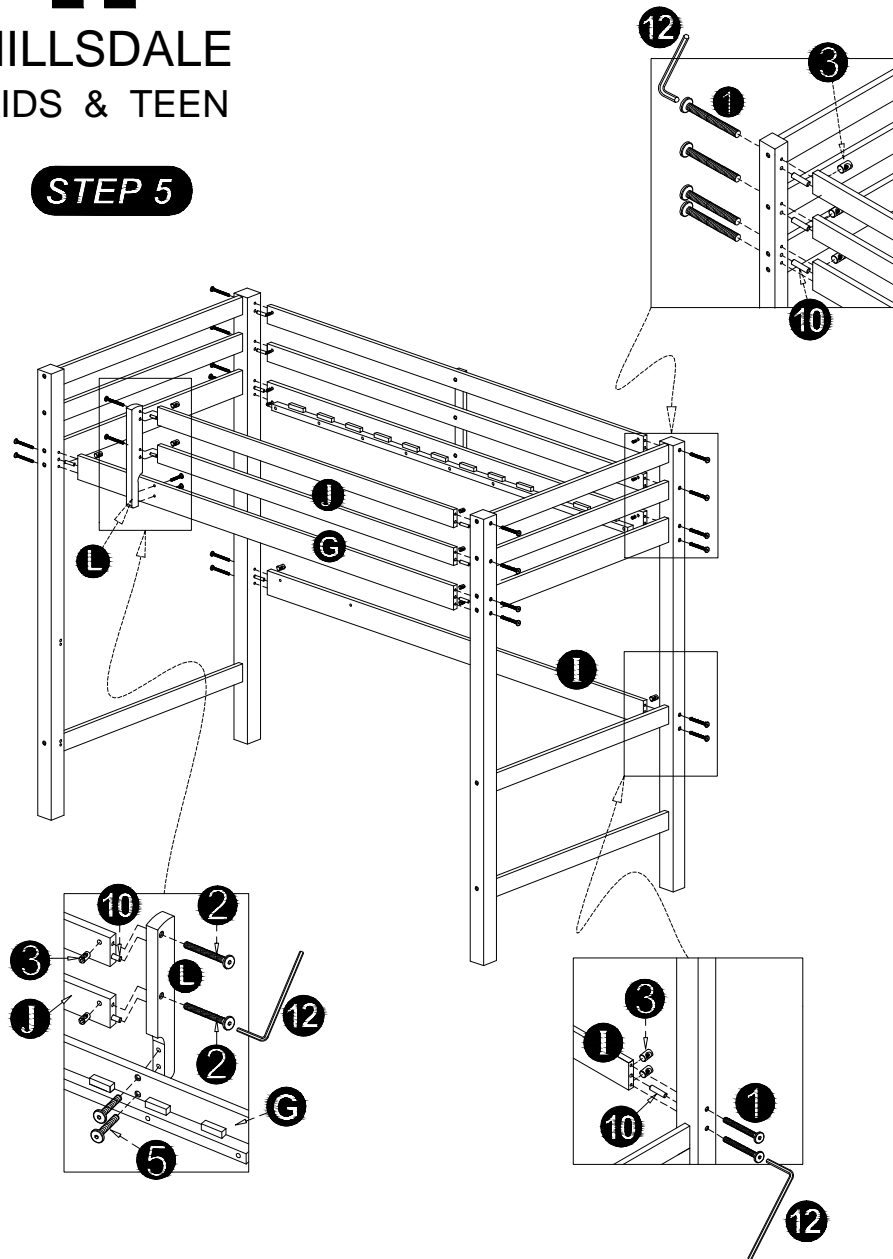
STEP 4



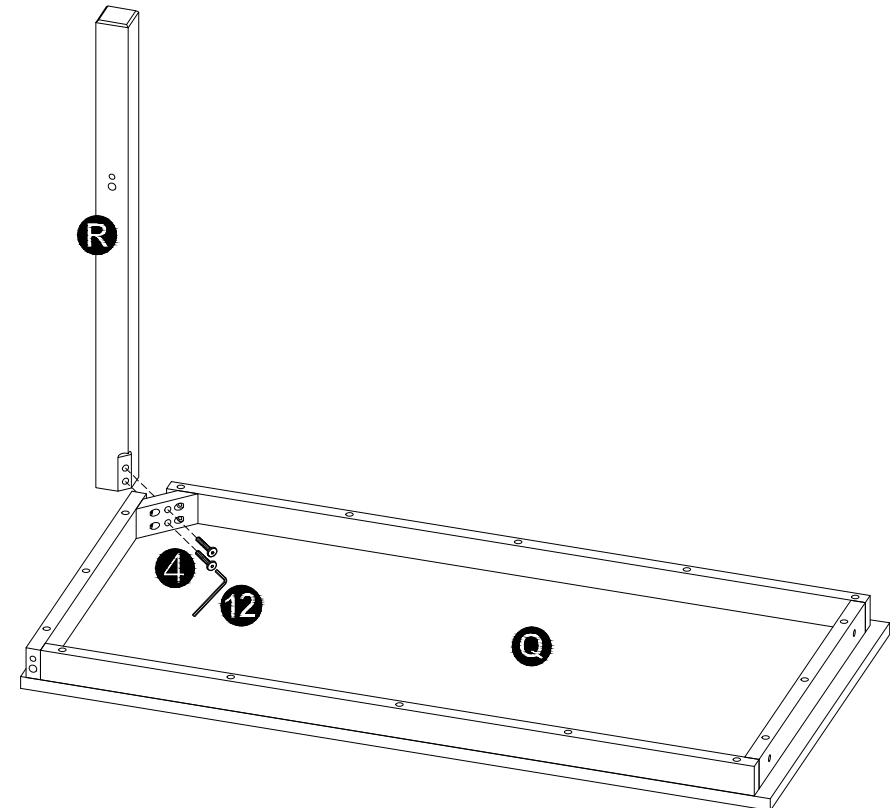


HILLSDALE
KIDS & TEEN

STEP 5



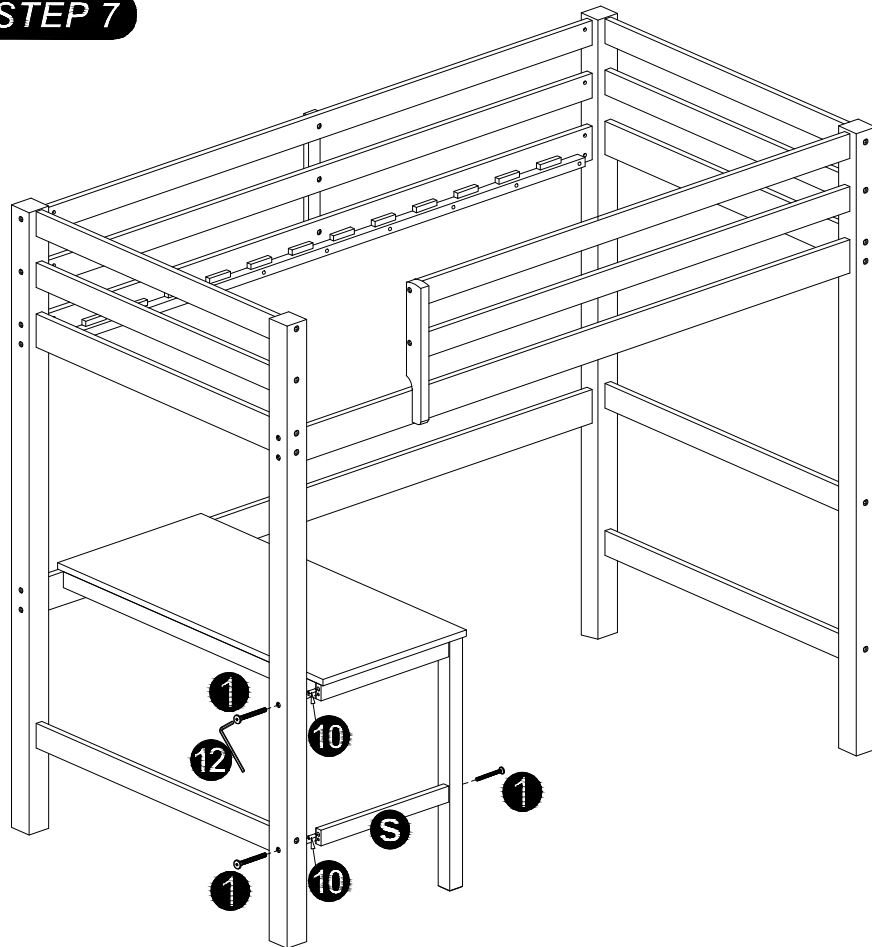
STEP 6



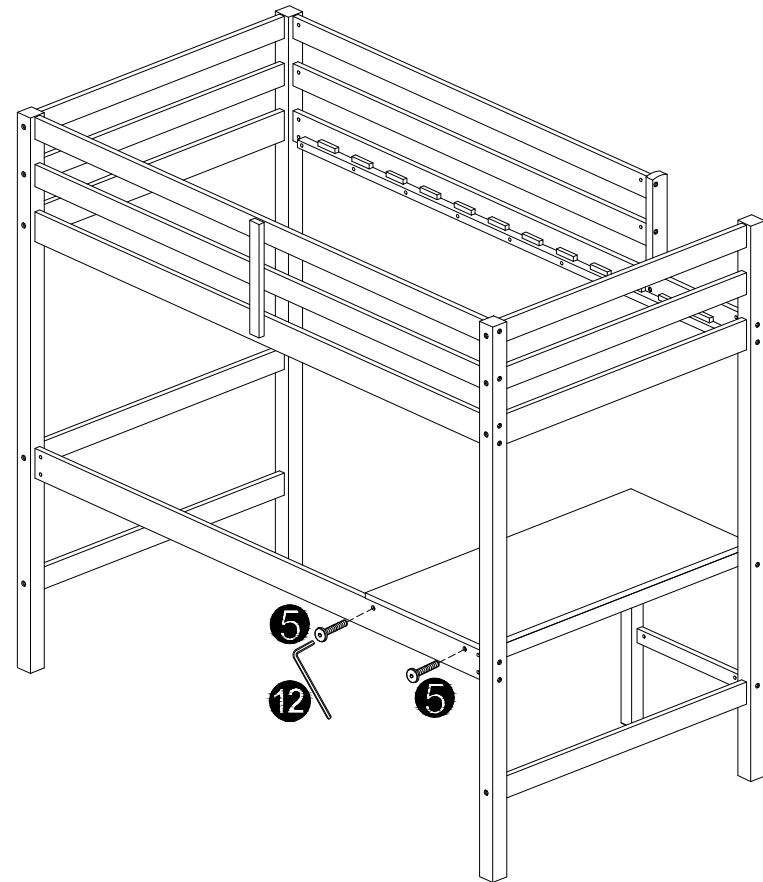


HILLSDALE
KIDS & TEEN

STEP 7



STEP 8

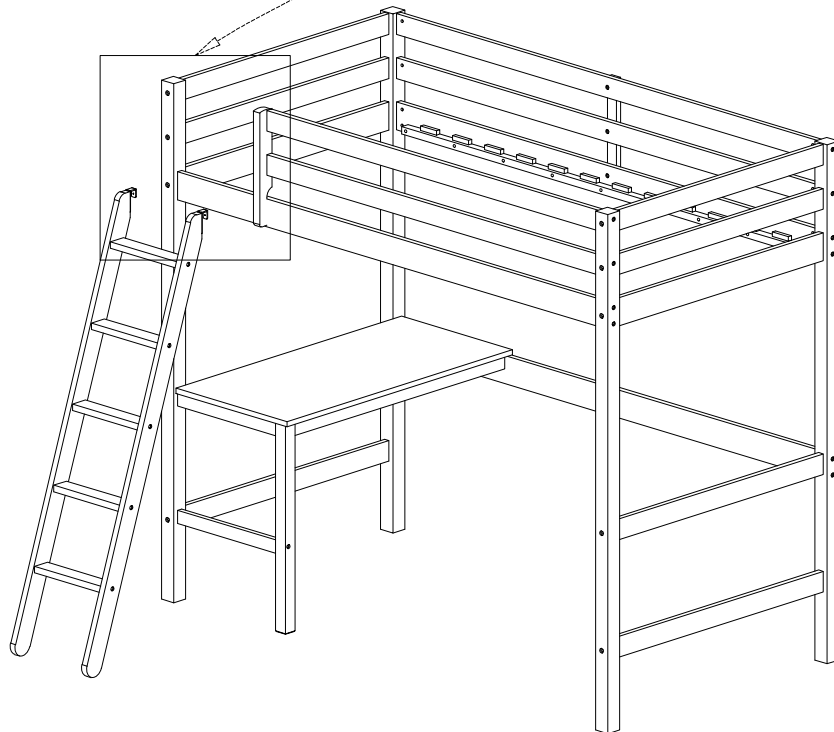
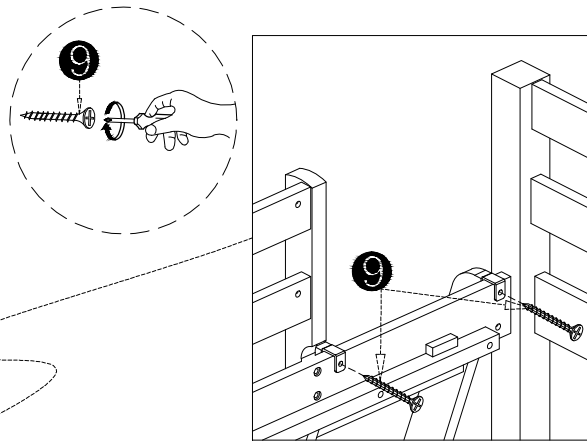




HILLSDALE
KIDS & TEEN

STEP 9

LOFT BED IN A BOX TWIN WOOD LOFT BED WITH TABLE - Assembly Instructions



⚠ WARNING

To help prevent serious or fatal injuries **SCREW BOTH SIDES OF EACH SLAT TO THE SLAT ROLL SUPPORT**. Failure to do so could result in the collapse of the entire slat roll, *and will void your warranty.*

STEP 10

