

Granite Composite Work Station Kitchen Sink Installation Instructions

Carton includes: Workstation Sink, Colander, Drying Rack, Sink Grid, Cutting Board, L-Bracket for Top-Mount Installation, Slotted Bracket for Under-Mount Installation & Installation Instructions.

Note: The granite composite kitchen sink provided is considered a universal mount granite composite kitchen sink - it can either be installed as an under-mount with the counter-top overhang or a traditional top-mount.

For top-mount installations, please follow top-mount sinks installation.
For under-mount installations, please follow under-mount sinks installation.

***BEFORE INSTALLING THE GRANITE COMPOSITE KITCHEN SINK, INSPECT IT FOR DAMAGE. DO NOT INSTALL A DAMAGED UNIT.**

Remember, it is your responsibility to follow all local plumbing and building codes.

The warranty will be voided if these installation instructions are not followed.

RECOMMENDED TOOLS

1	Drill and Drill Bit				
2	Long Shank Flat Screwdriver				
3	Pencil				
4	Silicone Caulk and Caulk Gun				
5	Flashlight				
6	Safety Glasses				
7	Gloves				
8	Adjustable Wrench				

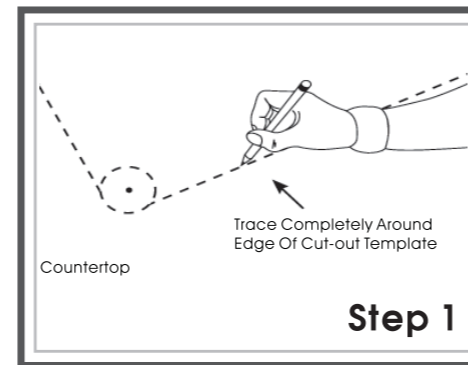
For safety and ease of installation, factory recommends the use of the helpful tools above.

Top-mount Sinks Installation

Step 1

Position template on countertop. Locate the template front to rear, so that sink will not interfere with the cabinet.

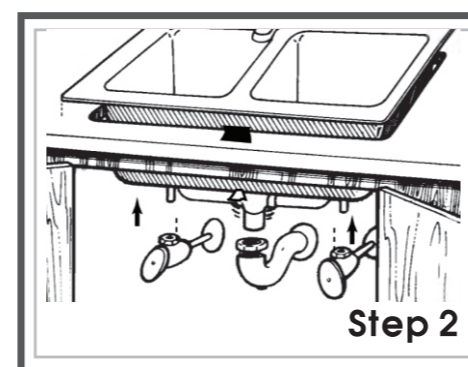
NOTE: Skip step 2 if this is a new installation.



Step 2 (Out With The Old)

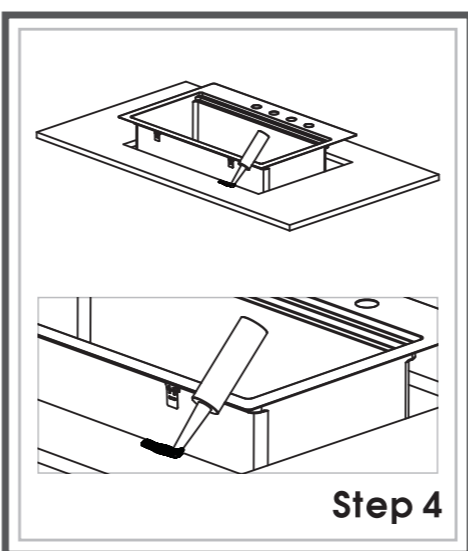
Here's how to remove the old sink:

- Shut off the water supply valves.
- Disconnect the water supply fittings.
- Disconnect the drain fittings.
- From the underside of the sink, with your flashlight and long screwdriver, loosen and remove the frame clamps or rim fasteners.
- Lift the entire sink out of the countertop.



Step 3

Trace around the outside of the template. Cut along the inside of this line. Set sink in opening to see if it fits properly. Remove sink.



Step 4

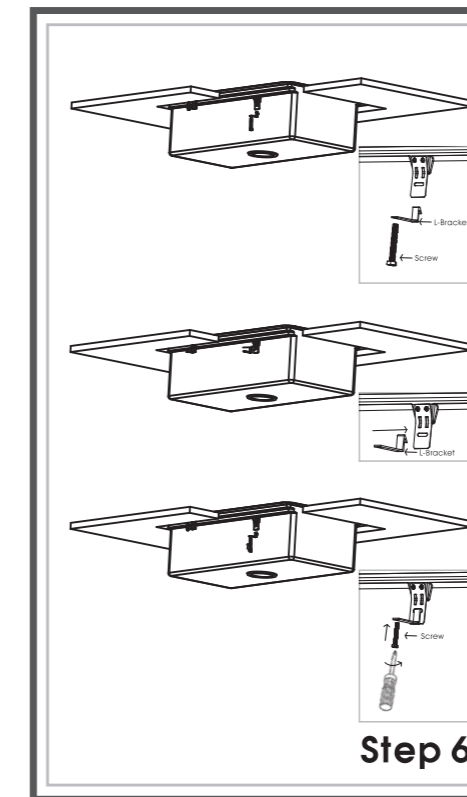
Apply silicone adhesive caulk around the perimeter of the countertop edge.

Step 5

Lower sink into the cutout and press firmly into the silicone. Make sure the sink is level and aligned.

Step 6

Insert L-bracket into oval slot of 3 hole bracket. Tighten bracket against underside of countertop using supplied bolts. DO NOT OVERTIGHTEN.



Step 7

With the sink in place attach the L-brackets and tighten. DO NOT OVERTIGHTEN.

Step 8

Remove any excess silicone adhesive caulk.

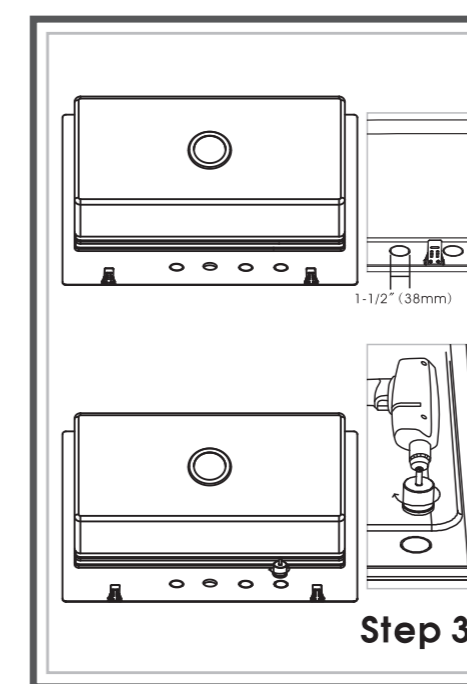
Faucet Hole Drillings

Step 1

Factory has pre-scored additional faucet holes (3) on the bottom of sink.

Step 2

Factory has included a 38mm (1-1/2") drill bit.



Step 3

Using provided drill bit, drill from the bottom using the pre-scored holes for any additional faucet holes needed.

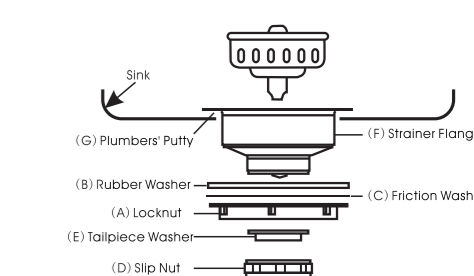
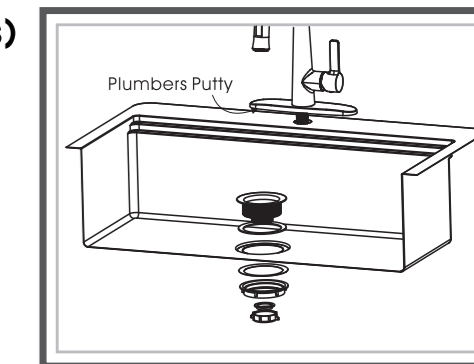
Attach Faucet, Drain Fittings and Accessories (not included - follow the manufacturer's instructions)

If you are installing a new faucet and/or drain fitting, garbage disposal or other accessory, follow the directions provided with these products. If you are re-installing the fittings you had on the old sink, first clean off all old putty or silicone before installing, then mount it on the new sink using putty or silicone caulk under the disposer flange. (See sink strainer installation instructions below.) Using flexible supply lines and measuring from the shut off to the bottom of the countertop and then using ones at least 4" longer to allow for movement.

Attach your supply lines to the faucet using teflon tape on all threaded water connections at this time.

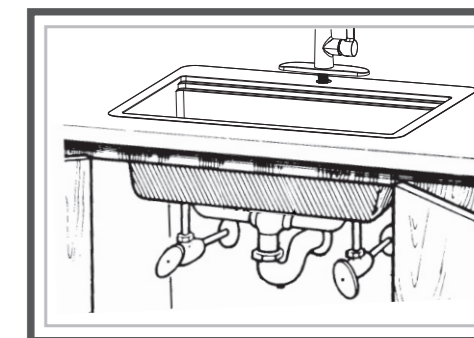
Sink Strainer Installation Instructions:

- Place strainer in sink opening making certain that sufficient (G) Plumbers' Putty is used between the bottom of the (F) Strainer Flange and the top of the sink to seal properly.
- From underneath, place (B) Rubber Washer first, then (C) Friction Washer. Screw threaded locknut onto strainer.
- Thread on (A) Locknut, hold strainer firmly in place. Tighten securely.
- Place (E) Tailpiece Washer inside of tailpiece with flat side of washer facing up. Insert tailpiece through (D) Slip Nut and then assemble to the bottom of the strainer outlet.



Connect Faucet Supplies and Drain Fittings

Connect the drain trap fittings, connect the faucet supply fittings using teflon tape and turn on the water supply. Check for possible leaks at these locations: Supply lines to faucet, and Supply lines to shut-off valves (or, lower connections). Next fill the sink bowl with water and check for possible leaks around the drain flange(s). If there is a leak you will see water dripping onto the bottom of the cabinet. Release the water from the sink and check for possible leaks at the drain connection. Tighten any joint that is leaking.



Under-mount Sinks Installation

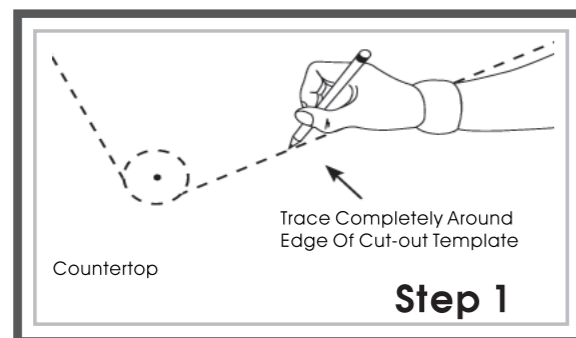
If this is a new countertop installation, please refer to the countertop manufacturer's instructions.

If this is a replacement sink, see Step 2.

Step 1

Position template on countertop. Locate the template front to rear, so that sink will not interfere with the cabinet.

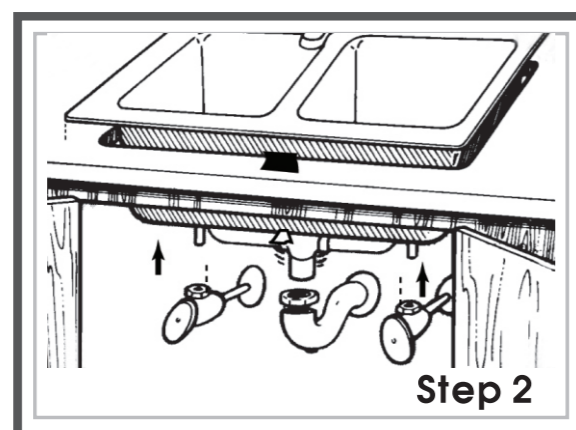
NOTE: Skip step 2 if this is a new installation.



Step 2 (Out With The Old)

Here's how to remove the old sink:

- A. Shut off the water supply valves.
- B. Disconnect the water supply fittings.
- C. Disconnect the drain fittings.
- D. From the underside of the sink, with your flashlight and long screwdriver, loosen and remove the frame clamps or rim fasteners.
- E. Lift the entire sink out of the countertop.

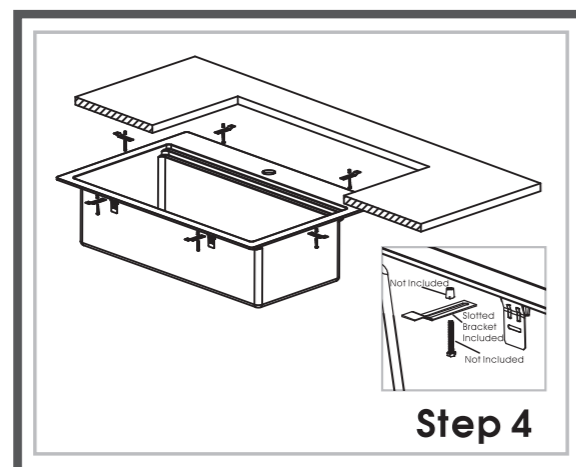


Step 3

Trace around the outside of the template. Cut along the inside of this line. Set sink in opening to see if it fits properly. Remove sink.

Step 4

Fasten the slotted brackets (Included) on the underside of the countertop loosely. Please use the screws recommended by the countertop supplier (these screws are not included).



Step 5

Use silicone adhesive caulk. Apply a bead evenly all around the top of sink flange.

Step 6

Position sink and align in countertop opening.

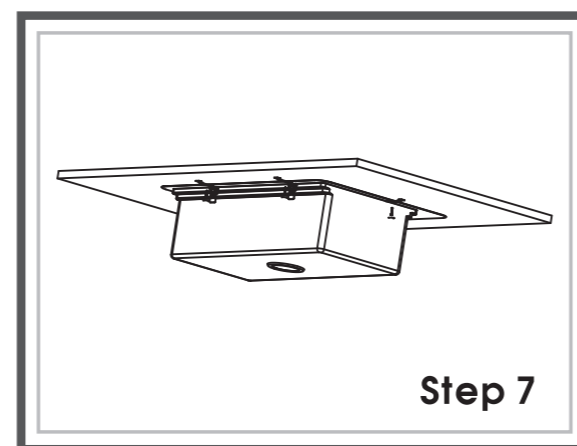
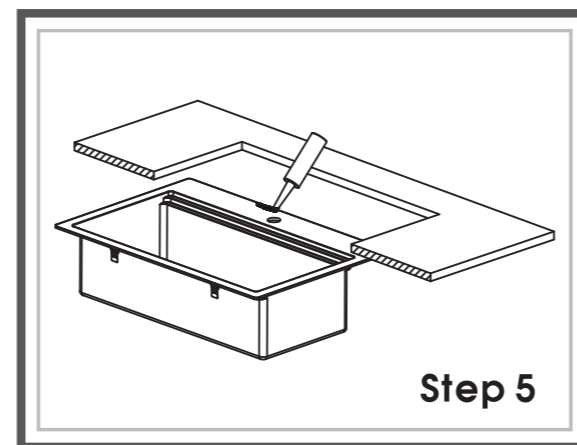
Step 7

Tighten slotted brackets until mounting brackets are snug.

Step 8

Do not over tighten slotted brackets.

Note: Remove excess silicone caulk.



Granite Composite Kitchen Sinks Care And Cleaning

NOTE: Clean sink before first use.

- *Wash sink with warm water and wipe dry using soft cloth.
- *Use only non abrasive cleaners or detergents on sink.
- *Use only non abrasive cloths, soft sponge, (Magic Eraser) etc.

HINT: Rinse and dry surface with a soft cloth after each use.

Compass Manufacturing International

Limited Lifetime Granite Composite Kitchen Sink Warranty

Compass Manufacturing International warrants to the original purchaser of an Compass Manufacturing International granite composite kitchen sink that Compass Manufacturing International will, at its option, replace or repair, without charge, such product if it fails due to a manufacturing defect for a lifetime of normal residential use. Product replacement does not include transportation cost or labor installation cost. This warranty covers only granite composite kitchen sinks installed in a conventional counter-top surface and granite composite kitchen sinks installed in a conventional solid surface counter-top and applies to residential installations only. Compass Manufacturing International reserves the right to examine product in question and its installation prior to replacement.

Some states do not allow the exclusion or limitation of incidental or consequential damages or limitations on how long an implied warranty lasts, so the above limitations or exclusions may not apply to you.

This Warranty gives you specific legal rights, and you may also have other rights which vary from state to state.

To Obtain Service Under Warranty

1. Write to: **Compass Manufacturing International**
6702 ENTERPRISE DRIVE, LOUISVILLE, KY 40214
TOLL FREE: (800) 626-3525 FAX: (502) 361-6956
HTTP://www.cmiproduct.com
2. Include a letter containing the following information:
 - a. Date of purchase and installation
 - b. Proof of Purchase (Copy of original dated invoice).
 - c. Description of nature of defect.
 - d. Model number or description of model and/or component part if possible.

Requesting Assistance or Service

If you need assistance or service

Call toll-free at 1-800-626-3525. Our consultants are available to assist you. When calling: Please know the purchase date, and the complete model of your sink. This information will help us better respond to your request.

- Our consultants provide assistance with:
- Features and specifications on our full line of sinks
 - Installation information
 - Use and maintenance procedures
 - Accessory and repair parts sales
 - Specialized customer assistance
 - Referrals to local dealers, service companies, and repair parts distributors