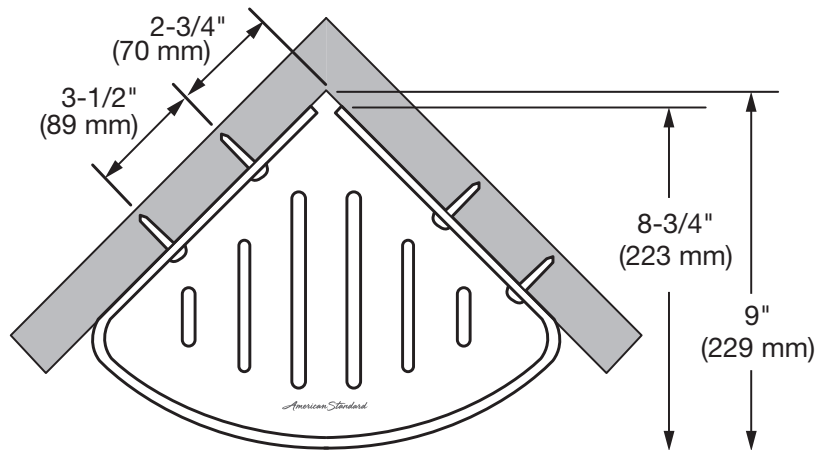
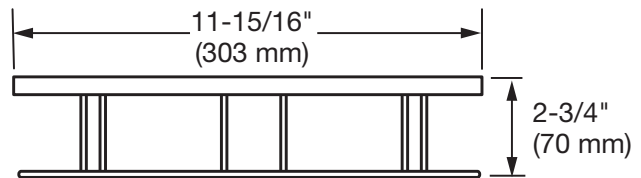


**PASSAGE™ CORNER SHELF**

□ **1202-008.266 CORNER SHELF**

- Convenient corner shelf
- On-trend brushed metal finish
- Drain slots keep shelf contents dry
- Railing secures shower products
- Mounting hardware included for easy installation
- Coordinates with Passage bath or shower walls; choose your mounting location
- Load capacity 5 lbs.
- One year limited warranty



**60" x 32" Passage™ Custom Shower Walls**  
Natural Designs

**P2971SWT**

Take your bathroom from basic to beautiful with the Passage Custom Bathing System. Decorative walls in 5 natural effect finishes provide the perfect alternative to tile.

**Product Features:**

- High quality laminate mounts over moisture-resistant wall board or sound ceramic tile
- Bull-nosed edges provide an elegant, finished look
- Virtually seamless tongue and groove mating of back wall panels
- Beautiful and stylish alternative to tile
- Customize with coordinating Passage shower base, frameless shower door, shower shelves
- Easily wipes clean using mild soap and a damp cloth

**Nominal Dimensions (Installed):**

60" x 32" x 72"  
(1524 x 813 x 1829mm)

**Wall Set Includes:**

- Four panels of 7/16" (11.5mm) thickness
- Two back wall panels: 29-1/2" w x 72" h (749 x 1829mm)
- Two side wall panels: 31-7/16" w x 72" h (787 x 1829mm)



**To Be Specified - Required:**

Color pattern choice

- .370 Pewter Travertine
- .372 Gray Concrete
- .373 Gray Timber
- .374 Platinum Marble
- .377 Serene Marble

**To Be Specified - Optional:**

- A8011T-RHO: 60" x 32" x 2-1/4" (1524 x 813 x 57mm)  
Acrylic Shower Base Right Outlet
- A8011T-LHO: 60" x 32" x 2-1/4" (1524 x 813 x 57mm)  
Acrylic Shower Base Left Outlet
- AM801703400.213: 60" x 72" (1524 x 1829mm)  
Frameless Shower Door with Easy-to-Clean™ Clear Glass
- 1202-008.XXX: Corner Shower Shelf-Brushed Metal  
9" x 9" x 3-1/2" (229 x 229 x 89 mm)
- 1202-012.XXX: Shower Shelf-Brushed Metal  
12" x 5" x 3" (305 x 127 x 76 mm)

SEE NEXT PAGE FOR ROUGHING-IN DIMENSIONS  
AND PRODUCT SPECIFICATIONS

