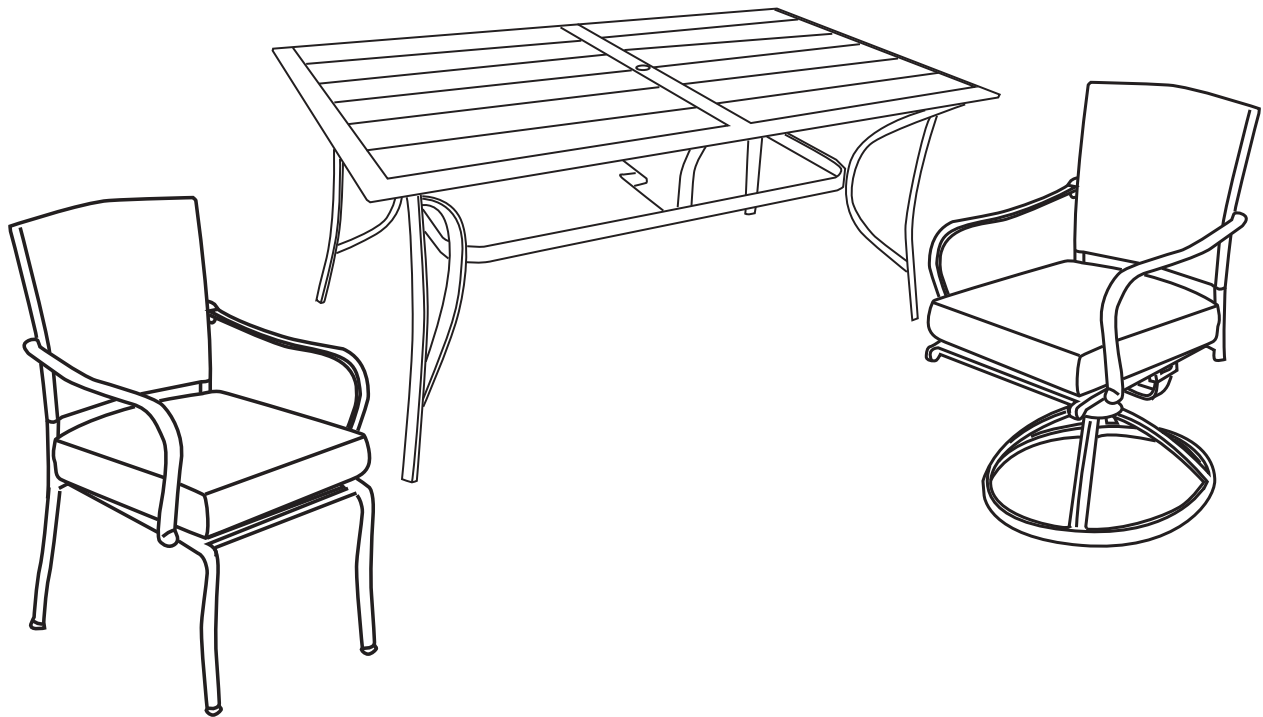




Item #1002 633 593/1002 633 594
MODEL #D11309-7PC

USE AND CARE GUIDE

PIN OAK 7 PIECE DINING SET



Questions, problems, missing parts? Before returning to the store,
call Hampton Bay Customer Service
8 a.m. - 7 p.m., EST, Monday-Friday
9 a.m. - 6 p.m., EST, Saturday

1-855-HD-HAMPTON

HAMPTONBAY.COM




THANK YOU

We appreciate the trust and confidence you have placed in Hampton Bay through the purchase of this dining set. We strive to continually create quality products designed to enhance your home. Visit us online to see our full line of products available for your home improvement needs. Thank you for choosing Hampton Bay!

Table of Contents

Table of Contents	2	Assembly	7
Safety Information	2	Care and Cleaning.....	11
Warranty	2		
What is Covered	2		
What is Not Covered	2		
Pre-assembly	3		
Planning Assembly	3		
Hardware Included	3		
Table Package Contents	4		
Dining Chair Package Contents	5		
Swivel Dining Chair Package Contents	6		

Safety Information

-  **WARNING:** Do not sit or stand on the table top.
-  **WARNING:** Do not place heavy items on the table top.
-  **WARNING:** An umbrella base must be used at all times. Umbrella should not be used in the event of wind, rain, hail, sleet, snow or any other inclement weather.

Warranty

THIS IS A RESIDENTIAL WARRANTY AND DOES NOT APPLY FOR COMMERCIAL USE.

2 YEAR FRAME, RESIN WEAVE AND FABRIC LIMITED WARRANTY

WHAT IS COVERED

We warrant the frame, resin weave and fabric to be free of manufacturing defects to the original purchaser for two years.

WHAT IS NOT COVERED

It remains the customer's responsibility for freight and packaging charges to and from our service center. This warranty does not cover commercial use, hardware, acts of nature, fire, freezing and abusive use.

In addition, purchased parts are not covered under this warranty. We reserve the right to make substitutions with similar merchandise, if the model in question is no longer in production.

For a copy of our full limited warranty, please contact our customer service team below.

Contact the Customer Service Team at 1-855-HD-HAMPTON or visit www.hamptonbay.com.

Pre-assembly

PLANNING ASSEMBLY

PLEASE READ COMPLETE INSTRUCTION MANUAL PRIOR TO ASSEMBLY!

Identify all parts packed in the carton against the parts list. Remove all protective materials and place the parts on a nonabrasive surface to avoid scratching.

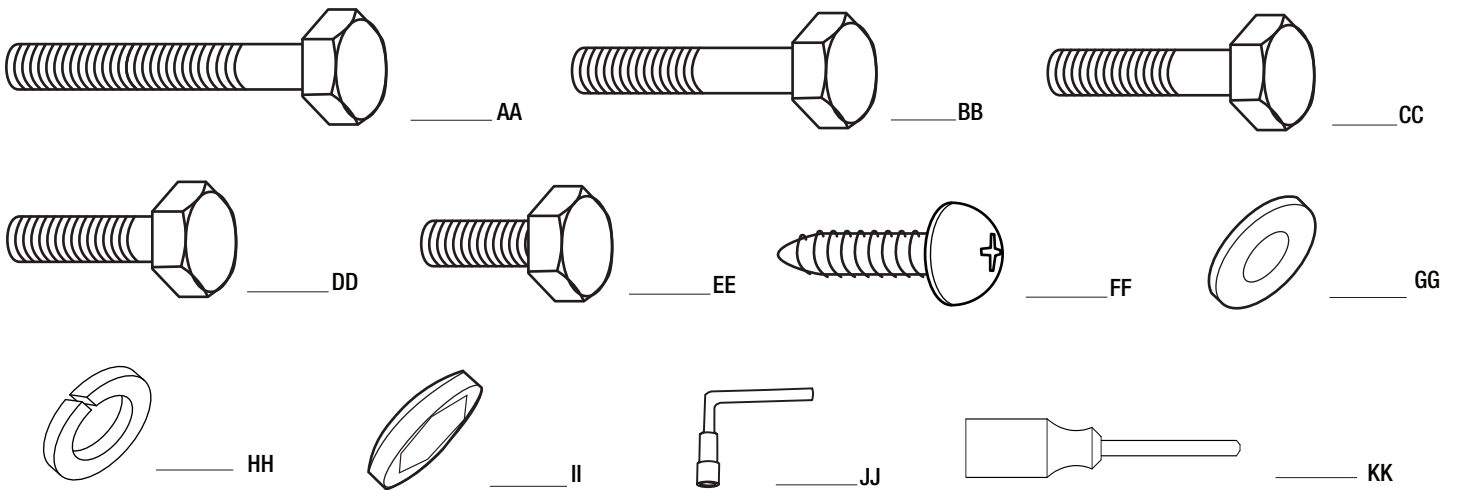


NOTE: More than one person may be required to complete the assembly of this product.

HARDWARE INCLUDED



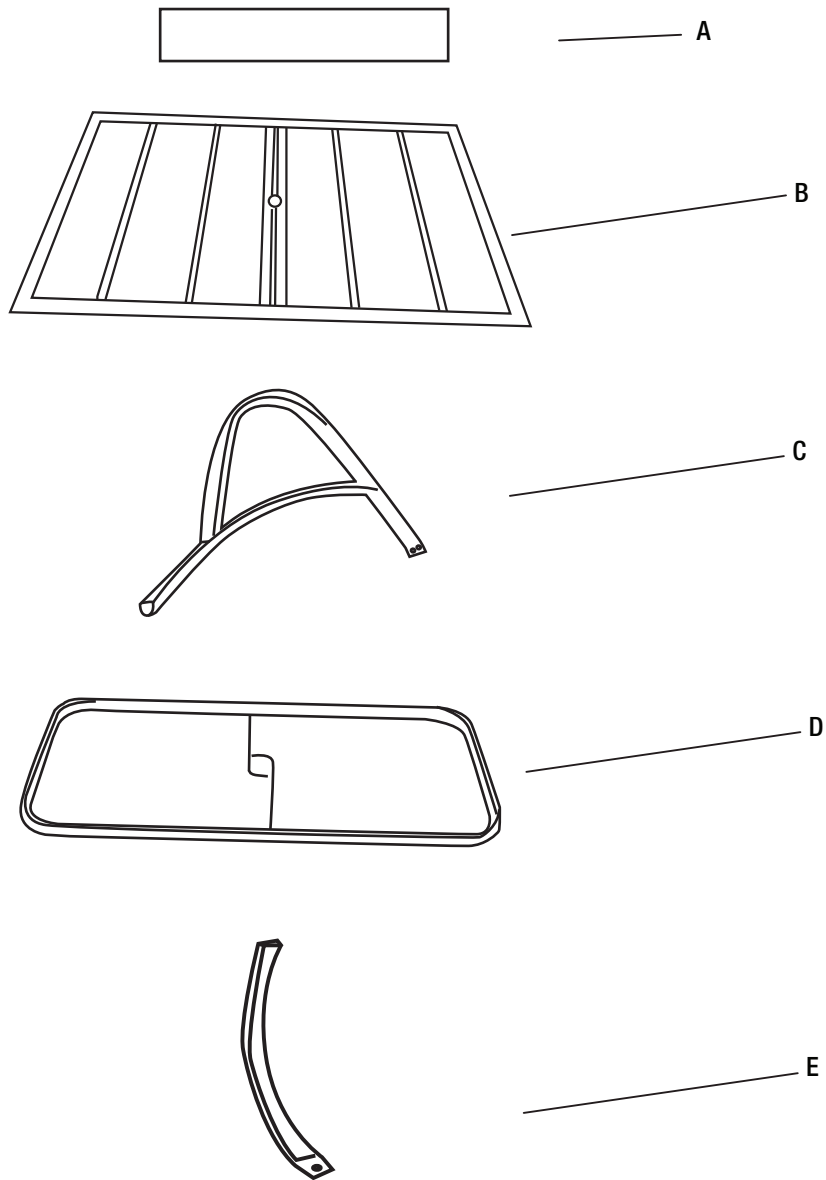
NOTE: Tools not shown to actual size.



Part	Description	Quantity
AA	M6*40 Hex bolt	12
BB	M6*30 Hex bolt	12
CC	M6*25 Hex bolt	4
DD	M6*20 Hex bolt	8
EE	M6*15 Hex bolt	18
FF	M4*14 Cross screw	12
GG	Washer	54
HH	Spring washer	24
II	M6 Hex bolt cap	54
JJ	Socket wrench	3
KK	Cross screwdriver	2

Pre-assembly (continued)

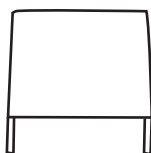
TABLE PACKAGE CONTENTS



Part	Description	Quantity
A	Ceramic tile	12
B	Table rim	1
C	Table leg	4
D	Connector ring	1
E	Support bar	2

Pre-assembly (continued)

DINING CHAIR PACKAGE CONTENTS



H



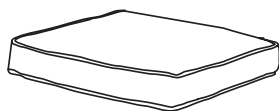
G



F1



F2

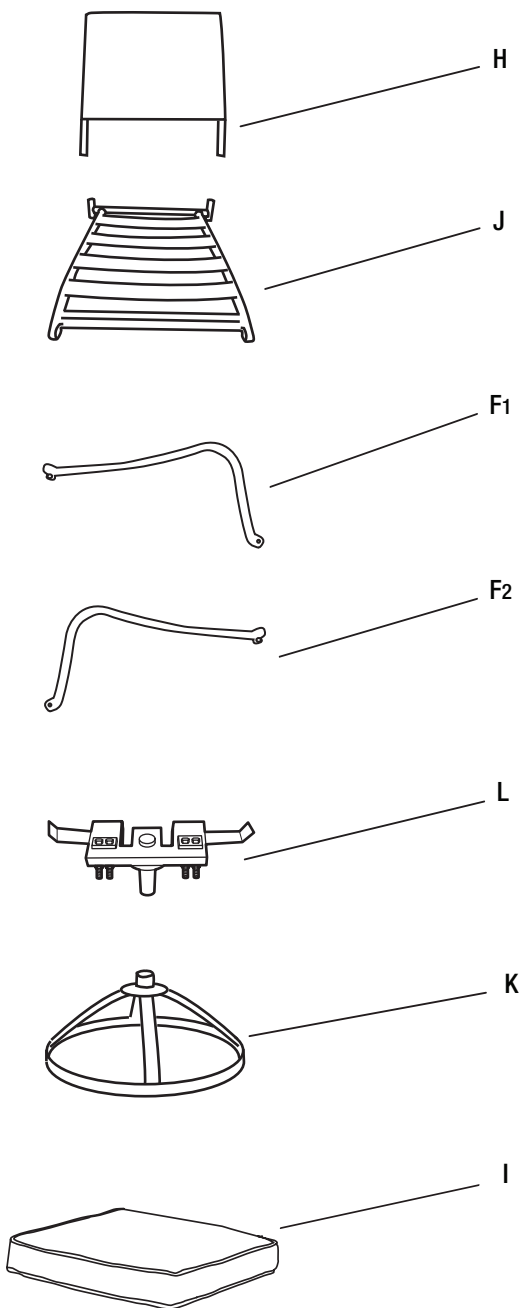


I

Part	Description	Quantity
F ₁	Left arm	4
F ₂	Right arm	4
G	Seat frame	4
H	Back frame	4
I	Seat cushion	4

Pre-assembly (continued)

SWIVEL DINING CHAIR PACKAGE CONTENTS

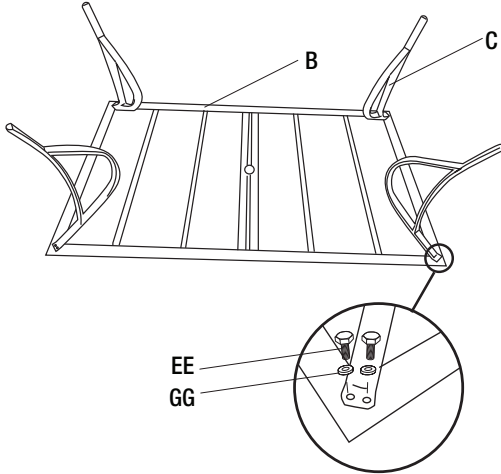


Part	Descriptin	Quantity
F ₁	Left arm	2
F ₂	Right arm	2
H	Back frame	2
I	Seat cushion	2
J	Seat frame	2
K	Base	2
L	Stem bracket	2

Assembly

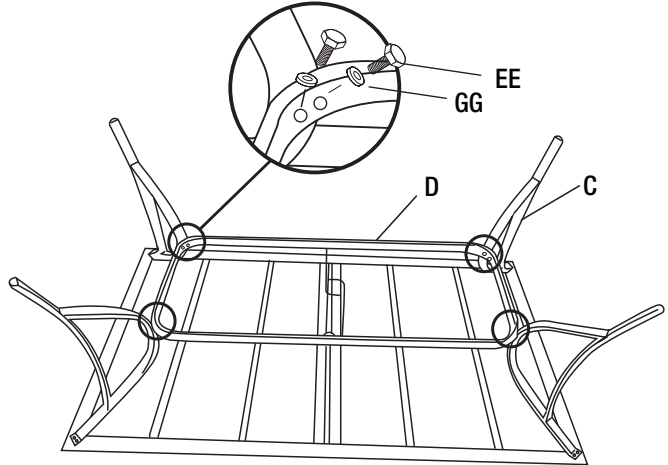
1 Attaching the table legs

- Place the table rim (B) on a soft, flat non-abrasive surface.
- Attach the table legs (C) to the table rim (B) using the M6*15 hex bolts (EE) and washers (GG). Do not fully tighten the bolts.



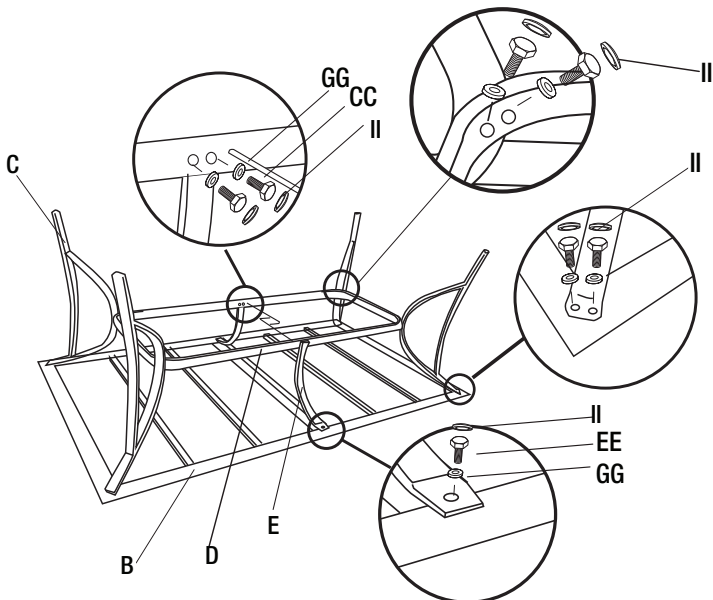
2 Attaching the connector ring

- Attach the connector ring (D) to the table legs (C) using the M6*15 hex bolts (EE) and washers (GG). Do not fully tighten the bolts.



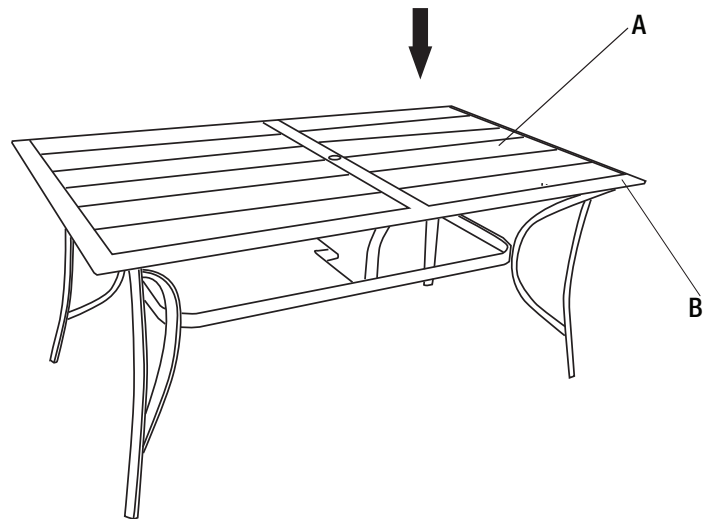
3 Attaching the support bar

- Attach the support bar (E) to the table rim (B) and connector ring (C) using the M6*15 hex bolts (EE), M6*25 hex bolts (CC), and washers (GG). Do not fully tighten the bolts.
- Ensure all bolts are aligned and assembled correctly. Tighten all the bolts (CC) and (EE) with the socket wrench (JJ). Attach the hex bolt caps (II).



4 Placing the table top

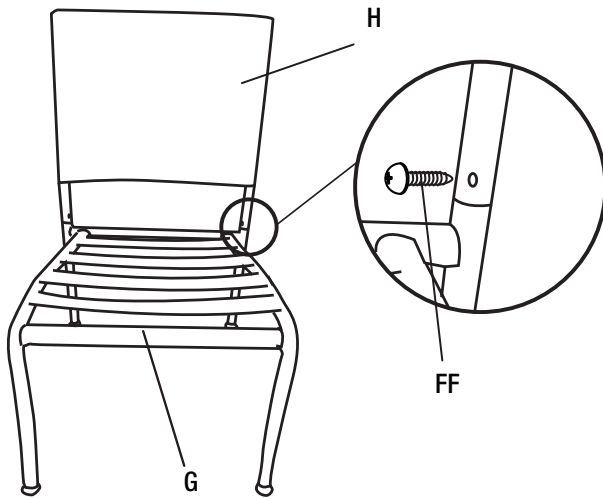
- Turn the table over and set it down on its legs.
- Put the ceramic tiles (A) onto the table rim (B).
- The table is now ready for use.



Assembly (continued)

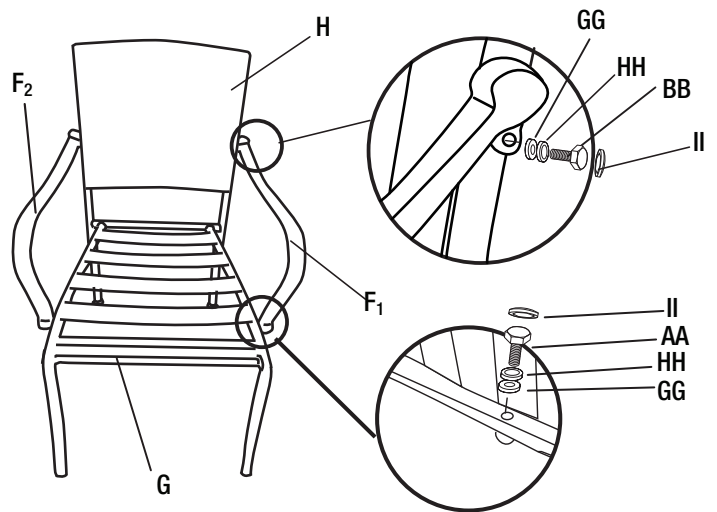
5 Attaching the back frame

- Place the seat frame (G) on a soft, flat non-abrasive surface.
- Attach the back frame (H) to the seat frame (G) using the M4*14 cross screws (FF). Do not fully tighten the screws.



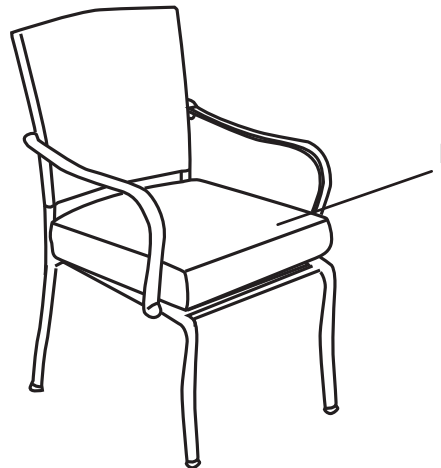
6 Attaching the arms

- Attach the left arm (F1) to the back frame (H) using a washer (GG), spring washer (HH) and M6*30 hex bolts (BB). Do not fully tighten the bolts.
- Attach the left arm (F1) to the seat frame (G) using a washer (GG), spring washer (HH) and M6*40 hex bolts (AA). Do not fully tighten the bolts.
- Repeat the same steps to attach the right arm (F2).
- Ensure all bolts are aligned and assembled correctly.
- Tighten all the hex bolts (AA) and (BB) with the socket wrench (JJ). Tighten all the cross screws (FF) using the cross screwdriver (KK).
- Attach all the hex bolt caps (II).



7 Adding the seat cushions

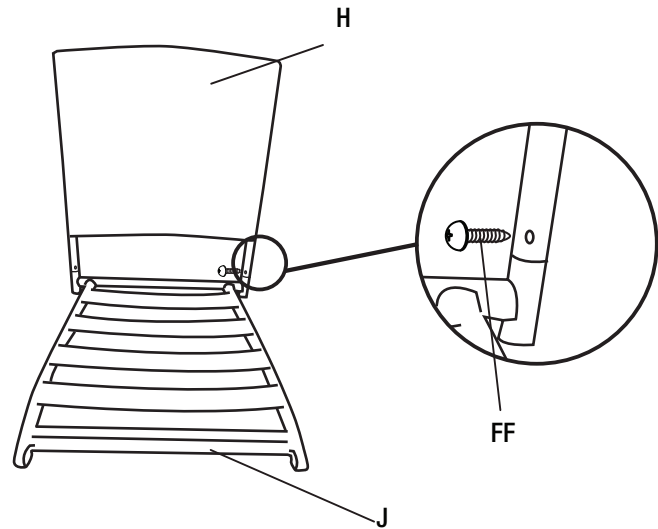
- Place the seat cushion (I) onto the chairs.
- The chair is now ready for use.



Assembly (continued)

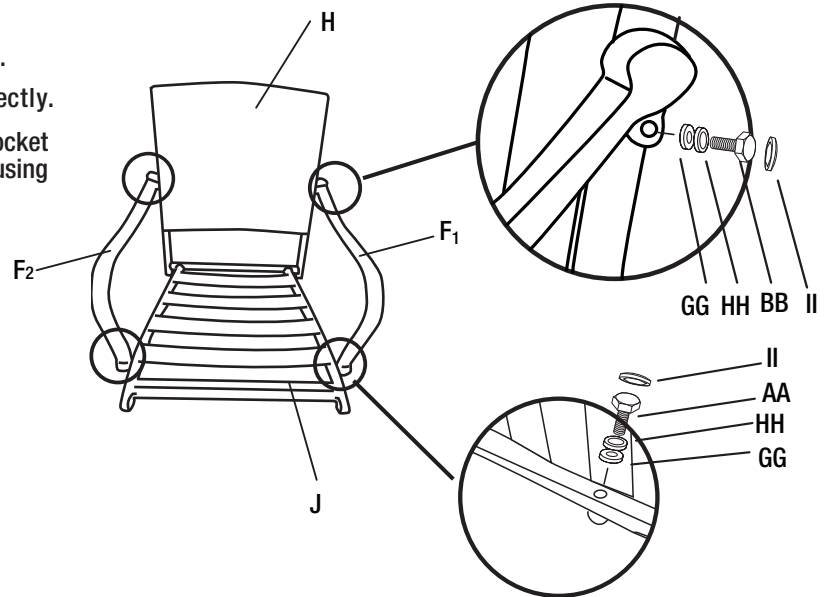
8 Attaching the back frame

- Place the seat frame (J) on a soft, flat non-abrasive surface.
- Attach the back frame (H) to the seat frame (J) using the M4*14 cross screws (FF). Do not fully tighten the screws.



9 Attaching the arms

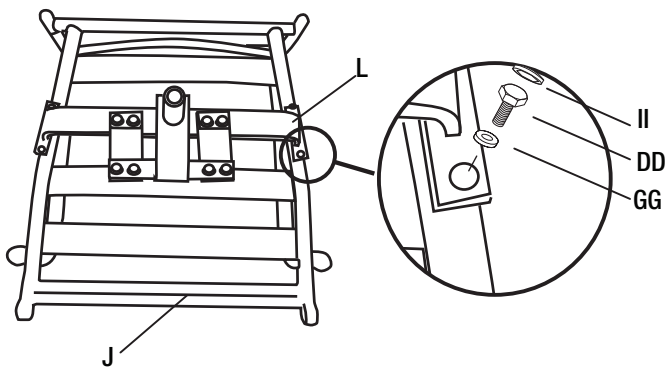
- Attach the left arm (F1) to the back frame (H) using a washer (GG), spring washer (HH) and M6*30 hex bolts (BB). Do not fully tighten the bolts.
- Attach the left arm (F1) to the seat frame (J) using a washer (GG), spring washer (HH) and M6*40 hex bolts (AA). Do not fully tighten the bolts.
- Repeat the same steps to attach the right arm (F2).
- Ensure all bolts are aligned and assembled correctly.
- Tighten all the hex bolts (AA) and (BB) with the socket wrench (JJ). Tighten all the cross screws (FF) using the cross screwdriver (KK).
- Attach all the hex bolt caps (II).



Assembly (continued)

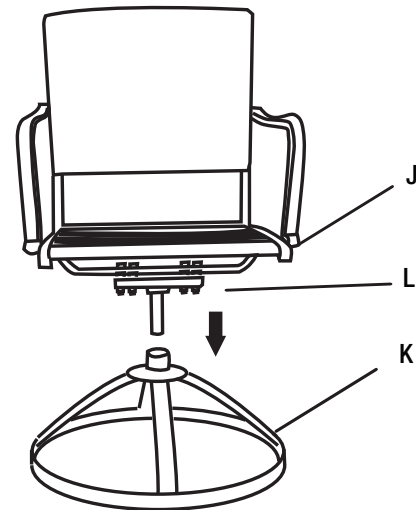
10 Attaching the stem bracket

- Attach the stem bracket (L) to the seat frame (J) using the washers (GG) and M6*20 hex bolts (DD).
- Ensure all bolts are aligned and assembled correctly. Tighten all hex bolts (DD) with the socket wrench (JJ). Attach the hex bolt caps (II).



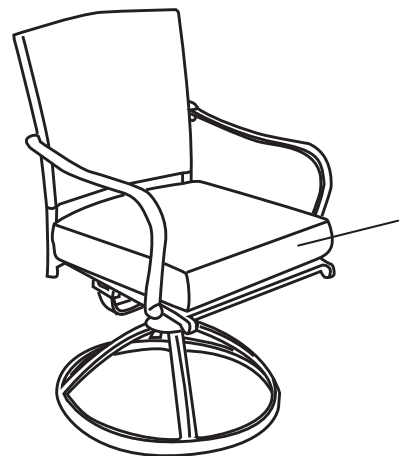
11 Connecting the base and seat

- Place the base (K) on a flat surface and align the stem bracket (L) under the seat frame with the hole on the base. Push down firmly to lock the seat frame (J) and base (K) together.



12 Adding the seat cushions

- Place the seat cushions (I) onto the chairs.
- The motion chair is now ready for use.



Care and Cleaning

- Do not allow water to build up in frames. This will cause corrosion and possible freezing damage in cold climates.
- Use a mild soap and water for normal cleaning. DO NOT use janitorial or alcohol based cleaners. Some cleaners may be marked as natural, but some ingredients may cause discoloration or have an adverse reaction to your finish.
- Rinse with clean water and dry with a soft, absorbent cloth towel.
- Treat frames with a liquid wax for maximum protection against UV rays and/or salty, damp air.



Questions, problems, missing parts? Before returning to the store,
call Hampton Bay Customer Service
8 a.m. - 7 p.m., EST, Monday-Friday
9 a.m. - 6 p.m., EST, Saturday

1-855-HD-HAMPTON

HAMPTONBAY.COM

Retain this manual for future use.