



# Specification

## Glacier Bay Single Handle Vessel Filler Bath Faucet

MODEL	STORE SKU#	FINISH
FM16C73C	732443	Chrome
FM16C73NN	732838	Brushed Nickel PVD

### FEATURES

- Requires 3-Hole sink
- 3/8" MIP Connections
- Max Flow Rate: 1.5gpm(5.7L/min) at 60 psi
- Max Countertop Thickness: 1 1/8"
- Spout Reach: 3 7/8"
- Spout Height: 8 3/8"
- 35MM Cartridge for Lifetime Drip-free Operation
- With Brass Pop-up Drain
- With Zinc Lever Handle
- Exposed Aerator

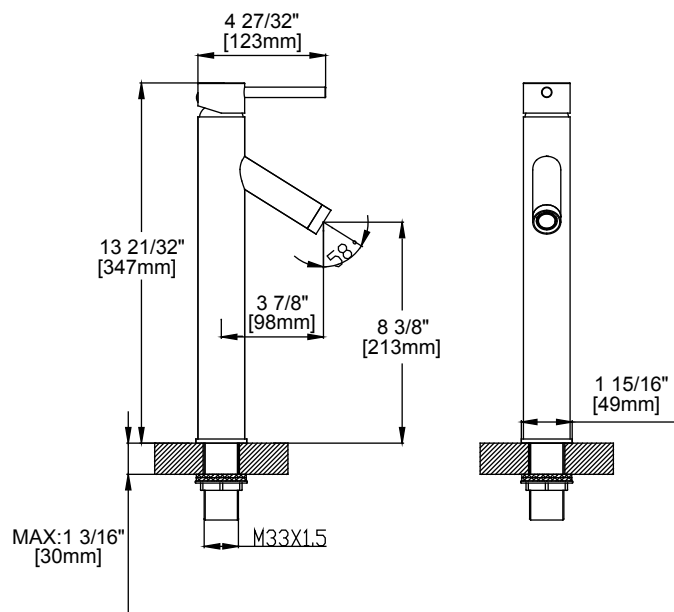
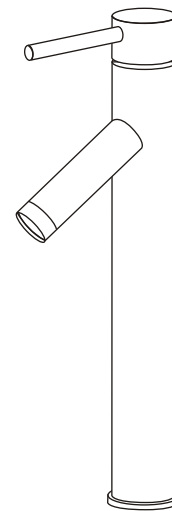
### CODE COMPLIANCE

- IAPMO Certified: ASME A112.18.1/CSA B125.1
- NSF 61 Section 9
- Calgreen Certified
- EPA WaterSense Certified
- Meets AB 1953 Lead Standard
- ADA Compliant



### WARRANTY

- Limited Lifetime Warranty



### INSTALLATION DIMENSIONS