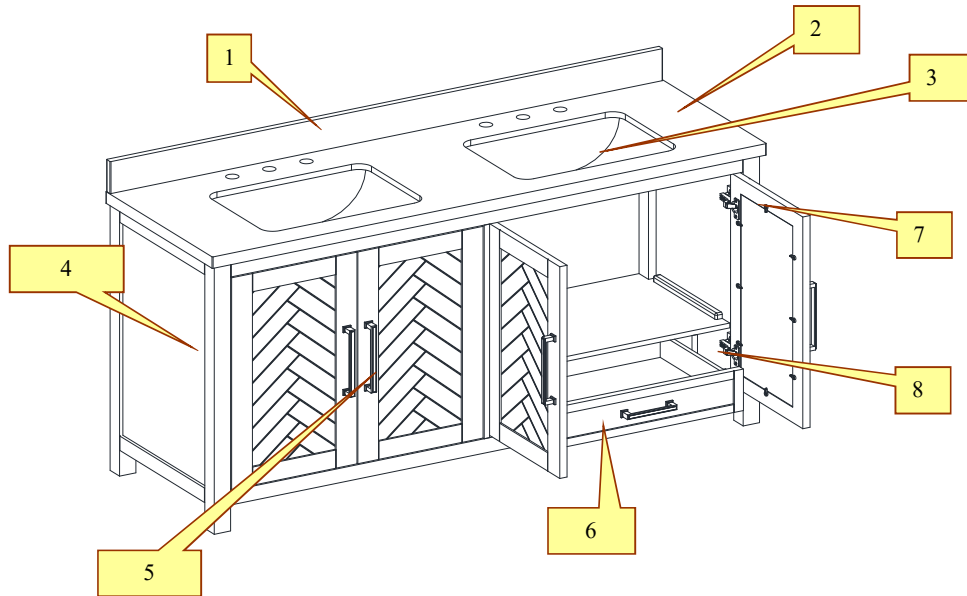


DATE	2019/9/18		
HDC ITEM #		VENDOR MODEL #	HDC60HRV
DESCRIPTION	60in wood vanity		
VENDOR			
FACTORY NAME			
FACTORY ADDRESS			
TOTAL GROSS WEIGHT OF SELL UNIT (WITH PACKAGING)	124 kgs	(WITHOUT PACKAGING)	107kgs

Move arrows to each part and complete the corresponding numbers below. (The tips of the arrows can be lengthened by clicking on the tip of the arrow and dragging it). If you are using more than 10 arrows, cut and paste additional corresponding numbers.



1	PART / QTY	Backsplash / 1ea	COUNTRY OF ORIGIN	Vietnam
	GRADE/GAUGE	18mm	RAW MATERIAL	white engineer stone
	COLOR/ FINISH	white	DIMENSIONS/SIZE	1520mmW x 100mmD x 18mmT
2	PART / QTY	Top panel / 1ea	COUNTRY OF ORIGIN	Vietnam
	GRADE/GAUGE	36mm	RAW MATERIAL	white engineer stone
	COLOR/ FINISH	white	DIMENSIONS/SIZE	1524mmW x 508mmD x 36mmT
3	PART / QTY	Bowl / 2ea	COUNTRY OF ORIGIN	Vietnam
	GRADE/GAUGE		RAW MATERIAL	
	COLOR/ FINISH	white	DIMENSIONS/SIZE	
4	PART / QTY	Vanity body / 1ea	COUNTRY OF ORIGIN	Vietnam
	GRADE/GAUGE	45mm solid wood /9mmMDF /5mm MDF/15mm PB	RAW MATERIAL	solid wood +MDF+PB
	COLOR/ FINISH		DIMENSIONS/SIZE	1500mmW x 496mmD x 840 mmH
5	PART / QTY	handle(door.drawer) / 6ea	COUNTRY OF ORIGIN	Vietnam
	GRADE/GAUGE	Metal	RAW MATERIAL	metal
	COLOR/ FINISH		DIMENSIONS/SIZE	
6	PART / QTY	drawer/ 2ea	COUNTRY OF ORIGIN	Vietnam
	GRADE/GAUGE	15mm/12mm/5mm MDF	RAW MATERIAL	MDF
	COLOR/ FINISH		DIMENSIONS/SIZE	528mmW x 370mmD x 130mmH
7	PART / QTY	Slow closing euro hinge/ 4ea	COUNTRY OF ORIGIN	Vietnam
	GRADE/GAUGE	metal	RAW MATERIAL	Metal
	COLOR/ FINISH	Zinc/Plating	DIMENSIONS/SIZE	
8	PART / QTY	3 pack slow closing ball bearing slide/4ea	COUNTRY OF ORIGIN	Vietnam
	GRADE/GAUGE	metal	RAW MATERIAL	Metal
	COLOR/ FINISH	Zinc/Plating	DIMENSIONS/SIZE	14inL x 45mm width

SPECIAL TEST REQUIREMENTS (ON EXISTING TESTS):