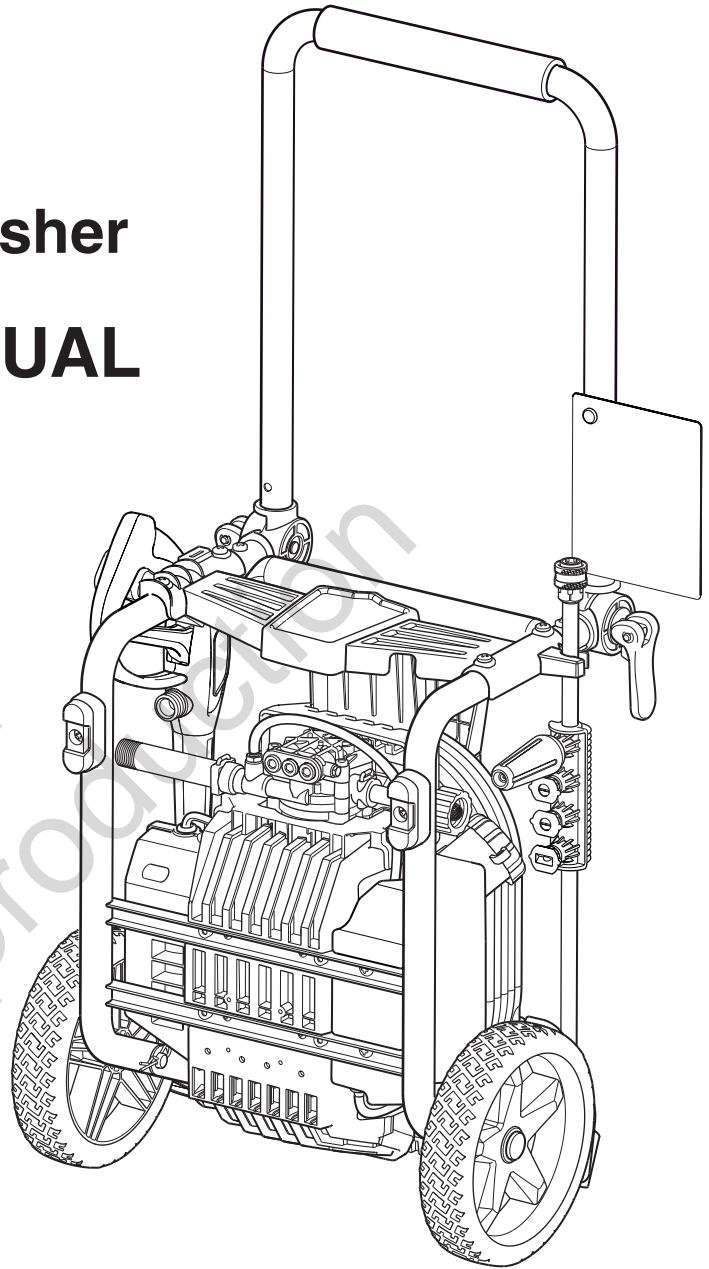




Electric Pressure Washer OPERATOR'S MANUAL



This pressure washer is rated in accordance to the Pressure Washer Manufacturers Association (PWMA) standard PW101-2010 (Testing and Rating Performance of Pressure Washers).

BRIGGS & STRATTON CORPORATION
MILWAUKEE, WISCONSIN, U.S.A.

Manual No. 80022993 Revision -

Thank you for purchasing this quality-built Briggs & Stratton® electric pressure washer. We are pleased that you've placed your confidence in the Briggs & Stratton brand. When operated and maintained according to the instructions in this manual, your Briggs & Stratton electric pressure washer will provide many years of dependable service.

This manual contains safety information to make you aware of the hazards and risks associated with electric pressure washers and how to avoid them. Because Briggs & Stratton does not necessarily know all the applications this electric pressure washer could be used for, it is important that you read and understand these instructions thoroughly before attempting to start or operate this equipment. **Save these original instructions for future reference.**

This electric pressure washer requires final assembly before use. Refer to the *Assembly* section of this manual for instructions on final assembly procedures. Follow the instructions completely.

Where to Find Us

You never have to look far to find Briggs & Stratton support and service for your electric pressure washer. Consult your Yellow Pages. There are over 30,000 Briggs & Stratton authorized service dealers worldwide who provide quality service. You can also contact Briggs & Stratton Customer Service by phone at **(800) 743-4115**, or on the Internet at BRIGGSandSTRATTON.COM.

Electric Pressure Washer

Model Number _____

Revision _____

Serial Number _____

Date Purchased _____

Register Your Product

To ensure prompt and complete warranty coverage, register your product online at www.onlineproductregistration.com.

Table of Contents


Operator Safety	3
Assembly	6
Features and Controls	8
Operation	9
Maintenance	12
Storage	13
Troubleshooting	14
Warranty	15
Specifications	16

Copyright © 2017. Briggs & Stratton Corporation
Milwaukee, WI, USA. All rights reserved.
BRIGGS & STRATTON is a registered
trademark of Briggs & Stratton Corporation.

Operator Safety

SAVE THESE INSTRUCTIONS

Equipment Description

 **WARNING** Failure to read and follow the operator's manual and all operating instructions before using could result in death or serious injury.



- Read this manual carefully and become familiar with your electric pressure washer. Know its applications, its limitations, and any hazards involved.

This electric pressure washer operates at a maximum of 2,000 PSI (138 BAR) and a flow rate of up to 1.2 GPM (4.5 liters/min).

Every effort has been made to ensure that the information in this manual is accurate and current. However, we reserve the right to change, alter, or otherwise improve the product and this document at any time without prior notice.

This ISM device complies with Canadian ICES-001.

Ground Fault Circuit Interrupter Protection

This pressure washer is provided with a ground-fault circuit-interrupter (GFCI) built into the plug of the power supply cord. This device provides additional protection from the risk of electric shock. Should replacement of the plug or cord become necessary, use only identical replacement parts that include GFCI protection.

Automatic Shut-Off

The electric pressure washer is equipped with a sensor that will detect that water flow has stopped when releasing the spray gun trigger. The sensor will cause the motor to shut off for as long as the spray gun trigger is released.

If the motor continues to run when the spray gun trigger is released, **DO NOT USE THE MACHINE**. Call the electric pressure washer helpline at **(800) 743-4115** for assistance.

NOTICE The electric pressure washer is equipped with a main power ON/OFF switch. The switch should always be moved to the OFF position (0) when the electric pressure washer is not being used to prevent possible damage.

Motor Overload

The electric motor in this electric pressure washer is equipped with an overload protection device (thermostat). This device will automatically shut off the motor if the motor overheats or draws excessive current.

If the overload protection device is tripped, disconnect the power supply by turning the master ON/OFF switch to the OFF (0) position. Let unit cool for 30 minutes. Then turn the master ON/OFF switch to the ON (I) position to resume operation.

Important Safety Information

Please read and understand this entire manual before attempting to assemble, operate or service the product. Follow the maintenance instructions specified in this manual. If you have any questions regarding the product, please call customer service at **(800) 743-4115**, 8 a.m. - 5 p.m., CST, Monday - Friday.

Safety Symbols and Meanings



Read Manual



Electrical Shock



Fire



Slippery Surface



Fall



Fluid Injection




Projectile





Flying Objects




Chemical Burn

 The safety alert symbol indicates a potential personal injury hazard. A signal word (**DANGER**, **WARNING**, or **CAUTION**) is used with the alert symbol to designate a degree or level of hazard seriousness. A safety symbol may be used to represent the type of hazard. The signal word **NOTICE** indicates information considered important, but not hazard-related.

 **DANGER** indicates a hazard which, if not avoided, *will* result in death or serious injury.

 **WARNING** indicates a hazard which, if not avoided, *could* result in death or serious injury.

 **CAUTION** indicates a hazard which, if not avoided, *could* result in minor or moderate injury.

NOTICE indicates information considered important, but not hazard-related.

⚠ WARNING Risk of electrocution. Use of an extension cord could cause electric shock or burn resulting in death or serious injury.



- DO NOT use an extension cord with this electric pressure washer. Your home's electrical circuit receptacle or extension cord may not provide lifesaving ground-fault circuit-interruption protection.

⚠ WARNING Risk of electrocution. Contacting both power conductors, at the same time could cause electric shock or burn resulting in death or serious injury.



- Connect only to a properly grounded outlet. DO NOT remove ground pin from plug.
- Inspect cord before each use, DO NOT use if cord is damaged.
- The product is equipped with a ground fault circuit interrupter (GFCI) built into the power cord plug. If replacement of the plug or cord is required, use only identical replacement parts.
- Keep all connections dry and off the ground.
- DO NOT touch plug with wet hands.
- DO NOT run cord through doorways, windows, holes in ceilings, walls, or floors.
- DO NOT walk on cord.
- DO NOT drive over, drag or place objects over cord.
- DO NOT spray near power source.

⚠ WARNING Use of electric pressure washer could create puddles and slippery surfaces. Risk of kickback. Spray gun could kickback causing you to fall resulting in death or serious injury.



- Operate the electric pressure washer from a stable surface.
- Do not overreach or stand on unstable support. Keep good footing and balance at all times.
- The cleaning area should have adequate slopes and drainage to reduce the possibility of a fall due to slippery surfaces.
- Be extremely careful if you must use the electric pressure washer from a ladder, scaffolding, or any other similar location.
- Firmly grasp spray gun with both hands when using power spray modes to avoid injury when spray gun kicks back.

⚠ WARNING Risk of eye or bodily injury. Spray could splash back, propel objects or cause internal harm resulting in serious injury.




- Always wear indirect vented (chemical splash) safety goggles marked to comply with ANSI Z87.1 when using or in vicinity of this equipment. NEVER substitute safety glasses or dry-condition goggles for indirect vented safety goggles.
- Know how to stop the pressure washer and bleed pressure quickly. Be thoroughly familiar with the controls.
- DO NOT allow CHILDREN to operate the electric pressure washer.
- Keep operating area clear of all persons.
- Inspect high pressure hose before each use. NEVER repair high pressure hose; replace it.
- DO NOT repair leaking connections with sealant of any kind; replace o-rings and gaskets.
- Keep hose connected to electric pressure washer and spray gun while system is pressurized.
- ALWAYS point spray gun in safe direction while system is pressurized and squeeze spray gun trigger to release high pressure, every time you turn off the pressure washer.
- DO NOT aim spray gun at people or animals.
- DO NOT drink from hose connected accessories.
- DO NOT secure spray gun in open position.
- DO NOT leave spray gun unattended while the electric pressure washer is in ON (I) position.
- DO NOT use a spray gun which does not have a trigger lock or trigger guard in place and in working order.
- Always be certain spray gun and accessories are correctly attached.
- Stay alert – watch what you are doing.
- DO NOT operate the product when fatigued or under the influence of alcohol or drugs.
- Close supervision is necessary when this product is used near children.


⚠ WARNING The high pressure stream of water that this equipment produces could cut through skin and its underlying tissues, resulting in serious injury and possible amputation.





- Spray gun traps high water pressure, even when motor is stopped and water is disconnected, which could result in serious injury.
- NEVER aim spray gun at people, animals, or plants.
 - ALWAYS point spray gun in safe direction, squeeze spray gun trigger to release high pressure, every time you turn off pressure washer.

 **WARNING** Risk of fire. Spraying flammable liquids could result in death or serious injury.

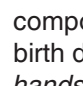
- DO NOT spray flammable liquids.

 **WARNING** Risk of fire. Overheated cord could result in death or serious injury.

- Uncoil cord completely prior to use.
- DO NOT cover cord with any material.

  **WARNING** Chemical Burn Hazard. Chemicals could cause burns resulting in death or serious injury.

- Always wear indirect vented (chemical splash) safety goggles marked to comply with ANSI Z87.1 when using chemicals.
- DO NOT substitute safety glasses or dry-condition goggles for indirect vented safety goggles.
- DO NOT use caustic liquid with electric pressure washer.
- Use ONLY pressure washer safe detergents/soaps. Follow all manufacturers instructions.

 **WARNING** This product contains lead and lead compounds, known to the State of California to cause birth defects or other reproductive harm. *Wash your hands after handling this product.*

NOTICE High pressure spray could damage fragile items including glass.

- NEVER aim spray gun at plants.

NOTICE You must protect your unit from freezing temperatures.

- Failure to do so will permanently damage your pump and render your unit inoperable.
- Freeze damage is not covered under warranty.

NOTICE Improper treatment of electric pressure washer could damage it and shorten its life.

- If you have questions about intended use, ask dealer or contact authorized service center.
- DO NOT operate units with broken or missing parts, or without protective housing or covers.
- DO NOT by-pass any safety device on the electric pressure washer.
- DO NOT modify the electric pressure washer in any way.
- DO NOT move the electric pressure washer by pulling on hoses. Move unit using the transport handle supplied.
- Use ONLY branded accessories intended for use with this product.

Not for
Reproduction

Assembly

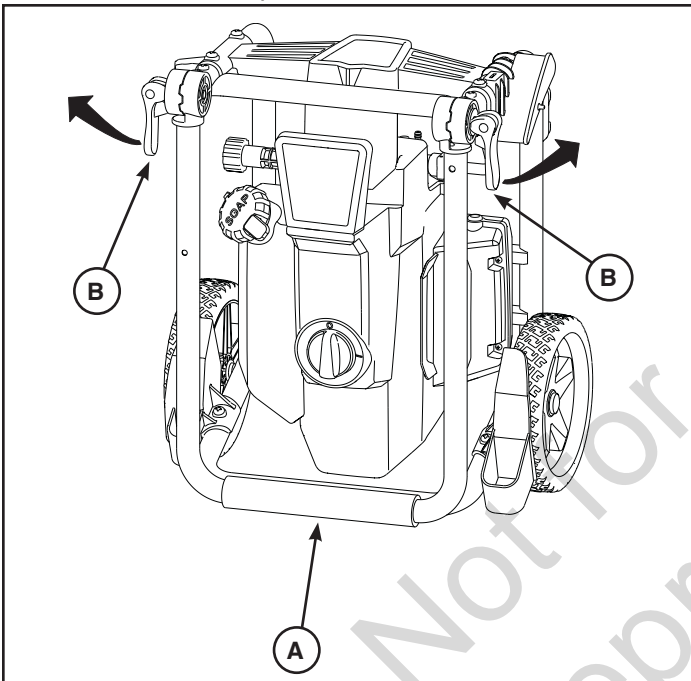


Read entire operator's manual before you attempt to assemble or operate your new electric pressure washer.

Your electric pressure washer requires some assembly but is quickly ready for use. If you have any problems with the assembly of your electric pressure washer, please call the electric pressure washer helpline at **(800) 743-4115**. If calling for assistance, please have the model, revision, and serial number from the identification label available.

Unpack Electric Pressure Washer

1. Remove everything from carton.
2. Raise handle **(A)** to upright position by pulling up latch **(B)** on each side of handle. Push latches down to secure handle in place.



NOTICE The unit is equipped with a foldable handle. The handle can be folded down for storage. See *Final Storage Procedures*.

3. Ensure you have all included items prior to assembly.

Items Included in the Carton

- Main unit
- Operator's Manual
- Spray gun
- High pressure hose
- Spray wand with spray tip holder
- Turbo spray tip
- Quick Connect (QC) spray tips (3)

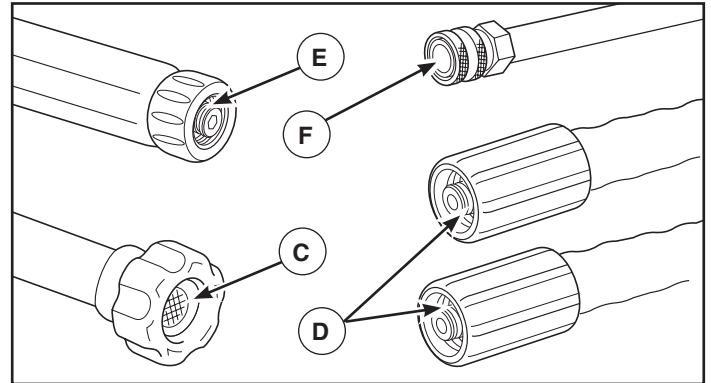
Check all contents. If any parts are missing or damaged, call the electric pressure washer helpline at **(800) 743-4115**.

Become familiar with each component before assembling the electric pressure washer. Identify contents with the illustration shown in *Features and Controls*.

Lubricate O-Rings

Lubrication of o-rings is extremely important for installation and operation. The use of a lubricant (petroleum or synthetic grease) during assembly helps seat o-rings properly and provides an improved seal. It also helps protect the o-ring from damage by abrasion, pinching or cutting and extends the life of the o-ring.

NOTICE ALWAYS apply a small amount of lubricant on o-rings prior to assembling the garden hose to the pump **(C)**, high pressure hose **(D)**, spray gun **(E)** and spray wand **(F)**.



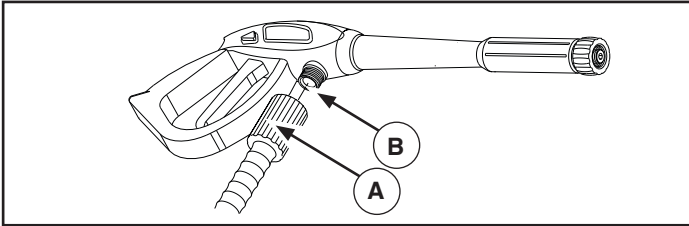
Lubricate all connections shown below, following these instructions:

1. Inspect and clean connecting surfaces prior to lubrication and assembly.
2. Use lubricants sparingly during assembly; a light film is all that is required.
3. Use a small brush or cotton swab to apply grease directly to o-rings where they are not accessible (QC fitting, M22 fitting).

Connect Hose and Water Supply to Pump

NOTICE DO NOT run the pump without the water supply connected and turned on.

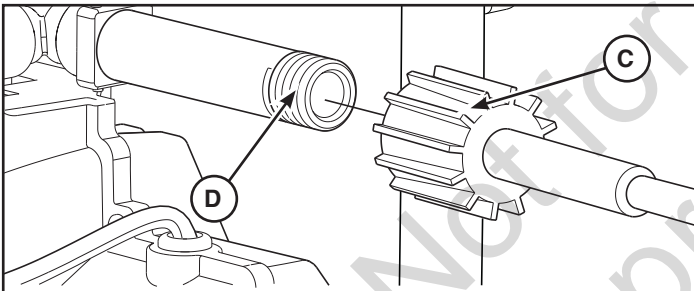
- Damage to equipment resulting from failure to follow this instruction will void warranty.
1. Uncoil high pressure hose (A) and attach black end of hose to base of spray gun (B). Tighten by hand.



WARNING The high pressure stream of water that this equipment produces could cut through skin and its underlying tissues, resulting in serious injury and possible amputation.

- NEVER connect high pressure hose to spray wand.
- Keep high pressure hose connected to pump and spray gun while system is pressurized.
- Always be certain spray gun, nozzles and accessories are correctly attached.

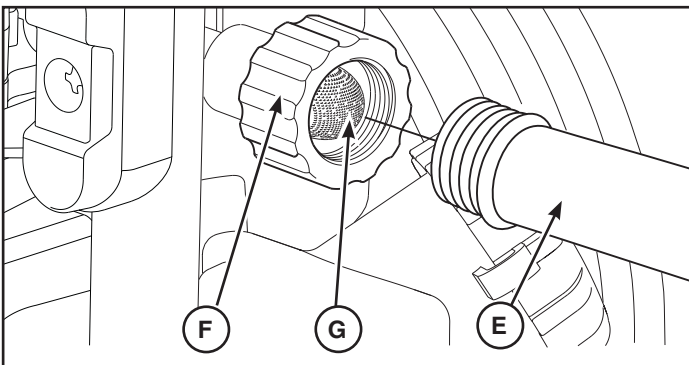
2. Attach red end of high pressure hose (C) to high pressure outlet (D) on pump. Tighten by hand.



3. Run water through your garden hose for 30 seconds to clean out any debris.

NOTICE DO NOT siphon standing water for the water supply. Use ONLY cold water (less than 100°F (38°C)).

4. Before connecting garden hose (E) to water inlet (F), inspect inlet screen (G). Clean screen if it contains debris or have it replaced if damaged. DO NOT run pressure washer if inlet screen is damaged.



NOTICE Using a One Way Valve (vacuum breaker or check valve) at pump inlet could cause pump or inlet connector damage.

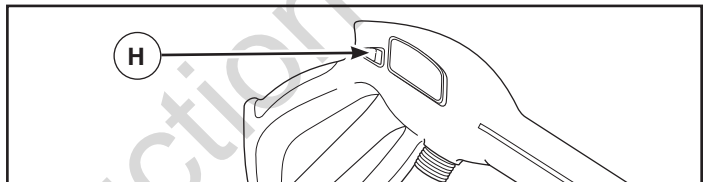
- There MUST be at least 10 ft. (3 m) of unrestricted garden hose between the pressure washer inlet and any device, such as a vacuum breaker or check valve.
 - Damage to equipment resulting from failure to follow this instruction will void warranty.
5. Connect the garden hose (E) (not to exceed 50 ft. (15 m) in length) to the water inlet (F). Tighten by hand.

WARNING Risk of eye injury. Spray could splash back or propel objects resulting in serious injury.



- Always wear indirect vented (chemical splash) safety goggles marked to comply with ANSI Z87.1 when using or in vicinity of this equipment.
- NEVER substitute safety glasses or dry-condition goggles for indirect vented safety goggles.

6. Turn ON the water, press red button (H) on the gun and squeeze the trigger to purge the pump system of air and impurities.



Checklist Before Starting Pump Motor

Review the unit's assembly to ensure you have performed all of the following.

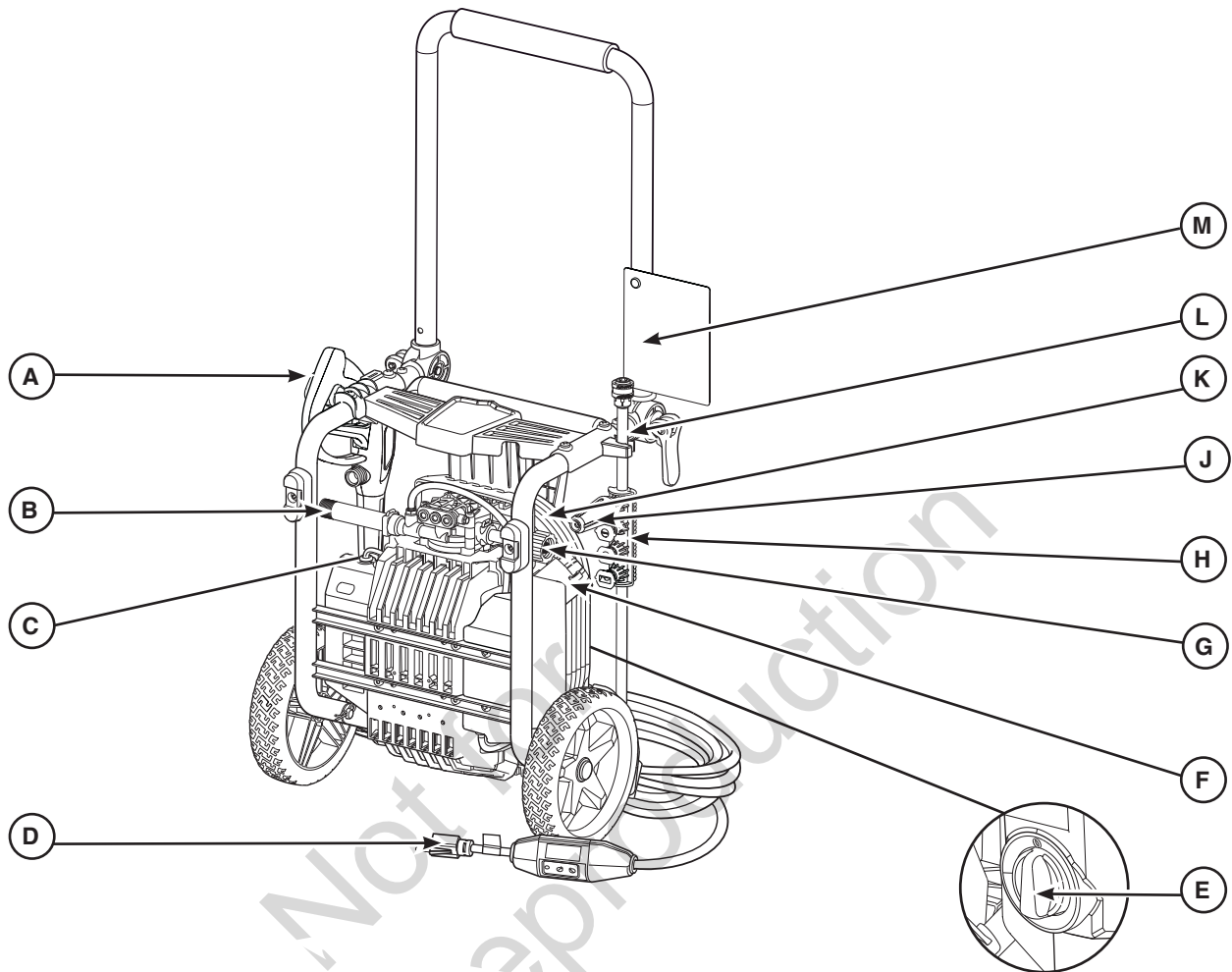
1. Be sure to read *Operator Safety and Operation* before using the electric pressure washer.
2. Check for properly tightened hose connections.
3. Check to make sure there are no kinks, cuts, or damage to hoses.
4. Provide a proper water supply at an adequate flow.
5. Plug electrical power cord into a dedicated electrical circuit rated for 120 Volts AC at 15 Amps that is properly installed in accordance with all local codes and ordinances. Check that circuit is not used to supply any other electrical needs.

Features and Controls



Read the Operator's Manual and safety rules before operating your electric pressure washer.

Compare the illustrations with your electric pressure washer to familiarize yourself with the locations of various controls and adjustments. Save this original manual for future reference.



A - Spray Gun — Controls the application of water onto cleaning surface with trigger device. Includes trigger lock.

B - High Pressure Outlet — Connection for high pressure hose.

C - Identification Label — Provides model and serial number of pressure washer. Please have these readily available if calling for assistance.

D - Electric Cord with GFCI — The electric pressure washer and operator is protected by a ground fault circuit interrupter (GFCI).

E - Master ON/OFF Switch — Turn switch to ON (I) position to start pressure washer. Turn switch to OFF (O) position to stop pressure washer.

F - Detergent Tank — Use to hold up to 40 fl. oz. (1.2 l) of pressure washer safe detergent.

G - Water Supply Inlet — Connect to water supply using a 50 ft. (15.24 m) maximum garden hose.

H - Spray Tips — Detergent, 15°, and 25° for various high pressure cleaning applications.

J - Turbo Spray Tip — Whirls a powerful pin-point jet of water for intense cleaning.

K - High Pressure Hose — Connect red end to high pressure water outlet and black end to spray gun.

L - Spray Wand — Allows you to switch between different spray tips.

M - Warning Label — Identifies hazards to be avoided when using your pressure washer.

Operation

How to Start Your Electric Pressure Washer

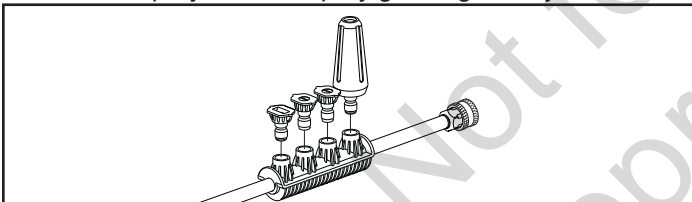
Follow the instructions below in the order presented. If you have any problems operating your electric pressure washer, please call the electric pressure washer helpline at (800) 743-4115.

⚠ WARNING Risk of eye injury. Spray could splash back or propel objects resulting in serious injury. Always wear indirect vented (chemical splash) safety goggles marked to comply with ANSI Z87.1 when using or in vicinity of this equipment. NEVER substitute safety glasses or dry-condition goggles for indirect vented safety goggles.

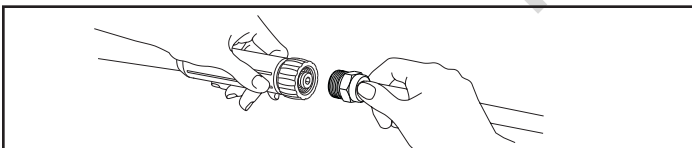
1. Place pressure washer near an outside water source capable of supplying water at a flow rate greater than 3.0 gallons (11.4 l) per minute and no less than 20 PSI (1.3 BAR) at pressure washer end of garden hose. DO NOT siphon supply water.
2. Check that high pressure hose is tightly connected to spray gun and high pressure outlet. See *Assembly* section.
3. Connect garden hose to water inlet.

NOTICE DO NOT run the pump without the water supply connected and turned on.

- Damage to equipment resulting from failure to follow this instruction will void warranty.
4. Turn ON water, point gun in a safe direction, press trigger lock button and squeeze trigger to purge pump system of air.
 5. Place quick connect turbo and colored spray tips in slots in holder attached to spray wand.
 6. Attach spray wand to spray gun. Tighten by hand.

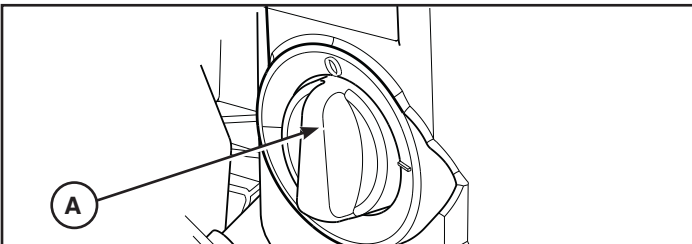


7. Choose spray tip you want to use, pull back on collar of spray wand, insert spray tip and release collar. Tug on spray tip to make sure it is securely in place. See *How to Use Spray Tips*.



NOTICE The unit can be operated in vertical or horizontal positions.

8. Turn master ON/OFF switch (A) to OFF (0) position.

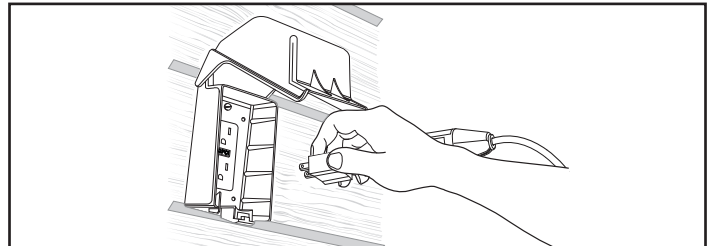


⚠ WARNING Risk of electrocution. Use of an extension cord could cause electric shock or burn resulting in death or serious injury.



- DO NOT use an extension cord with this electric pressure washer. Your home's electrical circuit receptacle or extension cord may not provide lifesaving ground-fault circuit-interruption protection.

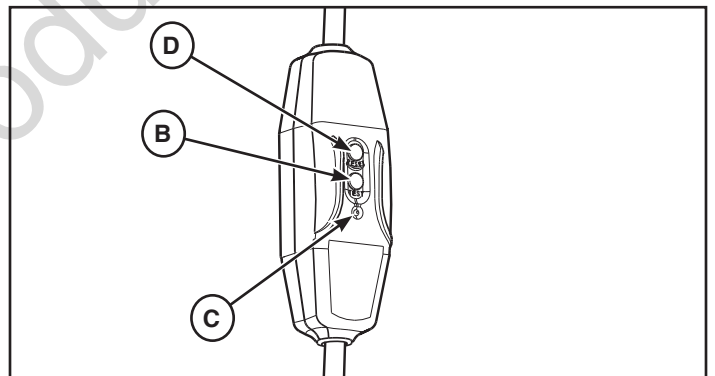
9. Plug electrical power cord into a dedicated electrical circuit rated for 120 Volts AC at 15 Amps that is properly installed in accordance with all local codes and ordinances. Circuit is not to supply any other electrical needs. The indicator light on the GFCI should be ON.



NOTICE The indicator light must be ON for the electric pressure washer to operate.

⚠ WARNING Risk of electrocution. Non-operating ground fault circuit interrupter (GFCI) could result in death or bodily injury. If indicator light does not stay ON after test and reset, do not use GFCI.

10. Press TEST button (B). The indicator light (C) should be OFF.



11. Press RESET button (D). The indicator light (C) should be ON.

NOTICE DO NOT use the electric pressure washer if above test fails.

12. Turn master ON/OFF switch to ON (I) position.
13. Point gun in a safe direction, press trigger lock button and squeeze trigger.

The electric pressure washer motor will start and stop as spray gun trigger is depressed and released.

The electric pressure washer is now ready for use.

Instructions for use of the supplied accessories are given later in this section.


How to Stop Your Electric Pressure Washer

The electric pressure washer motor runs only when the trigger is engaged. To stop the electric pressure washer and turn off the motor:

1. Release spray gun trigger.
2. Turn master ON/OFF switch to OFF (0) position.

NOTICE Releasing the trigger will shut off the motor but does not shut off electrical power to the unit.

3. Turn off water supply.
4. ALWAYS point spray gun in a safe direction, press trigger lock button and squeeze trigger to relieve built up pressure in the unit.

 **WARNING** The high pressure stream of water that this equipment produces could cut through skin and its underlying tissues, resulting in serious injury and possible amputation.

Spray gun traps high water pressure, even when motor is stopped and water is disconnected, which could result in serious injury.

- Keep high pressure hose connected to pump and spray gun while system is pressurized.
- ALWAYS point spray gun in safe direction, squeeze spray gun trigger to release high pressure, every time you turn off pressure washer.


5. Disconnect GFCI plug from outlet.

How to Use Spray Tips

The quick-connect on the spray wand allows you to switch between four different quick connect spray tips. Spray tips can be changed while pressure washer is running once spray gun trigger lock is engaged.

Follow these instructions to change spray tips:

1. Pull back collar on quick-connect and pull current spray tip off. Store spray tips in holder provided on the spray wand.

 **WARNING** The high pressure stream of water that this equipment produces could cut through skin and its underlying tissues, resulting in serious injury and possible amputation.

- NEVER exchange nozzles without the trigger lock being engaged on the spray gun.
- DO NOT twist nozzles while spraying.


2. Select desired spray tip.
 - For intense cleaning, whirls a powerful pin-point jet of water, select turbo spray tip.
 - For general rinsing, ideal for most all purpose cleaning such as home siding, brick patios, wood decks, driveways and sidewalks, garage floors, etc., select 15° yellow spray tip.
 - For gentle cleaning of cars/trucks, boats, RV's, patio furniture, lawn equipment, etc., select 25° green spray tip.
 - To apply detergent, applies project specific cleaners to help break down stubborn dirt and grime on a variety of surfaces, select black detergent spray tip.

3. Pull back on collar, insert new spray tip and release collar. Tug on spray tip to make sure it is securely in place.

Usage Tips

- For most effective cleaning, keep nozzle from 8 to 24 inches away from cleaning surface.
- If you get nozzle too close, especially using a high pressure spray pattern spray tip, you may damage surface being cleaned.
- Do Not get closer than 6 inches (15 cm) when cleaning tires.

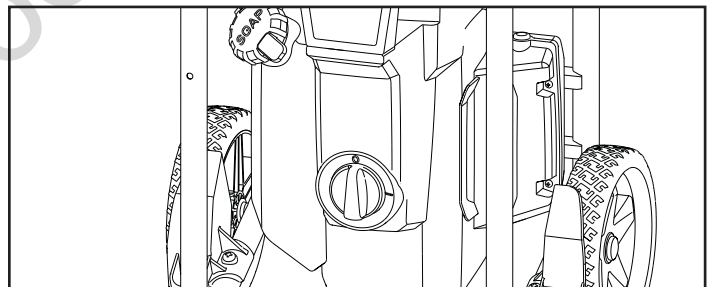
Applying Detergent

 **WARNING** Chemical Burn Hazard. Chemicals could cause burns resulting in death or serious injury.

- Always wear indirect vented (chemical splash) safety goggles marked to comply with ANSI Z87.1 when using chemicals.
- DO NOT substitute safety glasses or dry-condition goggles for indirect vented safety goggles.
- DO NOT use caustic liquid with electric pressure washer.
- Use ONLY pressure washer safe detergents/soaps. Follow all manufacturers instructions.

To apply detergent, follow these steps:

1. Review use of spray tips shown in *How to Use Spray Tips*.
2. Prepare your detergent solution as required by job to be performed.
3. Remove cap from detergent tank and fill with detergent solution. Replace cap.



4. Install black detergent spray tip.

NOTICE Detergent cannot be applied with the high pressure spray tips (Turbo, Yellow or Green).

5. Make sure garden hose is connected to water inlet and high pressure hose is connected to spray gun and high pressure outlet. Turn on water.
6. Start the pressure washer as instructed in *How to Start Your Electric Pressure Washer*.
7. Apply detergent to a dry surface, starting at lower portion of area to be washed and work upward using long, even, overlapping strokes.
8. Allow detergent to "soak in" for 3-5 minutes before washing and rinsing. Reapply as needed to prevent surface from drying. To prevent streaking, Do Not allow detergent to dry on surface.

Electric Pressure Washer Rinsing

1. Select desired high pressure spray tip following instructions *How to Use Spray Tips*.
2. Keep spray gun a safe distance from area you plan to spray.



WARNING Risk of kickback. Spray gun could kickback causing you to fall resulting in death or serious injury.

- Operate the electric pressure washer from a stable surface.
- Be extremely careful if you must use the electric pressure washer from a ladder, scaffolding, or any other similar location.
- Firmly grasp spray gun with both hands when using power spray modes to avoid injury when spray gun kicks back.

3. Apply a high pressure spray to a small area and then check surface for damage. If no damage is found, you can assume it is okay to continue rinsing.
4. Start at top of area to be rinsed, working down with same overlapping strokes as you used for cleaning.

Other Cleaning Tips

- NEVER leave the electric pressure washer unattended while it is plugged into an electrical outlet and while water is supplied to the equipment.
- If you have the spray tip too far away from the surface being washed, the cleaning may not be as effective.

How to Store Accessories

The unit is equipped with areas to store your high pressure hose, spray gun, spray wand, and power cord. Coil power cord and high pressure hose around hook. Store spray gun in the spray gun holder. Store the spray wand in the spray wand holder. Store spray tips in holder provided on the spray wand. Identify all accessories with the illustrations in *Features and Controls*.

Not for
Reproduction

Maintenance

General Recommendations

Regular maintenance will improve the performance and extend the life of the electric pressure washer.

The electric pressure washer's warranty does not cover items that have been subjected to operator abuse or negligence. To receive full value from the warranty, the operator must maintain the electric pressure washer as instructed in this manual, including proper storage.

NOTICE Should you have questions about replacing components on your electric pressure washer, please call **(800) 743-4115** for assistance.

Before Each Use

1. Clean debris.
2. Check water inlet screen for debris or damage.
3. Check high pressure hose for leaks.
4. Check spray gun operation.

Electric Pressure Washer Maintenance

Clean Debris

Daily or before use, clean accumulated debris from electric pressure washer. Inspect cooling air slots and openings on the front, rear and bottom of the electric pressure washer. These openings must be kept clean and unobstructed.

The electric pressure washer parts should be kept clean to reduce the risk of overheating and ignition of accumulated debris.

- Use a damp cloth to wipe exterior surfaces clean.

NOTICE Improper treatment of the electric pressure washer can damage it and/or shorten its life.

- DO NOT insert any objects through cooling slots.

Check and Clean Water Inlet Screen

Examine the screen on the unit's water inlet. Clean it if the screen is clogged or replace it if screen is damaged.

Check High Pressure Hose

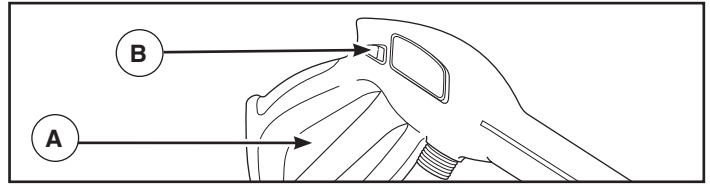
The high pressure hose can develop leaks from wear, kinking, or abuse. Inspect the hose each time before using it. Check for cuts, leaks, abrasions or bulging of cover, damage or movement of couplings. If any of these conditions exist, replace the hose immediately.

WARNING The high pressure stream of water that this equipment produces could cut through skin and its underlying tissues, resulting in serious injury and possible amputation.

- NEVER repair high pressure hose. Replace it.
- Replacement hose rating MUST equal or exceed maximum pressure rating of unit.

Check Spray Gun

Examine hose connection to spray gun and make sure it is secure. Test trigger **(A)** by pressing trigger lock button **(B)** and making sure trigger "springs back" into place when you release it. You should not be able to press trigger without pressing trigger lock button. Replace spray gun immediately if it fails any of these tests.



Spray Tip Maintenance

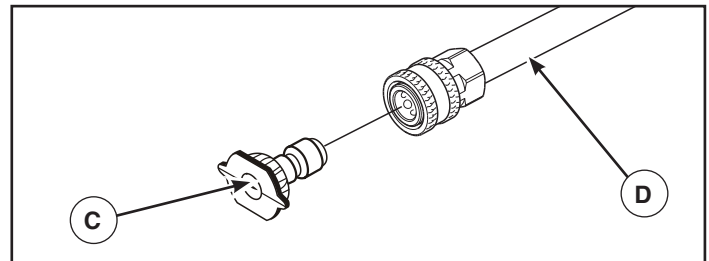
A pulsing sensation felt while squeezing the spray gun trigger may be caused by excessive pump pressure. The principal cause of excessive pump pressure is a clogged spray tip or restricted with foreign materials, such as dirt, etc. To correct the problem, immediately clean the spray tip following these instructions:

1. Turn the master ON/OFF switch to the OFF (0) position.
2. ALWAYS point spray gun in a safe direction, press red button and squeeze spray gun trigger to release retained high water pressure.

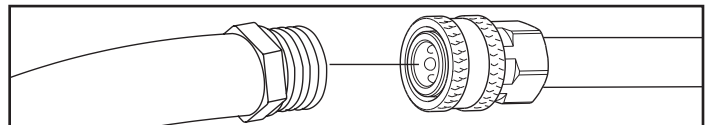
WARNING The high pressure stream of water that this equipment produces could cut through skin and its underlying tissues, resulting in serious injury and possible amputation. Spray gun traps high water pressure, even when motor is stopped and water is disconnected, which could result in serious injury.

- Keep high pressure hose connected to pump and spray gun while system is pressurized.
- ALWAYS point spray gun in safe direction, squeeze spray gun trigger to release high pressure, every time you turn off pressure washer.

3. Remove spray tip **(C)** from end of spray wand **(D)**.



4. Use a small paper clip to free any foreign material clogging or restricting spray tip.
5. Remove spray wand from spray gun.
6. Using a garden hose, remove additional debris by back flushing water through spray wand. Back flush between 30 to 60 seconds.



7. Reinstall spray tip into spray wand.
8. Reconnect spray wand to spray gun.
9. Make sure garden hose is connected to water inlet. Check that high pressure hose is connected to spray gun and pump. Turn on water.
10. Plug power cord into electrical outlet and turn the master ON/OFF switch to the pressure washer ON (I) position.
11. Test pressure washer by operating with each quick connect spray tip.

Pump and Motor Maintenance

The electric pressure washer does not require any maintenance to the pump or motor. Both assemblies are pre-lubricated and sealed, requiring no additional lubrication ever.

After Each Use

Water should not remain in the unit for long periods of time. Sediments or minerals can deposit on pump parts and “freeze” pump action. Follow these procedures after every use:

1. To ensure detergent tank does not drain during storage, run electric pressure washer with soap spray tip until tank is empty.
2. Add 0.5 liter of clean fresh water to detergent tank, run electric pressure washer with the black detergent spray tip. Flush for one or two minutes.
3. Turn master ON/OFF switch to OFF (0) position. Remove power cord plug from electrical outlet.
4. Turn off water supply. Point gun in a safe direction, press trigger lock button and squeeze trigger to relieve trapped pressure.
5. Disconnect garden hose from water inlet. Disconnect high pressure hose from spray gun and high pressure outlet.
6. Drain water from hose and spray gun, then use a cloth or equivalent to wipe off all exterior surfaces.
7. Drain water from pump by tipping unit onto its right side (water inlet facing down) for two minutes. Flip unit over and let rest on high pressure outlet for an additional two minutes.
8. Coil power cord and high pressure hose around hook.
9. Store spray gun in spray gun holder. Store spray wand in spray wand holder. Store spray tips in holder provided on the spray wand. See *Features and Controls* and *Final Storage Procedures*.
10. Store unit in a clean, dry area. The unit can be stored in vertical or horizontal position.
11. If storing for more than 30 days see *Winter or Long Term Storage*.

Winter or Long Term Storage

Follow steps 1-9 in *After Each Use*.

NOTICE Water left in pump could freeze and permanently damage pump. Freeze damage is not covered under warranty.

Protecting the Pump

To protect the pump from damage caused by mineral deposits or freezing, use PumpSaver, Model 6039, to treat pump. This prevents freeze damage and lubricates plunger and seals.

NOTICE PumpSaver is available as an optional accessory. It is not included with the electric pressure washer. Contact the nearest authorized service center to purchase Pump Saver.

NOTICE You must protect your unit from freezing temperatures.

- Failure to do so will permanently damage your pump and render your unit inoperable.
- Freeze damage is not covered under warranty.

To use PumpSaver, make sure electric pressure washer is turned off and inlet and outlet hoses are disconnected. Read and follow all instructions and warnings given on the PumpSaver container.

Final Storage Procedures

1. Coil power cord and high pressure hose around hook.
2. Store spray gun in spray gun holder. Store spray wand in spray wand holder. Store spray tips in holder provided on the spray wand. See *Features and Controls* and *Final Storage Procedures*.
3. Store unit in a clean, dry area that is protected from freezing temperatures. The handle can be folded down for storage. The unit can be operated in vertical or horizontal positions.
4. Cover unit with a suitable protective cover that does not retain moisture.

Troubleshooting

Problem	Cause	Correction
<p>Pump has following problems: failure to produce pressure, erratic pressure, chattering, loss of pressure, low water volume.</p>	<ol style="list-style-type: none"> 1. Water inlet is blocked. 2. Inadequate water supply. 3. Garden hose is kinked or leaking. 4. Clogged water inlet screen. 5. Water supply is over 100°F (38°C). 6. High pressure hose is blocked or leaks. 7. Spray tip is obstructed. 	<ol style="list-style-type: none"> 1. Clear inlet. 2. Provide adequate water flow. 3. Straighten garden hose or replace if leaking. 4. Check and clean water inlet screen. 5. Provide cooler water supply. 6. Clear blocks in high pressure hose or replace hose. 7. Clean spray tip.
<p>Unit fails to start when spray gun trigger is squeezed.</p>	<ol style="list-style-type: none"> 1. Water supply is not turned on. 2. Unit is not turned on. 3. Garden hose is too long. 4. Fuse blown or circuit breaker tripped. 	<ol style="list-style-type: none"> 1. Turn on water supply. 2. Turn master ON/OFF switch to ON (I) position. Reset GFCI. 3. Use only 50 ft. (15.24 m) maximum garden hose. 4. a.) Check fuse box for blown fuse and replace as necessary or reset circuit breaker. Do not use a fuse or circuit breaker with a higher rating than that specified for your particular branch circuit. b.) Disconnect other electrical appliances and turn off lights in the circuit or operate the pressure washer on its own dedicated circuit.
<p>Detergent fails to mix with spray.</p>	<ol style="list-style-type: none"> 1. High pressure spray tip installed. 2. Inlet water supply pressure too high. 	<ol style="list-style-type: none"> 1. Replace with black detergent spray tip. 2. Slowly close water supply valve until chemical just starts to draw (soap suds will appear when chemical starts to draw).
<p>Hose connections leaking.</p>	<ol style="list-style-type: none"> 1. Garden hose loose to water inlet. 2. Loose high pressure hose connections. 3. Damaged o-ring. 	<ol style="list-style-type: none"> 1. Hand tighten garden hose to water inlet. 2. Remove hose completely and reinstall hand tight. 3. Replace o-ring.

For all other issues, see a Briggs & Stratton authorized dealer.

BRIGGS & STRATTON WARRANTY POLICY

LIMITED WARRANTY

Briggs & Stratton warrants that, during the warranty period specified below, it will repair or replace, free of charge, any part that is defective in material or workmanship or both. Transportation charges on product submitted for repair or replacement under this warranty must be borne by purchaser. This warranty is effective for and is subject to the time periods and conditions stated below. For warranty service, contact Briggs & Stratton Customer Service by phone at (800) 743-4115, or on the internet at BRIGGSANDSTRATTON.COM.

There is no other express warranty. Implied warranties, including those of merchantability and fitness for a particular purpose, are limited to the warranty period listed below, or to the extent permitted by law. Liability for incidental or consequential damages are excluded to the extent exclusion is permitted by law. Some states or countries do not allow limitations on how long an implied warranty lasts, and some states or countries do not allow the exclusion or limitation of incidental or consequential damages, so the above limitation and exclusion may not apply to you. This warranty gives you specific legal rights and you may also have other rights which vary from state to state or country to country.**

WARRANTY PERIOD

Consumer Use	Commercial Use
12 months	None

** In Australia - Our goods come with guarantees that cannot be excluded under the Australian Consumer Law. You are entitled to a replacement or refund for a major failure and for compensation for any other reasonably foreseeable loss or damage. You are also entitled to have the goods repaired or replaced if the goods fail to be of acceptable quality and the failure does not amount to a major failure. For warranty service, find the nearest Authorized Service Dealer in our dealer locator map at BRIGGSANDSTRATTON.COM, or by calling 1300 274 447, or by emailing or writing to salesenquires@briggsandstratton.com.au, Briggs & Stratton Australia Pty Ltd, 1 Moorebank Avenue, NSW, Australia, 2170.

The warranty period begins on the date of purchase by the first retail or commercial consumer. "Consumer use" means personal residential household use by a retail consumer. "Commercial use" means all other uses, including use for commercial, income producing or rental purposes. Once a product has experienced commercial use, it shall thereafter be considered as a commercial use product for purposes of this warranty.

Save your proof of purchase receipt. If you do not provide proof of the initial purchase date at the time warranty service is requested, the manufacturing date of the product will be used to determine the warranty period. Product registration is not required to obtain warranty service on Briggs & Stratton products.

ABOUT YOUR WARRANTY

Most warranty repairs are handled routinely, but sometimes requests for warranty service may not be appropriate. This warranty covers only defects in materials or workmanship. It does not cover damage caused by improper use or abuse, improper maintenance or repair, normal wear and tear, or stale or unapproved fuel.

Improper Use and Abuse - The proper, intended use of this product is described in the Operator's Manual. Using the product in a way not described in the Operator's Manual or using the product after it has been damaged will not be covered under this warranty. Warranty coverage will also not be provided if the serial number on the product has been removed or the product has been altered or modified in any way, or if the product has evidence of abuse such as impact damage or water/chemical corrosion damage.

Improper Maintenance or Repair - This product must be maintained according to the procedures and schedules provided in the Operator's Manual, and serviced or repaired using genuine Briggs & Stratton parts or equivalent. Damage caused by lack of maintenance or use of non-original parts is not covered by warranty.

Normal Wear and Tear - Like most mechanical devices, your unit is subject to wear even when properly maintained. This warranty does not cover repairs when normal use has exhausted the life of a part or the equipment. Maintenance and wear items such as filters, belts, cutting blades, and brake pads (except engine brake pads) are not covered by warranty due to wear characteristics alone, unless the cause is due to defects in material or workmanship.

Stale or Unapproved Fuel - In order to function correctly, this product requires fresh fuel that conforms to the criteria specified in the Operator's Manual. Engine or equipment damage caused by stale fuel or the use of unapproved fuels (such as E15 or E85 ethanol blends) is not covered by warranty.

Other Exclusions - This warranty excludes damage due to accident, abuse, modifications, alterations, improper servicing, freezing or chemical deterioration. Attachments or accessories that were not originally packaged with the product are also excluded. There is no warranty coverage on equipment used for primary power in place of utility power or on equipment used in life support applications. This warranty does not include used, reconditioned, second-hand, or demonstration equipment or engines. This warranty also excludes failures due to acts of God and other force majeure events beyond the manufacturer's control.

80018419_EN Rev A



Electric Pressure Washer

Specifications

Max Outlet Pressure 2,000 PSI (138 BAR)* @ 1.2 GPM (4.5 liters/min)
Max Flow Rate 1.2 GPM (4.5 liters/min)* @ 2,000 PSI (138 BAR)
Detergent Mix See MFR's Instructions
Water Supply Temperature Not to exceed 100°F (38°C)
Motor Induction Type
Rated Voltage 120 Volts AC
Current. 13.0 Amps

Not for
Reproduction

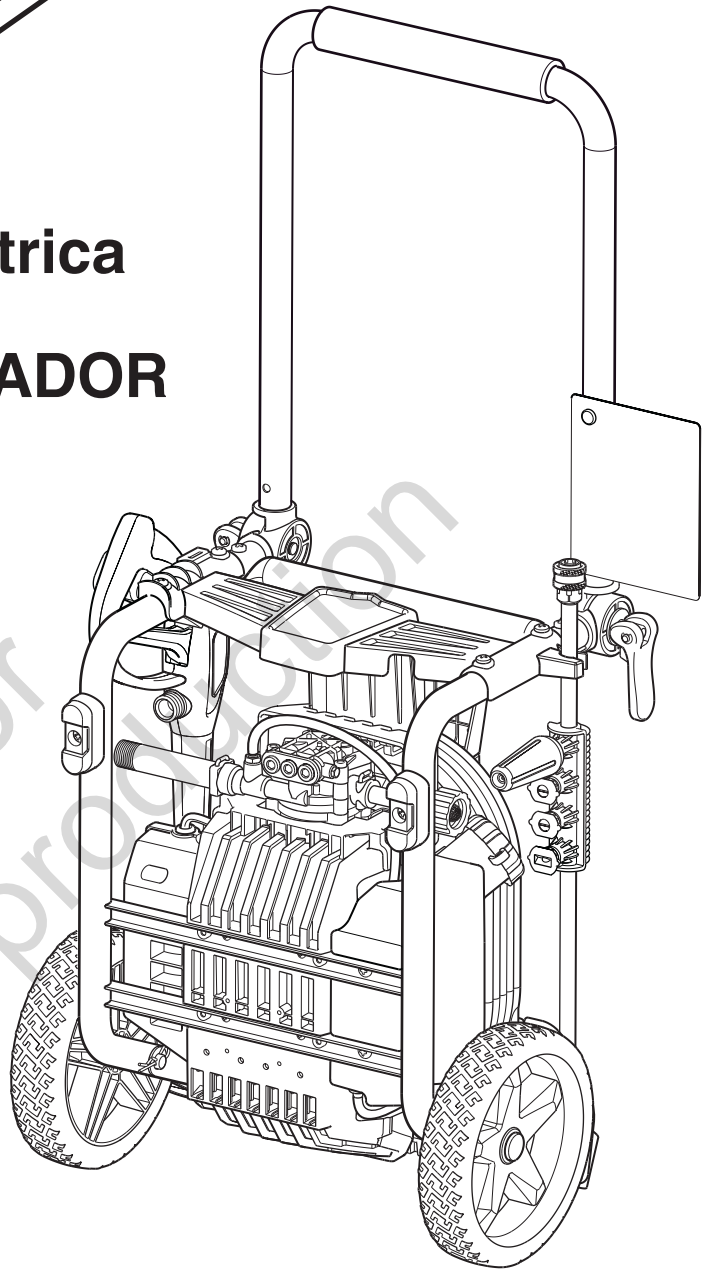
* This pressure washer is rated in accordance to the Pressure Washer Manufacturers Association (PWMA) standard PW101-2010 (Testing and Rating Performance of Pressure Washers).

Briggs & Stratton Corporation
P.O. Box 702
Milwaukee, Wisconsin, 53201-0702 U.S.A.



Hidrolavadora eléctrica

MANUAL DEL OPERADOR



Esta hidrolavadora está clasificada de acuerdo a la norma PW101-2010 (Pruebas y valoración de rendimiento de hidrolavadoras) de la Asociación de Fabricantes de Hidrolavadoras (PWMA, Pressure Washer Manufacturers Association).

BRIGGS & STRATTON CORPORATION
MILWAUKEE, WISCONSIN, EE. UU.

Gracias por comprar esta hidrolavadora eléctrica Briggs & Stratton® de alta calidad. Nos complace que haya depositado su confianza en la marca Briggs & Stratton. Si la operación y el mantenimiento de su producto Briggs & Stratton se realiza según las instrucciones de este manual, le proporcionará muchos años de servicio confiable.

Este manual contiene información de seguridad para alertarlo sobre los peligros y riesgos asociados con las hidrolavadoras eléctricas, y para indicarle cómo evitarlos. Dado que Briggs & Stratton no conoce necesariamente todas las aplicaciones para las cuales se podría utilizar esta hidrolavadora eléctrica, es importante que usted lea detalladamente y entienda estas instrucciones antes de hacer arrancar o utilizar este equipo. **Guarde estas instrucciones originales para futuras consultas.**

Esta hidrolavadora eléctrica requiere su montaje final antes de su uso. Consulte la sección *Montaje* de este manual para conocer las instrucciones sobre los procedimientos de montaje final. Siga las instrucciones detalladamente.

Contacto

Nunca debe ir demasiado lejos para encontrar el soporte y el servicio de Briggs & Stratton para su hidrolavadora eléctrica. Consulte las Páginas Amarillas. Existen más de 30.000 distribuidores de servicio autorizado por Briggs & Stratton en todo el mundo, quienes suministran servicio de calidad. También puede ponerse en contacto con Atención al Cliente de Briggs & Stratton por teléfono al **(800) 743-4115** o en Internet en BRIGGSandSTRATTON.COM.

Hidrolavadora eléctrica

Número de modelo _____

Revisión _____

Número de serie _____

Fecha de compra _____

Registrar su producto

Para asegurar pronta y completa cobertura de la garantía, registre su producto en línea en www.onlineproductregistration.com.

Índice


Seguridad del operador	3
Montaje	6
Características y controles.....	8
Operación	9
Mantenimiento	11
Almacenamiento.....	13
Solución de problemas.....	14
Garantía.....	15
Especificaciones.....	16

Copyright © 2017. Briggs & Stratton Corporation
Milwaukee, WI, USA. Reservados todos los derechos.
BRIGGS & STRATTON es una marca
registradas de Briggs & Stratton Corporation.

Seguridad del operador

CONSERVE ESTAS INSTRUCCIONES

Descripción del equipo

 **ADVERTENCIA** No leer ni seguir las instrucciones del manual del operador y todas las instrucciones de funcionamiento antes de usar la unidad podría ocasionar la muerte o lesiones graves.

- Lea este manual cuidadosamente y familiarícese con la hidrolavadora eléctrica. Conozca sus aplicaciones, sus limitaciones y los peligros involucrados.

Esta lavadora a presión eléctrica funciona a una 138 BAR (2000 PSI) y un caudal de hasta 4,5 liters/min (1,2 GPM).

Se ha realizado el máximo esfuerzo para reunir en este manual la información más precisa y actualizada. No obstante, nos reservamos el derecho de modificar, alterar o mejorar de cualquier otra forma el producto y este documento en cualquier momento y sin previo aviso. Este dispositivo ISM cumple con la norma canadiense ICES-001.

Protección mediante el interruptor de circuito por fallos con conexión a tierra

Esta hidrolavadora está cuenta con un interruptor de circuito por fallos con conexión a tierra (GFCI, ground-fault circuit-interrupter) montado en el enchufe del cable de alimentación. Este dispositivo proporciona una protección adicional contra el riesgo de descarga eléctrica. En caso de que sea necesario reemplazar el enchufe o el cable, utilice solamente piezas de repuesto idénticas que incluyan la protección de GFCI.

Apagado automático

La hidrolavadora eléctrica está equipada con un sensor que detecta que el flujo de agua se ha detenido al liberar o bloquear el gatillo de la pistola de pulverización. El sensor hará que el motor se apague durante el tiempo que el gatillo de la pistola de pulverización esté liberado.

Si el motor sigue funcionando cuando el gatillo de la pistola de pulverización está liberado, **NO UTILICE LA MÁQUINA**. Llame a la línea directa para hidrolavadoras eléctricas al **(800) 743-4115** para obtener ayuda.

AVISO La hidrolavadora eléctrica está equipada con un interruptor principal de encendido/apagado. El interruptor siempre debe moverse a la posición de apagado (0) cuando la hidrolavadora eléctrica no se está usando para evitar posibles daños.

Sobrecarga del motor

El motor eléctrico de esta hidrolavadora eléctrica está equipado con un dispositivo de protección de sobrecarga (termostato). Este dispositivo apagará automáticamente el motor si este se sobrecalienta o en caso de exceso de corriente.

Si se activa el dispositivo de protección de sobrecarga, desconecte la fuente de alimentación moviendo el interruptor principal de encendido/apagado a la posición de apagado (0). Deje que la unidad se enfríe durante 30 minutos. A continuación, mueva el interruptor principal de encendido/apagado a la posición de encendido (I) para reanudar el funcionamiento.

Información importante de seguridad

Lea y comprenda todo el manual antes del montaje, la operación o el mantenimiento del producto. Siga las instrucciones de mantenimiento especificadas en este manual. Si tiene alguna pregunta relacionada con el producto, llame a Atención al Cliente al **(800)-743-4115**, de lunes a viernes, de 8 a. m. a 5 p. m., CST.

Símbolos de seguridad y significados



Lea el manual



Descarga eléctrica



Fuego



Superficie resbaladiza



Caídas



Inyección de fluidos




Proyectil





Objetos voladores




Quemadura química

 El símbolo de alerta de seguridad indica un posible riesgo para su integridad física. Se utiliza una palabra de señalización (PELIGRO, ADVERTENCIA o PRECAUCIÓN) junto con el símbolo de alerta para designar un grado o nivel de gravedad de riesgo. Se puede utilizar un símbolo de seguridad para representar el tipo de riesgo. **AVISO** indica una información considerada importante, pero no relacionada con un peligro potencial.

 **PELIGRO** indica un peligro que, si no se evita, *ocasionará* la muerte o lesiones graves.

 **ADVERTENCIA** indica un peligro que, si no se evita, *podría* ocasionar la muerte o lesiones graves.

 **PRECAUCIÓN** indica un peligro que, si no se evita, *podría* ocasionar lesiones menores o moderadas.

AVISO indica una información considerada importante, pero no relacionada con un peligro potencial.

⚠ ADVERTENCIA Riesgo de electrocución. El uso de un cable de prolongación podría ocasionar descarga eléctrica o quemaduras que pueden provocar lesiones graves o la muerte.

- NO use un cable de prolongación con esta hidrolavadora eléctrica. Es posible que el cable de prolongación o el enchufe del circuito eléctrico de su casa no proporcione la protección del interruptor de circuito por fallos con conexión a tierra que resguarda la vida de las personas.

⚠ ADVERTENCIA Riesgo de electrocución. Poner en contacto al mismo tiempo ambos conductores de energía podría provocar una descarga eléctrica o incendio que causen muertes o lesiones graves.

- Conectarla solo a un toma corriente con una buena descarga a tierra. NO quite el terminal de tierra del enchufe.
- Compruebe que el cable esté en buenas condiciones antes de usar la unidad. NO la utilice si el cable está dañado.
- El producto cuenta con un interruptor del circuito de fallo a tierra (GFCI) que se encuentra en el cable del enchufe. Si es necesario reemplazar el enchufe o el cable, reemplácelos exclusivamente por piezas de repuesto idénticas.
- Mantenga todas las conexiones secas y lejos del suelo.
- NO toque el enchufe con las manos mojadas.
- NO pase el cable por entradas, ventanas, orificios en los techos, paredes o pisos.
- NO pise el cable.
- NO aplaste, arrastre o coloque objetos sobre el cable.
- NO moje el área cercana a la fuente de energía.

⚠ ADVERTENCIA El uso de la hidrolavadora eléctrica podría formar charcos y generar superficies resbaladizas.

⚠ ADVERTENCIA Riesgo de contragolpe. La pistola de pulverización podría causar un contragolpe, con riesgo de caída que podría provocar la muerte o lesiones graves.

- Opere la hidrolavadora eléctrica desde una superficie estable.
- No se estire ni se pare sobre un apoyo inestable. Mantenga una postura firme y un buen equilibrio en todo momento.
- La zona de limpieza debe tener inclinaciones adecuadas y sistema de drenaje para reducir la posibilidad de caída debido a superficies resbaladizas.
- Sea extremadamente cuidadoso si debe usar la hidrolavadora eléctrica desde una escalera, un andamio u otro lugar similar.
- Sujete firmemente la pistola de pulverización con ambas manos al utilizar modos de pulverización eléctrica para evitar lesiones en caso de contragolpe de la pistola.


⚠ ADVERTENCIA Riesgo de lesiones oculares o corporales. La pulverización podría salpicar, propulsar objetos o causar daños internos, lo que puede provocar lesiones graves.

- Siempre use gafas de seguridad con ventilación indirecta (salpicaduras de productos químicos) identificadas en cumplimiento de la norma ANSI Z87.1 cuando utilice este equipo o esté cerca de él. NUNCA sustituya las gafas de seguridad con ventilación indirecta con gafas de seguridad o gafas de condición seca.
- Sepa cómo detener la hidrolavadora y descargar la presión rápidamente. Familiarícese completamente con los controles.
- NO permita que ningún NIÑO opere la hidrolavadora eléctrica.
- Mantenga el área de operación libre de personas.
- Inspeccione la manguera de alta presión antes de cada uso. NUNCA repare la manguera de alta presión; reemplácela.
- NO repare las conexiones con fugas con sellador de ningún tipo; reemplace las juntas tóricas y juntas.
- Mantenga la manguera conectada a la hidrolavadora eléctrica y a la pistola de pulverización cuando el sistema esté presurizado.
- SIEMPRE apunte con la pistola de pulverización hacia una dirección segura mientras el sistema esté presurizado y apriete el gatillo de la pistola para liberar la alta presión, cada vez que apague la hidrolavadora.
- NO apunte la pistola de pulverización hacia personas o animales.
- NO beba de los accesorios conectados a la manguera.
- NO fije la pistola de pulverización en la posición abierta.
- NO deje la pistola de pulverización desatendida cuando la hidrolavadora eléctrica está en la posición de encendido (I).
- NO utilice una pistola de pulverización que no tenga un bloqueo o seguro de gatillo instalado y en buenas condiciones.
- Asegúrese siempre de que la pistola de pulverización y los accesorios estén conectados correctamente.
- Manténgase alerta, observe lo que está haciendo.
- NO haga funcionar el producto si está cansado o bajo la influencia de alcohol o drogas.
- Se requiere supervisión minuciosa cuando este producto se utiliza cerca de niños.


⚠ ADVERTENCIA El chorro de agua a alta presión que este equipo produce podría atravesar la piel y los tejidos subcutáneos, y provocar lesiones graves y posible amputación.

La pistola de pulverización acumula agua a alta presión, incluso con el motor detenido y el agua desconectada, lo que puede provocar lesiones graves.



- NUNCA apunte la pistola de pulverización hacia personas, animales o plantas.
- SIEMPRE apunte con la pistola de pulverización hacia una dirección segura y apriete el gatillo de la pistola para liberar la alta presión, cada vez que apague la hidrolavadora.

 **ADVERTENCIA** Riesgo de incendio. Pulverizar líquidos inflamables podría causar la muerte o lesiones graves.

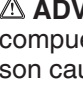
- NO pulverice líquidos inflamables.

 **ADVERTENCIA** Riesgo de incendio. Un cable sobrecalentado podría provocar la muerte o lesiones graves.

- Desenrolle el cable completamente antes de su uso.
- NO cubra el cable con ningún material.

  **ADVERTENCIA** Peligro de quemaduras químicas. Los productos químicos podrían ocasionar quemaduras que podrían provocar la muerte o lesiones graves.

- Siempre use gafas de seguridad con ventilación indirecta (salpicaduras de productos químicos) identificadas en cumplimiento de la norma ANSI Z87.1 cuando utilice ese tipo de productos.
- NO sustituya las gafas de seguridad con ventilación indirecta con gafas de seguridad o gafas de condición seca.
- NO use líquido cáustico con la hidrolavadora eléctrica.
- Utilice **SOLAMENTE** detergentes o jabones de uso seguro en hidrolavadoras. Siga todas las instrucciones del fabricante.

 **ADVERTENCIA** Este producto contiene plomo y compuestos de plomo que, según Estado de California, son causantes de cáncer, defectos de nacimiento u otros daños del aparato reproductor. *Lávese las manos después de manipular este producto.*

AVISO La pulverización a alta presión podría dañar objetos frágiles, incluido el vidrio.

- NUNCA apunte la pistola hacia plantas.

AVISO Deberá proteger su unidad de las temperaturas de congelación.

- Si no lo hace, dañará permanentemente la bomba y la unidad no podrá funcionar.
- Los daños producidos por congelación no están cubiertos por la garantía.

AVISO Un tratamiento inadecuado de la hidrolavadora eléctrica podría dañarla y acortar su vida útil.

- En caso de dudas sobre su uso previsto, diríjase al distribuidor o comuníquese con un centro de servicio autorizado.
- NO opere unidades con piezas rotas o faltantes, o sin sus carcasas o cubiertas de protección.
- NO eluda ningún dispositivo de seguridad en la hidrolavadora eléctrica.
- NO modifique la hidrolavadora eléctrica de ninguna manera.
- NO mueva la hidrolavadora eléctrica tirando de las mangueras. Mueva la unidad utilizando la manija de transporte suministrada.
- Utilice **SOLO** accesorios de marca destinados para su uso con este producto.

Montaje

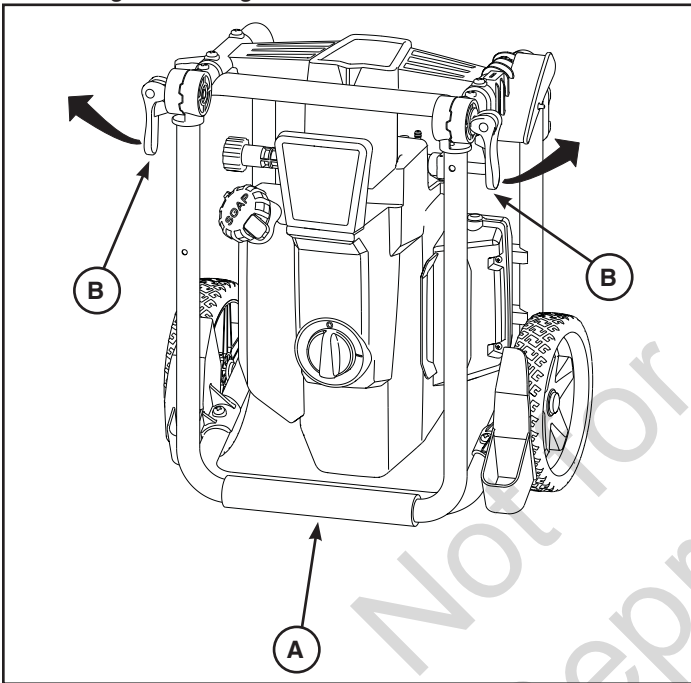


Lea todo el manual del operador antes de montar o utilizar su nueva hidrolavadora eléctrica.

Su hidrolavadora eléctrica requiere cierto montaje, pero está rápidamente lista para su uso. Si tiene algún problema con el montaje de su hidrolavadora eléctrica, llame a la línea directa para hidrolavadoras eléctricas al **(800) 743-4115**. Si necesita ayuda, tenga a mano el modelo, la revisión y el número de serie que figuran en la etiqueta de identificación.

Desembale la hidrolavadora eléctrica

1. Extraiga todos los elementos de la caja de cartón.
2. Levante la manija **(A)** a la posición vertical mirando hacia arriba del pestillo **(B)** en cada lado de la manija. Empuje los pestillos hacia abajo para asegurar el mango en su lugar.



AVISO Esta lavadora eléctrica de alta presión está equipada con un manija plegable. El manija puede ser plegado abajo para el almacenamiento. Consulte la sección *Procedimientos de almacenamiento finales*.

3. Asegúrese de que tiene todos los elementos incluidos antes del montaje.

Elementos incluidos en la caja de cartón

- Unidad principal
- Manual del operador
- Pistola de pulverización
- Manguera de alta presión
- Punta de rociado turbo
- Varilla de rociado
- Puntas de rociado de conexión rápida (3)

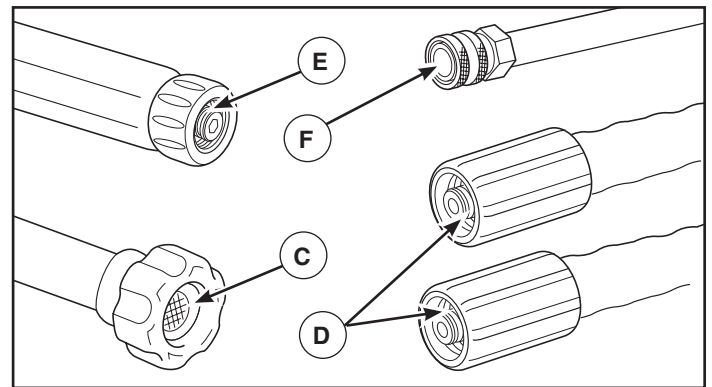
Compruebe todos los artículos. Si falta alguna pieza o está dañada, llame a la línea directa para hidrolavadoras eléctricas al **(800) 743-4115**.

Familiarícese con cada componente antes de montar la hidrolavadora eléctrica. Identifique los contenidos con la ilustración que se muestra en la sección *Características y controles*.

Lubrique las juntas tóricas

La lubricación de las juntas tóricas es extremadamente importante para la instalación y el funcionamiento. El uso de un lubricante (grasa a base de petróleo o sintética) durante el montaje ayuda a que las juntas tóricas se asienten correctamente y proporciona un mejor sellado. También ayuda a proteger la junta tórica contra daños por abrasión, torsión o cortes y extiende su vida útil.

AVISO SIEMPRE aplique una pequeña cantidad de lubricante en las juntas tóricas antes de montar la manguera de jardín a la bomba **(C)**, manguera a alta presión **(D)**, la pistola rociadora **(E)**, y el prolongador de la boquilla **(F)**.



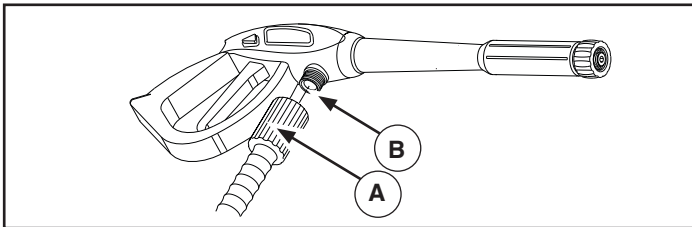
Lubrique todas las conexiones que se muestran a continuación, según estas instrucciones:

1. Inspeccione y limpie las superficies de conexión antes de la lubricación y el montaje.
2. Utilice lubricantes con moderación durante el montaje; solo se requiere una capa ligera.
3. Utilice un cepillo pequeño o hisopo de algodón para aplicar la grasa directamente en las juntas tóricas cuando no pueda acceder a ellas (adaptador QC, adaptador M22).

Conecte la manguera y el suministro de agua a la bomba

AVISO NO haga funcionar la bomba si no tiene el suministro conectado y abierto.

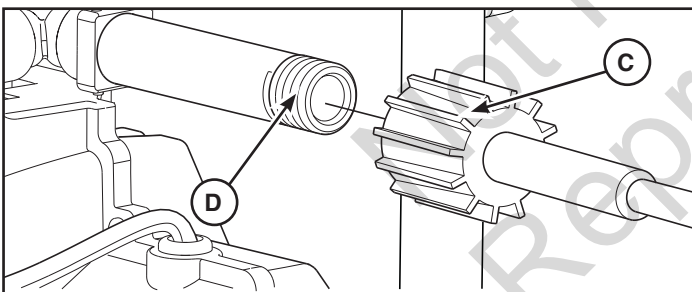
- El daño a la limpiadora a presión, resultado de la desatención a esta precaución, no será cubierto por la garantía.
1. Desenrolle la manguera de alta presión y conecte el extremo negro la manguera de alta presión (B) a la base de la pistola rociadora (A). Apriete con la mano.



⚠ ADVERTENCIA El chorro de agua a alta presión que este equipo produce podría atravesar la piel y los tejidos subcutáneos, que podrían provocar lesiones graves y la posible amputación de un miembro.

- NUNCA conecte la manguera de alta presión al prolongador de la boquilla.
- Mantenga conectada la manguera a la máquina o a la pistola de rociado cuando el sistema esté presurizado.
- Asegúrese en todo momento de conectar correctamente la pistola rociadora, las boquillas y los accesorios.

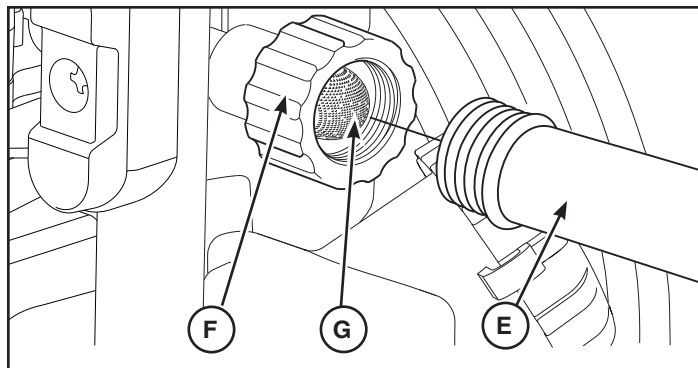
2. Conecte el extremo rojo de la manguera de alta presión (C) a la salida de alta presión (D) de la bomba. Apriete a mano.



3. Haga correr el agua a través de la manguera de su jardín por 30 segundos para limpiar cualquier escombros que se encuentre en ella. Corte el agua.

AVISO Hace no agua de parar de siphon para el abastecimiento de agua. Use agua SOLO fría (menos que 38°C (100°F)).

4. Antes de que conecte la manguera de jardín (E) a la entrada de agua (F), inspeccione el colador de la entrada (G). Limpie el colador si tiene residuos o solicite su remplazo si está dañado. NO haga funcionar la máquina limpiadora a presión si el colador de la entrada está dañado.



AVISO El uso de una válvula unidireccional (igualador de presión o válvula de retención) en la entrada de la bomba podría producir daños en la bomba o en el conector de entrada.

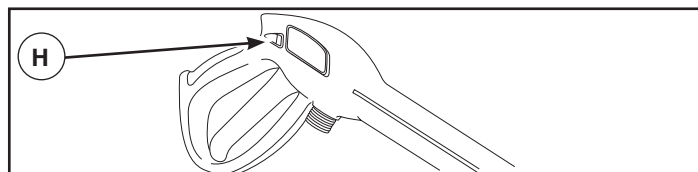
- DEBE haber un mínimo de 3 metros (10 pies) de manguera de riego libre entre la entrada de la limpiadora a presión y cualquier dispositivo, como un igualador de presión o una válvula de retención.
 - El daño a la limpiadora a presión, resultado de la desatención a esta precaución, no será cubierto por la garantía.
5. Conecte la manguera de jardín (E) (no exceder 15 m (50 pies) en la longitud) a la entrada del agua (F). Apriete con la mano.

⚠ ADVERTENCIA Riesgo de lesiones oculares.

⚠ El agua rociada podría salpicar o propulsar objetos, lo que puede provocar lesiones graves.

- Cuando utilice este equipo o esté cerca de él, siempre use gafas de seguridad con ventilación indirecta (contra salpicaduras de productos químicos) marcadas para cumplir con ANSI Z87.1.
- NUNCA se ponga gafas de seguridad ni gafas para entornos secos como sustituto de las gafas de seguridad con ventilación indirecta.

6. Abra el grifo, pulse el botón rojo (H) de la pistola rociadora y apriete el gatillo para eliminar el aire y las impurezas del sistema de bombeo.



Lista de verificación previa al arranque del motor de la bomba

Revise el montaje de la unidad para asegurarse de que haya realizado todas las siguientes acciones.

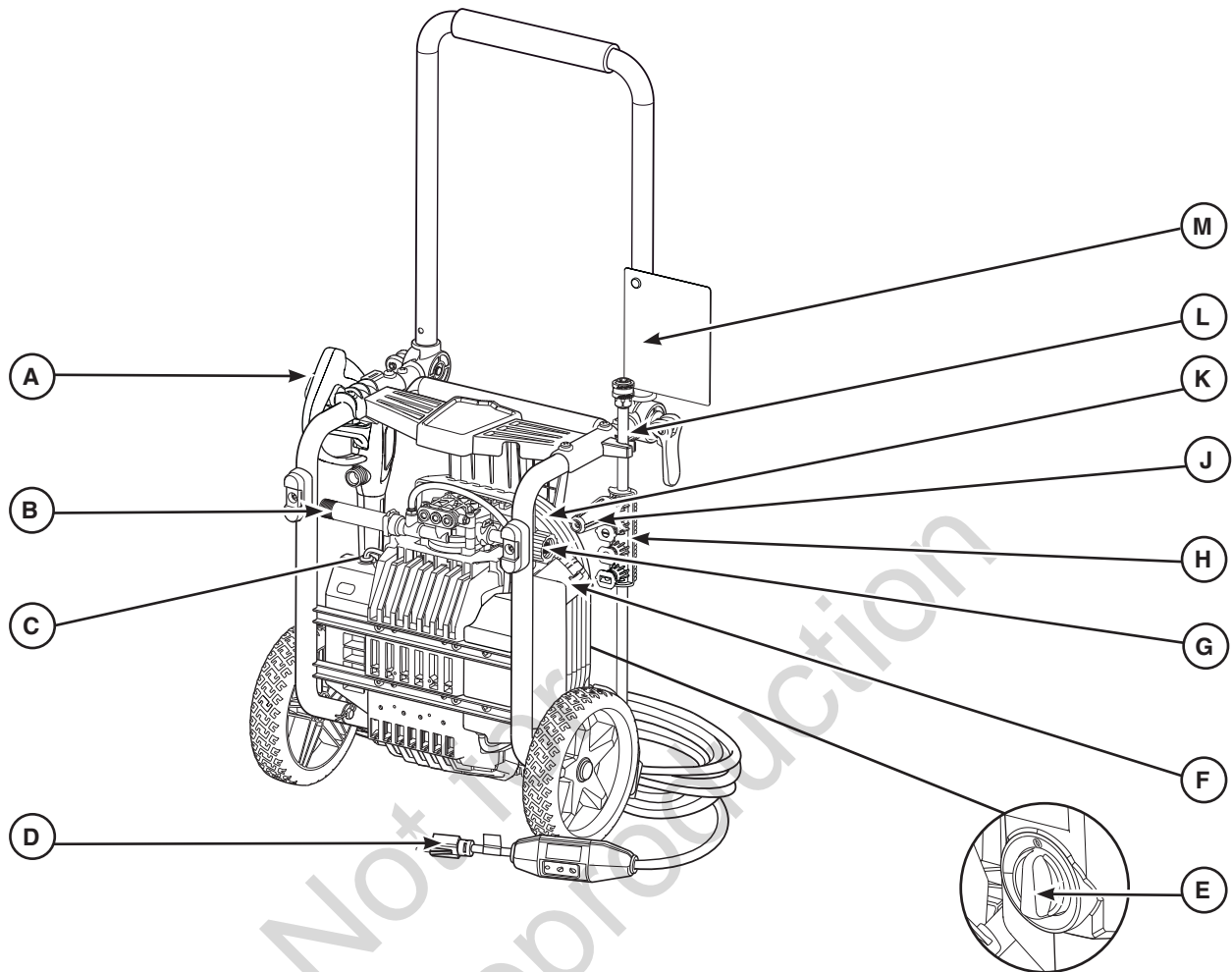
1. Asegúrese de leer *Seguridad del usuario* y *Funcionamiento* antes de usar la hidrolavadora eléctrica.
2. Compruebe que las conexiones de manguera estén correctamente apretadas.
3. Asegúrese de que las mangueras no tengan nudos, cortes ni daños.
4. Coloque un suministro de agua adecuado con el flujo correcto.
5. Enchufe el cable de alimentación eléctrica a un circuito eléctrico dedicado para 120 V CA a 15 A que haya sido instalado conforme a todos los códigos y normativas locales. Compruebe que el circuito no se use para ningún otro suministro eléctrico.

Características y controles



Lea este Manual del operador y las reglas de seguridad antes de operar la hidrolavadora eléctrica.

Compare las ilustraciones con su hidrolavadora eléctrica para familiarizarse con las ubicaciones de los diversos controles y ajustes. Guarde este manual original para futuras consultas.



A - Pistola de pulverización — controla la aplicación de agua sobre la superficie de limpieza con el gatillo. Incluye bloqueo del gatillo.

B - Toma de alta presión — conexión para la manguera de alta presión.

C - Etiqueta de identificación — proporciona el modelo y número de serie de la hidrolavadora. Si llama para solicitar ayuda, tenga estos datos a mano.

D - Cable eléctrico con GFCI — la hidrolavadora eléctrica y el operador están protegidos por un interruptor de circuito por fallos con conexión a tierra (GFCI).

E - Interruptor principal de encendido/apagado — presione la parte superior del interruptor a (I) para encender la hidrolavadora. Presione la parte inferior del interruptor a (O) para apagar la hidrolavadora.

F - Depósito de detergente — se utiliza para almacenar hasta 1.2 l (40 onzas) líquidas de detergente para hidrolavadoras.

G - Entrada de suministro de agua — conecte al suministro de agua a una manguera de jardín de un máximo de 15,24 m (50 pies) de largo.

H - Puntas de rociado — Detergente, 15°, y 25° para diversas aplicaciones de limpieza de alta presión.

J - Punta de rociado turbo — Hace girar un poderoso chorro de agua de precisión para una limpieza profunda.

K - Manguera de alta presión — Conecte un rojo extremo a la salida de agua a alta presión y el extremo negro la manguera de alta presión a la pistola pulverizadora.

L - Varilla de rociado — Le permite cambiar entre puntas de rociado distintos.

M - Etiqueta de advertencia — identifica los riesgos que deben evitarse al usar la hidrolavadora.

Operación

Cómo arrancar su hidrolavadora eléctrica

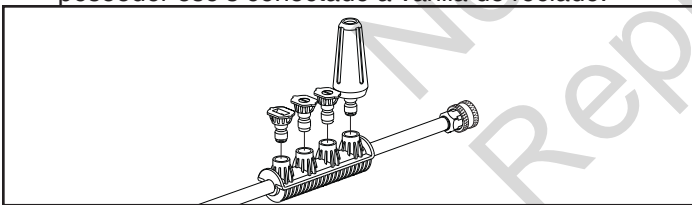
Siga las instrucciones a continuación en el orden que se presentan. Si tiene algún problema con la operación de su hidrolavadora eléctrica, llame a la línea directa para hidrolavadoras eléctricas al **(800) 743-4115**.

⚠ ADVERTENCIA Riesgo de lesiones oculares. La pulverización podría salpicar o propulsar objetos, lo que puede provocar lesiones graves. Siempre use gafas de seguridad con ventilación indirecta (salpicaduras de productos químicos) identificadas en cumplimiento de la norma ANSI Z87.1 cuando utilice este equipo o esté cerca de él. **NUNCA** sustituya las gafas de seguridad con ventilación indirecta con gafas de seguridad o gafas de condición seca.

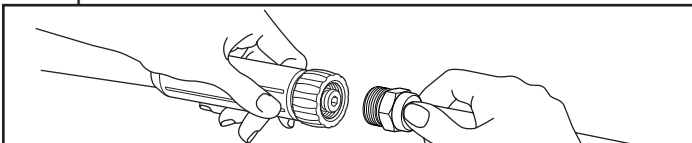
1. Coloque la hidrolavadora eléctrica cerca de una fuente de agua exterior capaz de abastecer agua a un caudal mayor de 3,0 galones por minuto (11,4 l) y 20 psi (1,3 bar) en el extremo de la hidrolavadora eléctrica de la manguera de jardín. **NO** desvíe el agua de alimentación.
2. Revise que la manguera de alta presión se encuentre conectada firmemente a la pistola de rociado y a la bomba. *Vea Montaje.*
3. Conecte la manguera de jardín a la entrada del agua. Apriétela con la mano.

AVISO **NO** haga funcionar la bomba si no tiene el suministro conectado y abierto.

- El daño a la limpiadora a presión, resultado de la desatención a esta precaución, no será cubierto por la garantía.
4. Abra el grifo, pulse el botón rojo de la pistola rociadora y apriete el gatillo para eliminar el aire y las impurezas del sistema de bombeo.
 5. Coloque punta de rociado turbo y el coloró puntas de rociado de conexión rápida en las ranuras en el poseedor eso's conectado a varilla de rociado.



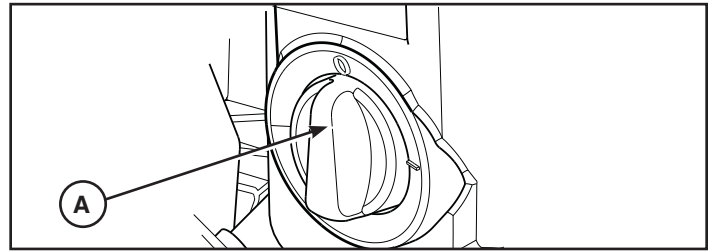
6. Conecte la varilla de rociado a la pistola rociadora. Apriétela con las manos.



7. Elija la puntas de rociado que desee utilizar, tire hacia atrás del anillo de la extensión de punta, inserte la puntas de rociado y suelte el anillo. Tire de la puntas de rociado para comprobar que está bien montada. *Vea Como Usar las Puntas de Rocío.*

AVISO El hidrolavadora eléctrica a presión se puede utilizar en posiciones verticales u horizontales.

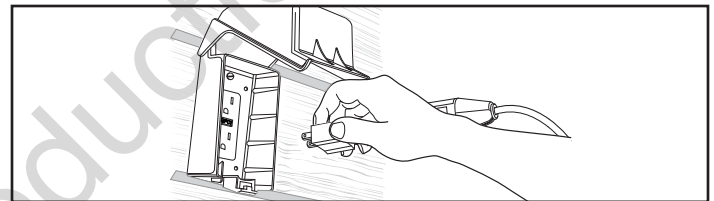
8. Gire el interruptor principal de encendido/apagado (A) en la posición de apagado (0).



⚠ ADVERTENCIA Riesgo de electrocución. El uso de un cable de prolongación podría ocasionar descarga eléctrica o quemaduras que pueden provocar lesiones graves o la muerte.

- **NO** use un cable de prolongación con esta hidrolavadora eléctrica. Es posible que el cable de prolongación o el enchufe del circuito eléctrico de su casa no proporcione la protección del interruptor de circuito por fallos con conexión a tierra que resguarda la vida de las personas.

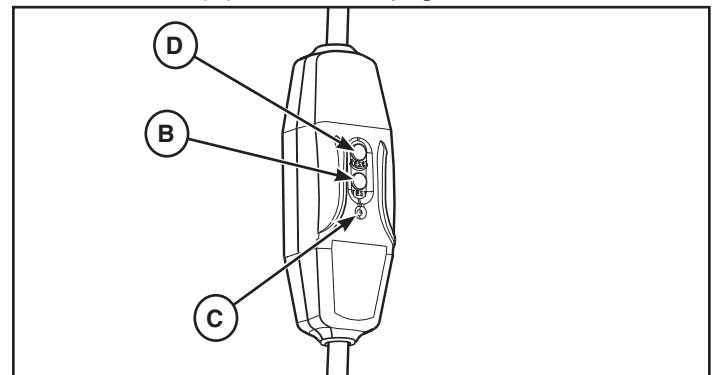
9. Conecte el cable de alimentación eléctrica a un circuito eléctrico específico clasificado para 120 voltios de CA a 15 amperios instalado adecuadamente de acuerdo con todos los códigos y las ordenanzas locales. El circuito no debe suministrar electricidad a ninguna otra necesidad eléctrica. La luz indicadora en el GFCI debe estar encendida.



AVISO La luz indicadora debe estar encendida para que la hidrolavadora eléctrica opere.

⚠ ADVERTENCIA Riesgo de electrocución. Un interruptor de circuito por fallos con conexión a tierra (GFCI) que no funcione podría provocar la muerte o lesiones corporales. Si la luz indicadora no queda encendida después de la prueba y el reinicio, no use el GFCI.

10. Presione el botón TEST (PRUEBA) (B). La luz indicadora (C) debe estar apagada.



11. Presione el botón RESET (REINICIO) (D). La luz indicadora (C) debe estar encendida.

AVISO NO utilice la hidrolavadora eléctrica si la prueba anterior falla.

12. Presione el interruptor principal de encendido/apagado a la posición de encendido (I).
13. Apunte la pistola hacia una dirección segura, presione el botón de bloqueo del gatillo y apriete el gatillo.

El motor de la hidrolavadora eléctrica arrancará y se detendrá conforme el gatillo de la pistola de pulverización se oprime y se libera.

La hidrolavadora eléctrica ya está lista para su uso. Las instrucciones para el uso de los accesorios suministrados se ofrecen más adelante en esta sección.

Cómo detener la hidrolavadora eléctrica

El motor de la hidrolavadora eléctrica solo funciona cuando está presionado el gatillo. Para detener la hidrolavadora eléctrica y apagar el motor:

1. Suelte el gatillo de la pistola pulverizadora.
2. Presione el interruptor principal de encendido/apagado y llévelo a la posición de apagado (O).

AVISO Al soltar el gatillo, se apagará el motor, pero no se cortará el suministro de energía a la unidad.

3. Desconecte el suministro de agua.
4. SIEMPRE apunte la pistola pulverizadora hacia una dirección segura y presione su gatillo para liberar la presión acumulada en la unidad.

⚠ ADVERTENCIA El chorro de agua a alta presión que este equipo produce podría atravesar la piel y los tejidos subcutáneos, y provocar lesiones graves y posible amputación.

La pistola de pulverización acumula agua a alta presión, incluso con el motor detenido y el agua desconectada, lo que puede provocar lesiones graves.

- Mantenga la manguera de alta presión conectada a la bomba y a la pistola de pulverización cuando el sistema esté presurizado.
- SIEMPRE apunte con la pistola de pulverización hacia una dirección segura y apriete el gatillo de la pistola para liberar la alta presión, cada vez que apague la hidrolavadora.

5. Desconecte el enchufe de GFCI.

Cómo usar las puntas de rociado

La conexión rápida de la extensión para boquillas le permite usar tres puntas de rocío diferentes. Siempre que esté activado el seguro del gatillo de la pistola rociadora, se pueden cambiar las puntas de rociado con la limpiadora a presión en funcionamiento.

Para cambiar las puntas de rocío:

1. Desplace hacia atrás el anillo del conector rápido y tire de las puntas de rocío. Guarde las puntas de rociado en el soporte en la varilla de rociado.

⚠ ADVERTENCIA El chorro de agua a alta presión que este equipo produce podría atravesar la piel y los tejidos subcutáneos, que podrían provocar lesiones graves y la posible amputación de un miembro.

- NUNCA intercambie puntas de rocío sin haber asegurado el cerrojo de seguridad del gatillo.
- NO tuerza puntas de rocío al rociar.

2. Seleccione la punta de rociado deseada.

- Para la limpieza intensa, use un potente chorro de agua, seleccione la punta de rociado turbo.
- Para un enjuagado general, idóneo para la mayoría de las limpiezas, como revestimientos exteriores, patios de ladrillo, suelos de madera, entradas, aceras, suelos de garaje, etc., seleccione la punta de rociado amarilla de 15°.
- Para una limpieza suave de coches/camiones, barcos, RVs, muebles de jardín, cortacéspedes, etc., seleccione la punta de rociado verde de 25°.
- Para aplicar productos detergentes o limpiadores específicos que ayuden a descomponer la suciedad rebelde en distintas superficies, seleccione la punta de rociado de detergente negra.

3. Desplace hacia atrás el anillo, inserte la nueva punta de rociado y suelte el anillo. Tire de la punta de rociado para comprobar que está bien montada.

Consejos de uso

- Para una limpieza más efectiva, mantenga la boquilla de 20 a 60 cm (8 a 24 pulgadas) de distancia de la superficie de limpieza.
- Si la aproxima demasiado, especialmente con una boquilla de patrón de pulverización de alta presión, podría dañar la superficie de limpieza.
- No coloque la boquilla a menos de 15 cm (6 pulgadas) de distancia cuando esté limpiando neumáticos.

Aplicación del detergente

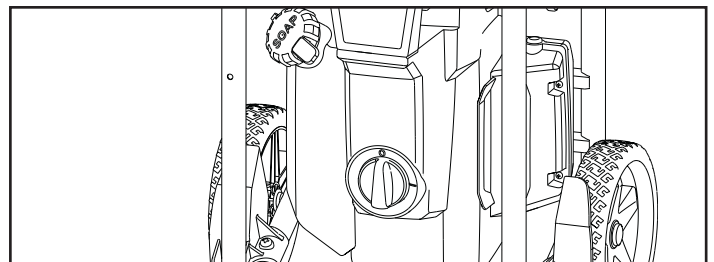
⚠ ADVERTENCIA Peligro de quemaduras químicas.

Los productos químicos podrían ocasionar quemaduras que pueden provocar la muerte o lesiones graves.

- Siempre use gafas de seguridad con ventilación indirecta (salpicaduras de productos químicos) identificadas en cumplimiento de la norma ANSI Z87.1 cuando utilice ese tipo de productos.
- NO sustituya las gafas de seguridad con ventilación indirecta con gafas de seguridad o gafas de condición seca.
- NO use líquido cáustico con la hidrolavadora eléctrica.
- Utilice SOLAMENTE detergentes o jabones de uso seguro en hidrolavadoras. Siga todas las instrucciones del fabricante.

Para aplicar el detergente, siga estos pasos:

1. Revise el uso de las puntas de rociado que se muestra en *Cómo usar la punta de rociado*.
2. Prepare una solución de detergente adecuada para el trabajo que realizará.
3. Retire la tapa del depósito de detergente y llénelo con solución de detergente. Vuelva a colocar la tapa.



4. Instale la punta de rociado con casquillo negro.

AVISO El detergente no se puede aplicar con la punta de rociado turbo, verde o amarillo.

5. Asegúrese de que la manguera para jardín esté conectada a la entrada de agua. Verifique que la manguera a alta presión esté conectada a la pistola pulverizadora y a la bomba. Encienda el agua.
6. Arranque la hidrolavadora eléctrica según las indicaciones de *Cómo arrancar la hidrolavadora eléctrica*.
7. Aplique detergente a una superficie seca. Comience en una parte inferior de la zona que limpiará y vaya subiendo de forma amplia y pareja.
8. Deje que el detergente entre en “remojo” de 3 a 5 min antes de lavar y enjuagar. Vuelva a aplicar, según sea necesario, para evitar que la superficie se seque. Para evitar que queden vetas, **NO DEJE** que el detergente se seque en la superficie.

Enjuague con hidrolavadora eléctrica

1. Seleccione la boquilla de alta presión deseada según las instrucciones de la sección *Cómo usar las boquillas*.
2. Mantenga la pistola de pulverización a una distancia segura del área que planea pulverizar.



ADVERTENCIA Riesgo de contragolpe.

La pistola de pulverización podría causar un contragolpe, con riesgo de caída que podría provocar la muerte o lesiones graves.

- Opere la hidrolavadora eléctrica desde una superficie estable.
- Sea extremadamente cuidadoso si debe usar la hidrolavadora eléctrica desde una escalera, un andamio u otro lugar similar.
- Sujete firmemente la pistola de pulverización con ambas manos al utilizar modos de pulverización eléctrica para evitar lesiones en caso de contragolpe de la pistola.

3. Aplique una pulverización a alta presión en un área pequeña y luego revise si la superficie presenta daños. Si no encuentra ningún daño, puede suponerse que se puede continuar con el enjuague.
4. Comience en la parte superior del área que va a enjuagar y diríjase hacia abajo con los mismos movimientos superpuestos que utilizó para la limpieza.

Otros consejos de limpieza

- **NUNCA** deje la hidrolavadora eléctrica desatendida mientras está enchufada a una toma de corriente y mientras el equipo está conectado al suministro de agua.
- Si tiene la boquilla demasiado lejos de la superficie de limpieza, la limpieza puede no ser tan efectiva.

Cómo almacenar los accesorios

La unidad está equipada con una bandeja de accesorios con lugares para almacenar la manguera de alta presión, la pistola de pulverización, puntas de rociado, las puntas de rociado, la varilla de rociado y el cable de alimentación. Identifique todos los accesorios con las ilustraciones en la sección *Características y controles*.

Mantenimiento

Recomendaciones Generales

Realizar el mantenimiento con frecuencia mejorará el rendimiento y ampliará la vida útil de la hidrolavadora eléctrica.

La garantía en esta hidrolavadora eléctrica no cubre artículos que hayan sido sometidos a abusos o negligencia por parte del operador. Para sacar el máximo provecho de la garantía, el operador debe cumplir con todas las especificaciones aquí indicadas, entre ellas, el almacenamiento correcto de la hidrolavadora eléctrica.

AVISO Si tiene preguntas sobre las piezas de repuesto de la hidrolavadora eléctrica, por favor, llame al **(800) 743-4115** para obtener ayuda.

Antes de cada utilización

1. Limpie los desechos.
2. Verifique que la pantalla de entrada de agua no tenga suciedad y no esté dañada.
3. Verifique que la manguera a alta presión no tenga pérdidas.
4. Verifique el funcionamiento de la pistola pulverizadora.

Mantenimiento de la hidrolavadora eléctrica

Limpieza de desechos

A diario, o antes de usarla, limpie los desechos acumulados en la hidrolavadora eléctrica. Revise las ranuras y las entradas de aire de refrigeración adelante, atrás y abajo de la hidrolavadora eléctrica. Estas aberturas deben estar limpias y sin obstrucciones.

Las piezas de la hidrolavadora eléctrica deben mantenerse limpias para reducir el riesgo de sobrecalentamiento e incendio de desechos acumulados.

- Use un trapo húmedo para limpiar las superficies exteriores.

AVISO Si maneja inadecuadamente la hidrolavadora eléctrica, podría dañarla y acortar su vida útil.

- **NO** inserte objetos a través de las ranuras de enfriamiento.

Revise y limpie el filtro de entrada de agua

Examine el filtro en la entrada de agua de la unidad. Límpielo si está tapado o reemplácelo si está dañado.

Revisión de la manguera a alta presión

La manguera a alta presión puede tener pérdidas a causa del desgaste, los nudos y el mal uso. Siempre revise la manguera antes de usarla. Compruebe que no haya cortes, fugas, abrasiones o bultos en la cubierta, y daños o movimientos de acopladores. Si ocurre algo de lo mencionado anteriormente, reemplace la manguera inmediatamente.

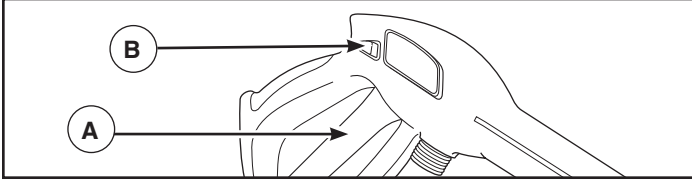


ADVERTENCIA El chorro de agua a alta presión que este equipo produce podría atravesar la piel y los tejidos subcutáneos, y provocar lesiones graves y posible amputación.

- **NUNCA** repare la manguera de alta presión. Reemplácela.
- La capacidad de la manguera de reemplazo **DEBE** ser igual o superior a la presión nominal máxima de la unidad.

Revisión de la pistola pulverizadora

Revise la conexión de la manguera a la pistola pulverizadora y asegúrese de que esté firme. Pruebe el gatillo (A). Para ello, presione el botón de bloqueo del gatillo (B) y asegúrese de que el gatillo vuelva a su posición, como si fuera un resorte, al soltarlo. No debería poder presionar el gatillo sin presionar antes el botón de bloqueo del gatillo. Si estas pruebas fallan, cambie inmediatamente la pistola pulverizadora.



Mantenimiento de la boquilla

La presión excesiva en la bomba puede causar una sensación pulsante al momento de apretar el gatillo de la pistola de pulverización. La causa principal de la presión excesiva en la bomba es una boquilla obstruida o tapada con materiales extraños, tales como tierra, etc. Una boquilla obstruida podría provocar que la bomba alterne entre encendido/apagado o no encienda, incluso cuando hay cierto flujo.

1. Apague el motor y apague el suministro de agua.
2. Apunte SIEMPRE con la pistola rociadora hacia una dirección segura, pulse el botón rojo y apriete el gatillo para descargar el agua a alta presión restante.

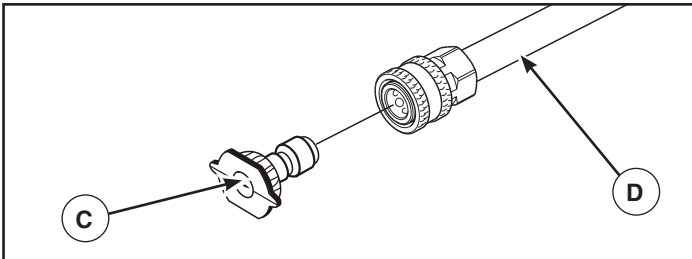


ADVERTENCIA El chorro de agua a alta presión que este equipo produce podría atravesar la piel y los tejidos subcutáneos, y provocar lesiones graves y posible amputación.

La pistola de pulverización acumula agua a alta presión, incluso con el motor detenido y el agua desconectada, lo que puede provocar lesiones graves.

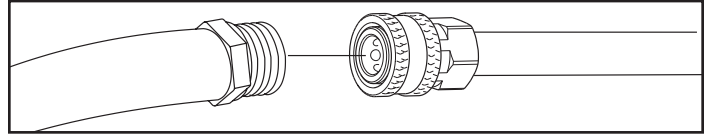
- Mantenga la manguera de alta presión conectada a la bomba y a la pistola de pulverización cuando el sistema esté presurizado.
- SIEMPRE apunte con la pistola de pulverización hacia una dirección segura y apriete el gatillo de la pistola para liberar la alta presión, cada vez que apague la hidrolavadora.

3. Remueva la punta de rocío (C) del extremo de la varilla de rociado (D).



4. Utilice o un clip para papel para eliminar el material extraño que obstruya alguna de las puntas de rociado.

5. Retire varilla de rociado para boquillas de la pistola.
6. Usando una manguera de jardín, remueva cualquier desecho adicional, poniendo agua en la varilla de rociado. Haga ésto de 30 a 60 segundos.



7. Instale de punta de rocío en la varilla de rociado.
8. Conecte de varilla a la pistola rociadora.
9. Asegúrese de que la manguera para jardín esté conectada a la entrada de agua. Verifique que la manguera a alta presión esté conectada a la pistola pulverizadora y a la bomba. Encienda el agua.
10. Enchufe el cable de alimentación en una salida eléctrica, presione el interruptor principal de encendido/apagado y llévelo a la posición de encendido (I).
11. Haga funcionar la hidrolavadora eléctrica con la varilla para probarla.

Mantenimiento de la bomba y el motor

La hidrolavadora eléctrica no requiere ningún tipo de mantenimiento de la bomba o el motor. Ambos elementos están prelubricados y sellados, de modo que no requieren lubricación adicional en ningún momento.

Después de cada uso

No debe quedar agua en la unidad durante largos períodos de tiempo. Los sedimentos o minerales pueden depositarse en partes de la bomba y “congelar” su funcionamiento. Siga estos procedimientos después de cada uso:

1. Para asegurar depósito de no drene durante el almacenamiento, haga funcionar la hidrolavadora eléctrica con una boquilla de pulverización con jabón hasta que el depósito está vacío.
2. Añada 0,5 litros de agua dulce limpia a depósito, haga funcionar la hidrolavadora eléctrica con una boquilla de pulverización con jabón. Enjuague durante uno o dos minutos.
3. Presione el interruptor principal de encendido/apagado a la posición de apagado (0). Retire el enchufe del cable de alimentación de la toma de corriente.
4. Cierre el suministro de agua. Apunte la pistola hacia una dirección segura, oprima el botón de bloqueo del gatillo y apriete el gatillo para aliviar la presión acumulada.
5. Desconecte la manguera de jardín de la entrada de agua. Desconecte la manguera de alta presión de la pistola y de la toma de alta presión.
6. Drene el agua de la manguera y la pistola de pulverización, a continuación, utilice un paño o algo similar para limpiar todas las superficies exteriores.
7. Drene el agua de la bomba inclinando la unidad hacia el lado derecho (entrada de agua en dirección hacia abajo) durante dos minutos. Dé vuelta la unidad y déjela reposar sobre la toma de alta presión durante otros dos minutos.

8. Enrolle la manguera de alta presión y el cable de alimentación en el gancho.
9. Guarde la pistola pulverizadora en el soporte de la pistola pulverizadora. Almacene la varilla de pulverización en el soporte de la varilla de spray. Almacene las puntas de pulverización en el soporte provisto en la varilla de pulverización..
10. Almacene la unidad en un área limpia y seca.
11. Si planea almacenarla durante más de 30 días, consulte la sección *Almacenamiento en invierno o a largo plazo* en la página siguiente.

Almacenamiento en invierno o a largo plazo

Siga los pasos 1-9 en *Después de cada uso*.

AVISO El agua que queda en la bomba podría congelarse y dañar la bomba en forma permanente. Los daños producidos por congelación no están cubiertos por la garantía.

Cómo proteger la bomba

Para proteger la bomba de daños causados por depósitos de minerales o congelación, use PumpSaver, modelo 6039, para tratar la bomba. Esto evita los daños por congelación y lubrica el émbolo y los sellos.

AVISO PumpSaver está disponible como un accesorio opcional. No está incluido con la hidrolavadora eléctrica. Póngase en contacto con el centro de servicio autorizado más cercano para adquirir PumpSaver.

AVISO Debe proteger su unidad de las temperaturas de congelación.

- Si no lo hace, dañará permanentemente la bomba y la unidad no podrá funcionar.
- Los daños producidos por congelación no están cubiertos por la garantía.

Para utilizar PumpSaver, asegúrese de que la hidrolavadora eléctrica esté apagada y las mangueras de entrada y salida están desconectadas. Lea y siga todas las instrucciones y las advertencias que se ofrecen en el envase de PumpSaver.

Procedimientos de almacenamiento finales

1. Enrolle la manguera de alta presión y el cable de alimentación en el gancho.
2. Guarde la pistola pulverizadora en el soporte de la pistola pulverizadora. Almacene la varilla de pulverización en el soporte de la varilla de spray. Almacene las puntas de pulverización en el soporte provisto en la varilla de pulverización.
3. Almacene la unidad en un área limpia y seca que esté protegida de las temperaturas de congelación. El manija puede ser plegado abajo para el almacenamiento. El hidrolavadora eléctrica a presión se puede utilizar en posiciones verticales u horizontales.
4. Cubra la unidad con una funda adecuada que no retenga la humedad.

Solución de problemas

Problema	Causa	Solución
La bomba presenta los siguientes problemas: no produce presión, produce presión errática, traqueteo, pérdida de presión, bajo volumen de agua.	<ol style="list-style-type: none"> 1. La entrada de agua está bloqueada. 2. El suministro de agua es inadecuado. 3. La manguera de jardín presenta estrangulamiento o fugas. 4. El filtro de entrada de agua está obstruido. 5. La temperatura del suministro de agua es superior a 100 °F (38 °C). 6. La manguera de alta presión está bloqueada o presenta fugas. 7. La boquilla está obstruida. 8. La bomba está defectuosa. 	<ol style="list-style-type: none"> 1. Limpie la entrada. 2. Proporcione el flujo de agua adecuado. 3. Estire la manguera de jardín o reemplácela si presenta fugas. 4. Revise y limpie el filtro de entrada de agua. 5. Proporcione un suministro de agua a una temperatura inferior. 6. Retire las obstrucciones de la manguera de alta presión o reemplace la manguera. 7. Limpie la boquilla de pulverización. 8. Póngase en contacto con un centro de servicio autorizado.
La unidad no arranca cuando se aprieta el gatillo de la pistola de pulverización.	<ol style="list-style-type: none"> 1. El suministro de agua no está abierto. 2. La unidad no está encendida. 3. La manguera de jardín es demasiado larga. 4. Se fundió un fusible o se activó el disyuntor. 	<ol style="list-style-type: none"> 1. Abra el suministro de agua. 2. Presione el interruptor principal de encendido/apagado a la posición de encendido (I). Reinicie el GFCI. 3. Use solamente una manguera de jardín de un máximo de 15,24 m (50 pies) de largo. 4. a.) Revise la caja de fusibles para verificar que no haya fusibles fundidos y, si fuera necesario, reemplácelos, o reinicie el disyuntor. No utilice un fusible o disyuntor con una calificación superior a la especificada para su circuito derivado específico. b.) Desconecte otros aparatos eléctricos y apague las luces en el circuito u opere la hidrolavadora en su propio circuito específico.
El detergente no se mezcla con el material pulverizado.	<ol style="list-style-type: none"> 1. Punta de pulverización de alta presión instalada. 2. Presión de alimentación de entrada de agua demasiado alta. 	<ol style="list-style-type: none"> 1. Vuelva con una boquilla negra de detergente. 2. Cierre lentamente la válvula de alimentación de agua hasta que el químico apenas empiece a fluir (aparecerán espuma de jabón cuando químico comienza a dibujar).
Fugas en las conexiones de las mangueras.	<ol style="list-style-type: none"> 1. La manguera de jardín está floja en la entrada de agua. 2. Las conexiones de la manguera de alta presión están flojas. 3. La junta tórica está dañada. 	<ol style="list-style-type: none"> 1. Ajuste a mano la manguera de jardín a la entrada de agua. 2. Retire la manguera por completo y vuelva a instalarla ajustándola a mano. 3. Vuelva a colocar la junta tórica.

Para cualquier otro problema, consulte con un concesionario autorizado de Briggs & Stratton.

NORMAS DE GARANTÍA DE BRIGGS & STRATTON

GARANTÍA LIMITADA

Briggs & Stratton se compromete a que, durante el período de garantía especificado a continuación, reparará o sustituirá, de manera gratuita, cualquier pieza con defectos de material o fabricación, o de ambos. El comprador deberá correr con los gastos de transporte del producto que envíe para reparación o reemplazo al amparo de esta garantía. Esta garantía tiene vigencia y está sujeta a las condiciones que se establecen más adelante. Para servicio de garantía, contacto con Atención al Cliente de Briggs & Stratton llamando al (800) 743-4115 o por Internet en BRIGGSandSTRATTON.COM..

No existe otra garantía expresa. Las garantías implícitas, inclusive aquellas de comerciabilidad y de idoneidad para un propósito en particular, se limitan al período de garantía expresado abajo, o hasta los límites permitidos por la ley. La responsabilidad por daños fortuitos o indirectos está excluida en tanto lo permita la ley. Algunos países o estados no permiten limitar la duración de una garantía implícita ni excluir o limitar los daños secundarios y derivados. Por tanto, es posible que las limitaciones y exclusiones mencionadas no sean aplicables en su caso. Esta garantía le otorga derechos legales específicos, y también podría tener otros que varían según el estado o el país.**

PERÍODO DE GARANTÍA

Uso particular	Uso comercial
12 meses	ninguno

** En Australia, nuestros productos están cubiertos por garantías ineludibles de acuerdo con la legislación sobre consumo de este país. Tiene derecho a un recambio o devolución en caso de avería grave y a una compensación por las posibles pérdidas o daños razonables previsibles. Asimismo, si la avería no es grave, tiene derecho a que se reparen o reemplacen los productos si no tienen una calidad aceptable. Para servicio de garantía, localice al distribuidor de servicio autorizado más cercano con nuestro mapa en BRIGGSandSTRATTON.COM, llame al 1300 274 447, o bien, envíe un correo electrónico a salesenquires@briggsandstratton.com.au, o escriba a Briggs & Stratton Australia Pty Ltd, 1 Moorebank Avenue, NSW, Australia, 2170.

El período de garantía comienza en la fecha de compra del primer consumidor o usuario comercial final. «Uso particular» significa uso doméstico residencial personal por un consumidor minorista. «Uso comercial» significa los demás usos, lo que incluye el uso para propósitos comerciales, generar ingresos o alquiler. Una vez que el producto se haya usado para fines comerciales, de ahí en adelante se considerará uso comercial a efectos de esta garantía.

Guarde el recibo comprobante de compra. Si no se proporciona una prueba de la fecha de compra inicial en el momento de solicitar servicio de garantía, se utilizará la fecha de fabricación del producto para determinar el período de garantía. No es necesario el registro del producto para obtener el servicio de garantía de los productos Briggs & Stratton.

ACERCA DE LA GARANTÍA

La mayor parte de las reparaciones bajo garantía se atienden de manera rutinaria, pero algunas veces las solicitudes de reparaciones bajo garantía podrían no ser apropiadas. Esta garantía SÓLO cubre defectos en materiales y mano de obra. No cubre los daños ocasionados por un uso incorrecto o un mal uso, un mantenimiento o unas reparaciones inadecuadas, el desgaste y la rotura propios del uso, o bien el uso de un combustible en mal estado o no aprobado.

Uso no adecuado y mal uso: el uso correcto y para el que se ha diseñado este equipo se describe en el manual del usuario. Si el producto no se usa de la manera que se describe en el manual del usuario o si el producto se usa después de que haya resultado dañado, quedará anulada la garantía. La garantía queda anulada si se ha borrado el número de serie del producto o el producto ha sido modificado de alguna manera, o si el producto presenta indicios de haber sido usado incorrectamente, por ejemplo, daños producidos por un impacto o daños producidos por corrosión química/agua.

Mantenimiento o reparaciones inadecuadas: el producto debe someterse a labores de mantenimiento de acuerdo con los procedimientos y plazos establecidos en el manual del usuario, y para el mantenimiento y las reparaciones se deben utilizar piezas Briggs & Stratton originales o equivalentes. La garantía no cubre los daños ocasionados por la falta de mantenimiento o el uso de piezas no originales.

Desgaste normal: al igual que otros dispositivos mecánicos, el producto está sujeto a desgaste incluso si se realiza un mantenimiento correcto. Esta garantía no cubrirá la reparación cuando el uso normal haya agotado la vida útil de una pieza o del aparato. Los accesorios y elementos de mantenimiento como filtros, correas, hojas cortantes y pastillas de freno (excepto las pastillas de freno de los motores) no están cubiertos por la garantía por sus propias características, a no ser que la causa sea un defecto del material o de fabricación.

Combustible en mal estado o no aprobado: para que este producto funcione correctamente, se necesita combustible fresco que cumpla los criterios especificados en el manual del usuario. Los daños al motor o al equipo causados por combustible en mal estado o por el uso de combustibles (como, por ejemplo, las mezclas de etanol E15 o E85) no están cubiertos por la garantía.

Otras exclusiones: esta garantía excluye cualquier daño provocado por accidente, uso incorrecto, modificaciones, alteraciones, mantenimiento incorrecto, congelación o deterioro producido por productos químicos. También excluye cualquier complemento o accesorio que no se incluyera en el paquete original del producto. No existe ninguna cobertura de garantía para equipos que se usen para generar energía principal en lugar de energía de uso ni para equipos que se usen en aplicaciones de soporte vital. Esta garantía no incluye equipos o motores usados, reacondicionados, de segunda mano o de demostración. Esta garantía excluye los fallos debidos a hechos fortuitos y a otros acontecimientos de fuerza mayor que escapan al control del fabricante.

80018419_ES Rev A

Español

es



Hidrolavadora eléctrica

Especificaciones del producto

Presión de salida máxima	138 BAR (2,000 PSI)* @ 4,5 liters/min (1,2 GPM)
Caudal máxima	4,5 liters/min (1,2 GPM)* @ 138 BAR (2,000 PSI)
Mezcla de detergente	Ver las instrucciones de MFR
Temperatura del suministro de agua	No debe superar los 100 °F (38 °C)
Motor	De tipo inducción
Rango de voltaje	120 VCA
Corriente	13,0 A

Not for
Reproduction

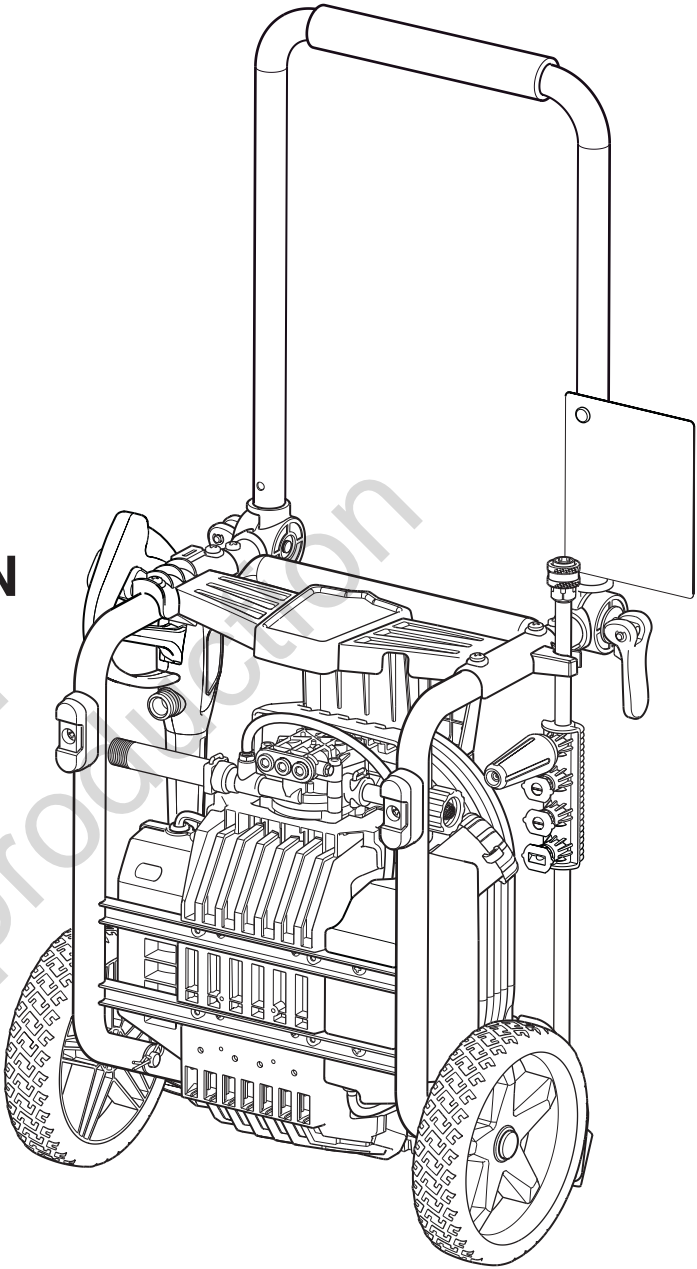
* Esta hidrolavadora está clasificada de acuerdo a la norma PW101-2010 (Pruebas y valoración de rendimiento de hidrolavadoras) de la Asociación de Fabricantes de Hidrolavadoras (PWMA, Pressure Washer Manufacturers Association).

Briggs & Stratton Corporation
P.O. Box 702
Milwaukee, Wisconsin, 53201-0702 EE. UU.



Nettoyeur à haute pression électrique

MANUEL D'UTILISATION



Ce nettoyeur à haute pression est évalué conformément à la norme PW101-2010 (essai et évaluation de la performance des nettoyeurs à haute pression) de l'Association des fabricants de nettoyeurs à haute pression (PWMA)

**BRIGGS & STRATTON CORPORATION
MILWAUKEE, WISCONSIN, ÉTATS-UNIS**

Merci d'avoir acheté ce nettoyeur à haute pression électrique de qualité Briggs & Stratton®. Nous sommes heureux que vous fassiez confiance à la marque Briggs & Stratton. Si vous respectez les instructions d'utilisation et d'entretien de ce manuel, vous serez en mesure de profiter d'un service fiable de votre nettoyeur à haute pression électrique de Briggs & Stratton durant de nombreuses années.

Ce manuel contient des renseignements sur la sécurité pour vous informer des dangers et des risques associés aux nettoyeurs à haute pression électriques ainsi que de la façon de les éviter. Comme Briggs & Stratton ne connaît pas nécessairement tous les contextes dans lesquels ce nettoyeur à haute pression électrique peut être utilisé, il est important de lire et de bien comprendre ces instructions avant de tenter de démarrer ou d'utiliser cet équipement. **Conserver ces instructions d'origine pour vous y reporter dans le futur.**

Ce nettoyeur à haute pression électrique exige un assemblage final avant utilisation. Consultez les directives sur les procédures d'assemblage finales de la section *Assemblage* de ce manuel. Suivre complètement les directives.

Comment nous joindre

Vous n'aurez jamais à chercher bien loin pour trouver un centre de soutien et de service Briggs & Stratton pour votre nettoyeur à haute pression électrique. Consultez les Pages Jaunes. Il y a plus de 30 000 concessionnaires agréés Briggs & Stratton qui fournissent des services de qualité partout dans le monde. Vous pouvez aussi téléphoner au Service à la clientèle de Briggs & Stratton au **1 800 743-4115** ou communiquer avec ce service par Internet à l'adresse BRIGGSandSTRATTON.COM.

Nettoyeur à haute pression électrique

Numéro de modèle _____

Révision _____

Numéro de série _____

Date d'achat _____

Enregistrer votre produit

Pour assurer que la garantie s'applique complètement et dans les meilleurs délais, enregistrer votre produit en ligne au www.onlineproductregistration.com.

Table des matières

Sécurité de l'utilisateur	3
Assemblage	6
Caractéristiques et commandes	8
Utilisation	9
Entretien	12
Entreposage	13
Dépannage	14
Garantie	15
Fiche technique	16

Copyright © 2017. Briggs & Stratton Corporation
Milwaukee, WI, États-Unis. Tous droits réservés.
BRIGGS & STRATTON est une marque
déposée de Briggs & Stratton Corporation.

Sécurité de l'utilisateur

CONSERVEZ CES DIRECTIVES

Description de l'équipement

⚠ AVERTISSEMENT L'omission de lire et de se conformer au manuel de l'utilisateur et à toutes les directives d'utilisation avant d'utiliser le produit peut entraîner la mort ou des blessures graves.

- Lisez ce manuel attentivement et familiarisez-vous avec votre nettoyeur à haute pression électrique. Apprenez ses applications, ses limitations ainsi que tous les risques impliqués.

Cette laveuse à pression électrique fonctionne de 138 bar (2,000 psi) et un débit allant jusqu'à 4,5 l/min (1,2 gallon par minute).

Nous nous sommes efforcés de nous assurer que les informations contenues dans ce manuel sont exactes et actualisées. Toutefois, nous nous réservons le droit de changer, de modifier ou même d'améliorer le produit et ce document à tout moment sans préavis de notre part.

Cet appareil ISM satisfait à la norme canadienne ICES-001.

Protection par un disjoncteur de fuite de terre

Ce nettoyeur à haute pression électrique est pourvu d'un disjoncteur de fuite de terre intégré à la fiche électrique du cordon d'alimentation. Ce dispositif offre une protection additionnelle contre les risques d'électrocution. Si un remplacement de la fiche électrique ou du cordon est requis, n'utilisez rien d'autre que des pièces de rechange identiques, munies d'un disjoncteur de fuite de terre.

Arrêt automatique

Le nettoyeur à haute pression électrique est muni d'un capteur qui détecte l'arrêt du jet d'eau lorsque la détente du pistolet de pulvérisation est relâchée ou verrouillée. Le capteur provoque l'arrêt du moteur du moment que la détente du pistolet de pulvérisation est relâchée.

Si le moteur continue de tourner lorsque la détente du pistolet de pulvérisation est relâchée N'UTILISEZ PAS LA MACHINE. Veuillez téléphoner au service de dépannage du nettoyeur à haute pression au **1 800 743-4115** pour obtenir de l'aide.

AVIS Le nettoyeur à haute pression électrique est pourvu d'un interrupteur de mise en marche (ON/OFF). Afin de prévenir tout dommage, l'interrupteur devrait toujours être placé dans la position OFF (0) lorsque le nettoyeur à haute pression électrique n'est pas utilisé.

Surcharge du moteur

Le moteur électrique de ce nettoyeur à haute pression électrique est muni d'un dispositif de protection contre la surcharge (thermostat). Ce dispositif arrête automatiquement le moteur s'il surchauffe ou prélève une intensité de courant excessive.

Si le dispositif de protection contre la surcharge se déclenche, coupez l'alimentation en plaçant l'interrupteur d'alimentation principal ON/OFF à la position OFF (0). Laissez l'appareil refroidir durant 30 minutes. Puis, placez l'interrupteur d'alimentation principal ON/OFF à la position ON (I) pour reprendre l'opération.

Informations importantes liées à la sécurité

Veillez lire et vous assurer de comprendre le manuel en entier avant de tenter d'assembler, d'utiliser ou de faire l'entretien de l'appareil. Veillez suivre les directives d'entretien indiquées dans ce manuel. Si vous avez des questions au sujet de l'appareil, veuillez appeler le Service à la clientèle au **1 800 743-4115**, de 8 h à 17 h (HNC), du lundi au vendredi.



Lire le manuel



Décharge électrique



Incendie



Surface glissante



Chute



Injection de liquide



Projectile



Objets volants



Brûlure chimique

Renseignements et symboles de sécurité

⚠ Le symbole d'alerte de sécurité indique un risque de blessure corporelle possible. Un mot-indicateur (DANGER, AVERTISSEMENT ou MISE EN GARDE) est utilisé avec le symbole d'alerte pour indiquer la probabilité ou la gravité du danger. Un symbole de danger peut être utilisé pour représenter le type de danger. AVIS indique des informations considérées importantes, mais non liées aux dangers.

⚠ **DANGER** indique un danger qui, si non évité, *provoquera* la mort ou des blessures graves.

⚠ **AVERTISSEMENT** indique un danger qui, si non évité, *pourrait* provoquer la mort ou des blessures graves.

⚠ **ATTENTION** indique un danger qui, si non évité, *pourrait* causer une blessure mineure ou modérée.

AVIS indique des informations considérées importantes, mais non liées aux dangers.

⚠ AVERTISSEMENT Risque d'électrocution.



L'utilisation d'une rallonge peut causer une décharge électrique et des brûlures pouvant entraîner la mort ou des blessures graves.

- N'utilisez PAS de rallonge avec ce nettoyeur à haute pression électrique. Les prises du circuit électrique de votre maison ou une rallonge peuvent ne pas fournir une protection de coupure de circuit par une mise à la terre qui peut sauver la vie.

⚠ AVERTISSEMENT Risque d'électrocution.



Le contact avec les deux conducteurs d'alimentation simultanément peut provoquer un choc électrique entraînant des blessures sévères voire la mort.

- Branchez uniquement dans une prise ayant une mise à la terre adéquate. Ne retirez PAS la broche de la mise à la terre de la fiche.
- Inspectez le cordon d'alimentation avant chaque utilisation, NE l'utilisez PAS si celui-ci est endommagé.
- Ce produit est muni d'un interrupteur de fuite à la terre intégré dans la fiche du cordon d'alimentation. Si le remplacement de la fiche ou du cordon est nécessaire, veuillez utiliser des pièces de rechange identiques.
- Gardez tous les branchements secs et hors du sol.
- NE touchez PAS la fiche avec les mains mouillées.
- N'acheminez PAS le cordon d'alimentation par les portes, les fenêtres, les trous dans les plafonds, les murs ou les planchers.
- NE marchez PAS sur le cordon d'alimentation.
- NE conduisez pas, ne placez pas et ne tirez pas des objets sur le cordon d'alimentation.
- NE vaporisez PAS près d'une source d'alimentation.

⚠ AVERTISSEMENT L'utilisation du nettoyeur à haute pression électrique peut laisser des flaques d'eau et rendre les surfaces glissantes.



Risque d'effet de recul. Le pistolet de pulvérisation peut créer un effet de recul susceptible de vous faire tomber et d'entraîner des blessures graves ou la mort.

- Utilisez le nettoyeur à haute pression électrique à partir d'une surface stable.
- Ne vous étirez pas et ne vous tenez pas debout sur une surface instable. Gardez les pieds solidement appuyés et en équilibre en tout temps.
- La surface de nettoyage devrait comporter une pente et un drain adéquats pour diminuer les risques de chute provoqués par des surfaces glissantes.
- Soyez très prudent si vous devez utiliser le nettoyeur à haute pression électrique lorsque vous êtes dans une échelle, un échafaudage ou un autre emplacement similaire.
- Lorsque vous utilisez un jet à haute pression, saisissez fermement le pistolet de pulvérisation avec les deux mains afin d'éviter les risques de blessures entraînées par les effets de recul.

⚠ AVERTISSEMENT Risque de lésion oculaire ou corporelle. Le jet peut rejaillir sur vous,



propulser des objets ou causer des blessures internes entraînant des

blessures graves.

- Portez toujours des lunettes de protection avec aération indirecte (éclaboussures de produits chimiques) conformes à la norme ANSI Z87.1 lorsque vous utilisez ou que vous êtes à proximité de cet équipement. Ne remplacez JAMAIS les lunettes de protection avec aération indirecte par des lunettes de protection ordinaires ou pour condition sèche.
- Apprenez à arrêter le nettoyeur à haute pression et à libérer la pression rapidement. Maîtrisez bien les commandes.
- NE laissez PAS les ENFANTS utiliser le nettoyeur à haute pression électrique.
- Assurez-vous qu'il n'y a pas d'autre personne présente dans la zone de travail.
- Inspectez le boyau à haute pression avant chaque utilisation. NE réparez JAMAIS le boyau à haute pression; remplacez-le.
- NE réparez PAS les raccords non étanches à l'aide de scellant; remplacez les joints toriques et joints d'étanchéité.
- Gardez toujours le boyau raccordé au nettoyeur à haute pression électrique lorsque le système est sous pression.
- Chaque fois que vous éteignez le nettoyeur à haute pression électrique, dirigez TOUJOURS le pistolet vers un endroit sécuritaire lorsque le système est sous pression et appuyez sur la détente du pistolet de pulvérisation pour en libérer la haute pression.
- NE dirigez PAS le pistolet vers des personnes ou des animaux.
- NE buvez PAS à même les accessoires reliés au boyau.
- NE bloquez PAS le pistolet de pulvérisation dans la position ouverte.
- NE laissez PAS le pistolet de pulvérisation sans surveillance lorsque le nettoyeur à haute pression électrique est en position de marche (I).
- N'utilisez PAS un pistolet de pulvérisation qui n'est pas muni d'un verrou de la détente ou d'un pontet installé et en ordre de marche.
- Assurez-vous toujours que le pistolet de pulvérisation et les accessoires sont bien fixés.
- Soyez vigilant, regardez toujours ce que vous faites.
- NE faites PAS fonctionner l'appareil lorsque vous êtes fatigué ou sous l'influence de l'alcool ou de médicaments.
- Une supervision étroite est requise lorsque ce produit est utilisé près des enfants.

⚠ AVERTISSEMENT Le jet d'eau à haute pression produit par cet appareil pourrait couper la peau et ses tissus sous-jacents, entraînant de graves lésions et pouvant conduire à une amputation.

Le pistolet de pulvérisation emprisonne une pression d'eau élevée, même lorsque le moteur est arrêté et que l'arrivée d'eau est débranchée, ce qui peut entraîner des blessures graves.

- NE dirigez JAMAIS le pistolet de pulvérisation en direction des gens, des animaux ou des plantes.
- Dirigez TOUJOURS le pistolet de pulvérisation dans une direction sécuritaire, serrez la gâchette du pistolet de pulvérisation pour relâcher la haute pression à chaque fois que vous arrêtez le nettoyeur à haute pression.

⚠ AVERTISSEMENT Risque d'incendie. La vaporisation de liquides inflammables peut provoquer des blessures graves, voire la mort.

- NE vaporisez PAS de liquides inflammables.

⚠ AVERTISSEMENT Risque d'incendie. La surchauffe du cordon peut provoquer des blessures graves, voire la mort.

- Déroulez le cordon en entier avant l'utilisation.
- Ne recouvrez PAS le cordon avec un matériel quelconque.

⚠ AVERTISSEMENT Danger de brûlures chimiques.

Les produits chimiques peuvent causer des brûlures risquant d'entraîner la mort ou des blessures graves.

- Portez toujours des lunettes de protection avec aération indirecte (éclaboussures de produits chimiques) conformes à la norme ANSI Z87.1 lorsque vous utilisez des produits chimiques.
- N'utilisez PAS de lunettes de sécurité ou de lunettes de sécurité pour condition sèche au lieu de lunettes de sécurité à aération indirecte.
- N'utilisez PAS de solution caustique avec le nettoyeur à haute pression électrique.
- N'UTILISEZ QUE des détergents/savons qui ne risquent pas d'endommager le nettoyeur à haute pression. Suivez toutes les directives des fabricants.

⚠ AVERTISSEMENT Ce produit contient du plomb et des composés de plomb reconnus par l'État de la Californie pour causer des malformations congénitales ou d'autres problèmes de reproduction. *Veillez vous laver les mains après avoir manipulé cet appareil.*

AVIS Le jet à haute pression risque d'endommager les articles fragiles, notamment le verre.

- NE dirigez JAMAIS le pistolet vers des plantes.

AVIS Vous devez protéger votre appareil contre le gel.

- Omettre de le protéger endommagera de façon permanente votre pompe et rendra votre appareil inopérant.
- Les dommages causés par le gel ne sont pas couverts par la garantie.

AVIS Le traitement inadéquat du nettoyeur à haute pression peut l'endommager et réduire sa durée de vie.

- Si vous avez des questions sur l'usage prévu, demandez à votre concessionnaire ou prenez contact avec le service de réparation agréé.
- N'opérez PAS un appareil dont les pièces sont brisées ou manquantes, ni sans les protections ou les revêtements.
- NE contournez PAS un dispositif de sécurité sur le nettoyeur à haute pression électrique.
- N'altérez PAS d'aucune façon le nettoyeur à haute pression.
- Avant de démarrer le nettoyeur à haute pression électrique par temps froid, vérifiez toutes les pièces d'équipement afin de vous assurer qu'aucune glace ne s'est formée.
- NE déplacez PAS le nettoyeur à haute pression électrique en tirant sur les tuyaux. Déplacez l'appareil en utilisant la poignée de transport fournie.
- Utilisez UNIQUEMENT les accessoires de marque conçus pour une utilisation avec ce produit.

Assemblage

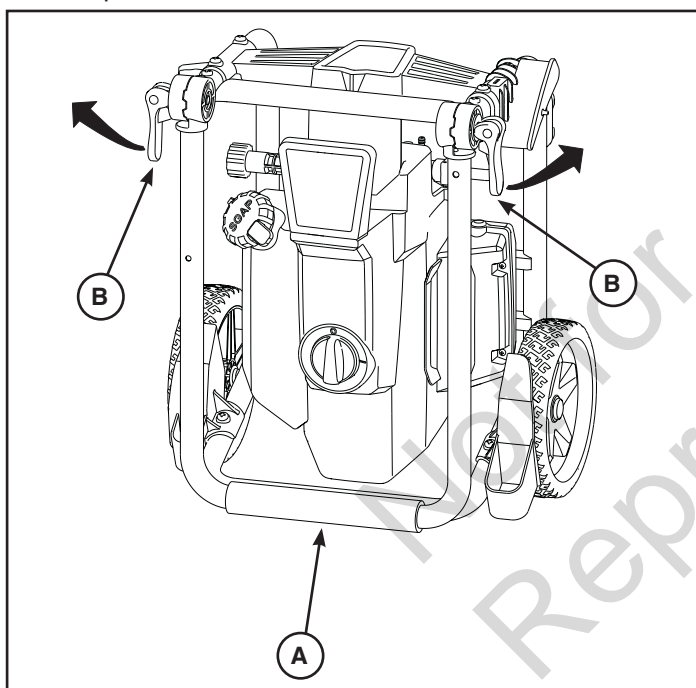


Lisez le manuel de l'opérateur en entier avant de tenter d'assembler ou d'utiliser votre nouveau nettoyeur à haute pression électrique.

Votre nettoyeur à haute pression électrique exige un peu d'assemblage, mais il sera rapidement prêt à être utilisé. Si vous avez des problèmes avec l'assemblage de votre nettoyeur à haute pression électrique, veuillez appeler la ligne d'assistance du nettoyeur à haute pression électrique en composant le **1 800 743-4115**. Si vous appelez pour obtenir de l'aide, veuillez avoir sous la main les numéros de modèle, de révision et de série indiqués sur l'étiquette d'identification.

Déballage du nettoyeur à haute pression électrique

1. Enlevez tous les composants de la boîte d'expédition.
2. Soulever la poignée (A) vers la position verticale en tirant le loquet (B) sur chaque côté de la poignée. Pousser les loquets vers le bas pour fixer la poignée en place.



AVIS Le nettoyeur à haute pression électrique est équipé d'une poignée pliable. La poignée peut être rabattue pour le rangement. Voir *Procédures finales d'entreposage*.

3. Assurez-vous d'avoir tous les articles inclus avant de commencer l'assemblage.

Contenu de la boîte:

- Corps de l'appareil
- Manuel d'utilisation
- Pistolet de pulvérisation
- Boyau à haute pression
- Lance de pulvérisation
- Embouts de pulvérisation à raccord rapide (3)
- Buse Turbo

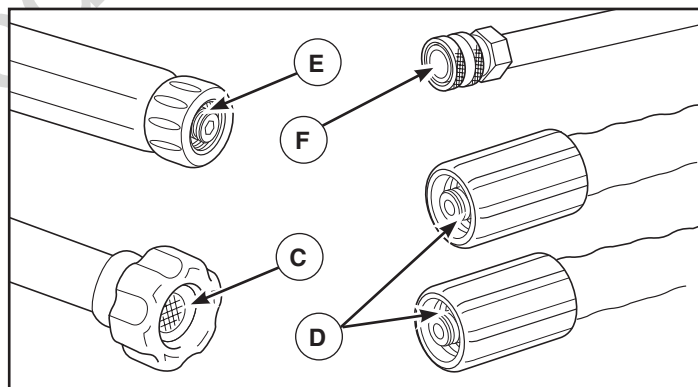
Vérifiez le contenu. Si une pièce est manquante ou endommagée, NE l'utilisez PAS, téléphonez plutôt au service de dépannage du nettoyeur à haute pression au **1 800 743-4115**.

Familiarisez-vous avec chaque élément avant d'assembler le nettoyeur à haute pression électrique. Identifiez les pièces et les accessoires à partir de l'illustration montrée dans la rubrique *Fonctions et commandes*.

Lubrification des joints toriques

La lubrification des joints toriques est extrêmement importante pour l'installation et le fonctionnement. L'utilisation d'un produit lubrifiant (graisse de pétrole ou graisse synthétique) pendant le montage aide les joints toriques à s'emboîter correctement et fournit une meilleure étanchéité. Elle permet aussi de protéger les joints toriques contre les dommages provoqués par l'abrasion, le pincement ou la coupure, et prolonge leur durée de vie.

AVIS TOUJOURS appliquer une petite quantité de produit lubrifiant sur les joints toriques avant de monter le tuyau d'arrosage sur la pompe (C), le tuyau pour haute pression (D), le pistolet de pulvérisation (E) et la lance de pulvérisation (F).



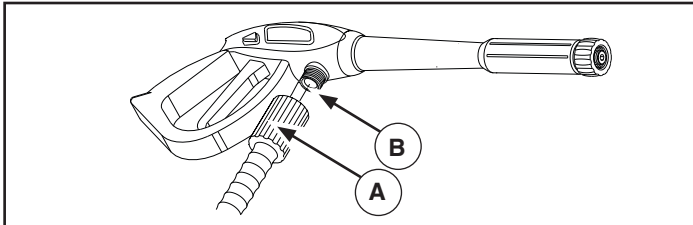
Lubrifiez tous les raccords indiqués ci-dessous en suivant ces directives:

1. Inspectez et nettoyez les surfaces de connexion avant la lubrification et l'assemblage.
2. Utilisez les lubrifiants en petite quantité pendant l'assemblage; une couche légère suffit.
3. Utilisez une petite brosse ou un coton-tige pour appliquer de la graisse directement sur les joints toriques s'ils ne sont pas accessibles (raccord QC, raccord M22).

Branchez le tuyau et l'alimentation en eau à la pompe

AVIS NE faites PAS fonctionner la pompe sans avoir connecté et ouvert l'alimentation en eau.

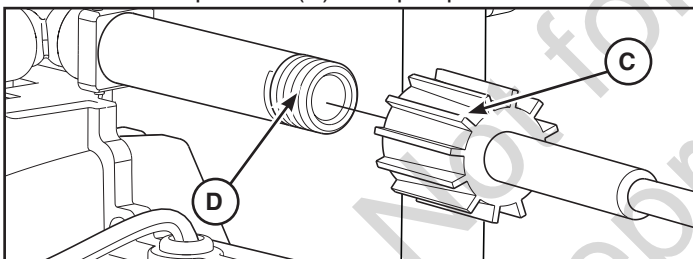
- La garantie sera annulée si l'appareil est endommagé faute de suivre cette directive.
1. Déroulez le boyau à haute pression (A) et fixez le bout noir du boyau à la base du pistolet de pulvérisation (B). Serrez à la main.



AVERTISSEMENT Le jet d'eau haute pression produit par cet appareil pourrait couper la peau et ses tissus sous-jacents, entraînant de graves lésions et pouvant conduire à une amputation.

- Ne raccordez JAMAIS le boyau à haute pression à une lance de pulvérisation.
- Gardez le boyau à haute pression raccordé à la pompe et au pistolet de pulvérisation lorsque le système est sous pression.
- Assurez-vous toujours que le pistolet de pulvérisation, les embouts et les accessoires sont bien fixés.

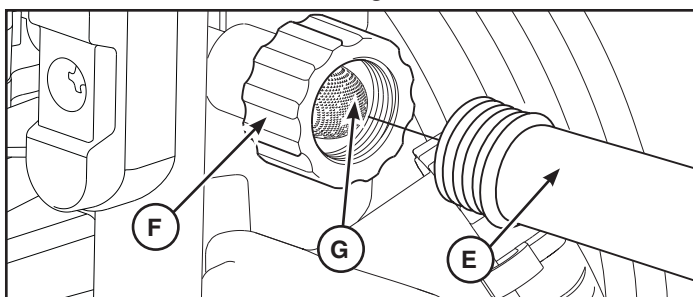
2. Fixez l'extrémité rouge du boyau à haute pression (C) à la sortie haute pression (D) de la pompe. Serrez à la main.



3. Faites circuler de l'eau dans le tuyau d'arrosage pendant 30 secondes pour en déloger tous débris.

AVISNE siphonnez PAS d'eau stagnante pour assurer l'alimentation en eau. Utilisez UNIQUEMENT de l'eau froide (moins de 38 °C/100 °F).

4. Avant de raccorder le tuyau d'arrosage (E) à l'entrée d'eau (F), examinez la crépine d'admission (G). Nettoyez la crépine si elle contient des débris ou remplacez-la si elle est endommagée. NE mettez PAS le nettoyeur à haute pression en marche si la crépine d'admission est endommagée.



AVIS L'utilisation d'un clapet anti-retour (reniflard ou soupape de retenue) à la prise de la pompe peut endommager la pompe ou le raccord d'admission d'eau.

- Il DOIT y avoir une longueur d'au moins trois mètres (10 pi) de tuyau d'arrosage libre entre l'entrée du nettoyeur à haute pression et tout dispositif, tel qu'un reniflard ou une soupape de retenue.
 - La garantie sera annulée si l'appareil est endommagé faute de suivre cette directive.
5. Raccordez le tuyau d'arrosage (E) (longueur maximale de 15 m/50 pi) à l'entrée d'eau (F). Serrez à la main.

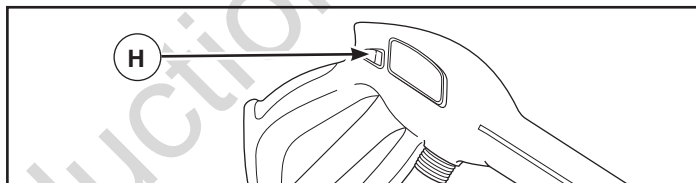
AVERTISSEMENT Risque de lésion oculaire.



Le jet d'eau peut rejaillir ou propulser des objets en entraînant de graves lésions.

- Portez toujours des lunettes de protection avec aération indirecte (éclaboussures de produits chimiques) conformes à la norme ANSI Z87.1 lorsque vous utilisez ou que vous êtes à proximité de cet équipement.
- Ne remplacez JAMAIS les lunettes de protection avec aération indirecte par des lunettes de protection ordinaires ou pour condition sèche.

6. Ouvrez l'eau, appuyez sur le bouton rouge (H) du pistolet puis sur la gâchette pour purger la pompe de l'air et des impuretés qui s'y trouvent.



Liste de vérification avant de démarrer le moteur de la pompe

Réviser l'assemblage de l'appareil pour vous assurer que vous avez effectué toutes les étapes suivantes.

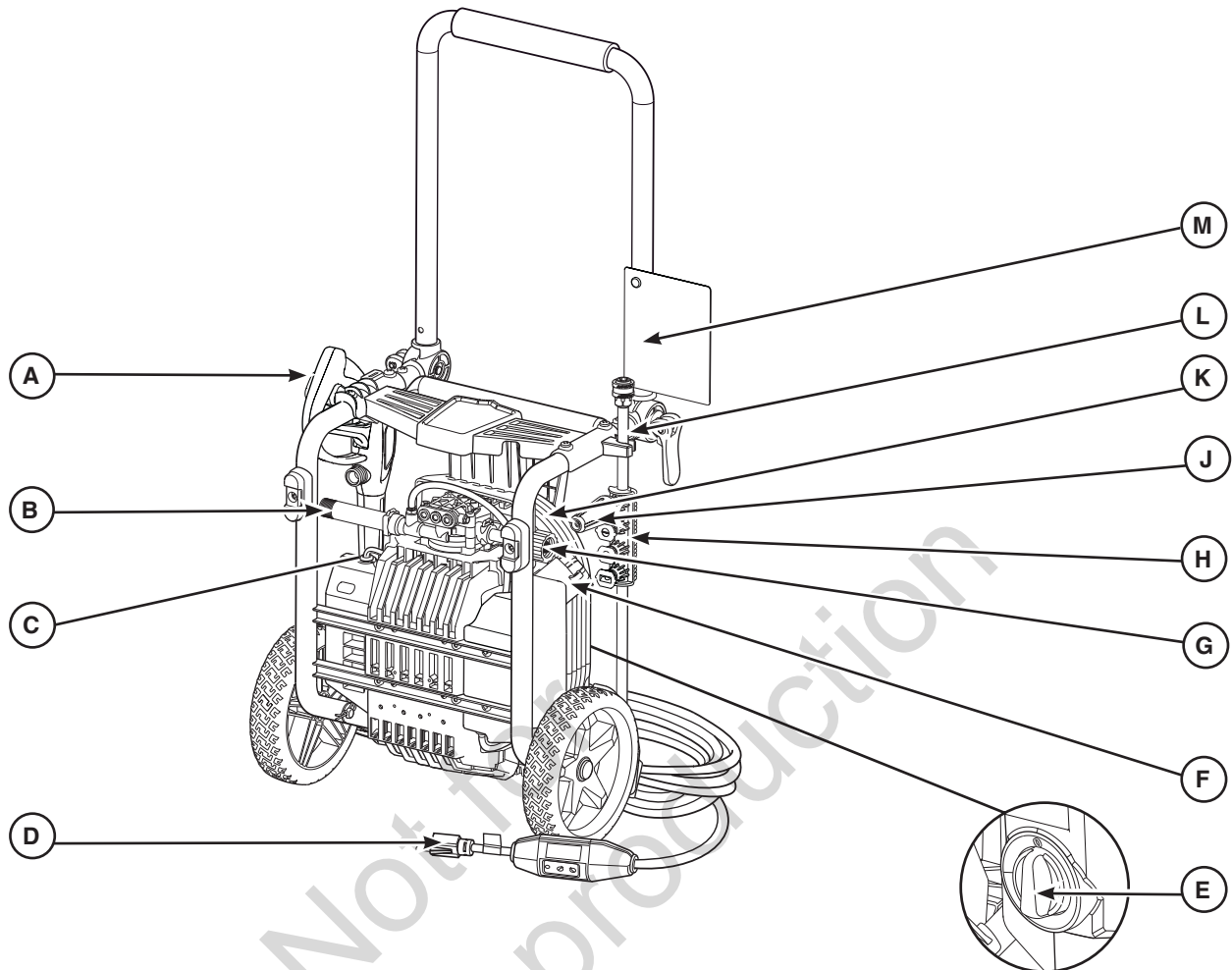
1. Assurez-vous de lire les sections *Sécurité de l'utilisateur* et *Utilisation* avant d'utiliser le nettoyeur à haute pression.
2. Vérifiez que les raccords de tuyau sont bien serrés.
3. Assurez-vous que les boyaux ne sont pas entortillés, coupés ou endommagés.
4. Fournissez une bonne alimentation d'eau à un débit adéquat.
5. Branchez le cordon d'alimentation électrique à un circuit électrique distinct pouvant supporter des charges de 120 volts CA à 15 ampères installé conformément aux règlements et aux ordonnances de sécurité locaux. Assurez-vous que le circuit ne fournit aucun autre appareil en électricité.

Caractéristiques et commandes



Lisez ce manuel d'utilisation et les règles de sécurité avant d'utiliser votre nettoyeur à haute pression électrique.

Comparez les illustrations à votre nettoyeur à haute pression électrique pour vous familiariser avec l'emplacement des diverses commandes et réglages. Conservez ce manuel à des fins de consultation ultérieure.



A - Pistolet de pulvérisation — Un dispositif à gâchette qui permet de contrôler le jet d'eau sur la surface à nettoyer. Inclus le verrou de la gâchette.

B - Sortie haute pression — Raccord de boyau à haute pression.

C - Étiquette d'identification — Indique les numéros de modèle et de série du nettoyeur à pression. Veuillez avoir ces renseignements sous la main lorsque vous appelez pour demander de l'aide.

D - Cordon électrique avec disjoncteur de fuite de terre — Le nettoyeur à haute pression électrique ainsi que l'opérateur sont protégés par un disjoncteur de fuite à la terre (GFCI).

E - Interrupteur principal à bascule de marche/arrêt — Tourner l'interrupteur en position ON (I) pour démarrer la laveuse à pression. Tourner l'interrupteur en position OFF (O) pour arrêter la laveuse à pression.

F - Réservoir à détergent — Peut contenir jusqu'à 1,2 l (40 oz) liquides de détergent sécuritaire pour le nettoyeur à haute pression.

G - Admission d'eau — Branchez à l'alimentation en eau à l'aide d'un boyau d'arrosage d'une longueur max. de 15,24 m (50 pi).

H - Embouts de pulvérisation — Détergent, 15°, y 25° pour diverses applications de nettoyage à haute pression

J - Buse turbo — Fournit un jet d'eau précis et puissant pour un nettoyage intensif.

K - Boyau à haute pression — Raccordez l'extrémité rouge du boyau à l'alimentation en eau et la noire au pistolet de pulvérisation.

L - Lance de pulvérisation — Vous permet d'interchanger les embouts de pulvérisation.

M - Étiquette d'avertissement — Identifie les risques à éviter lors de l'utilisation de votre nettoyeur à haute pression.

Utilisation

Comment démarrer votre nettoyeur à haute pression électrique

Suivez les directives ci-dessous dans l'ordre indiqué. Si vous rencontrez des problèmes lors de l'utilisation de votre nettoyeur à haute pression électrique, veuillez appeler le service d'assistance des nettoyeurs à haute pression électriques au **1 800 743-4115**.

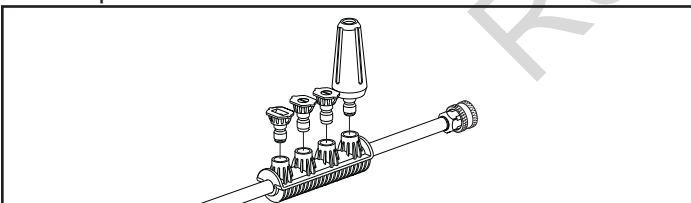
AVERTISSEMENT Risque de lésion oculaire. Le jet d'eau peut rejaillir ou propulser des objets en entraînant de graves lésions.

- Portez toujours des lunettes de protection avec aération indirecte (éclaboussures de produits chimiques) conformes à la norme ANSI Z87.1 lorsque vous utilisez ou que vous êtes à proximité de cet équipement.
- Ne remplacez JAMAIS les lunettes de protection avec aération indirecte par des lunettes de protection ordinaires ou pour condition sèche.

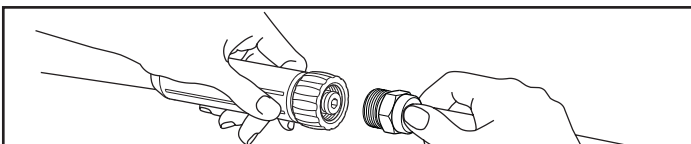
1. Placez le nettoyeur à haute pression près d'une source d'eau extérieure pouvant fournir un débit supérieur à 11,4 litres (3,0 gallons) par minute et d'au moins 20 psi (1,38 bar) à l'extrémité du tuyau d'arrosage raccordée au nettoyeur à haute pression. NE siphonnez PAS l'eau d'alimentation.
2. Vérifiez que le boyau à haute pression est raccordé fermement au pistolet de pulvérisation et à la pompe. Consultez la section *Assemblage*.
3. Raccordez le tuyau d'arrosage à l'entrée d'eau de la pompe du nettoyeur à haute pression.

AVIS NE faites PAS fonctionner la pompe sans avoir connecté et ouvert l'alimentation en eau.

- La garantie sera annulée si l'appareil est endommagé faute de suivre cette directive.
4. Ouvrez l'eau, dirigez le pistolet vers un endroit sécuritaire, appuyez sur le bouton rouge puis sur la gâchette pour purger la pompe de l'air et des impuretés qui s'y trouvent.
 5. Placer le turbo de connexion rapide et les embouts de pulvérisation colorés sur le support attaché à la lance de pulvérisation



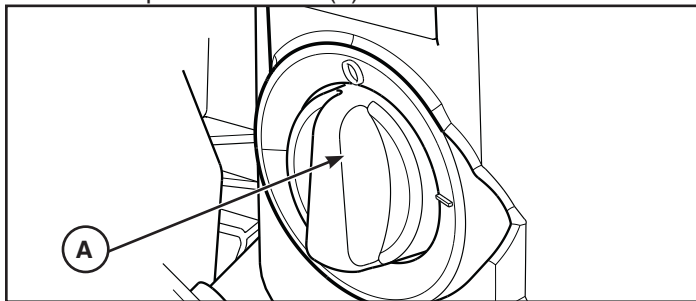
6. Fixez la lance de pulvérisation au pistolet de pulvérisation. Serrez à la main.



7. Choisissez la buse de pulvérisation que vous souhaitez utiliser, tirez sur le col de la lance de pulvérisation, insérez la buse de pulvérisation et relâchez le col. Tirez sur l'embout de pulvérisation pour vous assurer qu'il est bien en place.

AVIS L'appareil peut fonctionner en position verticale ou horizontale.

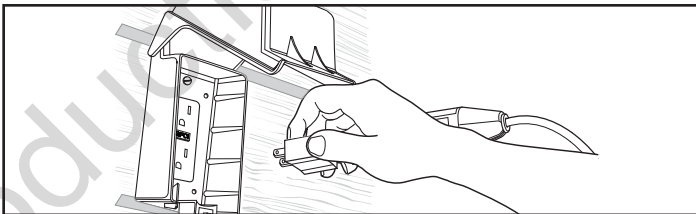
8. Tournez sur l'interrupteur principal de marche/arrêt (A) vers la position d'arrêt (0).



AVERTISSEMENT Risque d'électrocution. L'utilisation d'une rallonge peut causer une décharge électrique et des brûlures pouvant entraîner la mort ou des blessures graves.

- N'utilisez PAS de rallonge avec ce nettoyeur à haute pression électrique. Les prises du circuit électrique de votre maison ou une rallonge peuvent ne pas fournir une protection de coupure de circuit par une mise à la terre qui peut sauver la vie.

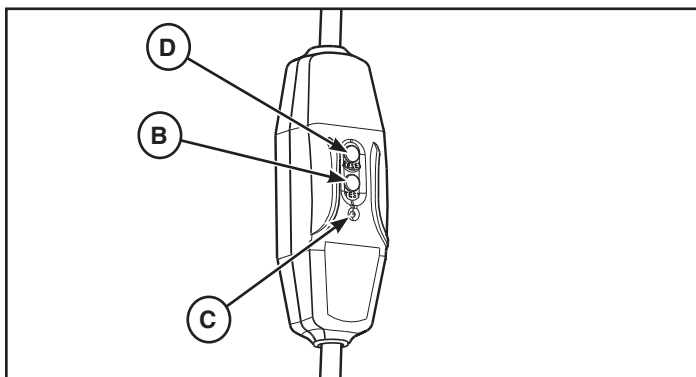
9. Branchez le cordon d'alimentation électrique à un circuit électrique dédié pouvant supporter des charges de 120 volts CA à 15 ampères installé conformément à tous les règlements et ordonnances de sécurité locaux. Le circuit ne doit fournir en électricité aucun autre appareil ou dispositif. Le voyant du disjoncteur de fuite de terre devrait être allumé.



AVIS Le voyant doit être allumé pour faire fonctionner le nettoyeur à haute pression électrique.

AVERTISSEMENT Risque d'électrocution. Un disjoncteur de fuite de terre non fonctionnel peut provoquer des blessures corporelles ou la mort. Si le voyant ne demeure pas allumé après le test et la réinitialisation, n'utilisez pas le disjoncteur de fuite de terre.

10. Appuyez sur le bouton « TEST » (B). Le voyant (C) devrait être éteint (OFF).



11. Appuyez sur le bouton « RESET » (D). Le voyant (C) devrait être allumé (ON).

AVIS N'utilisez PAS le nettoyeur à haute pression électrique si le test ci-dessus échoue.

12. Placez l'interrupteur principal de marche/arrêt du nettoyeur à haute pression à la position de marche (I).
13. Dirigez le pistolet vers un endroit sécuritaire, appuyez sur le verrou de la détente puis sur la détente.

Le moteur du nettoyeur à haute pression électrique démarre et s'arrête lorsque la détente du pistolet de pulvérisation est enfoncée et relâchée.

Le nettoyeur à haute pression électrique est maintenant prêt à être utilisé. Les directives d'utilisation des accessoires fournis sont données plus loin dans cette section.


Comment arrêter votre nettoyeur à haute pression électrique

Le moteur du nettoyeur à haute pression électrique fonctionne seulement lorsqu'on presse la détente. Pour arrêter le nettoyeur à haute pression et éteindre le moteur :

1. Relâchez la détente du pistolet de pulvérisation.
2. Poussez l'interrupteur principal de marche/arrêt vers la position d'arrêt (0).

AVIS Le fait de relâcher la détente arrête automatiquement le moteur, mais cela ne coupe pas l'alimentation électrique de l'appareil.

3. Fermez l'alimentation en eau.
4. Dirigez TOUJOURS le pistolet de pulvérisation vers un endroit sécuritaire, appuyez sur le verrou de détente puis sur la détente pour libérer la haute pression de l'appareil.

 **AVERTISSEMENT** Le jet d'eau à haute pression produit par cet appareil pourrait couper la peau et ses tissus sous-jacents, entraînant de graves lésions et pouvant conduire à une amputation.

Le pistolet de pulvérisation emprisonne une pression d'eau élevée, même lorsque le moteur est arrêté et que l'arrivée d'eau est débranchée, ce qui peut entraîner des blessures graves.

- Gardez le boyau à haute pression raccordé à la pompe et au pistolet de pulvérisation lorsque le système est sous pression.
- Dirigez TOUJOURS le pistolet de pulvérisation dans une direction sécuritaire, serrez la gâchette du pistolet de pulvérisation pour relâcher la haute pression à chaque fois que vous arrêtez le nettoyeur à haute pression.


5. Débranchez la prise avec disjoncteur de fuite de terre de la prise murale.

Comment utiliser les buses de pulvérisation

Trois buses sont fournies avec le nettoyeur à haute pression. La buse turbo fournit un jet d'eau précis et puissant pour un nettoyage intensif. La buse noire sert aux applications générales de savon, et la buse jaune pour les diverses applications à haute pression.

Suivez ces instructions pour changer les pointes de pulvérisation.

1. Tirez sur le col de la lance de pulvérisation et retirez la buse. Placer le turbo de connexion rapide et les embouts de pulvérisation colorés sur le support attaché à la lance de pulvérisation.

 **AVERTISSEMENT** Le jet d'eau à haute pression produit par cet appareil pourrait couper la peau et ses tissus sous-jacents, entraînant de graves lésions et pouvant conduire à une amputation.

- NE réparez JAMAIS le boyau à haute pression. Remplacez-le.
- Le tuyau de remplacement DOIT résister à une pression égale ou supérieure à la pression nominale de l'appareil.

2. Choisissez la buse désirée:

- Pour un nettoyage intensif, fournit un jet d'eau précis et puissant, sélectionner la buse turbo.
- Pour un rinçage général, idéal pour la plupart des nettoyages tout usage tels que revêtements de maison, les patios en brique, les ponts en bois, les allées et trottoirs, les planchers de garage, etc., choisissez une pointe de pulvérisation jaune 15 °.
- Pour le nettoyage doux de voitures / camions, bateaux, VR, meubles de patio, équipement de pelouse, etc, sélectionnez pointe de pulvérisation de 25 ° vert.
- Pour appliquer du détergent, appliquez des nettoyants spécifiques au projet pour aider à décomposer la saleté et la saleté tenaces sur une variété de surfaces, sélectionnez la pointe de pulvérisation de détergent noir.

3. Tirez sur le col de la lance de pulvérisation, insérez la buse de pulvérisation et relâchez le col. Tirez sur l'embout de pulvérisation pour vous assurer qu'il est bien en place.

Conseils d'utilisation

- Pour un nettoyage plus efficace, maintenez la buse de 20 cm à 60 cm (8 à 24 pouces) de la surface à nettoyer.
- Si vous tenez la buse trop près, en particulier s'il s'agit d'une buse à haute pression, vous risquez d'endommager la surface à nettoyer.
- Ne vous approchez PAS à moins de 15 cm (6 pouces) lors de nettoyage de pneus.

Application de détergent

⚠ AVERTISSEMENT Danger de brûlures chimiques.

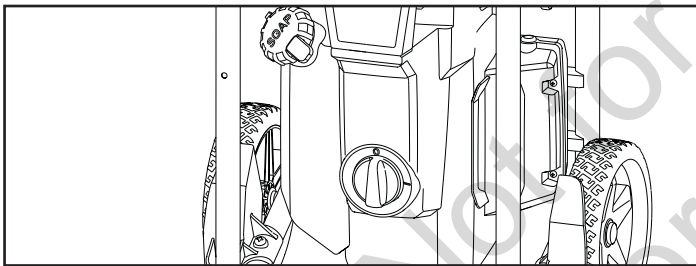


Les produits chimiques peuvent causer des brûlures risquant d'entraîner la mort ou des blessures graves.

- Portez toujours des lunettes de protection avec aération indirecte (éclaboussures de produits chimiques) conformes à la norme ANSI Z87.1 lorsque vous utilisez des produits chimiques.
- N'utilisez PAS de lunettes de sécurité ou de lunettes de sécurité pour condition sèche au lieu de lunettes de sécurité à aération indirecte.
- N'utilisez PAS une solution caustique avec le nettoyeur à haute pression électrique.
- N'UTILISEZ QUE des détergents/savons qui ne risquent pas d'endommager le nettoyeur à haute pression. Suivez toutes les directives des fabricants.

Pour appliquer un détergent, suivez les étapes ci-dessous:

1. Revoyez les directives pour l'utilisation des buses de pulvérisation dans la section *Comment utiliser les buses de pulvérisation*.
2. Préparez la solution de détergent nécessaire pour la tâche à effectuer.
3. Enlevez le capuchon du réservoir de détergent et remplissez-le avec la solution de détergent. Remplacez le capuchon.



4. Installez la buse noire pour détergent.

AVIS Le détergent ne peut pas être appliqué avec une buse jaune, vert ou turbo.

5. Assurez-vous que le tuyau d'arrosage est raccordé à l'entrée d'eau. Vérifiez que le boyau à haute pression est raccordé au pistolet de pulvérisation et à la sortie haute pression de la pompe. Ouvrez l'eau.
6. Démarrez le nettoyeur à haute pression tel que décrit à la rubrique *Comment démarrer votre nettoyeur à haute pression électrique*.
7. Appliquez le détergent sur une surface sèche en commençant par la partie inférieure à laver, puis travaillez vers le haut en formant de longues bandes uniformes qui se chevauchent.
8. Laissez le détergent pénétrer pendant au moins 3 à 5 minutes avant de laver et de rincer. Au besoin, appliquez de nouveau afin d'empêcher la surface de sécher. Pour empêcher la formation de stries, ne permettez pas au détergent de sécher sur la surface.

Rinçage du nettoyeur à haute pression électrique

1. Choisissez la buse désirée. Reportez-vous à la rubrique *Comment utiliser les buses de pulvérisation*.
2. Maintenez le pistolet de pulvérisation à une distance sécuritaire de la surface sur laquelle vous prévoyez de pulvériser.

⚠ AVERTISSEMENT Risque d'effet de recul.



Le pistolet de pulvérisation peut créer un effet de recul susceptible de vous faire tomber et d'entraîner des blessures graves ou la mort.

- Utilisez le nettoyeur à haute pression électrique à partir d'une surface stable.
 - Soyez très prudent si vous devez utiliser le nettoyeur à haute pression électrique lorsque vous êtes dans une échelle, un échafaudage ou un autre emplacement similaire.
 - Lorsque vous utilisez un jet à haute pression, saisissez fermement le pistolet de pulvérisation avec les deux mains afin d'éviter les risques de blessures entraînées par les effets de recul.
3. Appliquez une pulvérisation haute pression à une petite surface, puis vérifiez que celle-ci n'a pas été endommagée. S'il n'y a aucun dommage, vous pouvez considérer qu'il est acceptable de poursuivre le rinçage.
 4. Commencez par la partie supérieure de la surface à rincer, en vous dirigeant vers le bas en formant des bandes qui se chevauchent, comme lors du nettoyage.

Autres conseils de nettoyage

- Ne laissez JAMAIS le nettoyeur à haute pression électrique sans supervision alors qu'il est branché dans une prise électrique et que l'eau est alimentée à l'appareil.
- Si vous avez la buse de vaporisation trop éloignée de la surface à laver, le nettoyage peut ne pas être efficace.

Comment ranger les accessoires

Cet appareil est équipé d'endroits pour stocker le boyau à haute pression, le pistolet de pulvérisation, les buses, et le cordon d'alimentation. Embobinez le cordon d'alimentation et le boyau à haute pression sur le support. Rangez le pistolet de pulvérisation et la lance de pulvérisation dans les supports. Placez le turbo de connexion rapide et les embouts de pulvérisation colorés sur le support attaché à la lance de pulvérisation. Identifiez tous les accessoires à partir de l'illustration montrée dans la rubrique *Fonctions et commandes*.

Entretien

Recommandations générales

Un entretien régulier améliorera la performance et prolongera la durée de vie du nettoyeur à haute pression électrique.

La garantie sur ce nettoyeur à haute pression électrique ne couvre pas les items assujettis à un abus ou une négligence par l'opérateur. Pour recevoir la valeur en entier de la garantie, l'opérateur doit maintenir le nettoyeur à haute pression électrique selon les directives dans ce manuel, y compris l'entreposage correct.

AVIS En cas de questions sur le remplacement des composants du nettoyeur à haute pression, veuillez appeler le **1 800 743-4115** pour toute assistance.

Avant chaque utilisation

1. Nettoyez les débris.
2. Vérifiez la crépine de l'entrée d'eau pour la présence de débris ou de dommage.
3. Recherchez des fuites du boyau à haute pression.
4. Vérifiez le fonctionnement du pistolet de vaporisation.

Entretien du nettoyeur à haute pression électrique

Nettoyez les débris

Nettoyez les débris accumulés sur le nettoyeur à haute pression électrique tous les jours ou avant de l'utiliser. Inspectez les fentes d'air de refroidissement et les ouvertures aménagées sur l'avant, l'arrière et le dessous du nettoyeur à haute pression. Ces orifices doivent rester propres et libres de toute obstruction.

Les parties du nettoyeur à haute pression électrique doivent être gardées propres afin de réduire le risque de surchauffe et d'inflammation des débris accumulés.

- Utilisez un linge humide pour nettoyer les surfaces extérieures.

AVIS Le traitement inadéquat du nettoyeur à haute pression électrique peut l'endommager et réduire sa durée de vie.

- N'insérez AUCUN objet dans les fentes de refroidissement.

Vérifiez et nettoyez la crépine d'admission d'eau

Examinez la crépine d'admission d'eau de la pompe. Nettoyez-la si elle est obstruée ou remplacez-la si elle est endommagée.

Vérification du boyau à haute pression

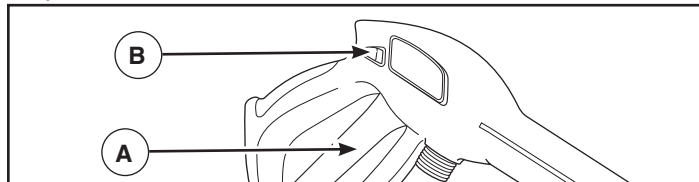
Le boyau à haute pression peut présenter des fuites suite à l'usure, au pliage ou à l'abus. Inspectez le boyau à chaque fois avant de l'utiliser. Recherchez la présence de coupures, de fuites, d'abrasions, de gonflement de la gaine, de dommages ou de mouvements dans les raccords. Si vous remarquez l'une de ces conditions, remplacez le boyau immédiatement.

AVERTISSEMENT Le jet d'eau à haute pression produit par cet appareil pourrait couper la peau et ses tissus sous-jacents, entraînant de graves lésions et pouvant conduire à une amputation.

- NE réparez JAMAIS le boyau à haute pression. Remplacez-le.
- Le tuyau de remplacement DOIT résister à une pression égale ou supérieure à la pression nominale de l'appareil.

Vérification du pistolet de pulvérisation

Examinez le raccord de boyau sur le pistolet de vaporisation et vérifiez qu'il est bien serré. Faites l'essai de la détente (A) en appuyant sur le verrou de détente (B) et en vous assurant que la détente revient à sa position initiale lorsque vous la relâchez. Vous ne devriez pas être en mesure d'actionner la détente sans avoir appuyé sur le verrou de détente. Remplacez immédiatement le pistolet de pulvérisation si ces essais échouent.



Entretien de l'embout de pulvérisation

Une pression de la pompe trop élevée peut entraîner un effet de pulsation lorsque vous appuyez sur la détente du pistolet de pulvérisation. La raison principale d'une pression de pompe trop élevée est l'obstruction complète ou partielle de la buse par un corps étranger, comme des saletés, etc. Une buse obstruée peut entraîner un cycle marche/arrêt de la pompe ou l'incapacité de se mettre en marche même en présence d'un certain débit.

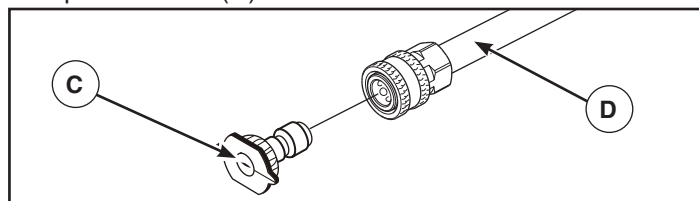
Pour corriger le problème, nettoyez immédiatement la buse en suivant ces consignes:

1. Poussez l'interrupteur principal de marche/arrêt vers la position d'arrêt (0). Débranchez le cordon d'alimentation de la prise murale.
2. Dirigez TOUJOURS le pistolet de vaporisation dans une direction sécuritaire, appuyez sur le bouton de verrouillage de la gâchette et serrez la gâchette du pistolet de vaporisation pour relâcher la haute pression d'eau restante.

AVERTISSEMENT Le jet d'eau à haute pression produit par cet appareil pourrait couper la peau et ses tissus sous-jacents, entraînant de graves lésions et pouvant conduire à une amputation. Le pistolet de pulvérisation emprisonne une pression d'eau élevée, même lorsque le moteur est arrêté et que l'arrivée d'eau est débranchée, ce qui peut entraîner des blessures graves.

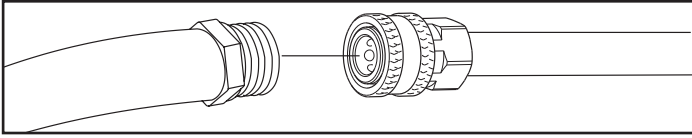
- Gardez le boyau à haute pression raccordé à la pompe et au pistolet de pulvérisation lorsque le système est sous pression.
- Dirigez TOUJOURS le pistolet de pulvérisation dans une direction sécuritaire, serrez la gâchette du pistolet de pulvérisation pour relâcher la haute pression à chaque fois que vous arrêtez le nettoyeur à haute pression.

3. Retirez la buse (C) de l'embout de la lance de pulvérisation (D).



4. Utilisez un trombone pour dégager tout élément pouvant obstruer les buses.
5. Retirer la lance de pulvérisation du pulvérisation pistolet.

6. En utilisant un boyau d'arrosage, enlevez tout débris restant en inversant la circulation de l'eau dans la lance de pulvérisation. Faites circuler l'eau en sens inverse pendant 30 à 60 secondes.



7. Réinstallez la buse sur la lance de pulvérisation.
8. Raccordez la lance de pulvérisation au pistolet de vaporisation.
9. Assurez-vous que le tuyau d'arrosage est raccordé à l'entrée d'eau. Vérifiez que le boyau à haute pression est raccordé au pistolet de pulvérisation. Ouvrez l'eau.
10. Branchez le cordon d'alimentation dans une prise électrique et poussez l'interrupteur principal de marche/arrêt sur le nettoyeur à haute pression vers la position de marche (I).
11. Faites l'essai du nettoyeur à haute pression électrique en utilisant chacune des buses.

Entretien de la pompe et du moteur

La pompe et le moteur de ce nettoyeur à haute pression électrique ne nécessitent aucun entretien. Les deux assemblages sont pré-lubrifiés et scellés, ne nécessitant jamais de lubrification supplémentaire.

Après chaque utilisation

L'eau ne devrait pas demeurer dans l'appareil pendant de longues périodes. Des sédiments ou des minéraux pourraient s'accumuler sur les pièces de la pompe et bloquer son mouvement. Suivez ces procédures après chaque utilisation :

1. Vidangez le détergent de la pompe en faisant fonctionner le nettoyeur à haute pression pendant une à deux minutes sur un réglage de buse à haut débit.
2. Ajouter 0,5 L d'eau propre dans le réservoir de détergent, faire fonctionner le nettoyeur de haute pression électrique avec la buse de détergent noir. Rincer pendant une ou deux minutes.
3. Tournez sur l'interrupteur principal de marche/arrêt vers la position d'arrêt (0). Débranchez le cordon d'alimentation de la prise murale.
4. Éteignez le moteur, fermez l'alimentation en eau, dirigez le pistolet vers un endroit sécuritaire et appuyez sur le bouton rouge et la gâchette pour libérer la pression, puis laissez refroidir le moteur.
5. Débranchez le boyau du pistolet de pulvérisation et de la sortie haute pression sur la pompe.
6. Videz l'eau du tuyau, du pistolet de pulvérisation et de la lance de pulvérisation. Essuyez le boyau avec un chiffon.
7. Videz l'eau de la pompe en basculant l'appareil sur son côté avant (sortie d'eau vers le bas) pendant deux minutes. Basculez l'appareil vers l'arrière (sortie de haute pression vers le bas) pendant deux minutes additionnelles.
8. Embobinez le cordon d'alimentation et le boyau à haute pression sur le support.

9. Rangez le pistolet de pulvérisation et la lance de pulvérisation dans le supports. Placer le turbo de connexion rapide et les embouts de pulvérisation colorés sur le support attaché à la lance depulvérisation. Reportez-vous à la rubrique *Fonctions et commandes* et *Procédures finales d'entreposage*.
10. Entreposez l'appareil dans un endroit propre et sec.
11. Si l'entreposage dure plus de 30 jours, reportez-vous à la rubrique *Remisage hivernal ou à long terme*.

Remisage hivernal ou à long terme

Suivez les étapes 1 - 9 dans *Après chaque utilisation*.

AVIS L'eau restante dans la pompe pourrait geler et endommager la pompe de manière permanente. Les dommages causés par le gel ne sont pas couverts par la garantie.

Protection de la pompe

Pour protéger la pompe des dommages causés par les dépôts de minéraux ou le gel, utilisez le PumpSaver (modèle 6039) pour traiter la pompe. Vous préviendrez ainsi les dommages causés par le gel et lubrifierez le plongeur et les joints.

AVIS PumpSaver est un accessoire disponible en option. Il n'est pas fourni avec le nettoyeur à haute pression électrique. Contactez le centre de service autorisé situé le plus près de chez vous pour vous procurer PumpSaver.

AVIS Vous devez protéger votre appareil contre le gel.

- Faute de le protéger, la pompe s'endommagera de façon permanente et l'appareil sera inopérant.
- Les dommages causés par le gel ne sont pas couverts par la garantie.

Pour utiliser PumpSaver, assurez-vous que le nettoyeur à haute pression électrique est mis en arrêt et que les tuyaux d'entrée et de sortie sont déconnectés. Veuillez lire et suivre les directives et les avertissements mentionnés sur le récipient de PumpSaver.

Procédures finales d'entreposage

1. Rangez le boyau à haute pression et le cordon d'alimentation sur le support.
2. Rangez le pistolet de pulvérisation et la lance de pulvérisation dans le supports. Placer le turbo de connexion rapide et les embouts de pulvérisation colorés sur le support attaché à la lance depulvérisation.
3. Entreposez le nettoyeur dans un endroit propre et sec, protégé du gel. La poignée peut être rabattue pour le rangement. L'appareil puede funcionar en position verticale ou horizontale.
4. Recouvrez l'appareil avec une couverture protectrice appropriée qui ne retient pas l'humidité.

Dépannage

Problème	Cause	Correction
La pompe présente les problèmes suivants : échec à produire de la pression, pression irrégulière, cliquetis, perte de pression, faible volume d'eau.	<ol style="list-style-type: none"> 1. L'entrée d'eau est bloquée. 2. L'alimentation en eau est insuffisante. 3. Le boyau d'arrosage est plié ou fissuré. 4. La crépine d'admission d'eau est obstruée. 5. La température de l'alimentation en eau est supérieure à 100 °F (38 °C). 6. Le tuyau à haute pression est obstrué ou fissuré. 7. La buse est obstruée 	<ol style="list-style-type: none"> 1. Nettoyez l'arrivée d'eau. 2. Fournissez un débit d'eau adéquat. 3. Redressez le boyau d'arrosage ou remplacez-le s'il présente des fuites. 4. Vérifiez et nettoyez la crépine d'admission d'eau. 5. Fournissez une eau plus froide. 6. Dégagez tout blocage dans le tuyau à haute pression ou remplacez-le. 7. Nettoyez la buse.
L'appareil ne démarre pas lorsqu'on presse sur la détente	<ol style="list-style-type: none"> 1. L'alimentation en eau n'est pas activée. 2. L'appareil n'est pas en marche. 3. Le boyau d'arrosage est trop long. 4. Fusible grillé, disjoncteur déclenché. 	<ol style="list-style-type: none"> 1. Ouvrez l'alimentation en eau. 2. Poussez l'interrupteur principal de marche/arrêt vers la position d'arrêt (I). Réinitialisez le disjoncteur de fuite de terre. 3. Utilisez un boyau d'arrosage de 15,24 m (50 pi) tout au plus. 4. <ol style="list-style-type: none"> a.) Vérifiez la boîte de fusibles à la recherche d'un fusible grillé et remplacez-le au besoin, ou réenclenchez le disjoncteur. N'utilisez PAS un fusible ou un disjoncteur avec une puissance nominale plus élevée que ce qui est spécifié pour votre circuit de dérivation en particulier. b.) Débranchez les autres appareils électriques et fermez les lumières dans le circuit ou faites fonctionner le nettoyeur à haute pression sur son propre circuit dédié. c.) Faites fonctionner le nettoyeur à pression avec une buse quelconque pendant 5 minutes. Il pourrait s'avérer nécessaire d'ouvrir le moteur.
Le détergent ne se mélange pas avec l'eau de pulvérisation.	<ol style="list-style-type: none"> 1. La buse pour haute pression est installée. 2. La pression de l'entrée de l'alimentation en eau est trop élevée. 	<ol style="list-style-type: none"> 1. Installez la buse noire pour détergent. 2. Fermez lentement la valve d'alimentation en eau jusqu'à ce que le produit chimique commence à se retirer (la mousse de savon apparaîtra lorsque le produit chimique commence à se retirer).
Les raccords du tuyau présentent des fuites.	<ol style="list-style-type: none"> 1. Le tuyau d'arrosage n'est pas étanche à la prise d'eau. 2. Les raccords de tuyau à haute pression ne sont pas étanches. 3. Les joints toriques sont endommagés. 	<ol style="list-style-type: none"> 1. Connectez à la main le tuyau d'arrosage à la prise d'eau. 2. Retirez le tuyau complètement et rebranchez-le en le serrant bien à la main. 3. Remplacez le joint torique.

Pour tous les autres problèmes, contactez un concessionnaire Briggs & Stratton autorisé.

POLITIQUE DE GARANTIE DES BRIGGS & STRATTON

GARANTIE LIMITÉE

Briggs & Stratton garantit que, pendant la période de couverture de la garantie précisée ci-dessous, elle réparera ou remplacera, sans frais, toute pièce défectueuse comportant un vice de matériau ou un défaut de fabrication ou les deux. En vertu de la présente garantie, les frais de transport du produit soumis pour réparation ou remplacement sont à la charge de l'acheteur. La présente garantie sera en vigueur et soumise aux périodes et conditions stipulées ci-dessous. Pour obtenir des services en vertu de la garantie, téléphoner au Service à la clientèle de Briggs & Stratton au (800) 743-4115 ou communiquer avec eux par Internet à l'adresse BRIGGSandSTRATTON.COM.

Il n'existe aucune autre garantie expresse. Les garanties implicites, incluant les garanties de qualité marchande et d'adaptation à un usage particulier, sont limitées à une période d'un an à partir de la date d'achat ou jusqu'à la limite permise par la loi. La responsabilité pour dommages accessoires ou indirects est exclue dans la mesure où une telle exclusion est permise par la loi. Certains états/provinces ou pays n'autorisent aucune restriction sur la durée d'une garantie implicite, et certains états/provinces ou pays n'autorisent pas l'exclusion ou la limitation des dommages consécutifs ou indirects. Par conséquent, les restrictions et exclusions décrites ci-dessus pourraient ne pas s'appliquer dans votre cas. La présente garantie vous offre des droits juridiques spécifiques et il se peut que vous ayez d'autres droits qui varient d'un état ou d'une province à l'autre, ou de pays à pays.**

PÉRIODE DE GARANTIE

Usage par un consommateur

12 mois

Usage à des fins commerciales

Aucune

** En Australie – Nos produits sont accompagnés de garanties qui ne peuvent être exclues en vertu de l'Australian Consumer Law. Vous avez droit à un remplacement ou à un remboursement en cas de défaillance majeure et en compensation à toute perte ou tout dommage raisonnablement prévisible. Vous avez également droit à la réparation ou au remplacement des produits si ceux-ci ne sont pas de qualité acceptable et que la défaillance n'équivaut pas à une défaillance majeure. Pour obtenir le service sous garantie, recherchez le concessionnaire autorisé le plus proche sur notre carte des détaillants sur le site BRIGGSandSTRATTON.COM, ou appelez le 1300 274 447, ou encore envoyez un courriel à salesenquires@briggsandstratton.com.au, Briggs & Stratton Australia Pty Ltd, 1 Moorebank Avenue, NSW, Australie, 2170.

La période de garantie débute à la date d'achat par le premier acheteur au détail ou par le premier utilisateur commercial final. « Usage par un consommateur » signifie une utilisation domestique personnelle dans une résidence, par l'acheteur au détail. « Usage à des fins commerciales » signifie toute autre utilisation, y compris à des fins commerciales, générant des revenus, ou de location. Une fois que le produit a été utilisé dans un but commercial, il sera considéré comme d'utilisation commerciale dans le cadre de cette garantie.

Veuillez garder le reçu de votre achat. Si vous ne pouvez pas fournir la preuve de l'achat au moment de faire une demande se rapportant à la garantie, la date de fabrication du produit sera utilisée pour déterminer la période de garantie. L'enregistrement du produit n'est pas obligatoire pour obtenir un service de garantie pour les produits Briggs & Stratton.

À PROPOS DE VOTRE GARANTIE

Le service de garantie n'est offert que par l'intermédiaire des Service à la clientèle de Briggs & Stratton. Cette garantie couvre uniquement les défauts de matériel et de fabrication. Elle ne couvre pas des dommages causés par une mauvaise utilisation ou des abus, un mauvais entretien ou une réparation incorrecte, une usure normale ou l'utilisation de carburant vicié ou non approuvé.

Mauvaise utilisation et abus – Une bonne utilisation, tel que prévu, du produit est décrite dans le manuel de l'opérateur. L'utilisation de la machine de façon autre que celle décrite dans le manuel d'utilisation ou son utilisation après qu'elle a été endommagée annulera la garantie. Vous ne pourrez vous prévaloir de la garantie si le numéro de série sur la machine a été supprimé ou si la machine a été modifiée d'une manière quelconque, ou si elle présente des preuves d'abus, tel que coups, corrosion par l'eau ou des produits chimiques.

Mauvais entretien ou réparation – Cette machine doit être entretenue conformément aux procédures et aux intervalles indiqués dans le manuel de l'opérateur; l'entretien et les réparations doivent être effectués avec des pièces d'origine Briggs & Stratton ou équivalentes. Les dommages causés par le manque d'entretien ou l'utilisation de pièces n'étant pas d'origine ne sont pas couverts par la garantie.

Usure normale – Comme la plupart des équipements mécaniques, malgré un bon entretien, le vôtre est sujet à une usure. La présente garantie ne couvre pas les réparations lorsque la durée de vie de la machine s'est achevée après une utilisation normale. Les articles d'entretien et d'usure, tels que filtres, courroies, lames et plaquettes de frein (les plaquettes de frein moteur sont couvertes) ne sont pas couverts par la garantie, uniquement en raison de leur caractéristique d'usure, à moins que la cause soit due à des vices du matériel ou de fabrication.

Carburant éventé ou non approuvé – Afin de fonctionner correctement, cette machine doit être alimentée avec un carburant propre conforme au critère précisé dans le manuel de l'opérateur. Les dommages au moteur ou à l'équipement dus à un carburant éventé ou à l'utilisation de carburants non approuvés (comme les mélanges d'éthanol E15 ou E85) ne sont pas couverts par la garantie.

Autres exclusions – Cette garantie exclut tout dommage dû à un accident, un abus, des modifications, des transformations, un entretien inapproprié, la détérioration par le gel ou les produits chimiques. Les accessoires non emballés à l'origine avec le produit sont aussi exclus. La garantie ne couvre pas l'équipement utilisé comme alimentation principale à la place de l'alimentation électrique de secteur ou pour les applications de maintien des fonctions vitales. Cette garantie ne concerne pas les appareils ou les moteurs usagés, réusinés, de seconde main ou de démonstration. Cette garantie exclut toute défaillance due à une catastrophe naturelle ou à toute autre force majeure hors du contrôle du fabricant.

80018419_FRCA Rév. A

Français

fr



Nettoyeur à haute pression électrique

Fiche technique

Pression maximum de sortie 138 bar (2,000 psi)* à 4,5 l/min (1,2 gpm)
Débit maximal 4,5 l/min (1,2 gpm)* à 138 bar (2,000 psi)
Mélange de détergent Consultez les instructions du fabricant
Température de l'alimentation en eau	.. Ne doit pas dépasser les 38 °C (100 °F)
Moteur Induction Type
Tension nominale 120 volts CA
Courant 13,0 ampères

Not for
Reproduction

* Ce nettoyeur à haute pression est évalué conformément à la norme PW101-2010 (essai et évaluation de la performance des nettoyeurs à haute pression) de l'Association des fabricants de nettoyeurs à haute pression (PWMA).

Briggs & Stratton Corporation
P.O. Box 702
Milwaukee, Wisconsin, 53201-0702 É.-U.