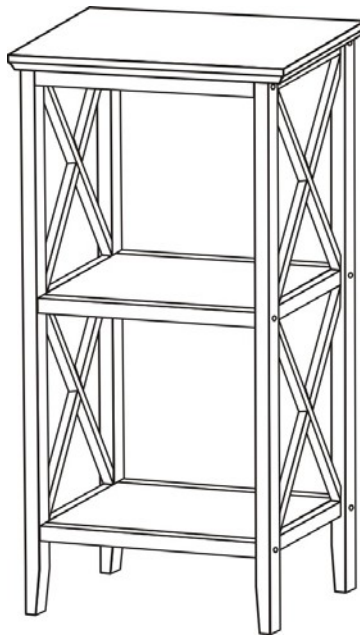




ASSEMBLY INSTRUCTIONS



RiverRidge® X-Frame 3-Shelf Storage Tower

ITEM # 06-072/16-022 WHITE

ITEM # 06-073/16-023 ESPRESSO

ADULT ASSEMBLY REQUIRED

This product requires assembly by an adult because of small parts. Care should be taken in unpacking and assembling this item to keep small parts away from children.

WARNING  **SEE FULL WARNING ON PAGE 2**

Young children can be seriously injured or killed if furniture tips over. Don't use this item for a TV stand or place heavy objects on top of item. Always use angle-braces or anchors to secure furniture to the wall.

Send requests for missing or damaged parts replacements by email to:

customer.service@ssi-rr.com or call toll free 1-(844)-223-5201 or order parts on line at

www.riverridgehome.com

THIS SHELF UNIT WILL HOLD UP TO 25 POUNDS PER SHELF OR A TOTAL OF 75 POUNDS. DO NOT LOAD EACH SHELF WITH MORE THAN 25 POUNDS. IF LOADED WITH MORE THAN 25 POUNDS PER SHELF AS THIS MAY CAUSE DAMAGE TO THE SHELF AND MAY CAUSE SERIOUS INJURY OR DEATH.

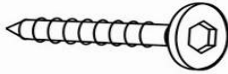





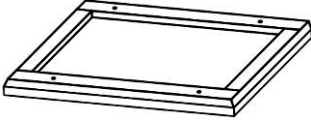
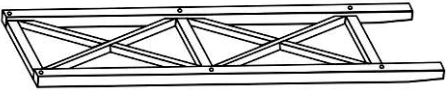





WARNING

SERIOUS OR FATAL INJURIES CAN OCCUR FROM FURNITURE TIP-OVER. TO HELP PREVENT TIP-OVER:

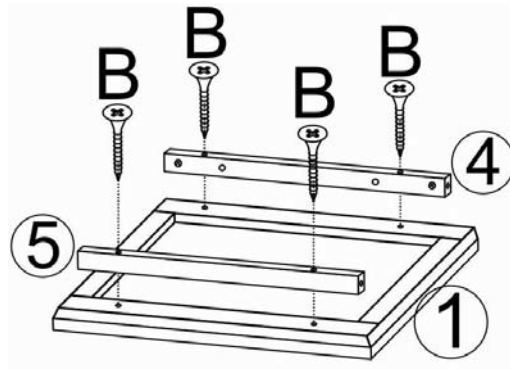
- **Always use tip over restraints and/or wall anchors to secure furniture to the wall**
- **Place heaviest items in the lowest drawers/bins or shelves**
- **Do not set TV's or other heavy objects on the top of this product**
- **Never allow children to climb or hang on to the drawers/bins, doors or shelves of furniture**
- **Never open more than one drawer at a time or defeat or remove any drawer interlock system**

PARTS LIST

NO	PARTS	QTY	DESCRIPTION
A		12PCS	LONG SCREW 5x45mm
B		4PCS	SCREW 4x35mm
C		12PCS	PLASTIC CAP
D		2PCS	SCREW 4x40mm
E		2PCS	PLASTIC ANCHOR
F		1PC	ALLEN WRENCH
1		1PC	TOP BOARD
2		2PCS	SIDE FRAME
3		2PCS	SHELF
4		1PC	BACK CROSS BAR
5		1PC	FRONT CROSS BAR

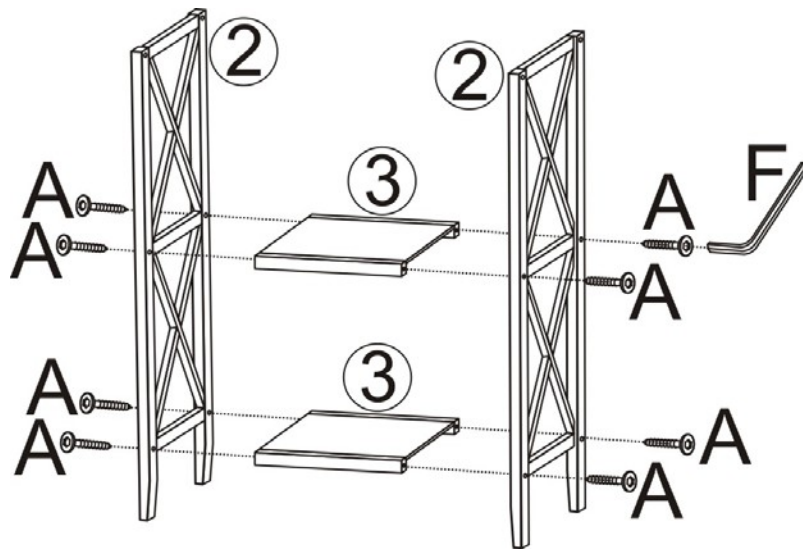
**TOOLS NEEDED FOR ASSEMBLY: FLAT & PHILLIPS SCREWDRIVER (NOT INCLUDED)
THE USE OF POWER SCREWDRIVER IS NOT RECOMMENDED**

STEP 1



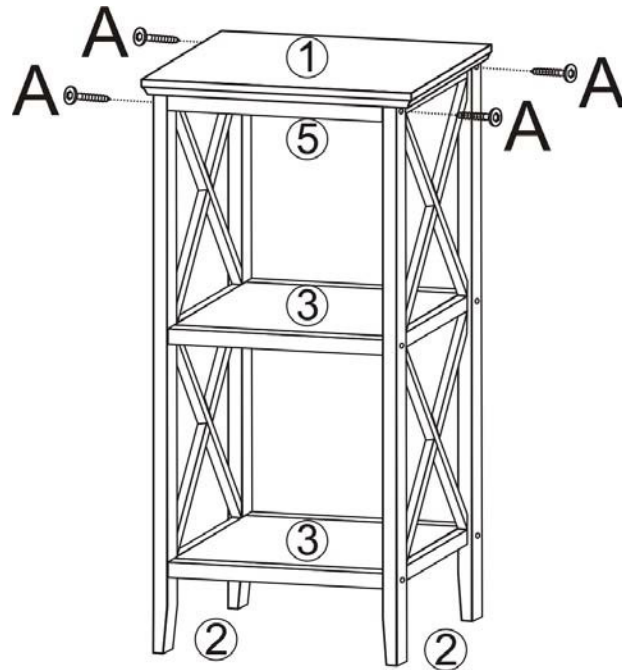
1. Place top board (1) upside down on soft padded surface.
2. Attach back cross bar (4) to top board (1) by inserting 2 wood screws (B) through holes on back cross bar (4) and tighten to top board (1).
3. Repeat above step to assemble front cross bar (5).

STEP 2



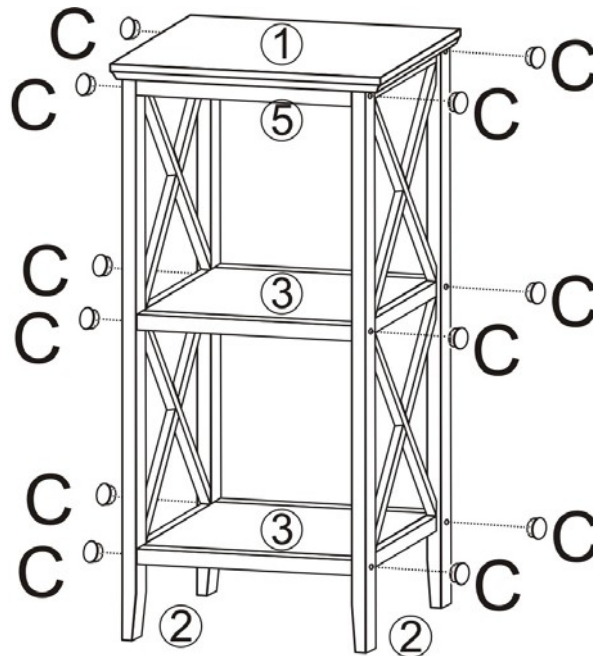
1. Attach 2 shelves (3) to 2 side frames (2) by inserting 8 long wood screws (A) through holes on side frames (2) and tighten to shelves (3) using Allen wrench (F). When tightening, slightly push screw in to catch inner thread.

STEP 3



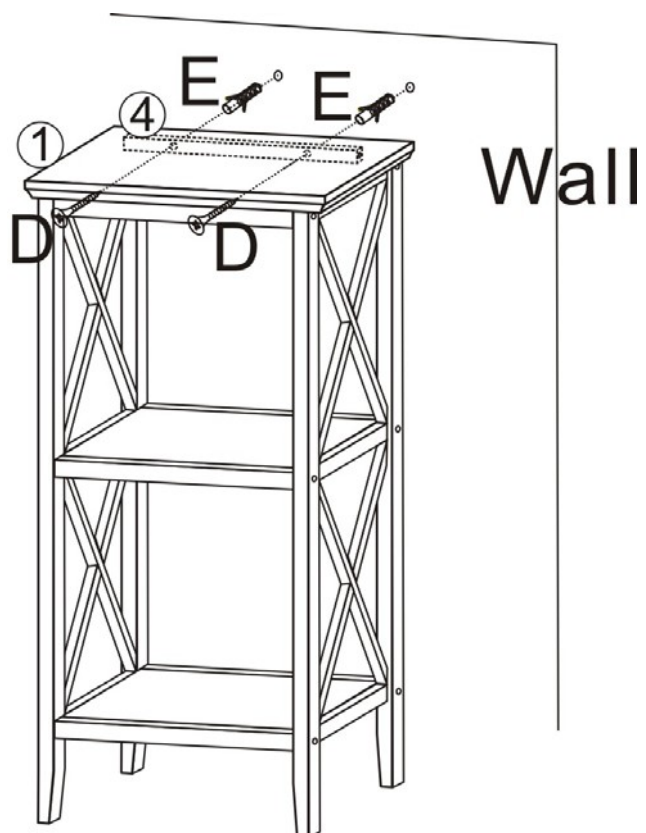
1. Attach top board (1) to pre-assembled side panels (2) by inserting 4 long wood screws (A) through holes on side frame (2) and tighten to back cross bar (4) and front cross bar (5) using Allen wrench (F). When tightening, slightly push screw in to catch inner thread.

STEP4

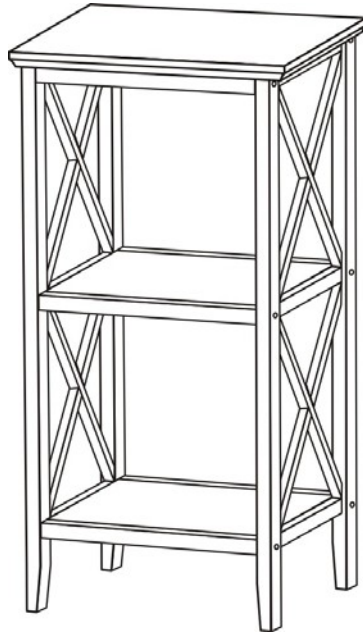


1. Press 12 Plastic caps (C) into wood screw holes on side frame (2). If added pressure is needed to keep plastic caps in place – cover caps with a piece of paper and tap lightly with hammer to secure.

STEP5




1. Use template drawing to drill 2 holes on and insert 2 plastic anchors (E) into holes on wall.
2. Insert 2 wood screws (D) through holes on back cross bar (4) and tighten to plastic anchors (E).



ENJOY YOUR NEW RiverRidge® 3-Shelf Storage Tower NOW!

Attention Adults: Cabinet should be checked periodically for damage or loose screws/parts. Take appropriate action necessary to correct hazards such as tightening of screws and taking any damaged parts away from children.

Warning  **Please make sure your item is secured to the wall, per assembly instructions.**

Thank you for purchasing this RiverRidge® Home Products item. We hope you enjoy it and consider purchasing other RiverRidge® items.

Send requests for missing or damaged parts replacements by email to:

customer.service@ssi-rr.com or call toll free 1-(844)-223-5201 or order parts on line at

www.riverridgehome.com

RiverRidge® is a registered trademark of Sourcing Solutions, Inc., Hudson, WI 54016.

