

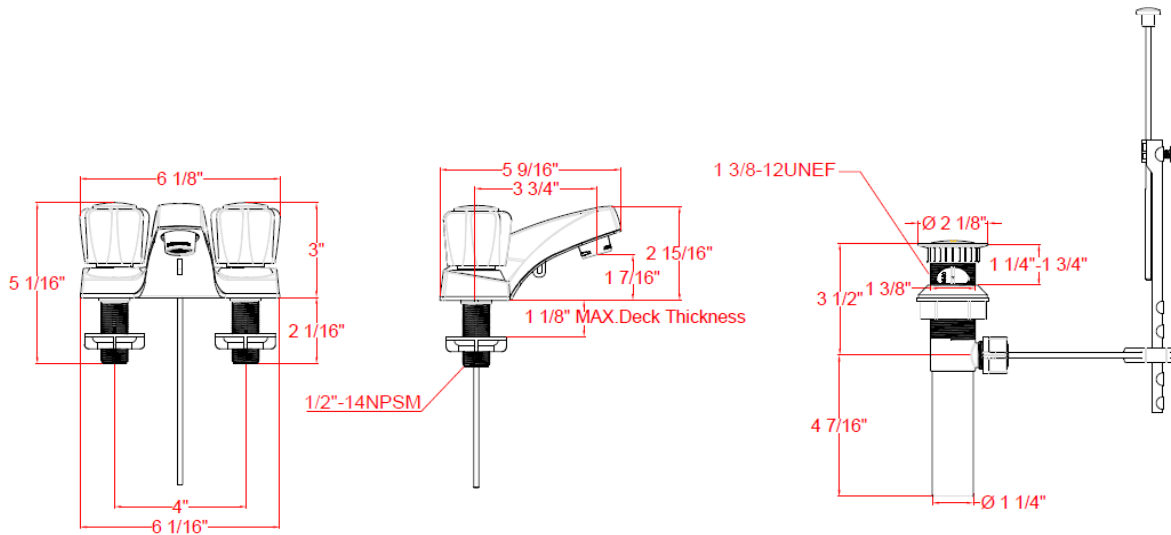
MILLBRIDGE Twin Handle 4" cc Lavatory Faucet

Specifications

| | |
|-------------------------------|--|
| Material Content | Hybrid Valve Body, Zinc housing, PE throat cover |
| Pop-Up Drain | ABS Pop-Up |
| Spout Reach | 3-3/4" |
| Cartridge | Washerless with brass insert |
| Lever Handle Operation | Rounded Acrylic Knob, (1/4) quarter turn stop |
| Installation Type | 3-hole, 4" center mount |
| Max Waterflow (GPM) | 1.5 GPM @ 60psi |



Dimensions



Warranty & Compliances

| | |
|--------------------|---|
| Warranty | Lifetime Limited Warranty; Lifetime Limited Finish Warranty |
| IAPMO/UPC | CUPC compliant |
| ASME | ASME A112.18.1-05 |
| CSA | CSA B125.1-05 |
| NSF | NSF/ANSI 61 |
| Lead Free | Fed. Public Law 111-380; AB1953 |
| WaterSense® | Compliance with EPA WaterSense® High Efficiency Lavatory Faucet Specification |
| ADA | Compliant |



Order Codes & Finishes/Colors

| | | |
|------------------------|--------------------|--|
| Polished Chrome | 545970 | |
| Polished Chrome | 545954 (no pop-up) | |

Type:

Job:

Order Code:

Approvals:

Design House reserves the right to make changes in materials, specifications & models at any time. Design House also reserves the right to discontinue product without notice or obligation.