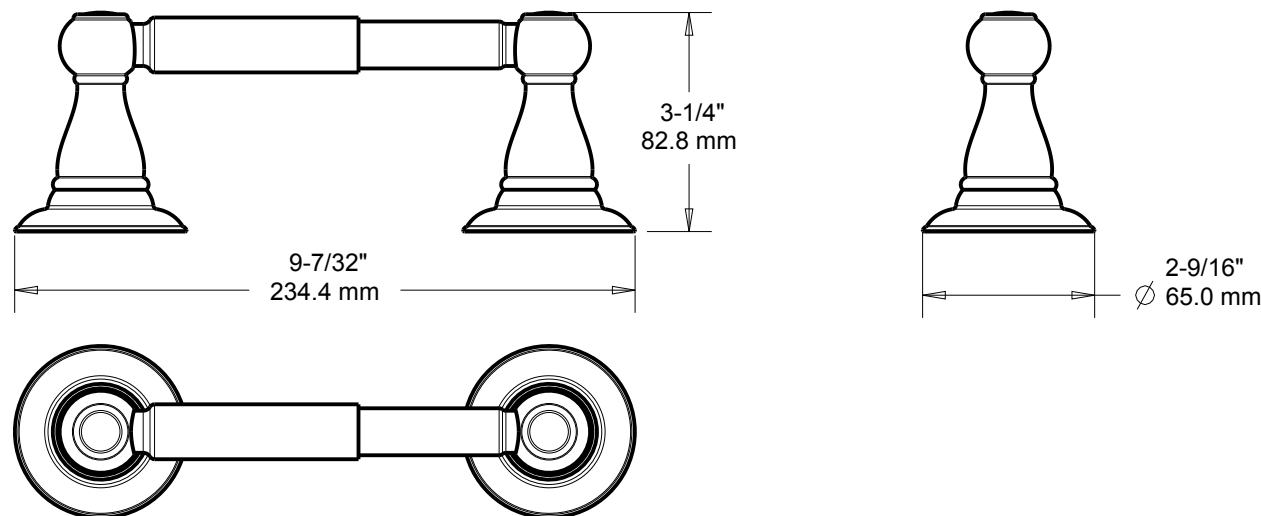
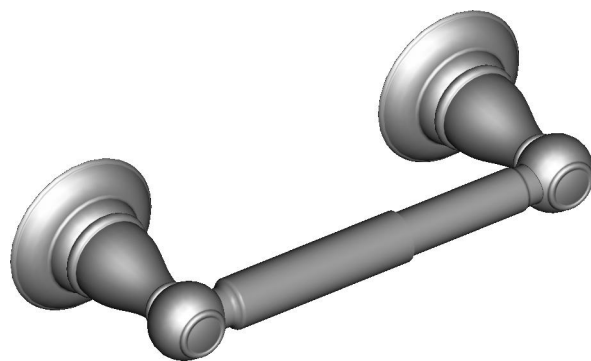


# TECHNICAL DATA

## Porter - Easy Clip

## TISSUE PAPER HOLDER



**MATERIALS:** Post - Zinc Die Cast  
 TP Spring - Steel  
 Wall Plate - Steel, Zinc Plated

**INSTALLATION:** Mount wall plate bracket(s) per installation instructions with supplied fasteners. Slip product over wall plate(s) and slide down to secure.

**OPTIONAL FASTENER INFORMATION:**  
 Wood blocking is preferable behind all wall surfaces. If wood blocking is not available, the following fasteners are suggested: Tile/Masonry - Plastic or Lead Anchors, Plaster/Drywall - Toggle Bolts.

**SPECIFICATION:** Surface mounted Tissue Paper Holder shall be model \_\_\_\_\_  
 (fill in model number) by Liberty Hardware Manufacturing Corporation.



see what Delta can do