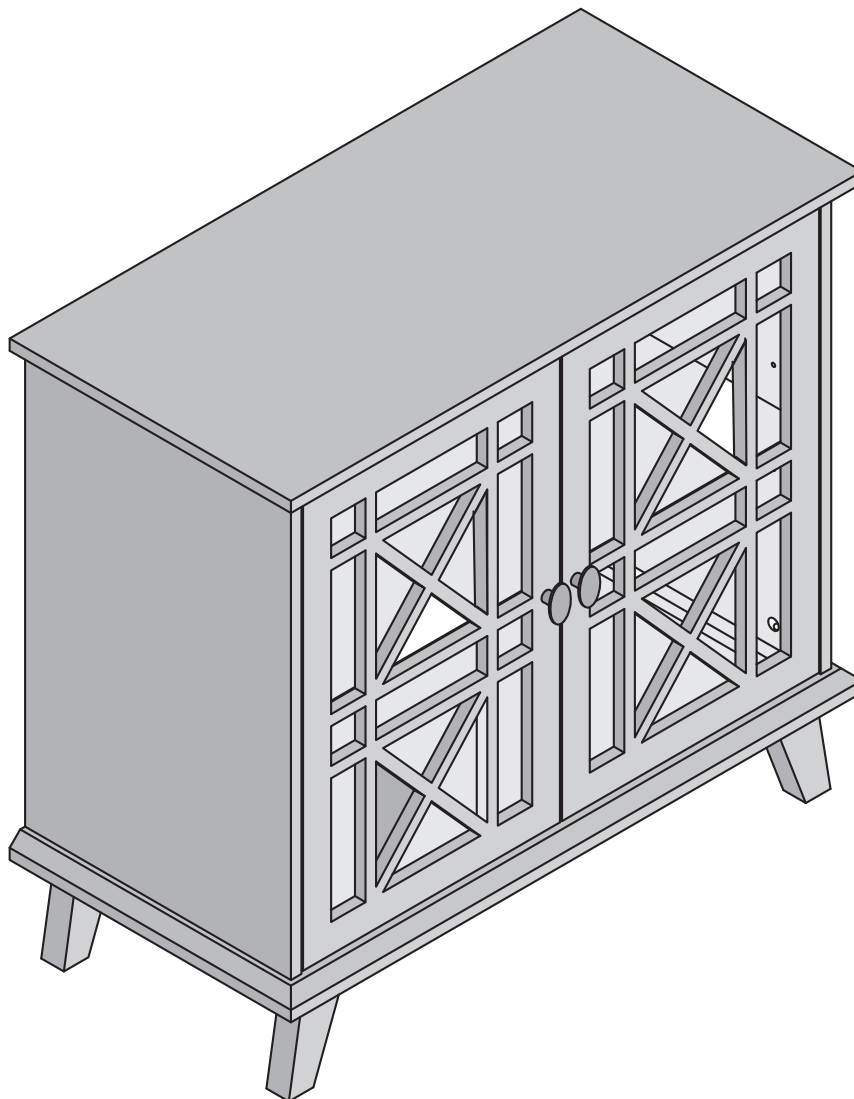


W Walker[®]
Edison
furniture company

Item # : W32FWA
Assembly Instructions

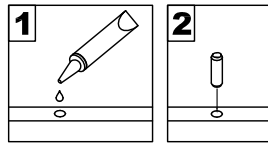


Please visit our website for the most current instructions, assembly tips, report damage, or request parts. www.walkeredison.com

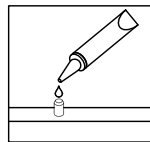
Revised 03/2017

General Assembly Guidelines

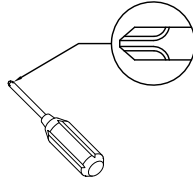
- I. Ensure that all parts and hardware are available before beginning assembly.
- II. Follow each step carefully to ensure the proper assembly of this product.
- III. Two people are recommended for ease in the assembly of this product.
- IV. The three main types of hardware used to assemble this product are : wood dowels , screws and bolts.
- V. The provided glue is to secure wood dowels in place . When first inserting dowels , locate the appropriate hole for the dowel , place a small amount of glue in the hole and insert the dowel . Wipe away excess glue immediately.



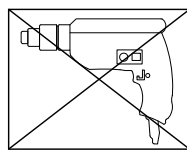
In future assembly steps when dowels are necessary to attach assembly parts together , place a small amount of glue on the end of the dowel before attaching parts together . Wipe away excess glue immediately.



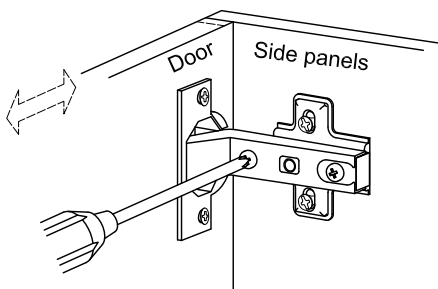
- VI. A Phillips head screwdriver is required for the assembly of this product .



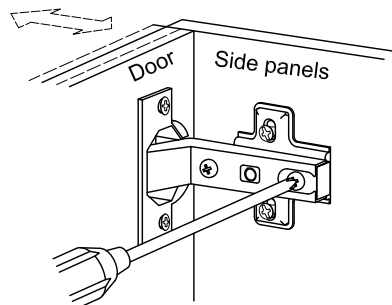
- VII. Power tools should not be used to assemble this product .



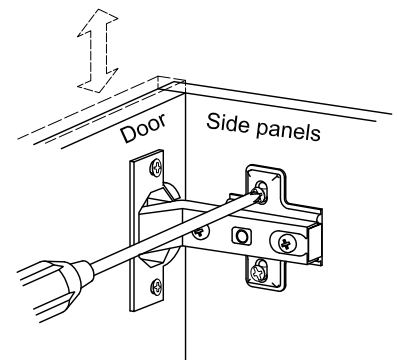
- VIII. Concealed hinges are three-way adjustable.



Horizontal
by screw adjustment

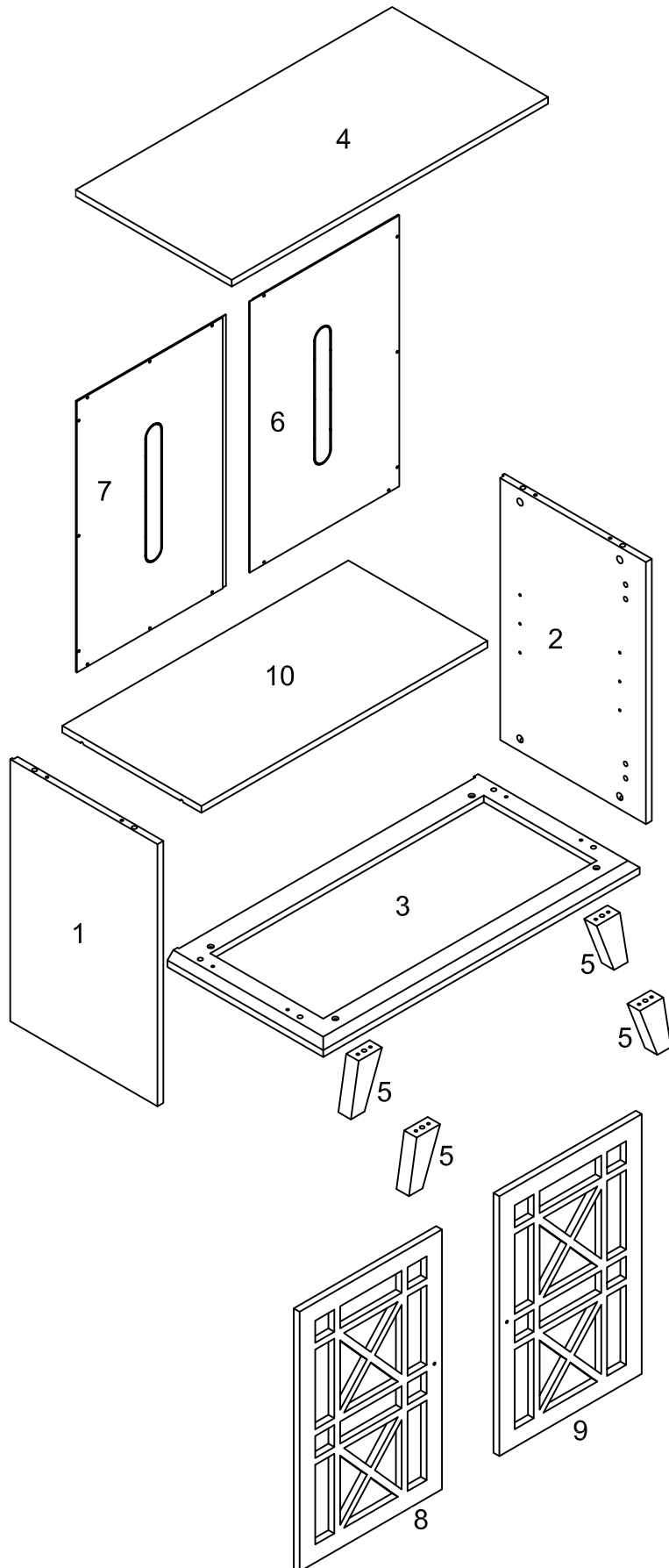


In-and-Out
by loosening the hinge-arm
mounting screw or via cam
adjustment

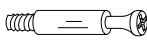





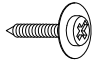
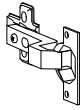
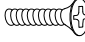







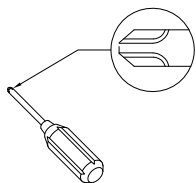
Vertical
Via slots in the mounting
plate or via cam adjustment

Parts List



Hardware List

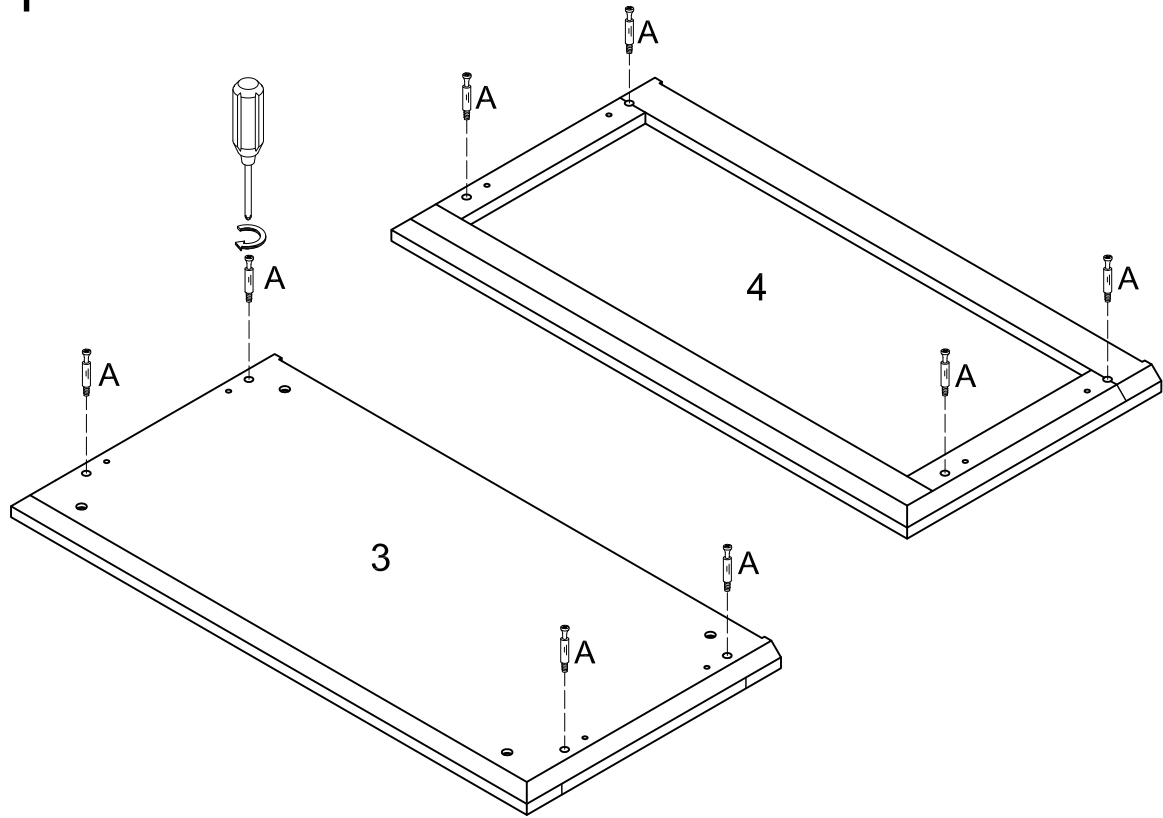
A		Ø6x32mm	Cam bolt	8 pcs
B		Ø15x11mm	Cam lock	8 pcs
C		Ø8x30mm	Wooden dowel	8 pcs
D		Ø6x30mm	Wooden dowel	8 pcs
E		Ø4x12mm	Knob	2 pcs
F		Ø4x20mm	Bolt	2 pcs
G		Ø2.5x12mm	Screw	18 pcs
H			Hinge	4 pcs
J		Ø4x12mm	Screw	16 pcs
K		Ø8x5x16mm	Shelf support pin	4 pcs
L		M6*40mm	Bolt	4 pcs
M		Ø30	Sticker	8 pcs
N		M4mm	Wrench	1 pc
P			Glue tube	1 pc



Philips head screwdriver required for assembly
(not included)

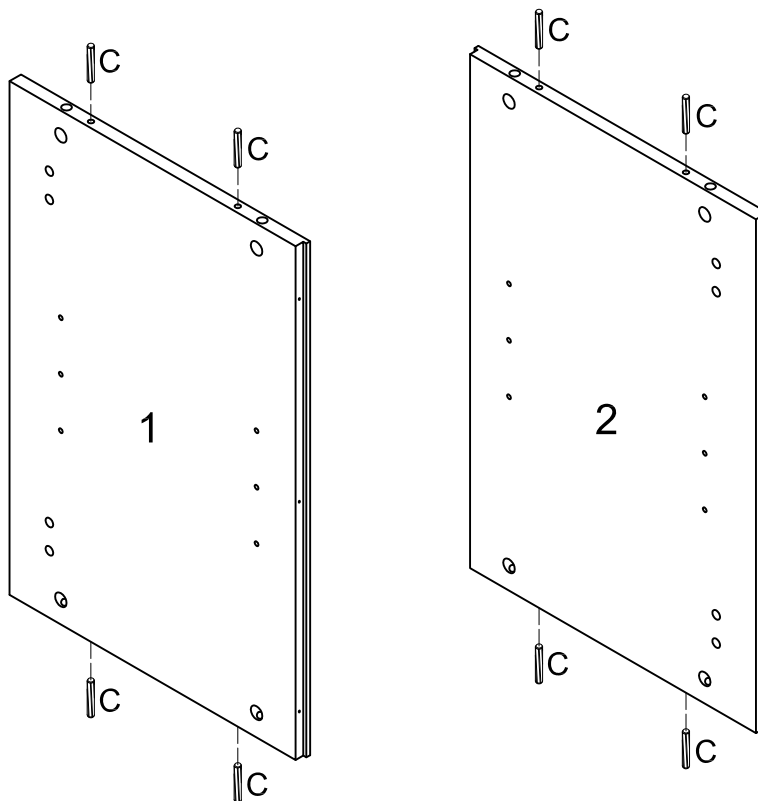
*The hardware quantities listed above are required for proper assembly.
Some extra hardware may also have been included.*

Step 1



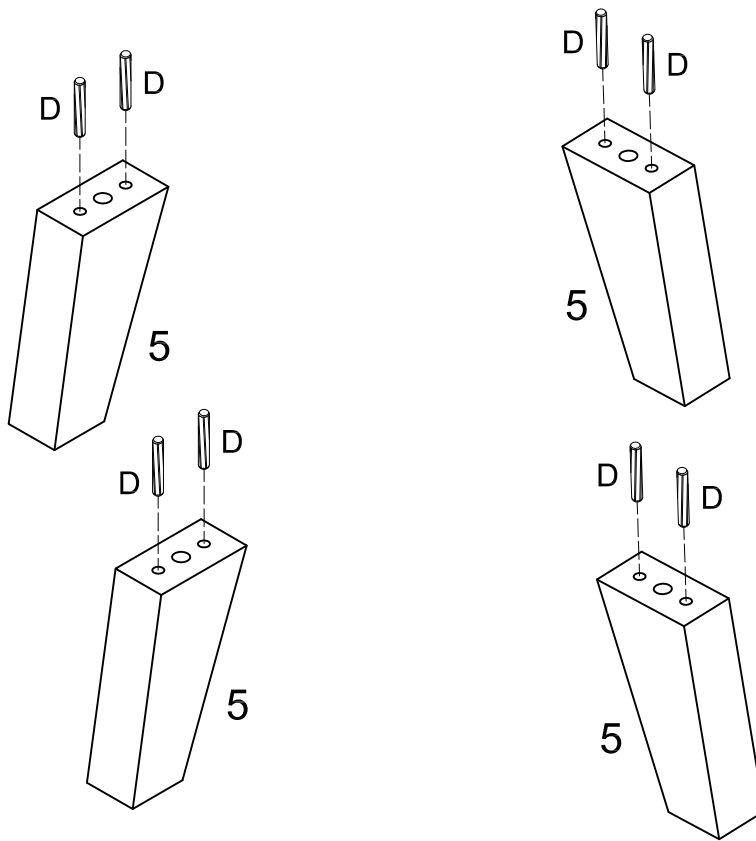
Attach cam bolts A) to parts (3) and (4).

Step 2



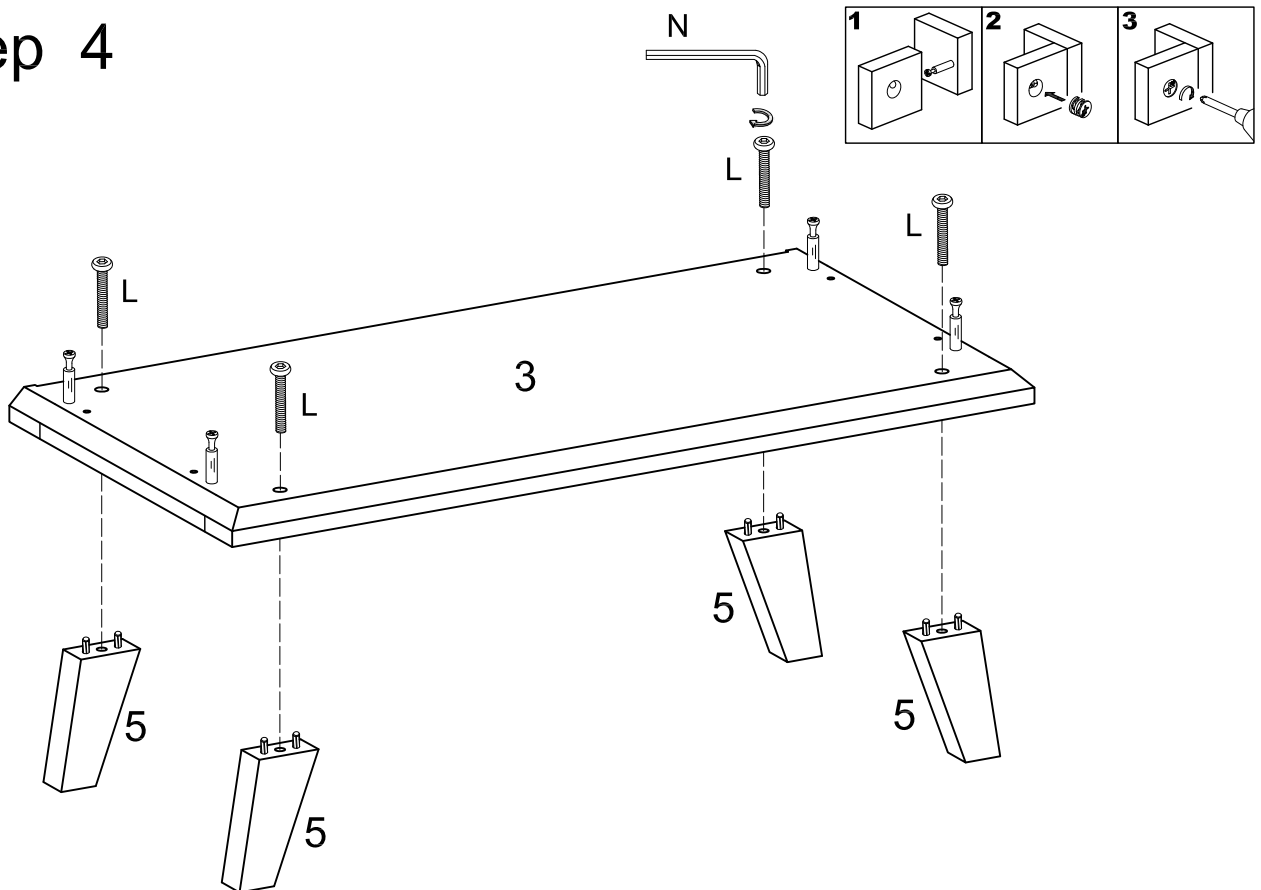
Insert wooden dowels (C) into parts (1) and (2) as shown in the diagram.

Step 3



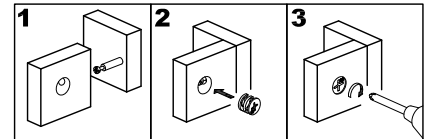
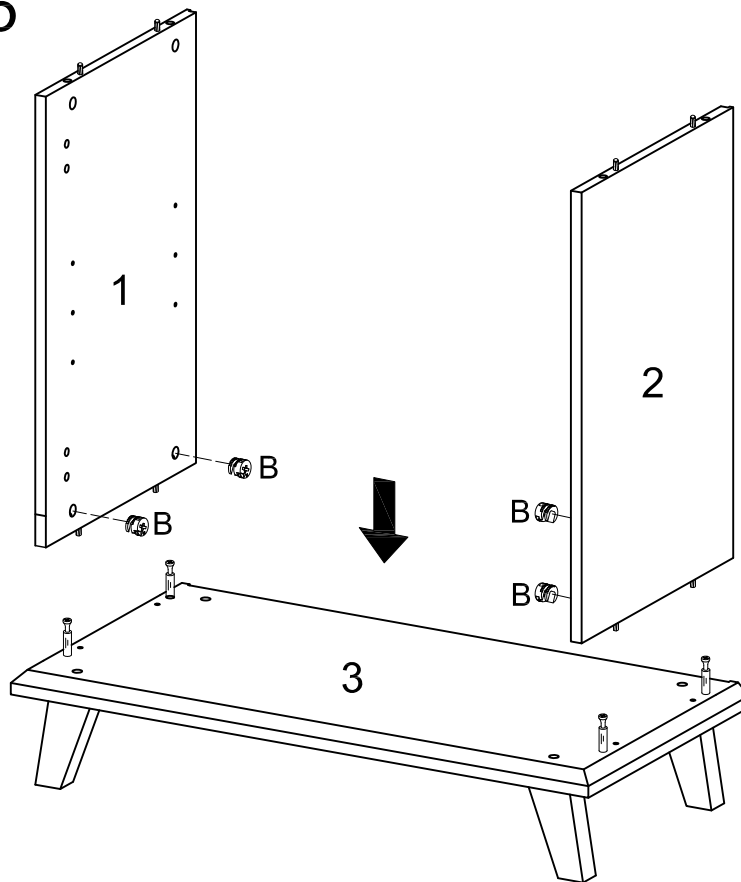
Insert wooden dowels (D) into legs (5) as shown.

Step 4



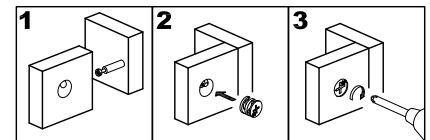
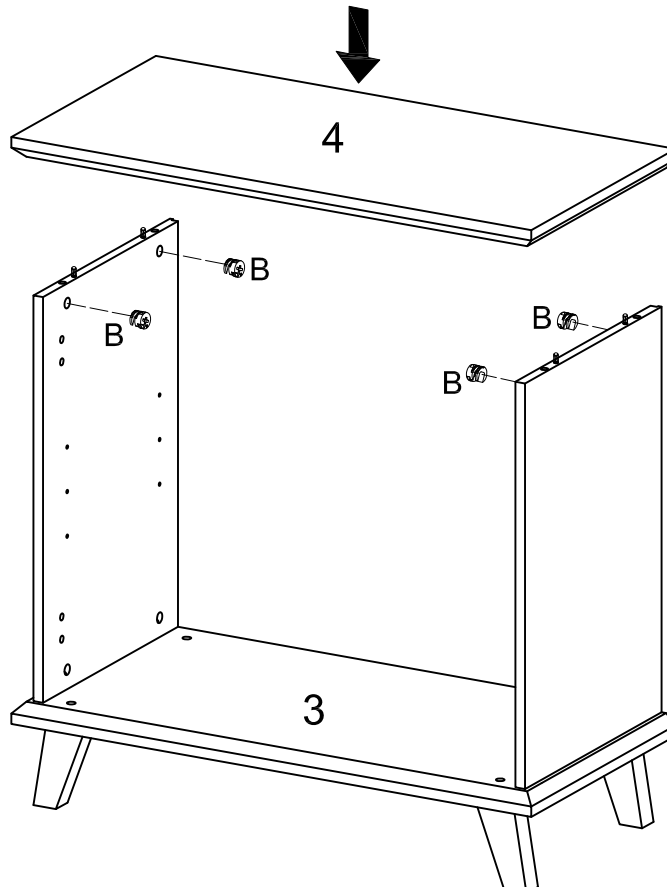
Secure legs (5) to part (3) using bolts (L) .

Step 5



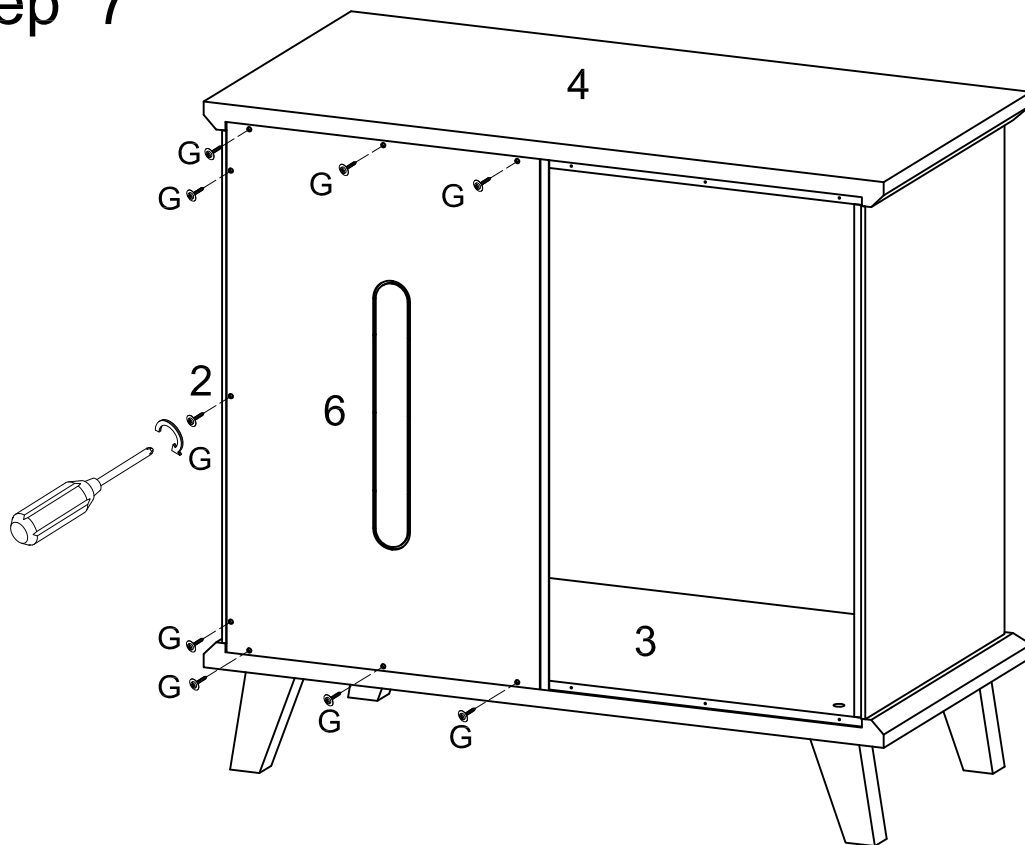
Insert cam locks (B) to parts (1) and (2) and connect to part (3) as shown in the diagram.

Step 6



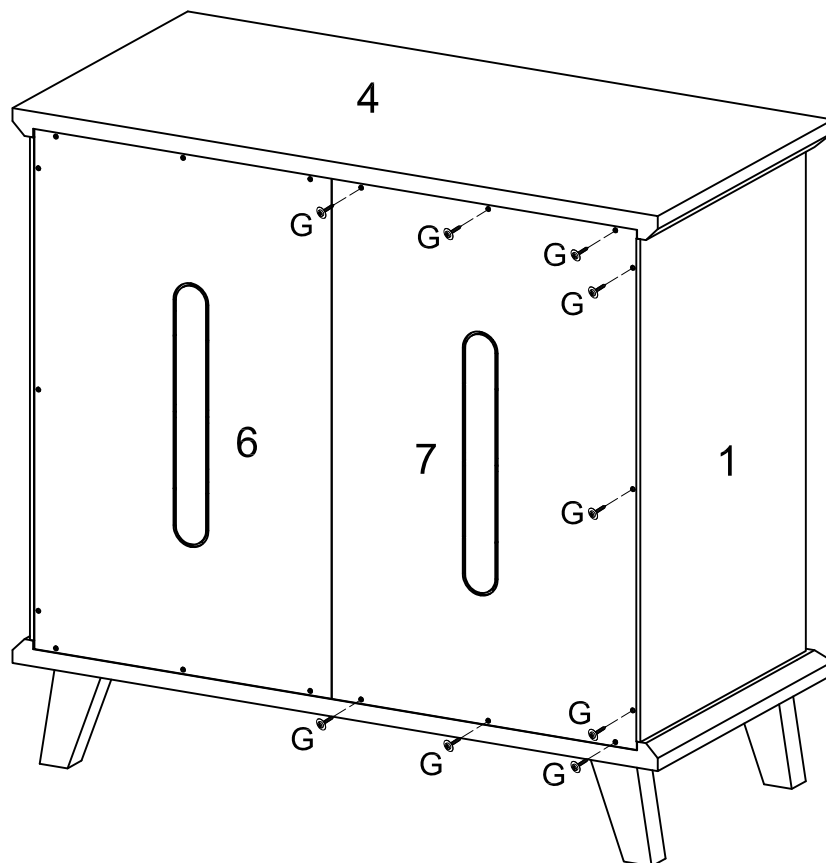
Secure part (4) to frame assembly using cam locks (B) as shown

Step 7



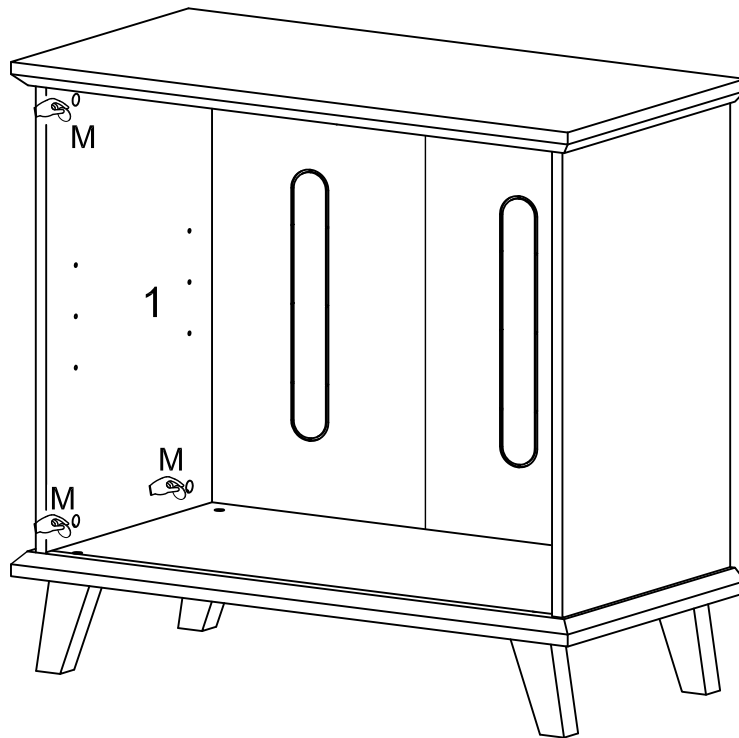
Attach back panel (6) to frame assembly using screws (G).

Step 8



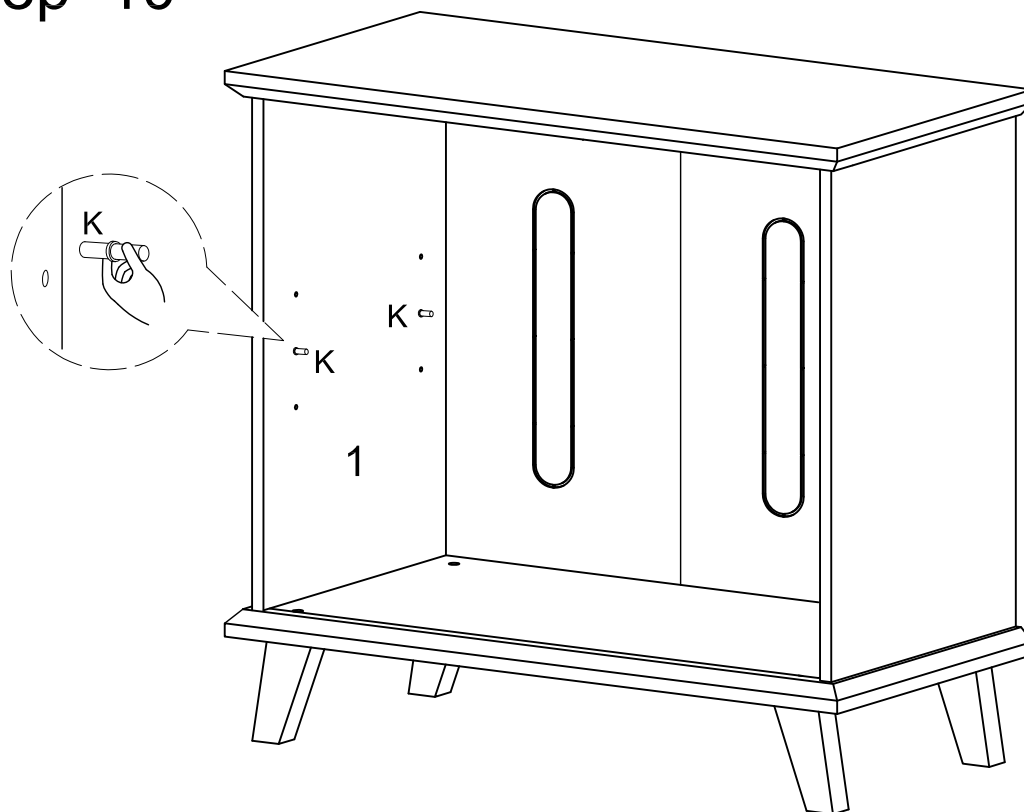
Attach back panel (7) to frame assembly using screws (G).

Step 9



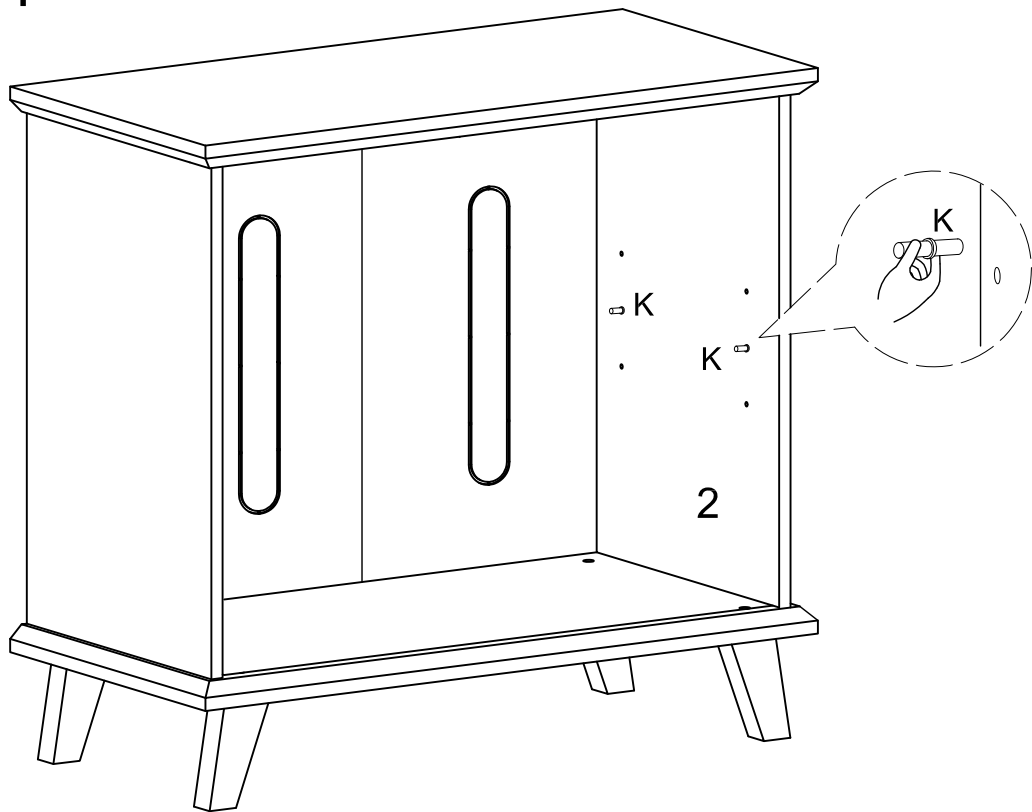
Place stickers (M) in designated areas as shown in the diagram.

Step 10



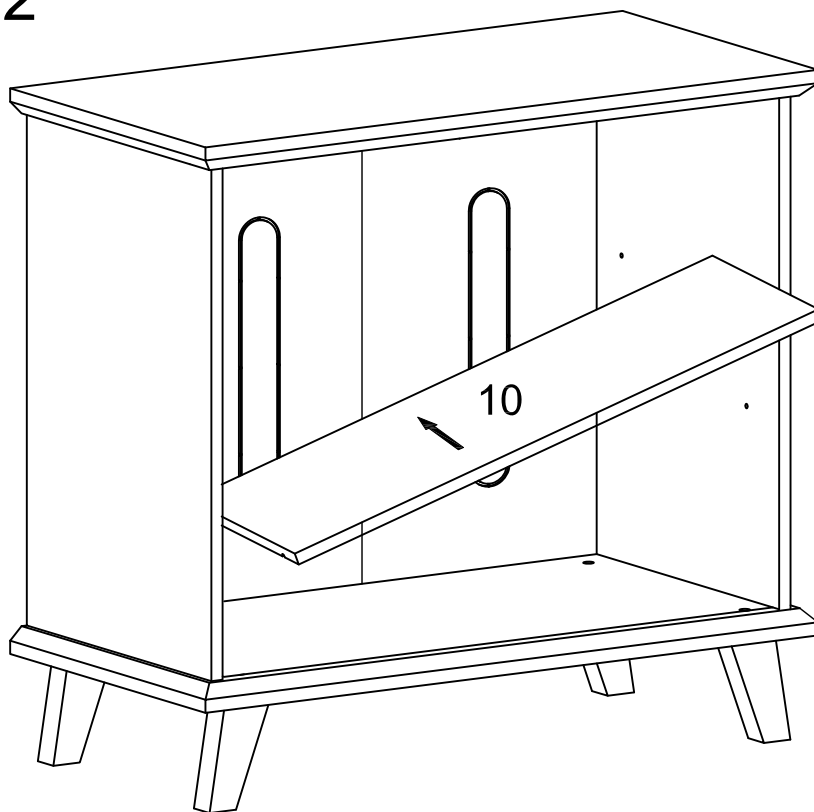
Insert shelf supports (K) as shown in the diagram.

Step 11



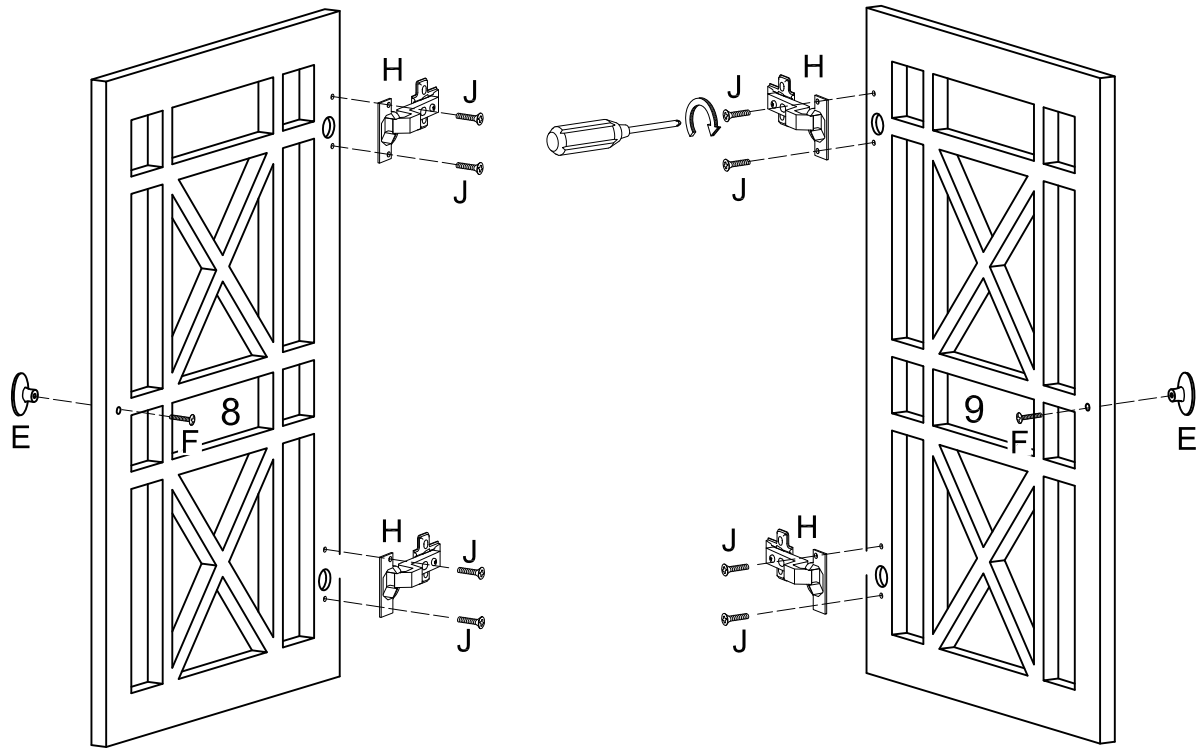
Insert shelf supports (K) as shown in the diagram.

Step 12



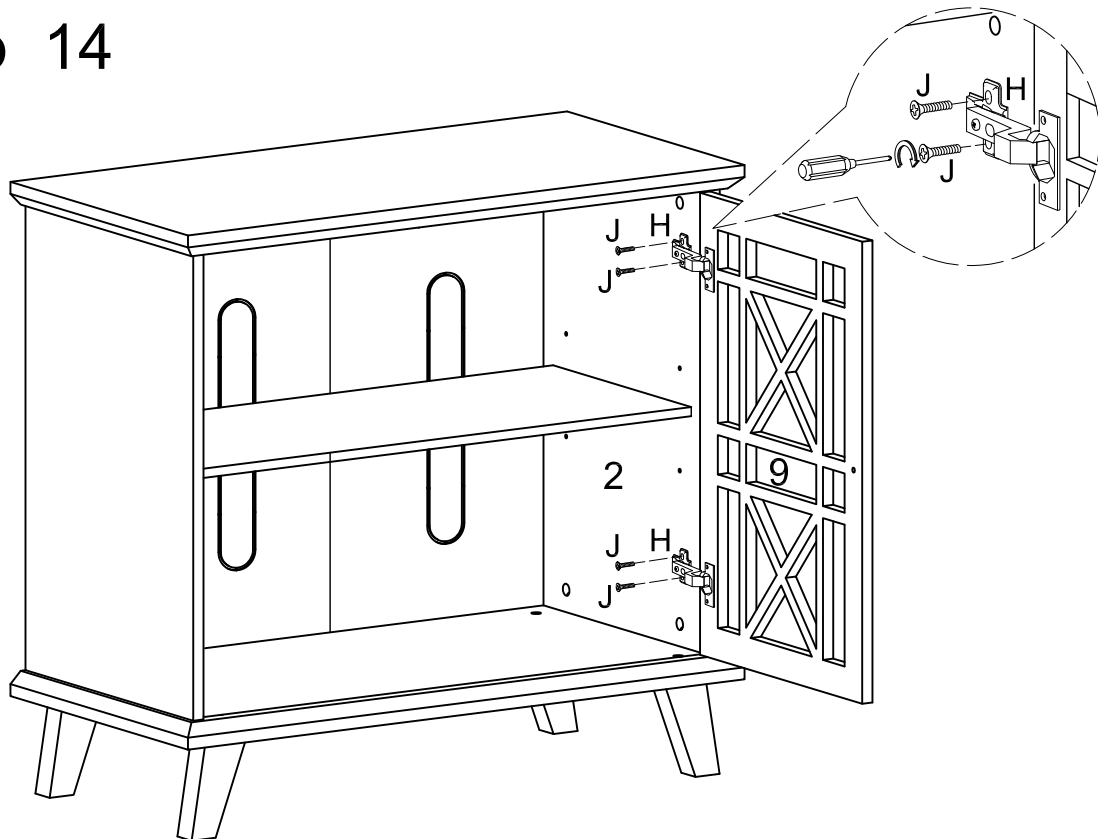
Carefully place shelf (10) onto the shelf supports.

Step 13



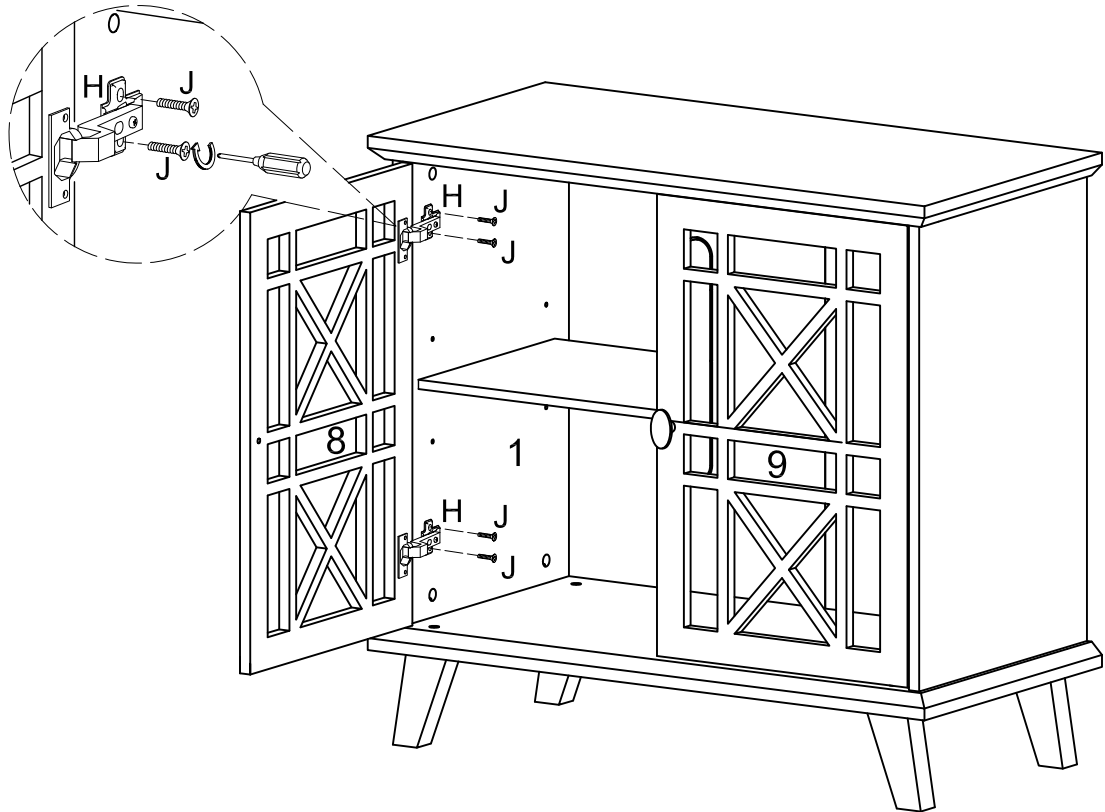
Secure hinges (H) to doors (8) and (9) using screws (J). Attach handles (E) with screws (F).

Step 14



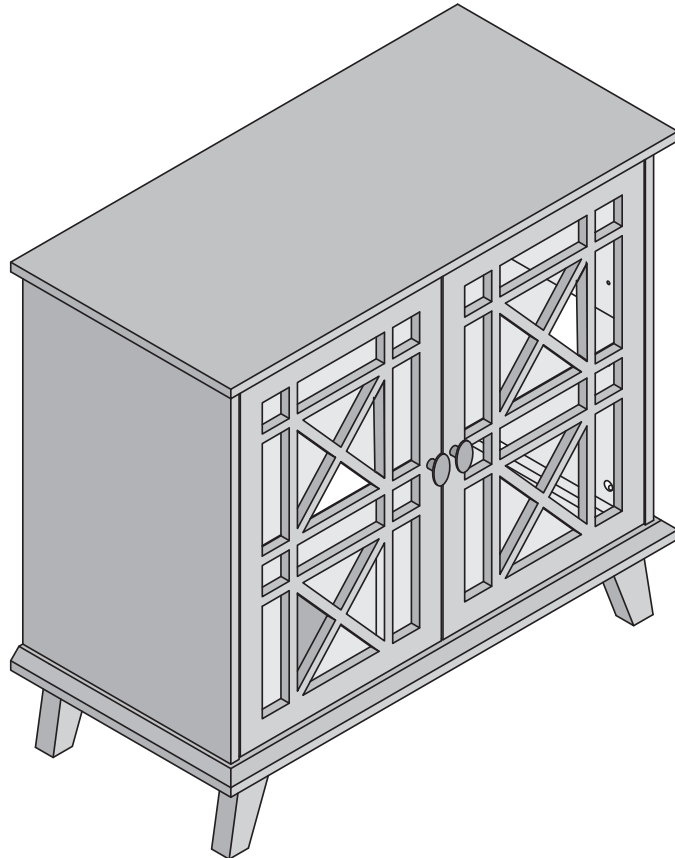
Attach door (9) to assembled frame using screws (J) as shown in the diagram.

Step 15



Attach doors (8,9) to assembled frame using screws (J) as shown in the diagram.

Step 16



Final Assembly