

Description

Low noise ceiling mount ventilating fan rated for continuous running. ENERGY STAR® Most Efficient 2014. HVI, UL and cUL certified to comply with ASHRAE 62.2 local and whole building continuous and intermittent operation. Meets CA Title 24 requirements.

Motor/Blower

- Power rating of 120 volts/60 Hz.
- DC brushless motor engineered to run continuously.
- Motor equipped with thermal cutoff fuse.
- Removable with permanently lubricated plug-in motor

Housing

- Galvanized steel body.
- Detachable 4" diameter metal duct adapter
- Built-in backdraft damper.
- Easy installation with expandable extension bracket

Grille

- Attractive design using ABS material.
- Attaches directly to housing with torsion springs.

Light

- 12-Watt LED light engine included.

Warranty

- 3-year limited warranty.

Feature

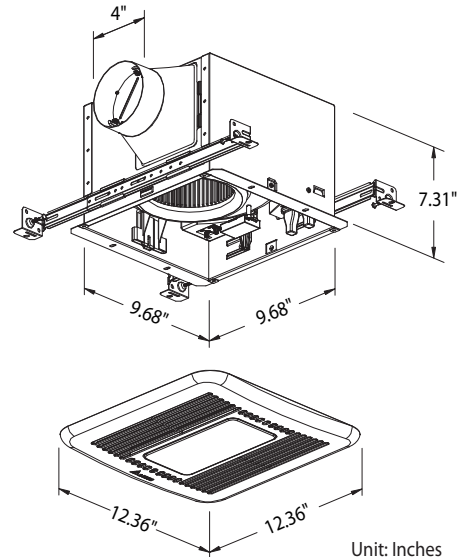
- For ceiling mount only, airflow of 110 CFM (±10%) and 0.5 sones at 0.1" static pressure.
- Power consumption approximately 13.1 Watts with an efficiency rating approximately 8.6 CFM/Watt at 0.1" static pressure.
- Duct diameter no less than 4"
- UL and cUL listed for tub/shower enclosure when used with GFCI-protected branch circuit wiring.

SIG110LED	4" Duct (Standard)	
Static Pressure (inches w.g.)	0.1	0.25
Air Flow (CFM)	110	94
Sones	0.5	0.8
Power Consumption (Watts)	13.1	15.3
Energy Efficiency (CFM/Watt)	8.6	6.3
Current (Amps)	0.38 Max	
Power Rating (V/Hz)	120 / 60	

DC Motor Technology

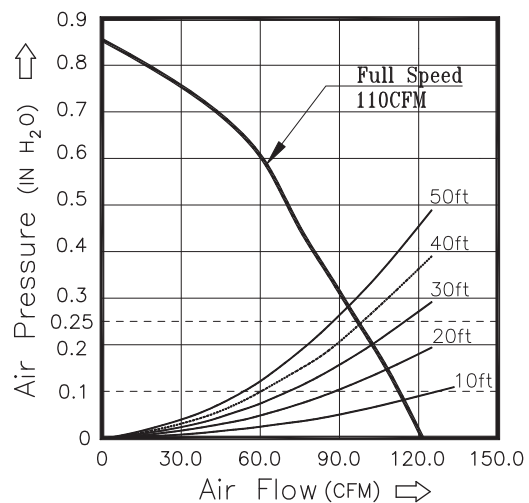
- Built-in soft start function to increase bearings' life.
- Automatically powers OFF when the impeller is locked abnormally.

SIG110LED Dimensions



Unit: Inches

Fan Curve SIG110LED



Model	Quantity	Comments	Project:
			Location:
			Architect:
			Engineer:
			Contractor:
			Submitted by:
			Date: