

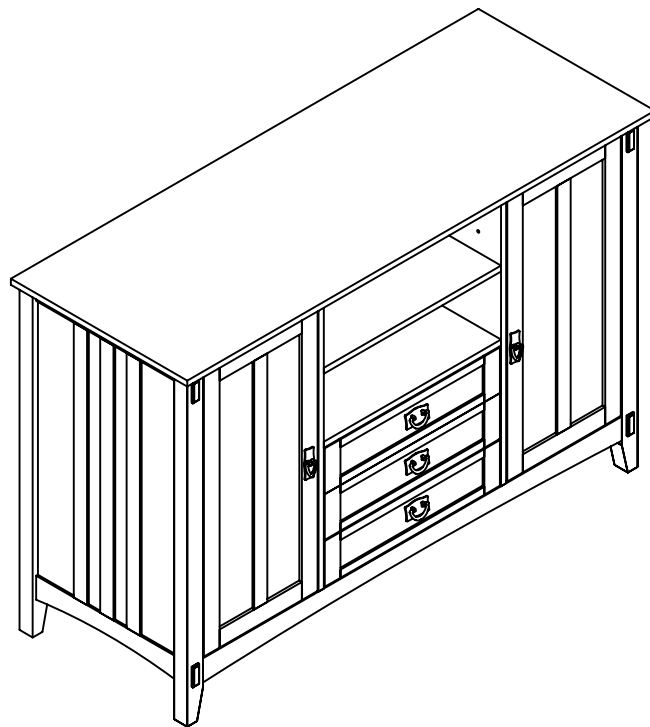
# HOME DECORATORS COLLECTION

SK18512 ARTISAN 3 DRAWER TV CABINET 35"Hx53"Wx20"D

INV#92248

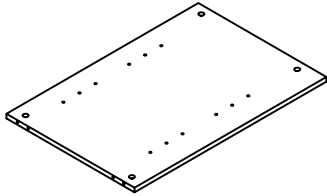
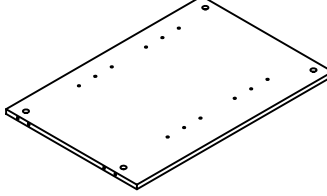
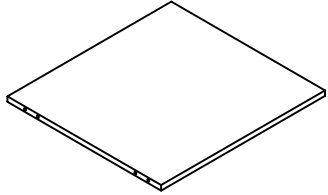
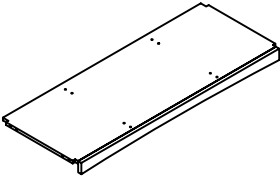
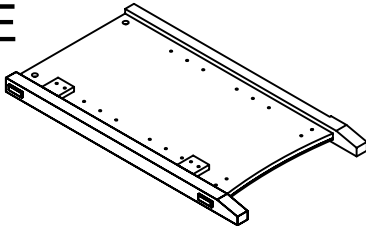
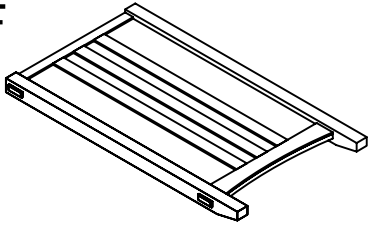
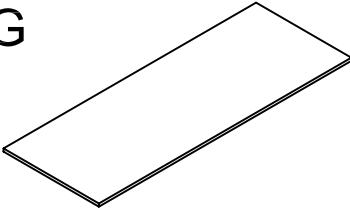
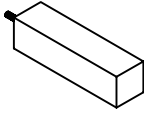
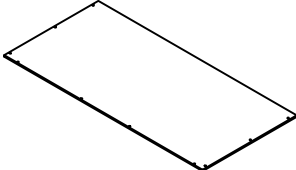
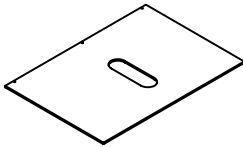
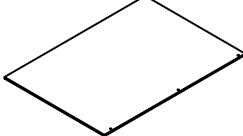
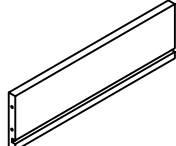
## ASSEMBLY INSTRUCTIONS

Made In China

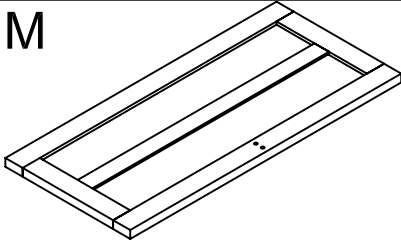


Thank you for purchasing this quality product. Be sure to check all packing material carefully for small parts, which may have come loose inside the carton during shipment. Count all parts and material hardware, then compare with parts list to be sure all parts are present. If any parts are missing or damaged, phone, fax, or mail to our Customer Service Department for efficient and speedy service. Please indicate the model number and code letter of part(s) needed.

**IMPORTANT NOTE:** Follow instructions listed below in proper sequence as numbered to assure fast, easy and correct assembly.

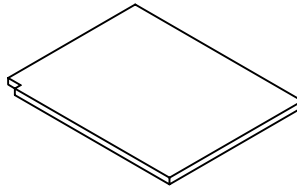
<b>PARTS LIST</b>		
<b>A</b> 	<b>B</b> 	<b>C</b> 
LEFT PARTITION-1PC	RIGHT PARTITION-1PC	FIXED PANEL-1PC
<b>D</b> 	<b>E</b> 	<b>F</b> 
BOTTOM PANEL-1PC	LEFT SIDE PANEL-1PC	RIGHT SIDE PANEL-1PC
<b>G</b> 	<b>H</b> 	<b>I</b> 
TOP PANEL-1PC	FOOT-2PCS	SIDE BACK PANEL-2PCS
<b>J</b> 	<b>K</b> 	<b>L</b> 
MIDDLE UPPER PANEL-1PC	MIDDLE LOWER PANEL-1PC	DRAWER BACK PANEL-3PCS

M



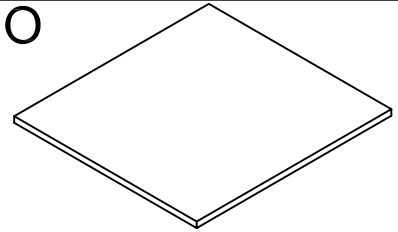
DOOR-2PCS

N



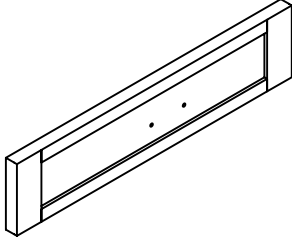
SIDE ADJUSTABLE SHELF  
-4PCS

O



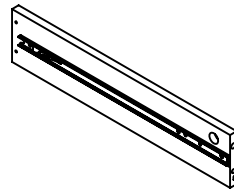
CENTER ADJUSTABLE SHELF  
-1PC

P



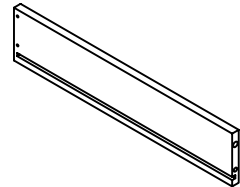
DRAWER FRONT PANEL-3PCS

Q



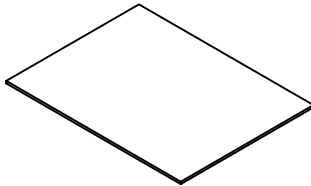
DRAWER LEFT SIDE  
PANEL-3PCS

R




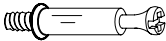



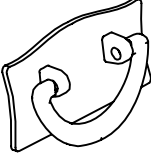


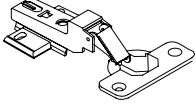


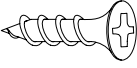
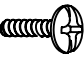





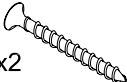
DRAWER RIGHT SIDE  
PANEL-3PCS

S



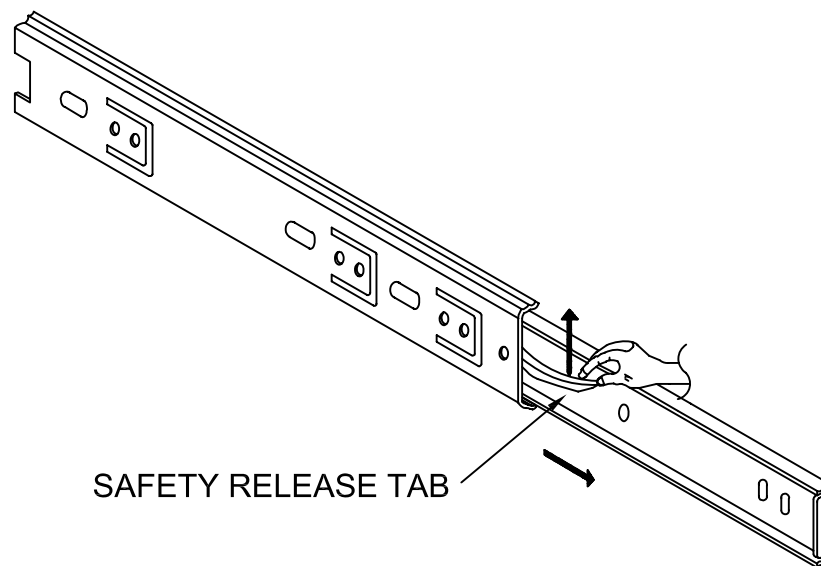
DRAWER BOTTOM  
PANEL-3PCS

NOTE:THE SURFACE WITH THE STICKER IS THE BACK SIDE

<p><b>a</b></p>  <p>WOOD DOWEL-26PCS</p>	<p><b>b</b></p>  <p>CAM LOCK BOLT-26PCS</p>	<p><b>c</b></p>  <p>CAM LOCK-26PCS</p>
<p><b>d</b></p>  <p>5/8"L ROUND HEAD SCREW-37PCS</p>	<p><b>e</b></p>  <p>SHORT PLASTIC COVER-6PCS</p>	<p><b>f</b></p>  <p>HANDLE-3PCS</p>
<p><b>g</b></p>  <p>HANDLE-2PCS</p>	<p><b>h</b></p>  <p>METAL PLATE-11PCS</p>	<p><b>i</b></p>  <p>HINGE-4PCS</p>
<p><b>j</b></p>  <p>SHELF PIN-20PCS</p>	<p><b>k</b></p>  <p>LONG PLASTIC COVER-12PCS</p>	<p><b>l</b></p>  <p>5/8"L FLAT HEAD SCREW-16PCS</p>
<p><b>m</b></p>  <p>HANDLE BOLT-10PCS</p>	<p><b>n</b></p>  <p>1" FLAT HEAD SCREW-12PCS</p>	
<p><b>ANTI-TIPPING HARDWARE PACKAGE</b></p> <div style="display: flex; justify-content: space-around; align-items: flex-start;"> <div style="text-align: center;"> <p><b>1</b></p>  <p>x4 RECTANGLE METAL PLATE</p> </div> <div style="text-align: center;"> <p><b>2</b></p>  <p>x2 1/2"L FLAT HEAD SCREW</p> </div> <div style="text-align: center;"> <p><b>3</b></p>  <p>x2 PLASTIC ANCHOR</p> </div> <div style="text-align: center;"> <p><b>4</b></p>  <p>x2 PLASTIC BAND</p> </div> <div style="text-align: center;"> <p><b>5</b></p>  <p>x2 1-1/2"L FLAT HEAD SCREW</p> </div> </div>		

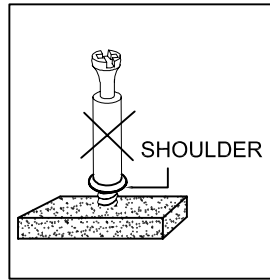
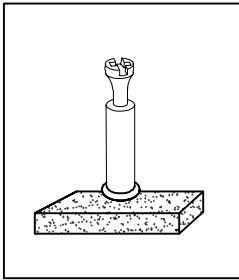
NOTE:THE SURFACE WITH THE STICKER IS THE BACK SIDE

## HOW TO SEPARATE GLIDES



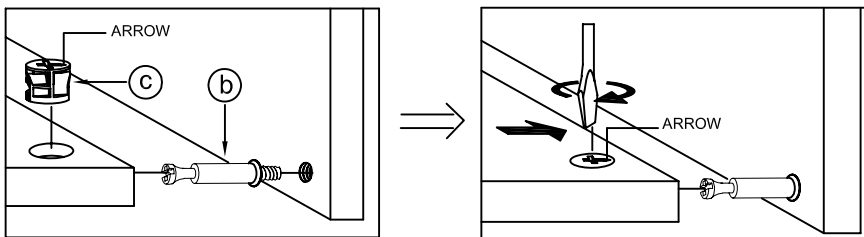
PRIOR TO ASSEMBLY, WE SUGGEST SEPARATING THE INNER GLIDES FROM THE OUTER-GLIDES, SIMPLY PULL THE LEFT/RIGHT INNER GLIDES FROM THE OUTER GLIDES EXPOSING A SMALL BLACK SAFETY RELEASE TAB, BY PUSHING THE SAFETY RELEASE TAB. YOU WILL BE ABLE TO SEPARATE THE GLIDES.

NOTE: • UPON OPENING, THOROUGHLY CLEAN ALL WOOD SURFACES TO REMOVE DUST AND DIRT THAT MAY HAVE SETTLED ONTO THE FINISH DURING SHIPMENT. IN ORDER TO PREVENT DAMAGE DURING ASSEMBLY. PLEASE ASSEMBLE THIS ITEM WITH AT LEAST TWO PEOPLE.



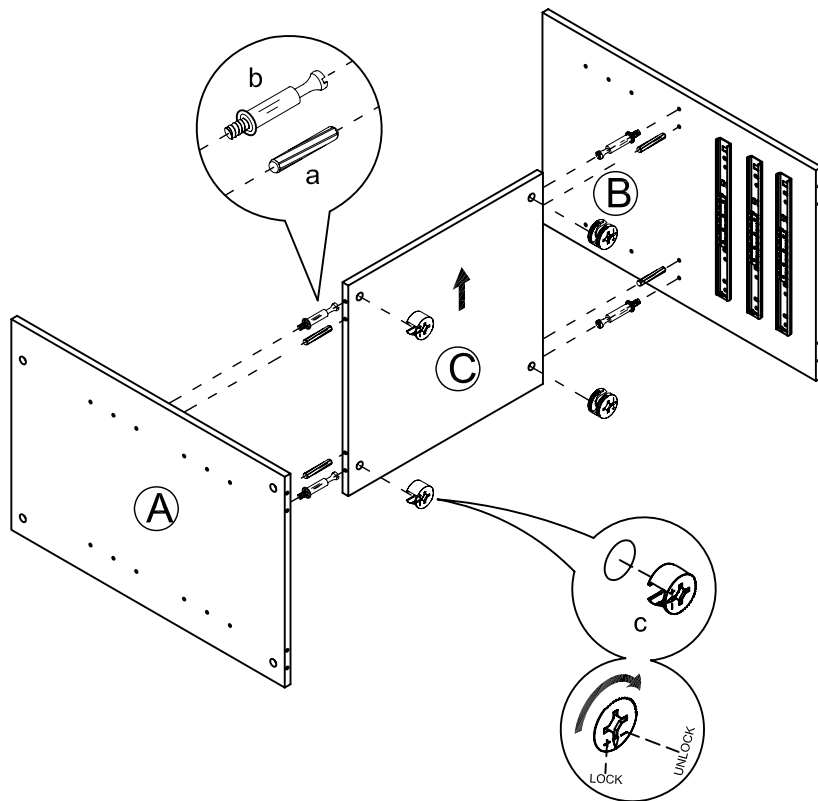
NOTE: TURN THE CAM-BOLT SCREWS UNTIL THEY ARE TIGHT, THE SHOULDER SHOULD BE AGAINST THE SURFACE OF THE PART.

## HOW TO USE THE CAM-TOOL



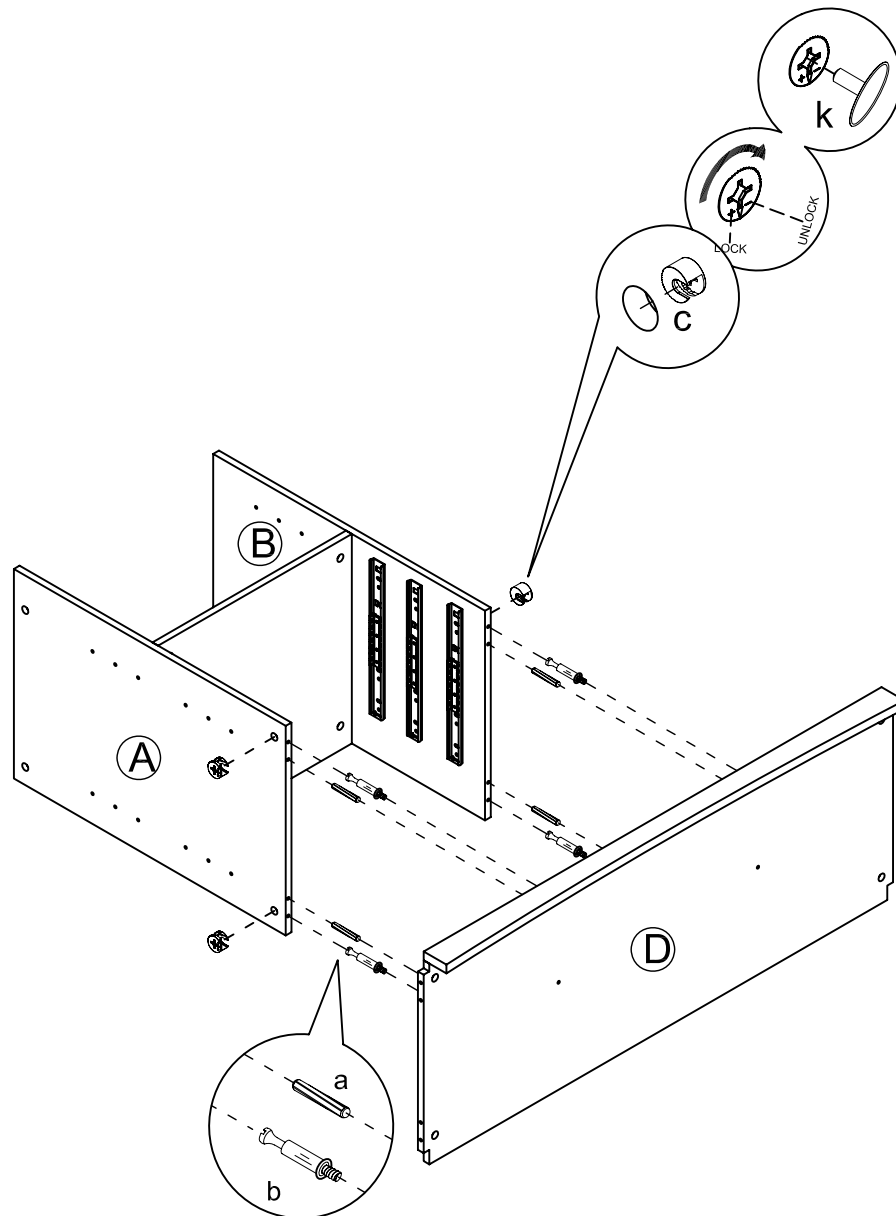
NOTE: • THE ARROWS ON THE HIDDEN CAM-LOCKS SHOULD POINT TO THE CAM-BOLTS.

# FIG 1



- INSTALL THE WOOD DOWEL (a) AND THE CAM LOCK BOLT (b) INTO THE LEFT PARTITION (A) AND THE RIGHT PARTITION (B).
- JOIN THE LEFT PARTITION (A) AND THE RIGHT PARTITION (B) TO THE FIXED PANEL (C) BY USING THE WOOD DOWEL (a) FIRST.
- ONCE JOINED, TIGHTEN CAM LOCK (c) ONTO CAM LOCK BOLT (b) USING PRE-DRILLED HOLES.

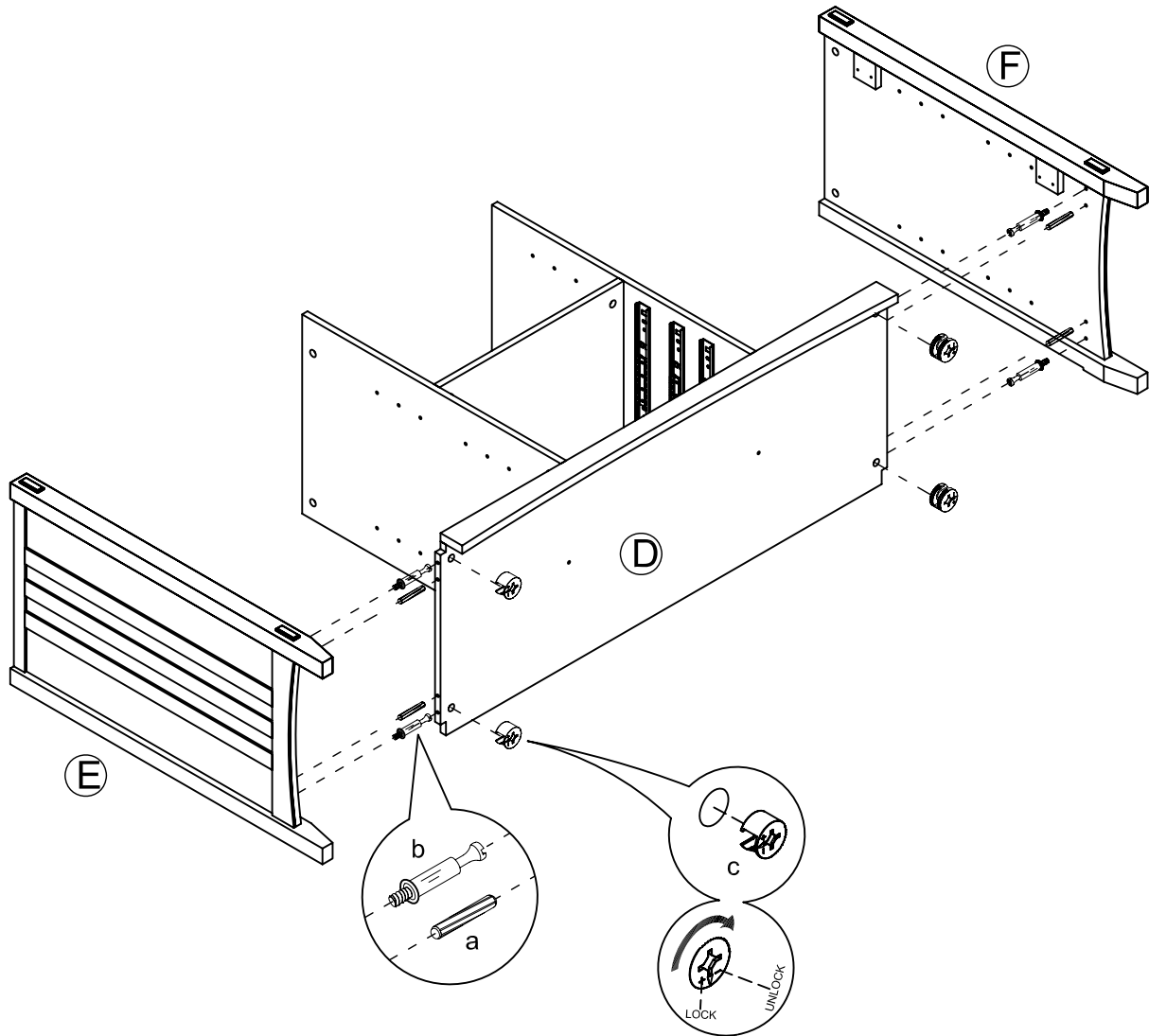
# FIG 2



- INSTALL THE WOOD DOWEL (a) AND THE CAM LOCK BOLT (b) INTO THE BOTTOM PANEL (D).
- JOIN THE BOTTOM PANEL (D) TO THE ASSEMBLED PART BY USING THE WOOD DOWEL (a) FIRST.
- ONCE JOINED, TIGHTEN CAM LOCK (c) ONTO CAM LOCK BOLT (b) USING PRE-DRILLED HOLES.
- COVER CAM HOLES WITH THE LONG PLASTIC COVER (k).

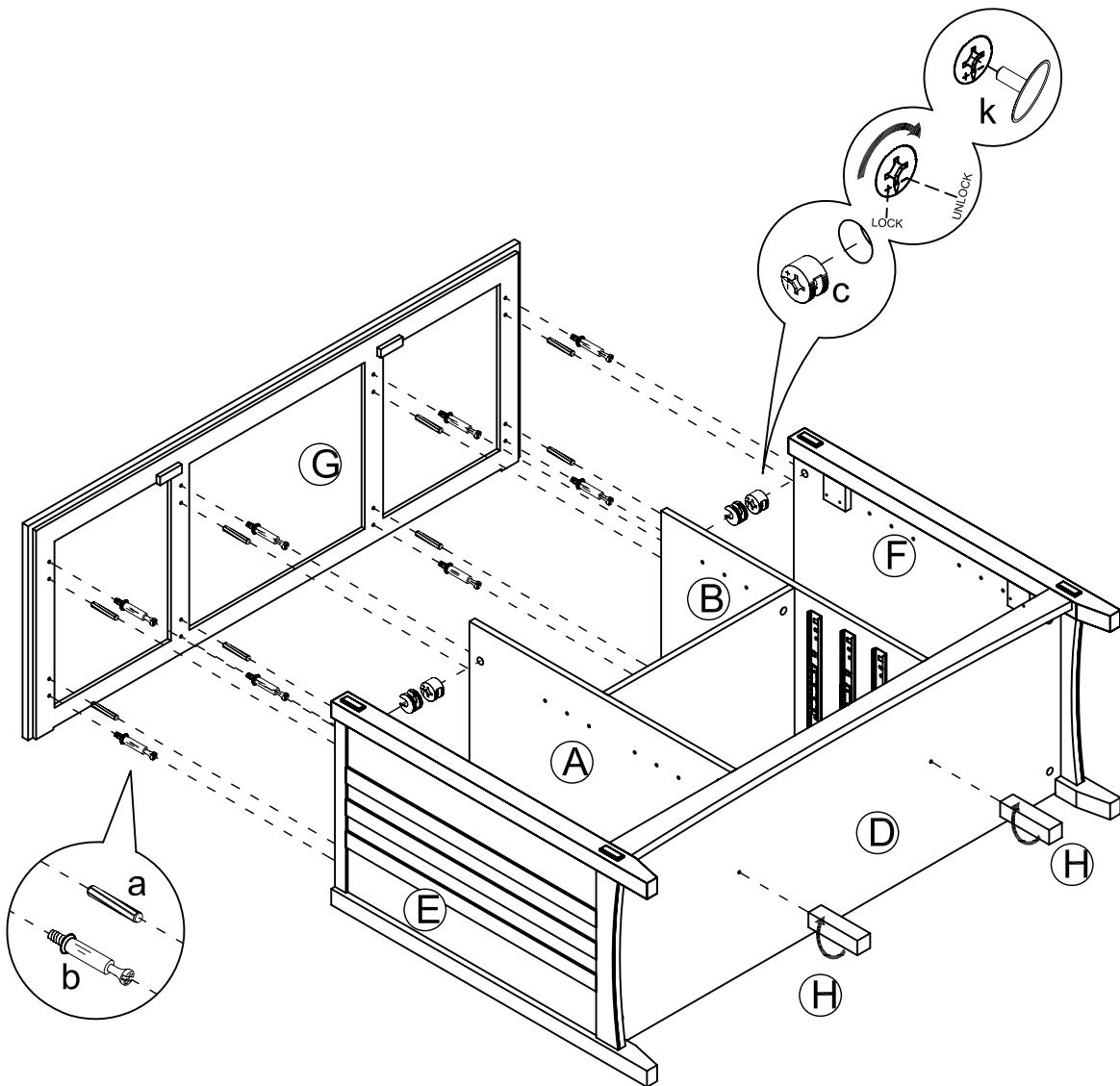


# FIG 3



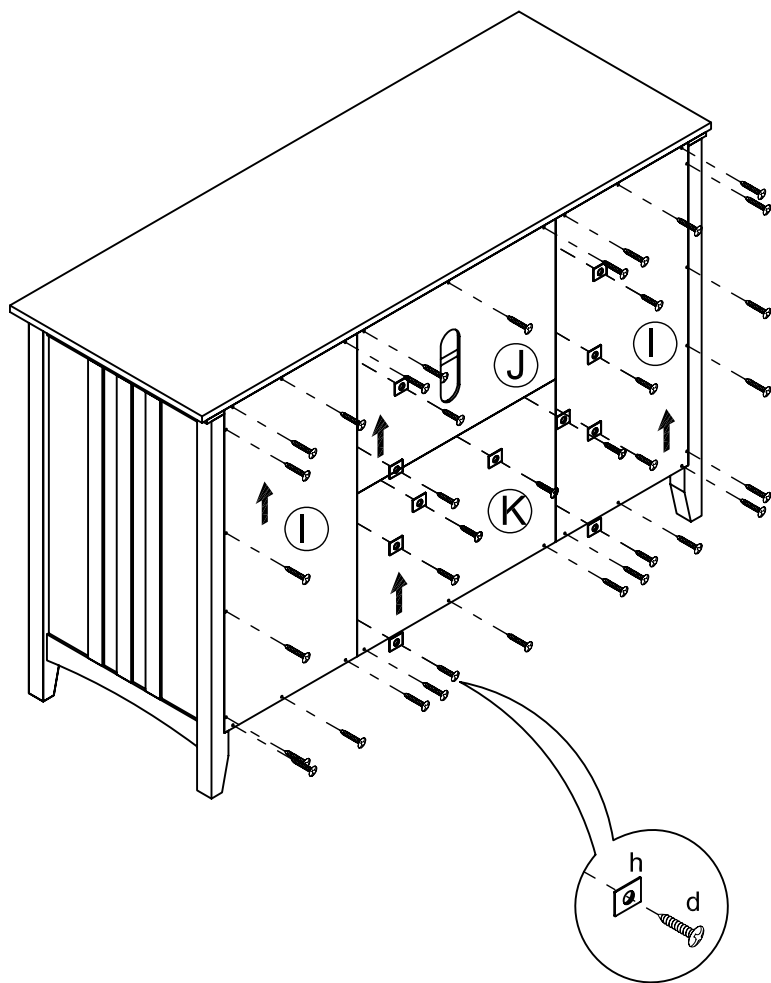
- INSTALL THE WOOD DOWEL (a) AND THE CAM LOCK BOLT (b) INTO THE LEFT SIDE PANEL (E) AND THE RIGHT SIDE PANEL (F).
- JOIN THE LEFT SIDE PANEL (E) AND THE RIGHT SIDE PANEL (F) TO THE ASSEMBLED PART BY USING THE WOOD DOWEL (a) FIRST.
- ONCE JOINED, TIGHTEN CAM LOCK (c) ONTO CAM LOCK BOLT (b) USING PRE-DRILLED HOLES.

# FIG 4



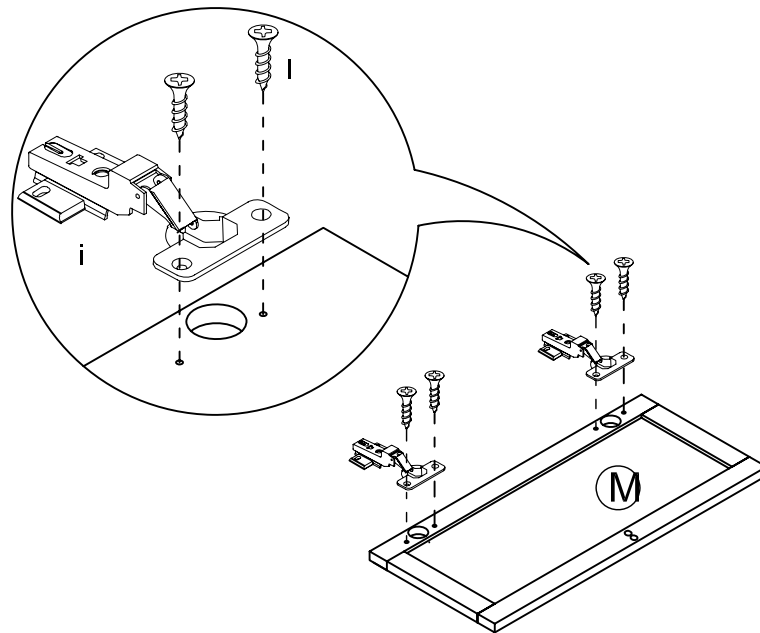
- INSTALL THE WOOD DOWEL (a) AND THE CAM LOCK BOLT (b) INTO THE TOP PANEL (G) .
- JOIN THE TOP PANEL (G) TO THE ASSEMBLED PART BY USING THE WOOD DOWEL (a) FIRST.
- ONCE JOINED, TIGHTEN CAM LOCK (c) ONTO CAM LOCK BOLT (b) USING PRE-DRILLED HOLES.
- COVER CAM HOLES WITH THE LONG PLASTIC COVER (k).
- TIGHTEN THE FEET (H) TO THE BOTTOM PANEL (D) AS SHOWN.

# FIG 5



- TIGHTEN THE SIDE BACK PANEL (I) , THE MIDDLE UPPER BACK PANEL (J) ,AND THE MIDDLE LOWER BACK PANEL (K) ,AND THE METAL PLATE (h) TO THE ASSEMBLED PART BY USING THE 5/8" ROUND HEAD SCREW (d).

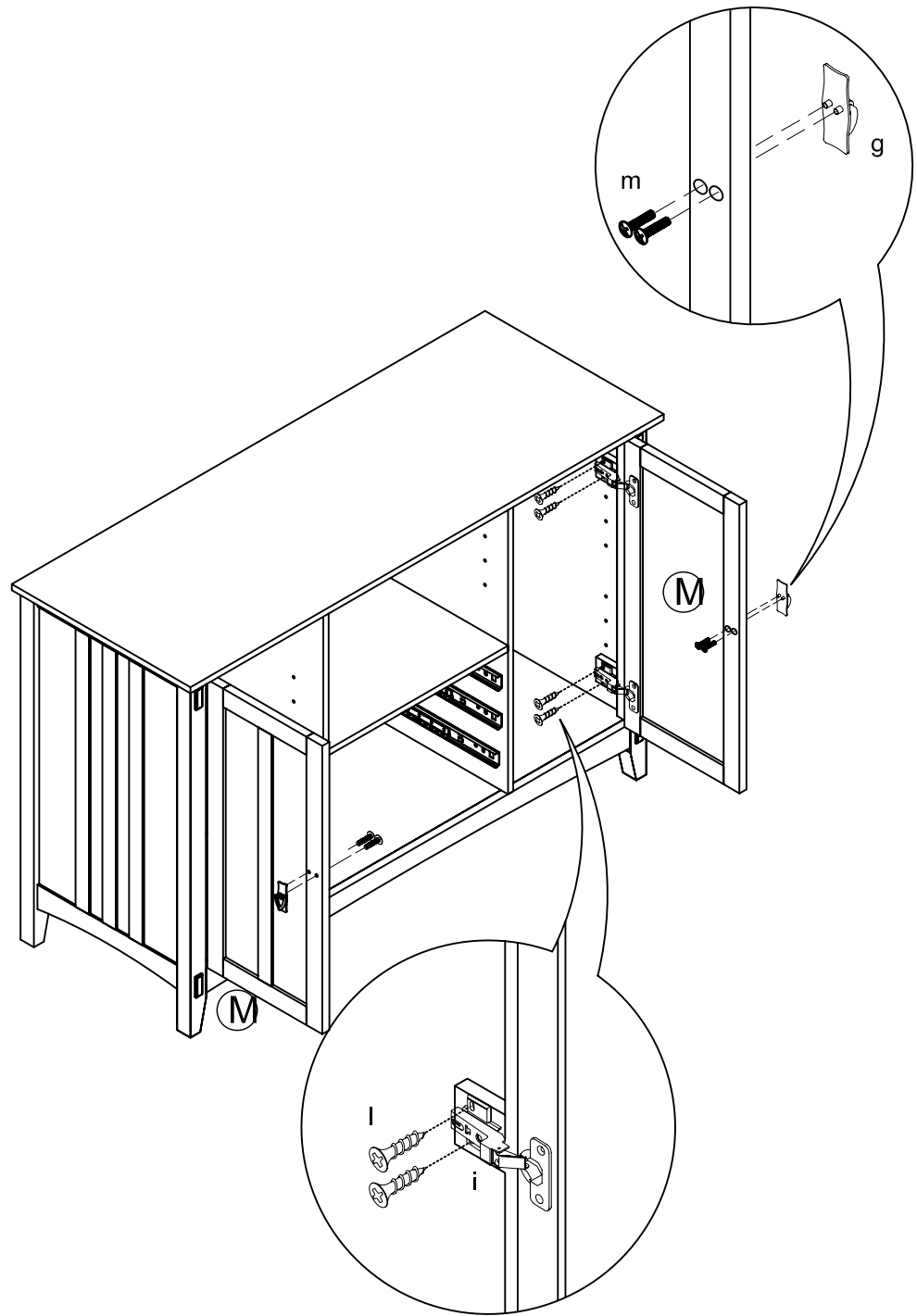
FIG 6



X2

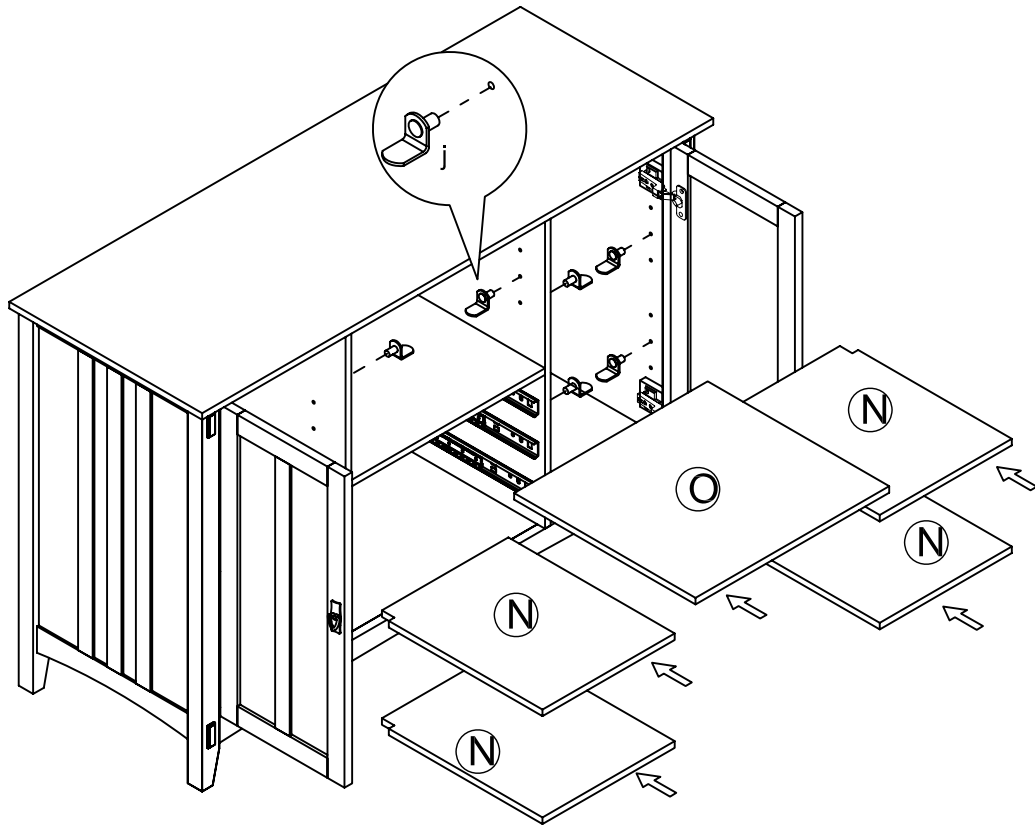
- TIGHTEN THE HINGE (i) INTO THE DOOR (M) BY USING THE 5/8\"L FLAT HEAD SCREW (l).

FIG 7



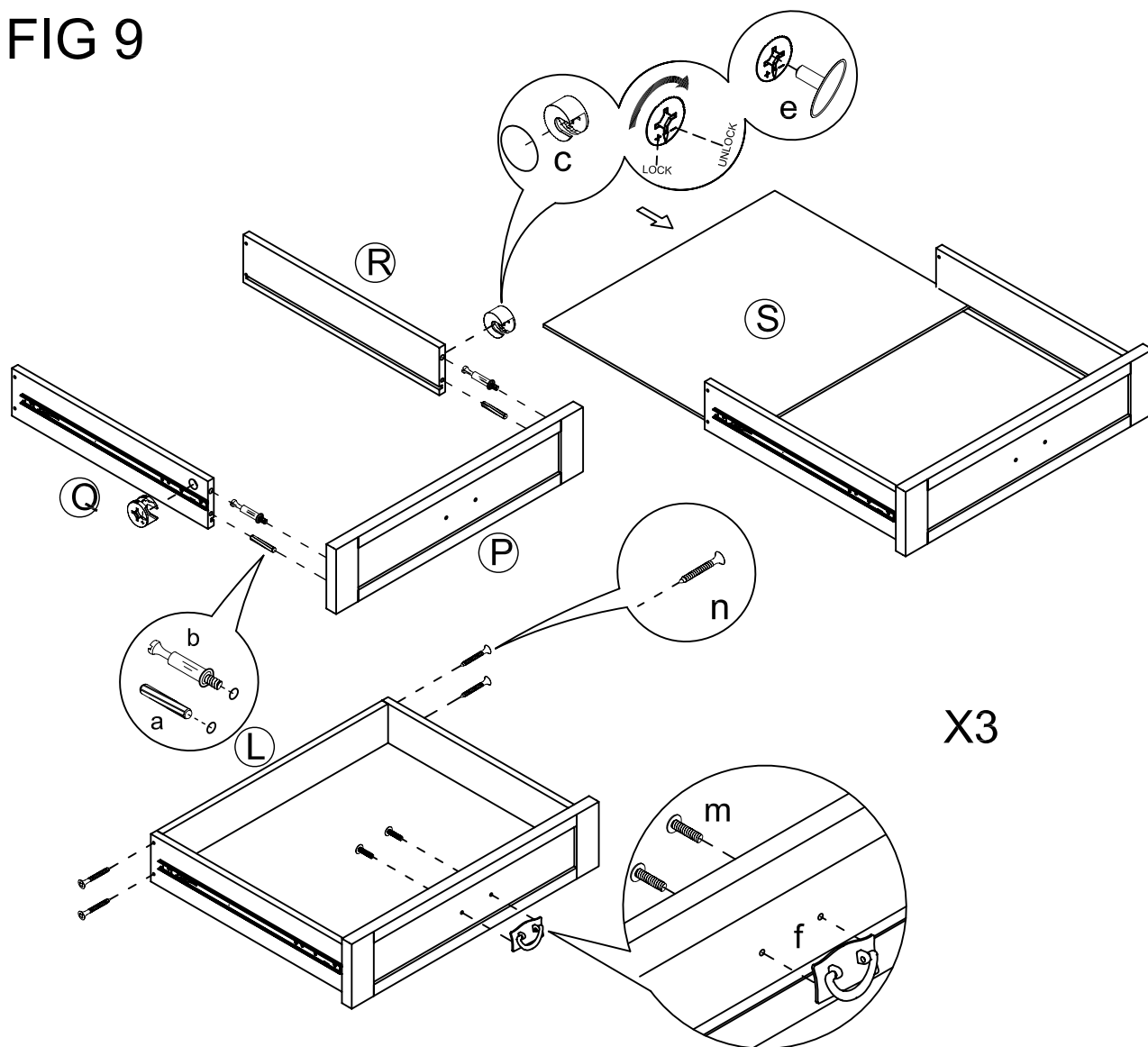
- ATTACH THE DOOR (M) TO THE ASSEMBLED PART BY USING THE 5/8" L FLAT HEAD SCREW (I).
- TIGHTEN THE HANDLE (g) TO THE DOOR (M) BY USING THE HANDLE BOLT (m).

FIG 8



- PLACE THE SHELF PIN (j) INTO DESIRED POSITION AND PLACE THE SIDE ADJUSTABLE SHELF (N) AND THE CENTER ADJUSTABLE SHELF (O) ABOVE THE SHELF PIN (j).

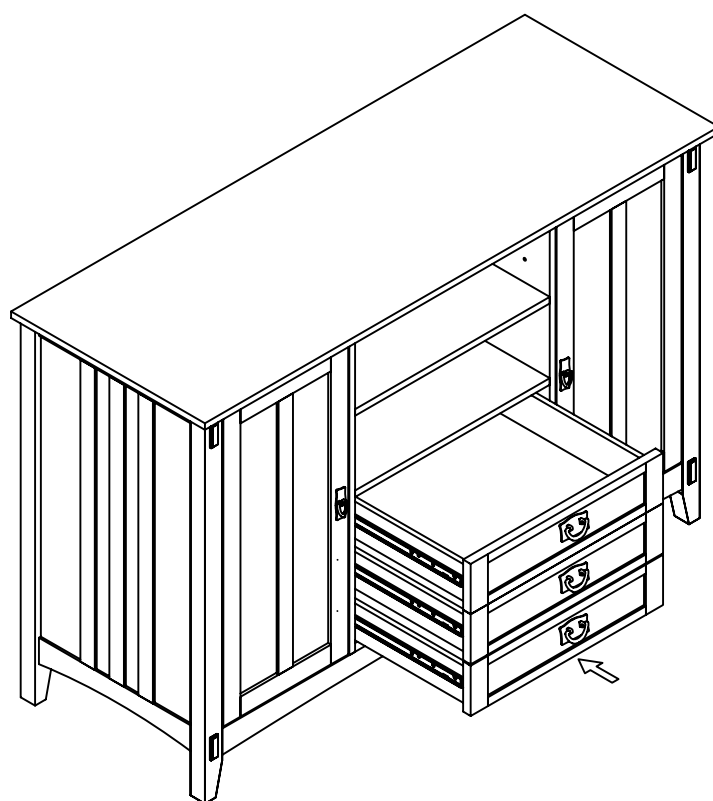
# FIG 9



X3

- INSTALL THE WOOD DOWEL (a) AND THE CAM LOCK BOLT (b) INTO THE DRAWER FRONT PANEL (P).
- JOIN THE DRAWER LEFT SIDE PANEL (Q) AND THE DRAWER RIGHT SIDE PANEL (R) TO THE DRAWER FRONT PANEL (P).
- ONCE JOINED, TIGHTEN CAM LOCK (c) ONTO CAM LOCK BOLT (b) USING PRE-DRILLED HOLES.
- COVER CAM HOLES WITH THE SHORT PLASTIC COVER (e).
- SLIDE THE DRAWER BOTTOM PANEL (S) INTO THE GROOVES ON THE DRAWER LEFT SIDE PANEL (Q) AND THE DRAWER RIGHT SIDE PANEL (R).
- JOIN THE DRAWER BACK PANEL (L) TO THE ASSEMBLED DRAWER PART AND TIGHTEN THE DRAWER BACK PANEL (L) BY USING THE 1" FLAT HEAD SCREW (n) THROUGH THE PRE-DRILLED HOLES ON THE SIDE PANELS.
- TIGHTEN THE HANDLE (f) TO THE DRAWER FRONT PANEL (P) BY USING THE HANDLE BOLT (m).
- REPEAT STEPS ABOVE FOR THE OTHER TWO DRAWERS.

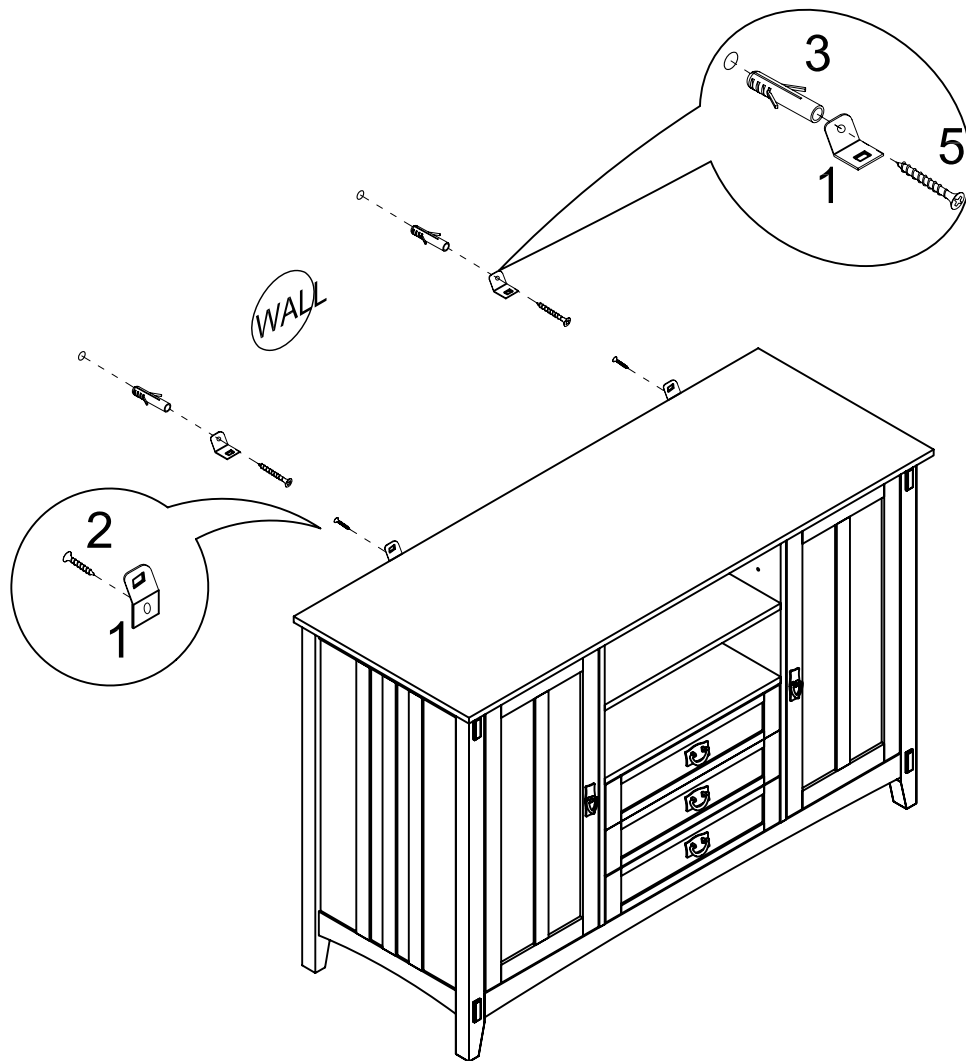
FIG 10



- INSERT DRAWERS INTO THE ASSEMBLED UNIT.

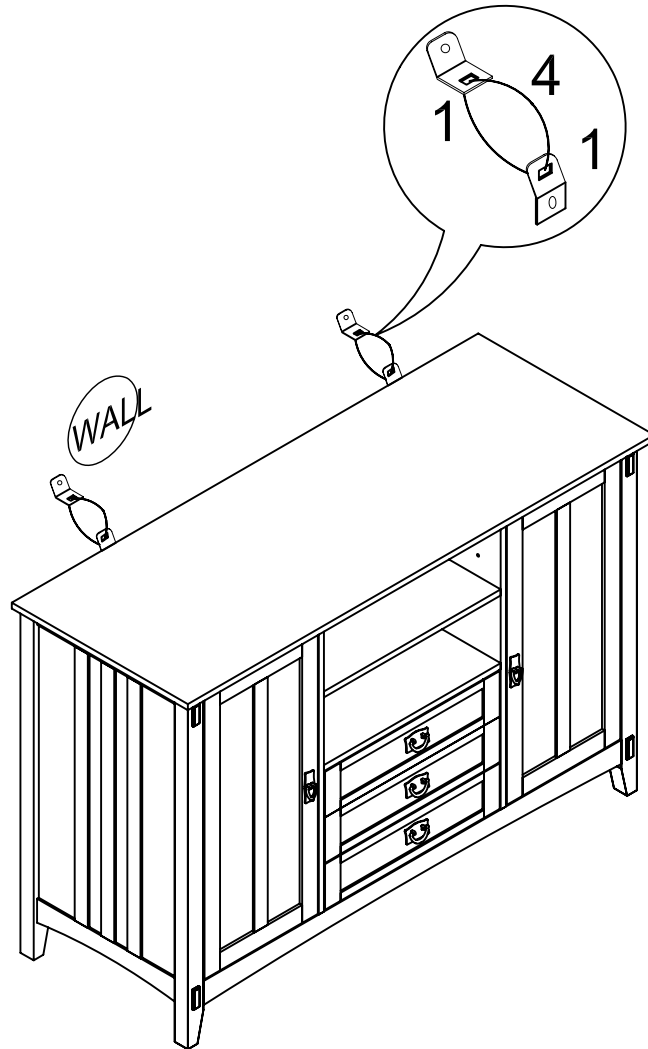


# FIG 11



- TIGHTEN THE RECTANGLE METAL PLATE (1) TO THE REAR OF THE TOP PANEL (G) BY USING 1/2" FLAT HEAD SCREW (2).
- PLACE THE ASSEMBLED TV CABINET AT THE DESIRED POSITION. MARK THE INSERTION POINTS FOR THE PLASTIC ANCHOR (3).
- USING THE PROPER HARDWARE FOR YOUR WALL TYPE, DRILL 1/4" HOLES INTO THE WALL.
- TIGHTEN THE RECTANGLE METAL PLATE (1) TO THE PLASTIC ANCHOR (3) BY USING THE 1-1/2" FLAT HEAD SCREW (5).

FIG 12



- USING THE PLASTIC BAND (4) CONNECT TWO RECTANGLE METAL PLATES (1).