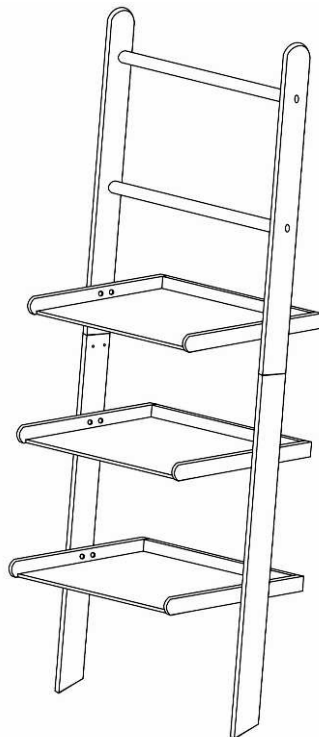




ASSEMBLY INSTRUCTIONS



RiverRidge® LADDER SHELF

ITEM#:06-035 White

ITEM#:06-036 Espresso

ADULT ASSEMBLY REQUIRED

This product requires assembly by an adult because of the small parts. Care should be taken in unpacking and assembling this item to keep the small parts away from children.

WARNING

Young children can be seriously injured or killed, if furniture tips over.
Don't use this item for a TV stand.
Use angle-braces or anchors to secure furniture to the wall.

Send requests for missing or damaged parts replacements by email to :

customer.service@ssi-rr.com or call toll free 1-(844)-223-5201 or order parts on line at www.riverridgehome.com

THIS SHELF UNIT WILL HOLD UP TO 12 POUNDS PER SHELF OR A TOTAL OF 36 POUNDS. DO NOT LOAD EACH SHELF WITH MORE THAN 12 POUNDS. IF LOADED WITH MORE THAN 12 POUNDS PER SHELF AS THIS MAY CAUSE DAMAGE TO THE SHELF AND MAY CAUSE SERIOUS INJURY OR DEATH.

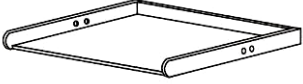
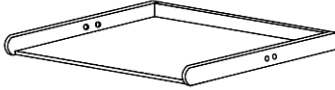
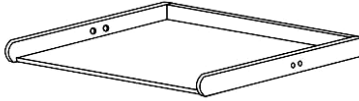
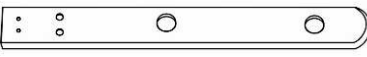
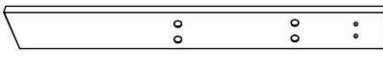
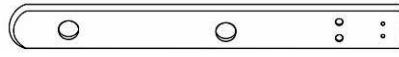
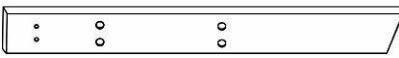
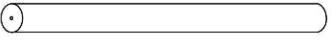
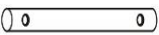







WARNING

SERIOUS OR FATAL INJURIES CAN OCCUR FROM FURNITURE TIP-OVER. TO HELP PREVENT TIP-OVER:

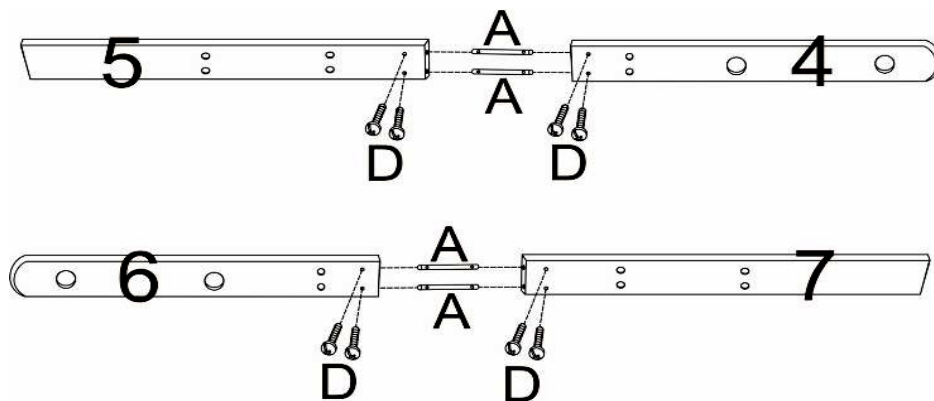
- **Always use tip over restraints and/or wall anchors to secure furniture to the wall**
- **Place heaviest items in the lowest drawers/bins or shelves.**
- **Do not set TV's or other heavy objects on the top of this product.**
- **Never allow children to climb or hang on to the drawers/bins, doors or shelves of furniture**
- **Never open more than one drawer at a time or defeat or remove any drawer interlock system**

PARTS LIST

1		1PC	TOP SHELF
2		1PC	SECOND SHELF
3		1PC	THIRD SHELF
4		1PC	LEFT UPPER SIDE PANEL
5		1PC	LEFT LOWER SIDE PANEL
6		1PC	RIGHT UPPER SIDE PANEL
7		1PC	RIGHT LOWER SIDE PANEL
8		2PCS	CROSS BAR
A		4PCS	METAL CONNECTION BAR
B		12PCS	SCREW 6x20mm
C		4PCS	LONG SCREW 4x35mm
D		8PCS	SHORT SCREW 4x12mm
E		2PCS	ANCHOR SCREW 4x40mm
F		2PCS	PLASTIC ANCHOR

**TOOLS NEEDED FOR ASSEMBLY: FLAT & PHILIPS SCREWDRIVER (NOT INCLUDED)
THE USE OF POWER SCREWDRIVER IS NOT RECOMMENDED**

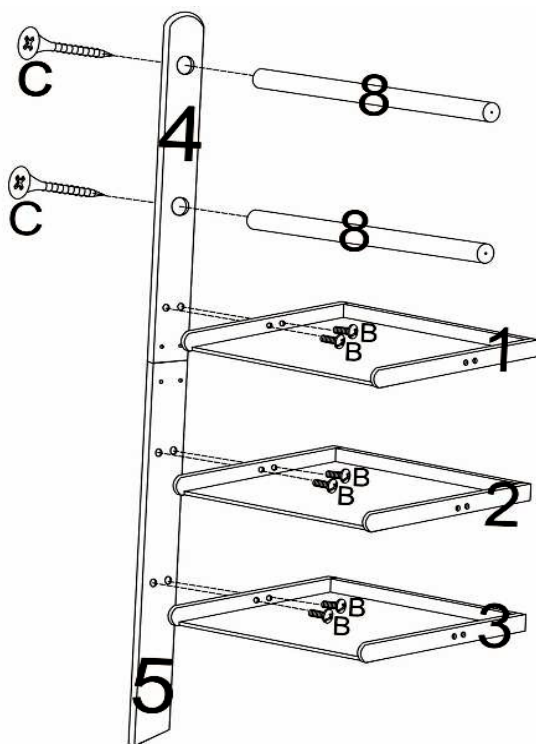
STEP 1



STEP-1:

1. Insert 2 Metal Connection Bars (A) into the holes on the end of Left Upper Side Panel (4), make sure the hole on the Metal Connection Bar (A) is towards the hole on the Left Upper Side Panel (4).
2. Insert 2 screws (D) through the holes on the Left Upper Side Panel (4) and tighten to Metal Connection Bar (A).
3. Attach Left Lower Side Panel (5) to Left Upper Side Panel (4) by inserting the Metal Connection Bar (A) into the holes on end of Left Lower Side Panel (5), make sure the hole on the Metal Connection Bar (A) is towards the hole on the Left Lower Side Panel (5).
4. Insert 2 screws (D) through the holes on the Left Lower Side Panel (5) and tighten to Metal Connection Bar (A).
5. Repeat above steps to connect the Right Upper Side Panel (6) and Right Lower Side Panel (7).

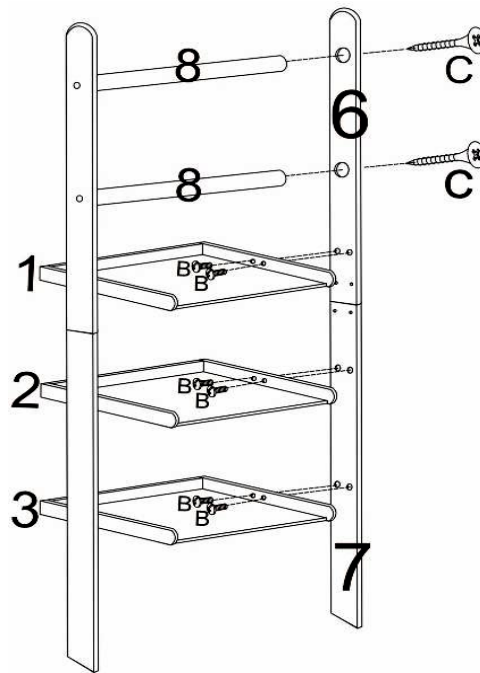
STEP 2



STEP-2:

1. Attach 2 Cross Bars (8) to pre-assembled left side panel (4,5) by inserting 2 Long Screws (C) through the holes on the Left Side Panel then tighten to Cross Bar (8).
2. Attach Top Shelf (1) to Left Side Panel by inserting 2 Screws (B) through the holes on the Top Shelf (1) then tighten to the Left Side Panel.
3. Repeat Step #2 to attach Second Shelf (2) and Third Shelf (3).

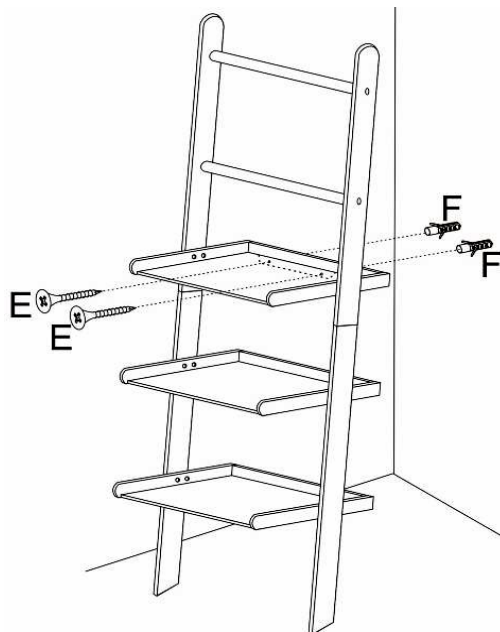
STEP 3



STEP-3:

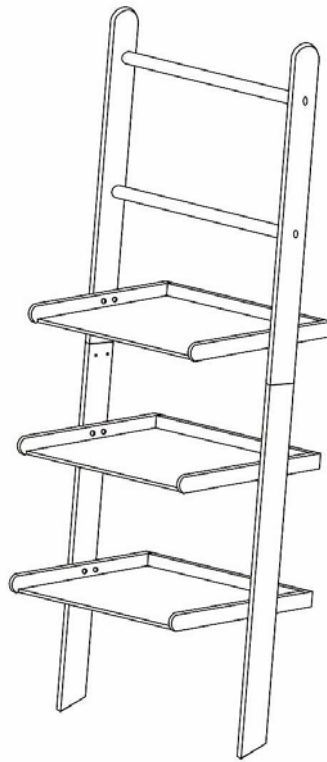
1. Attach 2 Cross Bars (8) to pre-assembled right side panel (6,7) by inserting 2 Long Screws (C) through the holes on the Right Side Panel then tighten to Cross Bar (8).
2. Attach Top Shelf (1) to Right Side Panel by inserting 2 screws (B) through the holes on the Top Shelf (1) then tighten to the Right Side Panel.
3. Repeat Step #2 to attach Second Shelf (2) and Third Shelf (3).

STEP 4



STEP-4:

1. Drill 2 holes on the wall using the holes in the Top Shelf (1) as a guide.
2. Insert 2 Plastic Anchors (F) into the holes on the wall.
3. Insert 2 Anchor Screws (E) through the holes on the Top Shelf (1) then tighten to the 2 Plastic Anchors (F).



ENJOY YOUR NEW RiverRidge® LADDER SHELF NOW !

Attention Adults: The cabinet should be checked periodically for damage or loose screws/parts. Take appropriate action necessary to correct the hazard such as tightening of screws and taking any damaged parts away from children.

Thank you for purchasing this RiverRidge® Home Products item. We hope you enjoy it, and consider purchasing other RiverRidge® items.

Send requests for missing or damaged parts replacements by email to :

customer.service@ssi-rr.com or call toll free 1-(844)-223-5201 or order parts on line at

www.riverridgehome.com

RiverRidge® is a registered trademark of Sourcing Solutions, Inc., Hudson, WI 54016.

